

VICINITY MAP
SCALE: NONE

SCOPE OF WORK

FSW WILL RELOCATE OR ADD SPRINKLER HEADS TO ACCOMMODATE THE NEW WALLS AND CEILINGS AT EXISTING SPACE.

EXCLUSIONS

- OFF HOURS AND TAXES.
- RELOCATION OF EXISTING PIPING.
- CEILING CUT AND PATCH.
- PAINTING OF ANY KIND.
- WIRING OF ANY KIND.
- REPLACE, REPAIR, OR MODIFICATION OF CEILING TILES.
- ABATEMENT OF ANY KIND.
- STRUCTURAL VERIFICATION IF REQUIRED.

TENANT IMPROVEMENT

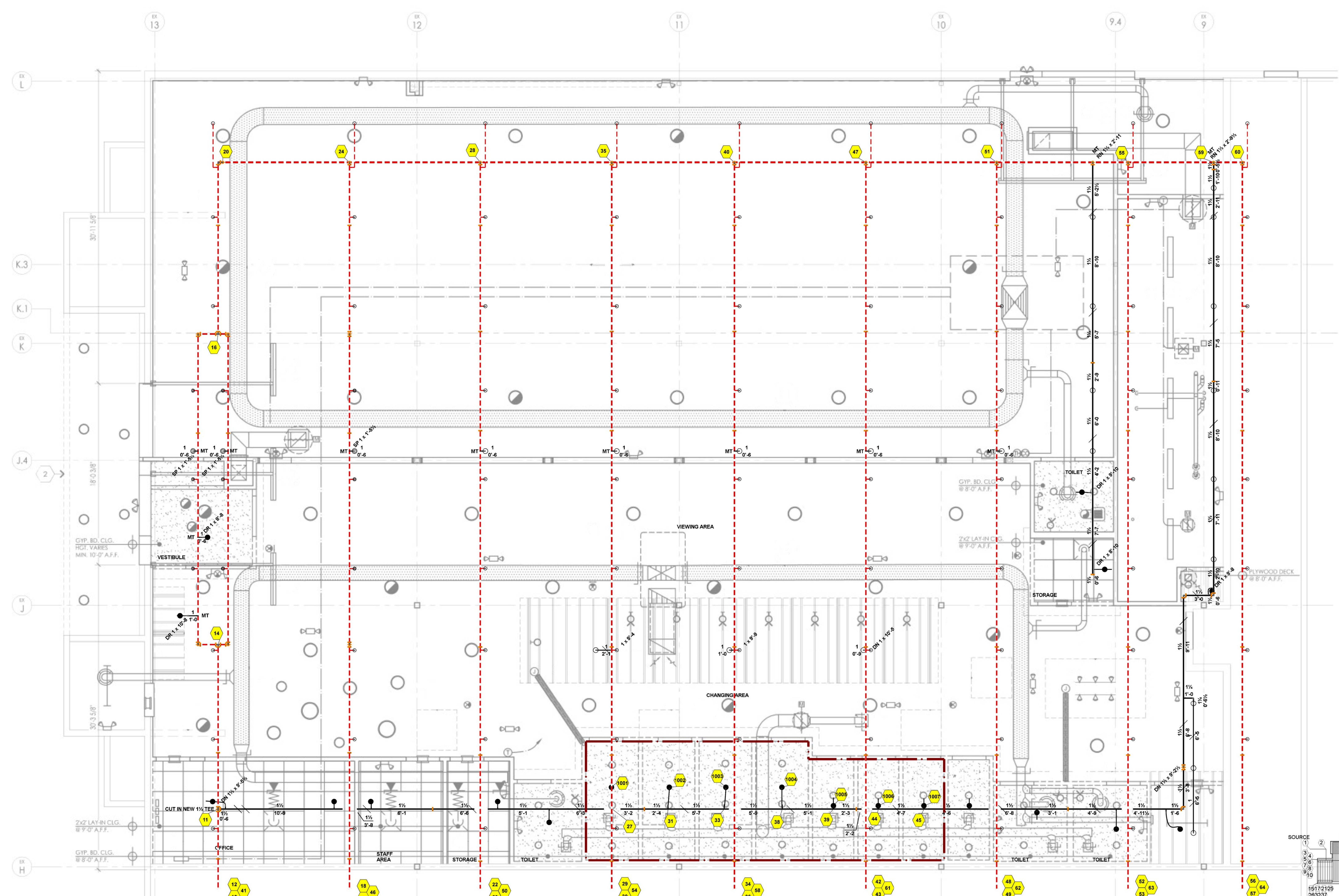
THIS PROJECT IS A TENANT IMPROVEMENT. THIS FACILITY HAS ALREADY BEEN PROTECTED BY A FIRE SPRINKLER SYSTEM. FIRE SYSTEMS WEST IS ASSESSING AND/OR RELOCATING SPRINKLER HEADS TO ACCOMMODATE THE NEW TENANT WALL, CEILING, LIGHTING AND HVAC LAYOUT. ALL WORK WILL BE DONE WITHOUT AFFECTING THE CAPABILITY OF THE EXISTING SYSTEM.

SYMBOL LEGEND

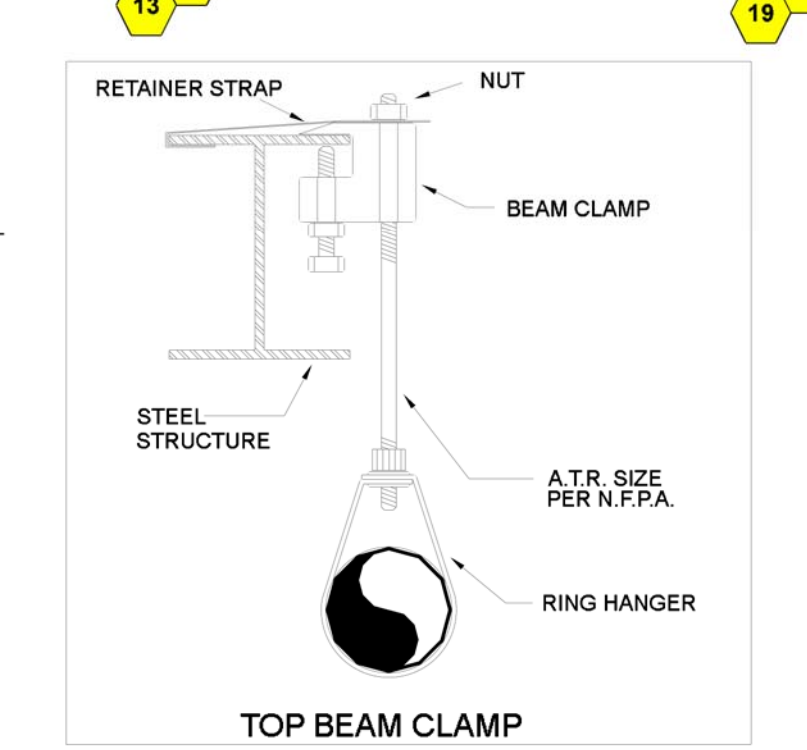
- DENOTES A SPRINKLER HEAD TO BE ADDED
- ⊗ DENOTES EXISTING SPRINKLER HEAD TO BE RE DEMO OR PLUGGED
- ⊙ INDICATES EXISTING SPRINKLER TO REMAIN
- MT MECHANICAL TEE
- REPRESENTS EXISTING SPRINKLER PIPE
- - - - REPRESENTS NEW SPRINKLER PIPE

WATERFLOW AVAILABILITY

STATIC: 55 PSI
RESIDUAL: 45 PSI
FLOW: 1000 GPM
ELEVATION: SITE
LOCATION: SITE
DATE: 7/10/22
INFORMATION PROVIDED BY: HYDRAULIC CALCULATIONS FROM EXISTING SYSTEM

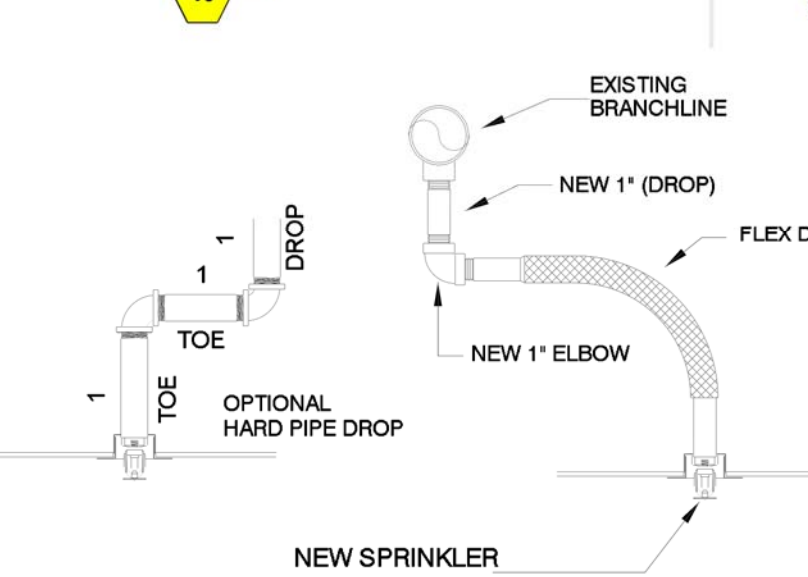


PARTIAL PLAN VIEW
SCALE: 1/4" = 1'-0"



Hydraulic Information

OCCUPANCY CLASSIFICATION	Light Hazard
DENSITY (gpm/ft ²)	0.10 for 1500ft ² (Actual 394ft ²)
TOTAL HOSE STREAMS	100.00
TOTAL HEADS FLOWING	7
K-FACTOR	5.6
TOTAL WATER REQUIRED	258.83
TOTAL PRESSURE REQUIRED	44.866
BASE OF RISER (gpm)	258.83
BASE OF RISER (psi)	44.866
SAFETY MARGIN (psi)	+8.435 (17.4%)



TYP. DROP DETAIL
SCALE: NONE

KEY PLAN
SCALE: NONE

WASHINGTON STATE
FIRE PROTECTION SPRINKLER SYSTEMS
Craig A. Miller
7919-0108-C Level 3
Fire Systems West, Inc.
FIRESW140B1
Expires 12/31/23
Signature: *Craig A. Miller*

BUILDING PERMIT #
CONTRACT NAME:
GOLDFISH
3500 SOUTH MERIDIAN UNIT 900-30
PUYALLUP, WA 98373
CONTRACT WITH:
WASHINGTON PATRIOT
PO BOX 339
GIG HARBOR, WA 98335
CONTACT: ZERAH FLORANCE
Phone: 253-853-2304 Fax:

HANGER LEGEND

A	U-HOOK	L	L-ROD
B	SUPER SCREW	M	WASHER PLATE
C	CONCRETE INSERT	N	
D	TOP BEAM CLAMP	P	POWDER DRIVEN STUD
E	HDI-P	R	WEDGE ANCHOR
F	CEILING FLANGE	T	TRAPEZE
G	SIDE BEAM BRACKET	U	
H	SIDEWINDER	X	
J	SHORT CLIP	Y	

SPRINKLER LEGEND

SPKR THRDS	SPRINKLER ORIFICE SIZES AND TYPE	UPRIGHT	PENDENT	TEE SIZE	SPRINKLERS - UP AND DOWN	SYMBOL	OPENING UP	OPENING DOWN
1/2"	3/8" 7/16" 1/2" SPRAY	○	●	1/2"	▲	▲	1"	1"
3/4"	17/32" SPRAY	○	●	1"	▲	▲	1"	1"
1/2"	3/8" 7/16" 1/2" SIDEWALL	○	●	1"	▲	▲	1/2"	1/2"
1"	1/2" DRY PEND	○	●	1"	▲	▲	200"	288"

SPRINKLER HEADS

SYMBOL	TYPE	MFG	MODEL	ORIFICE SIZE	THREAD SIZE	TEMP	FINISH	CANOPY	QUANTITY	MK	DATE	BY
○	SSU	TYCO	TY4131	8.0K	3/4"	155°	BRASS	NONE	21			
○	SSU ON SPRIG	TYCO	TY4131	8.0K	3/4"	155°	BRASS	NONE	3			
○	SSP	TYCO	TY323	5.6K	1/2"	155°	CHROME	CHROME	21			
TOTAL									45			

REVISIONS

NO.	DATE	BY	DESCRIPTION

APPROVALS REQUIRED:

AUTHORITY:	CITY OF PUYALLUP	DISTRIBUTION:	0
OWNER / ARCHITECT:		OWNER / ARCHITECT:	0
FIRE SYSTEMS WEST:		FIRE SYSTEMS WEST:	0

GENERAL NOTES

- ALL MATERIAL AND EQUIPMENT TO BE NEW AND UNDERWRITERS APPROVED.
- PIPING DIMENSIONS ARE CENTER TO CENTER EXCEPT RISER & DIMENSIONS SHOWN THUSLY (1") WHICH ARE END TO END.
- EARTHQUAKE BRACING SHALL BE PROVIDED IN ACCORDANCE WITH NFPA #13.
- PIPE HANGERS AND METHOD OF HANGING TO BE IN ACCORDANCE WITH NFPA #13.
- PIPING SHALL BE IN ACCORDANCE WITH NFPA #13.
- JOINING OF PIPE AND FITTINGS, THREADED AND WELDED SHALL BE IN ACCORDANCE WITH NFPA #13.
- OWNER TO PROVIDE ADEQUATE HEAT TO PREVENT WATER IN PIPES FROM FREEZING IN AREAS PROTECTED BY WET PIPE SPRINKLER SYSTEM.
- STRUCTURAL ADEQUACY OF THE BUILDING TO SUPPORT THE SPRINKLER PIPING IS THE RESPONSIBILITY OF THE OWNER OR HIS STRUCTURAL REPRESENTATIVE.

DESIGN CRITERIA AND NOTES

- ALL BRANCHLINE PIPING TO BE THREADED SCH 40 JOINED W/ CAST IRON FITTINGS (UNC).
- ALL NEW HANGERS TO BE PER HANGER DETAILS.
- ALL NEW HEADS AT ACCUSTICAL CEILING TO BE ON FLEX DROP FITTINGS.
- ALL NEW CONNECTIONS TO EXISTING PIPE TO BE MADE WITH MECHANICAL TEE (UNC).

Fire Systems West
206 Frontage Road North, Suite C
Pacific, WA, 98047
(253) 833-1248 Fax: (253) 735-0113

WA CL# FIRESW140B1

Q.C. FAB BY:	DESIGNER:	DATE:	Q.C. INSTALL BY:	JOB NUMBER:	SHEET:
KEVIN RIDER	KEVIN RIDER	02/13/23		2-11-12042	1 OF 1