

FIRE ALARM LEGEND						
NEW	EXIST	SYMBOL	DESCRIPTION	MANUFACTURER	PART #	MOUNTING
1	0	[BPSx]	BOOSTER POWER SUPPLY	POTTER	PSN-106	SELF CONTAINED
3	7	ⓐ	ADDRESSABLE SMOKE DETECTOR AC - INDICATES DEVICE MOUNTED ABOVE CEILING	FARENHYT	IDP-PHOTO-W W/B300-6 BASE	4" SQ DEEP W/SINGLE GANG MUD RING
0	2	ⓧ	STROBE - WALL MOUNT XX - INDICATES DEVICE CANDELA SETTING	SYSTEM SENSOR	SW	4 SQ DEEP
5	0	ⓧ	STROBE - CEILING MOUNT XX - INDICATES DEVICE CANDELA SETTING	SYSTEM SENSOR	SCWL	4 SQ DEEP
0	1	ⓧ	SPEAKER/STROBE - WALL MOUNT W - INDICATES WIRE MOUNT / cd - INDICATES DEVICE CANDELA SETTING	SYSTEM SENSOR	SPSW	4 SQ DEEP
		R	DENOTES EXISTING DEVICE RELOCATED			
		EX	DENOTES EXISTING DEVICE			
		EOL	END OF LINE DEVICE			

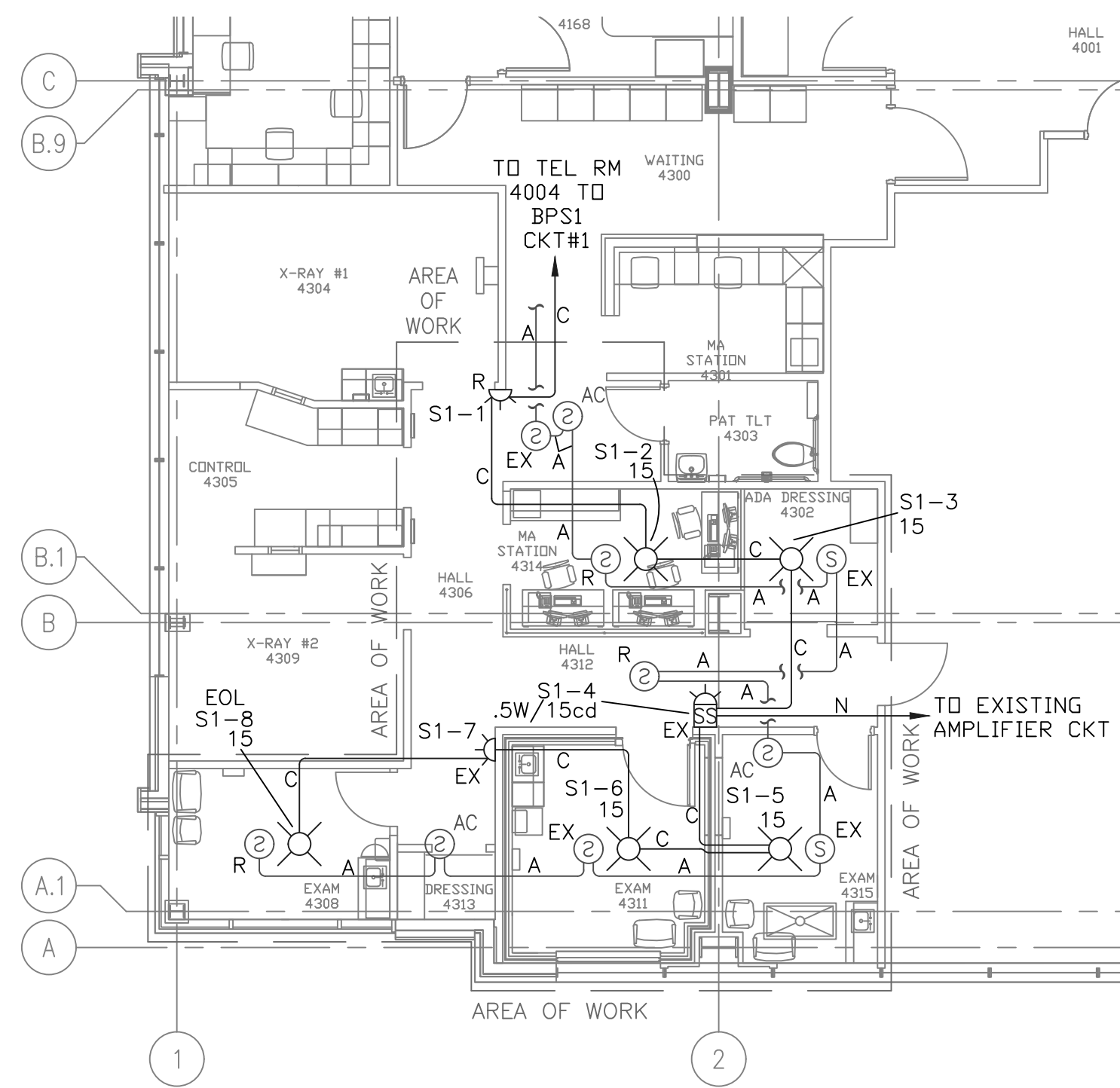
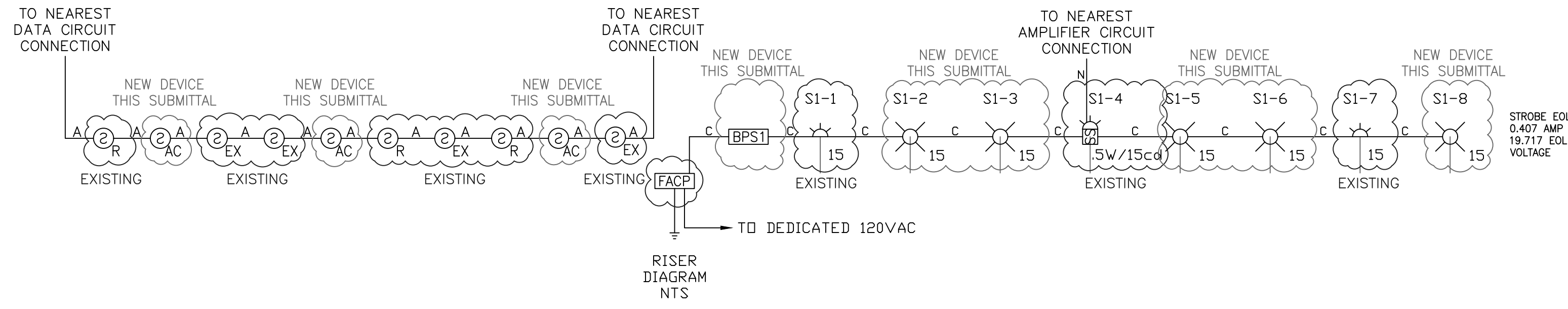
- SCOPE OF WORK:**
- 1) RELOCATE 3EA EXISTING SMOKE DETECTORS 4EA SMOKE DETECTORS TO REMAIN IN PLACE
 - 2) ADD 3EA NEW DETECTORS TO THE EXISTING SYSTEM
 - 3) ADD 1EA BOOSTER POWER SUPPLY TO POWER THE VISUAL DEVICES FOR THIS TENANT IMPROVEMENT AREA
 - 4) EXISTING 1EA SPEAKER/STROBE TO REMAIN IN PLACE
 - 5) INSTALL 5EA NEW STROBES IN THIS TENANT IMPROVEMENT AREA

WIRE LEGEND	
A	= 18-2 FPLP ADDRESSABLE INITIATING CKT
B	= 18-2 X 2 FPLP ADDRESSABLE INITIATING CKT LOOP
C	= 14-2 FPLP INDICATING CKT
D	= 14-2 X 2 FPLP INDICATING CKT LOOP
E	= 18-2 FPLP CONVENTIONAL INITIATING CKT
F	= 18-2 X 2 FPLP CONVENTIONAL INITIATING CKT LOOP
G	= 14-2 FPLP 24VDC POWER CKT
H	= 18-4 FPLP P-LINK CKT
I	=
J	= 18-4 FPLP ANNUNCIATOR CKT
K	= 18-2 FPLP CONTROL CKT
L	= 18-4 FPLP REMOTE TEST STATION CKT

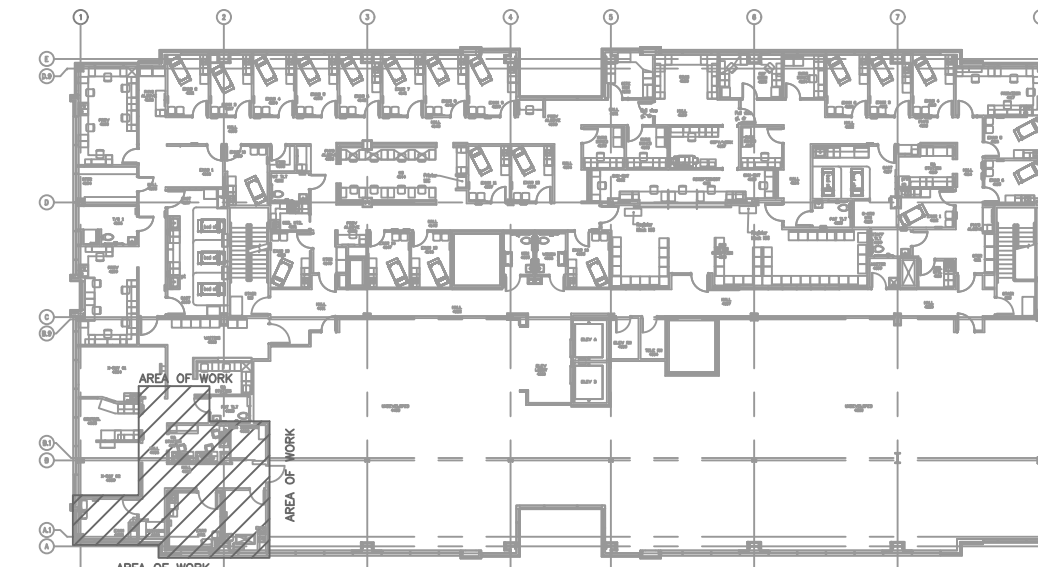
GSMOB 4TH FI TI Potter PSN-106 Booster Power Supply					
Current Load:		Standby:		Alarm:	
Device Type	Quantity	Amps	Total	Amps	Total
Main System Board	1	0.075	0.075	0.075	0.075
Sw Wall Strobe 15cd	2		0.071	0.142	
SCWL Ceiling Strobe 15cd	5		0.041	0.205	
SPSW Wall Speaker/Strobe 15cd	1		0.060	0.060	
Total Panel Loads:			0.075 Amps	0.482 Amps	
Standby Current Load:		0.075 Amps	For 24 Hours = 1,800 Amp-hours		
Alarm Current Load:		0.482 Amps	For 5 Minutes = 0.040 Amp-hours		
			20% Derating = 2,209 Amp-hours		
Total System Current Load:			2,209 Amp-hours		
Battery Pair to be Used:		12VDC	Amp-hours	7AH	

Voltage Drop Chart GSMOB 4TH FI TI						
Panel	Circuit	Area	Total Wire Length	Amps	Voltage Drop	EOL Voltage
BPS #1	S1	GSMOB 3rd FI TI	526	0.407	0.683	19.717
BPS #1	S2	Spare	0	0.000	0.000	20.400
BPS #1	S3	Spare	0	0.000	0.000	20.400
BPS #1	S4	Spare	0	0.000	0.000	20.400
BPS #1	S5	Spare	0	0.000	0.000	20.400
BPS #1	S6	Spare	0	0.000	0.000	20.400

SEQUENCE OF OPERATIONS	MANUAL PULL STATION	SMOKE DETECTION	ELEVATOR MACHINE RM/SHAFT SMOKE DET.	MAIN FLOOR ELEV. LOBBY SMOKE DET.	OTHER FLOOR ELEV. LOBBY SMOKE DET.	HEAT DETECTION	DUCT SMOKE DETECTION	WET FLOW SWITCH	DRY FLOW SWITCH	H-LOW AIR	DRY TAMPER SWITCH	WET TAMPER SWITCH	POST INDICATOR VALVE	SYSTEM TROUBLE
ACTIVATION OF LOCAL ALARM AT FACP	X	X	X	X	X	X	X	X	X	X	X	X	X	X
INDICATION OF ALARM AT LCD ANNUNCIATOR	X	X	X	X	X	X	X	X	X	X	X	X	X	X
ACTIVATE ALL AUDIBLE & VISIBLE DEVICES	X	X	X	X	X	X	X	X	X	X	X	X	X	X
SHUT DOWN RESPECTIVE HVAC UNIT								X						
INITIATE ELEV. RECALL TO MAIN FLOOR						X								
INITIATE ELEV. RECALL TO ALTERNATE FLOOR			X	X	X	X								
TRANSMIT ALARM SIGNAL TO CENTRAL STATION	X	X	X	X	X	X	X	X	X	X	X	X	X	X
TROUBLE/SUPV. INDICATION AT FACP								X		X	X	X	X	X
TROUBLE/SUPV. INDICATION AT LCD ANNUNCIATOR								X		X	X	X	X	X
TRANSMIT TROUBLE/SUPV. SIGNAL TO CENTRAL STATION								X		X	X	X	X	X



FIRE ALARM FLOOR PLAN
SCALE: 1/8"=1'-0"



SITE PLAN
SCALE: NTS



SITE MAP
SCALE: NTS

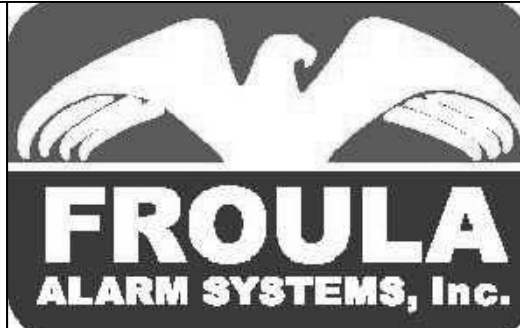
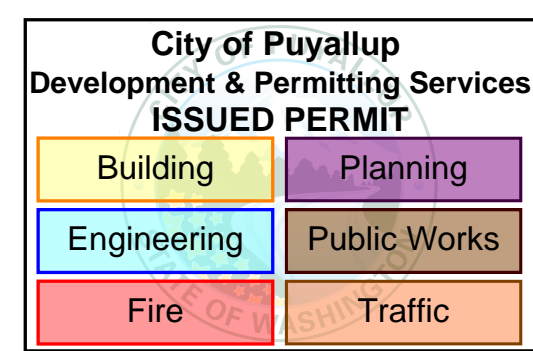
City of Puyallup
Fire REVIEWED FOR COMPLIANCE

DDrake
02/13/2023
8:06:48 AM



THE APPROVED CONSTRUCTION PLANS AND ALL ENGINEERING MUST BE POSTED ON THE JOB AT ALL INSPECTIONS IN A VISIBLE AND READILY ACCESSIBLE LOCATION.

Approval of submitted plans is not an approval of omissions or oversight by this office or noncompliance with any applicable regulations of local government. The contractor is responsible for making sure that the building complies with all applicable building codes and regulations of the local government.



Froula Alarm Systems, Inc.
861 Industry Drive
Tukwila, WA 98188
206-575-1962

FIRE ALARM SYSTEM
GSMOB - 4TH FLOOR
ORTHOPEDICS & SPORTS MEDICINE CLINIC TENANT IMPROVEMENT
1450 - 5TH STREET SE
PUYALLUP, WASHINGTON 98372

REV	DATE	DESCRIPTION
	12-23-22	PERMIT DRAWINGS

PROJ. MGR.: Andrew Earle
DRAFTER: HEW

FA-1
SHEET NO.
1 OF 1