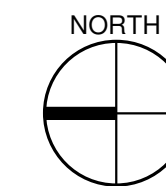


OVERALL SITE PLAN - PHASE I

1" = 50'-0"



BUILDING 'A' UNITS

UNIT TYPE	NET AREA	COUNT
BUILDING 'A'		
1 BED / 1 BATH	683 SF	20
		20

BUILDING 'B' UNITS

UNIT TYPE	NET AREA	COUNT
BUILDING 'B'		
1 BED / 1 BATH	683 SF	22
		22

BUILDING 'C' UNITS

UNIT TYPE	NET AREA	COUNT
BUILDING 'C'		
1 BED / 1 BATH	683 SF	10
1 BED / 1 BATH ADA	683 SF	2
2 BED / 2 BATH	899 SF	12
		24

BUILDING 'D' UNITS

UNIT TYPE	NET AREA	COUNT
BUILDING 'D'		
3 BED / 2 BATH	1,121 SF	10
3 BED / 2 BATH ADA	1,121 SF	2
		12

BUILDING 'E' UNITS

UNIT TYPE	NET AREA	COUNT
BUILDING 'E'		
1 BED / 1 BATH	683 SF	21
1 BED / 1 BATH ADA	683 SF	1
		22

BUILDING 'F' UNITS

UNIT TYPE	NET AREA	COUNT
BUILDING 'F'		
2 BED / 2 BATH	899 SF	12
3 BED / 2 BATH	1,121 SF	12
		24

BUILDING 'G' UNITS

UNIT TYPE	NET AREA	COUNT
BUILDING 'G'		
3 BED / 2 BATH	1,121 SF	12
		12

BUILDING 'H' UNITS

UNIT TYPE	NET AREA	COUNT
BUILDING 'H'		
1 BED / 1 BATH	683 SF	12
2 BED / 1 BATH	868 SF	6
		18

BUILDING 'J' UNITS

UNIT TYPE	NET AREA	COUNT
BUILDING 'J'		
1 BED / 1 BATH	683 SF	12
2 BED / 2 BATH	899 SF	10
2 BED / 2 BATH ADA	899 SF	2
		24

BUILDING 'K' UNITS

UNIT TYPE	NET AREA	COUNT
BUILDING 'K'		
2 BED / 1 BATH	868 SF	20
		20

BUILDING 'L' UNITS

UNIT TYPE	NET AREA	COUNT
BUILDING 'L'		
2 BED / 1 BATH	868 SF	12
2 BED / 2 BATH	899 SF	12
		24

BUILDING 'M' UNITS

UNIT TYPE	NET AREA	COUNT
BUILDING 'M'		
2 BED / 1 BATH	868 SF	12
2 BED / 2 BATH	899 SF	10
2 BED / 2 BATH ADA	899 SF	2
		24

BUILDING 'N' UNITS

UNIT TYPE	NET AREA	COUNT
BUILDING 'N'		
3 BED / 2 BATH	1,121 SF	12
		12

BUILDING 'P' UNITS

UNIT TYPE	NET AREA	COUNT
BUILDING 'P'		
3 BED / 2 BATH	1,121 SF	10
3 BED / 2 BATH ADA	1,121 SF	2
		12

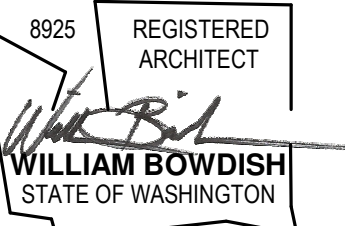
BUILDING 'Q' UNITS

UNIT TYPE	NET AREA	COUNT
BUILDING 'Q'		
1 BED / 1 BATH	683 SF	10
1 BED / 1 BATH ADA	683 SF	2
2 BED / 2 BATH	899 SF	8
		20

PRCTI20230129

R D + A

ROSS DECKMAN & ASSOCIATES INC.
 207 FOURTH AVENUE SOUTHEAST
 PUYALLUP, WASHINGTON 98372
 PHONE: 253.840.9405
 FAX: 253.840.9503

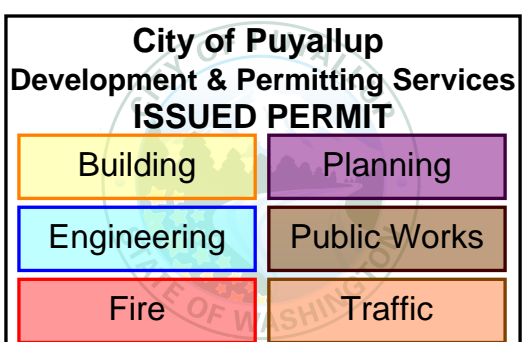


AGENCY REVIEW
 09/14/2021

PROJECT
**MERIDIAN POINTE APARTMENTS
 RESIDENTIAL UNIT REHABILITATION**
 407 VALLEY AVE. N.E.
 PUYALLUP, WA 98372
OVERALL SITE PLAN - PHASE I

#	DATE	DESC.

APPROVAL STAMPS



JOB NO.: 1922
 ISSUE DATE: 09/14/2021
 REVISED:
 DRAWN BY: BM
 SHEET

A-100

9/14/2021 9:47:51 AM

#	DESC.	DATE

APPROVAL STAMPS

City of Puyallup
Development & Permitting Services
ISSUED PERMIT

Building	Planning
Engineering	Public Works
Fire	Traffic

JOB NO.:	1922
ISSUE DATE:	09/14/2021
REVISED:	
DRAWN BY:	BM
SHEET	

BUILDING 'J' UNITS

UNIT TYPE	NET AREA	COUNT
BUILDING 'J'		
1 BED / 1 BATH	683 SF	12
2 BED / 2 BATH	899 SF	10
2 BED / 2 BATH ADA	899 SF	2
		24

BUILDING 'P' UNITS

UNIT TYPE	NET AREA	COUNT
BUILDING 'P'		
3 BED / 2 BATH	1,121 SF	10
3 BED / 2 BATH ADA	1,121 SF	2
		12

BUILDING 'Q' UNITS

UNIT TYPE	NET AREA	COUNT
BUILDING 'Q'		
1 BED / 1 BATH	683 SF	10
1 BED / 1 BATH ADA	683 SF	2
2 BED / 2 BATH	899 SF	8
		20

BUILDING 'R' UNITS

UNIT TYPE	NET AREA	COUNT
BUILDING 'R'		
1 BED / 1 BATH	683 SF	10
1 BED / 1 BATH ADA	683 SF	2
2 BED / 2 BATH	899 SF	12
		24

BUILDING 'S' UNITS

UNIT TYPE	NET AREA	COUNT
BUILDING 'S'		
1 BED / 1 BATH	683 SF	11
1 BED / 1 BATH ADA	683 SF	1
2 BED / 2 BATH	899 SF	11
2 BED / 2 BATH ADA	899 SF	1
		24

BUILDING 'T' UNITS

UNIT TYPE	NET AREA	COUNT
BUILDING 'T'		
2 BED / 1 BATH	868 SF	12
2 BED / 2 BATH	899 SF	10
2 BED / 2 BATH ADA	899 SF	2
		24

BUILDING 'U' UNITS

UNIT TYPE	NET AREA	COUNT
BUILDING 'U'		
2 BED / 1 BATH	868 SF	12
2 BED / 2 BATH	899 SF	10
2 BED / 2 BATH ADA	899 SF	2
		24

BUILDING 'V' UNITS

UNIT TYPE	NET AREA	COUNT
BUILDING 'V'		
2 BED / 1 BATH	868 SF	12
2 BED / 2 BATH	899 SF	10
2 BED / 2 BATH ADA	899 SF	2
		24

BUILDING 'W' UNITS

UNIT TYPE	NET AREA	COUNT
BUILDING 'W'		
3 BED / 2 BATH	1,121 SF	12
		12

BUILDING 'X' UNITS

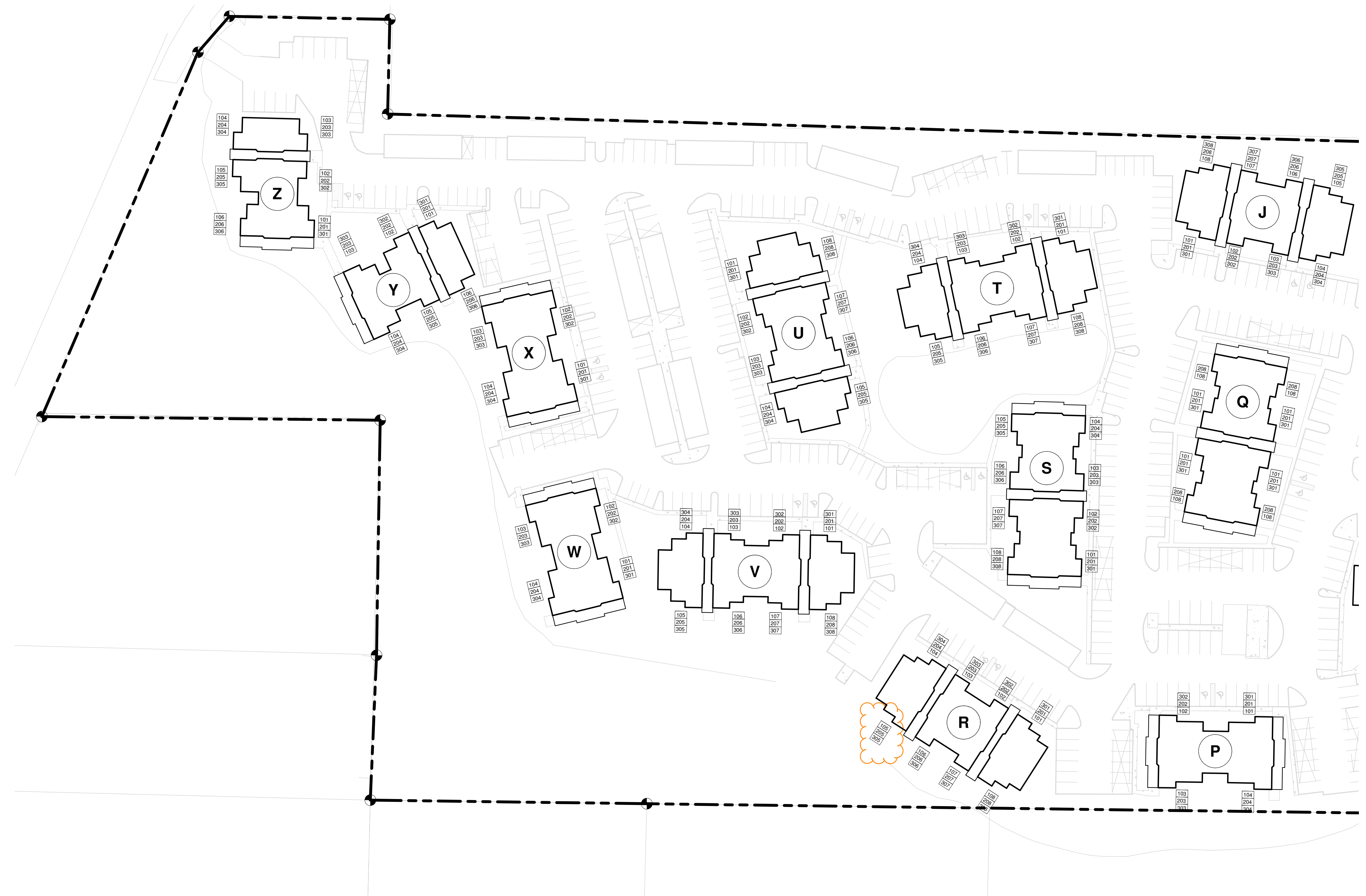
UNIT TYPE	NET AREA	COUNT
BUILDING 'X'		
3 BED / 2 BATH	1,121 SF	11
3 BED / 2 BATH ADA	1,121 SF	1
		12

BUILDING 'Y' UNITS

UNIT TYPE	NET AREA	COUNT
BUILDING 'Y'		
1 BED / 1 BATH	683 SF	12
2 BED / 1 BATH	868 SF	6
		18

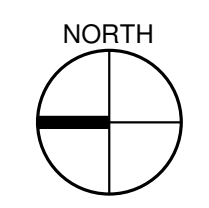
BUILDING 'Z' UNITS

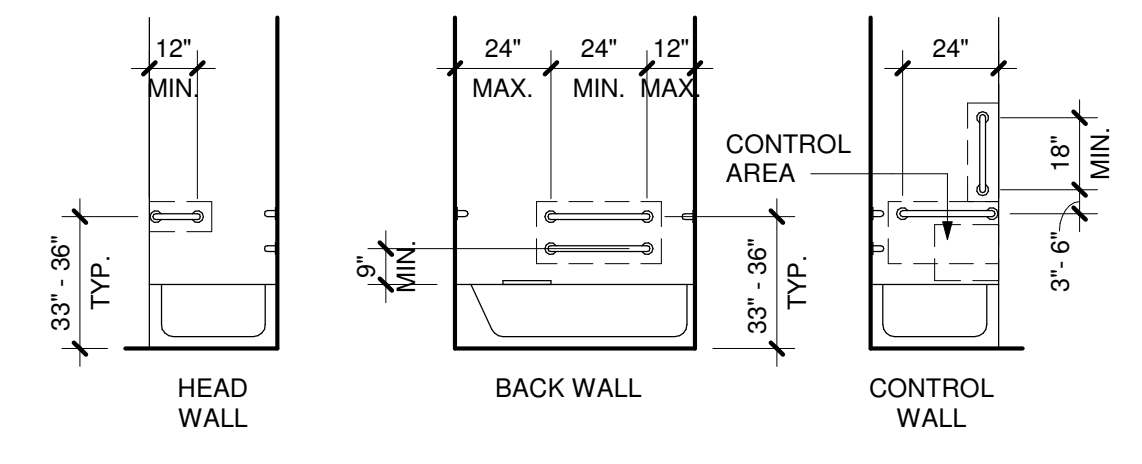
UNIT TYPE	NET AREA	COUNT
BUILDING 'Z'		
1 BED / 1 BATH	683 SF	12
2 BED / 1 BATH	868 SF	6
		18



OVERALL SITE PLAN - PHASE II

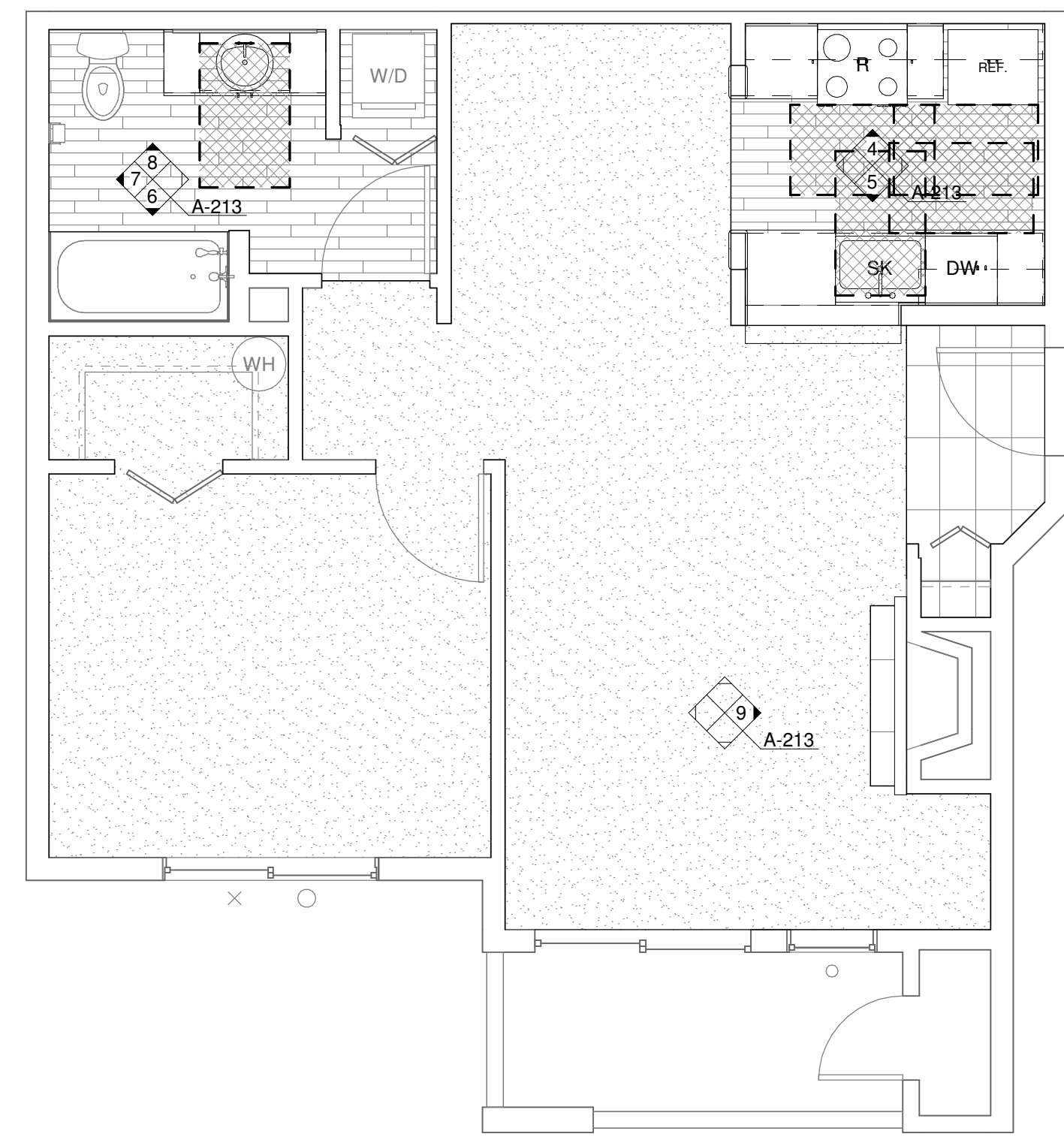
1" = 50'-0"



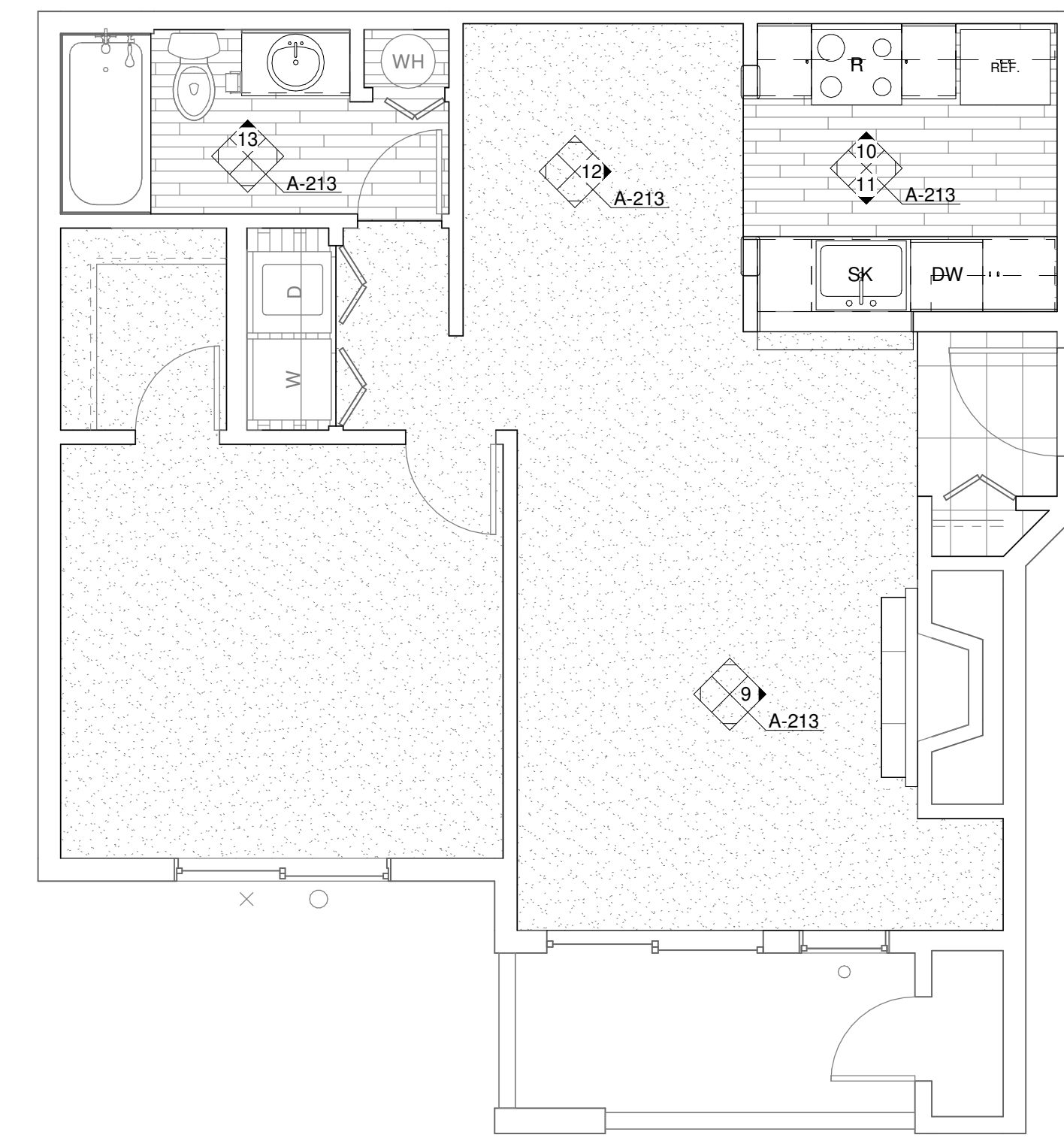


GRAB BARS:
INSTALL GRAB BARS 33" MIN & 36" MAX AFF.
GRAB BARS SHALL COMPLY WITH AND MEET
THE STRUCTURAL STRENGTH REQUIREMENTS
OF ANSI SEC. 609.8. LOCATE GRAB BARS PER
ANSI SEC. 607.4.2.
SEAT:
A REMOVABLE SEAT IS NOT REQUIRED PER
ANSI SEC. 1003.11.2.5.1 EX.1.
CONTROLS:
607.5 CONTROLS, OTHER THAN DRAIN
STOPPERS, SHALL BE PROVIDED ON AN END
WALL, LOCATED BETWEEN THE BATHTUB RIM
AND GRAB BAR, AND BETWEEN THE OPEN SIDE
OF THE BATHTUB AND THE CENTERLINE OF THE
WIDTH OF THE BATHTUB. CONTROLS SHALL
COMPLY WITH SECTION 309.4. THE ADJUSTABLE
HEIGHT HAND SHOWER SHALL INCLUDE A 59"
MIN LONG HOSE AND COMPLY WITH ANSI SEC.
607.6. CONTROLS SHALL NOT OBSTRUCT THE
USE OF GRAB BARS.

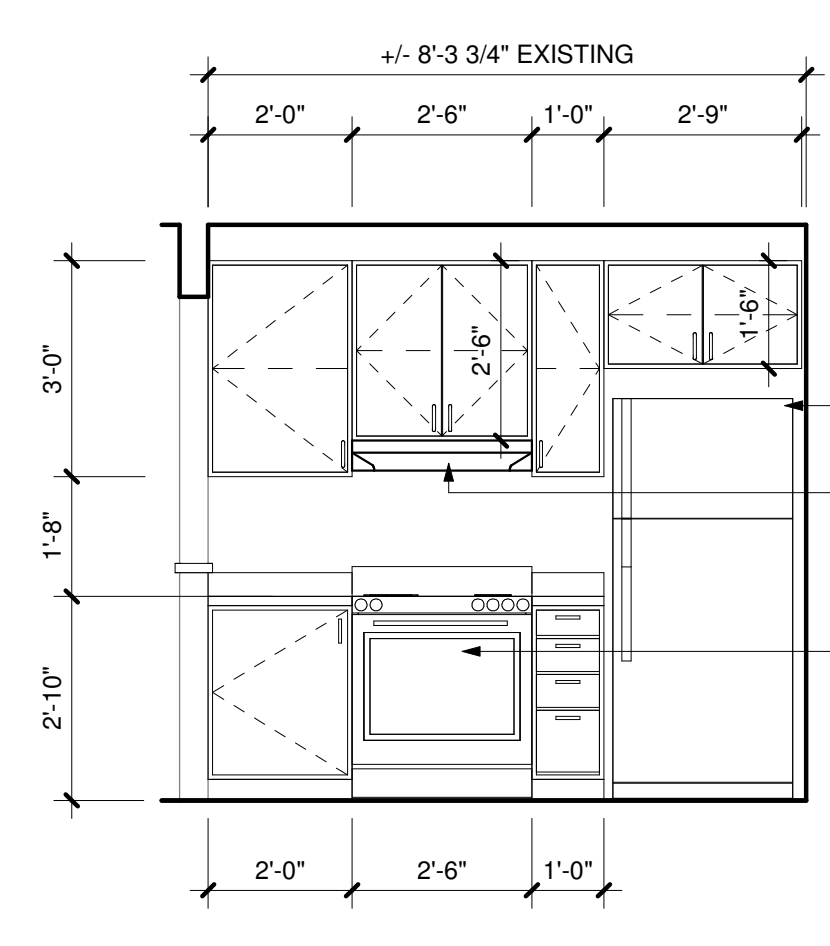
1 BATHTUB REQUIREMENTS
1/4" = 1'-0"



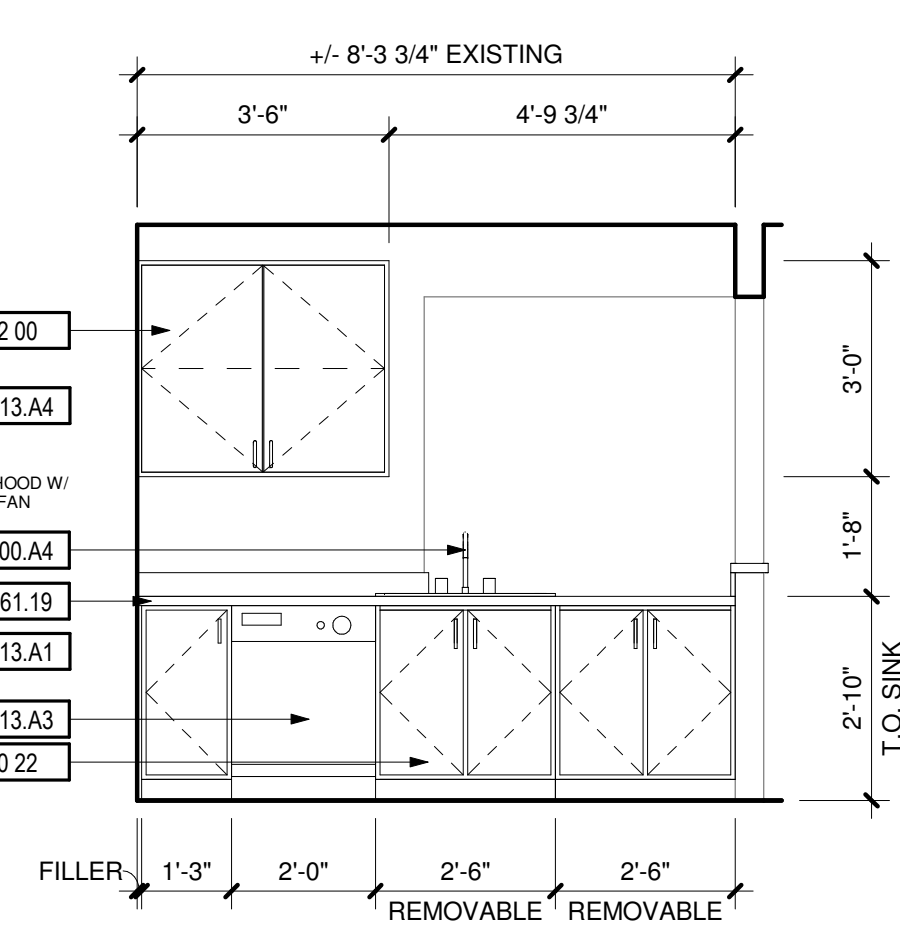
2 ENLARGED UNIT PLAN - 1 BED/1 BATH (ADA)
1/4" = 1'-0"



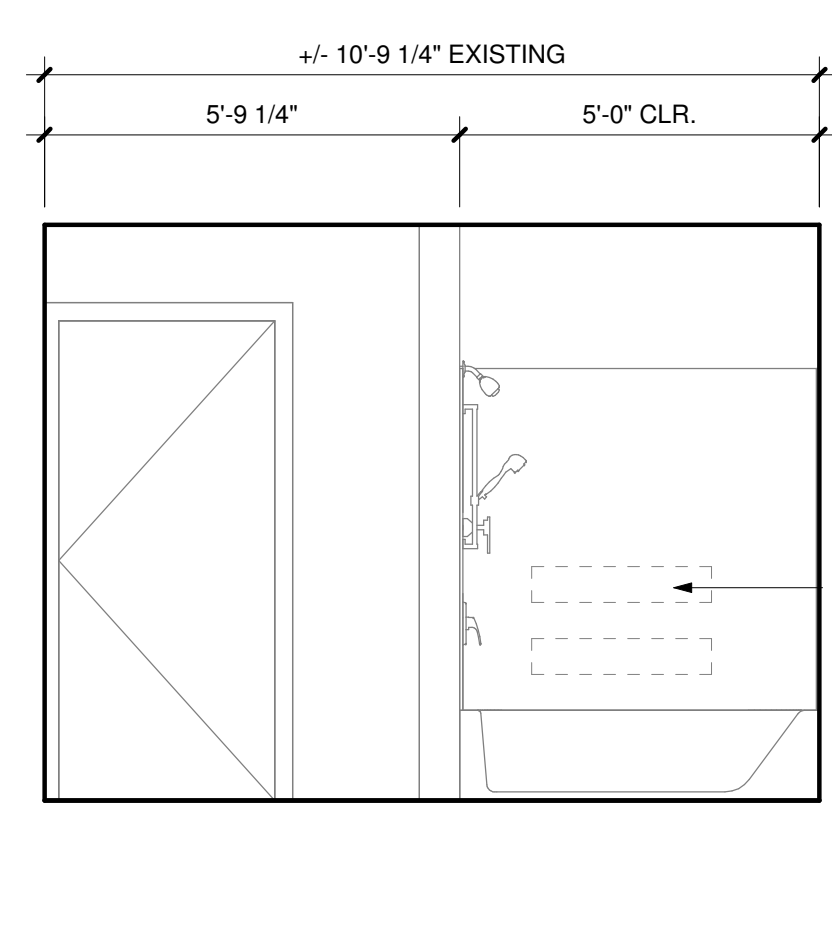
3 ENLARGED UNIT PLAN - 1 BED/1 BATH (TYP)
1/4" = 1'-0"



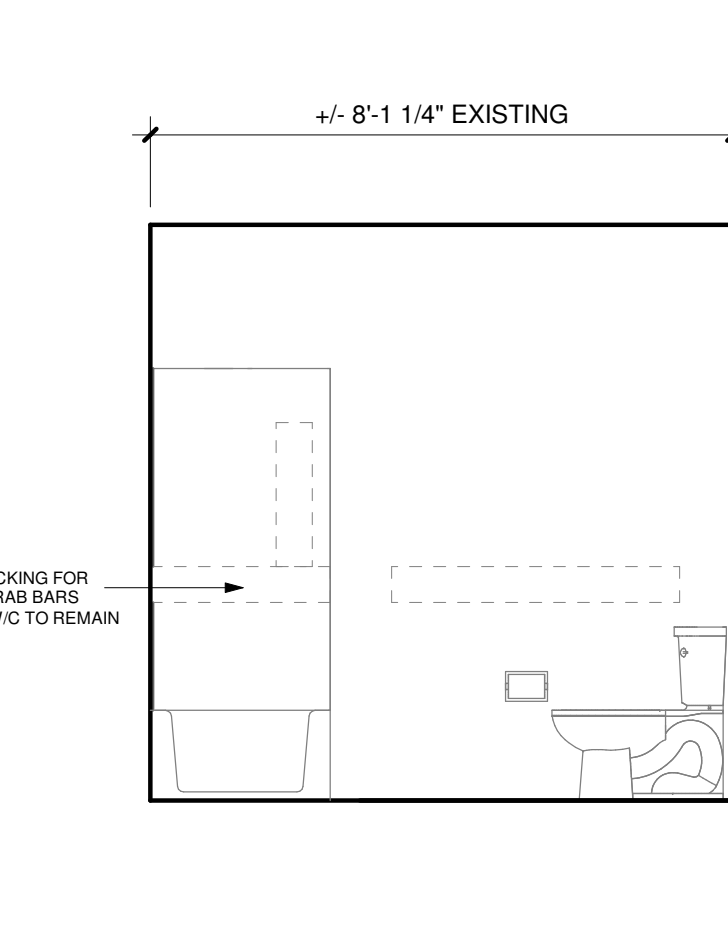
4 KITCHEN (ADA)
3/8" = 1'-0"



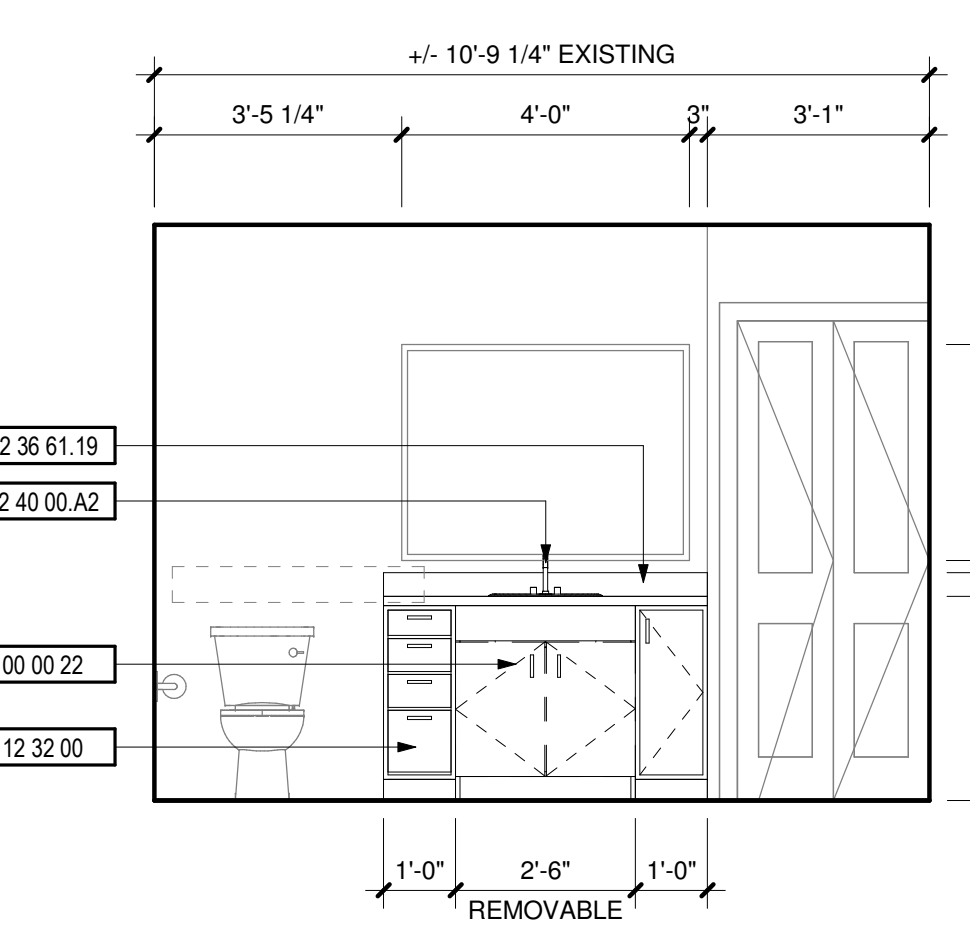
5 KITCHEN (ADA)
3/8" = 1'-0"



6 BATHROOM (ADA)
3/8" = 1'-0"



7 BATHROOM (ADA)
3/8" = 1'-0"



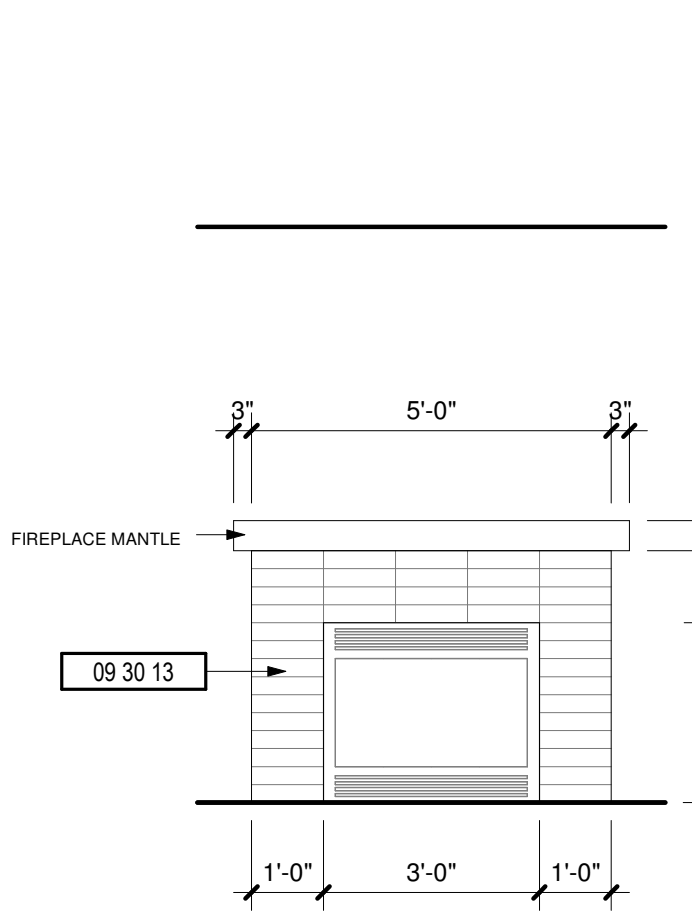
8 BATHROOM (ADA)
3/8" = 1'-0"

DEMOLITION NOTES

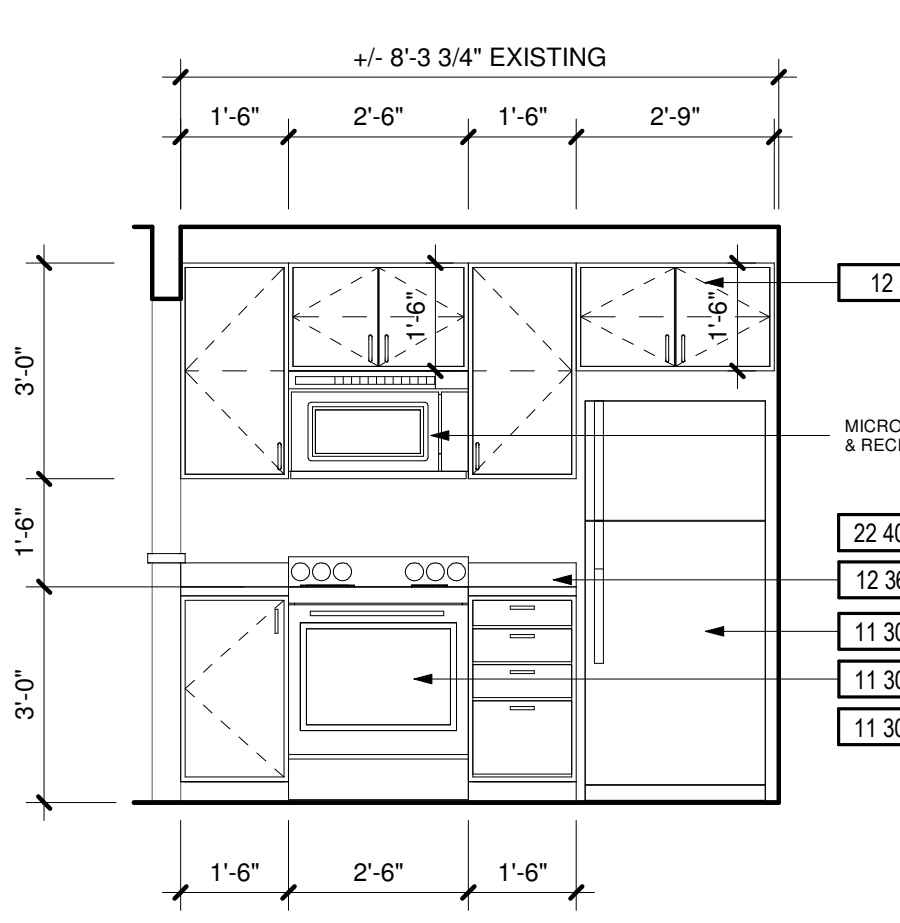
Table with 2 columns: # and DESCRIPTION. Includes items like 'REPLACE ALL EXISTING FLOORING & BASE AND FIREPLACE HEARTH', 'DEMO ALL EXISTING UPPER & LOWER CABINETS', etc.

KEYNOTES

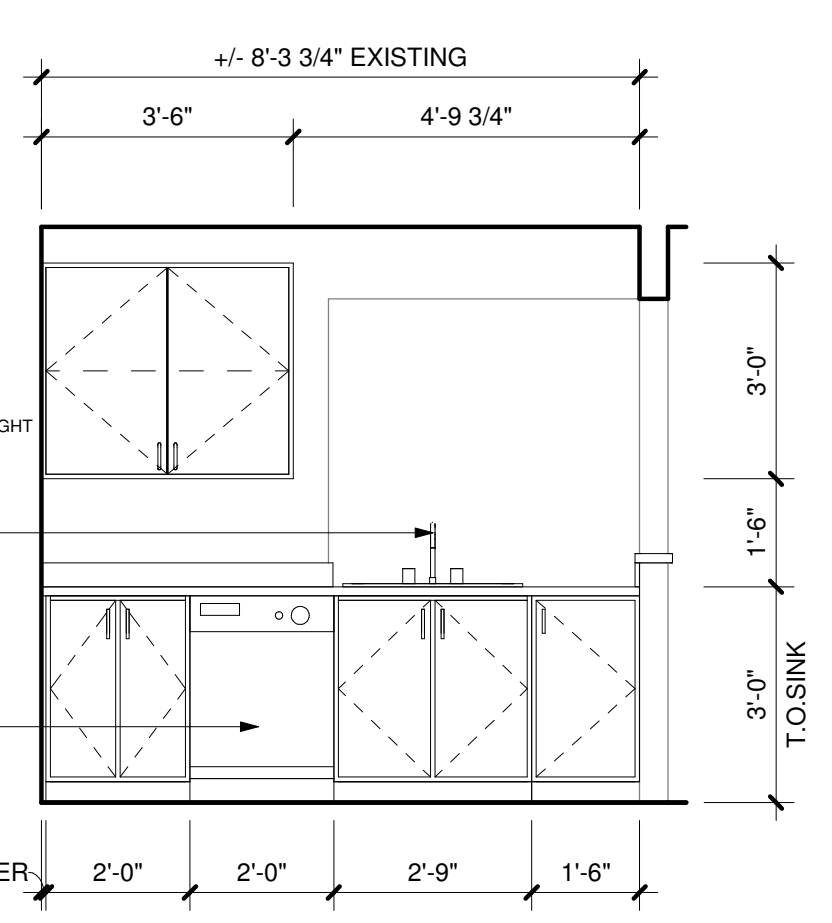
Table with 2 columns: # and DESCRIPTION. Includes items like 'REMOVABLE CABINET, EXTEND FLOORING TO WALL AT BACK OF EACH REMOVABLE CABINET', 'CERAMIC TILING', etc.



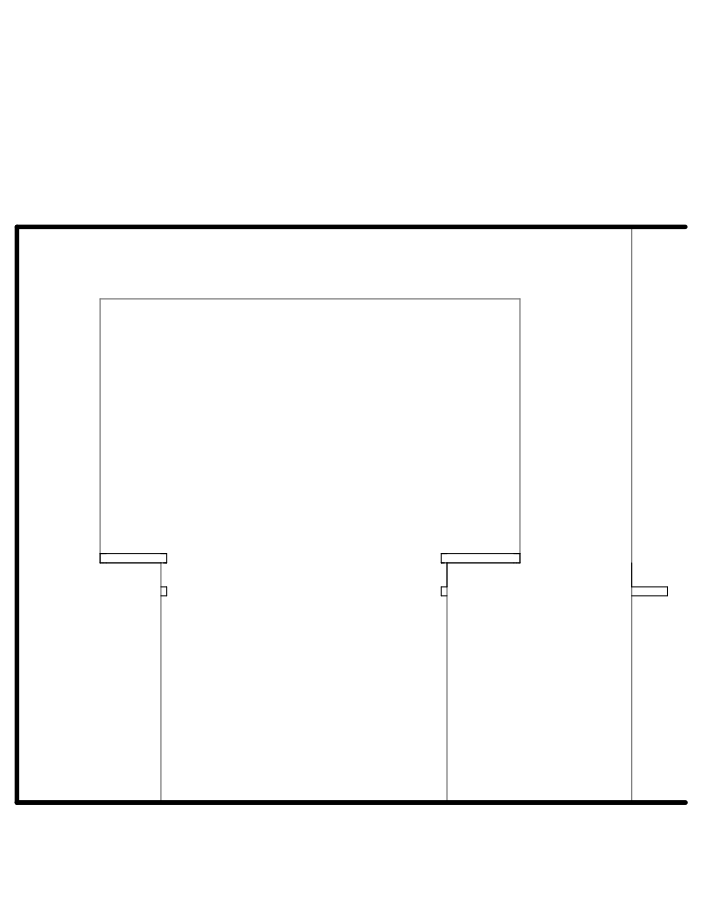
9 FIREPLACE
3/8" = 1'-0"



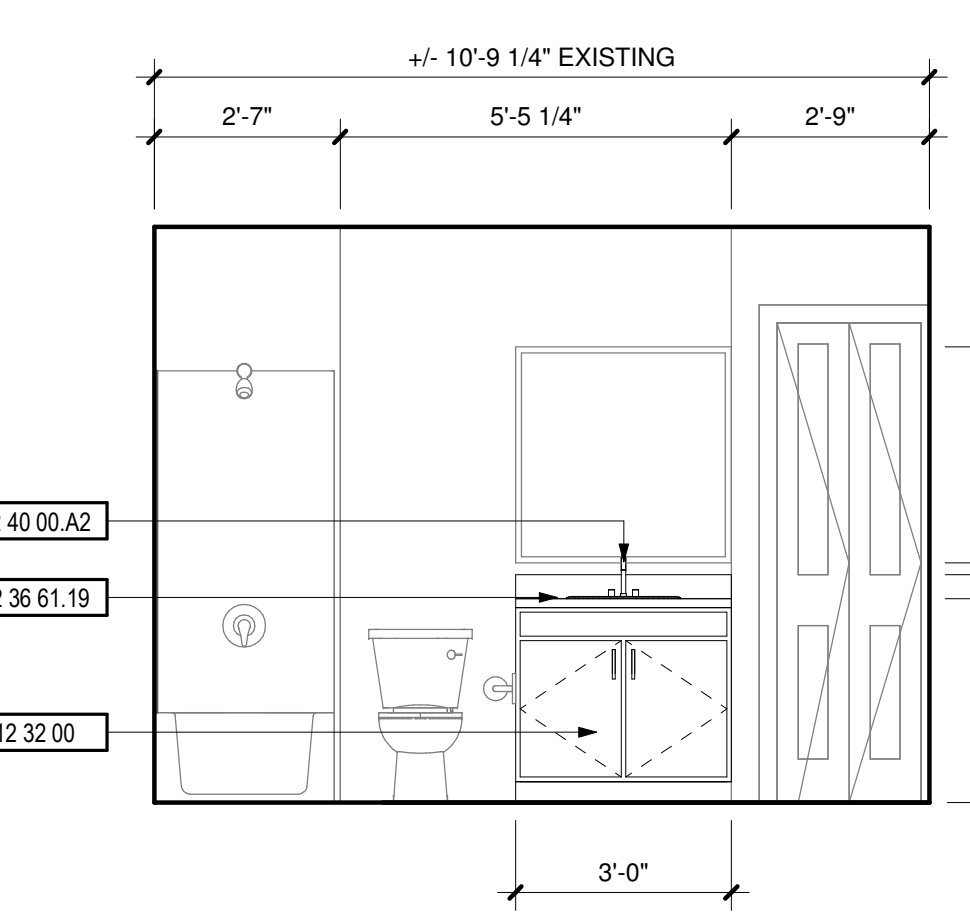
10 KITCHEN
3/8" = 1'-0"



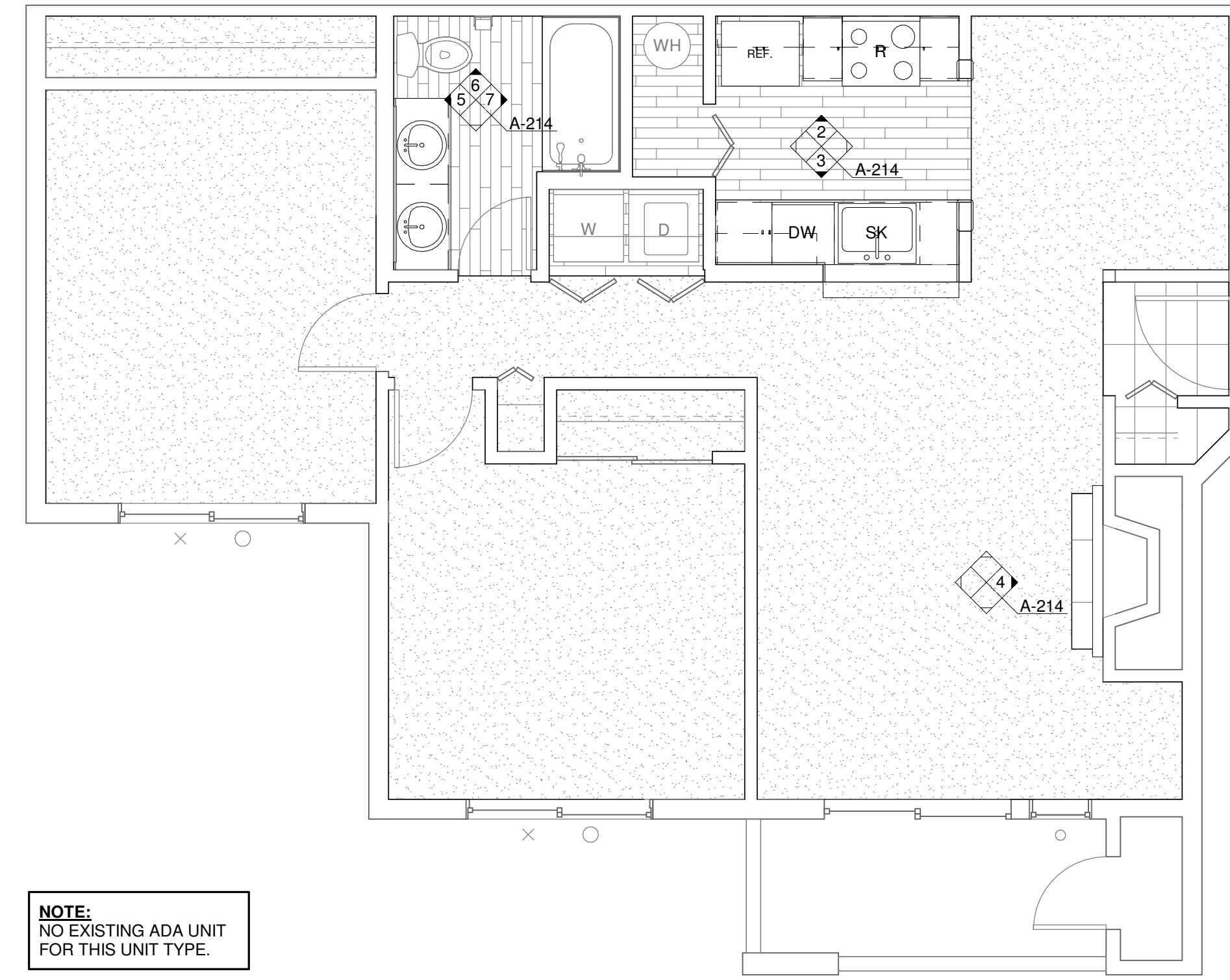
11 KITCHEN
3/8" = 1'-0"



12 DINING ROOM
3/8" = 1'-0"

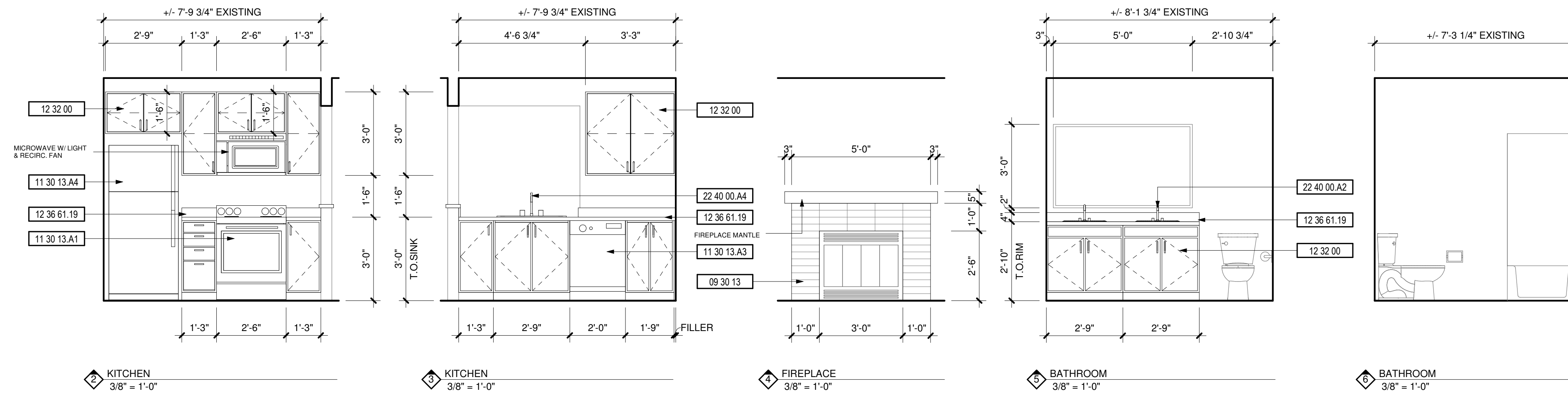


13 BATHROOM
3/8" = 1'-0"



NOTE:
 NO EXISTING ADA UNIT
 FOR THIS UNIT TYPE.

1 ENLARGED UNIT PLAN - 2 BED/1 BATH (TYP)
 1/4" = 1'-0"



DEMOLITION NOTES

#	DESCRIPTION
1	REPLACE ALL EXISTING FLOORING & BASE AND FIREPLACE HEARTH. PREP FOR NEW FINISH AS REQUIRED.
2	DEMO ALL EXISTING UPPER & LOWER CABINETS AND PLUMBING FIXTURE AT KITCHEN. ALL EXISTING APPLIANCES TO BE REMOVED. PREP WALL AND FLOOR FOR NEW FINISHES.
3	REPLACE EXISTING LIGHT FIXTURES. PREP FOR NEW FIXTURE AS REQUIRED.
4	DEMO ALL EXISTING LOWER CABINET, PLUMBING FIXTURE & MIRROR. PREP FOR NEW FINISHES AS REQUIRED.
5	DEMO HALF WALL AND EXISTING COUNTER TO ACCOMMODATE NEW COUNTER.
6	MEDICINE CABINET TO BE REMOVED AND REPLACED BY OWNER.
7	DEMO EXISTING MANTLE & FIRE PLACE TILE SURROUND. PREP FOR NEW FINISHES. SEE FIREPLACE ELEVATION FOR DETAILS.
8	REMOVE EXISTING COUNTERSHELF AT LIVING ROOM. PATCH & REPAIR WALL AS REQUIRED FOR NEW FINISHES.
9	REPLACE EXISTING SHOWER HEAD, SHOWER CONTROL KNOB, VALVE, AND ASSOCIATED RISER PIPING.
10	SEE DETAIL 1/A-213 FOR BATHTUB CONTROL AND GRAB BAR LOCATIONS FOR BATHROOMS.

KEYNOTES

#	DESCRIPTION
09 30 13	CERAMIC TILING
11 30 13.A1	RANGE
11 30 13.A3	DISHWASHER
11 30 13.A4	REFRIGERATOR
12 32 00	MANUFACTURED WOOD CASEWORK
12 36 61.19	QUARTZ AGGLOMERATE COUNTERTOPS
22 40 00.A2	LAVATORY/FAUCET
22 40 00.A4	UNDER COUNTER SINK/FAUCET

PROJECT

DATE

DESC.

APPROVAL STAMPS

City of Puyallup
 Development & Permitting Services
ISSUED PERMIT

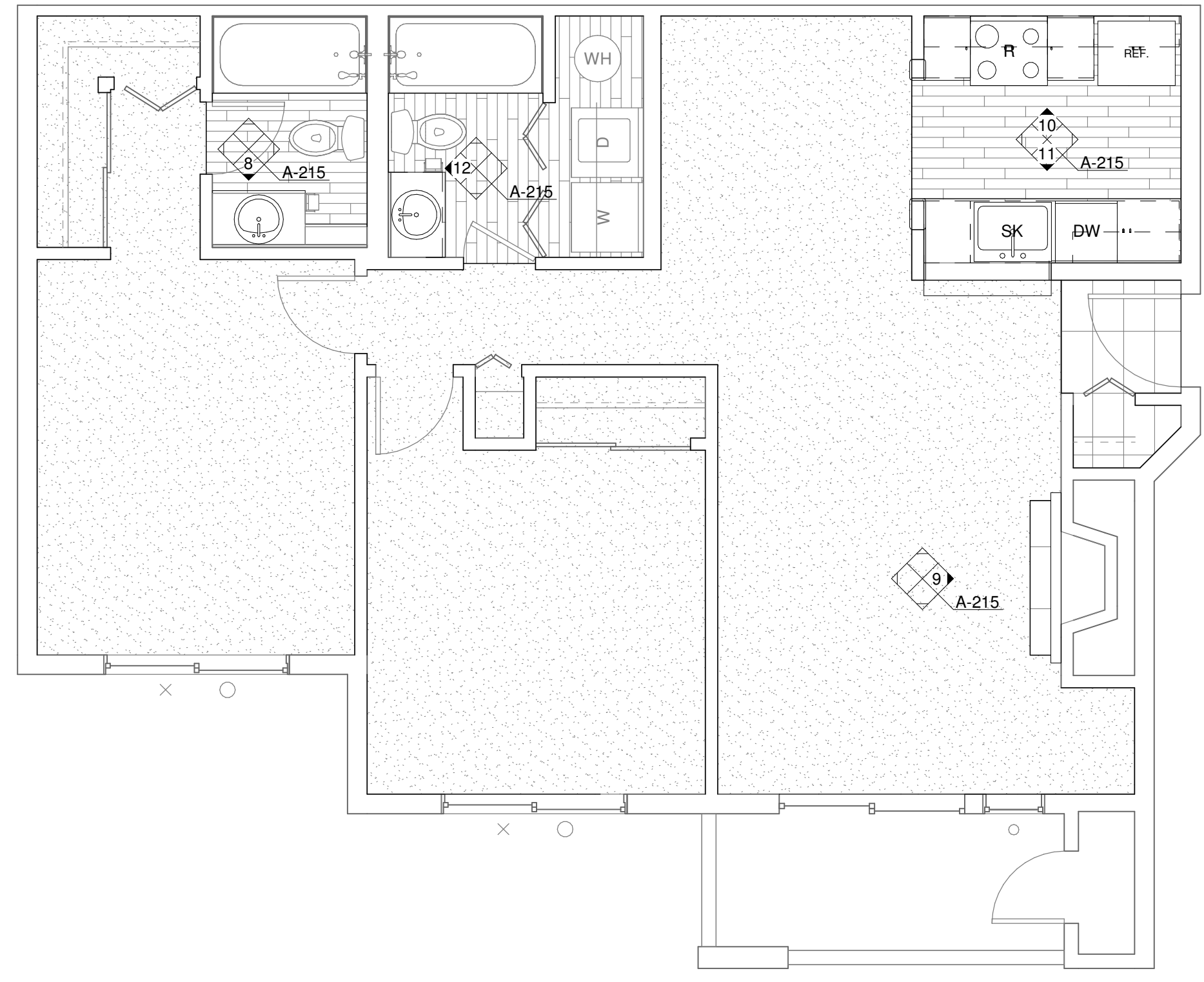
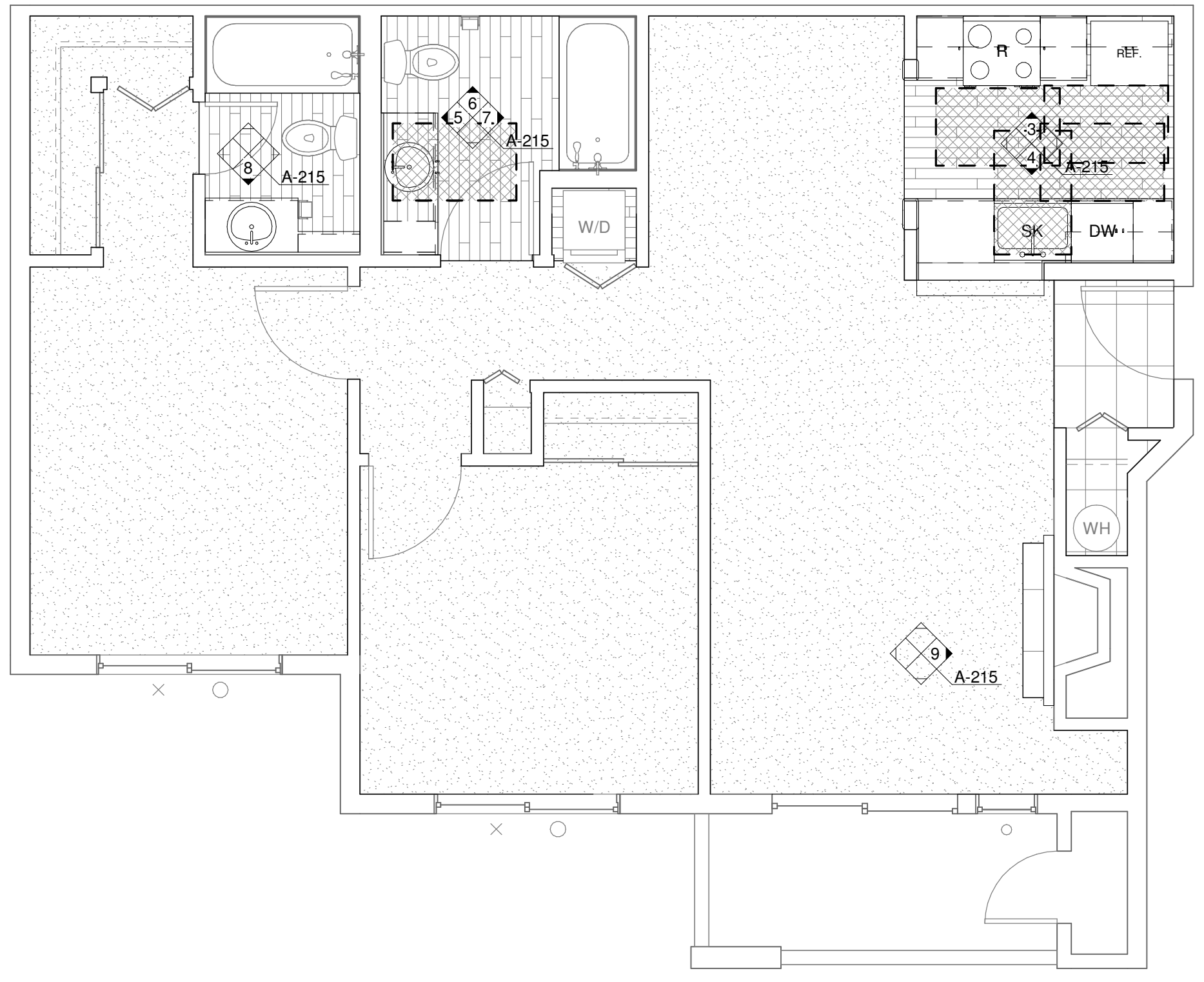
Building	Planning
Engineering	Public Works
Fire	Traffic

JOB NO.: 1922
 ISSUE DATE: 09/14/2021
 REVISED:
 DRAWN BY: BM
 SHEET

PRCTI20230129

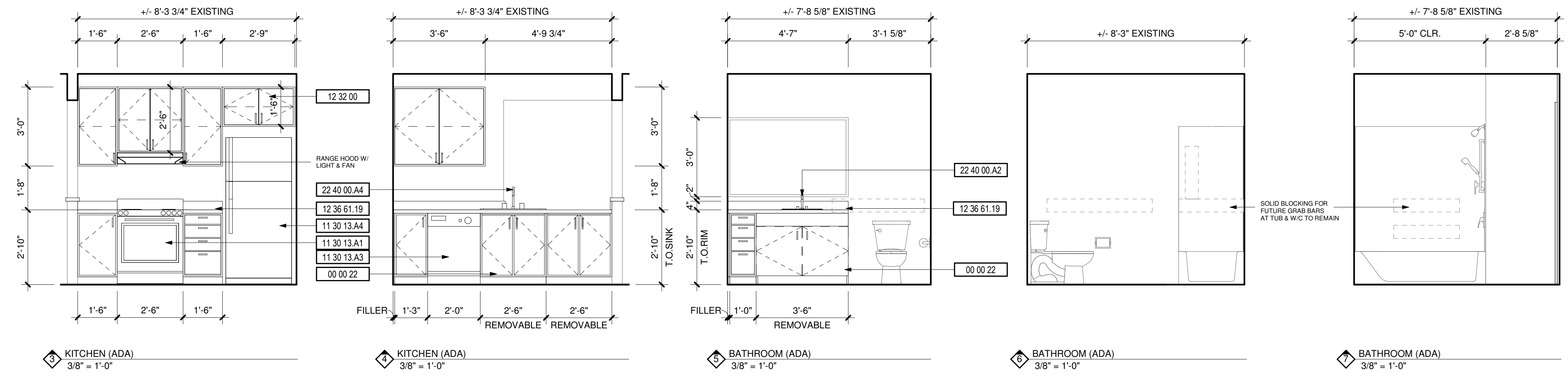
A-214

9/14/2021 9:48:04 AM



1 ENLARGED UNIT PLAN - 2 BED/2 BATH (ADA)
1/4" = 1'-0"

2 ENLARGED UNIT PLAN - 2 BED/2 BATH (TYP)
1/4" = 1'-0"

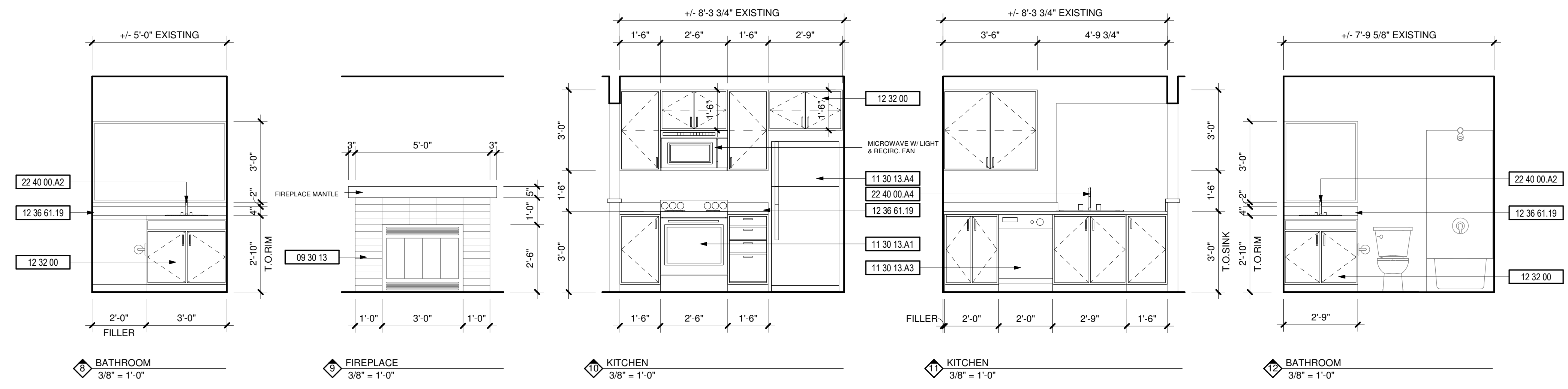


DEMOLITION NOTES

#	DESCRIPTION
1	REPLACE ALL EXISTING FLOORING & BASE AND FIREPLACE HEARTH. PREP FOR NEW FINISH AS REQUIRED.
2	DEMO ALL EXISTING UPPER & LOWER CABINETS AND PLUMBING FIXTURE AT KITCHEN. ALL EXISTING APPLIANCES TO BE REMOVED. PREP WALL AND FLOOR FOR NEW FINISHES.
3	REPLACE EXISTING LIGHT FIXTURES. PREP FOR NEW FIXTURE AS REQUIRED.
4	DEMO ALL EXISTING LOWER CABINET, PLUMBING FIXTURE & MIRROR. PREP FOR NEW FINISHES AS REQUIRED.
5	DEMO HALF WALL AND EXISTING COUNTER TO ACCOMMODATE NEW COUNTER.
6	MEDICINE CABINET TO BE REMOVED AND REPLACED BY OWNER.
7	DEMO EXISTING MANTLE & FIRE PLACE TILE SURROUND. PREP FOR NEW FINISHES. SEE FIREPLACE ELEVATION FOR DETAILS.
8	REMOVE EXISTING COUNTERSHELF AT LIVING ROOM. PATCH & REPAIR WALL AS REQUIRED FOR NEW FINISHES.
9	REPLACE EXISTING SHOWER HEAD, SHOWER CONTROL KNOB, VALVE, AND ASSOCIATED RISER PIPING.
10	SEE DETAIL 1/A-213 FOR BATHTUB CONTROL AND GRAB BAR LOCATIONS FOR BATHROOMS.

KEYNOTES

#	DESCRIPTION
00 00 22	REMOVABLE CABINET, EXTEND FLOORING TO WALL AT BACK OF EACH REMOVABLE CABINET
09 30 13	CERAMIC TILING
11 30 13.A1	RANGE
11 30 13.A3	DISHWASHER
11 30 13.A4	REFRIGERATOR
12 32 00	MANUFACTURED WOOD CASEWORK
12 36 61.19	QUARTZ AGGLOMERATE COUNTERTOPS
22 40 00.A2	LAVATORY/FAUCET
22 40 00.A4	UNDER COUNTER SINK/FAUCET



#	PROJECT	DATE

#	DESC.	DATE

APPROVAL STAMPS

City of Puyallup
Development & Permitting Services
ISSUED PERMIT

Building	Planning
Engineering	Public Works
Fire	Traffic

JOB NO.:	1922
ISSUE DATE:	09/14/2021
REVISED:	
DRAWN BY:	BM
SHEET	

PRCTI20230129

A-215
9/14/2021 9:48:09 AM

PROJECT, DATE, DESC. table with columns for project details and revision tracking.

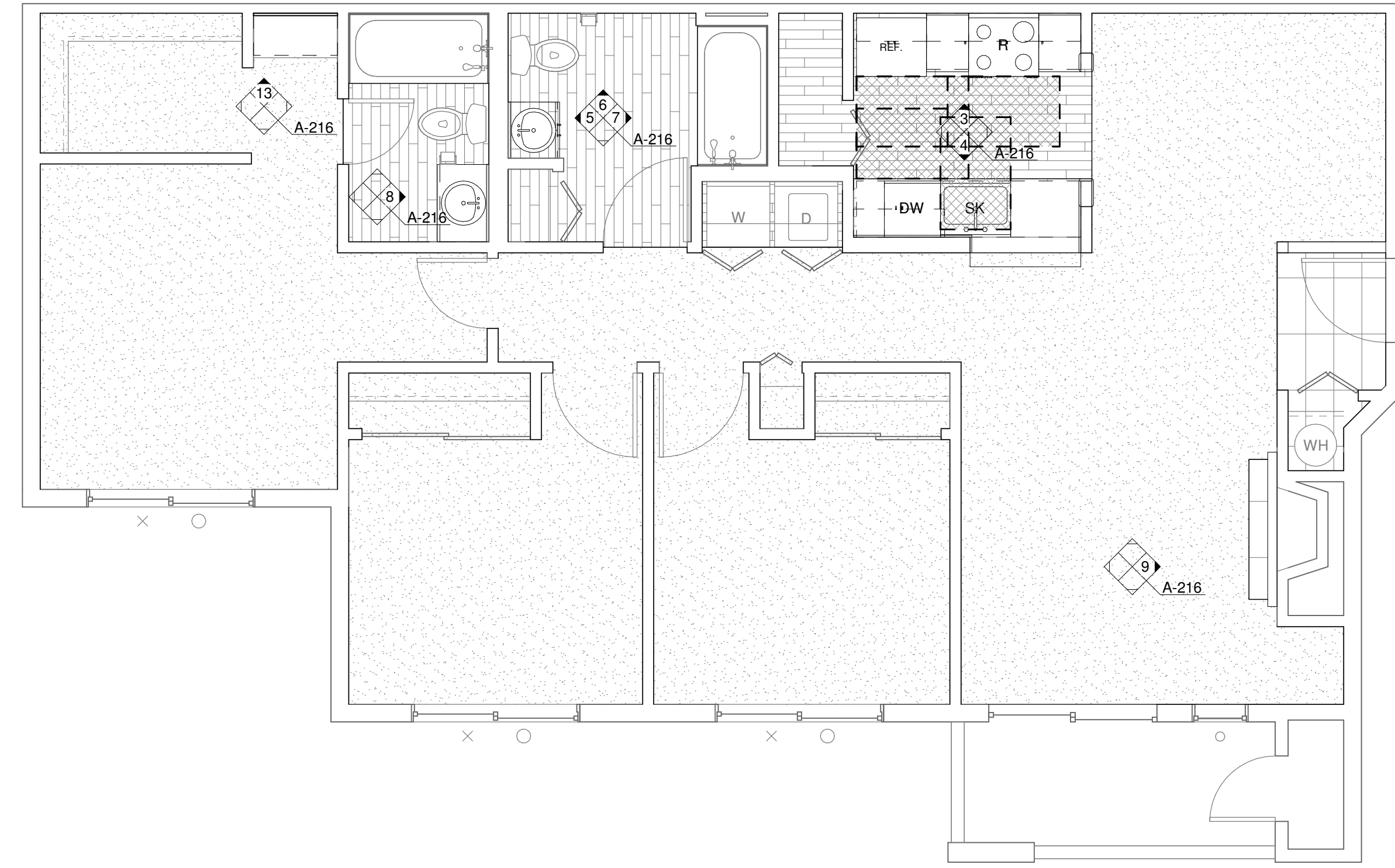
APPROVAL STAMPS

City of Puyallup Development & Permitting Services ISSUED PERMIT. Includes Building, Planning, Engineering, Public Works, Fire, and Traffic stamps.

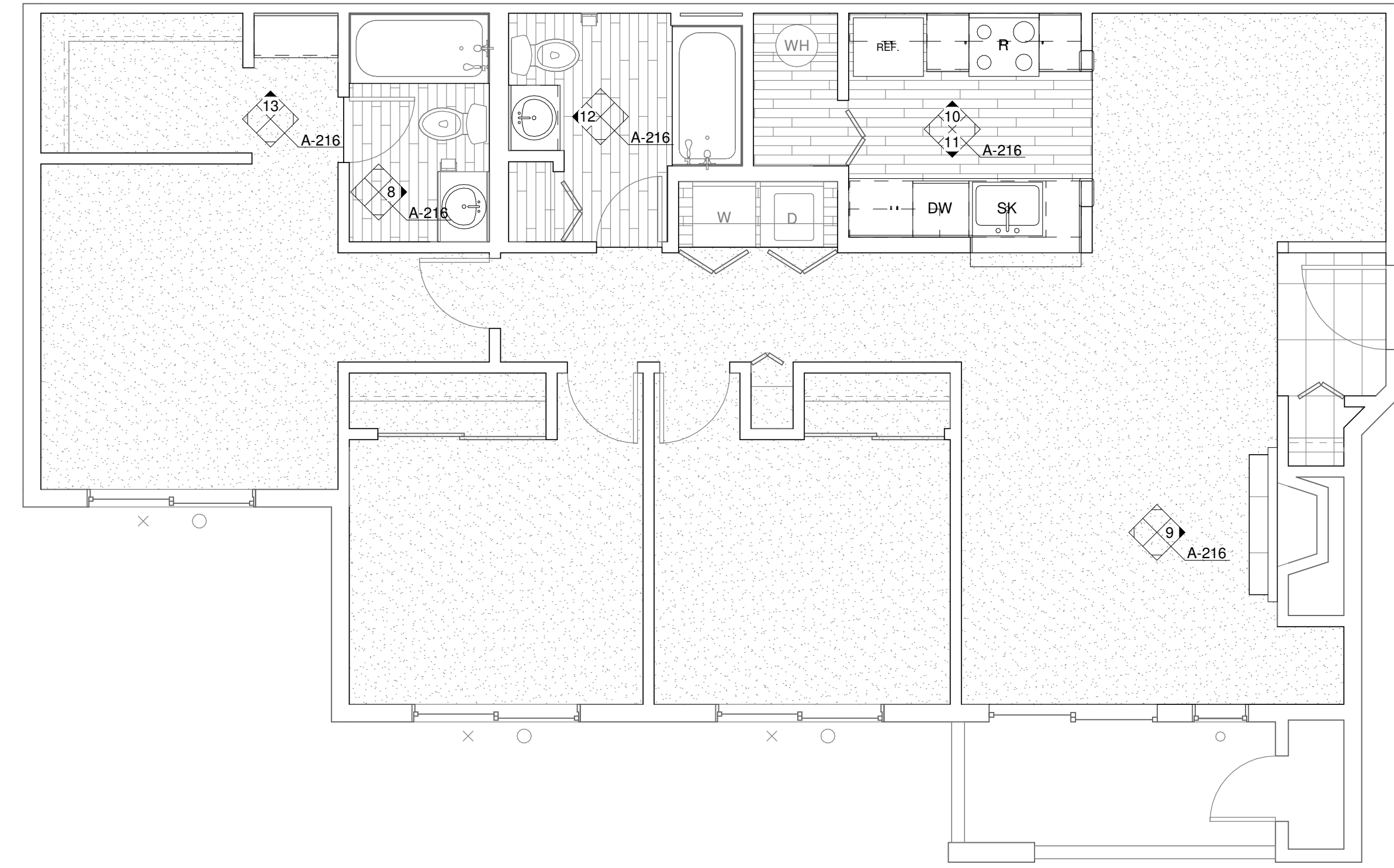
JOB NO.: 1922
ISSUE DATE: 09/14/2021
REVISED:
DRAWN BY: BM
SHEET

A-216

9/14/2021 9:48:14 AM



1 ENLARGED UNIT PLAN - 3 BED/2 BATH (ADA)
1/4" = 1'-0"



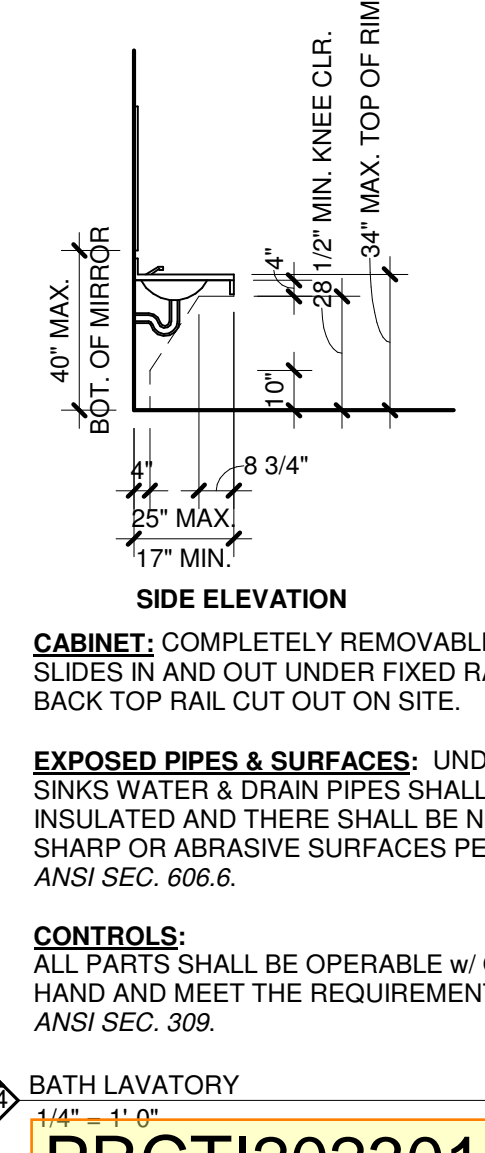
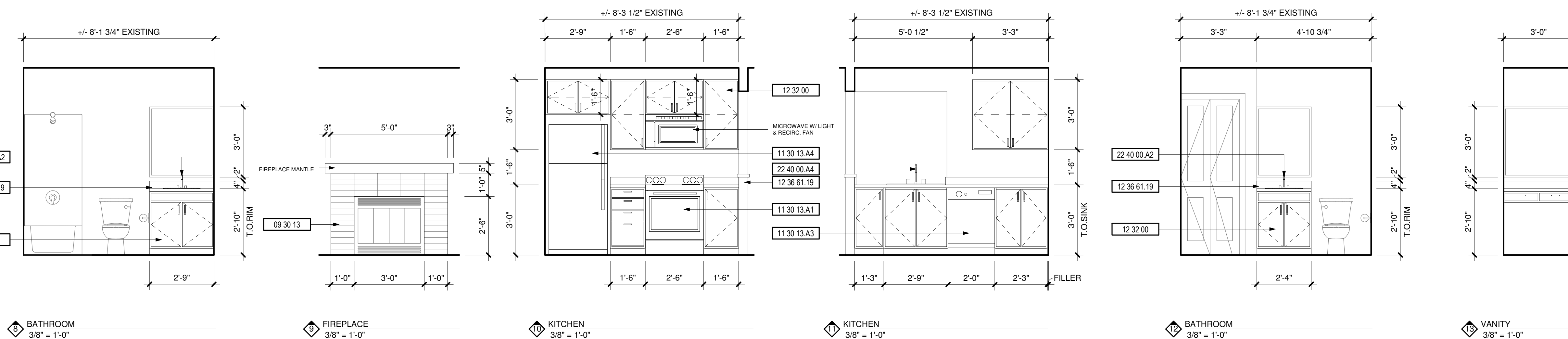
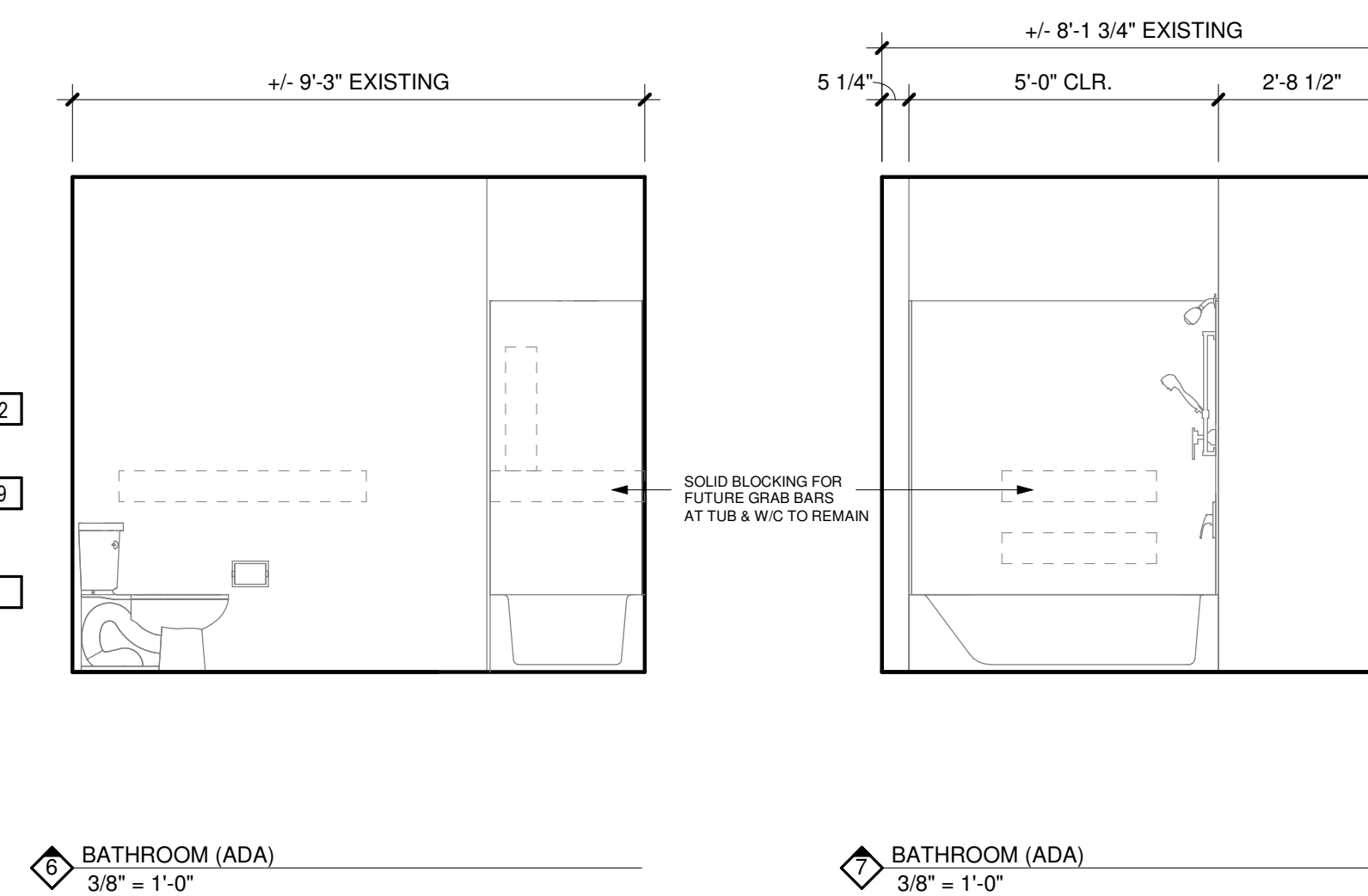
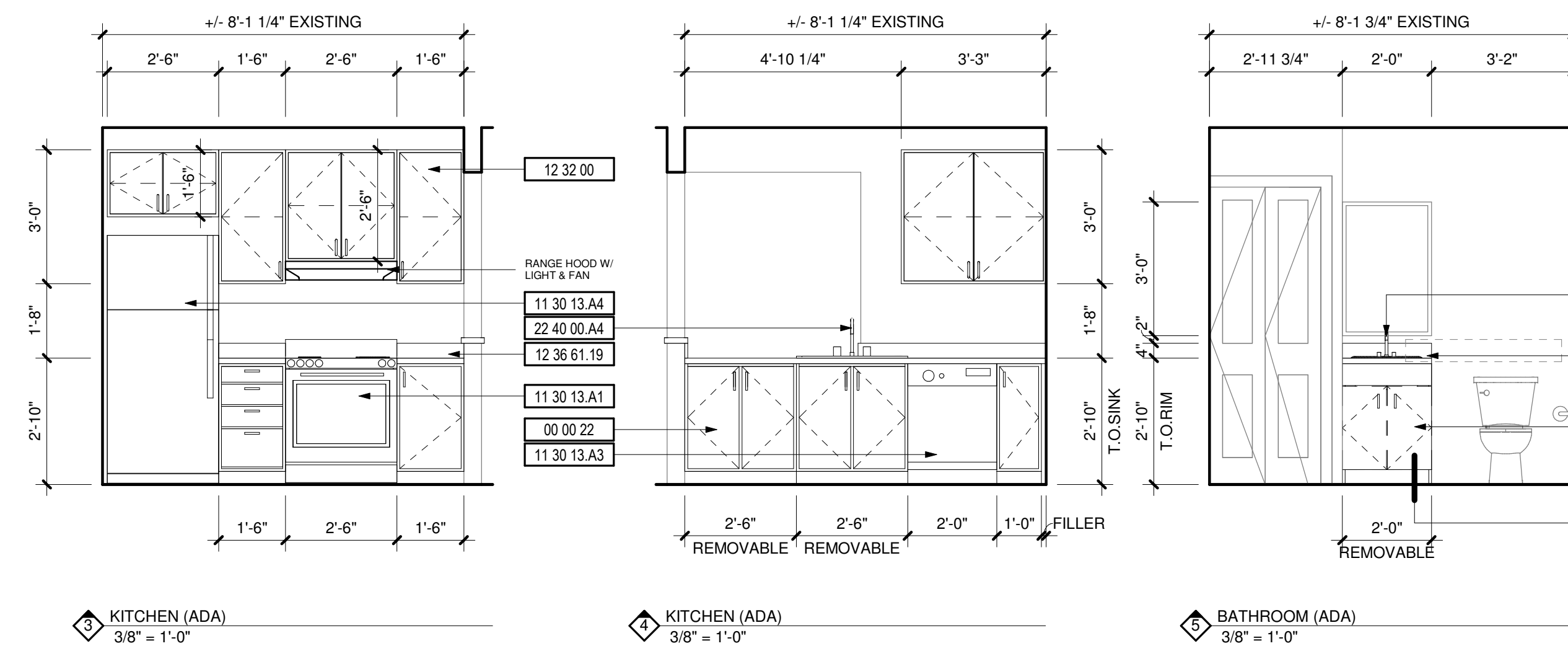
2 ENLARGED UNIT PLAN - 3 BED/2 BATH (TYP)
1/4" = 1'-0"

DEMOLITION NOTES

Table with 2 columns: # and DESCRIPTION. Contains 10 numbered items detailing demolition and preparation work for the unit.

KEYNOTES

Table with 2 columns: # and DESCRIPTION. Contains 10 numbered items detailing keynotes for the unit plan.



40" MAX.
BOT. OF MIRROR
8 3/4"
4"
10"
28 1/2" MIN. KNEE CLR.
3 1/4" MAX. TOP OF RIM

15" MAX.
17" MIN.
CABINET: COMPLETELY REMOVABLE;
SLIDES IN AND OUT UNDER FIXED RAILS.
BACK TOP RAIL CUT OUT ON SITE.

EXPOSED PIPES & SURFACES: UNDER
SINKS WATER & DRAIN PIPES SHALL BE
INSULATED AND THERE SHALL BE NO
SHARP OR ABRASIVE SURFACES PER
ANSI SEC. 606.6.

CONTROLS:
ALL PARTS SHALL BE OPERABLE W/ ONE
HAND AND MEET THE REQUIREMENTS OF
ANSI SEC. 309.

BATH LAVATORY
3/8" = 1'-0"

PRCTI20230129

P:\1922 Meridian Pointe Apartments\05-Drawings\1922 Meridian Pointe Apartments Units.rvt