

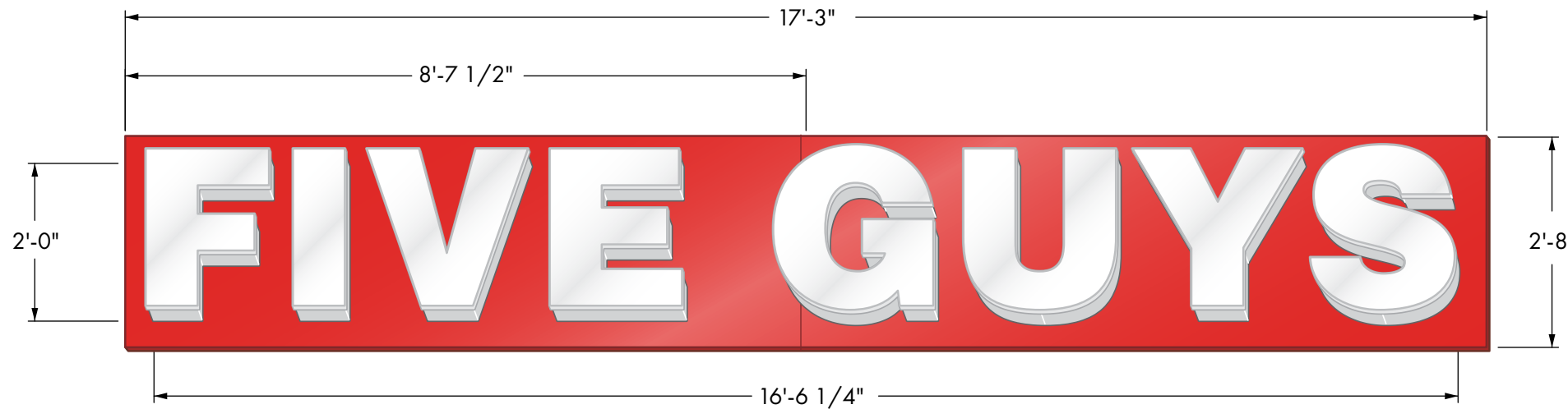
# EXTERIOR CHANNEL LETTERS W/ RACEWAY SPECIFICATIONS

Approval of submitted plans is not an approval of omissions or oversight by this office or noncompliance with any applicable regulations of local government. The contractor is responsible for making sure that the building complies with all applicable building codes and regulations of the local government.

**VOLTAGE**

120 Volts

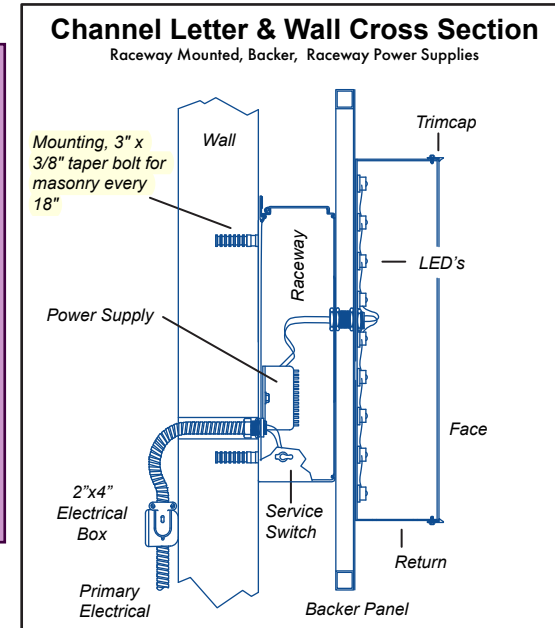
277 Volts



**City of Puyallup Planning Division APPROVED**

See permit conditions.

GClark  
02/06/2023  
11:12:04 AM



This original and unpublished design is copyrighted and the exclusive property of JNB Signs, Inc. and is not to be exhibited, copied or reproduced in whole or in part without written permission.

**CLIENT :**  
Five Guys

**JOB LOCATION :**  
1002 N. Meridian  
Puyallup, WA

**SALESMAN :**  
Matt Stried

**DESIGNER :**  
Scott F

**REVISION HISTORY :**  
Initial Drawing Release

A	DATE	REQUESTED BY	UPDATED BY
	1-3/23	MS	SF

B	DATE	REQUESTED BY	UPDATED BY

C	DATE	REQUESTED BY	UPDATED BY

D	DATE	REQUESTED BY	UPDATED BY

**PRODUCTION APPROVAL :**

INITIAL	DATE

**CLIENT SIGNATURE :**

DATE

**09679-01a**  
Revision 00  
1-3/23

## SECTION A

Drawing Scale: 1/2" = 1'  
As shown on a 17" x 11" Tabloid

**City of Puyallup Building Reviewed FOR COMPLIANCE**

DLeahy  
02/27/2023  
2:29:41 PM

**City of Puyallup Development & Permitting Services ISSUED PERMIT**

Building	Planning
Engineering	Public Works
Fire	Traffic



Remove existing raceway channel letters and tagline capsule and scrap. Patch and seal water tight all old mounting holes and electrical holes.

## DESCRIPTION **A**

**FACES :** 3/16" translucent White acrylic (#7328), 1" White trimcap

**LETTERS :** Returns - .040" x 5" aluminum returns  
Backs - .040" aluminum backs

**BACKER :** Fabricated 1" square aluminum tube frame, vertical stringers, .090" aluminum faces

**RACEWAY:** (2) Custom 6"D x 16"H raceways, 96" long, .090" aluminum, bent and welded construction, aluminum cross supports

**FINISHES :** Letters - Interiors prefinished "White" enamel, exteriors prefinished Wrisco White  
Backer - Primed and painted Ultra low VOC "Bengal Red" (MP95959), finished with a gloss clear coat  
Raceway - Prepped and painted to match the existing wall color

**LIGHTING :** Letters lit internally using Hanley PF3120 White LED light modules

**ELECTRICAL :** 120 Volt, UL Listed & Labeled, 12 Volt Hanley power supplies remotely mounted inside raceways

**FULL SIZED LEDGIBLE COLOR PLANS ARE REQUIRED TO BE PROVIDED BY THE PERMITTEE ON SITE FOR ALL INSPECTIONS MIN. PLAN SIZE 11" X 17"**



FRONT ELEVATION - Install new sign in the same location of the existing sign

**PRSG20230101**