

21312 30th Drive SE, Suite 103, Bothell, WA. 98021  
16810 E Euclid Ave, Spokane, WA. 99216

Date: 1/25/2023

Seattle Job # 23-1000

ADT Job # \_\_\_\_\_

System Type: 01- Fire Alarm (FAS)

**Customer:**

Evergreen Power Systems Inc  
3623 E Marginal Way S  
Seattle, WA. 98134

**Project:**

Central Pierce Fire & Rescue FAS  
[Project Address]  
[Project City], [Project St]. [Project Zip]

**Material List of Data Sheets**

Item	Manufacture	Model	Description
1	Notifier	PSE-10	10.0 AMPS, 120VAC REMOTE CHARGER POWER SUPPLY IN LOCKABLE, METAL ENCLOSUR
2	Notifier	FSP-951	INTELLIGENT ADDRESSABLE PHOTO DETECTOR; WITH FLASHSCAN; WHITE
3	Honeywell	B300-6	6 inch Base; White
	Honeywell	B300-6-BP	6 inch Base; White; Bulk Pack
4	Notifier	FCM-1	ADDRESSABLE CONTROL MODULE WITH FLASHSCAN; CONFIGURED FOR ONE CLASS A OF
5	System Sensor	PC2WL	2-Wire Ceiling Horn Strobe, White
	System Sensor	SCWL	Ceiling Strobe, White
6	Space Age	E120V-GT	120VAC Voltage Protector for Control Panels, w/ Lockout & Labels

This page intentionally left blank

---

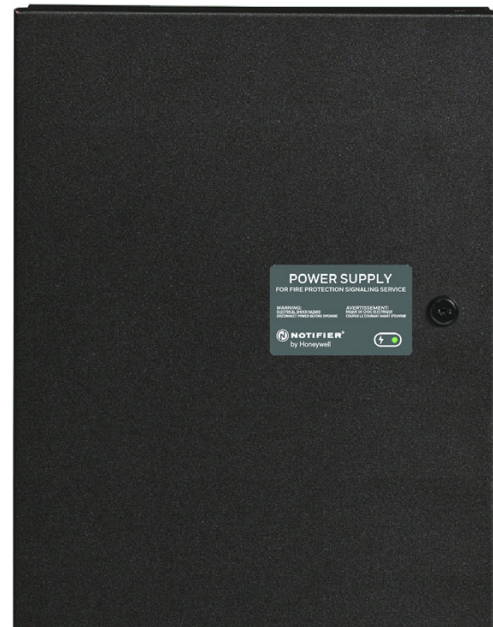
# PSE-6/PSE-10 Series 6/10 Amp, 24 Volt Power Supply Expanders

## General

The PS Series is a remote power supply line from NOTIFIER and is a direct replacement for the FCPS-24S6/8 Series. The PSE-6(C)(E) is a 6 amp and the PSE-10(C)(E) is a 10 amp, remote power supply with battery charger that may be connected to any 12 or 24 volt fire alarm control panel (FACP) or used as a standalone power supply. The PS Series provides 24 VDC power for NACs (notification appliance circuits) configured as either Class B or Class A (requires the ZNAC-PS option card) with multiple sync protocol options. The PS Series also provides auxiliary power, constant or resettable, suited for detectors, annunciators, door holders, and other fire alarm system peripherals. The PS Series cabinet can hold two 7 AH or 18 AH batteries and can charge up to 33 AH batteries in a separate cabinet. The PSE-6E and PSE-10E are models rated for 240V operation.

## Features

- Up to five (6 amp model) or seven (10 amp model) independently-configurable, power-limited output circuits for:
  - Class B and/or Class A NACs
  - Class B and/or Class A resettable or non-resettable 24V auxiliary power
  - door holder power
- Converts from Class B to Class A wiring without losing any outputs using the ZNAC-PS converter card (sold separately)
- Optimal for powering four-wire smoke detectors, annunciators, and other system peripherals requiring regulated power
- Configurable for ANSI® Temporal 3 or Temporal 4 coded output
- UL-Listed NAC synchronization using System Sensor®, Wheelock®, Gentex®, or AMSECO® appliances
- Synchronization can be triggered from FACP NAC/remote sync outputs, cascaded power supply, or a control module, single or multi, which may be housed within the power supply cabinet
- Ability to cascade up to four power supplies
- Two (6 amp model) or three (10 amp model) fully-isolated input/control circuits which can be programmed to any output
- Two Form C normally-closed trouble relays for AC Trouble and General Trouble, Ground Fault relay available on Canadian models only
- 6 or 10 amp full load output, respectively, with 3 A maximum/circuit
- Individual NAC power and trouble LEDs for diagnostic efficiency
- Trouble history modes for diagnostic support
- Wide range end-of-line supervision value (normal: 2K-27K ohms)
- Selectable earth fault detection (enable or disable)
- AC trouble report delay timer
- Completely configurable via onboard DIP switches, no extra software required
- Self-contained in compact, locking cabinet constructed of heavy gauge steel with a corrosion-resistant powder coat chip and scratch-resistant finish
- Cabinet designed with ten double knockouts and a removable door for ease of installation and wiring
- Includes integral battery charger capable of charging up to 33 AH batteries
- Cabinet can house two 7 AH or 18 AH batteries



- Battery charger may be disabled via DIP switch for applications requiring larger batteries and external battery charger
- Removable terminal blocks accommodate up to 12 AWG (3.1mm<sup>2</sup>) wire
- Works with any UL 864 FACP which utilizes an industry-standard reverse-polarity notification circuit
- Optional devices include addressable control, monitor, and relay modules and power-supervision relay (EOLR-1)

## Standards and Codes

The PSE Series comply with the following standards:

- **NFPA 72** National Fire Alarm Code
- **UL 864** Standard for Control Units for Fire Alarm Systems (NAC expander mode), 10th Edition
- **UL 1481** Power Supplies for Fire Alarm Systems
- **IBC 2009** (when using SEISKIT-MULTI-1)
- **CBC 2007** (when using SEISKIT-MULTI-1)

## Agency Listings and Approvals

These listings and approvals apply to the modules specified in this document. In some cases, certain modules or applications may not be listed by certain approval agencies, or listing may be in process. Consult factory for latest listing status.

- **UL Listed:** S635, S674
- **ULC Listed:** S635 (PSE-6/10C)
- **CSFM Approved:** 7315-0028:0513
- **FDNY Approved**
- **FM Approved**

**Primary (AC) Power:**

- **PSE-6(C):** 120 VAC, 50/60 Hz, 5.0A maximum
- **PSE-10(C):** 120VAC, 50/60 Hz, 6.2 A maximum
- **PSE-6E:** 240 VAC, 50/60 Hz, 2.7A maximum
- **PSE-10E:** 240 VAC, 50/60 Hz, 3.5A maximum
- **Wire Size:** #12-14 AWG with 600 V insulation

**Command Input Circuit:**

- **Trigger Input Voltage:** 9 to 32 VDC
- **Trigger Current:** 2.0 mA (16 - 32 V); Per Input: 1.0 mA (9 - 16 V)

**Trouble Contact Rating:** 4 A at 24 VDC

**Output Circuits:**

- 24 VDC filtered, regulated
- PSE-6: TB8-TB9 – 1A Regulated, 3A special applications; TB10-TB12 – 0.3A Regulated, 3A special applications
- PSE-10: TB8-TB11 – 1.5A Regulated, 3A special applications; TB12-TB14 – 0.3A Regulated, 3A special applications
- 6.0 A (PSE-6) or 10.0 A (PSE-10) maximum total continuous current for all outputs

**Secondary Power (Battery) Charging Circuit:**

- Supports lead-acid batteries only
- Float-charge voltage: 27.6 VDC
- Maximum current charge: 1.5 A
- Maximum battery capacity: 18 AH (inside cabinet)
- Maximum battery charging capacity: 33 AH (external cabinet)

**Physical:**

- **Dimensions:** 20.0"H x 14.5"W x 3.5"D (cm: 50.8H x 36.83W x 8.9D)
- **Weight:** with two 7Ah batteries is 24 pounds (10.9 kg), with two 18 AH batteries is 39 pounds (17.7 kg)

**Ordering Information**

- PSE-6:** 6.0 A, 120 VAC remote charger power supply in a lockable, metal enclosure
- PSE-6C:** Same as above, ULC-listed model
- PSE-6R:** Same as PSE-6 with red enclosure
- PSE-6E:** 6.0 A, 240 VAC remote charger power supply in a lockable, metal enclosure
- PSE-10:** 10.0 A, 120 VAC remote charger power supply in a lockable, metal enclosure
- PSE-10C:** Same as above, ULC-listed model
- PSE-10R:** Same as PSE-10 with red enclosure
- PSE-10E:** 10.0 A, 240 VAC remote charger power supply in a lockable, metal enclosure
- ZNAC-PS:** Optional Class A output converter module
- FCM-1:** Addressable Control Module for one Class B or Class A zone of supervised, polarized Notification Appliances. Notification Appliance Circuit option requires external 24 VDC to power notification appliances.
- FRM-1:** Addressable relay module containing two isolated sets of Form-C contacts, which operate as a DPDT switch
- FMM-1:** Addressable Monitor Module for one zone of normally open dry-contact initiating devices. Includes plastic cover plate and end-of-line resistor. Module may be configured for either a Class B or Class A IDC.
- FDM-1:** Dual Monitor Module. Same as FMM-1 except it provides two inputs for Class B wiring only
- FDRM-1:** Provides two monitored inputs and two Form-C relays. Functions in Class B wiring only.
- XP6-C:** Six-circuit supervised control module
- XP6-R:** Six Form-C relay control module
- EOLR-1:** 12/24 VDC end-of-line relay for monitoring four-wire smoke detector power
- BAT-1270-BP:** Battery, 12 volt, 7.0 AH, 5-pack (two required, see BAT Series data sheet DN-6933).
- BAT-12180-BP:** Battery, 12 volt, 18AH, 2-pack
- BAT-12330:** Battery, 12 volt, 33AH
- SEISKIT-MULTI-1:** Seismic kit for the PSE Series. Includes bracket and hardware for two 7AH or two 18AH batteries.



This document is not intended to be used for installation purposes.  
 We try to keep our product information up-to-date and accurate.  
 We cannot cover all specific applications or anticipate all requirements.  
 All specifications are subject to change without notice.

NOTIFIER® and System Sensor® are registered trademarks of Honeywell International, Inc. Wheelock® is a registered trademark of Cooper Technologies Company. Gentex® is a registered trademark of Gentex Corporation. AMSECO® is a registered trademark of Potter Electric Signal Company, LLC. ANSI® is a registered trademark of the American National Standards Institute, Inc.

©2021 by Honeywell International Inc. All rights reserved. Unauthorized use of this document is strictly prohibited.

Country of Origin: USA

**NOTIFIER**

12 Clintonville Road  
 Northford, CT 06472  
 203.484.7161  
 www.notifier.com



## FSP-951 Series Addressable Photoelectric Smoke Detectors

The NOTIFIER® FSP-951 Series intelligent plug-in smoke detectors are designed for both performance and aesthetics, and are direct replacements for the FSP-851 Series. A new modern, sleek, contemporary design and enhanced optical sensing chamber is engineered to sense smoke produced by a wide range of combustion sources in accordance with more stringent code standards.

The FSP-951 Series detector sensitivity can be programmed in the control panel software. Sensitivity is continuously monitored and reported to the panel. Point ID capability allows each detector's address to be set with rotary, decimal address switches, providing exact detector location for selective maintenance when chamber contamination reaches an unacceptable level. Dual electronic thermistors add 135°F (57°C) fixed temperature thermal sensing on the FSP-951T. The FSP-951R is a remote test capable detector for use with DNR Series duct detector housings. FSP-951 series detectors are available for both FlashScan® and CLIP applications as designated.

### Features

#### SLC LOOP:

- Two-wire SLC loop connection
- Unit uses base for wiring
- Compatible with FlashScan® and CLIP protocol systems
- Stable communication technique with noise immunity

#### ADDRESSING:

- Addressable by device
- Rotary, decimal addressing  
(Refer to the *NOTIFIER panel manuals* for device capacity.)

#### ARCHITECTURE:

- Sleek, low-profile, stylish design
- Unique single-source design to respond quickly and dependably to a broad range of fires
- Integral communications and built-in device-type identification
- Built-in tamper resistant feature
- Remote test feature from the panel
- Walk test with address display (an address on 121 will blink the detector LED: 12-[pause]-1(*FlashScan systems only*))
- Built-in functional test switch activated by external magnet
- Removable cover and insect-resistant screen for simple field cleaning
- Expanded color options

#### OPERATION:

- Designed to meet UL 268 7th Edition
- Factory preset at 1.5% nominal sensitivity for panel alarm threshold level
- LED "blinks" when the unit is polled (communicating with the fire panel) and latches in alarm.
- Low standby current

#### MECHANICALS:

- Sealed against back pressure
- SEMS screws for wiring of the separate base
- Designed for direct-surface or electrical-box mounting
- Plugs into separate base for ease of installation and maintenance



- Separate base allows interchange of photoelectric, ionization and thermal sensors

#### OPTIONS:

- Optional relay, isolator, and sounder bases

### Installation

FSP-951 Series plug-in intelligent smoke detectors use a detachable base to simplify installation, service and maintenance. Installation instructions are shipped with each detector.

Mount detector base (all base types) on an electrical backbox which is at least 1.5" (3.81 cm) deep. For a chart of compatible junction boxes, see *DN-60054*.

**NOTE:** Because of the inherent supervision provided by the SLC loop, end-of-line resistors are not required. Wiring "T-taps" or branches are permitted for Style 4 (Class "B") wiring only. When using relay or sounder bases, consult the ISO-X(A) installation sheet 156-1380 for device limitations between isolator modules and isolator bases.

### Construction

These detectors are constructed of fire-resistant plastic. The FSP-951 Series plug-in intelligent smoke detectors are designed to commercial standards and offer an attractive appearance.

### Operation

Each FSP-951 Series detector uses one of the panel's addresses (total limit is panel dependent) on the NOTIFIER Signaling Line Circuit (SLC). It responds to regular polls from the control panel and reports its type and the status. If it receives a test command from the panel (or a local magnet test), it stimulates its electronics and reports an alarm. It blinks its LEDs when polled and turns the LEDs on when commanded by the panel. The FSP-951 Series offers features and performance that represent the latest in smoke detector technology.

## Product Line Information

**NOTE:** “-IV” suffix indicates CLIP and FlashScan device.

**FSP-951:** White, low-profile intelligent photoelectric sensor, FlashScan only

**FSP-951A:** Same as FSP-951 but with ULC listing

**FSP-951-IV:** Ivory, low-profile intelligent photoelectric sensor

**FSP-951A-IV:** Same as FSP-951-IV but with ULC listing

**FSP-951T:** White, same as FSP-951 but includes a built-in 135°F (57°C) fixed-temperature thermal device, FlashScan only

**FSP-951TA:** Same as FSP-951T but with ULC listing

**FSP-951T-IV:** Ivory, same as FSP-951T but includes a built-in 135°F (57°C) fixed-temperature thermal device

**FSP-951TA-IV:** Same as FSP-951T-IV but with ULC listing

**FSP-951R:** White, low-profile intelligent photoelectric sensor, remote test capable, for use with DNR/DNRW, FlashScan only

**FSP-951RA:** Same as FSP-951R but with ULC listing, for use with DNRA

**FSP-951R-IV:** Ivory, low-profile intelligent photoelectric sensor, remote test capable, for use with DNR/DNRW

**FSP-951RA-IV:** Same as FSP-951R-IV but with ULC listing, for use with DNRA

### INTELLIGENT BASES

**NOTE:** For details on intelligent bases, see DN-60981.

**B300-6:** White, 6” base, standard flanged low-profile mounting base (CSFM: 7300-1653:0109)

**B300-6-IV:** Ivory, 6” base, standard flanged low-profile mounting base (CSFM: 7300-1653:0109)

**B300A-6:** Same as B300-6, ULC listed

**B300A-6-IV:** Ivory, 6” standard flanged low-profile mounting base, ULC listed

**B300-6-BP:** Bulk pack of B300-6, package contains 10

**B501-WHITE:** White, 4” standard European flangeless mounting base. UL/ULC listed (CSFM: 7300-1653:0109)

**B501-BL:** Black, 4” standard European flangeless mounting base. UL/ULC listed (CSFM: 7300-1653:0109)

**B501-IV:** Ivory color, 4” standard European flangeless mounting base. UL/ULC listed (CSFM: 7300-1653:0109)

**B501-WHITE-BP:** Bulk pack of B501-WHITE contains 10

**B224RB-WH:** White, relay base (CSFM: 7300-1653:0216)

**B224RB-IV:** Ivory, relay base (CSFM: 7300-1653:0216)

**B224RBA-WH:** White, relay base, ULC listing

**B224RBA-IV:** Ivory, relay base, ULC listing

**B224BI-WH:** White, isolator detector base (CSFM: 7300-1653:0216)

**B224BI-IV:** Ivory isolator detector base (CSFM: 7300-1653:0216)

**B224BIA-WH:** White, isolator detector base, ULC listing

**B224BIA-IV:** Ivory isolator detector base, ULC listing

**B200S-WH:** White, Intelligent addressable sounder base capable of producing sound output in high or low volume with ANSI Temporal 3, ANSI Temporal 4, continuous tone, marching tone, and custom tone. Uses FlashScan protocol. (CSFM: 7300-1653:0213)

**B200S-IV:** Ivory, Intelligent addressable sounder base capable of producing sound output in high or low volume with ANSI Temporal 3, ANSI Temporal 4, continuous tone, marching tone, and custom tone. Uses FlashScan protocol. (CSFM: 7300-1653:0213)

**B200SA-WH:** Same as B200S-WH, ULC listing

**B200SA-IV:** Same as B200S-IV, ULC listing

**B200SCOA-WH:** White, Intelligent, programmable sounder base in English/French (required in Canada for ULC applications with CO Series detector applications)

**B200SCOA-IV:** Ivory Intelligent, programmable sounder base in English/French (required in Canada for ULC applications with CO Series detector applications, ULC listing)

**B200S-LF-WH:** White, Low Frequency Intelligent, programmable sounder base. Produces a fundamental frequency of 520 Hz +/- 10% with a square wave or its equivalent; designed to meet the NFPA 72 sleeping space requirement. (CSFM: 7300-1653:0238)

**B200S-LF-IV:** Ivory, Low Frequency Intelligent, programmable sounder base. Produces a fundamental frequency of 520 Hz +/- 10% with a square wave or its equivalent; designed to meet the NFPA 72 sleeping space requirement. (CSFM: 7300-1653:0238)

**B200SR-WH:** White, Intelligent sounder base capable of producing sound output with ANSI Temporal 3 or continuous tone. Intended for retrofit applications. (CSFM: 7300-1653:0213)

**B200SR-IV:** Ivory, Intelligent sounder base capable of producing sound output with ANSI Temporal 3 or continuous tone. Intended for retrofit applications. (CSFM: 7300-1653:0213)

**B200SRA-WH:** Same as B200SR-WH with, ULC listing

**B200SRA-IV:** Same as B200SR-IV in Ivory color, ULC listing

**B200SR-LF-WH:** White, Low Frequency Intelligent, programmable sounder base. Produces a fundamental frequency of 520 Hz +/- 10% with a square wave or its equivalent; designed to meet the NFPA 72 sleeping space requirement. Intended for retrofit applications. (CSFM: 7300-1653:0238)

**B200SR-LF-IV:** Ivory, Low Frequency Intelligent, programmable sounder base. Produces a fundamental frequency of 520 Hz +/- 10% with a square wave or its equivalent; designed to meet the NFPA 72 sleeping space requirement. Intended for retrofit applications. (CSFM: 7300-1653:0238)

### MOUNTING KITS AND ACCESSORIES

**TR300:** White, replacement flange for B210LP(A) base

**TR300-IV:** Ivory, replacement flange for B210LP(A) base

**RA100Z(A):** Remote LED annunciator. 3-32 VDC. Mounts to a U.S. single-gang electrical box. For use with B501(A) and B300-6(A).

**M02-04-00:** Test magnet

**M02-09-00:** Test magnet with telescoping handle

**CK300:** Color Kit (includes cover and trim ring), white, 10-pack

**CK300-IV:** Color Kit (includes cover and trim ring), ivory, 10-pack

**CK300-BL:** Color Kit (includes cover and trim ring), black, 10-pack

## SPECIFICATIONS

---

### Sensitivity:

- UL Applications: 0.5% to 4.0% per foot obscuration.
- ULC Applications: 0.5% to 3.5% per foot obscuration

**Size:** 2.0" (5.3 cm) high; base determines diameter

- **B300-6:** 6.1" (15.6 cm) diameter
- **B501:** 4" (10.2 cm) diameter

*For a complete list of detector bases see DN-60981*

**Shipping weight:** 3.4 oz. (95 g)

### Operating temperature range:

- FSP-951: 32°F to 122°F (0°C to 50°C)
- FSP-951T Series: 32°F to 100°F (0°C to 38°C)
- FSP-951R Series installed in a DNR/DNRW, -4°F to 158°F (-20°C to 70°C)

**UL/ULC Listed Velocity Range:** 0-4000 ft/min. (1219.2 m/min.), suitable for installation in ducts

**Relative humidity:** 10% – 93% non-condensing

**Thermal ratings:** fixed-temperature set point 135°F (57°C), rate-of-rise detection 15°F (8.3°C) per minute, high temperature heat 190°F (88°C)

### ELECTRICAL SPECIFICATIONS

**Voltage range:** 15 - 32 volts DC peak

**Standby current (max. avg.):** 200µA @ 24 VDC (one communication every 5 seconds with LED enabled)

**Max current:** 4.5 mA @ 24 VDC ("ON")

### DETECTOR SPACING AND APPLICATIONS

NOTIFIER recommends spacing detectors in compliance with NFPA 72. In low airflow applications with smooth ceiling, space detectors 30 feet (9.1m). For specific information regarding detector spacing, placement, and special applications refer to NFPA 72. A *System Smoke Detector Application Guide*, document A05-1003, is available at [www.systemsensor.com](http://www.systemsensor.com).

### Listings and Approvals

Listings and approvals below apply to the FSP-951 Series detectors. In some cases, certain modules may not be listed by certain approval agencies, or listing may be in process. Consult factory for latest listing status.

- UL/ULC Listing: S1115
- FM Approved
- CSFM: 7272-0028:0503



This document is not intended to be used for installation purposes.  
We try to keep our product information up-to-date and accurate.  
We cannot cover all specific applications or anticipate all requirements.  
All specifications are subject to change without notice.

FlashScan® NOTIFIER®, and System Sensor® are registered trademarks of Honeywell International, Inc.

©2019 by Honeywell International Inc. All rights reserved. Unauthorized use of this document is strictly prohibited.

Country of Origin: Mexico

### NOTIFIER

12 Clintonville Road  
Northford, CT 06472  
203.484.7161  
[www.notifier.com](http://www.notifier.com)







# Intelligent Bases Standard, Relay, Isolator, Sounder, and Low-Frequency Sounder Bases

## General

To meet local code and application requirements, NOTIFIER® offers standard 4" and 6" bases, as well as, specialty base designs including relay, isolator, sounder and low frequency sounder options for the new 900 Series of addressable detectors as well as previous generations.

The standard 4" and 6" bases offer a plug-in detector base intended for use in intelligent systems, with screw terminals identified with a (+ and -). The 4" base offers a compact design while the 6" base provides compatibility with a wider range of junction boxes.

The specialty bases support application driven requirements. These bases employ a separate mounting plate that installs on various junction box sizes to eliminate unsightly surface-mount boxes. The mounting plate enables pre-wiring of all connections to speed and simplify installation.

Relay bases provide one form-C contact relay for control of auxiliary functions, such as door closure and elevator recall. The relay can operate in two different modes (short and long delay). The activation time for the short delay is 60-100 milliseconds, while the activation time for the long delay is 6-10 seconds. A shunt with pin headers, located on the base PC board, is used to set the delay timing.

Isolator bases allow the Signaling Line Circuit (SLC) loop to operate under fault conditions created from a short circuit preventing an entire communication loop from being disabled. The base isolates the section of the loop containing the short circuit from the remainder of the circuit and automatically restores when the fault is corrected.

Sounder and low frequency sounder bases are designed for new and existing dwelling unit applications. They offer maximum flexibility in installation, configuration, and operation to meet or exceed UL 268 and UL 464 requirements. The low frequency sounder bases are designed to meet the NFPA 72 sleeping space requirement to produce a fundamental frequency of 520 Hz +/- 10% with a square wave or its equivalent. Studies show that a lower frequency, centered around 520 Hz, is the most ideal to wake sleeping occupants, even those with mild to severe hearing loss.

The B200SR sounder and -LF sounder bases (B200SR-WH/B200SR-IV/B200SR-LF-WH/B200SR-LF-IV) are fully compatible with existing B501BH Series sounder base installations. The device enables users to select one of two B501-supported tones (ANSI Temporal 3 or Continuous) through a jumper.

The B200S sounder and -LF sounder bases (B200S-WH/B200S-IV/B200S-LF-WH/B200S-LF-IV) adopt the same address as the detector, but use a unique device type on the loop. The Fire Alarm Control Panel (FACP) can use that address to command an individual sounder — or a group of sounders — to activate. The command set from the FACP can be tailored to multiple event-driven tone outputs allowing selection of volume (75 or 85 dBA), tone (ANSI Temporal 3, ANSI Temporal 4, or March Time) and group. In addition, some FACP's will enable custom tone patterns. The B200S series sounder bases recognize the System Sensor synchronization protocol. This enables them to be used as a component of the general evacuation signal — along with other System Sensor AV appliances — when connected to a power supply or FACP output capable of generating the System Sensor synchronization pulses.



B300-6 Standard  
6" Base (White)



B200S-WH  
Sounder Base (White)



B501-WHITE Flangeless  
4" Base (White)



B501-BL Flangeless  
4" Base (Black)

## Specifications

**NOTE:** Specifications applies to all model variants "A", "-BL", "-LF", "-IV", "-WH", "-WHITE". See Product Line Information for detailed model description.

### Diameter

- B501-WHITE: 4" (10.16 cm) diameter.
- B300-6: 6.1" (15.49 cm) diameter.
- B224BI, B224RB: 6.2" (15.748 cm) diameter.
- B200S, B200SR, B200SCOA: 6.875" (17.46 cm) diameter.

### Wire gauge:

- B224BI, B224RB: 14 to 24 AWG.
- B300-6, B210LP, B501, B200S, B200SR, B200SCOA: 12 to 24 AWG

### Temperature range:

- B224BI, B224RB, B200S, B200SR, B200SCOA: 32°F to 120°F (0°C to 49°C).
- B300-6, B210LP, B501: -4°F to 150°F (-20°C to 66°C).

### Humidity range: 10% to 93% RH, non-condensing.

**System temperature and humidity ranges:** This system meets NFPA requirements for operation at 0°C to 49°C (32°F to 120°F); and at a relative humidity (non-condensing) of 85% at 30°C (86°F) per NFPA, and 93% ± 2% at 32°C ± 2°C (89.6°F ± 1.1°F) per ULC. However, the useful life of the system's standby batteries and the electronic components may be adversely affected by extreme temperature ranges and humidity. Therefore, it is recommended that this system and all peripherals be installed in an environment with a nominal room temperature of 15°C to 27°C (60°F to 80°F).

## Electrical Ratings

### FOR B300-6 SERIES BASES:

**Operating voltage:** 15 to 32 VDC

**Standby current:** 170  $\mu$ A maximum

### FOR B501 SERIES BASES:

**Operating voltage:** 15 to 32 VDC

**Standby current:** 150  $\mu$ A maximum

### FOR B200 SERIES BASES:

**External supply voltage:** 16 to 33 VDC (FWR)

**Standby current:**

500  $\mu$ A maximum.

**Alarm current:**

- B200S(A)(-IV)(-WH)
  - 35 mA maximum at high-volume setting
  - 15 mA maximum at low-volume setting
- B200S-LF(-IV)(-WH) High-volume setting:
  - 70 mA maximum @ 33.0 VDC
  - 90 mA maximum @ 24.0 VDC
  - 140 mA maximum @ 16.0 VDC
- B200S-LF(-IV)(-WH) Low-volume setting:
  - 15 mA maximum @ 33.0 VDC
  - 20 mA maximum @ 24.0 VDC
  - 25 mA maximum @ 16.0 VDC
- B200SR(A)(-IV)(-WH)
  - 35 mA maximum
- B200SR-LF(-IV)(-WH)
  - 65 mA maximum @ 33.0 VDC
  - 90 mA maximum @ 24.0 VDC
  - 125 mA maximum @ 16.0 VDC
- B200SCOA(-IV)(-WH)
  - 40mA Max (DC)
  - 70mA Max (FWR)

**SLC operating voltage:** 15 to 32 VDC

**SLC standby current:** See applicable sensor specification.

**Sound output:**

- B200S(A)(-LF)(-IV)(-WH), high-volume\*: Greater than 85 dBA minimum.
- B200S(A)(-LF)(-IV)(-WH), low-volume\*: Greater than 75 dBA minimum.
- B200SR(A)(-LF)(-IV)(-WH)\*: Greater than 85 dBA minimum.
- B200SCOA(-IV)(-WH), high-volume\*\*: Greater than 87 dBA minimum.
- B200SCOA(-IV)(-WH), low-volume\*\*\*: Greater than 85 dBA minimum

\*Measured in a UL reverberant room at 10 feet, 24 Volts (continuous tone)

\*\*Measured in a ULC anechoic room at 10 feet, 24 Volts continuous tone)

### FOR B224BI, B224RB (A) (-IV) (-WH):

**Operating voltage:** 15 to 32 VDC (powered by SLC)

**Standby ratings:** <450  $\mu$ A maximum @ 24 VDC

**Set time (B224RB(A)(-IV)(-WH) only):** short delay 60-100 milliseconds; long delay 6-10 seconds

**Reset time (B224RB(A)(-IV)(-WH) only):** 20 milliseconds maximum

**Relay characteristics (B224RB(A)(-IV)(-WH) only):** two-coil latching relay; one Form-C contact; ratings (UL/CSA): 0.9 A @ 125 VAC, 0.9 A @ 110 VDC, and 3.0 A @ 30 VDC

## Product Line Information

### INTELLIGENT BASES

**NOTE:** "A" suffix indicates ULC Listed model.

**NOTE:** "-IV" suffix indicates Ivory color model.

**NOTE:** "-BL" suffix indicates Black color model.

**NOTE:** "-WH" and "-WHITE" suffix indicates White color model.

**B210LP:** Flanged mounted base.

**B210LPA:** Same as B210LP; ULC listed.

**B210LPBP:** Bulk pack of B210LP, contains 10.

**B300-6:** White, 6" base, standard flanged low-profile mounting base.

**B300A-6:** Same as B300-6, ULC listed.

**B300-6-BP:** Bulk pack of B300-6, package contains 10;.

**B300-6-IV:** Ivory, 6" base, standard flanged low-profile mounting base.

**B300A-6-IV:** Ivory, 6" standard flanged low-profile mounting base, ULC listed.

**B501-WHITE:** White, 4" standard European flangeless mounting base. UL/ULC listed.

**B501-WHITE-BP:** Bulk pack of B501-WHITE contains 10.

**B501-BL:** Black, 4" standard European flangeless mounting base. UL/ULC listed.

**B501-IV:** Ivory color, 4" standard European flangeless mounting base. UL/ULC listed.

**B224RB-WH:** White, relay base.

**B224RB-IV:** Ivory, relay base.

**B224RBA-WH:** White, relay base, ULC listed.

**B224RBA-IV:** Ivory, relay base, ULC listed.

**B224BI-WH:** White, isolator detector base.

**B224BI-IV:** Ivory isolator detector base.

**B224BIA-WH:** White, isolator detector base, ULC listed.

**B224BIA-IV:** Ivory isolator detector base, ULC listed.

**B200S-WH:** White, Intelligent addressable sounder base capable of producing sound output in high or low volume with ANSI Temporal 3, ANSI Temporal 4, continuous tone, marching tone, and custom tone. Uses FlashScan® protocol.

**B200S-IV:** Ivory, Intelligent addressable sounder base capable of producing sound output in high or low volume with ANSI Temporal 3, ANSI Temporal 4, continuous tone, marching tone, and custom tone. Uses FlashScan® protocol.

**B200SA-WH:** Same as B200S-WH, ULC listed.

**B200SA-IV:** Same as B200S-IV, ULC listed.

**B200SCOA-WH:** White, Intelligent, programmable sounder base in English/French (required in Canada for ULC applications with SO Series detector applications).

**B200SCOA-IV:** Ivory Intelligent, programmable sounder base in English/French (required in Canada for ULC applications with SO Series detector applications, ULC listing).

**B200S-LF-WH:** White, Low Frequency Intelligent, programmable sounder base. Produces a fundamental frequency of 520 Hz +/- 10% with a square wave or its equivalent; designed to meet the NFPA 72 sleeping space requirement.

**B200S-LF-IV:** Ivory, Low Frequency Intelligent, programmable sounder base. Produces a fundamental frequency of 520 Hz +/- 10% with a square wave or its equivalent; designed to meet the NFPA 72 sleeping space requirement.

**B200SR-WH:** White, Intelligent sounder base capable of producing sound output with ANSI Temporal 3 or continuous tone. Intended for retrofit applications.

**B200SR-IV:** Ivory, Intelligent sounder base capable of producing sound output with ANSI Temporal 3 or continuous tone. Intended for retrofit applications.

**B200SRA-WH:** Same as B200SR-WH, ULC listed.

**B200SRA-IV:** Same as B200SR-IV in Ivory color, ULC listed.

**B200SR-LF-WH:** White, Low Frequency Intelligent, programmable sounder base. Produces a fundamental frequency of 520 Hz +/- 10% with a square wave or its equivalent; designed to meet the NFPA 72 sleeping space requirement. Intended for retrofit applications.

**B200SR-LF-IV:** Ivory, Low Frequency Intelligent, programmable sounder base. Produces a fundamental frequency of 520 Hz +/- 10% with a square wave or its equivalent; designed to meet the NFPA 72 sleeping space requirement. Intended for retrofit applications.

#### **MOUNTING KITS AND ACCESSORIES**

**TR300:** White, replacement flange for B210LP(A), B300(A)-6 bases.

**TR300-IV:** Ivory, replacement flange for B210LP(A), B300(A)-6-IV bases.

**RA100Z(A):** Remote LED annunciator. 3 – 32 VDC. Mounts to a U.S. single-gang electrical box. For use with B501(A) and B300(A)-6.

**M02-04-00:** Test magnet.

**M02-09-00:** Test magnet with telescoping handle.

**CK300:** White, detector color kit. Pack of 10.

**CK300-IR:** White, detector color kit for use with FPTI and FCO Series detectors. Pack of 10.

**CK300-IV:** Ivory, detector color kit. Pack of 10.

**CK300-IR-IV:** Ivory, detector color kit for use with FPTI and FCO Series detectors. Pack of 10.

**CK300-BL:** Black, detector color kit. Pack of 10.

**CK300-IR-BL:** Black, detector color kit for use with FPTI and FCO Series detectors. Pack of 10.

#### **Agency Listings and Approvals**

The listings and approvals below apply to intelligent bases as noted. In some cases, certain modules or applications may not be listed by certain approval agencies, or listing may be in process. Consult factory for latest listing status.

- **UL/ULC Listed:** S1115
- **FM Approved**
- **CSFM:** 7300-1653:0109, 7300-1653:0126, 7300-1653:0213, 7300-1653:0236

#### **Junction Box Selection Guide**

Base Models	Single Gang	Double Gang	3.5" Oct.	4.0" Oct.	4.0" Sq.	4.0" Sq. with 3.0" mud ring	50 mm	60 mm	70 mm	75 mm
B200S, B200SR, B200SCOA	Yes	Yes	Yes	Yes	Yes	Yes	No	No	No	No
B501	No	No	Yes	No	No	Yes	Yes	Yes	Yes	No
B210LP, B300-6	Yes	No	Yes	Yes	Yes	Yes	No	No	No	No
B224BI, B224RB	Yes	Yes	Yes	Yes	Yes	Yes	No	No	No	No

**NOTE:** Box depth contingent on base and wire size.  
Refer to National Electric Code or applicable local codes for appropriate recommendations.  
**NOTE:** Applies to all model variants "A", "-BL", "-LF", "-IV", "-WH", and "-WHITE". See Product Line Information for detailed model description.



This document is not intended to be used for installation purposes.  
We try to keep our product information up-to-date and accurate.  
We cannot cover all specific applications or anticipate all requirements.  
All specifications are subject to change without notice.

#### **NOTIFIER**

12 Clintonville Road  
Northford, CT 06472  
203.484.7161  
www.notifier.com

FlashScan®, NOTIFIER® and System Sensor® are registered trademarks of Honeywell International Inc.  
©2018 by Honeywell International Inc. All rights reserved.  
Unauthorized use of this document is strictly prohibited.  
Country of Origin: Mexico





# FCM-1(A) & FRM-1(A) Series

## Control and Relay Modules



Intelligent / Addressable Devices

### General

**FCM-1(A) Control Module:** The FCM-1(A) Addressable Control Module provides Notifier intelligent fire alarm control panels a circuit for Notification Appliances (horns, strobes, speakers, etc.). Addressability allows the FCM-1(A) to be activated, either manually or through panel programming, on a select (zone or area of coverage) basis.

**FRM-1(A) Relay Module:** The FRM-1(A) Addressable Relay Module provides the system with a dry-contact output for activating a variety of auxiliary devices, such as fans, dampers, control equipment, etc. Addressability allows the dry contact to be activated, either manually or through panel programming, on a select basis.

FlashScan® (U.S. Patent 5,539,389) is a communication protocol developed by NOTIFIER Engineering that greatly enhances the speed of communication between analog intelligent devices. Intelligent devices communicate in a grouped fashion. If one of the devices within the group has new information, the panel CPU stops the group poll and concentrates on single points. The net effect is response speed greater than five times that of other designs.



FCM-1(A)

### Features

- Built-in type identification automatically identifies these devices to the control panel.
- Internal circuitry and relay powered directly by two-wire SLC loop. The FCM-1(A) module requires power (for horns, strobes, etc.), or audio (for speakers).
- Integral LED “blinks” green each time a communication is received from the control panel and turns on in steady red when activated.
- LED blink may be deselected globally (affects all devices).
- High noise immunity (EMF/RFI).
- The FCM-1(A) may be used to switch 24-volt NAC power, audio (up to 70.7 Vrms).
- Wide viewing angle of LED.
- SEMS screws with clamping plates for wiring ease.
- Direct-dial entry of address 01– 159 for FlashScan loops, 01 – 99 for CLIP mode loops.
- Speaker, and audible/visual applications may be wired for Class B or A (Style Y or Z).

### Applications

The FCM-1(A) is used to switch 24 VDC audible/visual power, high-level audio (speakers). The FRM-1(A) may be programmed to operate dry contacts for applications such as door holders or Air Handling Unit shutdown, and to reset four-wire smoke detector power.

**NOTE:** Refer to the SLC Manual (PN 51253) for details regarding releasing applications with the FCM-1(A). Refer to the FCM-1-REL datasheet (DN-60390) for new FlashScan® releasing applications.

### Construction

- The face plate is made of off-white heat-resistant plastic.
- Controls include two rotary switches for direct-dial entry of address (01-159).

- The FCM-1(A) is configured for a single Class B (Style Y) or Class A (Style Z) Notification Appliance Circuit.
- The FRM-1(A) provides two Form-C dry contacts that switch together.

### Operation

Each FCM-1(A) or FRM-1(A) uses one of 159 possible module addresses on a SLC loop (99 on CLIP loops). It responds to regular polls from the control panel and reports its type and status, including the open/normal/short status of its Notification Appliance Circuit (NAC). The LED blinks with each poll received. On command, it activates its internal relay. The FCM-1(A) supervises Class B (Style Y) or Class A (Style Z) notification or control circuits.

Upon code command from the panel, the FCM-1(A) will disconnect the supervision and connect the external power supply in the proper polarity across the load device. The disconnection of the supervision provides a positive indication to the panel that the control relay actually turned ON. The external power supply is always relay isolated from the communication loop so that a trouble condition on the external power supply will never interfere with the rest of the system.

Rotary switches set a unique address for each module. The address may be set before or after mounting. The built-in TYPE CODE (not settable) will identify the module to the control panel, so as to differentiate between a module and a sensor address.

### Specifications for FCM-1(A)

**Normal operating voltage:** 15 to 32 VDC.

**Maximum current draw:** 6.5 mA (LED on).

**Average operating current:** 350  $\mu$ A direct poll, 375  $\mu$ A group poll with LED flashing, 485  $\mu$ A Max. (LED flashing, NAC shorted.)

Maximum NAC Line Loss: 4 VDC.

**External supply voltage (between Terminals T10 and T11):** Maximum (NAC): Regulated 24 VDC; Maximum (Speakers): 70.7 V RMS, 50W.

**Drain on external supply:** 1.7 mA maximum using 24 VDC supply; 2.2 mA Maximum using 80 VRMS supply.

**Max NAC Current Ratings:** For class B wiring system, the current rating is 3A; For class A wiring system, the current rating is 2A.

**Temperature range:** 32°F to 120°F (0°C to 49°C).

**Humidity range:** 10% to 93% non-condensing.

**Dimensions:** 4.5" (114.3 mm) high x 4" (101.6 mm) wide x 1.25" (31.75 mm) deep. Mounts to a 4" (101.6 mm) square x 2.125" (53.975 mm) deep box.

**Accessories:** SMB500 Electrical Box; CB500 Barrier

### Specifications for FRM-1(A)

**Normal operating voltage:** 15 to 32 VDC.

**Maximum current draw:** 6.5 mA (LED on).

**Average operating current:** 230 µA direct poll; 255 µA group poll.

**EOL resistance:** not used.

**Temperature range:** 32°F to 120°F (0°C to 49°C).

**Humidity range:** 10% to 93% non-condensing.

**Dimensions:** 4.5" (114.3 mm) high x 4" (101.6 mm) wide x 1.25" (31.75 mm) deep. Mounts to a 4" (101.6 mm) square x 2.125" (53.975 mm) deep box.

**Accessories:** SMB500 Electrical Box; CB500 Barrier

### Agency Listings and Approvals

In some cases, certain modules may not be listed by certain approval agencies, or listing may be in process. Consult factory for latest listing status.

- **UL:** S635
- **ULC:** S3705 (A version only)
- **FM Approved**
- **CSFM:** 7300-0028:0219
- **MEA:** 14-00-E
- **FDNY:** COA #6067, #6065

### Contact Ratings for FRM-1(A)

Current Rating	Maximum Voltage	Load Description	Application
3 A	30 VDC	Resistive	Non-Coded
2 A	30 VDC	Resistive	Coded
.9 A	110 VDC	Resistive	Non-Coded
.9 A	125 VDC	Resistive	Non-Coded
.5 A	30 VDC	Inductive (L/R=5ms)	Coded
1 A	30 VDC	Inductive (L/R=2ms)	Coded
.3 A	125 VAC	Inductive (PF=0.35)	Non-Coded
1.5 A	25 VAC	Inductive (PF=0.35)	Non-Coded
.7 A	70.7 VAC	Inductive (PF=0.35)	Non-Coded
2 A	25 VAC	Inductive (PF=0.35)	Non-Coded

**NOTE:** Maximum (Speakers): 70.7 V RMS, 50 W

### Product Line Information

**NOTE:** "A" suffix indicates ULC Listed model.

**FCM-1(A):** Intelligent Addressable Control Module.

**FRM-1(A):** Intelligent Addressable Relay Module.

**A2143-20:** Capacitor, required for Class A (Style Z) operation of speakers.

**SMB500:** Optional Surface-Mount Backbox.

**CB500:** Control Module Barrier — required by UL for separating power-limited and non-power limited wiring in the same junction box as FCM-1(A).

**NOTE:** For installation instructions, see the following documents:

- *FCM-1(A) Installation document I56-1169.*
- *FRM-1(A) Installation document I56-3502.*
- *Notifier SLC Wiring Manual, document 51253.*

Notifier® and FlashScan® are registered trademarks of Honeywell International Inc.

©2011 by Honeywell International Inc. All rights reserved. Unauthorized use of this document is strictly prohibited.



This document is not intended to be used for installation purposes. We try to keep our product information up-to-date and accurate. We cannot cover all specific applications or anticipate all requirements. All specifications are subject to change without notice.



Made in the U.S. A.

For more information, contact Notifier. Phone: (203) 484-7161, FAX: (203) 484-7118.  
www.notifier.com



# Indoor Selectable-Output Horns, Strobes, and Horn Strobes for Wall Applications

*System Sensor L-Series audible visible notification products are rich with features guaranteed to cut installation times and maximize profits with lower current draw and modern aesthetics.*

## Features

- Updated Modern Aesthetics
- Small profile devices for Horns and Horn Strobes
- Plug-in design with minimal intrusion into the back box
- Tamper-resistant construction
- Automatic selection of 12- or 24-volt operation at 15 and 30 candela
- Field-selectable candela settings on wall units: 15, 30, 75, 95, 110, 135, and 185
- Horn rated at 88+ dBA at 16 volts
- Rotary switch for horn tone and two volume selections
- Mounting plate for all standard and all compact wall units
- Mounting plate shorting spring checks wiring continuity before device installation
- Electrically Compatible with legacy SpectrAlert and SpectAlert Advance devices
- Compatible with MDL3 sync module
- Listed for wall mounting only

## Agency Listings



**The System Sensor L-Series** offers the most versatile and easy-to-use line of horns, strobes, and horn strobes in the industry with lower current draws and modern aesthetics. With white and red plastic housings, standard and compact devices, and plain, FIRE, and FUEGO-printed devices, System Sensor L-Series can meet virtually any application requirement.

The L-Series line of wall-mount horns, strobes, and horn strobes include a variety of features that increase their application versatility while simplifying installation. All devices feature plug-in designs with minimal intrusion into the back box, making installations fast and foolproof while virtually eliminating costly and time-consuming ground faults.

To further simplify installation and protect devices from construction damage, the L-Series utilizes a universal mounting plate for all models with an onboard shorting spring, so installers can test wiring continuity before the device is installed.

Installers can also easily adapt devices to a suit a wide range of application requirements using field-selectable candela settings, automatic selection of 12- or 24-volt operation, and a rotary switch for horn tones with two volume selections.

# L-Series Specifications

## Architect/Engineer Specifications

### General

L-Series standard horns, strobes, and horn strobes shall mount to a standard 2 x 4 x 1 7/8-inch back box, 4 x 4 x 1 1/2-inch back box, 4-inch octagon back box, or double-gang back box. L-Series compact products shall mount to a single-gang 2 x 4 x 1 7/8-inch back box. A universal mounting plate shall be used for mounting ceiling and wall products for all standard models and a separate universal mounting plate shall be used for mounting wall compact models. The notification appliance circuit wiring shall terminate at the universal mounting plate. Also, L-Series products, when used with the Sync•Circuit™ Module accessory, shall be powered from a non-coded notification appliance circuit output and shall operate on a nominal 12 or 24 volts. When used with the Sync•Circuit Module, 12-volt-rated notification appliance circuit outputs shall operate between 8.5 and 17.5 volts; 24-volt-rated notification appliance circuit outputs shall operate between 16.5 and 33 volts. Indoor L-Series products shall operate between 32 and 120 degrees Fahrenheit from a regulated DC or full-wave rectified unfiltered power supply. Strobes and horn strobes shall have field-selectable candela settings including 15, 30, 75, 95, 110, 135, and 185.

### Strobe

The strobe shall be a System Sensor L-Series Model \_\_\_\_\_ listed to UL 1971 and shall be approved for fire protective service. The strobe shall be wired as a primary-signaling notification appliance and comply with the Americans with Disabilities Act requirements for visible signaling appliances, flashing at 1 Hz over the strobe's entire operating voltage range. The strobe light shall consist of a xenon flash tube and associated lens/reflector system.

### Horn Strobe Combination

The horn strobe shall be a System Sensor L-Series Model \_\_\_\_\_ listed to UL 1971 and UL 464 and shall be approved for fire protective service. The horn strobe shall be wired as a primary-signaling notification appliance and comply with the Americans with Disabilities Act requirements for visible signaling appliances, flashing at 1 Hz over the strobe's entire operating voltage range. The strobe light shall consist of a xenon flash tube and associated lens/reflector system. The horn shall have two audibility options and an option to switch between a temporal three pattern and a non-temporal (continuous) pattern. These options are set by a multiple position switch. The horn on horn strobe models shall operate on a coded or non-coded power supply.

### Synchronization Module

The module shall be a System Sensor Sync•Circuit model MDL3 listed to UL 464 and shall be approved for fire protective service. The module shall synchronize SpectraAlert strobes at 1 Hz and horns at temporal three. Also, while operating the strobes, the module shall silence the horns on horn strobe models over a single pair of wires. The module shall mount to a 4 1/16 x 4 1/16 x 2 1/8-inch back box. The module shall also control two Style Y (class B) circuits or one Style Z (class A) circuit. The module shall synchronize multiple zones. Daisy chaining two or more synchronization modules together will synchronize all the zones they control. The module shall not operate on a coded power supply.

## Physical/Electrical Specifications

<b>Standard Operating Temperature</b>	32°F to 120°F (0°C to 49°C)
<b>Humidity Range</b>	10 to 93% non-condensing
<b>Strobe Flash Rate</b>	1 flash per second
<b>Nominal Voltage</b>	Regulated 12 DC or regulated 24 DC/FWR <sup>1,2</sup>
<b>Operating Voltage Range</b>	8 to 17.5 V (12 V nominal) or 16 to 33 V (24 V nominal)
<b>Operating Voltage Range MDL3 Sync Module</b>	8.5 to 17.5 V (12 V nominal) or 16.5 to 33 V (24 V nominal)
<b>Input Terminal Wire Gauge</b>	12 to 18 AWG
<b>Wall-Mount Dimensions (including lens)</b>	5.6" L x 4.7" W x 1.91" D (143 mm L x 119 mm W x 49 mm D)
<b>Compact Wall-Mount Dimensions (including lens)</b>	5.26" L x 3.46" W x 1.91" D (133 mm L x 88 mm W x 49 mm D)
<b>Horn Dimensions</b>	5.6" L x 4.7" W x 1.25" D (143 mm L x 119 mm W x 32 mm D)
<b>Compact Horn Dimensions</b>	5.25" L x 3.45" W x 1.25" D (133mm L x 88mm W x 32mm D)

1. Full Wave Rectified (FWR) voltage is a non-regulated, time-varying power source that is used on some power supply and panel outputs.

2. Strobe products will operate at 12 V nominal only for 15 cd and 30 cd.



## UL Current Draw Data

UL Max. Strobe Current Draw (mA RMS)				
Candela Range	Candela	8-17.5 Volts		
		DC	16-33 Volts DC	FWR
Candela Range	15	88	43	60
	30	143	63	83
	75	N/A	107	136
	95	N/A	121	155
	110	N/A	148	179
	135	N/A	172	209
	185	N/A	222	257

UL Max. Horn Current Draw (mA RMS)				
Sound Pattern	dB	8-17.5 Volts		
		DC	16-33 Volts DC	FWR
Temporal	High	39	44	54
Temporal	Low	28	32	54
Non-Temporal	High	43	47	54
Non-Temporal	Low	29	32	54
3.1 KHz Temporal	High	39	41	54
3.1 KHz Temporal	Low	29	32	54
3.1 KHz Non-Temporal	High	42	43	54
3.1 KHz Non-Temporal	Low	28	29	54
Coded	High	43	47	54
3.1 KHz Coded	High	42	43	54

UL Max. Current Draw (mA RMS), 2-Wire Horn Strobe, Candela Range (15-115 cd)										
DC Input	8-17.5 Volts		16-33 Volts							
	15cd	30cd	15cd	30cd	75cd	95cd	110cd	135cd	185cd	
Temporal High	98	158	54	74	121	142	162	196	245	
Temporal Low	93	154	44	65	111	133	157	184	235	
Non-Temporal High	106	166	73	94	139	160	182	211	262	
Non-Temporal Low	93	156	51	71	119	139	162	190	239	
3.1K Temporal High	93	156	53	73	119	140	164	190	242	
3.1K Temporal Low	91	154	45	66	112	133	160	185	235	
3.1K Non-Temporal High	99	162	69	90	135	157	175	208	261	
3.1K Non-Temporal Low	93	156	52	72	119	138	162	192	242	

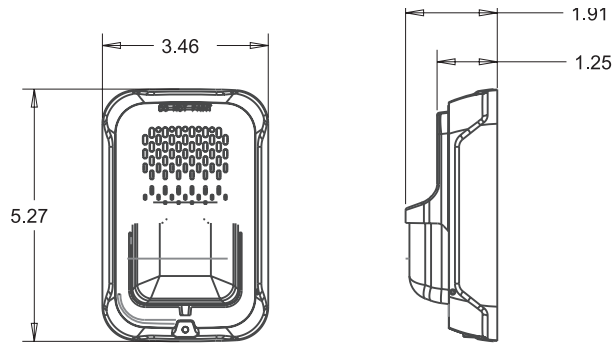
FWR Input	16-33 Volts						
	15cd	30cd	75cd	95cd	110cd	135cd	185cd
Temporal High	83	107	156	177	198	234	287
Temporal Low	68	91	145	165	185	223	271
Non-Temporal High	111	135	185	207	230	264	316
Non-Temporal Low	79	104	157	175	197	235	283
3.1K Temporal High	81	105	155	177	196	234	284
3.1K Temporal Low	68	90	145	166	186	222	276
3.1K Non-Temporal High	104	131	177	204	230	264	326
3.1K Non-Temporal Low	77	102	156	177	199	234	291

## Horn Tones and Sound Output Data

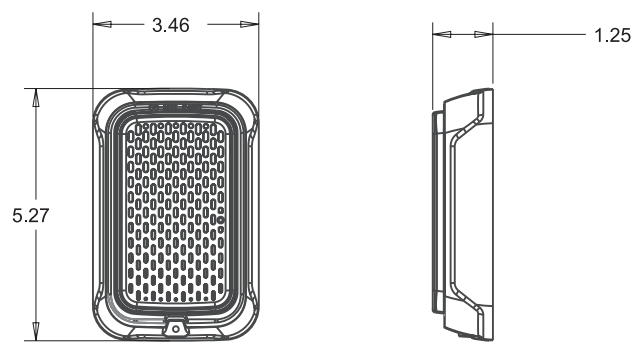
Horn and Horn Strobe Output (dBA)					
Switch Position	Sound Pattern	dB	8-17.5 Volts		FWR
			DC	16-33 Volts DC	
1	Temporal	High	84	89	89
2	Temporal	Low	75	83	83
3	Non-Temporal	High	85	90	90
4	Non-Temporal	Low	76	84	84
5	3.1 KHz Temporal	High	83	88	88
6	3.1 KHz Temporal	Low	76	82	82
7	3.1 KHz Non-Temporal	High	84	89	89
8	3.1 KHz Non-Temporal	Low	77	83	83
9*	Coded	High	85	90	90
10*	3.1 KHz Coded	High	84	89	89

\* Settings 9 and 10 are not available on the 2-wire horn strobes.

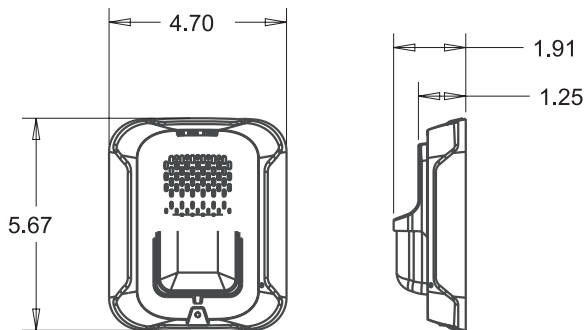
## L-Series Dimensions



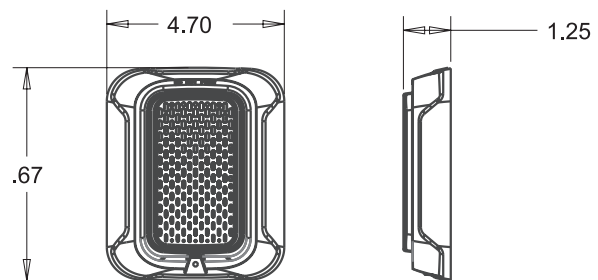
**Compact Strobe / Horn Strobe**



**Compact Horn**



**Strobe / Horn Strobe**



**Horn**

## L-Series Ordering Information

Model	Description
<b>Wall Horn Strobes</b>	
P2RL	2-Wire, Horn Strobe, Red
P2WL	2-Wire, Horn Strobe, White
P2GRL	2-Wire, Compact Horn Strobe, Red
P2GWL	2-Wire, Compact Horn Strobe, White
P2RL-P	2-Wire, Horn Strobe, Red, Plain
P2WL-P	2-Wire, Horn Strobe, White, Plain
P2RL-SP	2-Wire, Horn Strobe, Red, FUEGO
P2WL-SP	2-Wire, Horn Strobe, White, FUEGO
<b>Wall Strobes</b>	
SRL	Strobe, Red
SWL	Strobe, White
SGRL	Compact Strobe, Red
SGWL	Compact Strobe, White
SRL-P	Strobe, Red, Plain
SWL-P	Strobe, White, Plain
SRL-SP	Strobe, Red, FUEGO
SWL-CLR-ALERT	Strobe, White, ALERT

Model	Description
<b>Horns</b>	
HRL	Horn, Red
HWL	Horn, White
HGRL	Compact Horn, Red
HGWL	Compact Horn, White
<b>Accessories</b>	
TR-2	Universal Wall Trim Ring Red
TR-2W	Universal Wall Trim Ring White
SBBRL	Wall Surface Mount Back Box, Red
SBBWL	Wall Surface Mount Back Box, White
SBBGRL	Compact Wall Surface Mount Back Box, Red
SBBGWL	Compact Wall Surface Mount Back Box, White

### Notes:

All -P models have a plain housing (no "FIRE" marking on cover)  
 All -SP models have "FUEGO" marking on cover  
 All -ALERT models have "ALERT" marking on cover



3825 Ohio Avenue • St. Charles, IL 60174  
 Phone: 800-SENSOR2 • Fax: 630-377-6495  
[www.systemsensor.com](http://www.systemsensor.com)

©2017 System Sensor.  
 Product specifications subject to change without notice. Visit [systemsensor.com](http://www.systemsensor.com)  
 for current product information, including the latest version of this data sheet.  
 AVDS86503 • 03/17



## Features

- 120 VAC
- 10KA Short Circuit Current Rating
- ANSI/UL Listed 1449 4th Edition, Type 2
- CSA C22.2 No. 269.2-17 2nd edition, Type 2
- Acerbox ELOCK Circuit Lockout Kit included per NFPA 72 2013 10.6.5.2
- Surface or conduit mounting
- Diagnostic indicator light
- Self restoring
- 3 Wire device (18" length)

An ideal choice for your 120VAC applications, the E120V-GT maintains system integrity and protects against transients introduced into electrical lines via poor atmospheric and utility conditions as well as internally generated inductive loads.

Not only is the E-120V-GT robust enough to absorb a spike, but to also clamp long enough to trip the branch circuit breaker and still be functional for additional surges. Reduce downtime associated with power surges and lightning strikes, prevent interruption of recurring monthly revenue based systems, and eliminate non-billable service calls and expensive repairs by protecting your equipment with this invaluable device.

## Applications

- Fire alarm control panels
- Mass notification systems
- Dedicated branch circuits
- Amplifiers, motors, pumps, and power boosters

## Specifications

All 120 VAC equipment will have Transient Voltage Surge Suppression (TVSS) protection manufactured by Space Age Electronics, Inc., part number E120V-GT. The unit shall be ANSI/UL listed to standard 1449, 4th edition and will be labeled clearly with indelible ink. Can be attached via the 3/4" rigid coupling, or surface mounted via the 2 external mounting holes. The unit shall have thermal fuses to protect against fire in short circuit conditions and will have 18" long, 14 gauge wires (3x) with a green ground wire. The enclosure will be a non dielectric material UL94 QMFZ2/8 grade material providing UV protection. The unit shall provide visual indication (LED) that unit is protecting and functioning.



## Performance Specifications

**Short Circuit Current Rating (SCCR):** 10kA  
**Enclosure Material:** UL94 QMFZ2/8 (green)  
**VPR=700 (L-N) 700 (L-G) 600 (N-G) Capacitance:** < 2,000 pf  
**Clamping Response Time:** < 5 nanoseconds  
**Current:** Non-Load Bearing  
**Max Operating Voltage (MCOV):** 140VAC, 50/60 Hz  
**Design:** Thermally Fused Hybrid  
**Operation Indicators:** LED  
**Max Surge Current:** 25kA  
**Energy Dissipation:** 500J  
**Clamping Voltage:** 230V RMS

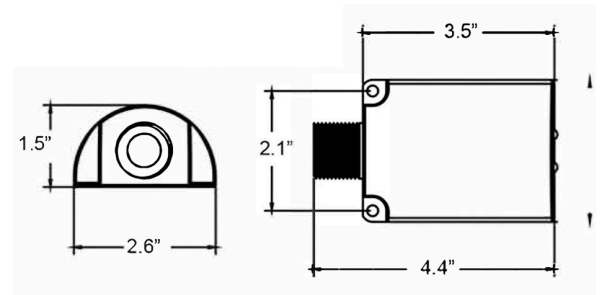
## Operating Specifications

**Service Voltage:** 120VAC Single Phase  
**Circuits Protected:** L-N L-G N-G  
**Connection Type:** Hardwired  
**Installation Configuration:** Parallel

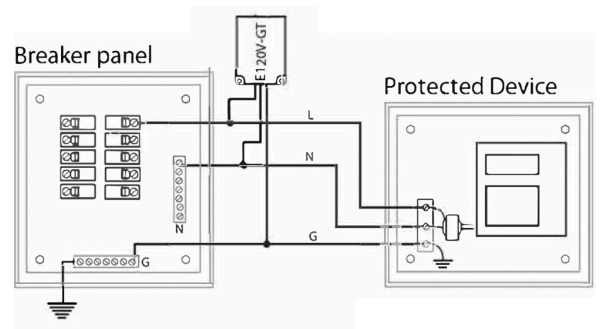
## Compliance Specifications

**UL Listed:** 1449 4th Edition - VZCA  
**File Number:** E319370 Vol. 1 Sec. 1

## Dimensions



## Wiring Diagram



## Ordering Information

**P/N# E120V-GT**  
120V Hybrid Surge Protection Device (ELOCK Circuit Lockout Kit included)

**P/N# ELOCK-FA**  
Acerbox ELOCK Circuit Lockout Kit