

# BATH AND BODY WORKS

## SOUTH HILL MALL

### 3500 S. MERIDIAN STREET PUYALLUP, WA 98373

## FIRE ALARM SYSTEM

SYMBOL	QTY	DESCRIPTION	MOUNTING REQUIREMENTS	SUPPLIER	PART NUMBER
	23	INTELLIGENT PHOTO SMOKE DETECTOR	4 SQUARE DEEP w/ 3" ROUND RING	NOTIFIER	FSP-951 w/ B300-6
	12	CEILING SPEAKER w/ STROBE: WHITE SEE DEVICE DESIGNATION FOR STROBE cd SETTING	4 SQUARE DEEP w/ EXT RING; CENTER ON CEILING TILE	SYSTEM SENSOR	SFSONL
	1	CEILING STROBE: WHITE SEE DEVICE DESIGNATION FOR STROBE cd SETTING	4 SQUARE DEEP; CENTER ON CEILING TILE	SYSTEM SENSOR	SONL
	10	REMOTE LED ANNUNCIATOR		SYSTEM SENSOR	RA100Z

NOTES:  
 1- DEVICE SUBSCRIPT: NH=NEW RR=REMOVE & RELOCATE EX=EXISTING TO REMAIN AC=ABOVE CEILING RB=RELAY BASE WP=WATERPROOF WG=WIRE GUARD  
 2- CABLING SHOWN IS FOR CIRCUIT REFERENCE ONLY AND DOES NOT INTEND TO INDICATE THE EXACT PATHWAY.  
 3- DEVICES SHOWN ON DRAWINGS IN GRAY SCALE ARE EXISTING DEVICES AND MAY NOT BE INCLUDED IN THIS SYMBOL LEGEND UNLESS NOTED.  
 4- SET HORN/STROBE BESSLE SETTINGS TO LOW FROM FACTORY SETTINGS OF HIGH, UNLESS OTHERWISE NOTED ON THE DRAWINGS.  
 5- ALL DEVICES WITH A WP SUBSCRIPT WILL REQUIRE THE USE OF AN OUTDOOR OR WP BACKBOX.

### SCOPE OF WORK & DESIGN BASIS

- UPDATING TI WITH NEW SMOKE AND SPEAKER/HORN STROBES TO EXISTING FACP
- ADDING SMOKE ABOVE CEILING AND REMOTE LED ANNUNCIATORS

**DESIGN CRITERIA APPLIED CODES AND STANDARDS:**  
 NFPA 72 2019 EDITION  
 IBC 2018 EDITION WITH WASHINGTON AMENDMENTS  
 NFPA 70 (NEC) 2017 EDITION

**DOCUMENTS RECEIVED BYADT:**  
 SHEETS:  
 DATE:

### INSTALLATION & GENERAL WIRING NOTES:

**GENERAL NOTES:**

1. INSTALLATION SHALL BE ACCOMPLISHED IN STRICT COMPLIANCE WITH NFPA, LOCAL AND STATE AHJ's, NEC AND CONTRACT DRAWINGS
2. WIRE ROUTING IS DIAGRAMMATIC IN NATURE ONLY AND NOT INTENDED FOR ACTUAL CONDUIT ROUTING.
3. ALL CONDUIT SIZING AND ROUTING BY ELECTRICAL CONTRACTOR PER NEC AND AHJ.
4. VERIFY ALL LOCATIONS OF DEVICES WITH ELECTRICAL/ARCHITECTURAL PLANS. SCALE AND PLACE ALL DEVICE PER ELECTRICAL/ARCHITECTURAL PLANS.
5. ALL CIRCUITS WILL BE PROPERLY TAGGED AND TESTED FOR OPENS, SHORTS, GROUNDS AND PROPER 'END-OF-LINE' RESISTANCE. EACH CIRCUITS METER READING MUST BE DOCUMENTED AND PRESENTED TO ADT COMMERCIAL (RHF&S) FIELD TECHNICIAN UPON ARRIVAL ONSITE FOR STARTUP & CHECKOUT.
6. AS-BUILTS:
  - 6.1. A SET OF INSTALLATION AS-BUILT DRAWINGS SHOWING ACTUAL CONDUIT AND CONDUCTOR ROUTES SHALL BE KEPT BY PROJECT FOREMAN FOR USE BY ADT COMMERCIAL (RHF&S) TECHNICIAN.
  - 6.2. AS-BUILTS SHALL BE KEPT ORDERLY AND BE CLEARLY MARKED WITH DIFFERENT COLOR PENS FOR EACH CIRCUIT AND/OR CIRCUIT TYPE. AS-BUILTS MUST INDICATE CHANGES TO THE FINAL DEVICE INSTALLED LOCATIONS IF NOT INSTALLED AT LOCATION SHOWN ON DESIGN DOCUMENTS. AS-BUILT REVISIONS NOT PROVIDING THIS INFORMATION WILL BE RETURNED TO THE INSTALLATION CONTRACTOR FOR CORRECTION. ADT COMMERCIAL (RHF&S) IS NOT RESPONSIBLE FOR THESE DELAYS.
7. AGREEMENT AND CONFIRMATION OF ALL MILESTONE EVENTS WILL BE MADE WITH ADT COMMERCIAL (RHF&S) PROJECT MANAGER.
8. ALL ADT COMMERCIAL (RHF&S) FIELD SERVICES MUST BE SCHEDULED WITH ADT COMMERCIAL (RHF&S) PROJECT MANAGER WITH A MINIMUM OF 14 WORKING DAYS ADVANCE NOTICE.
9. DO NOT INSTALL LINE VOLTAGE IN SAME CONDUIT AS POWER LIMITED CABLES.

### PROJECT CONTACT INFORMATION:

**CUSTOMER:**  
 NAME: CANYON CONSTRUCTING  
 ADDRESS: 2821 SKYE RD  
 WASHOUGAL WA 98671

**CONTACT: JAMIE ARCHAMBAULT**

PHONE:  
 FAX:  
 EMAIL:

**FIRE ALARM / LIFE SAFETY PROVIDER:**  
 NAME: ADT COMMERCIAL (SEATTLE)  
 ADDRESS: 21312 30TH DRIVE SE, SUITE #103  
 BOTHELL, WA 98021

PHONE: 425-486-2600  
 FAX: 425-486-2611

**PROJECT MANAGER: DOUG MORGAN** dougmorgan@adt.com EXT:  
**DESIGNER: DIANA CLARK** dianadark@adt.com EXT:

**DESIGNER of RECORD**

AUTUMN PELATA

NICET III FIRE ALARM SYSTEMS  
 NICET I SPECIAL HAZARDS SYS  
 CERT # 109987  
 EXPIRE DATE: 11-31-2023

FOR VERIFICATION PLEASE VISIT: NICET.ORG

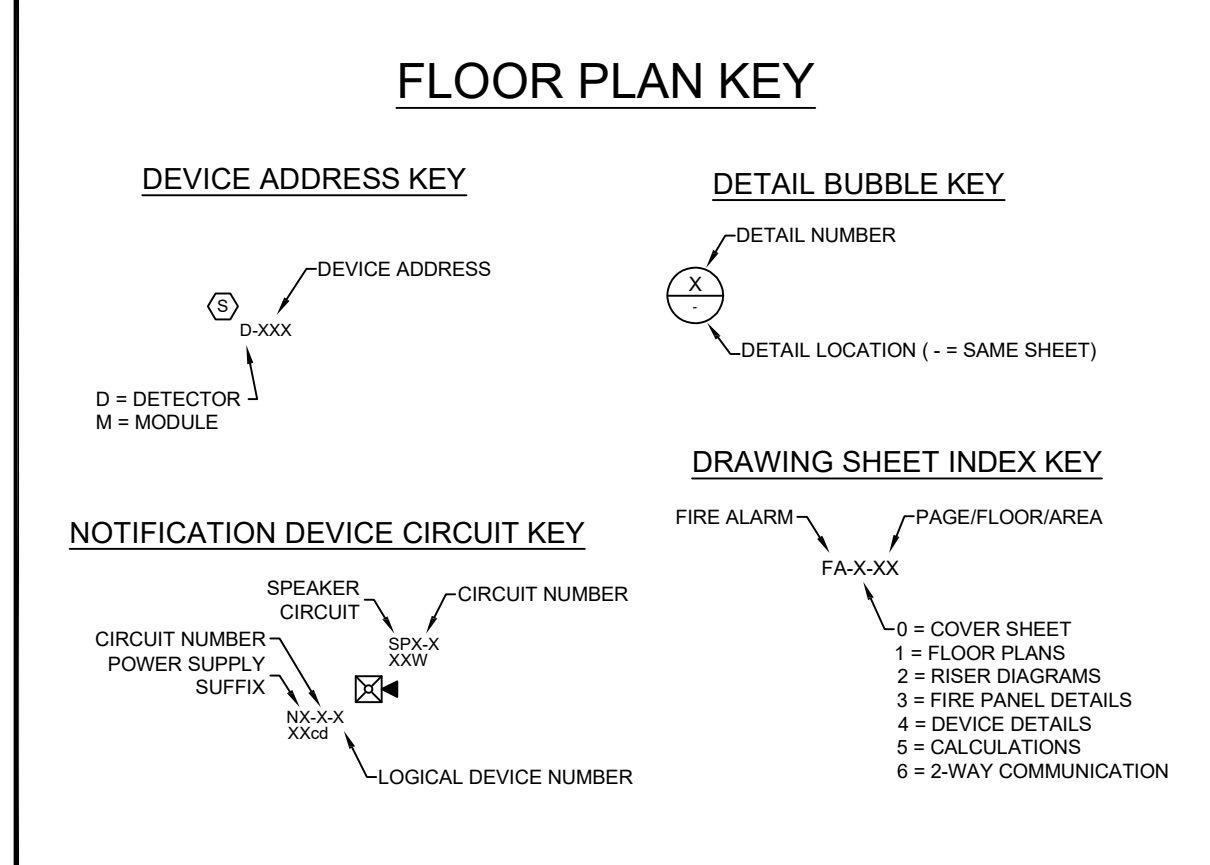
### WIRE LEGEND

SYMBOL	DESCRIPTION	WEST PENN P/N	COLOR CODING	TYPE OF CIRCUIT APPLICATION	NOTES
D	1 PAIR 16AWG TWISTED \ NON SHIELDED FIRE RATED CABLE (FPLP)	60991B	RED JACKET w/ NO STRIPE	DATA (SLC) CIRCUIT	
S	1 PAIR 14AWG FIRE RATED CABLE (FPLP)	60993B	RED JACKET w/ WHITE STRIPE	STROBE (NAC) CIRCUIT	
V	1 PAIR 16AWG TWISTED \ SHIELDED FIRE RATED CABLE (FPLP)	60990B	RED JACKET w/ YELLOW STRIPE	SPEAKER (AUDIO) CIRCUIT	

NOTES:  
 \*\* STRIPES ARE NOT REQUIRED, HOWEVER IT DOES MAKE IT EASIER FOR CIRCUIT IDENTIFICATION.  
 1- WIRE MANUFACTURER IS FOR REFERENCE PURPOSE ONLY. WHEN USING OTHER MANUFACTURE, ENSURE PROPER CROSS REFERENCE  
 2- FPLP CAN BE USED IN MOST ALL APPLICATIONS WITH THE EXCLUSION OF WET AND CIRCUIT INTEGRITY REQUIREMENTS  
 3- INSTALL WIRING PER NEC. USE CABLE TYPE CONSISTENT WITH NEC REQUIREMENTS, I.E. PLENUM, RISER, UNDERGROUND, ETC.  
 4- THE "Y" FIBER OPTIC CABLE LISTED IS A BELDEN CABLE PART NUMBER AS WEST PENN NO LONGER SUPPORTS FIBER OPTIC CABLE  
 5- THIS CABLE MUST BE INSTALLED IN A CONTINUOUS PATH POINT-TO-POINT. ABSOLUTELY NO SPLICES ARE ALLOWED.  
 6- THIS IS A SPECIFIC CABLE, NO ALTERNATES ARE ALLOWED

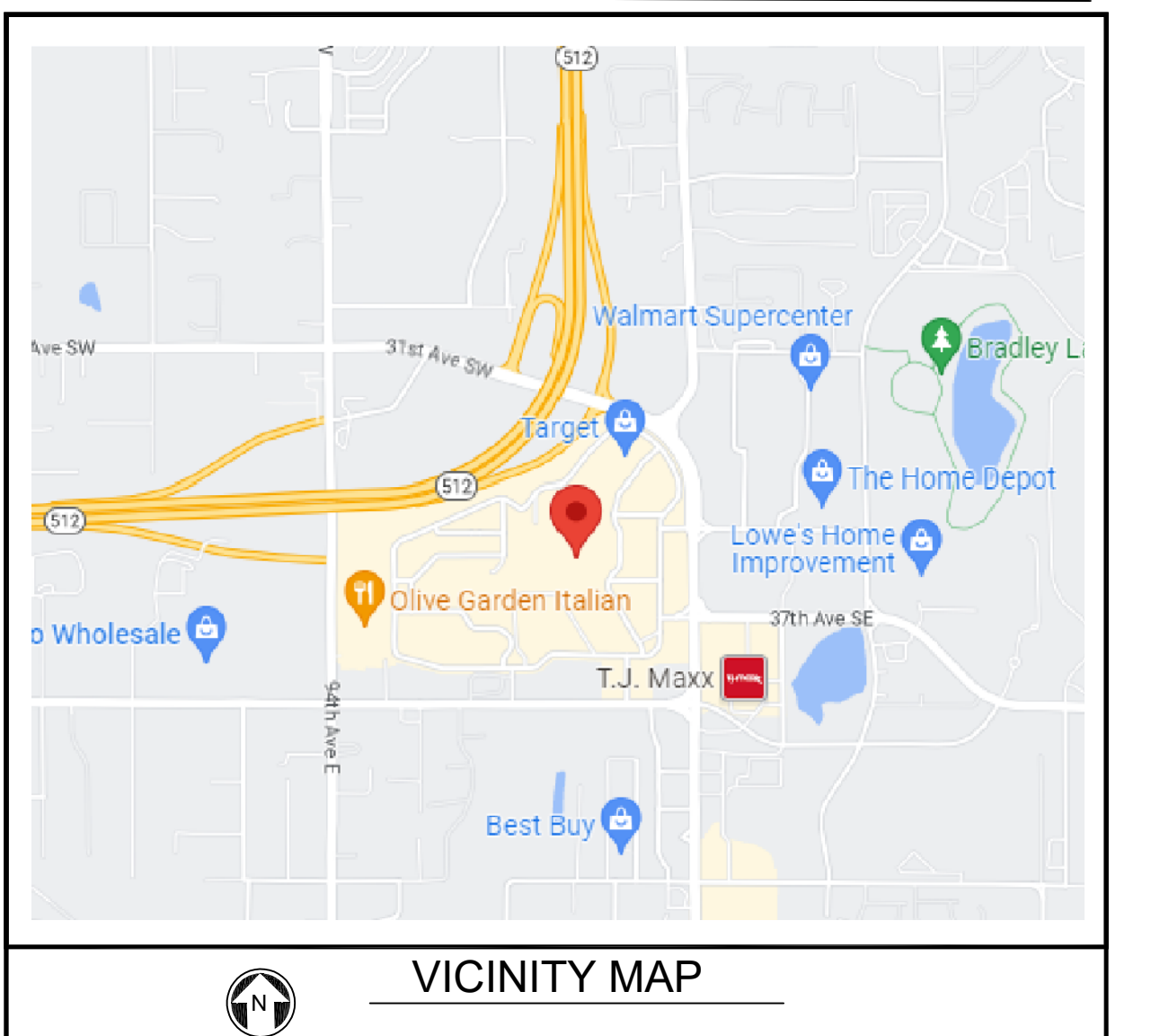
### ABBREVIATIONS

AC - ABOVE CEILING	FSD - FIRE SMOKE DAMPER (THIRD PARTY)
AFF - ABOVE FINISHED FLOOR	HVAC - HEATING, VENTILATION, AND AIR CONDITIONING (THIRD PARTY)
ADA - AMERICAN DISABILITIES ACT	LA - LOW AIR (THIRD PARTY)
AHJ - AUTHORITY HAVING JURISDICTION	NA - NOT APPLICABLE
AHU - AIR HANDLING UNIT (THIRD PARTY)	NAC - NOTIFICATION APPLIANCE CIRCUIT
ASD - ASPIRATION SMOKE DETECTION	NFPA - NATIONAL FIRE PROTECTION ASSOCIATION
CD - CANDELA (EX. 1950)	NIC - NOT IN CONTRACT
CIS - COMMON INTELLIGIBILITY SCALE	NTS - NOT TO SCALE
DH - DOOR HOLDER (THIRD PARTY UNO)	PS - POWER SUPPLY
EF - EXHAUST FAN (THIRD PARTY)	RTU - ROOF TOP UNIT (THIRD PARTY)
ELEV - ELEVATOR (THIRD PARTY)	SLC - SIGNALING LINE CIRCUIT
EOL - END OF LINE	SPP - STAR PRESSURIZATION FAN (THIRD PARTY)
EPF - ELEVATOR PRESSURIZATION FAN (THIRD PARTY)	STI - SPEECH TRANSMISSION INDEX
FA - FIRE ALARM	TYP - TYPICAL
FAA - FIRE ALARM ANNUNCIATOR	UNO - UNLESS NOTED OTHERWISE
FACP - FIRE ALARM CONTROL PANEL	VAV - VARIABLE AIR VOLUME (THIRD PARTY)
FACU - FIRE ALARM CONTROL UNIT	VFD - VARIABLE FREQUENCY DRIVE (THIRD PARTY)
FATC - FIRE ALARM TERMINAL CABINET	W - WITH
FBO - FURNISHED BY OTHERS	W - WATT (EX. 1/2W)
FCU - FAN COIL UNIT (THIRD PARTY)	WP - WATERPROOF
FF - FIREFIGHTERS TELEPHONE	XP - EXPLOSION PROOF
FM - FACTORY MUTUAL	



### FIRE ALARM SPECIFIC NOTES:

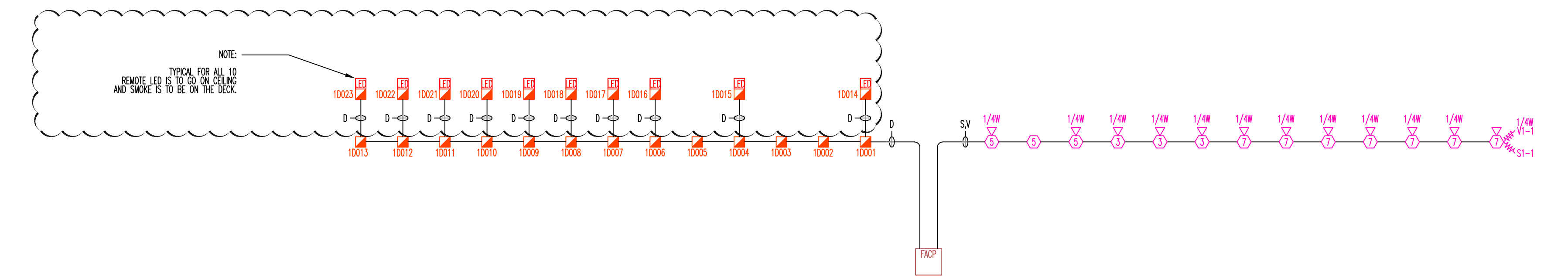
1. SMOKE DETECTORS SHALL NOT BE INSTALLED WITHIN 36" OF ANY AIR DIFFUSER.
2. 2019 NFPA 72-17.7.1.11 REQUIRES THAT SMOKE DETECTORS SHALL NOT BE INSTALLED UNTIL AFTER FINAL CONSTRUCTION CLEAN-UP.
3. ANY SMOKE DETECTORS THAT HAVE BEEN INSTALLED PRIOR TO CLEAN-UP MUST BE CLEANED OR REPLACED AND WILL BE INVOICED ON A T/M BASIS.
4. WALL MOUNTED NOTIFICATION DEVICES BACKBOX BETWEEN A MINIMUM OF 80" AFF TO A MAXIMUM OF 96" AFF.
5. DEVICES THAT ARE UNABLE TO BE MOUNTED WITHIN THAT RANGE MUST BE VERIFIED BY ADT COMMERCIAL (RHF&S) PRIOR TO INSTALLATION.
6. SEE FLOOR PLANS FOR CANDELA RATING OF EACH DEVICE INSTALLED.
7. ALL MANUAL PULL STATIONS ARE TO BE MOUNTED AT A HEIGHT NO GREATER THAN 48" TO TOP AND NO LOWER THAN 36" TO BOTTOM (PER ADA REQUIREMENTS).
8. FIELD VERIFY ALL SPRINKLER MONITORING DEVICES WITH FIRE PROTECTION CONTRACTOR.
9. FIELD VERIFY ALL HVAC, FAN CONTROL, FIRE/SMOKE DAMPERS AND DUCT DETECTORS LOCATIONS WITH MECHANICAL CONTRACTOR.
10. FACP SHALL NOT BE ENERGIZED WITHOUT THE PRESENCE OF ADT COMMERCIAL (RHF&S) TECHNICIANS.
11. NO TAPPING OF SIGNALING OR INITIATING ZONE CIRCUITS ARE ALLOWED. TAPPING OF STYLE 4 ADDRESSABLE CIRCUITS IS ALLOWED PROVIDING A SPLICE IS PROFESSIONALLY INSTALLED, POLARITY IS OBSERVED AND SHIELDS ARE CONTINUOUS AND FREE OF GROUNDS. SHIELDS MUST BE TERMINATED AT FACP ONLY.
12. CABLE SHIELDS SHALL BE SPLICED TOGETHER AT EVERY JUNCTION BETWEEN THE FACP AND THE LAST DEVICE ON EACH CABLE RUN. SHIELDS AND OTHER FIRE ALARM CONDUCTORS (EXCEPT POWER GROUNDS) SHALL BE INSULATED AND COMPLETELY FREE FROM CONDUIT OR EARTH GROUNDS. SHIELDS WILL BE TIES TO GROUND ONLY AT THE FACP BY THE ADT COMMERCIAL (RHF&S) FIELD TECHNICIAN.
13. THE SYSTEM SHALL BE MONITORED BY A U.L. LISTED MONITORING STATION BEFORE AHJ TEST.
14. AS-BUILTS ARE REQUIRED AT TIME OF AHJ ACCEPTANCE. ADT COMMERCIAL (RHF&S) REQUIRED ELECTRICAL RED LINES WITHIN 2 WEEKS PRIOR TO AHJ TESTS.
15. EACH CIRCUIT (SLC, NAC OR POWER) MUST BE CLEARLY IDENTIFIED WITH A DISTINCT COLOR.
16. EACH NAC CIRCUIT MUST BE CLEARLY MARKED AS TO WHICH DEVICES ARE ON EACH CIRCUIT AND IN THE ORDER THE DEVICES ARE WIRED TO COMPLETE THE CIRCUIT.



### SHEET INDEX

SHEET NO.	SHEET DESCRIPTION
FA0.1	COVER SHEET
FA0.2	FIRE ALARM DETAILS
FA1.1	FLOOR PLAN TI

REV #	DESCRIPTION	BY	DATE
REV0	ISSUED FOR PERMIT	DC	03/07/23
Rev#1	REVISED DRAWINGS	DC	04/7/23
Rev#	Description	By	date
Rev#	Description	By	date
Rev#	Description	By	date
Rev#	Description	By	date



SCALE:

PREPARED BY: **DC**

CHECKED BY: **AP**

DATE: **03/07/2023**

PROJECT NO: **501275872**

TITLE: **COVER SHEET**

SHEET: **FA-0-1**

## INITIATING WIRING

### SIGNATURE LOOP WIRING LIMITATIONS:

SIGNATURE DUAL DRIVER CONTROLLER MODULES SUPPORTS UP TO 250 INTELLIGENT SIGNATURE DETECTORS AND 250 INTELLIGENT SIGNATURE MODULES

### WIRE LENGTH LIMITATIONS:

#### NON-TWISTED, NON-SHIELDED WIRE

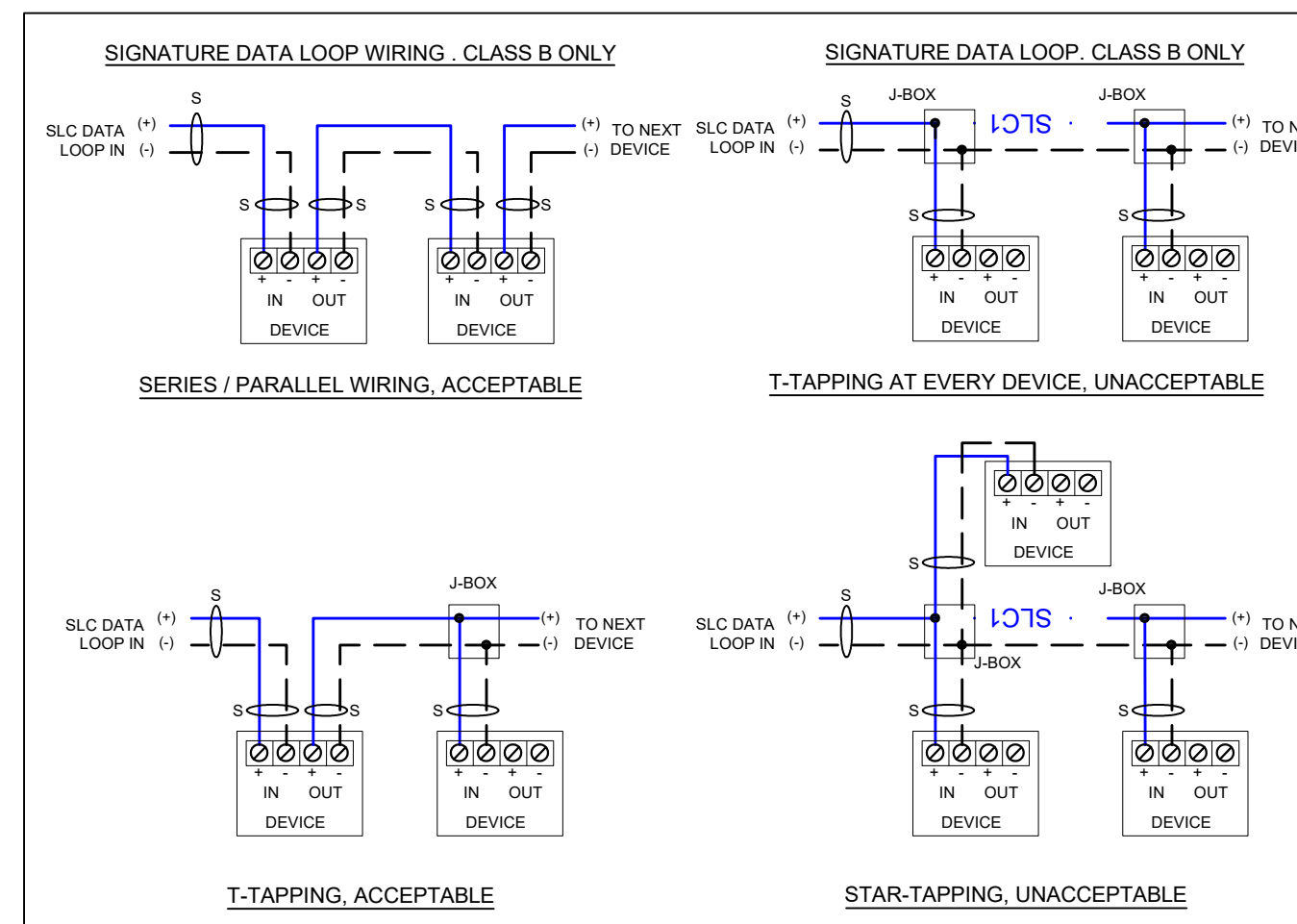
16AWG - 20p/FT & 4.02 OHMS/1000 FEET  
 18AWG - 20p/FT & 6.38 OHMS/1000 FEET  
 DETECTORS ONLY 16AWG - 125 DETECTORS - 9,275'  
 MODULES ONLY 16AWG - 125 MODULES - 7,921'  
 DETECTORS AND MODULES 16AWG - 125 OF EACH - 3,608'  
 DETECTORS ONLY 18AWG - 125 DETECTORS - 5,839'  
 MODULES ONLY 18AWG - 125 MODULES - 4,986'  
 DETECTORS AND MODULES 18AWG - 125 OF EACH - 2,271'

#### TWISTED PAIR, NON-SHIELDED WIRE

16AWG - 36p/FT & 4.02 OHMS/1000 FEET  
 18AWG - 25p/FT & 6.38 OHMS/1000 FEET  
 DETECTORS ONLY 16AWG - 125 DETECTORS - 9,275'  
 MODULES ONLY 16AWG - 125 MODULES - 7,921'  
 DETECTORS AND MODULES 16AWG - 125 OF EACH - 3,608'  
 DETECTORS ONLY 18AWG - 125 DETECTORS - 5,839'  
 MODULES ONLY 18AWG - 125 MODULES - 4,986'  
 DETECTORS AND MODULES 18AWG - 125 OF EACH - 2,271'

#### TWISTED PAIR, SHIELDED WIRE

16AWG - 82p/FT & 4.02 OHMS/1000 FEET  
 18AWG - 59p/FT & 6.38 OHMS/1000 FEET  
 DETECTORS ONLY 16AWG - 125 DETECTORS - 6,098'  
 MODULES ONLY 16AWG - 125 MODULES - 6,098'  
 DETECTORS AND MODULES 16AWG - 125 OF EACH - 3,608'  
 DETECTORS ONLY 18AWG - 125 DETECTORS - 5,839'  
 MODULES ONLY 18AWG - 125 MODULES - 4,986'  
 DETECTORS AND MODULES 18AWG - 125 OF EACH - 2,271'



## NOTIFICATION WIRING

### SPEAKER CIRCUIT WIRING LIMITATIONS:

#### WIRE LENGTH LIMITATIONS:

THE MAXIMUM ALLOWABLE WIRE LENGTH IS THE FARTHEST DISTANCE THAT A SPEAKER CIRCUIT CAN EXTEND FROM THE AMPLIFIER TO THE LAST SPEAKER WITHOUT LOSING 0.5 DB SIGNAL. THE FOLLOWING ARE MAXIMUM DISTANCE BASED ON APPROXIMATE WATTAGE OF THE SPEAKER CIRCUIT. CIRCUIT LENGTHS ARE FURTHER BASED ON ORIGINATION OF A CIRCUIT FROM EITHER THE AMPLIFIER OR FROM THE CC1 MODULE.

#### ALLOWABLE LENGTH AT 25 Vrms, WITH 0.5 dB LOSS

16AWG - 20 WATTS - 231'  
 16AWG - 30 WATTS - 154'  
 16AWG - 40 WATTS - 116'

#### ALLOWABLE LENGTH AT 70 Vrms, WITH 0.5 dB LOSS

16AWG - 20 WATTS - 1815'  
 16AWG - 30 WATTS - 1210'  
 16AWG - 40 WATTS - 907'

#### NAC CIRCUIT (HORN, STROBE) WIRING LIMITATIONS:

FOR 24VDC SYSTEMS, MINIMUM DEVICE OPERATING VOLTAGE IS 16VDC. VOLTAGE DROP CALCULATIONS ARE BASED ON 16VDC AND POWER SUPPLY DE-RATED AND ON DEPLETED BATTERY BACKUP PER THE PRESCRIBED PERIOD OF STANDBY AND ALARM RING TIME. THE VOLTAGE DROP WILL LIMIT THE CIRCUITS CAPACITY IN ALMOST ALL CASES AND CURRENT CANNOT BE USED AS THE ONLY CIRCUIT WIRING LIMITATION. ALTERATIONS TO CIRCUIT LENGTH FROM THOSE CALCULATED MAY CAUSE CIRCUITS TO BE OUT OF THE TOLERANCES GRANTED BY THE FIRE ALARM CODE. CHANGES TO DEVICE LOCATION OR CIRCUIT LENGTH SHALL BE COMMUNICATED TO THE CONVERGINT TEAM.

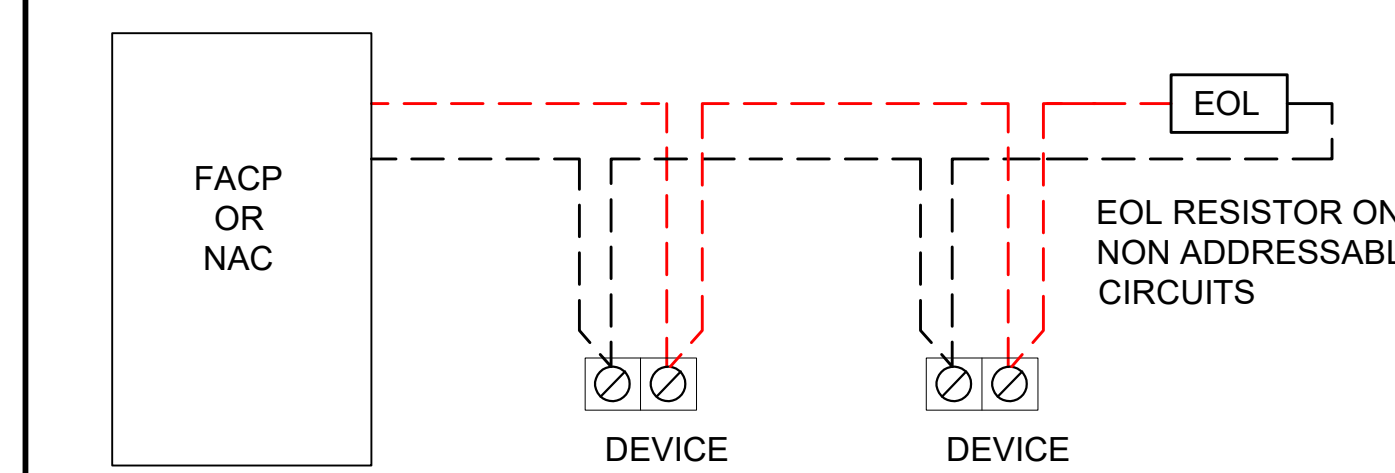
NAC CIRCUIT WIRING AND ROUTING MUST NOT EXCEED WHAT IS SHOWN ON THE DESIGN DRAWINGS AND CALCULATIONS. A VOLTAGE DROP TEST IS PART OF MOST FIRE FINALS AND IS REQUIRED BY NFPA. A FAILED FIRE FINAL MAY REQUIRE REWIRING OF THE FAILED CIRCUITS.

#### WIRE RESISTANCE RATINGS USED FOR CALCULATIONS:

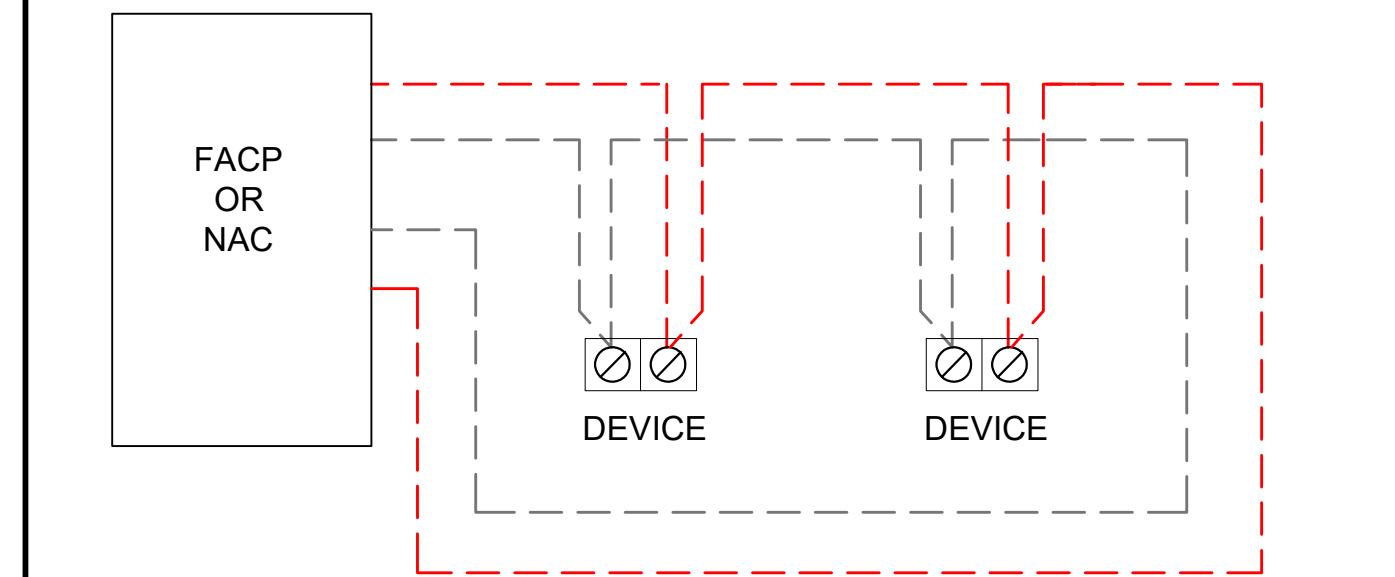
18AWG - 13 OHMS PER 1000'  
 16AWG - 8 OHMS PER 1000'  
 14AWG - 5.2 OHMS PER 1000'

EXAMPLE: 1.0 AMP CIRCUIT LOAD USING #14 WIRE = 409 FEET MAXIMUM.

## CLASS A OR B NOTIFICATION WIRING



CLASS B, STYLE 4 WIRING



CLASS A, STYLE 6 WIRING

### SEPARATION OF CLASS A CIRCUITS - INSTALLATION EXCEPTIONS:

CLASS A OUTGOING AND RETURN CONDUCTORS, EXITING AND RETURNING TO THE CONTROL PANEL, ARE TO BE ROUTED SEPARATELY. THE MINIMUM RECOMMENDED SEPARATION IS 1 FT. VERTICALLY AND 4 FT. HORIZONTALLY. THE FOLLOWING EXCEPTIONS STILL DO NOT ELIMINATE THE 2ND PAIR OF WIRES. THEY ALLOW YOU TO USE A SINGLE RACEWAY AND ELIMINATE THE SEPARATION FOR THESE CONDITIONS.

1. WHEN MAXIMUM CABLE, ENCLOSURE, OR RACEWAY IS LESS THAN 10 FEET. NO LIMIT TO NUMBER OF DEVICES.
2. UNLIMITED CONDUIT OR RACEWAY DROP TO AN INDIVIDUAL DEVICE.
3. UNLIMITED CONDUIT OR RACEWAY DROP TO A ROOM NOT EXCEEDING 1000 SQ. FT. NO LIMIT TO THE NUMBER OF DEVICES.

## RECORD DRAWINGS

### AS-BUILT / RECORD DRAWING REQUIREMENTS:

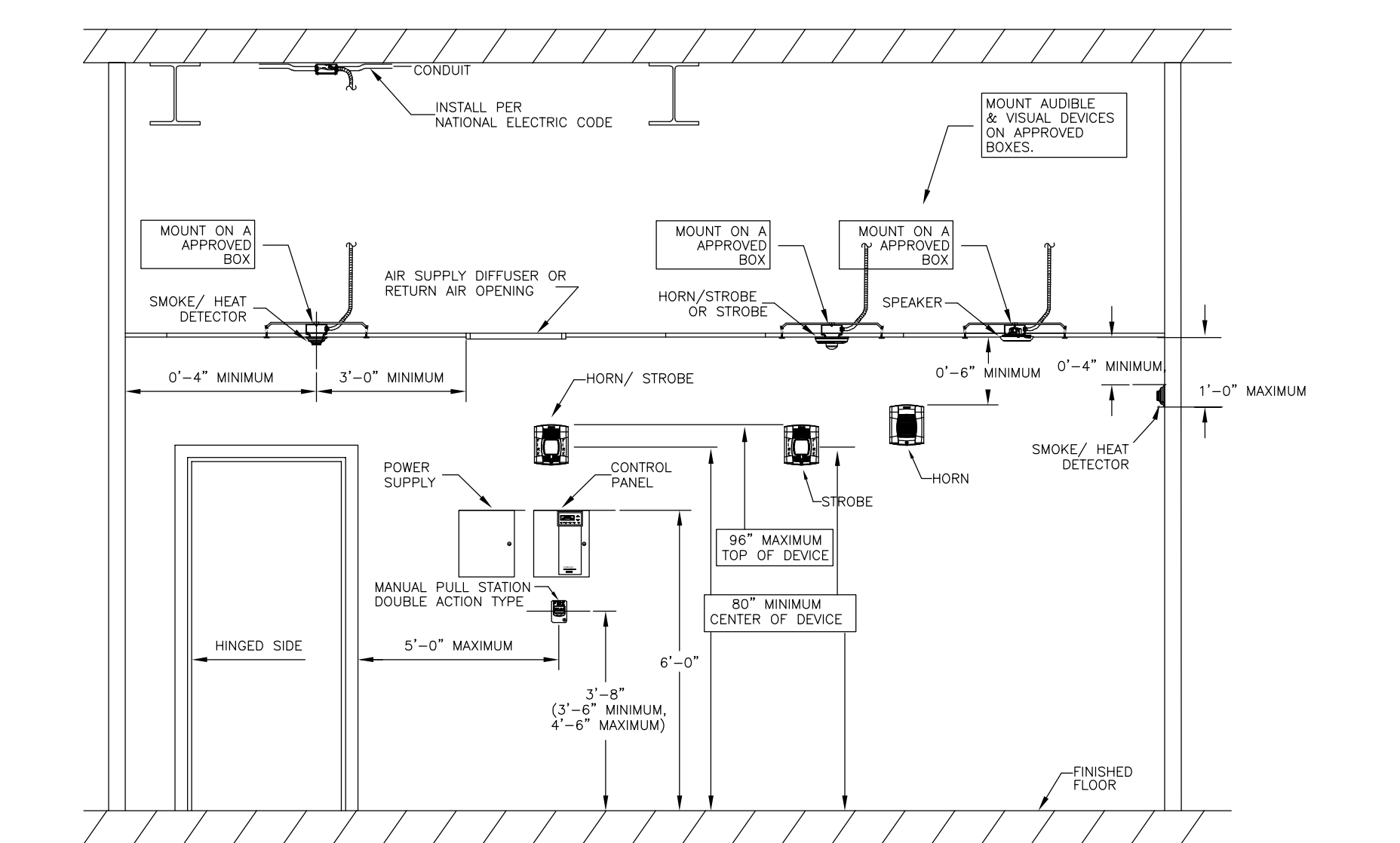
THE FOLLOWING INFORMATION SHOULD BE RECORDED ON A SEPARATE SET OF DRAWINGS FOR EACH PROJECT:

1. ANY CHANGES IN THE LOCATION OF ANY ASSOCIATED FIRE ALARM OR INTERFACE EQUIPMENT, CONTROL PANELS, ANNUNCIATORS, DETECTORS, CONTROL RELAYS, INPUT AND OUTPUT MODULES, TERMINAL CABINETS, ETC.
2. ANY CHANGES TO CIRCUIT WIRING. THIS INCLUDES DELETION OR ADDITIONAL WIRING RUNS. ANY RE-ROUTING OF CIRCUIT WIRING. ANY ADDITIONS OR DELETIONS TO THE NUMBER, LOCATION, AND ORDER OF DEVICE WIRING ON A CIRCUIT.
3. ADDRESSES AND/OR LABELS FOR ALL ADDRESSABLE DEVICES.
4. CANDELA SETTINGS OF ALL VISUAL NOTIFICATION DEVICES.
5. WATTAGE TAP SETTINGS OF ALL SPEAKER NOTIFICATION DEVICES.

ANY CHANGES SHALL BE DISCUSSED WITH CONVERGINT PROJECT MANAGER TO ENSURE SYSTEM AND CODE PARAMETERS ARE MET. CONVERGINT SHALL NOT BE HELD ACCOUNTABLE FOR CHANGES MADE WITHOUT APPROVAL.

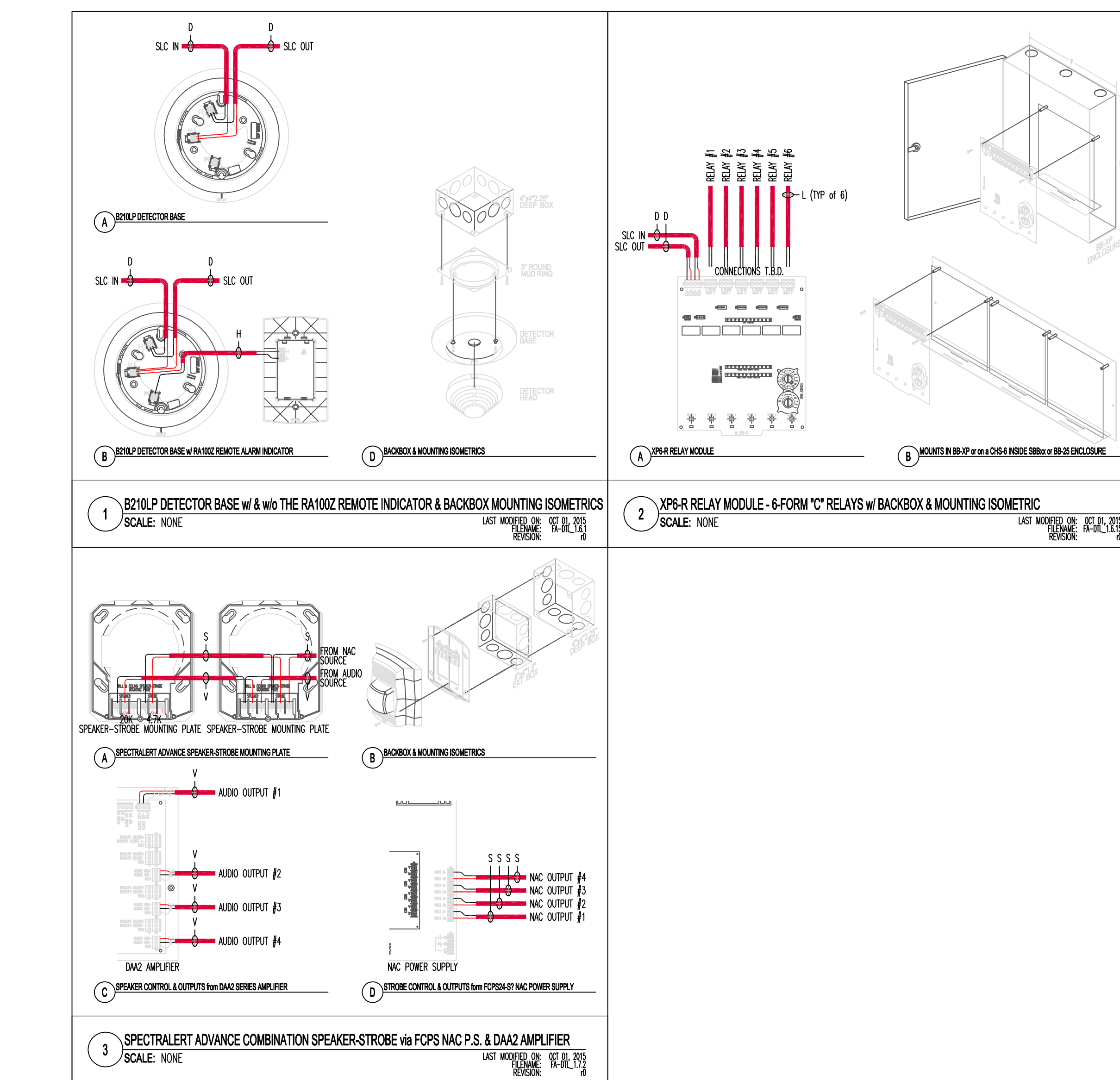
THIS INFORMATION SHALL BE NEAT AND LEGIBLE WHEN PRESENTED TO THE TECHNICIAN AT THE CONCLUSION OF THE PROJECT. PLEASE NOTE CONTACT INFORMATION ON DRAWINGS FOR INDIVIDUALS WITH FAMILIARITY OF INSTALLATION IN THE EVENT QUESTIONS ARISE DURING THE CLOSEOUT PROCESS.

## MOUNTING HEIGHTS



\* DEVICES SHOWN DEPICT DEVICE TYPES ONLY.

NFPA 72 AND ADA DEVICE INSTALLATION REQUIREMENTS



### FACP1 PSE-10

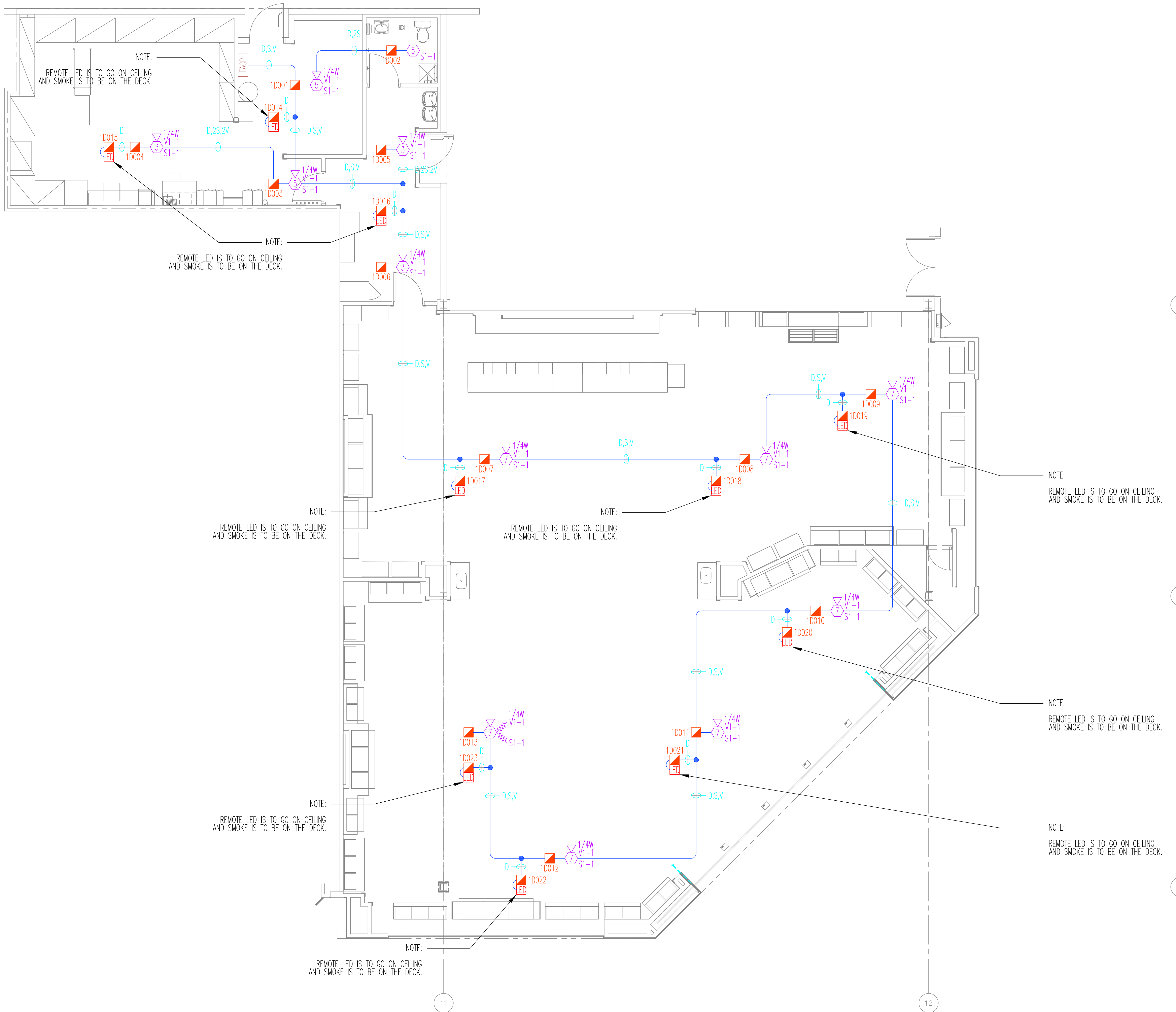
Circuit	Location	Circuit Starting VDC	Wire AWG	Device & Qty.	Device & Qty.	Device & Qty.	Device & Qty.	Device & Qty.	Device & Qty.	Device & Qty.	Device & Qty.	Circuit Alarm Sup. Current	Total devices per circuit	Circuit Length (feet)	Circuit Ohms	Circuit EOL VDC	Results
NAC1	MULTIPURPOSE ROOM	20.4	14	SCWL15 1	SPSCWL15 2	SPSCWL30 3	SPSCWL75 7					0.00	10.00	300	1.56	20.4	OK
NAC2		20.4	14									0.00	0.00	0	0.00	20.4	OK
NAC3		20.4	14									0.00	0.00	0	0.00	20.4	OK
SPARE		20.4	14									0.00	0.00	0	0.00	20.4	OK
SUPPLIED AMPS:		Field Alarm Current in Amps:										REMAINING AMPS:					
10.00 A		0.00 A										10.00 A					

REV #	DESCRIPTION	DATE	BY
REV0	ISSUED FOR PERMIT	03/07/23	DC
Rev#1	REVISED DRAWINGS	04/12/23	DC
Rev#	Description	date	By
Rev#	Description	date	By
Rev#	Description	date	By
Rev#	Description	date	By

SCALE:  
 PREPARED BY: DC  
 CHECKED BY: AP  
 DATE: 03/07/2023  
 PROJECT NO: 501275872  
 TITLE:

### FIRE ALARM DETAILS

SHEET: FA-0-2



REVISIONS		BY	DATE
REV#	DESCRIPTION	DC	03/07/23
Rev#1	ISSUED FOR PERMIT	DC	04/12/23
Rev#	Description	By	date
Rev#	Description	By	date
Rev#	Description	By	date
Rev#	Description	By	date

SCALE:  
PREPARED BY: DC  
CHECKED BY: AP  
DATE: 03/07/2023  
PROJECT NO: 501275872  
TITLE:

FLOOR PLAN TI

SHEET: FA-1-1