



21312 30th Drive SE, Suite 103, Bothell, WA. 98021
16810 E Euclid Ave, Spokane, WA. 99216

Date: 3/10/2023

Seattle Job # 23-1007

ADT Job # 501275872

System Type: 01- Fire Alarm (FAS)

Customer:

Canyon Constructing
2821 Skye RD
Washougal, WA. [Cust ZIP]

Project:

Bath & Body Works
3500 S Meridian
Puyallup, WA. 98373

Material List of Data Sheets

Item	Manufacture	Model	Description
1	NOTIFIER	FSP-951	INTELLIGENT ADDRESSABLE PHOTO DETECTOR; WITH FLASHSCAN; WHITE
2	HONEYWELL	B300-6	6 inch Base; White
3	SYSTEM SENSOR	SPSCWL	SPEAKER STROBE WHITE CEILING
4	SYSTEM SENSOR	SCWL	Ceiling Strobe, White
5	SYSTEM SENSOR	RA100Z	Remote Annunciator

This page intentionally left blank

FSP-951 Series Addressable Photoelectric Smoke Detectors

The NOTIFIER® FSP-951 Series intelligent plug-in smoke detectors are designed for both performance and aesthetics, and are direct replacements for the FSP-851 Series. A new modern, sleek, contemporary design and enhanced optical sensing chamber is engineered to sense smoke produced by a wide range of combustion sources in accordance with more stringent code standards.

The FSP-951 Series detector sensitivity can be programmed in the control panel software. Sensitivity is continuously monitored and reported to the panel. Point ID capability allows each detector's address to be set with rotary, decimal address switches, providing exact detector location for selective maintenance when chamber contamination reaches an unacceptable level. Dual electronic thermistors add 135°F (57°C) fixed temperature thermal sensing on the FSP-951T. The FSP-951R is a remote test capable detector for use with DNR Series duct detector housings. FSP-951 series detectors are available for both FlashScan® and CLIP applications as designated.

Features

SLC LOOP:

- Two-wire SLC loop connection
- Unit uses base for wiring
- Compatible with FlashScan® and CLIP protocol systems
- Stable communication technique with noise immunity

ADDRESSING:

- Addressable by device
- Rotary, decimal addressing
(Refer to the *NOTIFIER panel manuals* for device capacity.)

ARCHITECTURE:

- Sleek, low-profile, stylish design
- Unique single-source design to respond quickly and dependably to a broad range of fires
- Integral communications and built-in device-type identification
- Built-in tamper resistant feature
- Remote test feature from the panel
- Walk test with address display (an address on 121 will blink the detector LED: 12-[pause]-1 (*FlashScan systems only*))
- Built-in functional test switch activated by external magnet
- Removable cover and insect-resistant screen for simple field cleaning
- Expanded color options

OPERATION:

- Designed to meet UL 268 7th Edition
- Factory preset at 1.5% nominal sensitivity for panel alarm threshold level
- LED “blinks” when the unit is polled (communicating with the fire panel) and latches in alarm.
- Low standby current

MECHANICALS:

- Sealed against back pressure
- SEMS screws for wiring of the separate base
- Designed for direct-surface or electrical-box mounting
- Plugs into separate base for ease of installation and maintenance



- Separate base allows interchange of photoelectric, ionization and thermal sensors

OPTIONS:

- Optional relay, isolator, and sounder bases

Installation

FSP-951 Series plug-in intelligent smoke detectors use a detachable base to simplify installation, service and maintenance. Installation instructions are shipped with each detector.

Mount detector base (all base types) on an electrical backbox which is at least 1.5" (3.81 cm) deep. For a chart of compatible junction boxes, see *DN-60054*.

NOTE: Because of the inherent supervision provided by the SLC loop, end-of-line resistors are not required. Wiring “T-taps” or branches are permitted for Class “B” wiring only.

When using relay or sounder bases, consult the *ISO-X(A)* installation sheet 156-1380 for device limitations between isolator modules and isolator bases.

Construction

These detectors are constructed of fire-resistant plastic. The FSP-951 Series plug-in intelligent smoke detectors are designed to commercial standards and offer an attractive appearance.

Operation

Each FSP-951 Series detector uses one of the panel's addresses (total limit is panel dependent) on the NOTIFIER Signaling Line Circuit (SLC). It responds to regular polls from the control panel and reports its type and the status. If it receives a test command from the panel (or a local magnet test), it stimulates its electronics and reports an alarm. It blinks its LEDs when polled and turns the LEDs on when commanded by the panel. The FSP-951 Series offers features and performance that represent the latest in smoke detector technology.

Product Line Information

NOTE: “-IV” suffix indicates CLIP and FlashScan device.

FSP-951: White, low-profile intelligent photoelectric sensor, FlashScan only

FSP-951A: Same as FSP-951 but with ULC listing

FSP-951-IV: Ivory, low-profile intelligent photoelectric sensor

FSP-951A-IV: Same as FSP-951-IV but with ULC listing

FSP-951T: White, same as FSP-951 but includes a built-in 135°F (57°C) fixed-temperature thermal device, FlashScan only

FSP-951TA: Same as FSP-951T but with ULC listing

FSP-951T-IV: Ivory, same as FSP-951T but includes a built-in 135°F (57°C) fixed-temperature thermal device

FSP-951TA-IV: Same as FSP-951T-IV but with ULC listing

FSP-951R: White, low-profile intelligent photoelectric sensor, remote test capable, for use with DNR/DNRW, FlashScan only

FSP-951RA: Same as FSP-951R but with ULC listing, for use with DNRA

FSP-951R-IV: Ivory, low-profile intelligent photoelectric sensor, remote test capable, for use with DNR/DNRW

FSP-951RA-IV: Same as FSP-951R-IV but with ULC listing, for use with DNRA

INTELLIGENT BASES

NOTE: For details on intelligent bases, see DN-60981.

B300-6: White, 6" base, standard flanged low-profile mounting base (CSFM: 7300-1653:0109)

B300-6-IV: Ivory, 6" base, standard flanged low-profile mounting base (CSFM: 7300-1653:0109)

B300A-6: Same as B300-6, ULC listed

B300A-6-IV: Ivory, 6" standard flanged low-profile mounting base, ULC listed

B300-6-BP: Bulk pack of B300-6, package contains 10

B501-WHITE: White, 4" standard European flangeless mounting base. UL/ULC listed (CSFM: 7300-1653:0109)

B501-BL: Black, 4" standard European flangeless mounting base. UL/ULC listed (CSFM: 7300-1653:0109)

B501-IV: Ivory color, 4" standard European flangeless mounting base. UL/ULC listed (CSFM: 7300-1653:0109)

B501-WHITE-BP: Bulk pack of B501-WHITE contains 10

B224RB-WH: White, relay base (CSFM: 7300-1653:0216)

B224RB-IV: Ivory, relay base (CSFM: 7300-1653:0216)

B224RBA-WH: White, relay base, ULC listing

B224RBA-IV: Ivory, relay base, ULC listing

B224BI-WH: White, isolator detector base (CSFM: 7300-1653:0216)

B224BI-IV: Ivory isolator detector base (CSFM: 7300-1653:0216)

B224BIA-WH: White, isolator detector base, ULC listing

B224BIA-IV: Ivory isolator detector base, ULC listing

B200S-WH: White, Intelligent addressable sounder base capable of producing sound output in high or low volume with ANSI Temporal 3, ANSI Temporal 4, continuous tone, marching tone, and custom tone. Uses FlashScan protocol. (CSFM: 7300-1653:0213)

B200S-IV: Ivory, Intelligent addressable sounder base capable of producing sound output in high or low volume with ANSI Temporal 3, ANSI Temporal 4, continuous tone, marching tone, and custom tone. Uses FlashScan protocol. (CSFM: 7300-1653:0213)

B200SA-WH: Same as B200S-WH, ULC listing

B200SA-IV: Same as B200S-IV, ULC listing

B200SCOA-WH: White, Intelligent, programmable sounder base in English/French (required in Canada for ULC applications with CO Series detector applications)

B200SCOA-IV: Ivory Intelligent, programmable sounder base in English/French (required in Canada for ULC applications with CO Series detector applications, ULC listing)

B200S-LF-WH: White, Low Frequency Intelligent, programmable sounder base. Produces a fundamental frequency of 520 Hz +/- 10% with a square wave or its equivalent; designed to meet the NFPA 72 sleeping space requirement. (CSFM: 7300-1653:0238)

B200S-LF-IV: Ivory, Low Frequency Intelligent, programmable sounder base. Produces a fundamental frequency of 520 Hz +/- 10% with a square wave or its equivalent; designed to meet the NFPA 72 sleeping space requirement. (CSFM: 7300-1653:0238)

B200SR-WH: White, Intelligent sounder base capable of producing sound output with ANSI Temporal 3 or continuous tone. Intended for retrofit applications. (CSFM: 7300-1653:0213)

B200SR-IV: Ivory, Intelligent sounder base capable of producing sound output with ANSI Temporal 3 or continuous tone. Intended for retrofit applications. (CSFM: 7300-1653:0213)

B200SRA-WH: Same as B200SR-WH with, ULC listing

B200SRA-IV: Same as B200SR-IV in Ivory color, ULC listing

B200SR-LF-WH: White, Low Frequency Intelligent, programmable sounder base. Produces a fundamental frequency of 520 Hz +/- 10% with a square wave or its equivalent; designed to meet the NFPA 72 sleeping space requirement. Intended for retrofit applications. (CSFM: 7300-1653:0238)

B200SR-LF-IV: Ivory, Low Frequency Intelligent, programmable sounder base. Produces a fundamental frequency of 520 Hz +/- 10% with a square wave or its equivalent; designed to meet the NFPA 72 sleeping space requirement. Intended for retrofit applications. (CSFM: 7300-1653:0238)

MOUNTING KITS AND ACCESSORIES

TR300: White, replacement flange for B210LP(A) base

TR300-IV: Ivory, replacement flange for B210LP(A) base

RA100Z(A): Remote LED annunciator. 3-32 VDC. Mounts to a U.S. single-gang electrical box. For use with B501(A) and B300-6(A).

M02-04-00: Test magnet

M02-09-00: Test magnet with telescoping handle

CK300: Color Kit (includes cover and trim ring), white, 10-pack

CK300-IV: Color Kit (includes cover and trim ring), ivory, 10-pack

CK300-BL: Color Kit (includes cover and trim ring), black, 10-pack

Sensitivity:

- UL Applications: 0.5% to 4.0% per foot obscuration.
- ULC Applications: 0.5% to 3.5% per foot obscuration

Size: 2.0" (51mm) high; base determines diameter

- **B300-6 series:** 6.1" (15.6 cm) diameter
- **B501 series:** 4" (10.2 cm) diameter

For a complete list of detector bases see DN-60981

Shipping weight: 3.4 oz. (95 g)

Operating temperature range:

- FSP-951 Series: 32°F to 122°F (0°C to 50°C)
- FSP-951T Series: 32°F to 100°F (0°C to 38°C)
- FSP-951R Series installed in DNR/DNRA/DNRW, -4°F to 158°F (-20°C to 70°C)

UL/ULC Listed Velocity Range: 0-4000 ft/min. (1219.2 m/min.), suitable for installation in ducts

Relative humidity: 10% – 93% non-condensing

Thermal ratings: fixed-temperature set point 135°F (57°C), rate-of-rise detection 15°F (8.3°C) per minute, high temperature heat 190°F (88°C)

ELECTRICAL SPECIFICATIONS

Voltage range: 15 - 32 volts DC peak

Standby current (max. avg.): 200µA @ 24 VDC (one communication every 5 seconds with LED enabled)

Max current: 4.5 mA @ 24 VDC ("ON")

DETECTOR SPACING AND APPLICATIONS

NOTIFIER recommends spacing detectors in compliance with NFPA 72. In low airflow applications with smooth ceiling, space detectors 30 feet (9.1m). For specific information regarding detector spacing, placement, and special applications refer to NFPA 72. A *System Smoke Detector Application Guide*, document SPAG91, is available at www.systemsensor.com.

Listings and Approvals

Listings and approvals below apply to the FSP-951 Series detectors. In some cases, certain modules may not be listed by certain approval agencies, or listing may be in process. Consult factory for latest listing status.

- UL/ULC Listing: S1115
- FM Approved
- CSFM: 7272-0028:0503



This document is not intended to be used for installation purposes.
We try to keep our product information up-to-date and accurate.
We cannot cover all specific applications or anticipate all requirements.
All specifications are subject to change without notice.

FlashScan®, NOTIFIER®, and System Sensor® are registered trademarks of Honeywell International, Inc.

©2020 by Honeywell International Inc. All rights reserved. Unauthorized use of this document is strictly prohibited.

Country of Origin: Mexico

NOTIFIER

12 Clintonville Road
Northford, CT 06472
203.484.7161
www.notifier.com



Intelligent Bases Standard, Relay, Isolator, Sounder, and Low-Frequency Sounder Bases

General

To meet local code and application requirements, NOTIFIER® offers standard 4" and 6" bases, as well as, specialty base designs including relay, isolator, sounder and low frequency sounder options for the new 900 Series of addressable detectors as well as previous generations.

The standard 4" and 6" bases offer a plug-in detector base intended for use in intelligent systems, with screw terminals identified with a (+ and -). The 4" base offers a compact design while the 6" base provides compatibility with a wider range of junction boxes.

The specialty bases support application driven requirements. These bases employ a separate mounting plate that installs on various junction box sizes to eliminate unsightly surface-mount boxes. The mounting plate enables pre-wiring of all connections to speed and simplify installation.

Relay bases provide one form-C contact relay for control of auxiliary functions, such as door closure and elevator recall. The relay can operate in two different modes (short and long delay). The activation time for the short delay is 60-100 milliseconds, while the activation time for the long delay is 6-10 seconds. A shunt with pin headers, located on the base PC board, is used to set the delay timing.

Isolator bases allow the Signaling Line Circuit (SLC) loop to operate under fault conditions created from a short circuit preventing an entire communication loop from being disabled. The base isolates the section of the loop containing the short circuit from the remainder of the circuit and automatically restores when the fault is corrected.

Sounder and low frequency sounder bases are designed for new and existing dwelling unit applications. They offer maximum flexibility in installation, configuration, and operation to meet or exceed UL 268 and UL 464 requirements. The low frequency sounder bases are designed to meet the NFPA 72 sleeping space requirement to produce a fundamental frequency of 520 Hz +/- 10% with a square wave or its equivalent. Studies show that a lower frequency, centered around 520 Hz, is the most ideal to wake sleeping occupants, even those with mild to severe hearing loss.

The B200SR sounder and -LF sounder bases (B200SR-WH/B200SR-IV/B200SR-LF-WH/B200SR-LF-IV) are fully compatible with existing B501BH Series sounder base installations. The device enables users to select one of two B501-supported tones (ANSI Temporal 3 or Continuous) through a jumper.

The B200S sounder and -LF sounder bases (B200S-WH/B200S-IV/B200S-LF-WH/B200S-LF-IV) adopt the same address as the detector, but use a unique device type on the loop. The Fire Alarm Control Panel (FACP) can use that address to command an individual sounder — or a group of sounders — to activate. The command set from the FACP can be tailored to multiple event-driven tone outputs allowing selection of volume (75 or 85 dBA), tone (ANSI Temporal 3, ANSI Temporal 4, or March Time) and group. In addition, some FACP's will enable custom tone patterns. The B200S series sounder bases recognize the System Sensor synchronization protocol. This enables them to be used as a component of the general evacuation signal — along with other System Sensor AV appliances — when connected to a power supply or FACP output capable of generating the System Sensor synchronization pulses.



B300-6 Standard
6" Base (White)



B200S-WH
Sounder Base (White)



B501-WHITE Flangeless
4" Base (White)



B501-BL Flangeless
4" Base (Black)

Specifications

NOTE: Specifications applies to all model variants "A", "-BL", "-LF", "-IV", "-WH", "-WHITE". See Product Line Information for detailed model description.

Diameter

- B501-WHITE: 4" (10.16 cm) diameter.
- B300-6: 6.1" (15.49 cm) diameter.
- B224BI, B224RB: 6.2" (15.748 cm) diameter.
- B200S, B200SR, B200SCOA: 6.875" (17.46 cm) diameter.

Wire gauge:

- B224BI, B224RB: 14 to 24 AWG.
- B300-6, B210LP, B501, B200S, B200SR, B200SCOA: 12 to 24 AWG

Temperature range:

- B224BI, B224RB, B200S, B200SR, B200SCOA: 32°F to 120°F (0°C to 49°C).
- B300-6, B210LP, B501: -4°F to 150°F (-20°C to 66°C).

Humidity range: 10% to 93% RH, non-condensing.

System temperature and humidity ranges: This system meets NFPA requirements for operation at 0°C to 49°C (32°F to 120°F); and at a relative humidity (non-condensing) of 85% at 30°C (86°F) per NFPA, and 93% ± 2% at 32°C ± 2°C (89.6°F ± 1.1°F) per ULC. However, the useful life of the system's standby batteries and the electronic components may be adversely affected by extreme temperature ranges and humidity. Therefore, it is recommended that this system and all peripherals be installed in an environment with a nominal room temperature of 15°C to 27°C (60°F to 80°F).

Electrical Ratings

FOR B300-6 SERIES BASES:

Operating voltage: 15 to 32 VDC

Standby current: 170 μ A maximum

FOR B501 SERIES BASES:

Operating voltage: 15 to 32 VDC

Standby current: 150 μ A maximum

FOR B200 SERIES BASES:

External supply voltage: 16 to 33 VDC (FWR)

Standby current:

500 μ A maximum.

Alarm current:

- B200S(A)(-IV)(-WH)
 - 35 mA maximum at high-volume setting
 - 15 mA maximum at low-volume setting
- B200S-LF(-IV)(-WH) High-volume setting:
 - 70 mA maximum @ 33.0 VDC
 - 90 mA maximum @ 24.0 VDC
 - 140 mA maximum @ 16.0 VDC
- B200S-LF(-IV)(-WH) Low-volume setting:
 - 15 mA maximum @ 33.0 VDC
 - 20 mA maximum @ 24.0 VDC
 - 25 mA maximum @ 16.0 VDC
- B200SR(A)(-IV)(-WH)
 - 35 mA maximum
- B200SR-LF(-IV)(-WH)
 - 65 mA maximum @ 33.0 VDC
 - 90 mA maximum @ 24.0 VDC
 - 125 mA maximum @ 16.0 VDC
- B200SCOA(-IV)(-WH)
 - 40mA Max (DC)
 - 70mA Max (FWR)

SLC operating voltage: 15 to 32 VDC

SLC standby current: See applicable sensor specification.

Sound output:

- B200S(A)(-LF)(-IV)(-WH), high-volume*: Greater than 85 dBA minimum.
- B200S(A)(-LF)(-IV)(-WH), low-volume*: Greater than 75 dBA minimum.
- B200SR(A)(-LF)(-IV)(-WH)*: Greater than 85 dBA minimum.
- B200SCOA(-IV)(-WH), high-volume**: Greater than 87 dBA minimum.
- B200SCOA(-IV)(-WH), low-volume***: Greater than 85 dBA minimum

*Measured in a UL reverberant room at 10 feet, 24 Volts (continuous tone)

**Measured in a ULC anechoic room at 10 feet, 24 Volts continuous tone)

FOR B224BI, B224RB (A) (-IV) (-WH):

Operating voltage: 15 to 32 VDC (powered by SLC)

Standby ratings: <450 μ A maximum @ 24 VDC

Set time (B224RB(A)(-IV)(-WH) only): short delay 60-100 milliseconds; long delay 6-10 seconds

Reset time (B224RB(A)(-IV)(-WH) only): 20 milliseconds maximum

Relay characteristics (B224RB(A)(-IV)(-WH) only): two-coil latching relay; one Form-C contact; ratings (UL/CSA): 0.9 A @ 125 VAC, 0.9 A @ 110 VDC, and 3.0 A @ 30 VDC

Product Line Information

INTELLIGENT BASES

NOTE: "A" suffix indicates ULC Listed model.

NOTE: "-IV" suffix indicates Ivory color model.

NOTE: "-BL" suffix indicates Black color model.

NOTE: "-WH" and "-WHITE" suffix indicates White color model.

B210LP: Flanged mounted base.

B210LPA: Same as B210LP; ULC listed.

B210LPBP: Bulk pack of B210LP, contains 10.

B300-6: White, 6" base, standard flanged low-profile mounting base.

B300A-6: Same as B300-6, ULC listed.

B300-6-BP: Bulk pack of B300-6, package contains 10;.

B300-6-IV: Ivory, 6" base, standard flanged low-profile mounting base.

B300A-6-IV: Ivory, 6" standard flanged low-profile mounting base, ULC listed.

B501-WHITE: White, 4" standard European flangeless mounting base. UL/ULC listed.

B501-WHITE-BP: Bulk pack of B501-WHITE contains 10.

B501-BL: Black, 4" standard European flangeless mounting base. UL/ULC listed.

B501-IV: Ivory color, 4" standard European flangeless mounting base. UL/ULC listed.

B224RB-WH: White, relay base.

B224RB-IV: Ivory, relay base.

B224RBA-WH: White, relay base, ULC listed.

B224RBA-IV: Ivory, relay base, ULC listed.

B224BI-WH: White, isolator detector base.

B224BI-IV: Ivory isolator detector base.

B224BIA-WH: White, isolator detector base, ULC listed.

B224BIA-IV: Ivory isolator detector base, ULC listed.

B200S-WH: White, Intelligent addressable sounder base capable of producing sound output in high or low volume with ANSI Temporal 3, ANSI Temporal 4, continuous tone, marching tone, and custom tone. Uses FlashScan® protocol.

B200S-IV: Ivory, Intelligent addressable sounder base capable of producing sound output in high or low volume with ANSI Temporal 3, ANSI Temporal 4, continuous tone, marching tone, and custom tone. Uses FlashScan® protocol.

B200SA-WH: Same as B200S-WH, ULC listed.

B200SA-IV: Same as B200S-IV, ULC listed.

B200SCOA-WH: White, Intelligent, programmable sounder base in English/French (required in Canada for ULC applications with SO Series detector applications).

B200SCOA-IV: Ivory Intelligent, programmable sounder base in English/French (required in Canada for ULC applications with SO Series detector applications, ULC listing).

B200S-LF-WH: White, Low Frequency Intelligent, programmable sounder base. Produces a fundamental frequency of 520 Hz +/- 10% with a square wave or its equivalent; designed to meet the NFPA 72 sleeping space requirement.

B200S-LF-IV: Ivory, Low Frequency Intelligent, programmable sounder base. Produces a fundamental frequency of 520 Hz +/- 10% with a square wave or its equivalent; designed to meet the NFPA 72 sleeping space requirement.

B200SR-WH: White, Intelligent sounder base capable of producing sound output with ANSI Temporal 3 or continuous tone. Intended for retrofit applications.

B200SR-IV: Ivory, Intelligent sounder base capable of producing sound output with ANSI Temporal 3 or continuous tone. Intended for retrofit applications.

B200SRA-WH: Same as B200SR-WH, ULC listed.

B200SRA-IV: Same as B200SR-IV in Ivory color, ULC listed.

B200SR-LF-WH: White, Low Frequency Intelligent, programmable sounder base. Produces a fundamental frequency of 520 Hz +/- 10% with a square wave or its equivalent; designed to meet the NFPA 72 sleeping space requirement. Intended for retrofit applications.

B200SR-LF-IV: Ivory, Low Frequency Intelligent, programmable sounder base. Produces a fundamental frequency of 520 Hz +/- 10% with a square wave or its equivalent; designed to meet the NFPA 72 sleeping space requirement. Intended for retrofit applications.

MOUNTING KITS AND ACCESSORIES

TR300: White, replacement flange for B210LP(A), B300(A)-6 bases.

TR300-IV: Ivory, replacement flange for B210LP(A), B300(A)-6-IV bases.

RA100Z(A): Remote LED annunciator. 3 – 32 VDC. Mounts to a U.S. single-gang electrical box. For use with B501(A) and B300(A)-6.

M02-04-00: Test magnet.

M02-09-00: Test magnet with telescoping handle.

CK300: White, detector color kit. Pack of 10.

CK300-IR: White, detector color kit for use with FPTI and FCO Series detectors. Pack of 10.

CK300-IV: Ivory, detector color kit. Pack of 10.

CK300-IR-IV: Ivory, detector color kit for use with FPTI and FCO Series detectors. Pack of 10.

CK300-BL: Black, detector color kit. Pack of 10.

CK300-IR-BL: Black, detector color kit for use with FPTI and FCO Series detectors. Pack of 10.

Agency Listings and Approvals

The listings and approvals below apply to intelligent bases as noted. In some cases, certain modules or applications may not be listed by certain approval agencies, or listing may be in process. Consult factory for latest listing status.

- **UL/ULC Listed:** S1115
- **FM Approved**
- **CSFM:** 7300-1653:0109, 7300-1653:0126, 7300-1653:0213, 7300-1653:0236

Junction Box Selection Guide

Base Models	Single Gang	Double Gang	3.5" Oct.	4.0" Oct.	4.0" Sq.	4.0" Sq. with 3.0" mud ring	50 mm	60 mm	70 mm	75 mm
B200S, B200SR, B200SCOA	Yes	Yes	Yes	Yes	Yes	Yes	No	No	No	No
B501	No	No	Yes	No	No	Yes	Yes	Yes	Yes	No
B210LP, B300-6	Yes	No	Yes	Yes	Yes	Yes	No	No	No	No
B224BI, B224RB	Yes	Yes	Yes	Yes	Yes	Yes	No	No	No	No

NOTE: Box depth contingent on base and wire size. Refer to National Electric Code or applicable local codes for appropriate recommendations.
NOTE: Applies to all model variants "A", "-BL", "-LF", "-IV", "-WH", and "-WHITE". See Product Line Information for detailed model description.



This document is not intended to be used for installation purposes. We try to keep our product information up-to-date and accurate. We cannot cover all specific applications or anticipate all requirements. All specifications are subject to change without notice.

NOTIFIER
 12 Clintonville Road
 Northford, CT 06472
 203.484.7161
 www.notifier.com

FlashScan®, NOTIFIER® and System Sensor® are registered trademarks of Honeywell International Inc. ©2018 by Honeywell International Inc. All rights reserved. Unauthorized use of this document is strictly prohibited. Country of Origin: Mexico





Indoor Selectable-Output Speaker Strobes and Dual Voltage Evacuation Speakers for Ceiling Applications

System Sensor L-Series selectable-output speaker strobes and dual-voltage evacuation speakers can reduce ground faults and enable faster installation with lower current draw and modern aesthetics.

Features

- Plug-in design and protective cover reduce ground faults
- Universal mounting plate with an onboard shorting spring tests wiring continuity before installation
- No extension ring required
- Field selectable candela settings on ceiling units: 15, 30, 75, 95, 115, 150, and 177
- Automatic selection of 12- or 24-volt operation at 15 and 30 candela
- Rotary switch simplifies field selection of speaker voltage (25 and 70.7 Vrms) and power settings (¼, ½, 1 and 2 watts)
- Speakers offer high fidelity and high volume sound output
- 520 Hz capable with compatible FACP
- Compatible with System Sensor synchronization protocol
- Electrical compatibility with existing SpectrAlert and SpectrAlert Advance products
- Tamper-resistant construction
- Updated modern aesthetics

Agency Listings



7320-1653:0505



System Sensor L-Series of speakers and speaker strobes reduce costly ground faults using a plug-in design and universal mounting plate that allow the installer to pre-wire mounting plates, dress the wires, and confirm wiring continuity before plugging in the speakers. In addition, a protective plastic cover prevents nicked wires by covering exposed speaker components.

These devices also enable faster installations by providing instant feedback to ensure that wiring is properly connected, rotary switches to select voltage and power settings, and 7 field-selectable candela settings for both wall and ceiling speaker strobes.

The low total harmonic distortion of the SP speaker offers high fidelity sound output while still offering high volume sound output for use in high ambient noise applications.

L-Series makes installation easy

- Attach a universal mounting plate to a 4 × 4 × 21/8 inch back box. Flush-mount applications do not require an extension ring.
- Connect the notification appliance circuit or speaker wiring to the terminals on the mounting plate.
- Attach the speaker or speaker strobe to the mounting plate by inserting the product tabs into the mounting plate grooves. Hinge the device into position to lock the product pins into the mounting plate terminals. The device will temporarily hold in place with a catch until it is secured with a captured mounting screw.

L-Series Speaker and Speaker Strobe Specifications

Architectural/Engineering Specifications

General

L-Series speaker and speaker strobes shall mount to a 4 × 4 × 2 1/8-inch back box. A universal mounting plate shall be used for mounting ceiling and wall products. The notification appliance circuit and amplifier wiring shall terminate at the universal mounting plate. Also, L-Series speaker strobes, when used with the Sync•Circuit™ Module accessory, shall be powered from a non-coded notification appliance circuit output and shall operate on a nominal 12 or 24 volts. When used with the Sync•Circuit Module, 12-volt rated notification appliance circuit outputs shall operate between 8.5 and 17.5 volts; 24-volt rated notification appliance circuit outputs shall operate between 16.5 and 33 volts. Indoor L-Series products shall operate between 32°F and 120°F from a regulated DC, or full-wave rectified, unfiltered power supply. Speaker strobes shall have field-selectable candela settings including 15, 30, 75, 95, 115, 150, 177.

Speaker

The speaker shall be a System Sensor L-Series model _____ dual-voltage transformer speaker capable of operating at 25.0 or 70.7 nominal Vrms. It should be listed to UL 1480 and shall be approved for fire protective service. The speaker shall have a frequency range of 400 to 4,000 Hz and shall have an operating temperature between 32°F and 120°F. The speaker shall have power taps and voltage that are selected by rotary switches.

Speaker Strobe combination

The speaker strobe shall be a System Sensor L-Series model _____ listed to UL1480 and UL 1971 and be approved for fire protective signaling systems. The speaker shall be capable of operating at 25.0 or 70.7 nominal Vrms selected via rotary switch, and shall have a frequency range of 400 to 4,000 Hz. The speaker shall have power taps that are selected by rotary switch. The strobe shall comply with the NFPA 72 requirements for visible signaling appliances, flashing at 1 Hz over the strobe's entire operating voltage range. The strobe light shall consist of a xenon flash tube and associated lens/reflector system.

Synchronization Module

The module shall be a System Sensor Sync•Circuit model MDL3 listed to UL 464 and shall be approved for fire protective service. The module shall synchronize SpectrAlert strobes at 1 Hz. The module shall mount to a 4 1/16 × 4 1/16 × 2 1/8-inch back box. The module shall also control two Style Y (class B) circuits or one Style Z (class A) circuit. The module shall synchronize multiple zones. Daisy chaining two or more synchronization modules together will synchronize all the zones they control. The module shall not operate on a coded power supply.

Physical Specifications

Operating Temperature	32°F to 120°F (0°C to 49°C)	
Humidity Range	10 to 93% non-condensing	
Dimensions, Ceiling-Mount	Diameter	Depth
SPC Speaker	6.8 in, 173 mm	1.0 in, 25 mm
With Surface Mount Back Box	6.9 in, 176 mm	3.5 in, 89 mm
SPSC Speaker Strobe	6.8 in, 173 mm	2.8 in, 73 mm
With Surface Mount Back Box	6.9 in, 176 mm	5.37 in, 136 mm

Electrical/Operating Specifications

Nominal Voltage (speakers)	25 Volts or 70.7 Volts (nominal)
Maximum Supervisory Voltage (speakers)	50 VDC
Strobe Flash Rate	1 flash per second
Nominal Voltage (strobes)	Regulated 12 VDC or regulated 24 VDC/FWR ^{1,2}
Operating Voltage Range (includes fire alarm panels with built in sync)	8 to 17.5 V (12 V nominal) or 16 to 33 V (24 V nominal)
Operating Voltage with MDL3 Sync Module	8.5 to 17.5 V (12 V nominal) or 16.5 to 33 V (24 V nominal)
Frequency Range	400 to 4,000 Hz ³
Power	¼, ½, 1, 2 watts

1. Full Wave Rectified (FWR) voltage is a non-regulated, time-varying power source that is used on some power supply and panel outputs.

2. Strobe products will operate at 12 V nominal only for 15 and 30 cd.

3. 520Hz capable with compatible FACP.

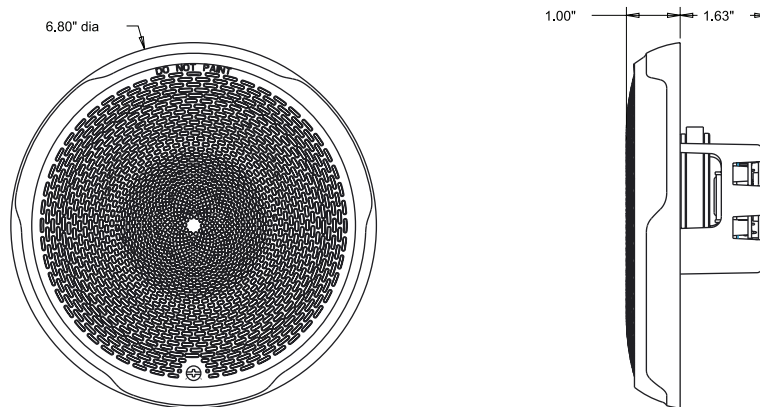
UL Current Draw Data

UL Max. Strobe Current Draw (mA RMS)			
	8 to 17.5 Volts	16 to 33 Volts	
Candela	DC	DC	FWR
15	87	41	60
30	153	63	86
75	NA	111	142
95	NA	134	164
115	NA	158	191
150	NA	189	228
177	NA	226	264

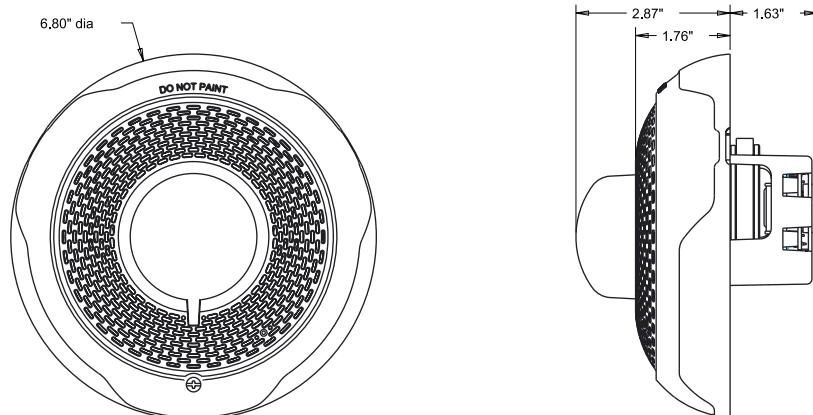
Ceiling-Mount Speaker Sound Output		
Setting	UL Reverberant (dBA @ 10 ft)	UL Anechoic (dBA @ 10 ft)
1/4 W	79	79
1/2 W	82	82
1 W	85	85
2 W	88	88

Ceiling-Mount Speaker Strobe Sound Output		
Setting	UL Reverberant (dBA @ 10 ft)	UL Anechoic (dBA @ 10 ft)
1/4 W	77	77
1/2 W	80	80
1 W	83	83
2 W	86	86

L-Series Dimensions

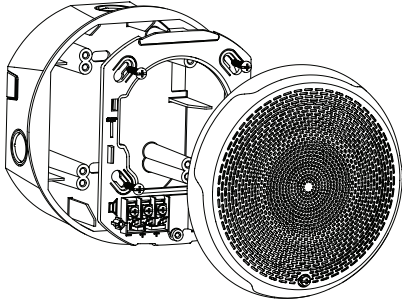


Ceiling Speaker

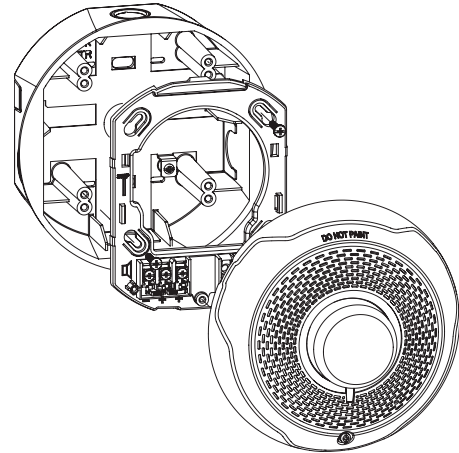


Ceiling Speaker Strobe

Surface Mounting



Ceiling Speaker with Surface Mount Back Box



Ceiling Speaker Strobe with Surface Mount Back Box

L-Series Ordering Information

Ceiling Mount		
White	Red	Description
SPCWL	SPCRL	Speaker only
SPSCWL	SPSCRL	Speaker Strobe
SPSCWL-P	—	Plain, Speaker Strobe
SPSCWL-SP	—	Fuego, Speaker Strobe
SPSCWL-CLR-ALERT	—	Alert, Speaker Strobe, Clear Lens
Accessories		
White	Red	Description
SBBCWL	SBBCRL	Universal Ceiling Surface Mount Back Box
TRC-2W	TRC-2	Universal Ceiling Trim Ring



3825 Ohio Avenue • St. Charles, IL 60174
 Phone: 800-SENSOR2 • Fax: 630-377-6495
www.systemsensor.com

©2017 System Sensor.
 Product specifications subject to change without notice. Visit systemsensor.com
 for current product information, including the latest version of this data sheet.
 AVDS86601 • 03/17



Indoor Selectable-Output Strobes and Horn Strobes for Ceiling Applications

System Sensor L-Series audible visible notification products are rich with features guaranteed to cut installation times and maximize profits with lower current draw and modern aesthetics.



Features

- Plug-in design with minimal intrusion into the back box
- Tamper-resistant construction
- Automatic selection of 12- or 24-volt operation at 15 and 30 candela
- Field-selectable candela settings on ceiling units: 15, 30, 75, 95, 115, 150, and 177
- Horn rated at 88+ dBA at 16 volts
- Rotary switch for horn tone and two volume selections
- Universal mounting plate for ceiling units
- Mounting plate shorting spring feature checks wiring continuity before device installation
- Electrically Compatible with legacy SpectrAlert and SpectrAlert Advance devices
- Compatible with MDL3 sync module
- Listed for ceiling mounting only

The System Sensor L-Series offers the most versatile and easy-to-use line of horns, strobes, and horn strobes in the industry with lower current draws and modern aesthetics. With white and red plastic housings, wall and ceiling mounting options, System Sensor L-Series can meet virtually any application requirement.

The entire L-Series product line of ceiling-mount strobes and horn strobes include a variety of features that increase their application versatility while simplifying installation. All devices feature a plug-in design with minimal intrusion into the back box, making installations fast and foolproof while virtually eliminating costly and time-consuming ground faults.

To further simplify installation, the L-Series utilizes a universal mounting plate so installers can mount them to a wide array of back boxes. With an onboard shorting spring, installers can test wiring continuity before the device is installed.

Installers can also easily adapt devices to a suit a wide range of application requirements using field-selectable candela settings, automatic selection of 12- or 24-volt operation, and a rotary switch for horn tones with two volume selections.

Agency Listings



L-Series Specifications

Architect/Engineer Specifications

General

L-Series ceiling-mount strobes and horn strobes shall mount to a standard 4 × 4 × 1½-inch back box, 4-inch octagon back box, or double-gang back box. Two-wire products shall also mount to a single-gang 2 × 4 × 17/8-inch back box. A universal mounting plate shall be used for mounting ceiling and wall products. The notification appliance circuit wiring shall terminate at the universal mounting plate. Also, L-Series products, when used with the Sync•Circuit™ Module accessory, shall be powered from a non-coded notification appliance circuit output and shall operate on a nominal 12 or 24 volts. When used with the Sync•Circuit Module, 12-volt-rated notification appliance circuit outputs shall operate between 8.5 and 17.5 volts; 24-volt-rated notification appliance circuit outputs shall operate between 16.5 and 33 volts. Indoor L-Series products shall operate between 32 and 120 degrees Fahrenheit from a regulated DC or full-wave rectified unfiltered power supply. Ceiling strobes and horn strobes shall have field-selectable candela settings including 15, 30, 75, 95, 115, 150, and 177.

Strobe

The strobe shall be a System Sensor L-Series Model _____ listed to UL 1971 and shall be approved for fire protective service. The strobe shall be wired as a primary-signaling notification appliance and comply with the Americans with Disabilities Act requirements for visible signaling appliances, flashing at 1 Hz over the strobe's entire operating voltage range. The strobe light shall consist of a xenon flash tube and associated lens/reflector system.

Horn Strobe Combination

The horn strobe shall be a System Sensor L-Series Model _____ listed to UL 1971 and UL 464 and shall be approved for fire protective service. The horn strobe shall be wired as a primary-signaling notification appliance and comply with the Americans with Disabilities Act requirements for visible signaling appliances, flashing at 1 Hz over the strobe's entire operating voltage range. The strobe light shall consist of a xenon flash tube and associated lens/reflector system. The horn shall have two audibility options and an option to switch between a temporal three pattern and a non-temporal (continuous) pattern. These options are set by a multiple position switch. The horn on horn strobe models shall operate on a coded or non-coded power supply.

Synchronization Module

The module shall be a System Sensor Sync•Circuit model MDL3 listed to UL 464 and shall be approved for fire protective service. The module shall synchronize L-Series strobes at 1 Hz and horns at temporal three. Also, while operating the strobes, the module shall silence the horns on horn strobe models over a single pair of wires. The module shall mount to a 4 11/16 × 4 11/16 × 2 1/8-inch back box. The module shall also control two Style Y (class B) circuits or one Style Z (class A) circuit. The module shall synchronize multiple zones. Daisy chaining two or more synchronization modules together will synchronize all the zones they control. The module shall not operate on a coded power supply.

Physical/Electrical Specifications

Standard Operating Temperature	32°F to 120°F (0°C to 49°C)
Humidity Range	10 to 93% non-condensing
Strobe Flash Rate	1 flash per second
Nominal Voltage	Regulated 12 VDC or regulated 24 DC/FWR ¹
Operating Voltage Range²	8 to 17.5 V (12 V nominal) or 16 to 33 V (24 V nominal)
Operating Voltage Range (MDL3)	8.5 to 17.5V (12 V nominal) or 16.5 to 33 V (24V nominal)
Input Terminal Wire Gauge	12 to 18 AWG
Ceiling-Mount Dimensions (including lens)	6.8" diameter × 2.5" high (173 mm diameter × 64 mm high)
Ceiling-Mount Surface Mount Back Box Skirt Dimensions (SBBCRL, SBBCWL)	6.9" diameter × 3.4" high (175 mm diameter × 86 mm high)

Notes:

1. Full Wave Rectified (FWR) voltage is a non-regulated, time-varying power source that is used on some power supply and panel outputs.
2. P, S, PC, and SC products will operate at 12 V nominal only for 15 and 30 cd.

UL Current Draw Data

UL Max. Strobe Current Draw (mA RMS)				
Candela Range	Candela	8–17.5 Volts		
		DC	16–33 Volts DC	FWR
Candela Range	15	87	41	60
	30	153	63	86
	75	N/A	111	142
	95	N/A	134	164
	115	N/A	158	191
	150	N/A	189	228
	177	N/A	226	264

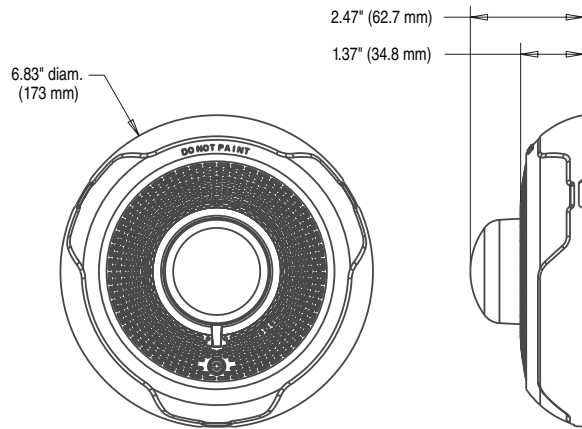
UL Max. Horn Current Draw (mA RMS)				
Sound Pattern	dB	8–17.5 Volts		
		DC	16–33 Volts DC	FWR
Temporal	High	39	44	54
Temporal	Low	28	32	54
Non-Temporal	High	43	47	54
Non-Temporal	Low	29	32	54
3.1 KHz Temporal	High	39	41	54
3.1 KHz Temporal	Low	29	32	54
3.1 KHz Non-Temporal	High	42	43	54
3.1 KHz Non-Temporal	Low	28	29	54
Coded	High	43	47	54
3.1 KHz Coded	High	42	43	54

UL Max. Current Draw (mA RMS), Ceiling Horn Strobe, Candela Range (15–177 cd)										
DC Input	8–17.5 Volts			16–33 Volts						
	15cd	30cd	75cd	15cd	30cd	75cd	95cd	115cd	150cd	177cd
Temporal High	103	167	71	90	143	165	187	217	254	254
Temporal Low	96	165	54	71	137	161	185	211	249	249
Non-Temporal High	106	173	71	90	141	165	187	230	273	273
Non-Temporal Low	95	166	54	71	124	161	170	216	258	258
3.1K Temporal High	111	164	69	94	147	163	184	229	257	257
3.1K Temporal Low	103	163	54	88	143	155	185	212	252	252
3.1K Non-Temporal High	111	172	69	94	144	164	202	229	271	271
3.1K Non-Temporal Low	103	169	54	88	131	155	187	217	259	259
FWR Input	16–33 Volts									
	15cd	30cd	75cd	95cd	115cd	150cd	177cd			
Temporal High	107	135	179	198	223	254	286			
Temporal Low	78	101	151	172	199	229	262			
Non-Temporal High	107	135	179	198	223	254	286			
Non-Temporal Low	78	101	151	172	199	229	262			
3.1K Temporal High	108	135	179	200	225	255	289			
3.1K Temporal Low	79	101	150	171	196	229	260			
3.1K Non-Temporal High	108	135	179	200	225	255	289			
3.1K Non-Temporal Low	79	101	150	171	196	229	260			

Horn Strobe Tones and Sound Output Data

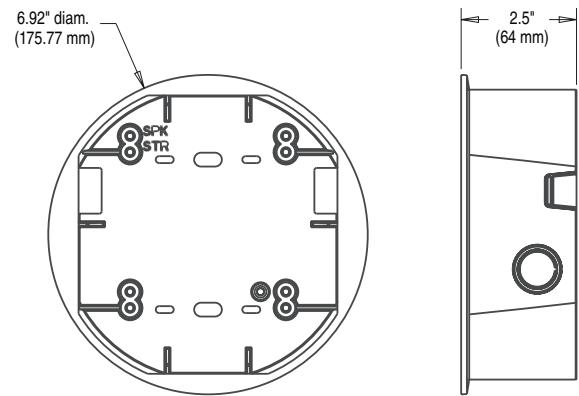
Horn Strobe Output (dBA)					
Switch Position	Sound Pattern	dB	8–17.5 Volts	16–33 Volts	FWR
			DC	DC	
1	Temporal	High	84	89	89
2	Temporal	Low	75	83	83
3	Non-Temporal	High	85	90	90
4	Non-Temporal	Low	76	84	84
5	3.1 KHz Temporal	High	83	88	88
6	3.1 KHz Temporal	Low	76	82	82
7	3.1 KHz Non-Temporal	High	84	89	89
8	3.1 KHz Non-Temporal	Low	77	83	83

L-Series Dimensions



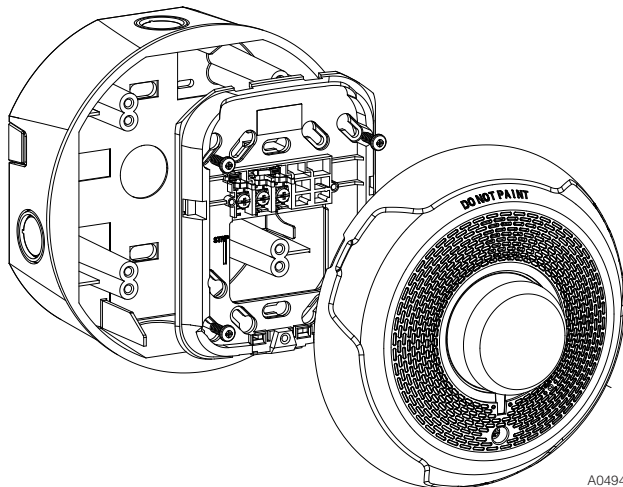
Ceiling-Mount Horn Strobes

A0545-00



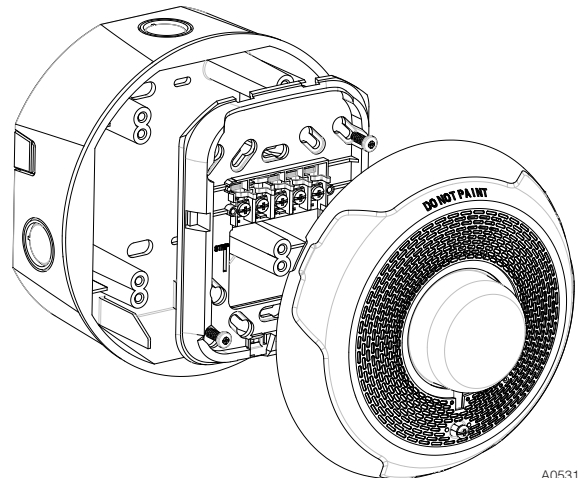
Ceiling Surface Mount Back Box

A0546-00



**2-Wire Ceiling Mount Horn Strobes
with Ceiling Surface Mount Back Box**

A0494-01



**4-Wire Ceiling Mount Horn Strobes
with Ceiling Surface Mount Back Box**

A0531-01

L-Series Ordering Information

Model	Description
Ceiling Horn Strobes	
PC2RL	2-Wire, Horn Strobe, Red
PC2WL	2-Wire, Horn Strobe, White
PC4RL	4-Wire, Horn Strobe, Red
PC4WL	4-Wire, Horn Strobe, White

Model	Description
Ceiling Strobes	
SCRL	Strobe, Red
SCWL	Strobe, White
SCWL-CLR-ALERT	Strobe, White, ALERT
Accessories	
TRC-2	Universal Ceiling Trim Ring Red
TRC-2W	Universal Ceiling Trim Ring White
SBBCRL	Ceiling Surface Mount Back Box, Red
SBBCWL	Ceiling Surface Mount Back Box, White

For a ceiling-listed horn-only device, see AVDS865 "Indoor Selectable-Output Horns, Strobes, and Horn Strobes for Wall Applications".



3825 Ohio Avenue • St. Charles, IL 60174
Phone: 800-SENSOR2 • Fax: 630-377-6495

©2017 System Sensor.
Product specifications subject to change without notice. Visit systemsensor.com
for current product information, including the latest version of this data sheet.
AVDS868-02 • 12/01/2017



Duct Smoke Detector Accessories

Expand the versatility of the InnovairFlex™ line of duct smoke detectors with System Sensor notification and test accessories.



Available Accessories

APA151	Piezo Annunciator
MHR	Mini-Horn, Red
MHW	Mini-Horn, White
RA100Z/RA100ZA	Remote Annunciator
RTS151	Remote Test Station
RTS151KEY	Remote Test Station with Key
RTS2	Multi-Signaling Accessory
AOS	Add-On Strobe
RTS2-AOS	Multi-Signaling Accessory

Duct smoke detector accessories add functionality to the duct smoke detection system by allowing quick, convenient inspections at eye level and effective audible and visible notification options. All System Sensor duct smoke detectors and accessories are UL listed.

The **APA151** piezo annunciator, which replaces the APA451 with a new, improved look, provides an audible alarm signal, a red LED to indicate alarm status, and a green LED to indicate power status. It is intended for use with System Sensor 4-wire conventional duct smoke detector applications without a system control panel, to comply with NFPA 90A.

The **MHR and MHW** SpectrAlert® Advance mini-horns feature temporal or continuous tones at high and low volume settings. Their small footprint allows mounting to single-gang back boxes for applications where a small device is desired.

The **RA100Z and RA100ZA** remote annunciators are designed for both conventional and intelligent applications. Their red LED provides visual indication of an alarm condition.

The **RTS151 and RTS151KEY** remote test stations are automatic fire detector accessories designed to test duct smoke detectors from a convenient location. For 4-wire detectors, the RTS151KEY test station features a multi-colored LED that alternates between steady green and red. For 2-wire detectors, the LED illuminates red for alarm.

The **RTS2 and RTS2-AOS** multi-signaling accessories are designed to work with InnovairFlex 4-wire conventional duct smoke detectors. These accessories include a key switch that can be used to select one of two connected sensors to be tested, reset, or both by a push button switch. They also enable sensitivity measurements using the SENS-RDR sensitivity reader (sold separately). The AOS (Add-On Strobe) is an optional accessory included with the RTS2-AOS model.

Agency Listings



Specifications, Duct Smoke Detector Accessories

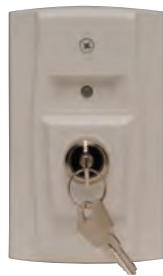
APA151 Piezo Annunciator	
Voltage	Regulated 24 VDC
Operating Voltage	16 to 33 VDC
Maximum Alarm Current	30 mA
Temperature Range	0°C to 49°C (32°F to 120°F)
Relative Humidity	10 to 93% non-condensing
Wire Gauge	12 to 18 AWG
Dimensions	4.6" H x 2.9" W x .45" D
MHR/MHW SpectrAlert® Advance Mini-Horns	
Voltage	Regulated 12 DC or FWR (Full Wave Rectified) or Regulated 24 VDC or FWR
Sounder Current Draw	22 mA RMS max. at 8 to 17.5 Volts DC 29 mA RMS max. at 16 to 33 Volts DC
Temperature Range	0°C to 49°C (32°F to 120°F)
Humidity Range	10 to 93% non-condensing
Nominal Sounder Frequency	3 kHz
Wire Gauge	12 to 18 AWG
Dimensions	4.6" H x 2.9" W x 0.45" D
RA100Z/RA100ZA Remote Annunciator	
Voltage Range	Conventional System: 3.1 to 32 VDC Intelligent System: 18 to 32 VDC
Maximum Alarm Current	10 mA
Dimensions	4.6" H x 2.8" W x 1.3" D

RTS151 Remote Test Station	
Power Requirements	Alarm LED: 2.8 to 32 VDC, 12 mA max. Total Current: 105 mA max.
Test Switch	10 VA @ 32 VDC
Reset Switch	10 VA @ 32 VDC
Alarm Response Time	40 seconds max.
Temperature Range	-10°C to 60°C (14°F to 140°F)
Relative Humidity	95% non-condensing
Wire Gauge	14 to 18 AWG
Dimensions	4.8" H x 2.90" W x 1.4" D
RTS151KEY Remote Test Station with Key	
Power Requirements	Power LED (Green): 14 to 35 VDC, 12 mA max. Alarm LED (Red): 2.8 to 32 VDC, 12 mA max. Total Current: 105 mA max.
Alarm Response Time	40 seconds max.
Temperature Range	-10°C to 60°C (14°F to 140°F)
Relative Humidity	95% non-condensing
Wire Gauge	14 to 18 AWG
Dimensions	4.6" H x 2.75" W x 1.8" D
RTS2 and RTS2-AOS Multi-signaling Accessory	
Voltage	20 to 29 VDC
Power Requirements	Standby: 3.0 mA max. Trouble: 16.0 mA max. Alarm without strobe: 30 mA max. Alarm with strobe: 55 mA max.
Sounder	85 dBA at ten feet
Temperature Range	-10°C to 60°C (14°F to 140°F)
Relative Humidity	95% non-condensing
Wire Gauge	14 to 22 AWG
Dimensions	4.8" W x 5.3" H x 1.6" D

For the very latest product specifications and listing information, please visit the System Sensor Web site at www.systemsensor.com.



RTS151 UL S4011



RTS151KEY UL S2522



APA151 UL S4011



RTS2-AOS UL S2522



RA100Z UL S2522



MHW UL S4011



MHR UL S4011



AOS



3825 Ohio Avenue • St. Charles, IL 60174
Phone: 800-SENSOR2 • Fax: 630-377-6495
www.systemsensor.com

©2013 System Sensor.
Product specifications subject to change without notice. Visit www.systemsensor.com
for current product information, including the latest version of this data sheet.
HVDS20202 • 8/13