

PRFUP20221830

The applicant is responsible to notify the city of a job start 48 hours in advance using the CityView portal.

The permit and traffic control plans shall be posted at the job site and available to inspectors at all times.

Applicant must provide 48hr. notification to residents within 300 feet of the work area either via door hanger, message board or signs posted visibly along the right-of-way.

FREDERICKSON GENERATION

PLANT 1

PUGET SOUND ENERGY
2208 SHAW RD
PUYALLUP, WA 98372
WO# 141006889

Night Work Requirement:
Applicant must provide 48hr. notification to residents and businesses within 300 feet of the work area either via door hanger, message board or signs posted visibly along the right-of-way

Night work required. Closure allowed Sunday night - Thursday night 9p.m. - 5a.m. only.
Prior to scheduling work coordinate with the city by calling the Engineering Inspection Message Line: Phone: 253-435-3650 a minimum of 48 hours advance notice is required for coordination/scheduling purposes

City of Puyallup Development & Permitting Services ISSUED PERMIT	
Building	Planning
Engineering	Public Works
Fire	Traffic



FREDRICKSON GENERATION PLANT 1

Scale: NTS

Date: 9/9/22

Filename: fredericksongeneration1.dwg

Approved by-date: J. Smith - 9/9/22

Checked by: J. Smith

Designed by: V. Smith

Confidential and Proprietary

Revised Date:

Puget Sound Energy

Project Location: PUYALLUP

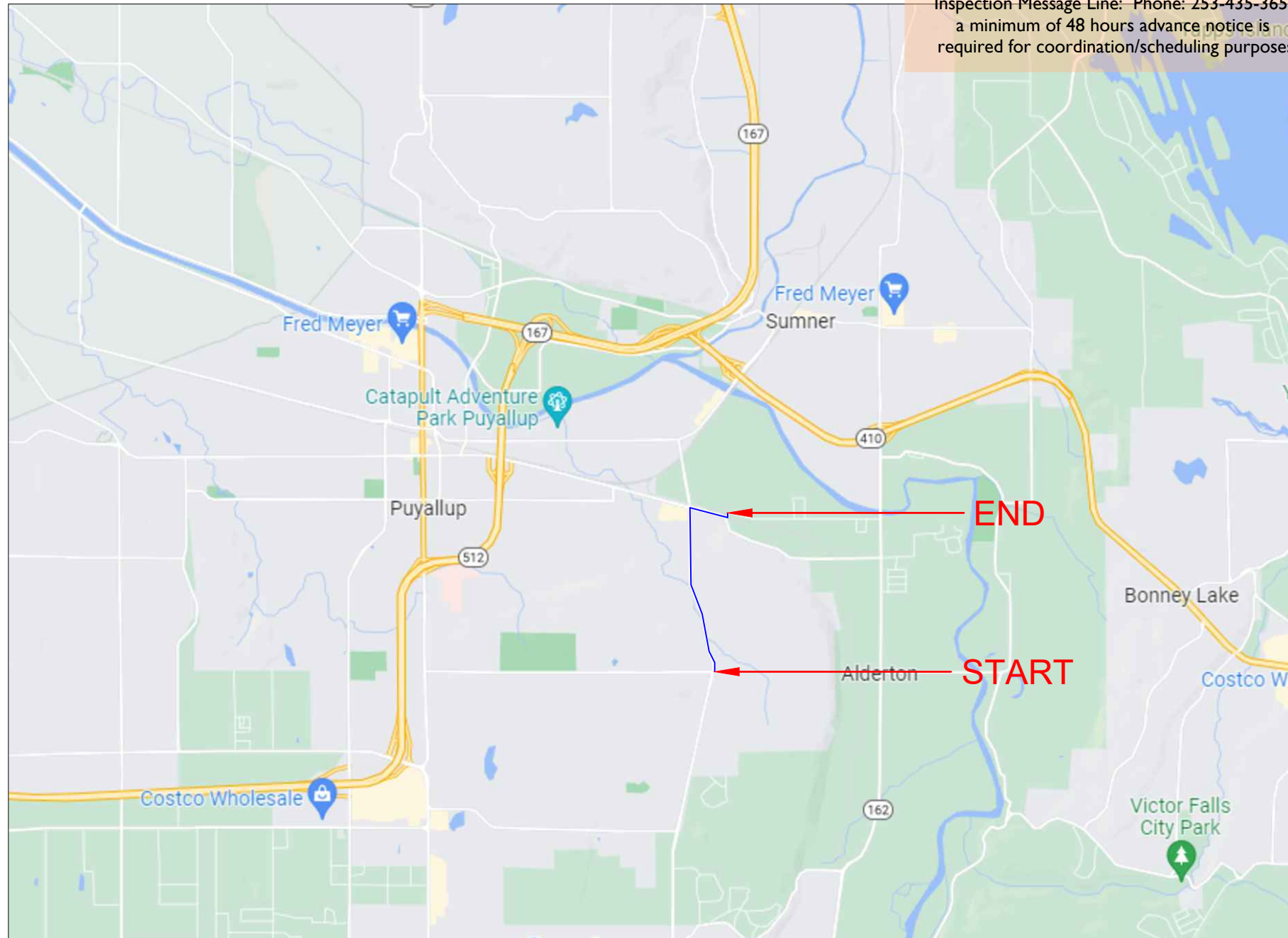
Page: 1



CITY OF PUYALLUP

Sheet:

1/5



END

START

FIELD NOTES:

UNDERGROUND

IN ALL UNDERGROUND INSTALLATIONS, A TRACER WIRE WILL BE RUN WITH THE FIBER OPTIC CABLE .PULLING TENSION ON FIBER SHALL NOT EXCEED 600 LBS MAXIMUM.

COMMUNICATION MARKERS

COMMUNICATIONS CABLE WRAP AROUND MARKERS SHALL BE INSTALLED AT EACH POLE LOCATION.

FIBER HANDLING

ALL FIBER CABLE ENDS WILL BE SEALED TO ENSURE THAT NO MOISTURE ENTERS. HANDLE FIBER WITH CARE. DO NOT ALLOW BEND RATIOS TO EXCEED 20 TIMES THE DIAMETER OF THE CABLE. PUGET SOUND ENERGY WILL TEST CABLE BEFORE AND AFTER INSTALLATION TO CONFIRM THAT NO DAMAGE HAS OCCURRED WHILE IN THE CONTRACTOR'S CARE.

SAFETY

CONTRACTOR WILL PROVIDE ALL FLAGGING AND WARNING SIGNS AS REQUIRED TO DO A SAFE JOB AND MEET FEDERAL, STATE AND LOCAL REQUIREMENTS.

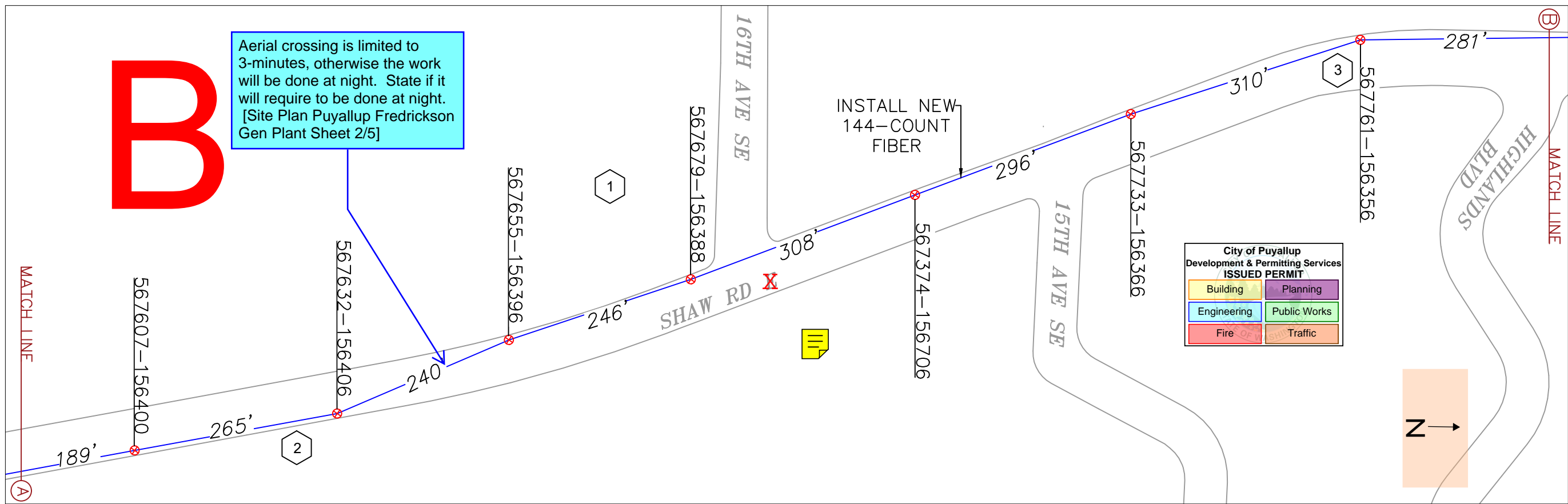
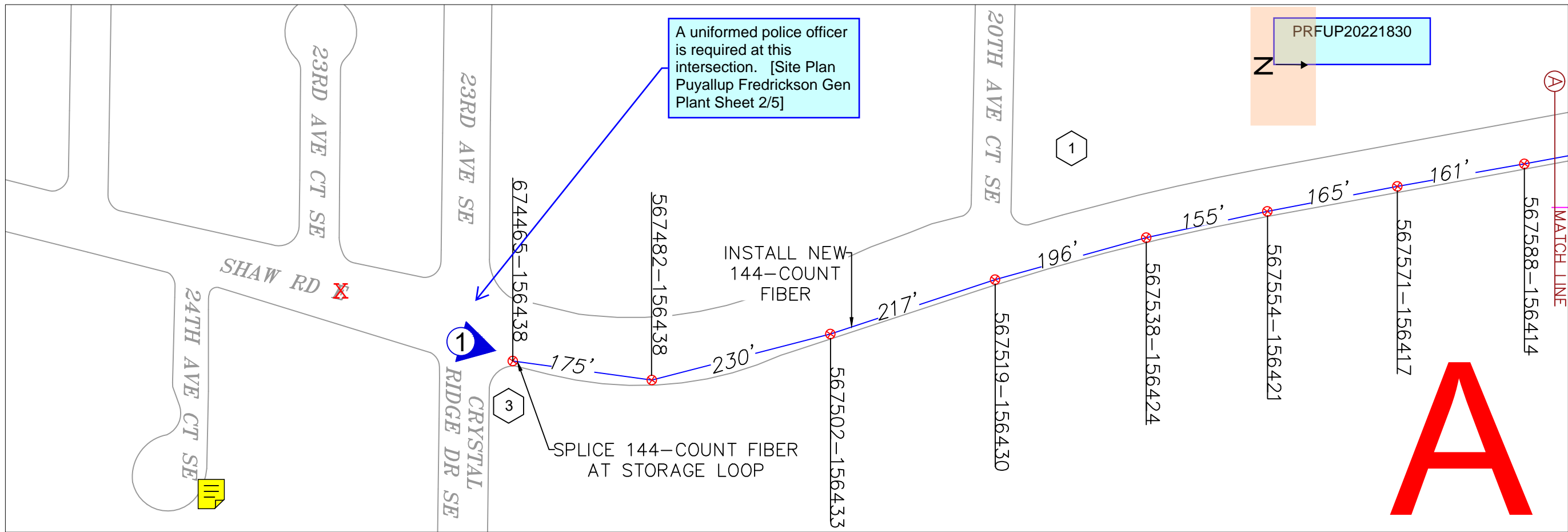
PERMITTING

MOST CITY/STATE PERMITS REQUIRE THAT WE NOTIFY THEM OF OUR INTENTION TO START A PROJECT 48 HOURS IN ADVANCE OF CONSTRUCTION. CHECK YOUR COPIES FOR INFORMATION REGARDING NOTIFICATION AND CALL 48 HOURS BEFORE YOUR INTENDED START DATE. PERMITS CAN BE VOIDED BY YOUR FAILURE TO MAKE NOTIFICATION. FOREMAN MUST HAVE COPIES OF PERMITS AT ALL TIMES WHERE REQUIRED.

ADMINISTRATION

CONTRACTOR AUTHORIZED TO MAKE ON SITE CHANGES AS DEEMED NECESSARY FOREMAN IS TO SIGN AS-BUILT PRINTS AND RETURN TO PUGET SOUND ENERGY. ANY QUESTIONS ABOUT THE CONSTRUCTION OF THIS JOB WILL BE ANSWERED BY: DENNIS LIBADIA (425) 223-2108

Dennis Libadia
Puget Sound Energy
Advisor Fiber Transport Engineer
9515 Willows Rd NE
Redmond, WA 98052
(425)223-2108



PLAN VIEW
A/B

1 INSTALL FIBER TANGENT CLAMPS WORKING DISTANCE ABOVE TELCO, MINIMUM 40" BELOW NEUTRAL ON ALL POLES UNLESS OTHERWISE INDICATED. INSURE FIBER IS ON SAME SIDE OF POLE AS TELCO.

2 INSTALL DOUBLE DEADENDS WORKING DISTANCE ABOVE TELCO. INSTALL AERIAL STORAGE (SNOWSHOES)

3 INSTALL DOUBLE DEADENDS WORKING DISTANCE ABOVE TELCO.

SYMBOL CORRESPONDS TO PHOTO LOCATIONS AND ORIENTATION. SEE SHEET FOR SITE PHOTOGRAPHS.



200' STORAGE	4	FIBER FTG. W/OUT STORAGE	7,001FT
EXISTING RISER	1	FIBER FTG. W/ STORAGE	7,601FT
JOINT POLE	34	TANGENT CLAMPS	28
NEW JOINT POLE	0	DOUBLE DEADENDS	6



FREDRICKSON GENERATION PLANT 1

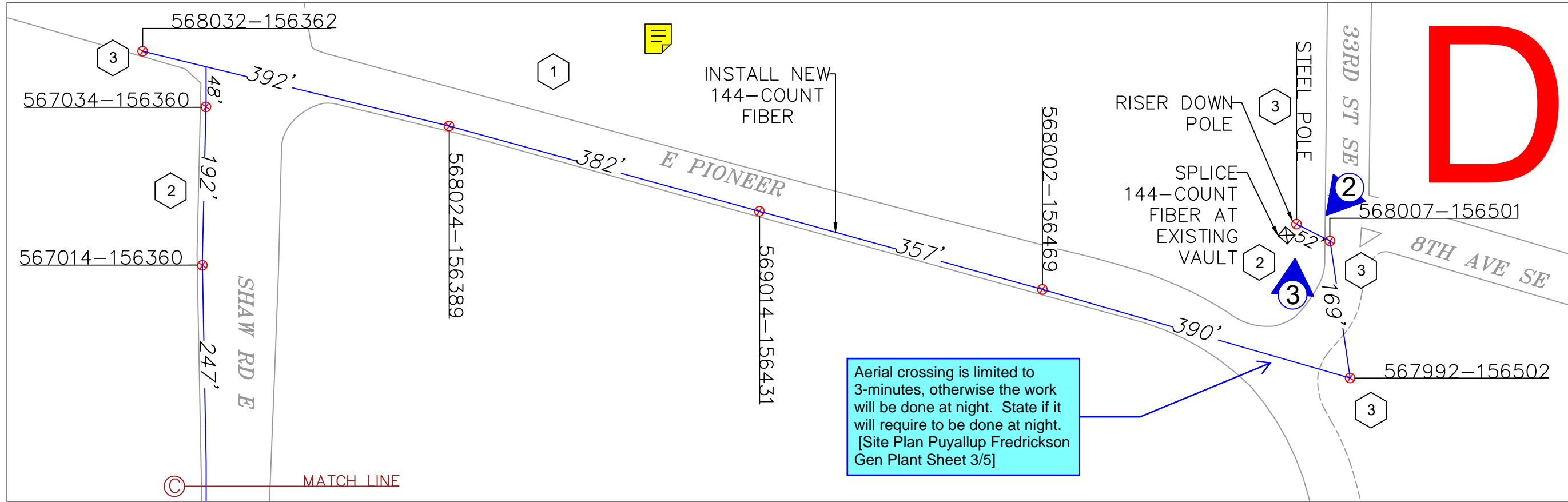
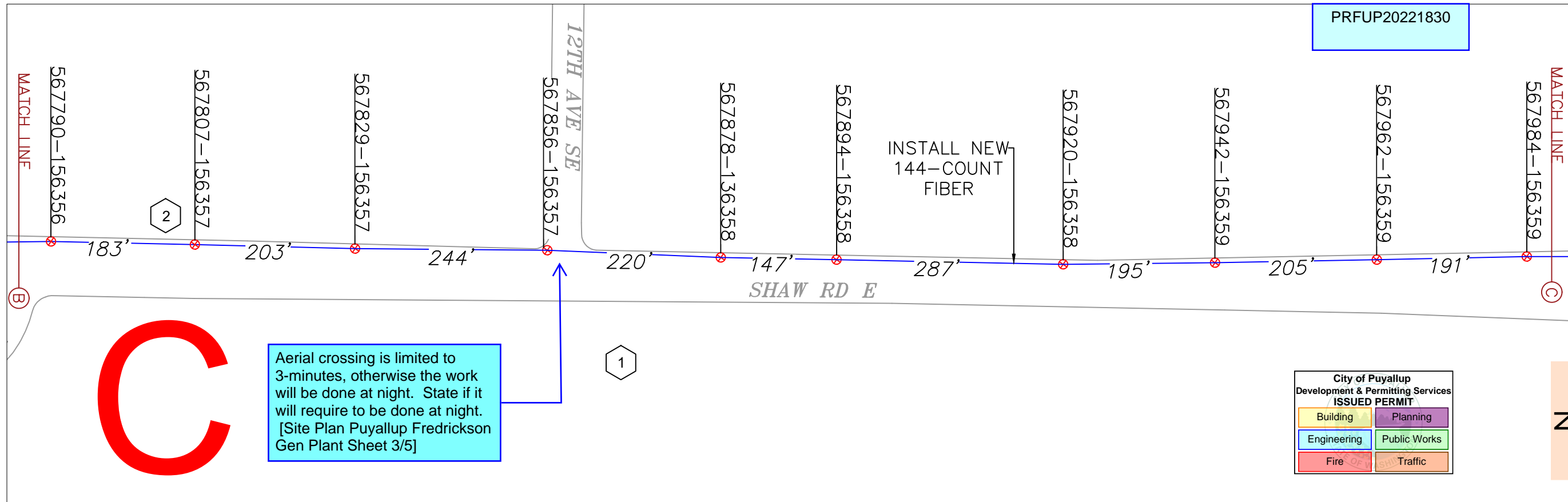
Designed by: V. Smith	Checked by: J. Smith	Approved by-date: J. Smith - 9/9/22	Filename: fredricksongeneration1.dwg	Date: 9/9/22	Scale: NTS
Revised Date:			Project Location: PUYALLUP		
City of Puyallup Development & Permitting Services ISSUED PERMIT			Confidential and Proprietary		
Puget Sound Energy			Page: 2		



CITY OF PUYALLUP

Sheet:

2/5



PLAN VIEW
C/D

1 INSTALL FIBER TANGENT CLAMPS WORKING DISTANCE ABOVE TELCO, MINIMUM 40" BELOW NEUTRAL ON ALL POLES UNLESS OTHERWISE INDICATED. INSURE FIBER IS ON SAME SIDE OF POLE AS TELCO.

2 INSTALL DOUBLE DEADENDS WORKING DISTANCE ABOVE TELCO. INSTALL AERIAL STORAGE (SNOWSHOES)

3 INSTALL DOUBLE DEADENDS WORKING DISTANCE ABOVE TELCO.

SYMBOL CORRESPONDS TO PHOTO LOCATIONS AND ORIENTATION. SEE SHEET FOR SITE PHOTOGRAPHS.



200' STORAGE	4	FIBER FTG. W/OUT STORAGE	7,001FT
EXISTING RISER	1	FIBER FTG. W/ STORAGE	7,601FT
JOINT POLE	34	TANGENT CLAMPS	28
NEW JOINT POLE	0	DOUBLE DEADENDS	6

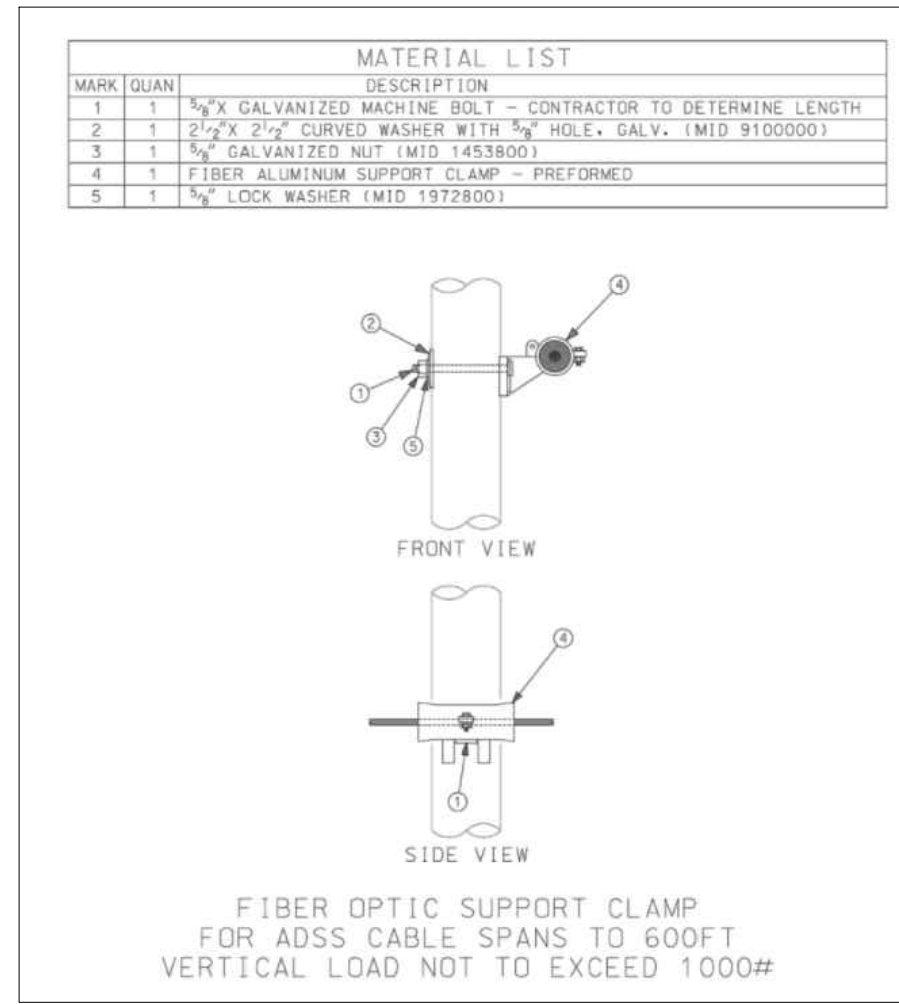
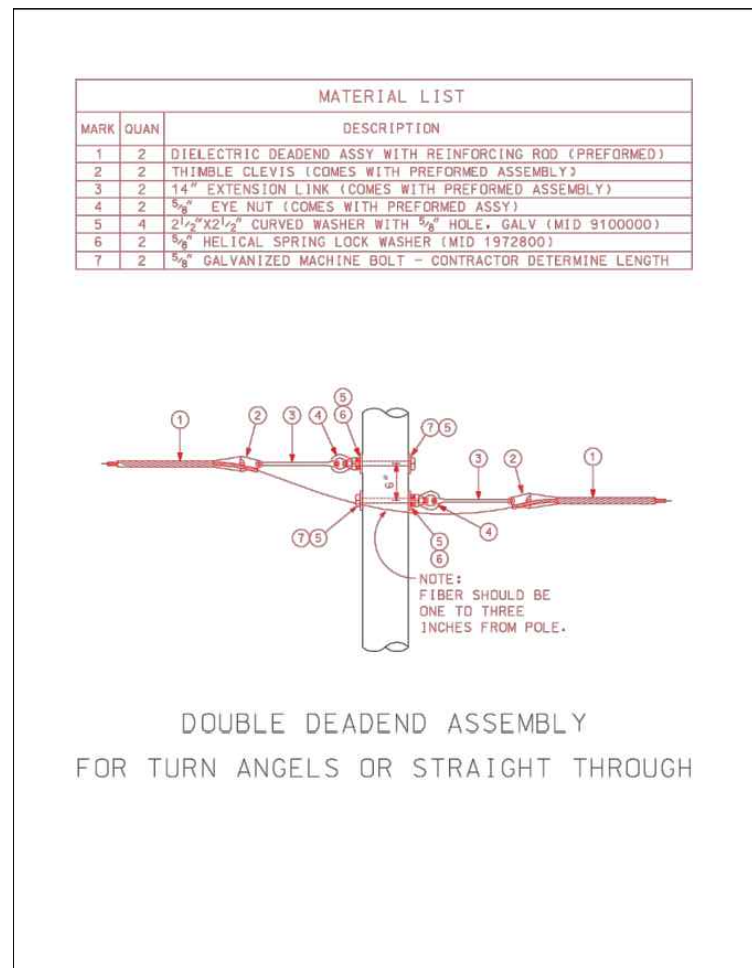
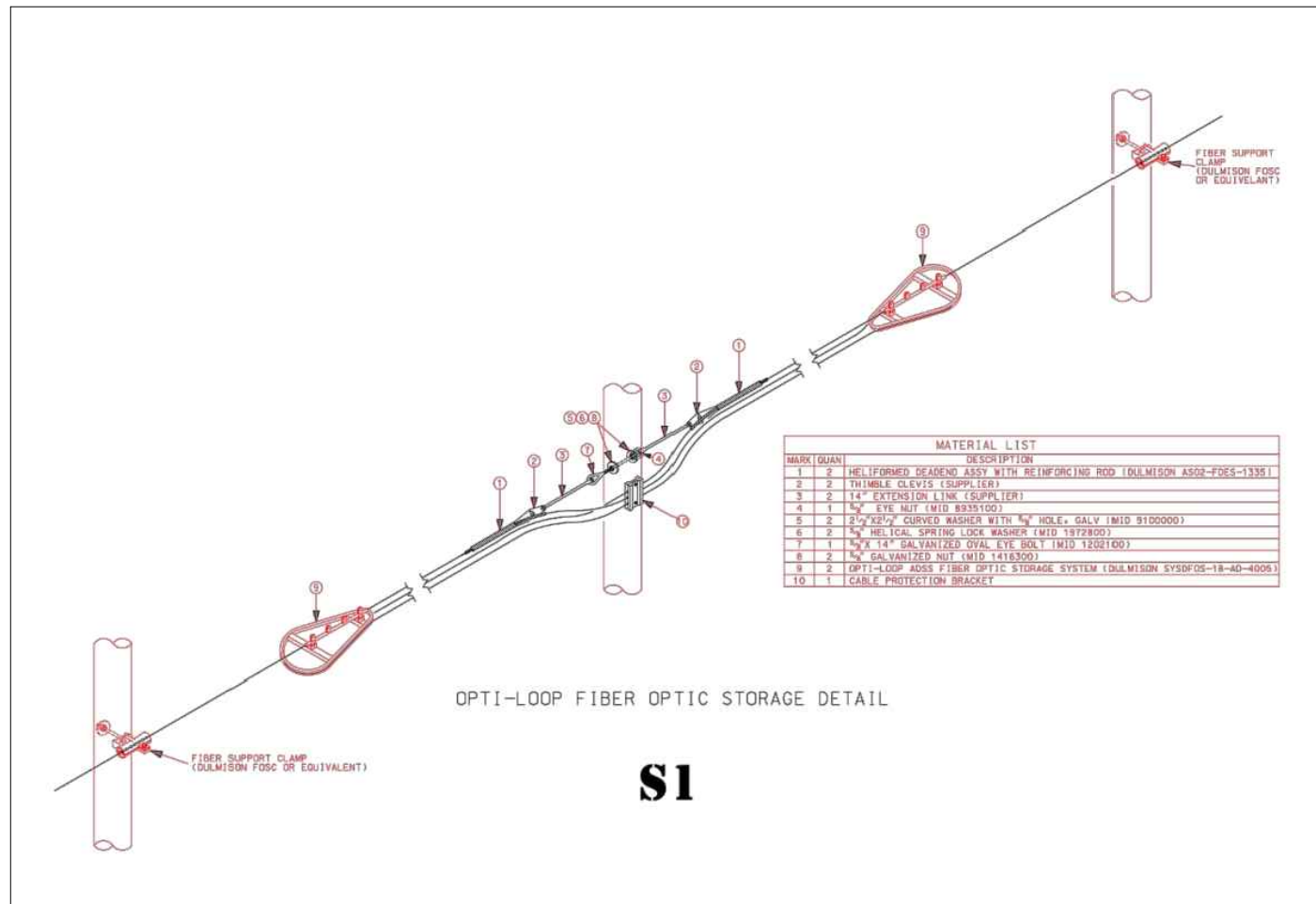


FREDRICKSON GENERATION PLANT 1

Designed by: V. Smith	Checked by: J. Smith	Approved by-date: J. Smith - 9/9/22	Filename: fredricksongeneration1.dwg	Date: 9/9/22	Scale: NTS
Puget Sound Energy			Confidential and Proprietary		
CITY OF PUYALLUP			Project Location: PUYALLUP		
Sheet: 3/5			Page:3		



CITY OF PUYALLUP



City of Puyallup
Development & Permitting Services
ISSUED PERMIT

Building	Planning
Engineering	Public Works
Fire	Traffic

FREDRICKSON GENERATION PLANT 1

Designed by: V. Smith	Checked by: J. Smith	Approved by - date: J. Smith - 9/9/22	Filename: fredricksongeneration1.dwg	Date: 9/9/22	Scale: NTS
Revised Date:			Project Location: PUYALLUP		
Puget Sound Energy			Confidential and Proprietary		
			Page:4		



CITY OF PUYALLUP

Sheet:

4/5

PRFUP20221830

City of Puyallup Development & Permitting Services ISSUED PERMIT	
Building	Planning
Engineering	Public Works
Fire	Traffic

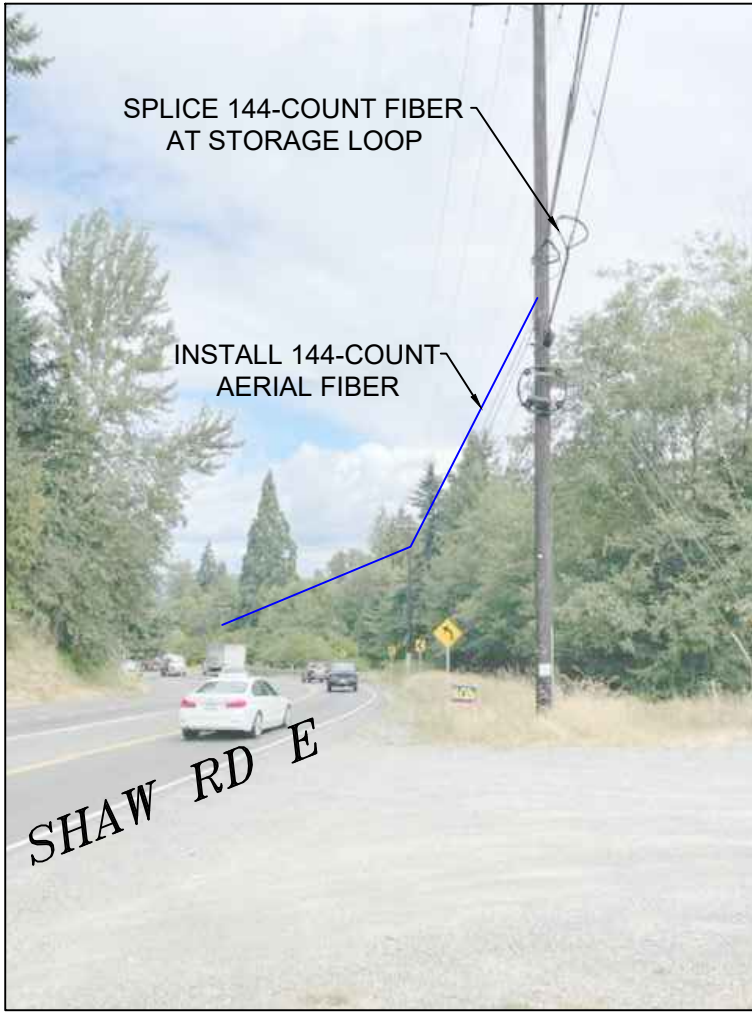


PHOTO #1 SEE PLAN VIEW A

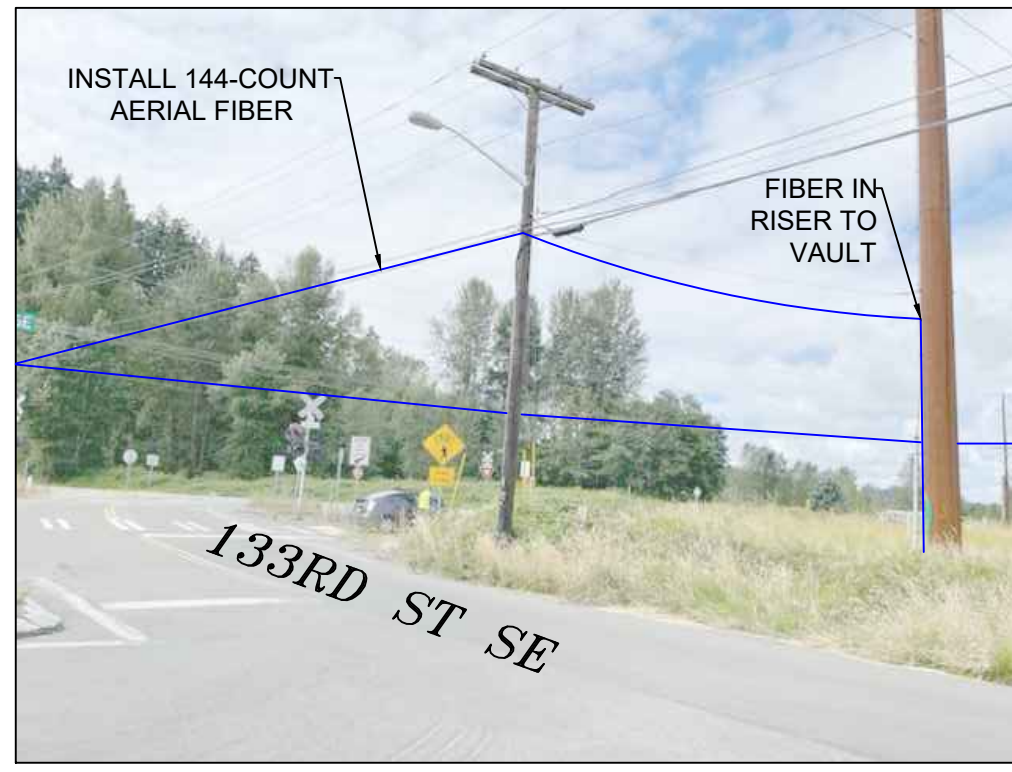


PHOTO #2 SEE PLAN VIEW D

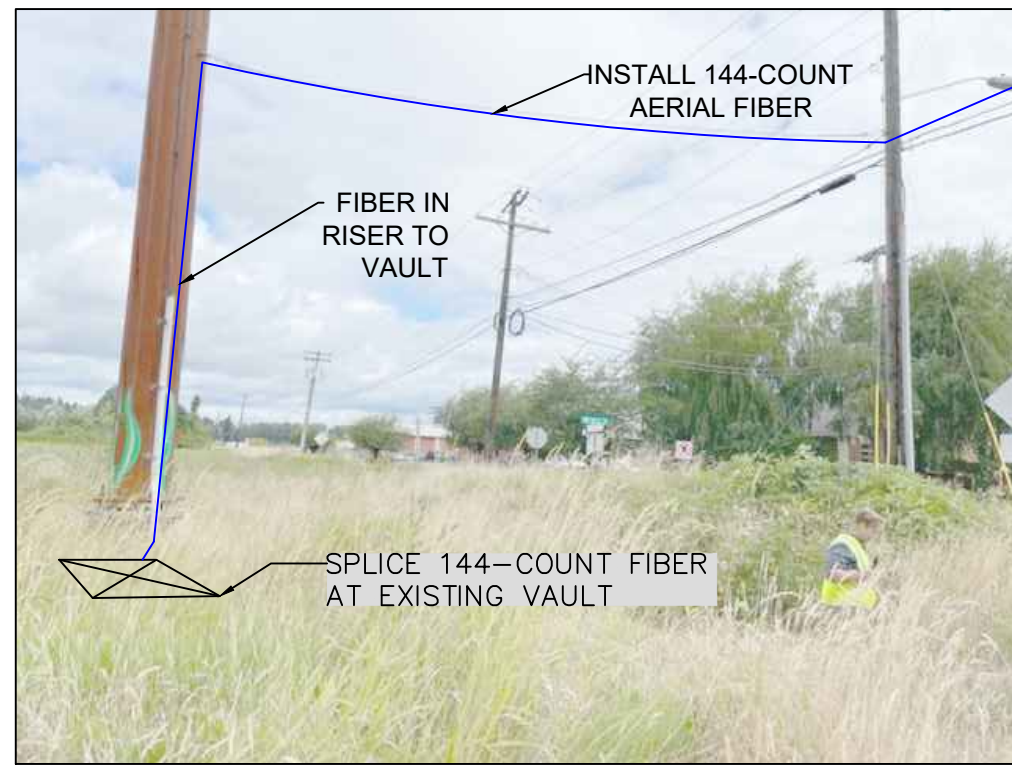


PHOTO #3 SEE PLAN VIEW D



FREDRICKSON GENERATION PLANT 1

Designed by: V. Smith	Checked by: J. Smith	Approved by - date: J. Smith - 9/9/22	Filename: fredericksongeneration1.dwg	Date: 9/9/22	Scale: NTS
Puget Sound Energy			Revised Date:		Project Location: PUYALLUP
Confidential and Proprietary					Page: 5



CITY OF PUYALLUP

Sheet:

5/5

