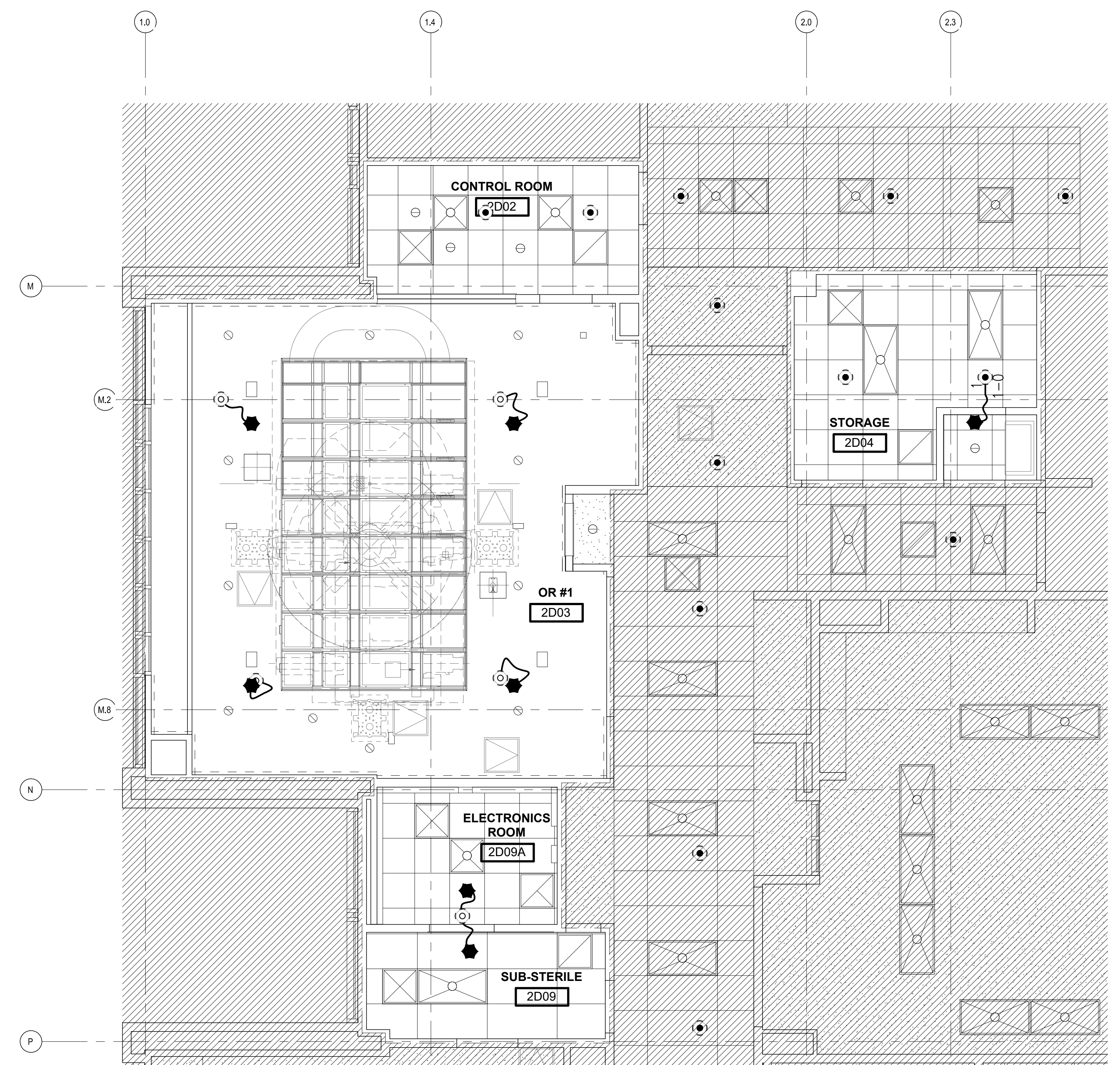


THE APPROVED CONSTRUCTION PLANS AND ALL ENGINEERING MUST BE POSTED ON THE JOB AT ALL INSPECTIONS IN A VISIBLE AND READILY ACCESSIBLE LOCATION.

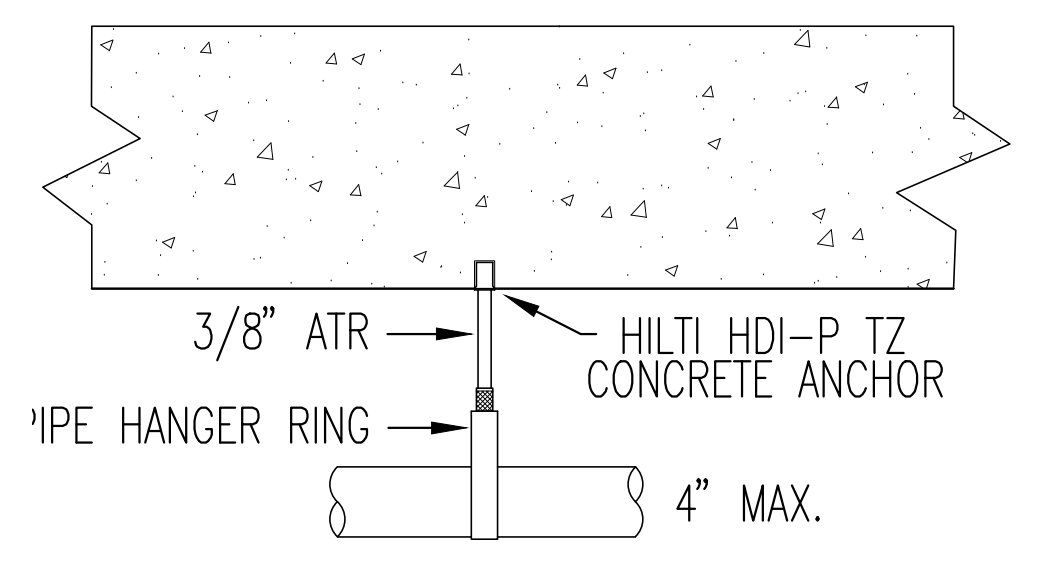
Approval of submitted plans is not an approval of omissions or oversight by this office or noncompliance with any applicable regulations of local government. The contractor is responsible for making sure that the building complies with all applicable building codes and regulations of the local government.

City of Puyallup
Development & Permitting Services
ISSUED PERMIT

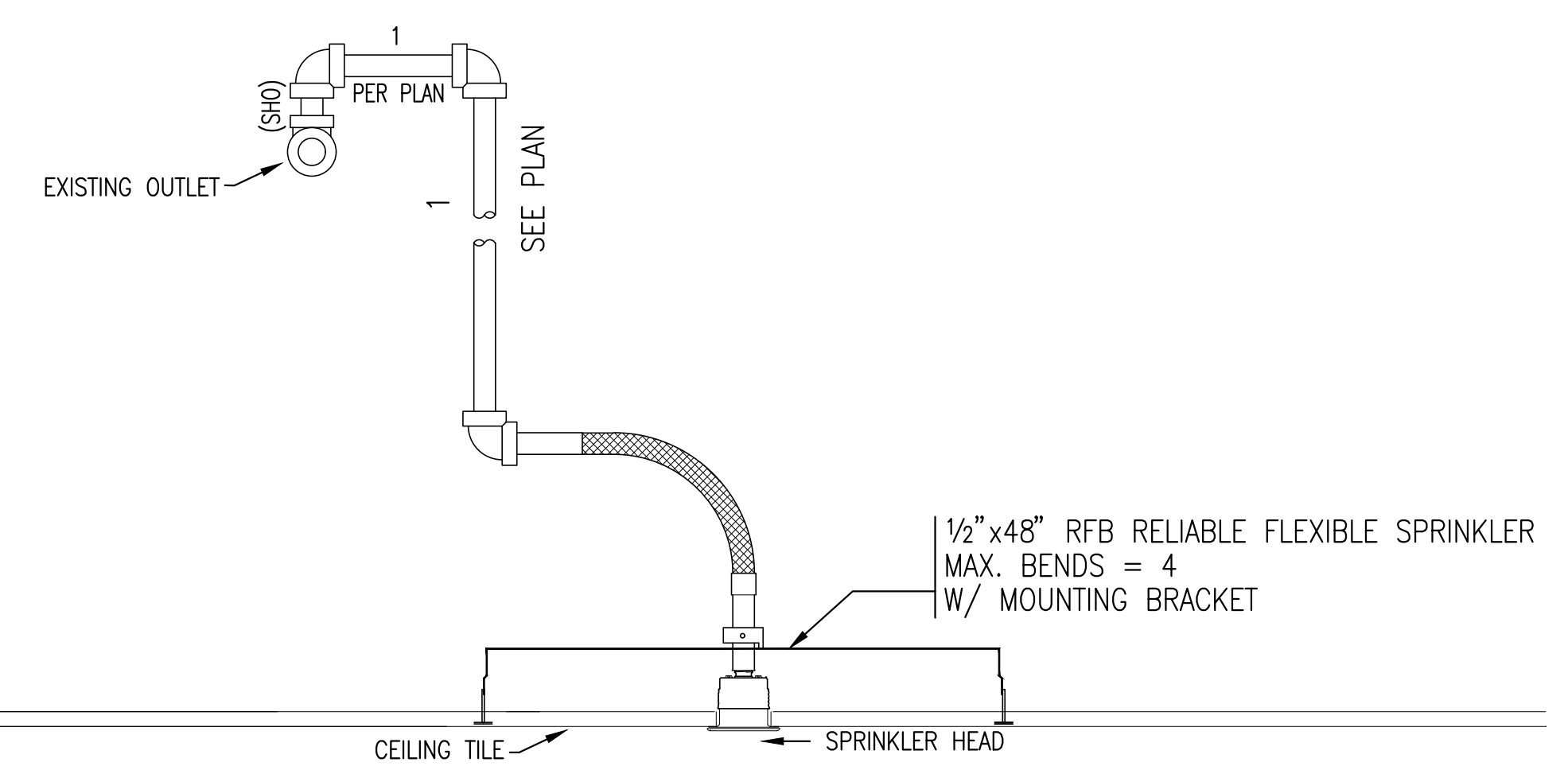
Building	Planning
Engineering	Public Works
Fire	Traffic



PARTIAL 2ND FLR FIRE SPRINKLER PLAN
SCALE: 1/4"=1'-0"



TYPICAL HANGER DETAIL
SCALE: NTS



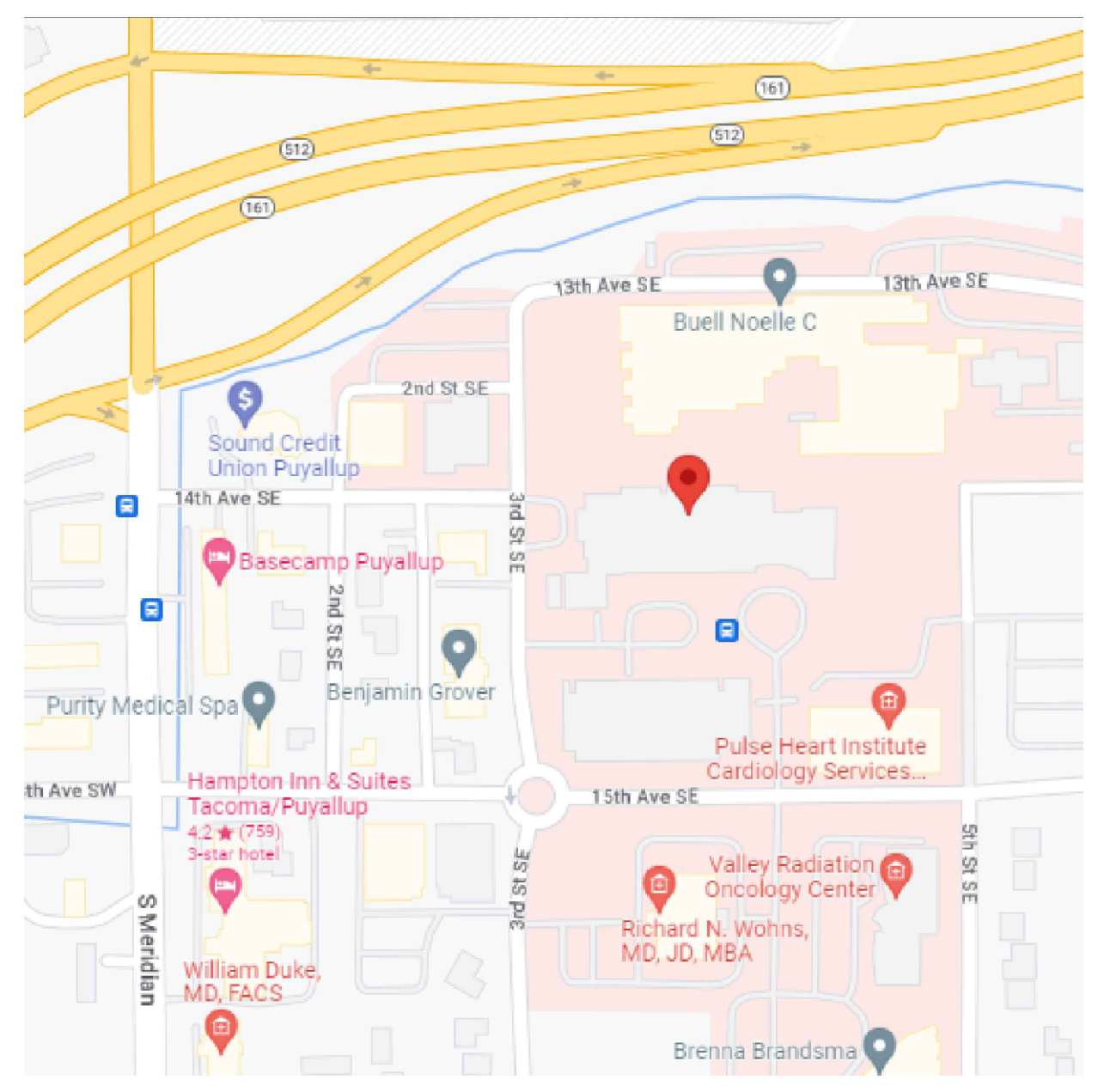
TYPICAL FLEXIBLE SPRINKLER DETAILS
SCALE: N/D/E

SCOPE OF WORK

MODIFY EXISTING SPRINKLER SYSTEM TO PROTECT NEW TENANT IMPROVEMENT WALL AND CEILING LAYOUT.

GENERAL NOTES

- DENOTES EXISTING FIRE SPRINKLER PIPING.
- DENOTES NEW FIRE SPRINKLER PIPING.
- ⊕ DENOTES EXISTING FIRE SPRINKLER TO MOVE.
- ⊙ DENOTES EXISTING FIRE SPRINKLER PENDENT TO REMAIN.



VICINITY MAP
SCALE: NTS

HANGER LEGEND

A	"U" HOOK
B	COACH SCREW ROD
D	BM. CLAMP W/ "STRAP
E	EYELET
F	FLUSH SHELL
G	CEILING FLANGE
H	SIDE BEAM BRACKET
K	SHORT CLIP
M	ALL THREAD ROD
N	TOGGLE NUT
P	POWDER DRIVEN STUD
R	EXPANSION BOLT
S	PIPE SPIKE
T	TRUSS EYELET
U	
V	
W	
X	
Y	
Z	

STATE CERTIFICATION	SPRINKLER LEGEND																																																
	<table border="1"> <tr> <th>SPRINKER THROAT</th> <th>SPRINKLER ORIFICE SIZES AND TYPE</th> <th>ORIFICE</th> <th>TEMP. RATING</th> <th>TEMP. RATING</th> <th>TEMP. RATING</th> </tr> <tr> <td>1/2"</td> <td>5/16" 3/8" 7/16" 1"</td> <td>1/2"</td> <td>165°</td> <td>212°</td> <td>286°</td> </tr> <tr> <td>3/4"</td> <td>3/8" 1/2" 5/8" 3/4" 1"</td> <td>3/4"</td> <td>350°</td> <td>500°</td> <td></td> </tr> <tr> <td>1"</td> <td>1/2" 3/4" 1" 1 1/2"</td> <td>1"</td> <td></td> <td></td> <td></td> </tr> <tr> <td>1 1/2"</td> <td>3/4" 1" 1 1/2" 2"</td> <td>1 1/2"</td> <td></td> <td></td> <td></td> </tr> </table>	SPRINKER THROAT	SPRINKLER ORIFICE SIZES AND TYPE	ORIFICE	TEMP. RATING	TEMP. RATING	TEMP. RATING	1/2"	5/16" 3/8" 7/16" 1"	1/2"	165°	212°	286°	3/4"	3/8" 1/2" 5/8" 3/4" 1"	3/4"	350°	500°		1"	1/2" 3/4" 1" 1 1/2"	1"				1 1/2"	3/4" 1" 1 1/2" 2"	1 1/2"																					
SPRINKER THROAT	SPRINKLER ORIFICE SIZES AND TYPE	ORIFICE	TEMP. RATING	TEMP. RATING	TEMP. RATING																																												
1/2"	5/16" 3/8" 7/16" 1"	1/2"	165°	212°	286°																																												
3/4"	3/8" 1/2" 5/8" 3/4" 1"	3/4"	350°	500°																																													
1"	1/2" 3/4" 1" 1 1/2"	1"																																															
1 1/2"	3/4" 1" 1 1/2" 2"	1 1/2"																																															
<table border="1"> <tr> <th>TEMP. RATING</th> <th>ORIFICE</th> <th>ORIFICE</th> <th>ORIFICE</th> </tr> <tr> <td>165°</td> <td>1/2"</td> <td>3/4"</td> <td>1"</td> </tr> <tr> <td>212°</td> <td>3/4"</td> <td>1"</td> <td>1 1/2"</td> </tr> <tr> <td>286°</td> <td>1"</td> <td>1 1/2"</td> <td>2"</td> </tr> <tr> <td>350°</td> <td>1 1/2"</td> <td>2"</td> <td></td> </tr> <tr> <td>500°</td> <td>2"</td> <td></td> <td></td> </tr> </table>	TEMP. RATING	ORIFICE	ORIFICE	ORIFICE	165°	1/2"	3/4"	1"	212°	3/4"	1"	1 1/2"	286°	1"	1 1/2"	2"	350°	1 1/2"	2"		500°	2"			<table border="1"> <tr> <th>TEMP. RATING</th> <th>ORIFICE</th> <th>ORIFICE</th> <th>ORIFICE</th> </tr> <tr> <td>165°</td> <td>1/2"</td> <td>3/4"</td> <td>1"</td> </tr> <tr> <td>212°</td> <td>3/4"</td> <td>1"</td> <td>1 1/2"</td> </tr> <tr> <td>286°</td> <td>1"</td> <td>1 1/2"</td> <td>2"</td> </tr> <tr> <td>350°</td> <td>1 1/2"</td> <td>2"</td> <td></td> </tr> <tr> <td>500°</td> <td>2"</td> <td></td> <td></td> </tr> </table>	TEMP. RATING	ORIFICE	ORIFICE	ORIFICE	165°	1/2"	3/4"	1"	212°	3/4"	1"	1 1/2"	286°	1"	1 1/2"	2"	350°	1 1/2"	2"		500°	2"		
TEMP. RATING	ORIFICE	ORIFICE	ORIFICE																																														
165°	1/2"	3/4"	1"																																														
212°	3/4"	1"	1 1/2"																																														
286°	1"	1 1/2"	2"																																														
350°	1 1/2"	2"																																															
500°	2"																																																
TEMP. RATING	ORIFICE	ORIFICE	ORIFICE																																														
165°	1/2"	3/4"	1"																																														
212°	3/4"	1"	1 1/2"																																														
286°	1"	1 1/2"	2"																																														
350°	1 1/2"	2"																																															
500°	2"																																																
<table border="1"> <tr> <th>TEMP. RATING</th> <th>ORIFICE</th> <th>ORIFICE</th> <th>ORIFICE</th> </tr> <tr> <td>165°</td> <td>1/2"</td> <td>3/4"</td> <td>1"</td> </tr> <tr> <td>212°</td> <td>3/4"</td> <td>1"</td> <td>1 1/2"</td> </tr> <tr> <td>286°</td> <td>1"</td> <td>1 1/2"</td> <td>2"</td> </tr> <tr> <td>350°</td> <td>1 1/2"</td> <td>2"</td> <td></td> </tr> <tr> <td>500°</td> <td>2"</td> <td></td> <td></td> </tr> </table>	TEMP. RATING	ORIFICE	ORIFICE	ORIFICE	165°	1/2"	3/4"	1"	212°	3/4"	1"	1 1/2"	286°	1"	1 1/2"	2"	350°	1 1/2"	2"		500°	2"			<table border="1"> <tr> <th>TEMP. RATING</th> <th>ORIFICE</th> <th>ORIFICE</th> <th>ORIFICE</th> </tr> <tr> <td>165°</td> <td>1/2"</td> <td>3/4"</td> <td>1"</td> </tr> <tr> <td>212°</td> <td>3/4"</td> <td>1"</td> <td>1 1/2"</td> </tr> <tr> <td>286°</td> <td>1"</td> <td>1 1/2"</td> <td>2"</td> </tr> <tr> <td>350°</td> <td>1 1/2"</td> <td>2"</td> <td></td> </tr> <tr> <td>500°</td> <td>2"</td> <td></td> <td></td> </tr> </table>	TEMP. RATING	ORIFICE	ORIFICE	ORIFICE	165°	1/2"	3/4"	1"	212°	3/4"	1"	1 1/2"	286°	1"	1 1/2"	2"	350°	1 1/2"	2"		500°	2"		
TEMP. RATING	ORIFICE	ORIFICE	ORIFICE																																														
165°	1/2"	3/4"	1"																																														
212°	3/4"	1"	1 1/2"																																														
286°	1"	1 1/2"	2"																																														
350°	1 1/2"	2"																																															
500°	2"																																																
TEMP. RATING	ORIFICE	ORIFICE	ORIFICE																																														
165°	1/2"	3/4"	1"																																														
212°	3/4"	1"	1 1/2"																																														
286°	1"	1 1/2"	2"																																														
350°	1 1/2"	2"																																															
500°	2"																																																

SPRINKLER HEADS USED

SYM	MANUF	MODEL	TYPE	THREAD SIZE	ORIFICE SIZE	HEAD FINISH	ESCUTCH FINISH	TEMP	QTY
⊙	RELIABLE	G556	OR CONCEALED	1/2"	K-56	BRONZE	WHITE	165F	9
									TOTAL
									9

QUALITY CONTROL BY	DATE
APPROVED FOR FABRICATION BY	DATE

GENERAL NOTES

- ALL MATERIAL AND EQUIPMENT TO BE NEW AND LIST ULLED OR FM APPROVED.
- PIPING DIMENSIONS ARE CENTER TO CENTER EXCEPT RISERS AND DIMENSIONS SHOWN THUSLY (1-6) WHICH ARE END TO END.
- EARTHQUAKE BRACING SHALL BE PROVIDED IN ACCORDANCE WITH NFPA PAMPHLET NO. 13, APPLICABLE EDITION.
- PIPE HANGERS AND METHOD OF HANGING TO BE IN ACCORDANCE WITH NFPA PAMPHLET NO. 13, APPLICABLE EDITION.
- PIPING SHALL BE IN ACCORDANCE WITH NFPA PAMPHLET NO. 13, APPLICABLE EDITION.
- JOINING OF PIPE AND FITTINGS, THREADED & WELDED, SHALL BE IN ACCORDANCE WITH NFPA PAMPHLET NO. 13, APPLICABLE EDITION.
- OWNER TO PROVIDE ADEQUATE HEAT IN AREAS PROTECTED BY A WET PIPE SPRINKLER SYSTEM TO PREVENT WATER IN PIPES FROM FREEZING.
- ALL WIRING OF ELECTRICAL DEVICES (IF REQUIRED) TO BE PROVIDED BY OTHERS.
- PAINTING OF PIPE & EQUIPMENT (IF REQUIRED) TO BE PROVIDED BY OTHERS.
- FURRING OF PIPE & EQUIPMENT (IF REQUIRED) TO BE PROVIDED BY OTHERS.

DESIGN CRITERIA

- DESIGN PER NFPA 13 - LIGHT HAZARD OFFICE.

PIPE NOTES

- ALL NEW THREADED PIPE TO BE SCH 40 - BLACK.
- ALL NEW WELDED PIPE TO BE SCH 10 - BLACK.

REVISIONS

NO	DATE	BY	DESCRIPTION

CONTRACT WITH:
HOWARD S. WRIGHT
415 1ST AVE M STE. 400
SEATTLE, WA 98109

PROJECT NAME:
GSH HYBRID OR #1 TI
401 15TH AVE SE
PUYALLUP, WA 98372

PATRIOT FIRE PROTECTION, INC.
2707 70TH AVE E
TACOMA, WA 98424
TEL: (253) 926-2290
FAX: (253) 922-6150

WWW.PATRIOTFIRE.COM
Travis.Nichols@patriotfire.com

DESIGNER	MATT GREENE	SHEET	FP-1
DATE	4/10/23	1 OF 1	
JOB NO.	12-23281		