

GOOD SAMARITAN HOSPITAL

HYBRID O.R. #1 TENANT IMPROVEMENT

Fire Alarm and Detection System

Equipment Supplied By



Project Team Contact Information

Sales Representative:	Tim Duggan	timothy.duggan@jci.com	(253) 509-8816
Project Engineer:	Eric Beck	eric.beck@jci.com	(206) 777-4821
Project Coordinator:	Bryan Reimer	bryan.reimer@jci.com	(206) 777-4933
Technician Scheduler:	Yvonne Thompson	yvonne.thompson@jci.com	(206) 777-4860

INCLUDED	SHEET NUMBER	SHEET TITLE
X	FA-COV-01	TITLE SHEET
X	FA-COV-02	GENERAL INFORMATION
	FA-RIS-01	RISER DIAGRAM
	FA-DET-01	WIRING TYPICALS
	FA-DET-02	WIRING TYPICALS
X	FA-DET-03	WIRING TYPICALS
	FA-FG	PARKING
	FA-DO-01	DROP OFF
	FA-B-01	BASEMENT
	FA-G-01W	GROUND WEST
	FA-G-01E	GROUND EAST
	FA-F-01W	LEVEL 1 WEST
	FA-F-01E	LEVEL 1 EAST
X	FA-F-02W-D	LEVEL 2 WEST DEMO
X	FA-F-02W	LEVEL 2 WEST
	FA-F-02E	LEVEL 2 EAST
	FA-R-01	ROOF



12781 Gateway Drive
Tukwila, WA 98166
SALES: 206-291-1400
SERVICE: 206-291-1400

NO.	DATE	REVISION DESCRIPTION	DRAFTER	ENGINEER	PROJECT #
16	8/14/20	GORDON EDU T.I.	SSS	JWB	619230901
17	2/22/21	GORDON EDU T.I.- CUSTOMER CMNT	MAM	JWB	619230901
	06/14/21	GORDON EDU RECORD DRAWINGS	MAM		619230901
	09/02/21	GORDON EDU RECORD DWGS. UPDATES	MAM		619230901
18	5/5/23	HYBRID O.R. #1, T.I.	MAM	EOB	650284615

DRAWINGS REVIEWED BY:
Eric Beck, CET
NICET #228884
Fire Alarm Systems, Level III

**FIRE ALARM SYSTEM
TITLE SHEET**
GOOD SAMARITAN HOSPITAL - WEST WING
407 14TH AVENUE SOUTHEAST
PUYALLUP, WA

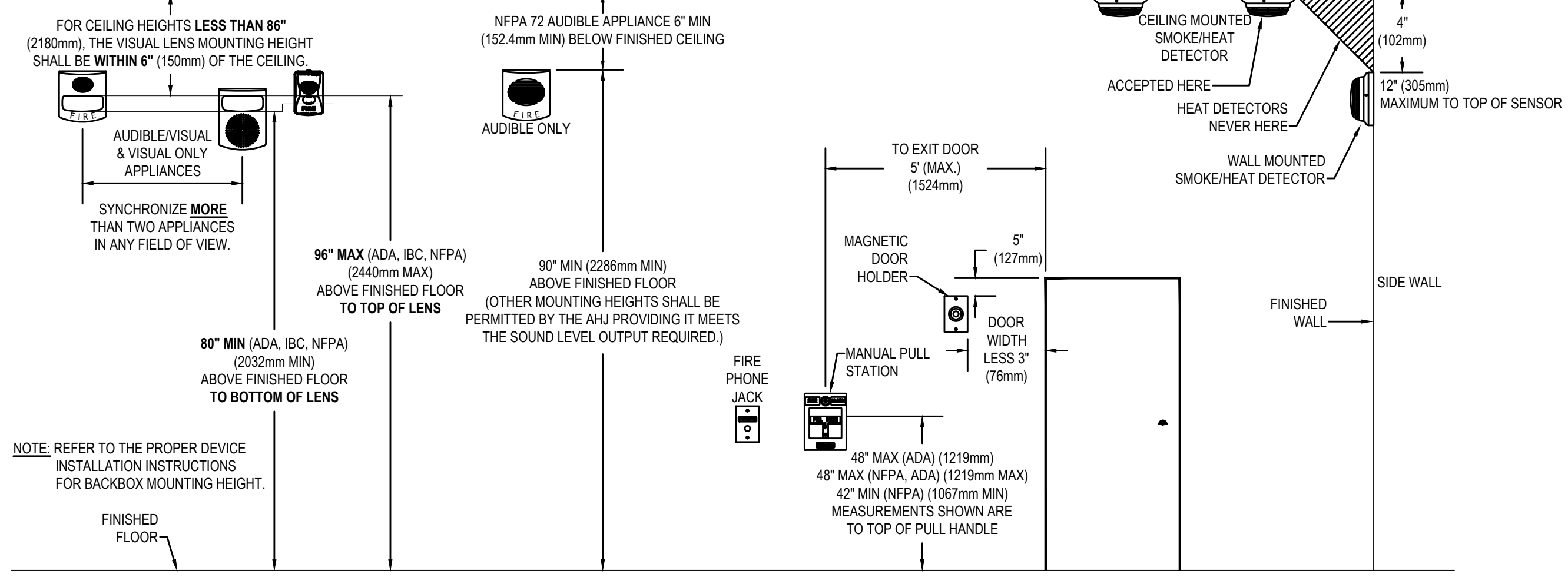
APPROVED BY:
K. CHUN
DRAWN BY:
JCP
DATE:
3-1-2000
PROJECT NUMBER:
459-990051

SHEET NUMBER:
FA-COV-01

DEVICE MOUNTING HEIGHT REFERENCE

PER NFPA 72

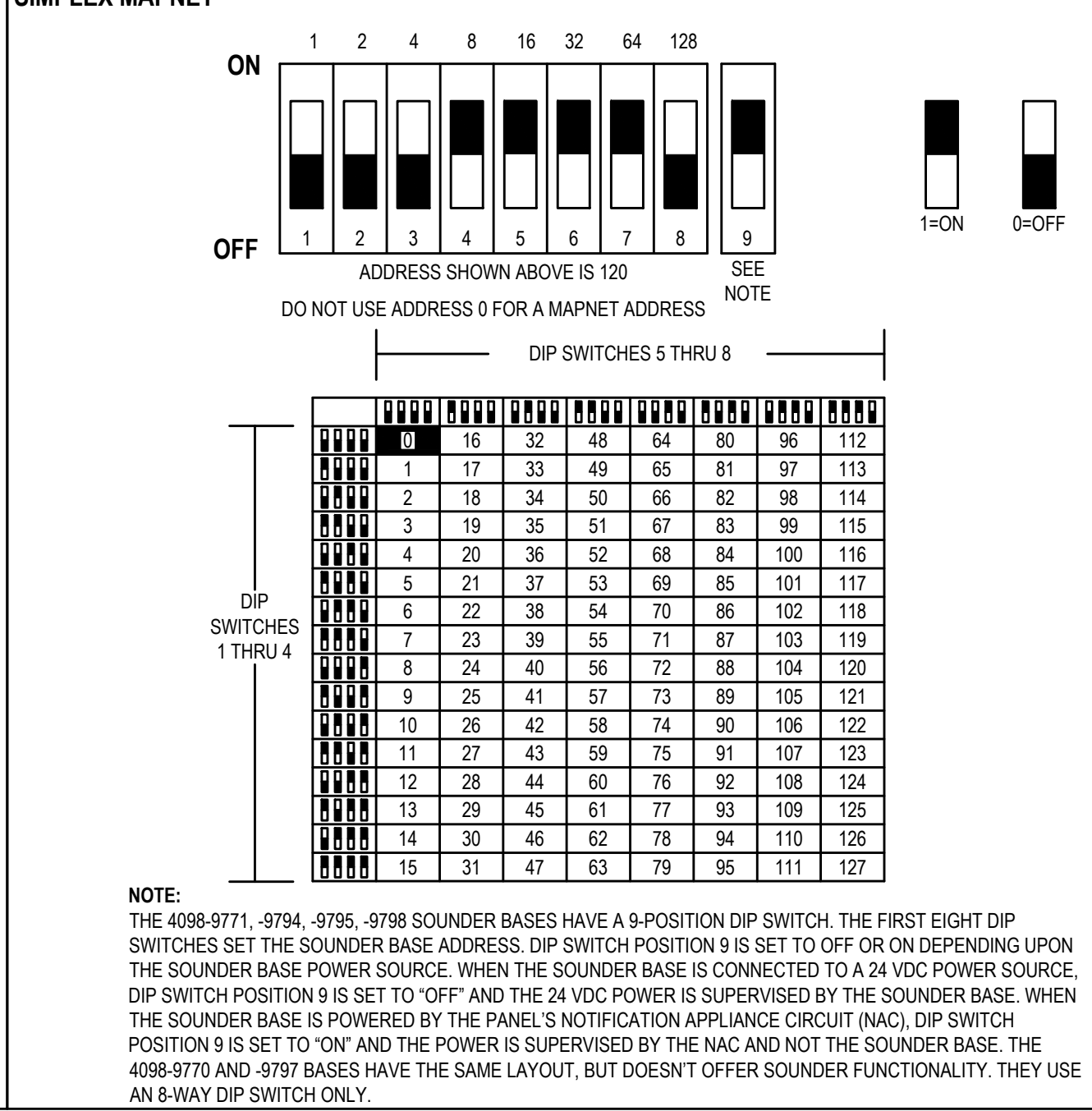
- MIN. DISTANCE IN SLEEPING ROOMS IS 24" (610mm) FROM CEILING TO TOP OF LENS FOR 110CD STROBES WITHIN 16' OF THE FLOOR.
- 177CD STROBES, USED IN SLEEPING ROOMS, CAN BE WITHIN THE 24" (610mm) MINIMUM DISTANCE FROM THE CEILING. THE HIGHER INTENSITY IS TO COMPENSATE FOR A POSSIBLE SMOKE LAYER.



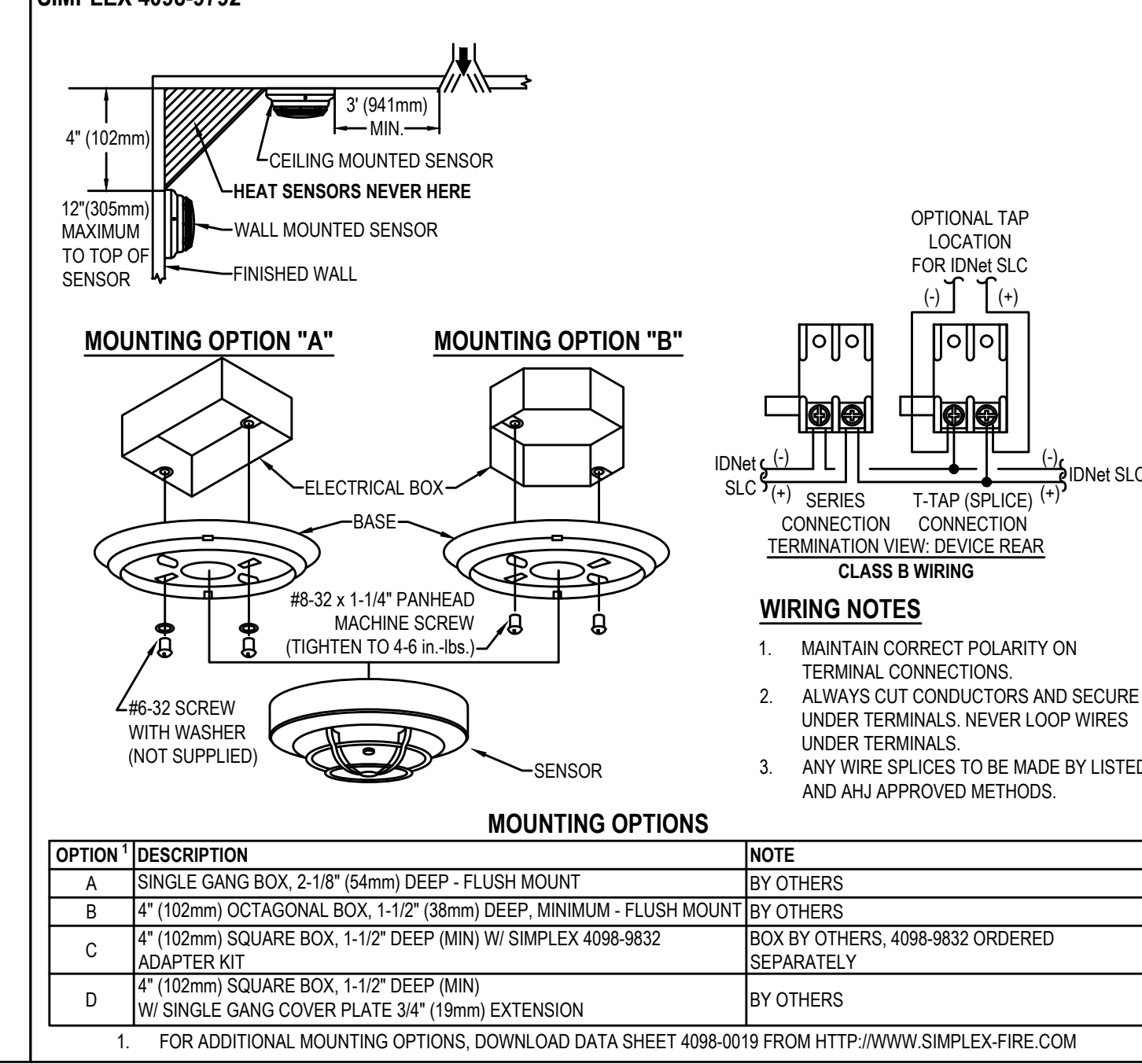
END OF LINE RESISTOR CODES

MODEL NUMBER	REF NUMBER	Ω	BAND NUMBER	WATTS	CIRCUIT TYPE	FIRE ALARM PANEL/MODULE			
1	2	3	4	5					
4081-9001	733-892	2.2K	RED	RED	GLD	N/A	1/2	ANNUNCIATOR (4300)	4004, 4010 (TROUBLE)
4081-9002	733-893	3.3K	ORG	ORG	GLD	N/A	1/2	N.O. INITIATING PULL, SMOKE, HEAT, WATERFLOW, TAMPER, ETC.	4004*, 4008*, 4009*, 4006, 4100, 4100, 4100(1), 24M
4081-9003	733-896	4.7K	YEL	VT	RED	GLD	N/A	24 PT. I/O SWITCH (S/P)	4605-7401, 4100 SERIES
4081-9004	733-886	6.8K	BLU	GRY	RED	GLD	N/A	CURRENT LIMITED N.O. INIT.	4090 IDNET IAM (EOLR)
4081-9005	733-984	1.8K	BRN	GRY	RED	GLD	N/A	NO INITIATING PULL, SMOKE, HEAT, W.FLOW, TAMPER, ETC.	4004, 4005, 4090-9001 IDNET IAM (EOLR)
4081-9006	733-890	560	GRN	BLU	BRN	GLD	N/A	N.C. INITIATING (EOLR)	4005*, 4008*, 4009*, 4006, 4100, 4100(1)
4081-9007	733-891	1.2K	BRN	RED	RED	GLD	N/A	N.C. INITIATING (EOLR)	4005
4081-9008	733-894	10K	BRN	BLK	ORG	GLD	N/A	NOTIFICATION	4004*, 4005*, 4008*, 4009*, 4006, 4100, 4100(1)
4081-9009	733-912	20	RED	BLK	BLK	GLD	N/A	TO MR-101 RELAY COIL	4005 & POINT I/O
4081-9010	733-973	1K	BRN	BLK	RED	GLD	N/A	N.C. INIT. (ACROSS CONTACTS)	4090-9001 IDNET IAM (EOLR)
4081-9011	733-974	100	BRN	BLK	BRN	GLD	N/A	24 PT. I/O (ACROSS CONTACTS)	4605-7401, 4100 SERIES
4081-9012	733-985	22K	RED	RED	ORG	GLD	N/A	CURRENT LIMITED N.O. INIT. (IN SERIES WITH CONTACT)	4090-9001 IDNET IAM
4081-9013	734-088	4.99K	YEL	WHT	BRN	BRN	1/2	ANNUNCIATOR (N2)	4006, 4008, 4010
4081-9014	734-092	2.4K	RED	YEL	RED	GLD	N/A	SPEAKER CIRCUIT	4003
4081-9015	734-093	1.5K	BRN	GRN	RED	GLD	N/A	N.C. INITIATING (SECURITY MONITORING EOLR)	4090-9001 IDNET IAM
4081-9016	734-149	15K	BRN	GRN	YEL	GLD	N/A	CURRENT LIMITED N.O. INIT. (SECURITY MONITORING EOLR)	4090-9001 IDNET IAM
4081-9017	734-171	3.9K	ORG	WHT	RED	GLD	N/A	70V RMS CONSTANT SUPPLY	4100, 1260
4081-9018	734-183	10K	BRN	BLK	ORG	GLD	N/A	N.C. SECURITY MON. (S/P)	4100, 4100(1)
4081-9019	378-090	3.2K	GRY	RED	RED	GLD	N/A	N.O. SECURITY MON. (SERIES)	4100, 4100(1)
4081-9020	378-093	12K	BRN	RED	ORG	GLD	N/A	N.C. SECURITY MON. (S/P)	4100, 4100(1)

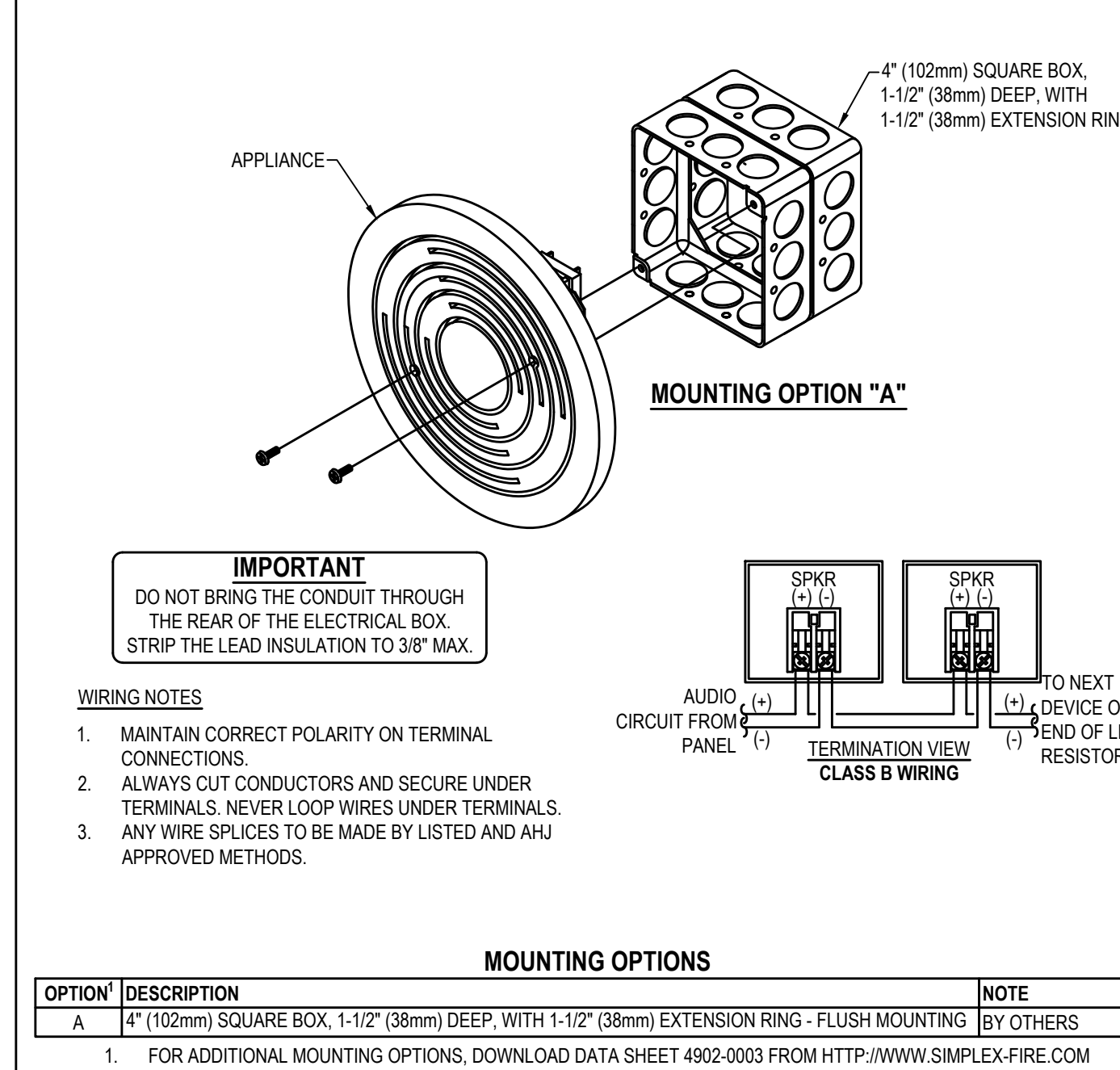
DIP SWITCH SETTINGS - INITIATING



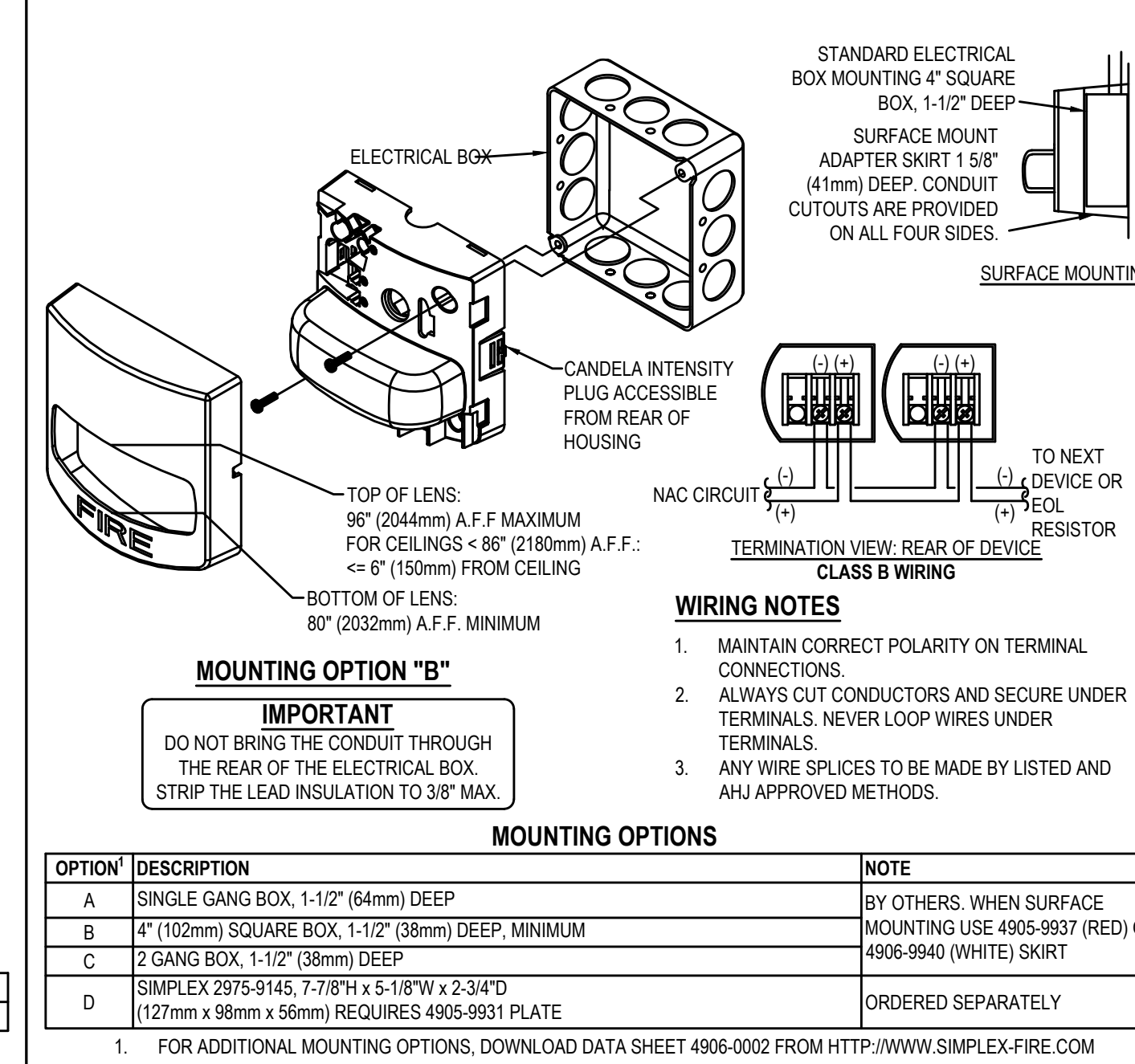
STANDARD SENSOR BASE



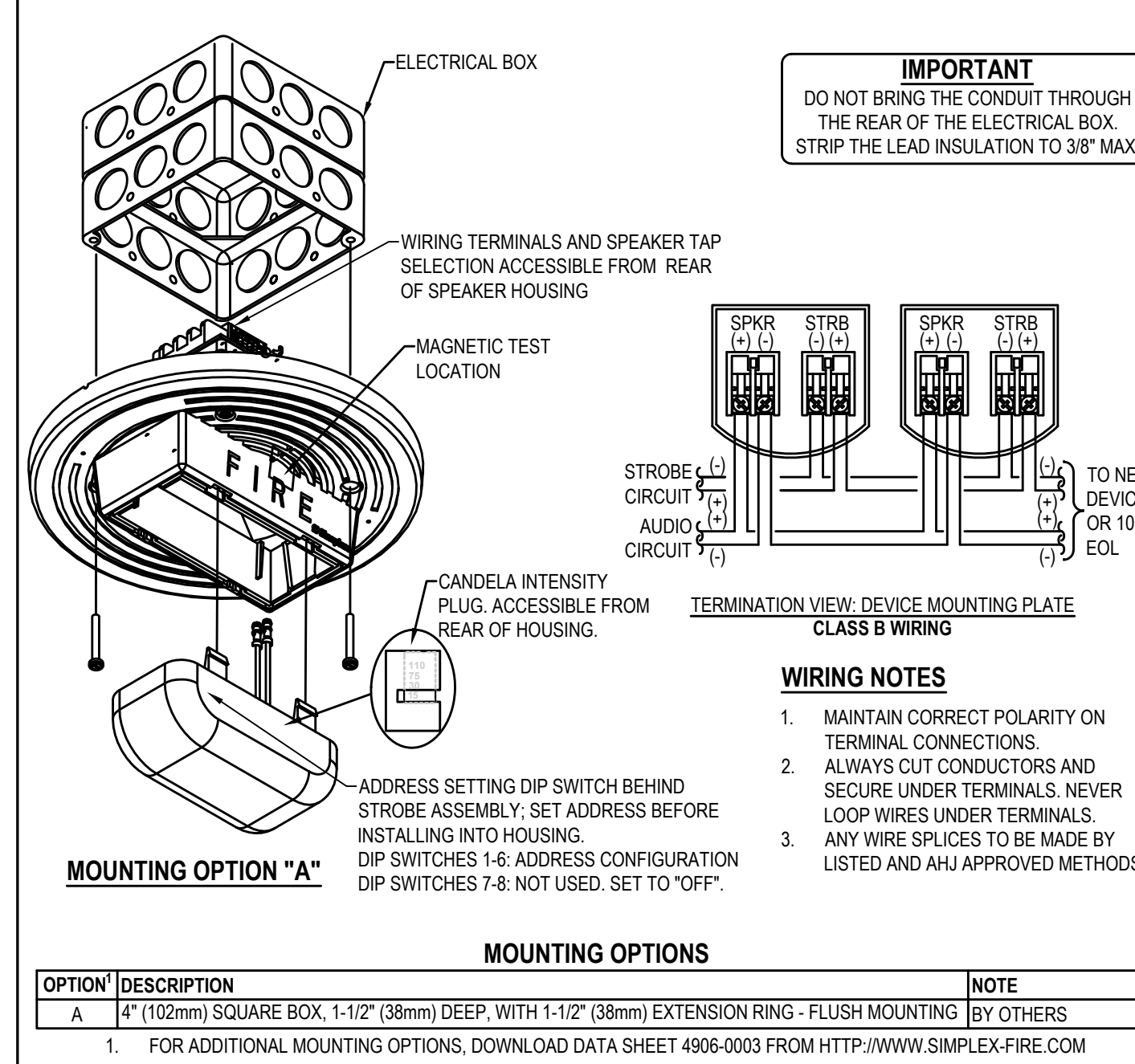
TrueAlert CONVENTIONAL APPLIANCES



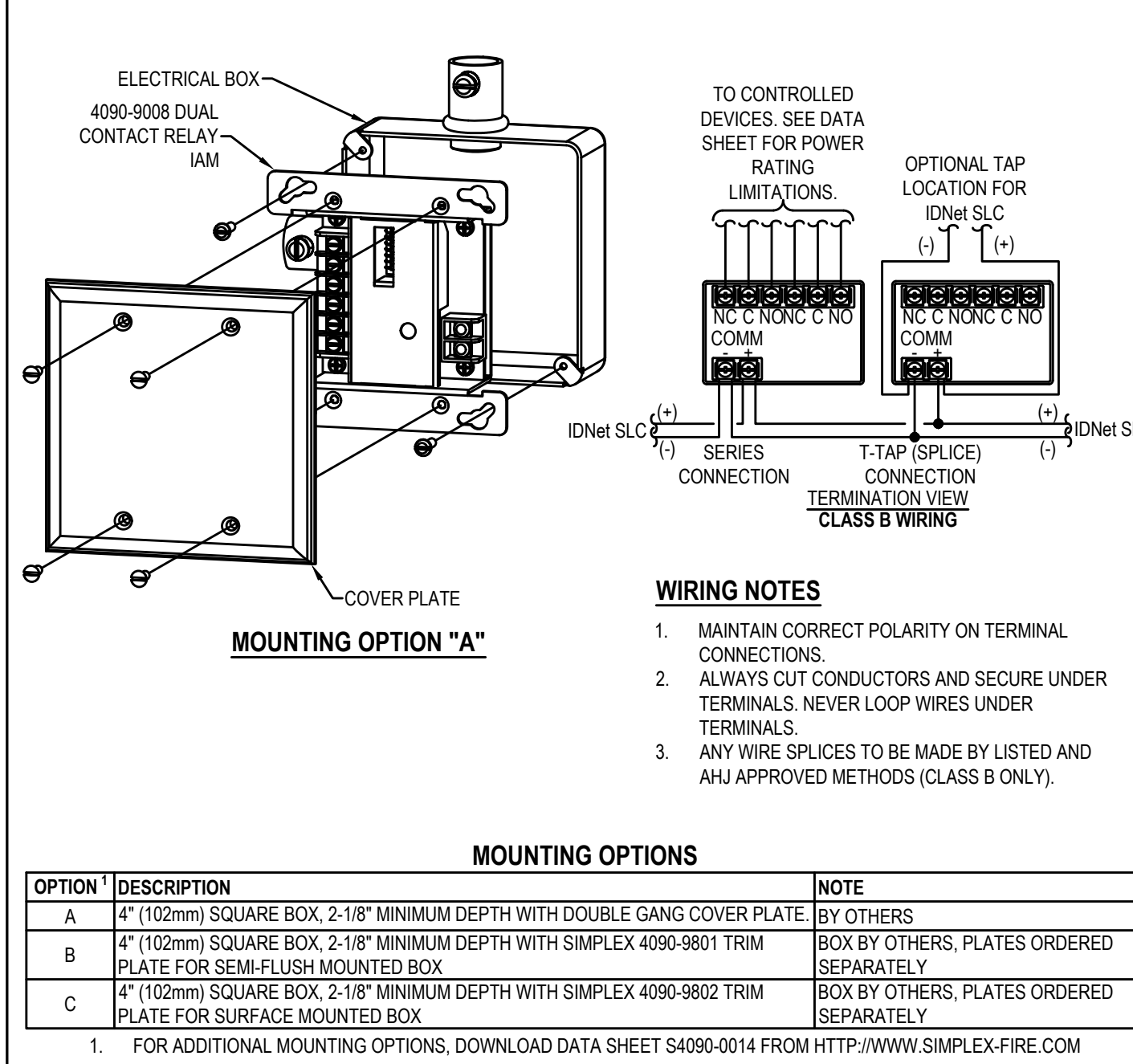
TrueAlert CONVENTIONAL APPLIANCES



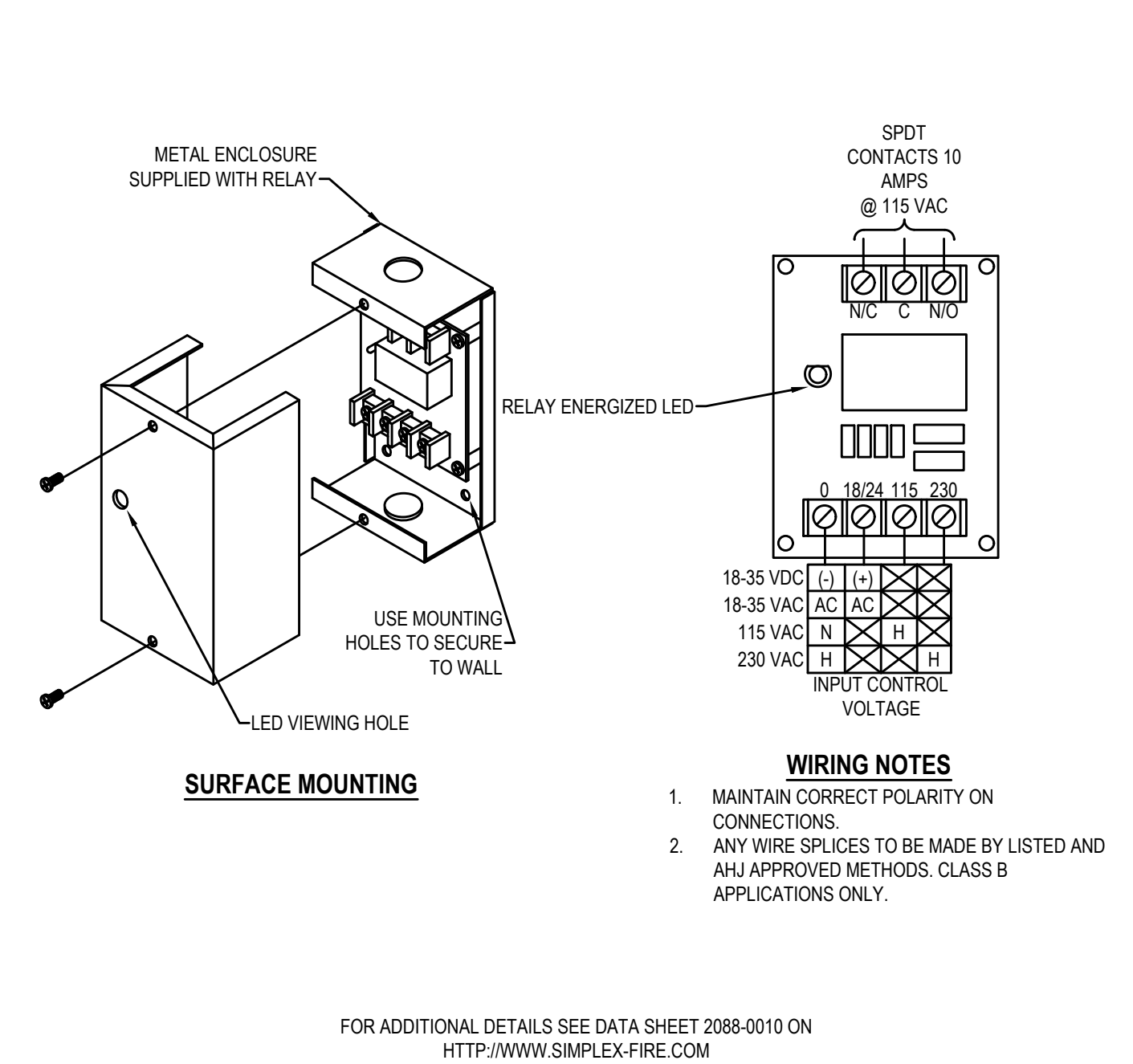
TrueAlert CONVENTIONAL APPLIANCES



DUAL CONTACT RELAY IAM



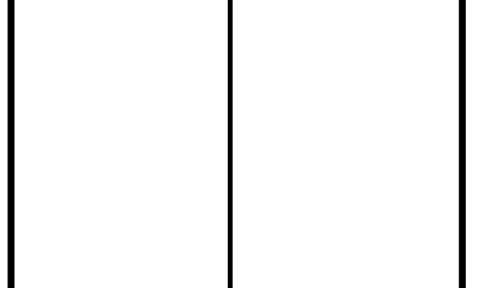
SPDT CONTROL RELAY



PROJECT #	ENGINEER	DRAWER	REVISION DESCRIPTION
619230901	JWB	SSS	GORDON EDU T.I.
619230901	JWB	MAM	GORDON EDU T.I. - CUSTOMER CMNT
619230901	MAM	MAM	GORDON EDU RECORD DRAWINGS
619230901	MAM	MAM	GORDON EDU RECORD DWGS. UPDATES
650284615	EOB	MAM	HYBRID O.R. #1, T.I.

NO.	DATE	DESCRIPTION
16	8/14/20	REVISED
17	2/22/21	REVISED
18	08/14/21	REVISED
18	09/02/21	REVISED
18	5/5/23	REVISED

DRAWINGS REVIEWED BY:
 Bill Beck, CET
 NICET #228884
 Fire Alarm Systems, Level III



WIRING NOTES

- MAINTAIN CORRECT POLARITY ON CONNECTIONS.
- ANY WIRE SPLICES TO BE MADE BY LISTED AND AHJ APPROVED METHODS. CLASS B APPLICATIONS ONLY.

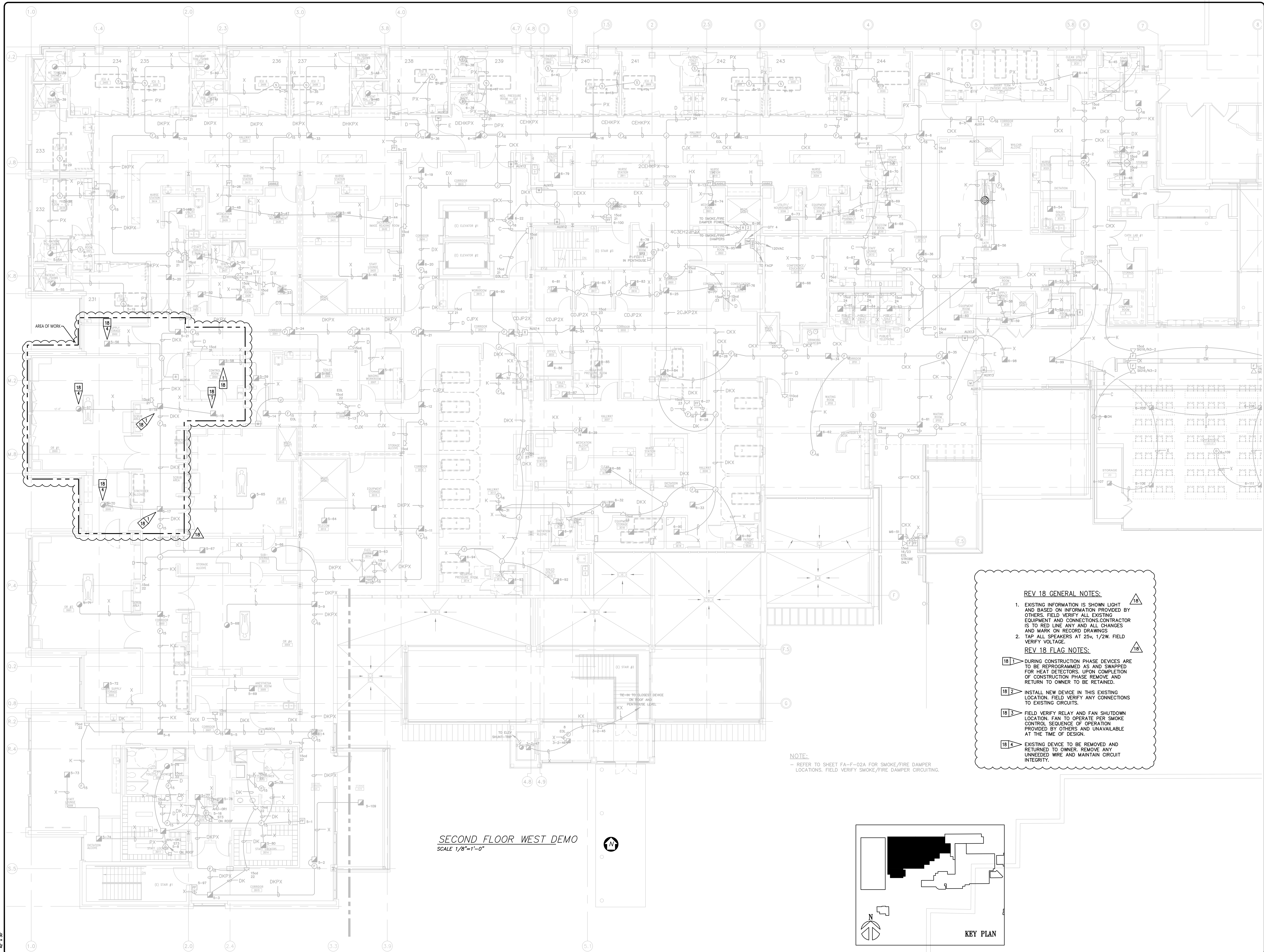
FOR ADDITIONAL DETAILS SEE DATA SHEET 2088-0010 FROM [HTTP://WWW.SIMPLEX-FIRE.COM](http://www.simplesx-fire.com)

FIRE ALARM SYSTEM
DETAIL SHEET
GOOD SAMARITAN HOSPITAL - WEST WING
 407 14TH AVENUE SOUTHEAST
 PUYALLUP, WA

APPROVED BY: K. CHUN
 DRAWN BY: JCP
 DATE: 3-1-2000
 PROJECT NUMBER: 459-990051

SHEET NUMBER: FA-DET-02

TYPICAL POINT TO POINT WIRING DIAGRAM
 SCALE: NONE



SECOND FLOOR WEST DEMO
SCALE 1/8"=1'-0"

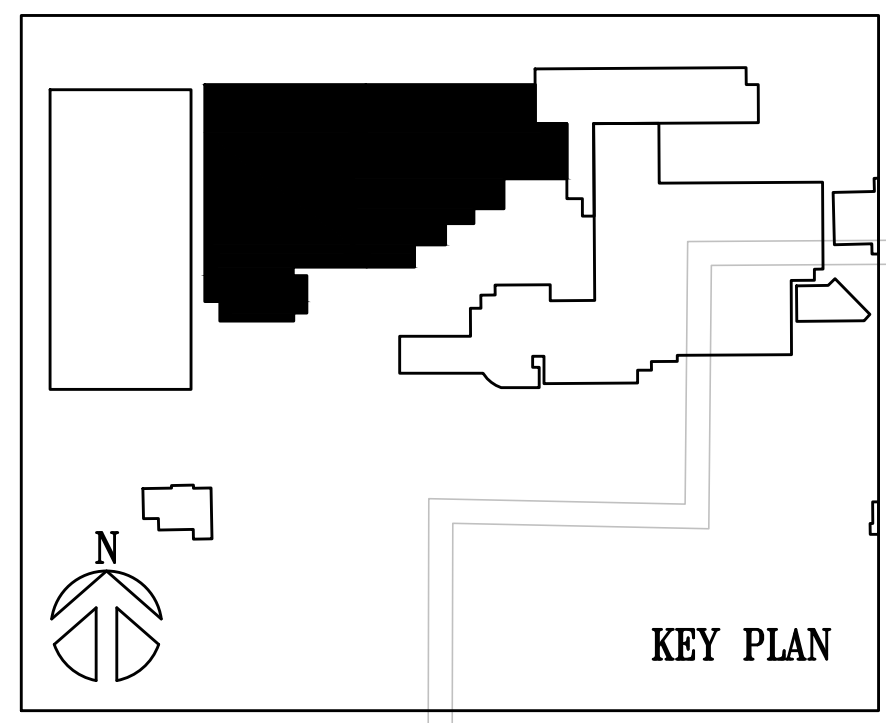
REV 18 GENERAL NOTES:

- EXISTING INFORMATION IS SHOWN LIGHT AND BASED ON INFORMATION PROVIDED BY OTHERS. FIELD VERIFY ALL EXISTING EQUIPMENT AND CONNECTIONS. CONTRACTOR IS TO RED LINE ANY AND ALL CHANGES AND MARK ON RECORD DRAWINGS.
- TAP ALL SPEAKERS AT 25V, 1/2W. FIELD VERIFY VOLTAGE.

REV 18 FLAG NOTES:

- 18 1** DURING CONSTRUCTION PHASE DEVICES ARE TO BE REPROGRAMMED AS AND SWAPPED FOR HEAT DETECTORS. UPON COMPLETION OF CONSTRUCTION PHASE REMOVE AND RETURN TO OWNER TO BE RETAINED.
- 18 2** INSTALL NEW DEVICE IN THIS EXISTING LOCATION. FIELD VERIFY ANY CONNECTIONS TO EXISTING CIRCUITS.
- 18 3** FIELD VERIFY RELAY AND FAN SHUTDOWN LOCATION. FAN TO OPERATE PER SMOKE CONTROL SEQUENCE OF OPERATION PROVIDED BY OTHERS AND UNAVAILABLE AT THE TIME OF DESIGN.
- 18 4** EXISTING DEVICE TO BE REMOVED AND RETURNED TO OWNER. REMOVE ANY UNNEEDED WIRE AND MAINTAIN CIRCUIT INTEGRITY.

NOTE:
- REFER TO SHEET FA-F-02A FOR SMOKE/FIRE DAMPER LOCATIONS. FIELD VERIFY SMOKE/FIRE DAMPER CIRCUITING.



Johnson Controls

12781 Gateway Drive
Tukwila, WA 98168
206-291-1400
SALES: 206-291-1400
SERVICE: 206-291-1400

PROJECT #	ENGINEER	DRAWER	REVISION DESCRIPTION	DATE	NO.
619230901	JWB	SSS	GORDON EDU T.I.	8/14/20	16
619230901	JWB	MAM	GORDON EDU T.I. - CUSTOMER CMNT	2/22/21	17
619230901	JWB	MAM	GORDON EDU RECORD DRAWINGS	06/14/21	
619230901	MAM	MAM	GORDON EDU RECORD DWGS. UPDATES	09/02/21	
650284615	EOB	MAM	HYBRID O.R. #1 T.I.	5/5/23	18

DRAWINGS REVIEWED BY:
Eric Beck, CET
NICET #226884
Fire Alarm Systems, Level III

**FIRE ALARM SYSTEM
SECOND FLOOR WEST DEMO PLAN**

GOOD SAMARITAN HOSPITAL - WEST WING
407 14TH AVENUE SOUTHEAST
PUYALLUP, WA

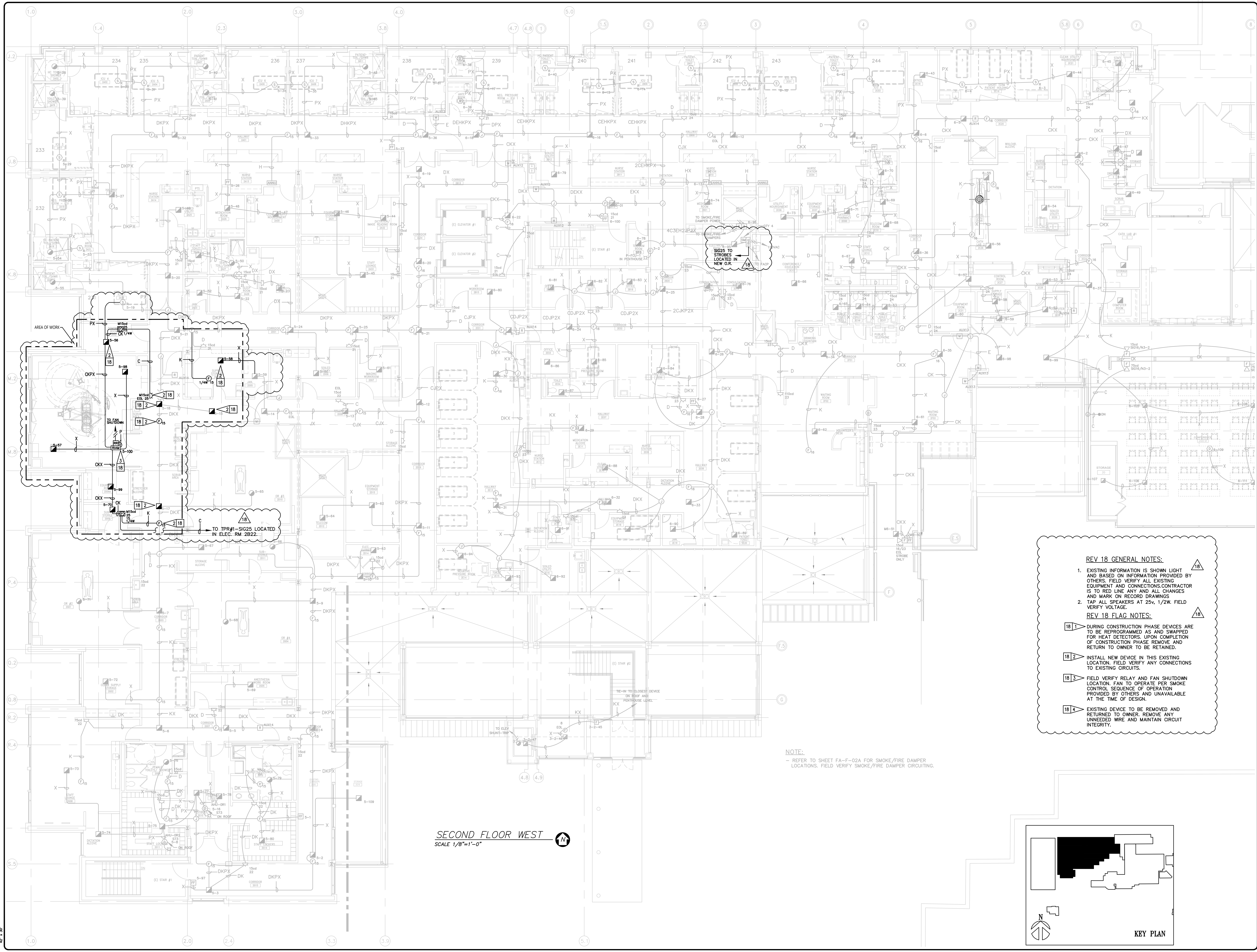
APPROVED BY:
K. CHUN

DRAWN BY:
JCP

DATE:
3-1-2000

PROJECT NUMBER:
459-990051

SHEET NUMBER:
FA-F-02W-D



SECOND FLOOR WEST
SCALE 1/8"=1'-0"

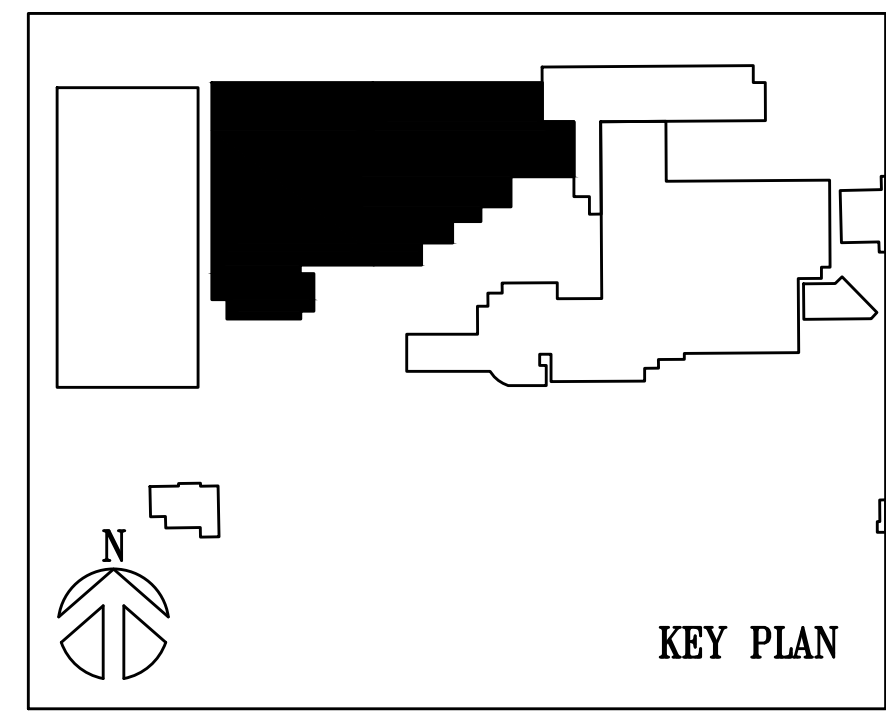
NOTE:
- REFER TO SHEET FA-F-02A FOR SMOKE/FIRE DAMPER LOCATIONS. FIELD VERIFY SMOKE/FIRE DAMPER CIRCUITING.

REV 18 GENERAL NOTES:

- EXISTING INFORMATION IS SHOWN LIGHT AND BASED ON INFORMATION PROVIDED BY OTHERS. FIELD VERIFY ALL EXISTING EQUIPMENT AND CONNECTIONS. CONTRACTOR IS TO RED LINE ANY AND ALL CHANGES AND MARK ON RECORD DRAWINGS.
- TAP ALL SPEAKERS AT 25V, 1/2W. FIELD VERIFY VOLTAGE.

REV 18 FLAG NOTES:

- 1 DURING CONSTRUCTION PHASE DEVICES ARE TO BE REPROGRAMMED AS AND SWAPPED FOR HEAT DETECTORS. UPON COMPLETION OF CONSTRUCTION PHASE REMOVE AND RETURN TO OWNER TO BE RETAINED.
- 2 INSTALL NEW DEVICE IN THIS EXISTING LOCATION. FIELD VERIFY ANY CONNECTIONS TO EXISTING CIRCUITS.
- 3 FIELD VERIFY RELAY AND FAN SHUTDOWN LOCATION. FAN TO OPERATE PER SMOKE CONTROL SEQUENCE OF OPERATION PROVIDED BY OTHERS AND UNAVAILABLE AT THE TIME OF DESIGN.
- 4 EXISTING DEVICE TO BE REMOVED AND RETURNED TO OWNER. REMOVE ANY UNNEEDED WIRE AND MAINTAIN CIRCUIT INTEGRITY.



PROJECT #	ENGINEER	DRAWER	REVISION DESCRIPTION	DATE	NO.
619230901	JWB	SSS	GORDON EDU T.I.	8/14/20	16
619230901	JWB	MAM	GORDON EDU T.I. - CUSTOMER CMNT	2/22/21	17
619230901		MAM	GORDON EDU RECORD DRAWINGS	06/14/21	
619230901		MAM	GORDON EDU RECORD DWGS. UPDATES	09/02/21	
650284615	EOB	MAM	HYBRID O.R. #1 T.I.	5/5/23	18

DRAWINGS REVIEWED BY:
SRS: SRS, GET
NICET #228884
Fire Alarm Systems, Level III

WORKING DRAWING NAME	FIRE ALARM SYSTEM SECOND FLOOR WEST PLAN
APPROVED BY:	K. CHUN
DRAWN BY:	JCP
DATE:	3-1-2000
PROJECT NUMBER:	459-990051
SHEET NUMBER:	FA-F-02W

GOOD SAMARITAN HOSPITAL - WEST WING
407 14TH AVENUE SOUTHEAST
PUYALLUP, WA

17281 Gateway Drive
Tukwila, WA 98168
206-291-1400
SALES:
SERVICE: