

Approximately: 240CY
Export & 240CY Import
& 2 rolls of mirafi.

All areas of
vegetation outside of
silt fencing are not to
be disturbed

Note: Gravel and all BMPs
will be removed at the end of
construction and site will be
stabilized

Temp fencing

Gravel fill

Silt
fencing

Elevation:
108ft

Storm Drain
Barrier

Parking
Entrance

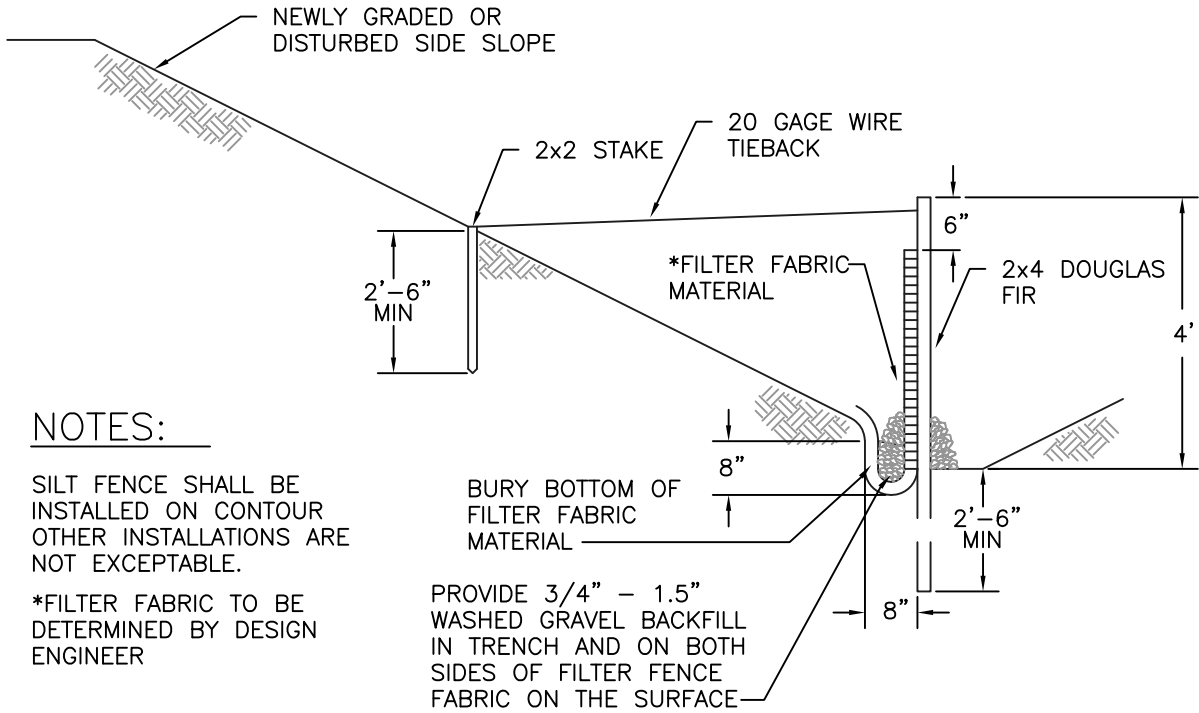
Elevation:
118ft





Storm Drain Protection

- 1. Storm drain protection, silt fencing to be implemented
- 2. Set up temp fencing
- 3. Clear, grade, and place gravel



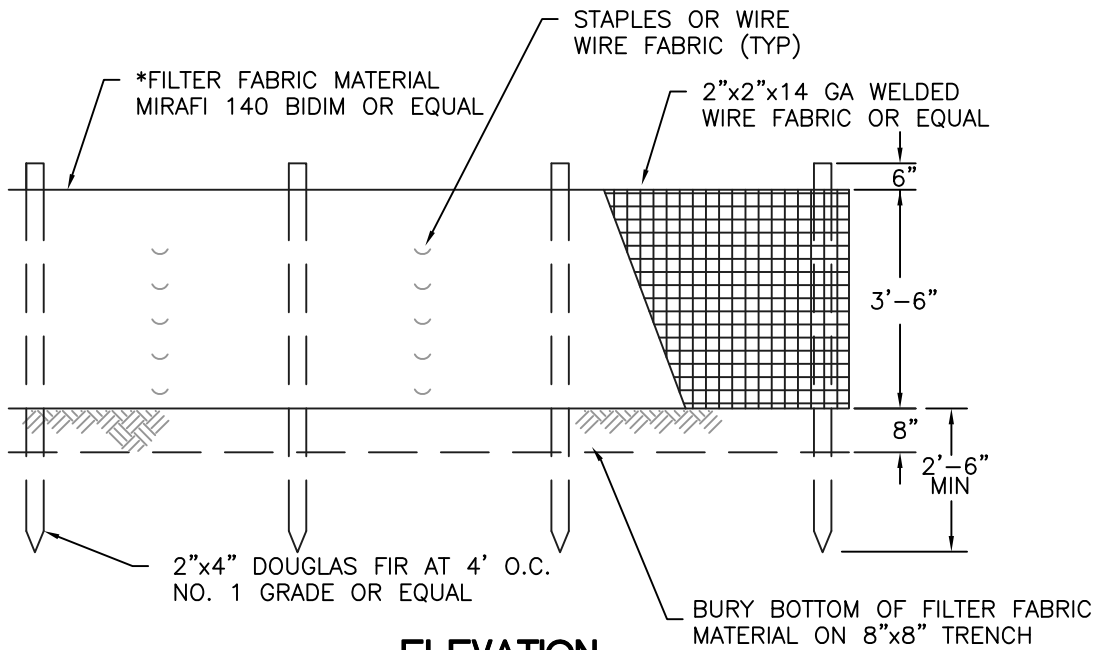
NOTES:

SILT FENCE SHALL BE INSTALLED ON CONTOUR OTHER INSTALLATIONS ARE NOT EXCEPTABLE.

*FILTER FABRIC TO BE DETERMINED BY DESIGN ENGINEER

PROVIDE 3/4" - 1.5" WASHED GRAVEL BACKFILL IN TRENCH AND ON BOTH SIDES OF FILTER FENCE FABRIC ON THE SURFACE

TYPICAL CROSS SECTION



ELEVATION



CITY OF PUYALLUP

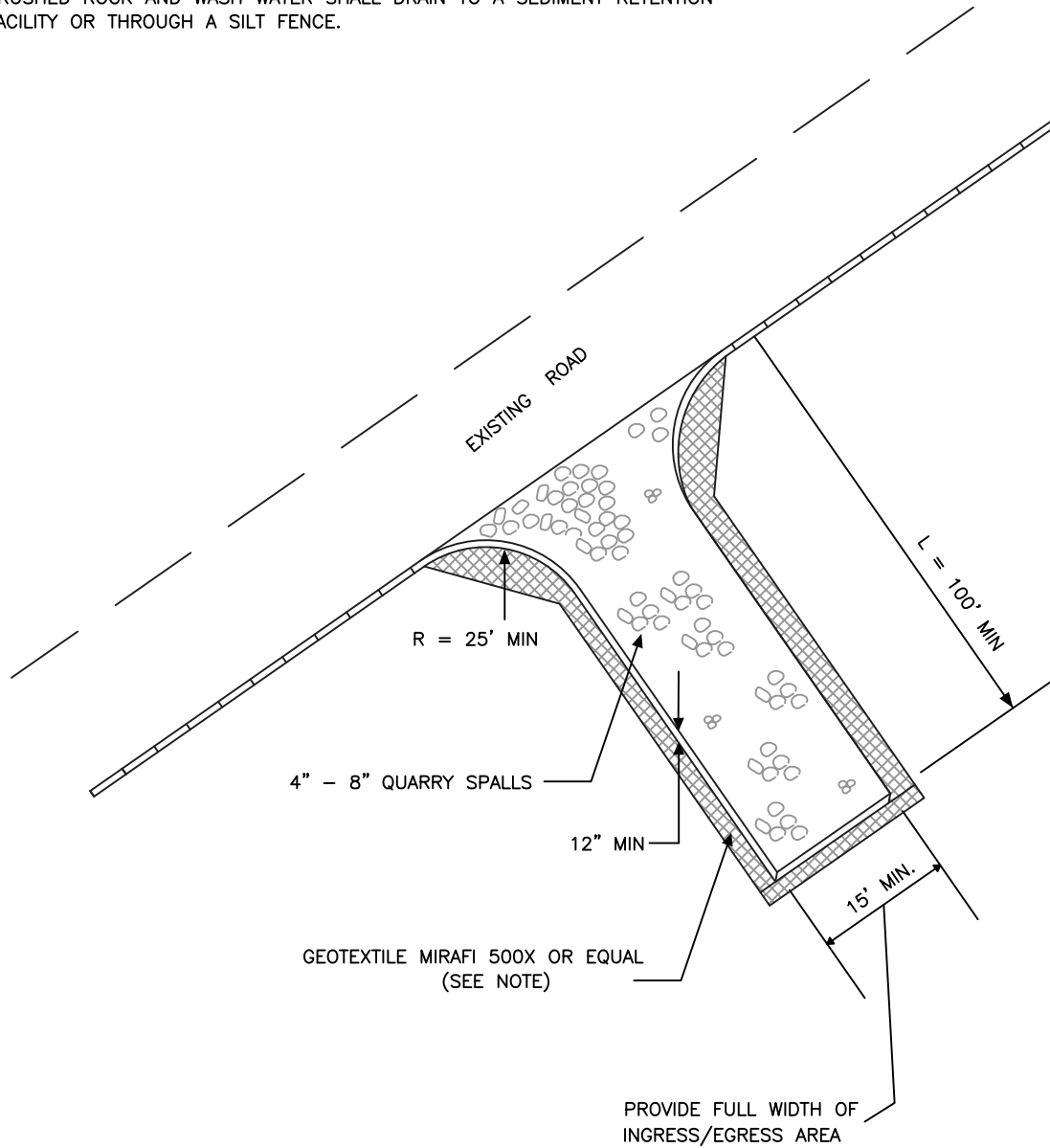
DEVELOPMENT ENGINEERING and PUBLIC WORKS DEPARTMENTS

SILTATION FENCE

<small>DRAWN BY</small> LINDA LANSING	<small>CHECKED BY</small> LINDA LIAN	<small>APPROVED BY</small> COLLEEN HARRIS	<small>REVISED BY</small> XXXX	<small>CITY STANDARD</small> 02.03.02
<small>FILE NAME</small> F:\DWG\COMMON\STDS\CITY\2009\02_SD\02.03.02	<small>DATE APPROVED</small> 09/01/1992	<small>DATE REVISED</small> 06/01/2003	<small>SCALE</small> NTS	

NOTE:

1. GEOTEXTILE MIRAFI 500 X OR APPROVED EQUAL SHALL BE PLACED UNDER THE ENTIRETY OF THE TEMPORARY ENTRANCE.
2. ADDITIONAL ROCK SHALL BE ADDED PERIODICALLY TO MAINTAIN PROPER FUNCTION OF THE PAD.
3. IF THE PAD DOES NOT ADEQUATELY REMOVE THE MUD FROM THE VEHICLE'S WHEELS, THE WHEELS SHALL BE HOSED OFF BEFORE THE VEHICLE ENTERS A PAVED STREET. THE WASHING SHALL BE DONE ON AN AREA COVERED WITH CRUSHED ROCK AND WASH WATER SHALL DRAIN TO A SEDIMENT RETENTION FACILITY OR THROUGH A SILT FENCE.



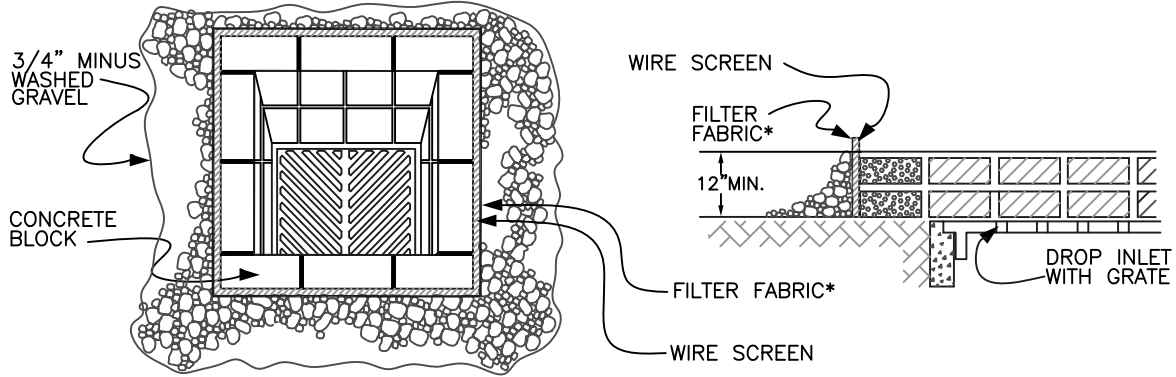
CITY OF PUYALLUP

DEVELOPMENT ENGINEERING and
PUBLIC WORKS DEPARTMENTS

TEMPORARY CONSTRUCTION ENTRANCE

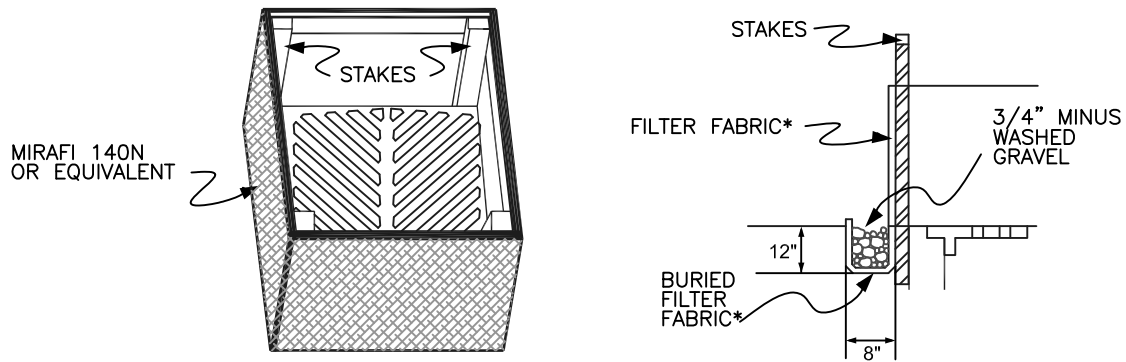
<small>DRAWN BY</small> JIM ERWIN-SVOBODA	<small>CHECKED BY</small> LINDA LIAN	<small>APPROVED BY</small> COLLEEN HARRIS	<small>REVISED BY</small> XXXX	<small>CITY STANDARD</small>
<small>FILE NAME</small> F:\DWG\COMMON\STDS\CITY\2009\05_GRD\05.01\05.01.01	<small>DATE APPROVED</small> 07/01/2009	<small>DATE REVISED</small> XX/XX/XX	<small>SCALE</small> 1:40	05.01.01

BLOCK AND GRAVEL FILTER



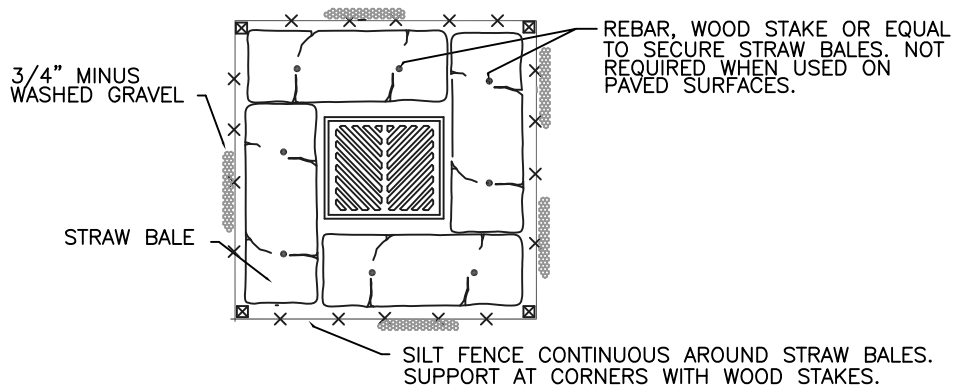
* MIRAFI 140-N OR EQUIVALENT

FILTER FABRIC FENCE



* MIRAFI 140-N OR EQUIVALENT

STRAW BALE BARRIER



**CITY OF
PUYALLUP**

DEVELOPMENT ENGINEERING and
PUBLIC WORKS DEPARTMENTS

STORM DRAIN BARRIERS

DRAWN BY
LINDA LANSING

CHECKED BY
LINDA LIAN

APPROVED BY
COLLEEN HARRIS

REVISED BY
XXXX

CITY
STANDARD

FILE NAME
F:\DWG\COMMON\STDS\CITY\2009\02_SD\02.03.05

DATE APPROVED
09/01/1992

DATE REVISED
06/01/2003

SCALE
NTS

02.03.05