

Approximately: 240CY  
Export & 240CY Import  
& 2 rolls of mirafi.

All areas of  
vegetation outside of  
silt fencing are not to  
be disturbed

Note: Gravel and all BMPs  
will be removed at the end of  
construction and site will be  
stabilized

Temp fencing

Gravel fill

Silt  
fencing

Elevation:  
108ft

Storm Drain  
Barrier

Parking  
Entrance

Elevation:  
118ft

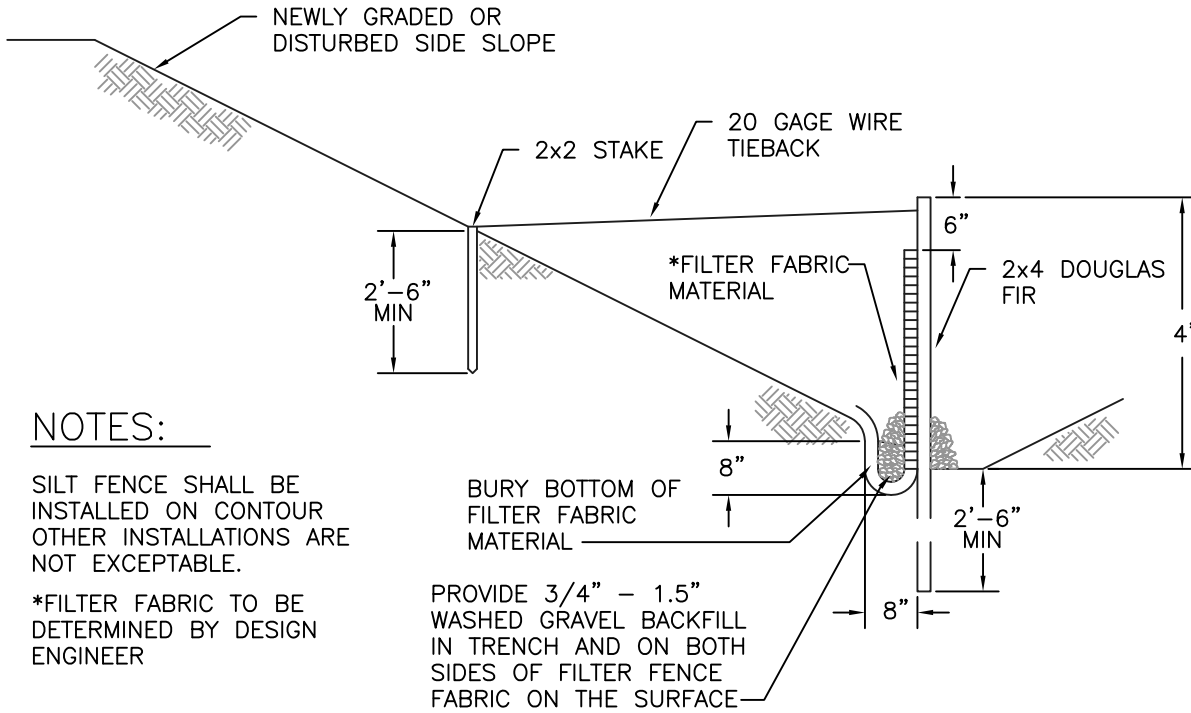




Storm Drain Protection

- 1. Storm drain protection, silt fencing to be implemented
- 2. Set up temp fencing
- 3. Clear, grade, and place gravel





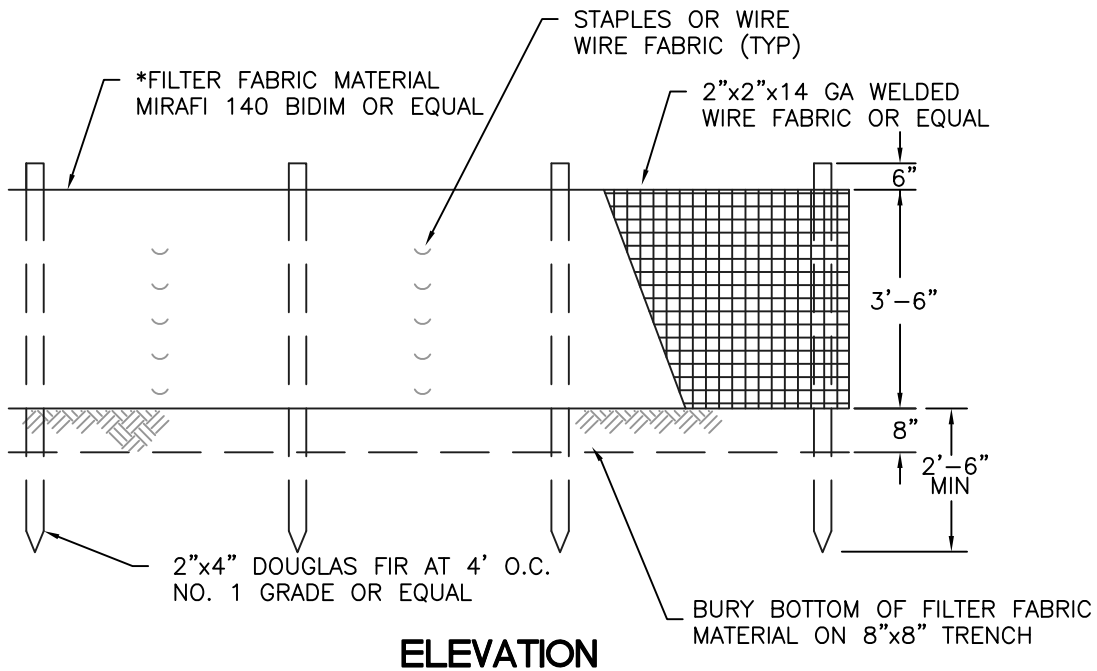
**NOTES:**

SILT FENCE SHALL BE INSTALLED ON CONTOUR OTHER INSTALLATIONS ARE NOT EXCEPTABLE.

\*FILTER FABRIC TO BE DETERMINED BY DESIGN ENGINEER

PROVIDE 3/4" - 1.5" WASHED GRAVEL BACKFILL IN TRENCH AND ON BOTH SIDES OF FILTER FENCE FABRIC ON THE SURFACE

**TYPICAL CROSS SECTION**



**ELEVATION**



**CITY OF PUYALLUP**

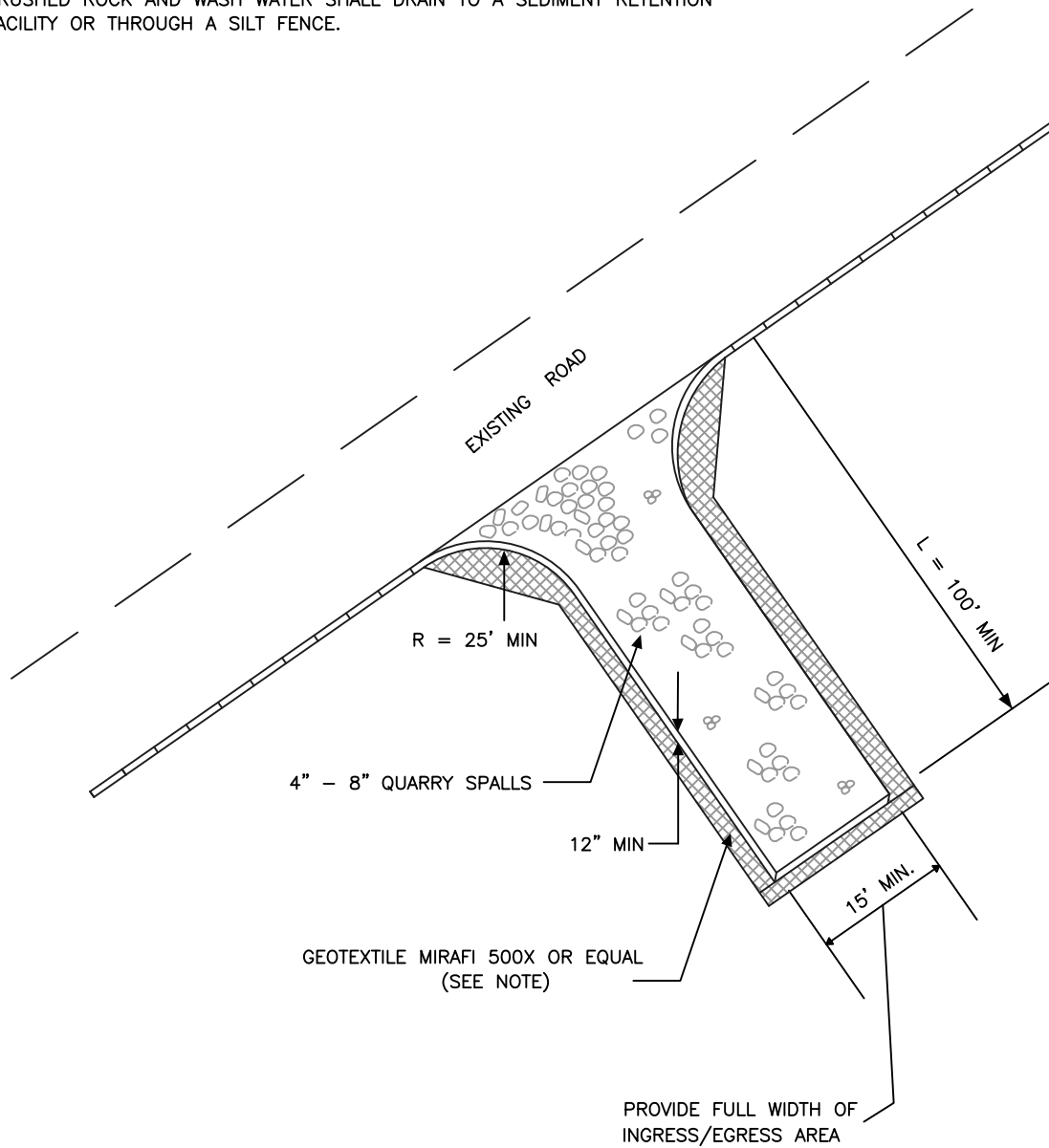
DEVELOPMENT ENGINEERING and PUBLIC WORKS DEPARTMENTS

**SILTATION FENCE**

<small>DRAWN BY</small> LINDA LANSING	<small>CHECKED BY</small> LINDA LIAN	<small>APPROVED BY</small> COLLEEN HARRIS	<small>REVISED BY</small> XXXX	<small>CITY STANDARD</small>  02.03.02
<small>FILE NAME</small> F:\DWG\COMMON\STDS\CITY\2009\02_SD\02.03.02	<small>DATE APPROVED</small> 09/01/1992	<small>DATE REVISED</small> 06/01/2003	<small>SCALE</small> NTS	

NOTE:

1. GEOTEXTILE MIRAFI 500 X OR APPROVED EQUAL SHALL BE PLACED UNDER THE ENTIRETY OF THE TEMPORARY ENTRANCE.
2. ADDITIONAL ROCK SHALL BE ADDED PERIODICALLY TO MAINTAIN PROPER FUNCTION OF THE PAD.
3. IF THE PAD DOES NOT ADEQUATELY REMOVE THE MUD FROM THE VEHICLE'S WHEELS, THE WHEELS SHALL BE HOSED OFF BEFORE THE VEHICLE ENTERS A PAVED STREET. THE WASHING SHALL BE DONE ON AN AREA COVERED WITH CRUSHED ROCK AND WASH WATER SHALL DRAIN TO A SEDIMENT RETENTION FACILITY OR THROUGH A SILT FENCE.



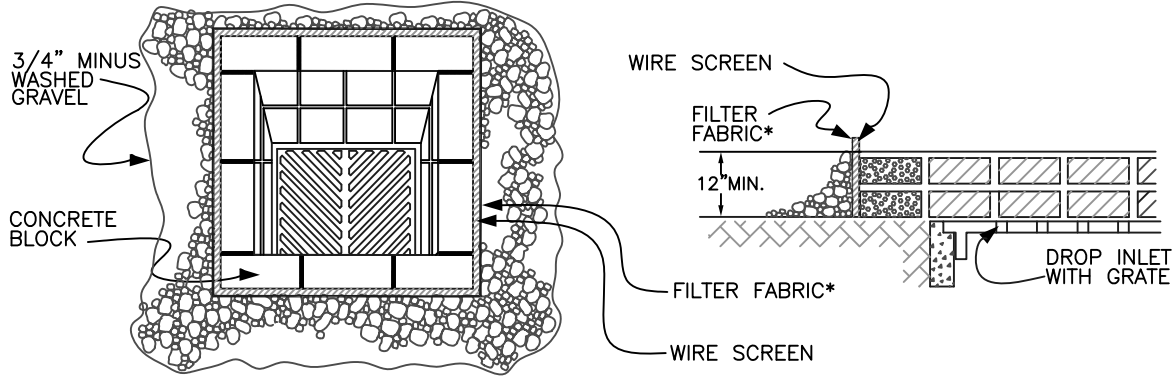
# CITY OF PUYALLUP

DEVELOPMENT ENGINEERING and  
PUBLIC WORKS DEPARTMENTS

## TEMPORARY CONSTRUCTION ENTRANCE

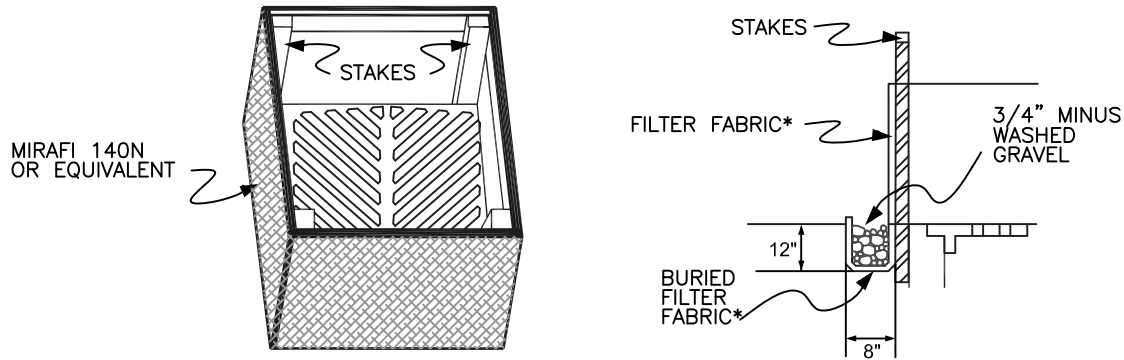
<small>DRAWN BY</small> JIM ERWIN-SVOBODA	<small>CHECKED BY</small> LINDA LIAN	<small>APPROVED BY</small> COLLEEN HARRIS	<small>REVISED BY</small> XXXX	<small>CITY STANDARD</small>
<small>FILE NAME</small> F:\DWG\COMMON\STDS\CITY\2009\05_GRD\05.01\05.01.01	<small>DATE APPROVED</small> 07/01/2009	<small>DATE REVISED</small> XX/XX/XX	<small>SCALE</small> 1:40	<b>05.01.01</b>

## BLOCK AND GRAVEL FILTER



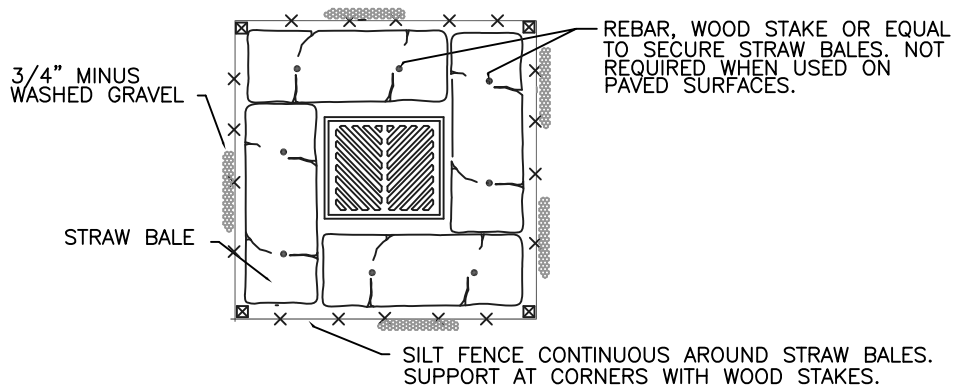
\* MIRAFI 140-N OR EQUIVALENT

## FILTER FABRIC FENCE



\* MIRAFI 140-N OR EQUIVALENT

## STRAW BALE BARRIER



**CITY OF  
PUYALLUP**

DEVELOPMENT ENGINEERING and  
PUBLIC WORKS DEPARTMENTS

## STORM DRAIN BARRIERS

DRAWN BY  
LINDA LANSING

CHECKED BY  
LINDA LIAN

APPROVED BY  
COLLEEN HARRIS

REVISED BY  
XXXX

CITY  
STANDARD

FILE NAME  
F:\DWG\COMMON\STDS\CITY\2009\02\_SD\02.03.05

DATE APPROVED  
09/01/1992

DATE REVISED  
06/01/2003

SCALE  
NTS

02.03.05