

**City of Puyallup  
Fire  
REVIEWED  
FOR  
COMPLIANCE**

THE APPROVED CONSTRUCTION PLANS AND ALL ENGINEERING MUST BE POSTED ON THE JOB AT ALL INSPECTIONS IN A VISIBLE AND READILY ACCESSIBLE LOCATION.

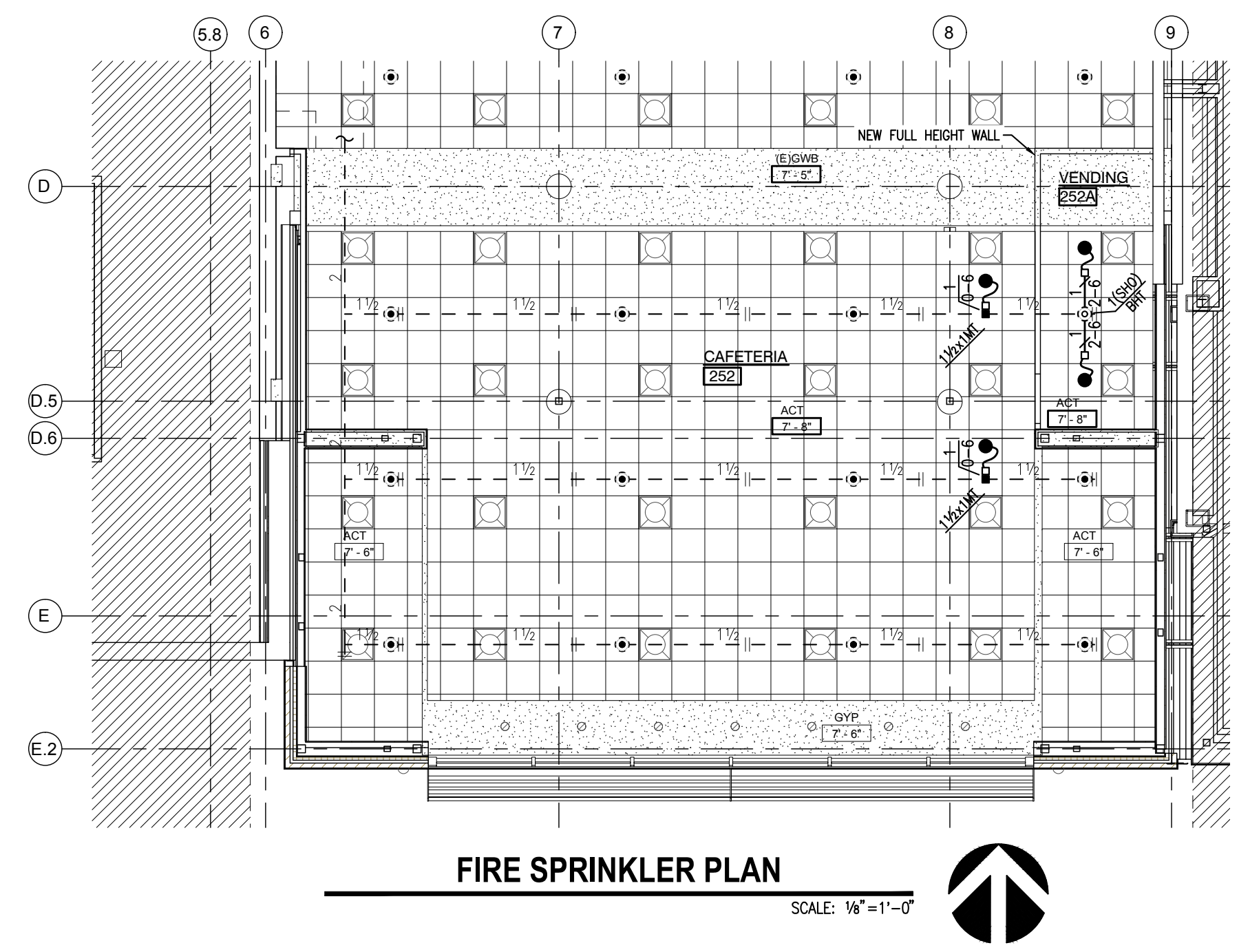
DDrake  
09/22/2023  
8:06:44 AM



Approval of submitted plans is not an approval of omissions or oversight by this office or noncompliance with any applicable regulations of local government. The contractor is responsible for making sure that the building complies with all applicable building codes and regulations of the local government.

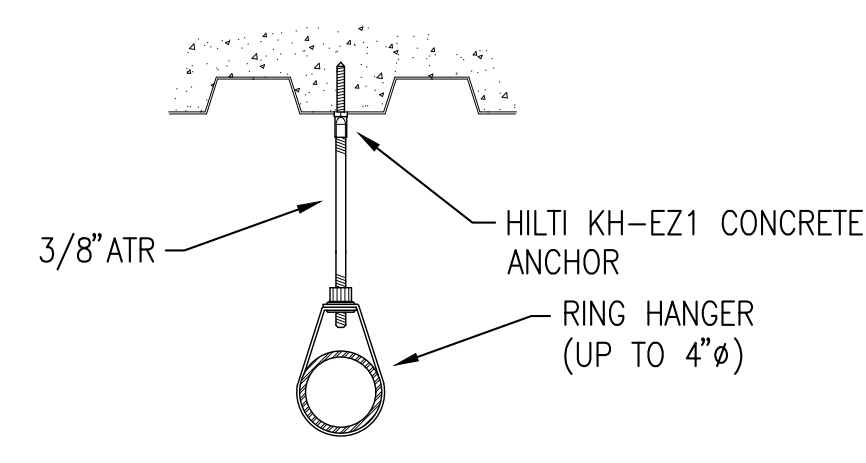
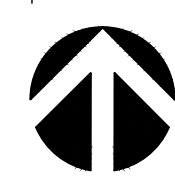
**City of Puyallup  
Development & Permitting Services  
ISSUED PERMIT**

|             |              |
|-------------|--------------|
| Building    | Planning     |
| Engineering | Public Works |
| Fire        | Traffic      |



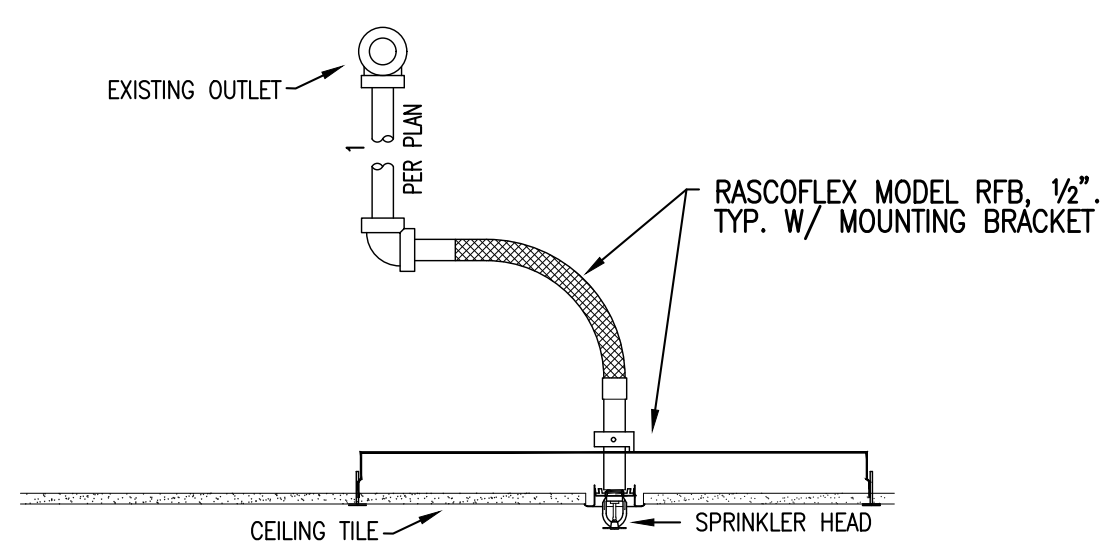
**FIRE SPRINKLER PLAN**

SCALE: 1/8"=1'-0"



**TYP. HANGER DETAIL**

SCALE: NONE



**TYP. FLEXHEAD DETAIL**

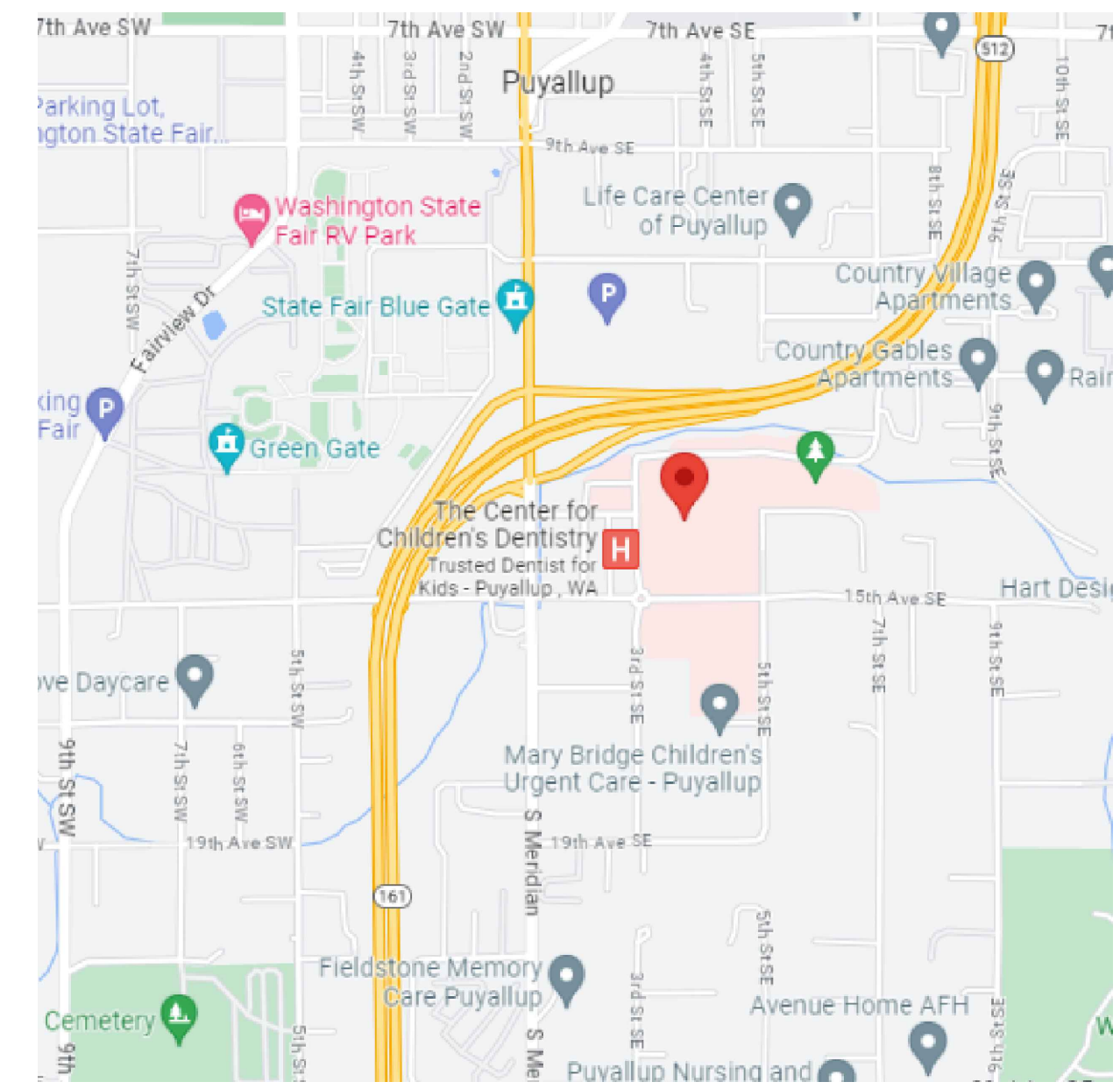
SCALE: NONE

**GENERAL NOTES**

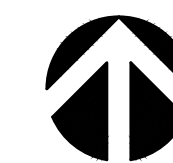
- DENOTES EXISTING FIRE SPRINKLER PIPING.
- - - - DENOTES NEW FIRE SPRINKLER PIPING.
- ⊙ DENOTES EXISTING FIRE SPRINKLER PENDENT TO REMAIN.
- ⊕ DENOTES EXISTING FIRE SPRINKLER TO RELOCATE.

**SCOPE OF WORK**

MODIFY EXISTING FIRE SPRINKLER SYSTEM FOR T.I. WALLS & CEILINGS.



**VICINITY MAP**



**HANGER LEGEND**

|   |                         |
|---|-------------------------|
| A | 1/2" U" HOOK            |
| B | COACH SCREW ROD         |
| D | BM. CLAMP W/ 1/2" STRAP |
| E | EYELET                  |
| F | HDIP                    |
| G | CEILING FLANGE          |
| H | SIDE BEAM BRACKET       |
| K | SHORT CLIP              |
| M | ALL THREAD ROD          |
| N | TOGGLE NUT              |
| P | POWDER DRIVEN STUD      |
| R | EXPANSION BOLT          |
| S | PIPE SPIKE              |
| T |                         |
| U |                         |
| V |                         |
| W |                         |
| X |                         |
| Y |                         |
| Z |                         |

**STATE CERTIFICATION**

8-21-23

**SPRINKLER LEGEND**

| SPRINKLER ORIFICE SIZES AND TYPE | UPRIGHT | PENDENT |
|----------------------------------|---------|---------|
| 1/2" 5/16" 3/8" 7/16" 1" SPRAY   | ⊙       | ⊙       |
| 3/4" 17/32" SPRAY                | ⊙       | ⊙       |
| 1/2" 3/8" 7/16" 1" SIDEWALL      | ⊙       | ⊙       |
| 1" 1/2" DRY TYPE                 | ⊙       | ⊙       |

**TEMP. RATING**

|      |   |
|------|---|
| 165' | ⊙ |
| 212' | ⊙ |
| 288' | ⊙ |
| 350' | ⊙ |
| 500' | ⊙ |

**SPRINKLER LEGEND**

|  |   |
|--|---|
| 2-WAY EARTHQUAKE BRACE                     | ⊙ |
| 4-WAY EARTHQUAKE BRACE                     | ⊙ |
| STRUCTURE TO CENTER LINE OF PIPE IN INCHES | ⊙ |

**FITTING LEGEND**

|     |                        |
|-----|------------------------|
| P   | PIPE-O-LET             |
| F   | PLAIN END FIT FITTING  |
| SN  | GROOVED SHAPED NIPPLE  |
| TSN | THREADED SHAPED NIPPLE |

**APPROVAL REQUIRED**

CITY OF PUYALLUP

**SPRINKLER HEADS USED**

| SYM | MANUF    | MODEL | TYPE        | THREAD SIZE | ORIFICE SIZE | HEAD FINISH | RESISTION FINISH | TEMP | QTY   |   |
|-----|----------|-------|-------------|-------------|--------------|-------------|------------------|------|-------|---|
| ●   | RELIABLE | F1FR  | QR RECESSED | 1/2"        | K-5.6        | CHROME      | CHROME           | 155' | 4     |   |
|     |          |       |             |             |              |             |                  |      | TOTAL | 4 |

QUALITY CONTROL BY \_\_\_\_\_ DATE \_\_\_\_\_  
APPROVED FOR FABRICATION BY \_\_\_\_\_ DATE \_\_\_\_\_

**GENERAL NOTES**

- ALL MATERIAL AND EQUIPMENT TO BE NEW AND UL LISTED OR FM APPROVED.
- PIPING DIMENSIONS ARE CENTER TO CENTER EXCEPT RISERS AND DIMENSIONS SHOWN THUSLY (1-6) WHICH ARE END TO END.
- EARTHQUAKE BRACING SHALL BE PROVIDED IN ACCORDANCE WITH NFPA PAMPHLET NO. 15, 2018, EDITION.
- PIPE HANGERS AND METHOD OF HANGING TO BE IN ACCORDANCE WITH NFPA PAMPHLET NO. 15, 2018, EDITION.
- PIPING SHALL BE IN ACCORDANCE WITH NFPA PAMPHLET NO. 15, 2018, EDITION.
- JOINING OF PIPE AND FITTINGS, THREADED & WELDED, SHALL BE IN ACCORDANCE WITH NFPA PAMPHLET NO. 15, 2018, EDITION.
- OWNER TO PROVIDE ADEQUATE HEAT IN AREAS PROTECTED BY A WET PIPE SPRINKLER SYSTEM TO PREVENT WATER IN PIPES FROM FREEZING.
- ALL WIRING OF ELECTRICAL DEVICES (IF REQUIRED) TO BE PROVIDED BY OTHERS.
- PAINTING OF PIPE & EQUIPMENT (IF REQUIRED) TO BE PROVIDED BY OTHERS.
- FLUSHING OF PIPE & EQUIPMENT (IF REQUIRED) TO BE PROVIDED BY OTHERS.

**DESIGN CRITERIA**

- DESIGN PER NFPA 13 (2016 EDITION).

**PIPE NOTES**

- ALL THREADED PIPE TO BE SCH. 40 BLK.

**REVISIONS**

| NO | DATE | BY | DESCRIPTION |
|----|------|----|-------------|
|    |      |    |             |
|    |      |    |             |

CONTRACT WITH:  
**BALFOUR BEATTY EQUIPMENT LLC**  
14235 SE 98TH COURT  
CLACKAMAS, OR 97015

PROJECT NAME:  
**AVANTI MARKET**  
401 14TH AVE SE  
PUYALLUP, WA 98372



|          |               |             |        |
|----------|---------------|-------------|--------|
| DESIGNER | TRAVIS MACKEY | SHEET       | 1 OF 1 |
| DATE     | 8/21/23       | <b>FP-1</b> |        |
| JOB NO.  | 12-23432      |             |        |