

| NEW | EXIST | SYMBOL | DESCRIPTION                                     | MANUFACTURER  | PART #                   | MOUNTING                          |
|-----|-------|--------|---|---------------|--------------------------|-----------------------------------|
| 0   | 1     | [FACP] | ADDRESSABLE FIRE ALARM CONTROL PANEL - EXISTING | FARENHYT      | IFP-1000                 | SELF CONTAINED                    |
| 0   | 1     | [ANN]  | LCD REMOTE ANNUNCIATOR - EXISTING               | FARENHYT      | RA-100                   |                                   |
| 0   | 2     | [AMP]  | 125 WATT DUAL CHANNEL AMPLIFIER - EXISTING      | FARENHYT      | EDS-125W                 |                                   |
| 0   | 1     | [BPSX] | INTELLIGENT BOOSTER POWER SUPPLY - EXISTING     | SILENT KNIGHT | 5895XL                   | SELF CONTAINED                    |
| 0   | 1     | [BPSX] | INTELLIGENT BOOSTER POWER SUPPLY - EXISTING     | FARENHYT      | RPS-1000                 | SELF CONTAINED                    |
| 0   | 7     | [BPSX] | INTELLIGENT BOOSTER POWER SUPPLY - EXISTING     | SILENT KNIGHT | 5496                     | SELF CONTAINED                    |
| 0   | 1     | [BPSX] | BOOSTER POWER SUPPLY - EXISTING                 | SILENT KNIGHT | 5495                     | SELF CONTAINED                    |
| 0   | 1     | [BPSX] | BOOSTER POWER SUPPLY - EXISTING                 | HONEYWELL     | SK-PS6                   | SELF CONTAINED                    |
| 1   | 0     | [BPS1] | BOOSTER POWER SUPPLY                            | POTTER        | PSN-106                  | SELF CONTAINED                    |
| 2   | 22    | [S]    | ADDRESSABLE SMOKE DETECTOR                      | FARENHYT      | IDP-PHOTO W/B3000-6 BASE | 4" SQ DEEP W/SINGLE GANG MUD RING |
| 21  | 0     | [S]    | ADDRESSABLE SMOKE DETECTOR                      | FARENHYT      | IDP-PHOTO W/B3000-6 BASE | 4" SQ DEEP W/SINGLE GANG MUD RING |
| 6   | 11    | [S]    | STROBE - WALL MOUNT                             | SYSTEM SENSOR | SWL                      | 4 SQ DEEP                         |
| 0   | 4     | [S]    | HORN/STROBE - WALL MOUNT                        | SYSTEM SENSOR | P2WL                     | 4 SQ DEEP                         |
| 1   | 0     | [S]    | STROBE - CEILING MOUNT                          | SYSTEM SENSOR | SCWL                     | 4 SQ DEEP                         |
| 1   | 0     | [S]    | SPEAKER/STROBE - WALL MOUNT                     | SYSTEM SENSOR | SPSWL                    | 4 SQ DEEP                         |
| 1   | 0     | [S]    | SPEAKER/STROBE - CEILING MOUNT                  | SYSTEM SENSOR | SPSCWL                   | 4 SQ DEEP                         |
| 0   | 0     | [EX]   | DENOTES EXISTING DEVICE                         |               |                          |                                   |
| 0   | 0     | [EOL]  | END OF LINE DEVICE                              |               |                          |                                   |

| GSMOB                                      |            |        |                   |              |                   |
|--|------------|--------|-------------------|--------------|-------------------|
| Farenhyt IFP-1000 Fire Alarm Control Panel |            |        |                   |              |                   |
| Current Load:                              | Quantity   | Amps   | Total             | Amperes      | Total             |
| Device Type                                |            |        |                   |              |                   |
| Main System Board                          | 1          | 0.215  | 0.215             | 0.385        | 0.385             |
| RA-100 Remote Annunciator                  | 1          | 0.020  | 0.020             | 0.025        | 0.025             |
| IDP-Photo                                  | 80         | 0.0003 | 0.024             | 0.0065       | 0.520             |
| IDP-Monitor                                | 23         | 0.0004 | 0.0092            | 0.0055       | 0.1265            |
| <b>Total Panel Loads:</b>                  |            |        | <b>0.268 Amps</b> |              | <b>1.057 Amps</b> |
| Standby Current Load:                      | 0.268 Amps |        | For 24 Hours =    | 6.437        | Amp-hours         |
| Alarm Current Load:                        | 1.057 Amps |        | For 5 Minutes =   | 0.089        | Amp-hours         |
|  |            |        | 20% Derating =    | 7.831        | Amp-hours         |
| <b>Total System Current Load:</b>          |            |        |                   | <b>7.831</b> | <b>Amp-hours</b>  |
| Battery Pair to be Used:                   | 12VDC      |        | Amp-hours         | 12AH         |                   |

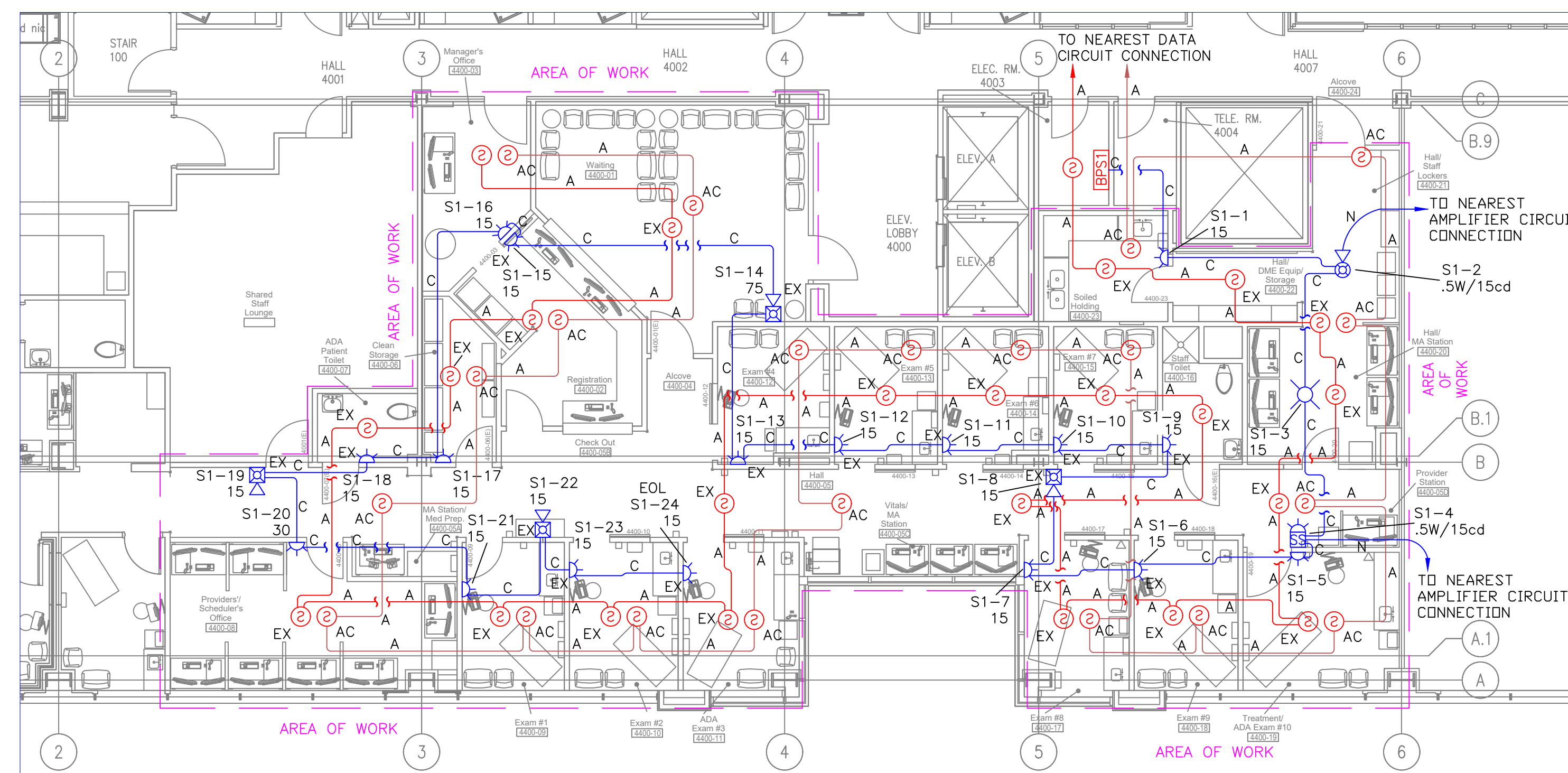
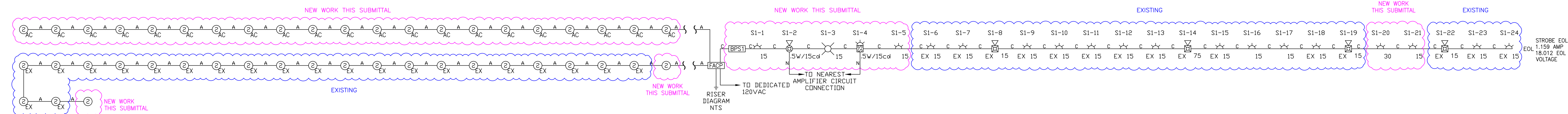
| GSMOB Suite 4400 TI                 |            |       |                   |              |                   |
|-------------------------------------|------------|-------|-------------------|--------------|-------------------|
| Potter PSN-106 Booster Power Supply |            |       |                   |              |                   |
| Current Load:                       | Quantity   | Amps  | Total             | Amperes      | Total             |
| Device Type                         |            |       |                   |              |                   |
| Main System Board                   | 1          | 0.075 | 0.075             | 0.075        | 0.075             |
| SWL Wall Strobe 15cd                | 16         | 0.020 | 0.320             | 0.043        | 0.688             |
| SWL Wall Strobe 30cd                | 1          |       |                   | 0.063        | 0.063             |
| P2WL Wall Strobe 15cd               | 3          |       |                   | 0.054        | 0.162             |
| P2WL Wall Strobe 75cd               | 1          |       |                   | 0.121        | 0.121             |
| PC2WL Ceiling Strobe 15cd           | 1          |       |                   | 0.071        | 0.071             |
| SPSWL Wall Speaker/Strobe 15cd      | 1          |       |                   | 0.043        | 0.043             |
| SPSCWL Ceiling Speaker/Strobe 15cd  | 1          |       |                   | 0.041        | 0.041             |
| <b>Total Panel Loads:</b>           |            |       | <b>0.075 Amps</b> |              | <b>1.264 Amps</b> |
| Standby Current Load:               | 0.075 Amps |       | For 24 Hours =    | 1.800        | Amp-hours         |
| Alarm Current Load:                 | 1.264 Amps |       | For 5 Minutes =   | 0.106        | Amp-hours         |
|                                     |            |       | 20% Derating =    | 2.287        | Amp-hours         |
| <b>Total System Current Load:</b>   |            |       |                   | <b>2.287</b> | <b>Amp-hours</b>  |
| Battery Pair to be Used:            | 12VDC      |       | Amp-hours         | 7AH          |                   |

| WIRE LEGEND       |                                  |
|-------------------|----------------------------------|
| A = 18-2 FPLP     | ADDRESSABLE INITIATING CKT       |
| B = 18-2 X 2 FPLP | ADDRESSABLE INITIATING CKT LOOP  |
| C = 14-2 FPLP     | INDICATING CKT                   |
| D = 14-2 X 2 FPLP | INDICATING CKT LOOP              |
| E = 18-2 FPLP     | CONVENTIONAL INITIATING CKT      |
| F = 18-2 X 2 FPLP | CONVENTIONAL INITIATING CKT LOOP |
| G = 14-2 FPLP     | 24VDC POWER CKT                  |
| H = 18-4 FPLP     | SBUS CKT                         |
| I =               |                                  |
| J = 18-4 FPLP     | ANNUNCIATOR CKT                  |
| K = 18-2 FPLP     | CONTROL CKT                      |
| L = 18-4 FPLP     | REMOTE TEST STATION CKT          |
| M = 14/2 FPLP     | SPEAKER CKT                      |
| N = 14/2 X 2 FPLP | SPEAKER CKT LOOP                 |

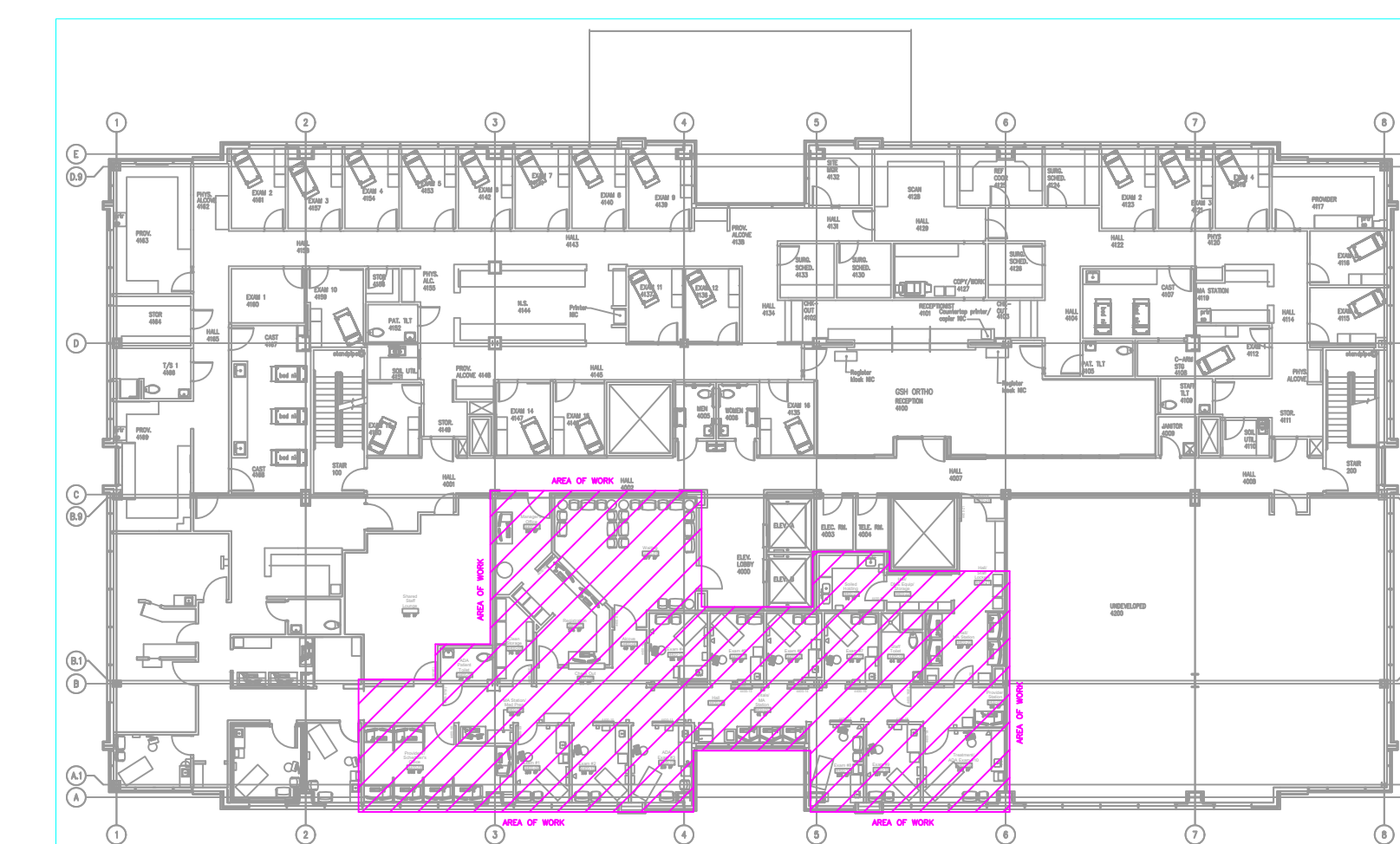
| Voltage Drop Chart  |         |                     |                   |       |              |             |
|---------------------|---------|---------------------|-------------------|-------|--------------|-------------|
| GSMOB Suite 4400 TI |         |                     |                   |       |              |             |
| Panel               | Circuit | Area                | Total Wire Length | Amps  | Voltage Drop | EOL Voltage |
| BPS #1              | S1      | GSMOB Suite 4400 TI | 646               | 1.159 | 2.388        | 18.012      |
| BPS #1              | S2      | Spare               | 0                 | 0.000 | 0.000        | 20.400      |
| BPS #1              | S3      | Spare               | 0                 | 0.000 | 0.000        | 20.400      |
| BPS #1              | S4      | Spare               | 0                 | 0.000 | 0.000        | 20.400      |
| BPS #1              | S5      | Spare               | 0                 | 0.000 | 0.000        | 20.400      |
| BPS #1              | S6      | Spare               | 0                 | 0.000 | 0.000        | 20.400      |

**SCOPE OF WORK:**  
 ADD 1EA BOOSTER POWER SUPPLY, 23EA SMOKE DETECTORS, 7EA STROBES, 2EA SPEAKER/STROBES TO THE EXISTING SYSTEM FOR THIS TENANT IMPROVEMENT AREA

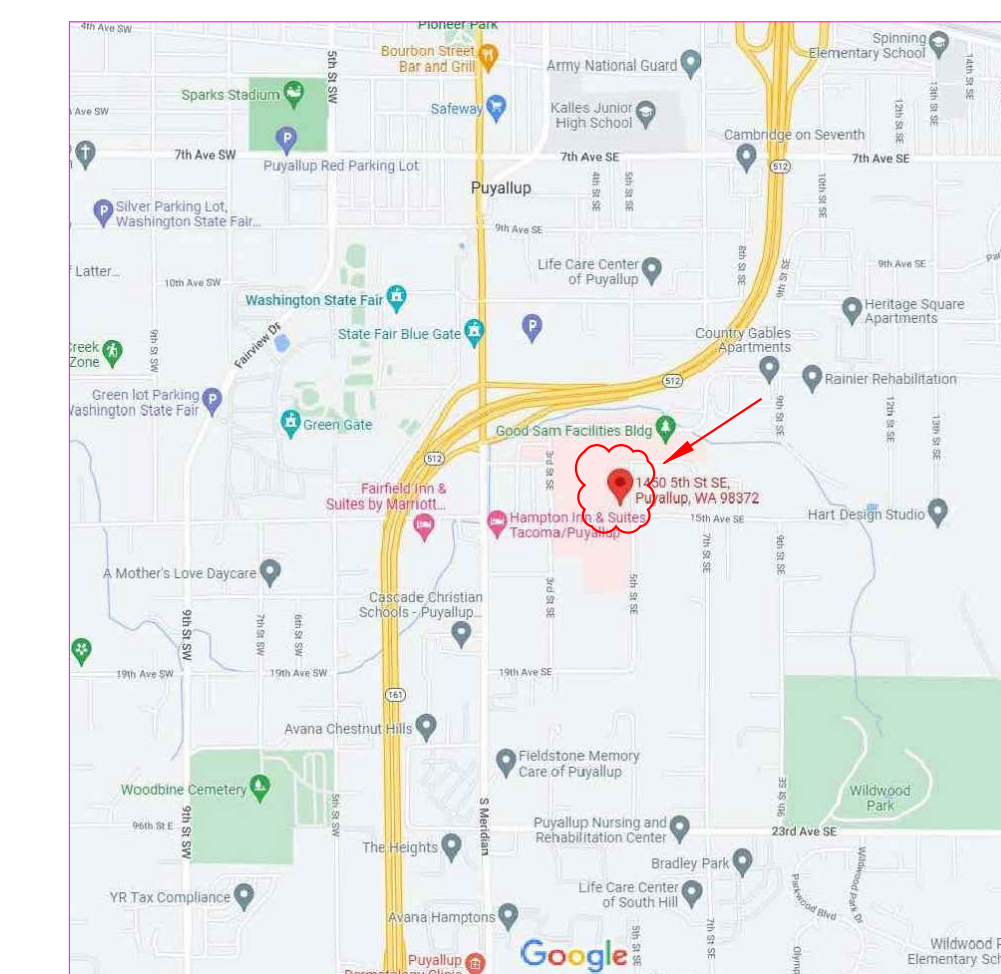
| SEQUENCE OF OPERATIONS                           | MANUAL PULL STATION | SMOKE DETECTION | ELEVATOR MACHINE ROOM/SHOFT SMOKE DET. | MAIN FLOOR ELEV. LOBBY SMOKE DET. | OTHER FLOOR ELEV. LOBBY SMOKE DET. | HEAT DETECTION | DUCT SMOKE DETECTION | WET FLOW SWITCH | DRY FLOW SWITCH | FLOW AIR | DRY TAMPER SWITCH | WET TAMPER SWITCH | POST INDICATOR VALVE | SYSTEM TROUBLE |
|--|---------------------|-----------------|--|-----------------------------------|------------------------------------|----------------|----------------------|-----------------|-----------------|----------|-------------------|-------------------|----------------------|----------------|
| ACTIVATION OF LOCAL ALARM AT FACP                | X                   | X               | X                                      | X                                 | X                                  | X              | X                    | X               | X               | X        | X                 | X                 | X                    | X              |
| INDICATION OF ALARM AT LCD ANNUNCIATOR           | X                   | X               | X                                      | X                                 | X                                  | X              | X                    | X               | X               | X        | X                 | X                 | X                    | X              |
| ACTIVATE ALL AUDIBLE & VISIBLE DEVICES           | X                   | X               | X                                      | X                                 | X                                  | X              | X                    | X               | X               | X        | X                 | X                 | X                    | X              |
| SHUT DOWN RESPECTIVE HVAC UNIT                   |                     |                 |  |                                   |                                    |                |                      | X               |                 |          |                   |                   |                      |                |
| INITIATE ELEV. RECALL TO MAIN FLOOR              |                     |                 |  |                                   |                                    |                |                      | X               |                 |          |                   |                   |                      |                |
| INITIATE ELEV. RECALL TO ALTERNATE FLOOR         |                     |                 |  |                                   |                                    |                |                      | X               |                 |          |                   |                   |                      |                |
| TRANSMIT ALARM SIGNAL TO CENTRAL STATION         | X                   | X               | X                                      | X                                 | X                                  | X              | X                    | X               | X               | X        | X                 | X                 | X                    | X              |
| TROUBLE/SUPV. INDICATION AT FACP                 |                     |                 |  |                                   |                                    |                |                      | X               | X               | X        | X                 | X                 | X                    | X              |
| TROUBLE/SUPV. INDICATION AT LCD ANNUNCIATOR      |                     |                 |  |                                   |                                    |                |                      | X               | X               | X        | X                 | X                 | X                    | X              |
| TRANSMIT TROUBLE/SUPV. SIGNAL TO CENTRAL STATION |                     |                 |  |                                   |                                    |                |                      | X               | X               | X        | X                 | X                 | X                    | X              |



**FIRE ALARM FLOOR PLAN**  
 SCALE: 1/8"=1'-0"



**SITE PLAN**  
 SCALE: NTS



**SITE MAP**  
 SCALE: NTS



**FIRE ALARM SYSTEM**  
**MULTICARE GSMOB**  
**SUITE 4400 CLINIC TENANT IMPROVEMENT**  
**1450 - 5TH STREET SE**  
**PUYALLUP, WASHINGTON 98372**

| REV. | DATE     | DESCRIPTION     |
|------|----------|-----------------|
| 1    | 10/25/23 | PERMIT DRAWINGS |

PROJ. MGR.: Bill Huggins  
 DRAFTER: HEV

FA-1  
 SHEET NO.  
 1 OF 1