

NEW	EXIST	SYMBOL	DESCRIPTION	MANUFACTURER	PART #	MOUNTING
0	1	[FACP]	ADDRESSABLE FIRE ALARM CONTROL PANEL - EXISTING	FARENHYT	IFP-1000	SELF CONTAINED
0	1	[ANN]	LCD REMOTE ANNUNCIATOR - EXISTING	FARENHYT	RA-100	
0	2	[AMP]	125 WATT DUAL CHANNEL AMPLIFIER - EXISTING	FARENHYT	EDS-125W	
0	1	[BPSX]	INTELLIGENT BOOSTER POWER SUPPLY - EXISTING	SILENT KNIGHT	5895XL	SELF CONTAINED
0	1	[BPSX]	INTELLIGENT BOOSTER POWER SUPPLY - EXISTING	FARENHYT	RPS-1000	SELF CONTAINED
0	7	[BPSX]	INTELLIGENT BOOSTER POWER SUPPLY - EXISTING	SILENT KNIGHT	5496	SELF CONTAINED
0	1	[BPSX]	BOOSTER POWER SUPPLY - EXISTING	SILENT KNIGHT	5495	SELF CONTAINED
0	1	[BPSX]	BOOSTER POWER SUPPLY - EXISTING	HONEYWELL	SK-PS6	SELF CONTAINED
1	0	[BPS1]	BOOSTER POWER SUPPLY	POTTER	PSN-106	SELF CONTAINED
2	22	[S]	ADDRESSABLE SMOKE DETECTOR	FARENHYT	IDP-PHOTO W/B3000-6 BASE	4" SQ DEEP W/SINGLE GANG MUD RING
21	0	[S]	ADDRESSABLE SMOKE DETECTOR	FARENHYT	IDP-PHOTO W/B3000-6 BASE	4" SQ DEEP W/SINGLE GANG MUD RING
6	11	[S]	STROBE - WALL MOUNT	SYSTEM SENSOR	SWL	4 SQ DEEP
0	4	[S]	HORN/STROBE - WALL MOUNT	SYSTEM SENSOR	P2WL	4 SQ DEEP
1	0	[S]	STROBE - CEILING MOUNT	SYSTEM SENSOR	SCWL	4 SQ DEEP
1	0	[S]	SPEAKER/STROBE - WALL MOUNT	SYSTEM SENSOR	SPSWL	4 SQ DEEP
1	0	[S]	SPEAKER/STROBE - CEILING MOUNT	SYSTEM SENSOR	SPSCWL	4 SQ DEEP
		EX	DENOTES EXISTING DEVICE			
		E.D.L	END OF LINE DEVICE			

GSMOB					
Farenhyt IFP-1000 Fire Alarm Control Panel					
Current Load:	Quantity	Amps	Total	Alarm:	Total
Device Type					
Main System Board	1	0.215	0.215	0.385	0.385
RA-100 Remote Annunciator	1	0.020	0.020	0.025	0.025
IDP-Photo	60	0.0033	0.024	0.065	0.520
IDP-Monitor	23	0.0004	0.0092	0.0055	0.1265
Total Panel Loads:			0.268 Amps		1.057 Amps
Standby Current Load:	0.268 Amps		For 24 Hours =	6.437	Amp-hours
Alarm Current Load:	1.057 Amps		For 5 Minutes =	0.089	Amp-hours
			20% Derating =	7.831	Amp-hours
Total System Current Load:				7.831	Amp-hours
Battery Pair to be Used:	12VDC		Amp-hours	12AH	

Voltage Drop Chart						
GSMOB Suite 4400 TI						
Panel	Circuit	Area	Total Wire Length	Amps	Voltage Drop	EOL Voltage
BPS #1	S1	GSMOB Suite 4400 TI	646	1.159	2.388	18.012
BPS #1	S2	Spare	0	0.000	0.000	20.400
BPS #1	S3	Spare	0	0.000	0.000	20.400
BPS #1	S4	Spare	0	0.000	0.000	20.400
BPS #1	S5	Spare	0	0.000	0.000	20.400
BPS #1	S6	Spare	0	0.000	0.000	20.400

GSMOB Suite 4400 TI					
Potter PSN-106 Booster Power Supply					
Current Load:	Quantity	Amps	Total	Alarm:	Total
Device Type					
Main System Board	1	0.075	0.075	0.075	0.075
SWL Wall Strobe 15cd	16	0.020	0.020	0.043	0.688
SWL Wall Strobe 30cd	1			0.063	0.063
P2WL Wall Strobe 15cd	3			0.054	0.162
P2WL Wall Strobe 75cd	1			0.121	0.121
PC2WL Ceiling Strobe 15cd	1			0.071	0.071
SPSWL Wall Speaker/Strobe 15cd	1			0.043	0.043
SPSCWL Ceiling Speaker/Strobe 15cd	1			0.041	0.041
Total Panel Loads:			0.075 Amps		1.264 Amps
Standby Current Load:	0.075 Amps		For 24 Hours =	1.800	Amp-hours
Alarm Current Load:	1.264 Amps		For 5 Minutes =	0.106	Amp-hours
			20% Derating =	2.287	Amp-hours
Total System Current Load:				2.287	Amp-hours
Battery Pair to be Used:	12VDC		Amp-hours	7AH	

WIRE LEGEND	
A = 18-2 FPLP	ADDRESSABLE INITIATING CKT
B = 18-2 X 2 FPLP	ADDRESSABLE INITIATING CKT LOOP
C = 14-2 FPLP	INDICATING CKT
D = 14-2 X 2 FPLP	INDICATING CKT LOOP
E = 18-2 FPLP	CONVENTIONAL INITIATING CKT
F = 18-2 X 2 FPLP	CONVENTIONAL INITIATING CKT LOOP
G = 14-2 FPLP	24VDC POWER CKT
H = 18-4 FPLP	SBUS CKT
I =	
J = 18-4 FPLP	ANNUNCIATOR CKT
K = 18-2 FPLP	CONTROL CKT
L = 18-4 FPLP	REMOTE TEST STATION CKT
M = 14/2 FPLP	SPEAKER CKT
N = 14/2 X 2 FPLP	SPEAKER CKT LOOP

City of Puyallup
Development & Permitting Services
ISSUED PERMIT

Building Planning
Engineering Public Works
Fire Traffic

City of Puyallup
Fire
REVIEWED FOR COMPLIANCE

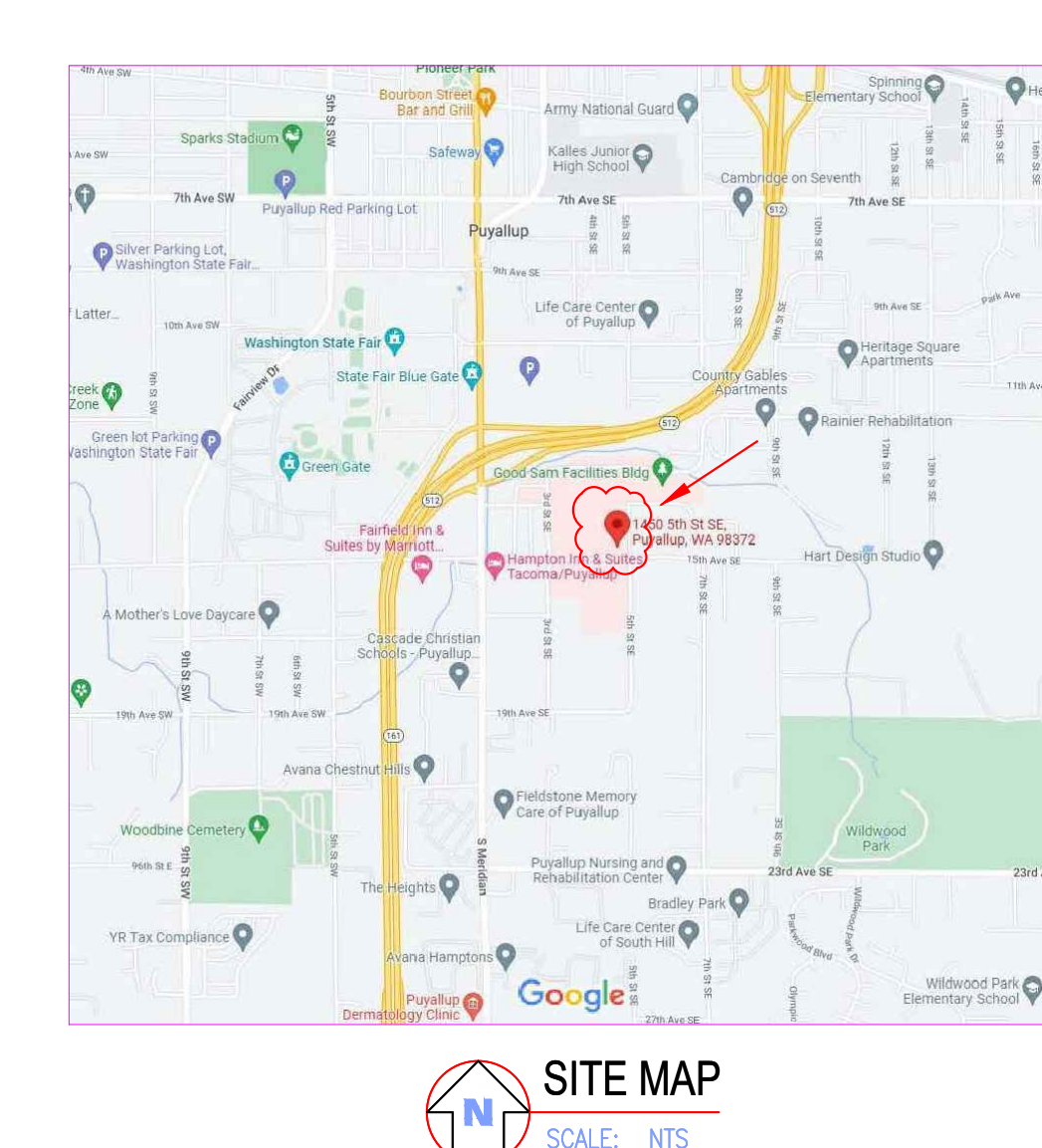
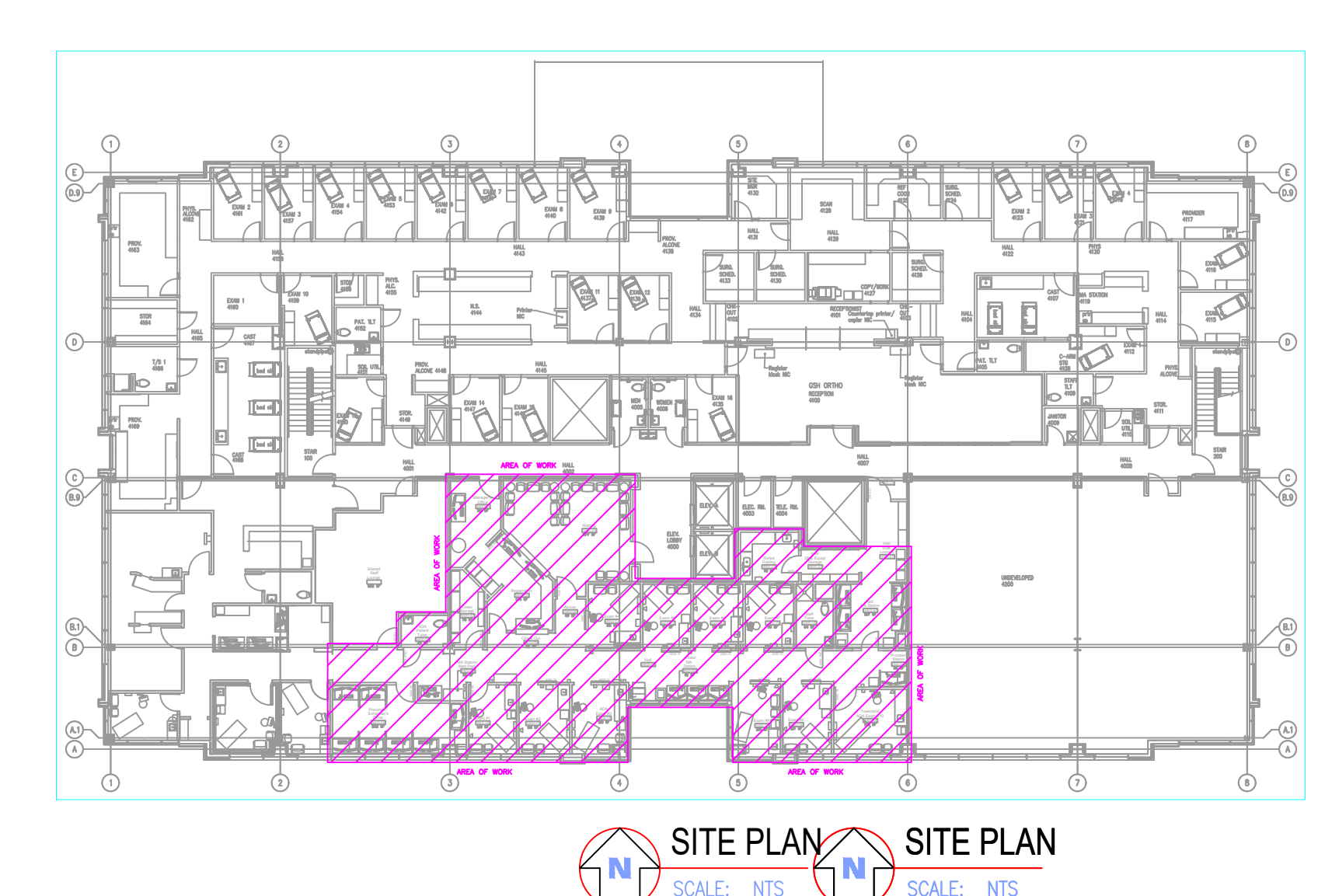
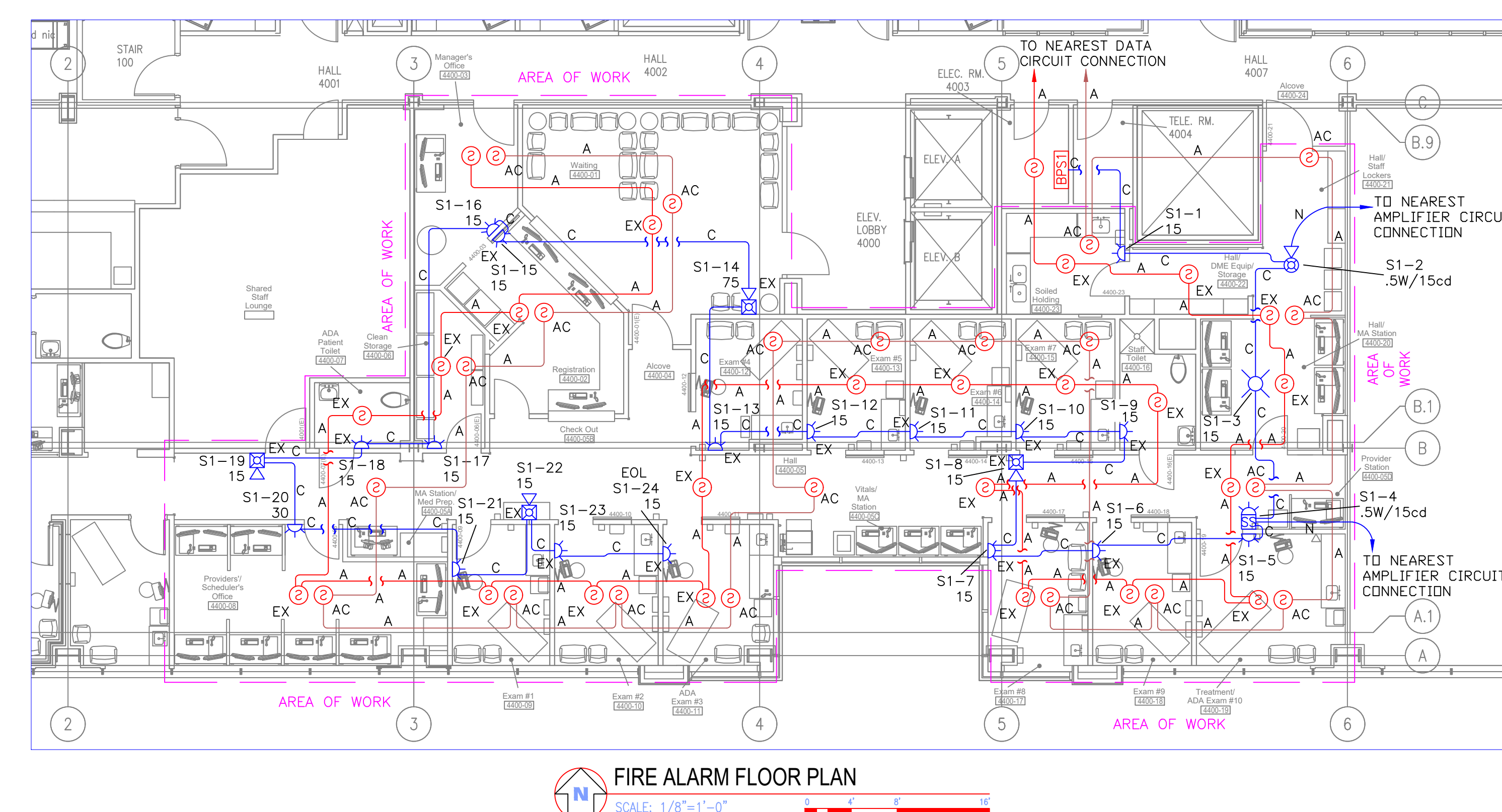
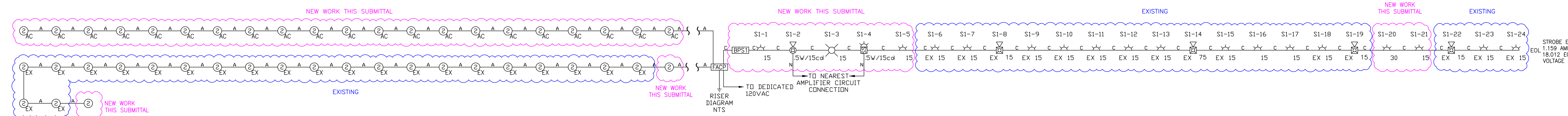
D Drake
11/16/2023
10:10:15 AM

THE APPROVED CONSTRUCTION PLANS AND ALL ENGINEERING MUST BE POSTED ON THE JOB AT ALL INSPECTIONS IN A VISIBLE AND READILY ACCESSIBLE LOCATION.

Approval of submitted plans is not an approval of omissions or oversight by this office or noncompliance with any applicable regulations of local government. The contractor is responsible for making sure that the building complies with all applicable building codes and regulations of the local government.

SCOPE OF WORK:
ADD 1EA BOOSTER POWER SUPPLY, 23EA SMOKE DETECTORS, 7EA STROBES, 2EA SPEAKER/STROBES TO THE EXISTING SYSTEM FOR THIS TENANT IMPROVEMENT AREA

SEQUENCE OF OPERATIONS	MANUAL PULL STATION	SMOKE DETECTION	ELEVATOR MACHINE ROOM/SHOFT SMOKE DET.	MAIN FLOOR ELEV. LOBBY SMOKE DET.	OTHER FLOOR ELEV. LOBBY SMOKE DET.	HEAT DETECTION	DUCT SMOKE DETECTION	WET FLOW SWITCH	DRY FLOW SWITCH	FOLLOW AIR	DRY TAMPER SWITCH	POST TAMPER SWITCH	RESET INDICATOR VALVE	SYSTEM TROUBLE
ACTIVATION OF LOCAL ALARM AT FACP	X	X	X	X	X	X	X	X	X	X	X	X	X	X
INDICATION OF ALARM AT LCD ANNUNCIATOR	X	X	X	X	X	X	X	X	X	X	X	X	X	X
ACTIVATE ALL AUDIBLE & VISIBLE DEVICES	X	X	X	X	X	X	X	X	X	X	X	X	X	X
SHUT DOWN RESPECTIVE HVAC UNIT								X						
INITIATE ELEV. RECALL TO MAIN FLOOR								X						
INITIATE ELEV. RECALL TO ALTERNATE FLOOR								X						
TRANSMIT ALARM SIGNAL TO CENTRAL STATION	X	X	X	X	X	X	X	X	X	X	X	X	X	X
TROUBLE/SUPV. INDICATION AT FACP								X	X	X	X	X	X	X
TROUBLE/SUPV. INDICATION AT LCD ANNUNCIATOR								X	X	X	X	X	X	X
TRANSMIT TROUBLE/SUPV. SIGNAL TO CENTRAL STATION								X	X	X	X	X	X	X



FROULA
ALARM SYSTEMS, Inc.

861 Industry Drive
Tukwila, WA 98188
206-575-1962

City of Puyallup
Development & Permitting Services
ISSUED PERMIT

Building Planning
Engineering Public Works
Fire Traffic

City of Puyallup
Fire
REVIEWED FOR COMPLIANCE

D Drake
11/16/2023
10:10:15 AM

THE APPROVED CONSTRUCTION PLANS AND ALL ENGINEERING MUST BE POSTED ON THE JOB AT ALL INSPECTIONS IN A VISIBLE AND READILY ACCESSIBLE LOCATION.

Approval of submitted plans is not an approval of omissions or oversight by this office or noncompliance with any applicable regulations of local government. The contractor is responsible for making sure that the building complies with all applicable building codes and regulations of the local government.

FIRE ALARM SYSTEM
MULTICARE GSMOB
SUITE 4400 CLINIC TENANT IMPROVEMENT
1450 - 5TH STREET SE
PUYALLUP, WASHINGTON 98372

REV.	DATE	DESCRIPTION
1	10/25/23	PERMIT DRAWINGS

PROJ. MGR.: Bill Huggins
DRAWN BY: HEV

FA-1
SHEET NO.
1 OF 1