

6 - Specifications Manual



See attached for new product specifications.

Note as part of project scope previously permitted existing items are being relocated from building 02 to building 01 or relocated within building 01 which include the following:

Chemistry Classroom 325

- Existing Fume hood, base cabinet and counter previously in use at Chemistry Prep Room 02-231, in building 02, is being relocated to this room with new exhaust vent at roof.
- Existing refrigerator previously in use at Chemistry Prep Room 02-231, in building 02, is being relocated to this room.

Chemistry Prep Room 319B

- Existing Fume hood previously in use at Chemistry Classroom 02-232, in building 02, is being relocated to this room with new exhaust vent at roof.
- Existing small refrigerator previously in use at Chemistry Prep Room 01-325A, in building 01, is being relocated to this room.
- Existing science prep sink with built-in emergency eyewash previously in use at Science Classroom in 02-238, in building 02, is being relocated to this room with the existing counter and cabinet. The base cabinet will be modified to comply with ADA wheelchair knee clearance requirements and set at a counter height of 34" maximum.
- Existing goggles sanitation cabinet previously in use at Chemistry Classroom 02-232, in building 02, is being relocated to this room.
- Existing acid neutralization barrel previously in use at Chemistry Prep Room 02-231, in building 02, is being relocated to this room.
- Existing spill kits previously in use at Chemistry Prep Room 02-231, in building 02, is being relocated to this room.
- Existing unvented hazardous materials storage cabinets previously in use at Chemistry Prep Room 02-231, in building 02, are being located to this room. Hazardous materials storage cabinets include: Flammable storage cabinet, Bases/Corrosives cabinet, Acid cabinet, and Glacial Acetic Acid/Acetic Acid cabinet.
- Existing wall mounted ABC fire extinguisher (FE) and sign previously in use at Chemistry Prep Room 02-231, in building 02, is being relocated to this room.
- PLAM Casework in use at Library 02-130, in building 02, to be relocated to this room.
- Existing plexiglass seismic shelf edges at Chemistry Prep Room 02-231, in building 02, to be reinstalled at shelving in this room.

See the following pages for other specified items:

Chemistry Classroom 325

- (3) Kinetic Modular Double Lab Stations with Epoxy Sinks and Power.

Chemistry Prep Room 319B

- (1) Emergency Shower
- (1) Emergency, non-asbestos, Fire Blanket
- (1) OFCI Soap Dispenser (SD), per Puyallup Standard, not included
- (1) OFCI Paper Towel Dispenser (PTD), per Puyallup Standard, not included

Chemistry Classroom 325 and Chemistry Prep Room 319B

- Resilient flooring and cover base

**LEDGIBLE SPECIFICATIONS ARE
REQUIRED TO BE PROVIDED BY THE
PERMITTEE ON SITE FOR ALL
INSPECTIONS**

PRCTI20231574



Kinetic Modular Double Lab Stations with Epoxy Sinks and Power, to be provided by Puyallup School District

Manufacturer: Diversified Woodcrafts

Model Number: C2416K

Limited Specification Available:

Product Weight (Lbs): 495

Material: Oak w/ oak veneer

Warranty: Limited lifetime

Tabletop Material: 1" solid epoxy resin

Overall Width: 66" W

Overall Depth: 48" D

Overall Height: 36" H

Other Info: Includes two multiservice fixtures, two GFI protected AC duplex receptacles and two rod sockets

Sink Dimensions: 12" W x 8" L x 6" D

Permit Review Note: Student Lab stations to have water and power only, no air or gas.

Kinetic Modular Island Double Lab Stations

Provides fully equipped science center for four to sixteen students.

Base: Apron, cabinet and legs constructed of solid oak or maple hardwood and veneers with an earth-friendly UV finish

Storage: Full cupboard or half cupboard with dovetailed, locking drawers

Epoxy or Phenolic Top: 1" Solid epoxy or 3/4" phenolic resin

Electric: GFI AC duplex outlets

Options: Flat top without sink and fixtures, or drop-in solid epoxy resin sink (12"W x 8"D x 6"H) with cold water faucets for every two students; ~~Gas~~ ~~cocks~~ for each student plus rod sockets and book compartments

Feet: Rubber leg boots and rubber base molding

Overall Dimensions: 66"W x 48"D x 36"H; Add 66"W for every 4 students



PRCTI20231574



ANSI/ISEA Z358.1 Certified
Patent Information:
tepid.com/patents



5330 East 25th Street
Indianapolis Indiana 46218
(888) 445-4142
www.tepid.com

Emergency Shower
Manufacturer: STINGRAY SYSTEMS
Model Number: T3035 BARRIER
FREE

Permit Review Note: Emergency
Shower only no, emergency eyewash
basin

Stingray Systems

T3030/T3035

Wall Mounted Emergency Shower

The T3030/T3035 emergency shower is a wall mounted unit that includes an integral mixing valve. The integral valve assembly shall be nickel-plated brass unit with machined 1¼" connections with check valves for hot and cold-water inlet connections. The integral valve assembly shall control outlet temperature over a wide range of flow and shall be suitable for shower applications in order to comply with the latest ANSI/ISEA Z358.1 requirements. Temperature adjustment shall be vandal resistant.

The control mechanism shall employ a liquid-filled thermostatic motor to drive the valve without additional power requirements. The control mechanism shall employ a stainless steel sliding piston control device with reverse seat closure and both fixed and variable cold-water bypass.

In the event of interruption of the cold water supply, the control mechanism closes off the hot water port, stopping all flow (POSITIVE HOT WATER SHUTOFF). In the event of interruption of the hot water supply, the control mechanism shall allow cold flow through both the fixed and variable bypass. In the event that the liquid motor fails, the control mechanism closes off the hot water port with the reverse seat and fully opens the internal variable bypass to allow cold-water flow.

The shower shall include a First Aid Red ABS showerhead (or stainless steel showerhead) designed to give the user uniform and non-forceful flow over the entire coverage area at a minimum of 20 gpm at 30psi. A stainless steel pull handle connected to the nickel-plated ball valve accomplishes activation of the shower.

The shower shall include a mounting bracket and shall be secured to the wall with appropriate anchors. The shower shall be installed at the correct elevation per the standard, be installed level and be self-draining to hinder bacteria growth. The shower shall also be independently certified to meet the latest ANSI/ISEA Z358.1 requirements and shall come with ANSI compliant signage.



Series: T3030/T3035

Model Number:

- T3030 Wall Mounted Standard Shower
- T3035 Wall Mounted Barrier Free Shower

Pipe Finish:

- Galvanized (GA)
- Epoxy Coated (EP)
- Stainless Steel (SS)

Showerhead Material Options:

- ABS (NA/AB)
- Stainless Steel (NA/SS)



ASSE 1071 Approved

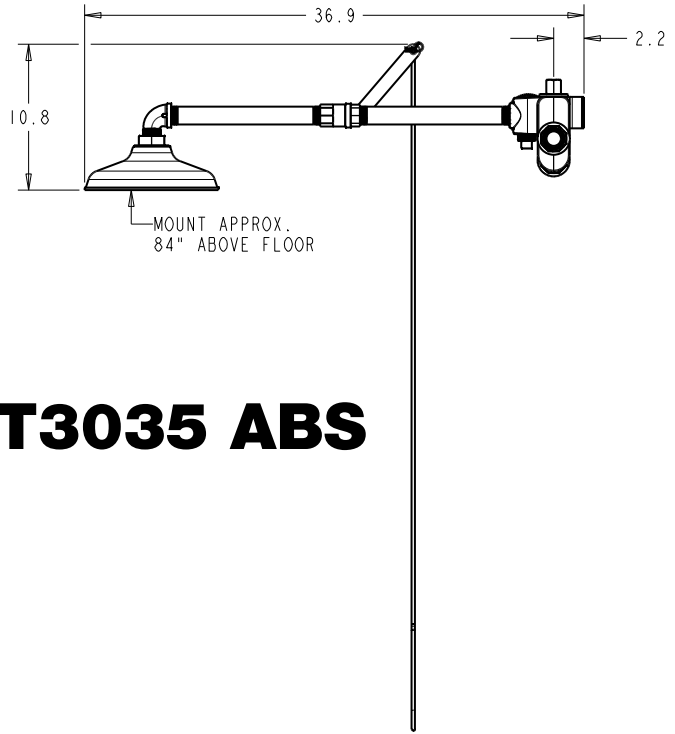
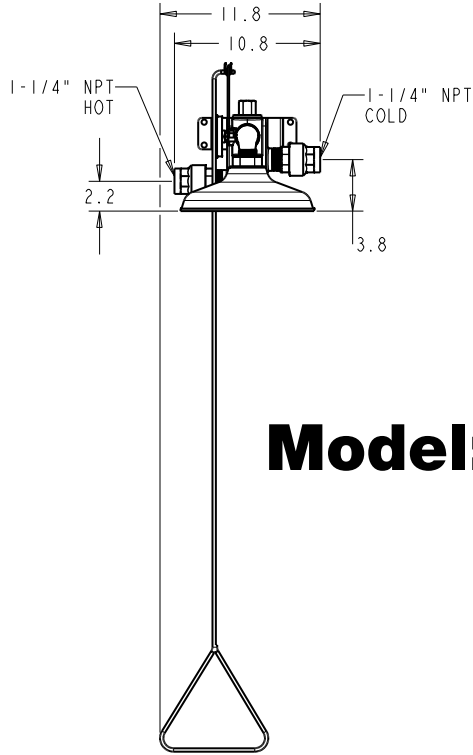
PRCTI20231574

City of Puyallup Development & Permitting Services ISSUED PERMIT	
Building	Planning
Engineering	Public Works
Fire	Traffic

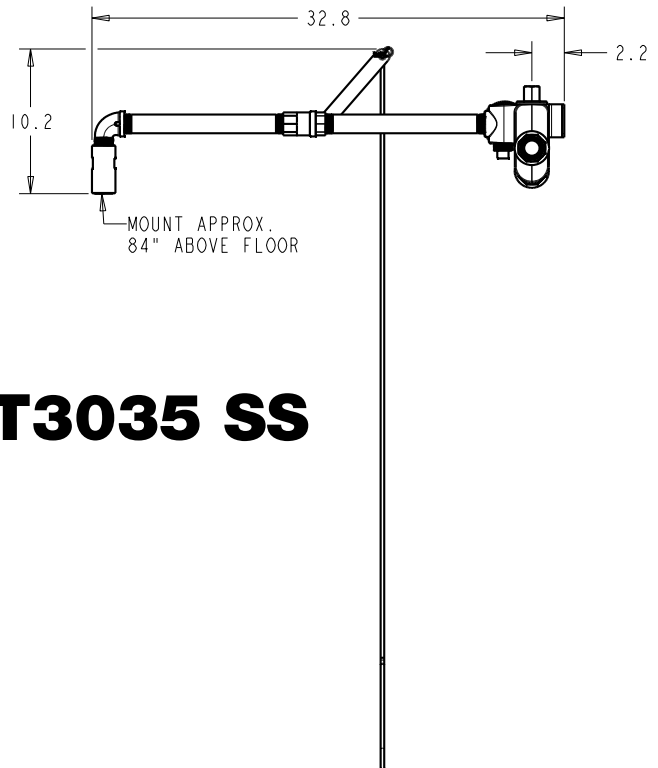
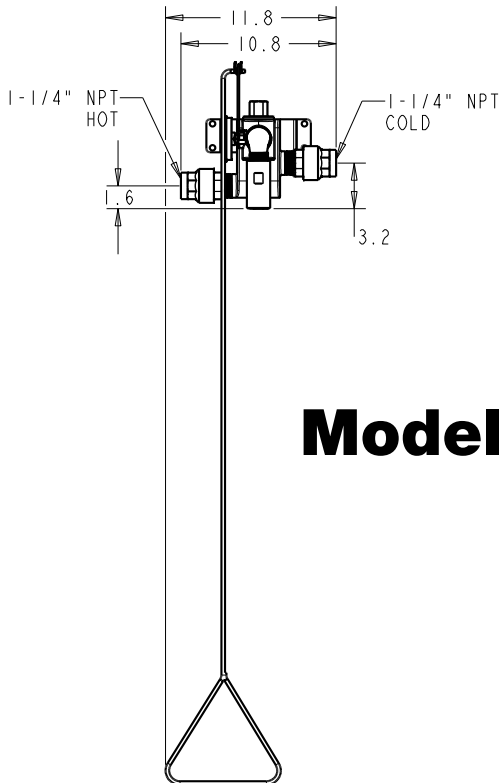
ANSI/ISEA Z358.1 Certified
Patent Information:
tepid.com/patents



5330 East 25th Street
Indianapolis Indiana 46218
(888) 445-4142
www.tepid.com



Model: T3035 ABS



Model: T3035 SS

Illustrations shown with ABS Shower Head.
Design and specification subject to change without notice.

Fire Blanket with Case
Manufacturer: Flinn Scientific
Model Number: SE3006

PRCTI20231574

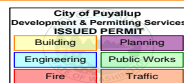
City of Puyallup Development & Permitting Services ISSUED PERMIT	
Building	Planning
Engineering	Public Works
Fire	Traffic

Product Details

A woolen blanket for smothering fires and for containing and controlling chemical spills. Blanket dimensions are 62" x 80". You may buy the blanket with the metal container for wall mounting or, if you have the wall container, you can purchase the blanket alone. Mount fire blankets and other safety aids in fixed locations. This will allow you and your students to know exactly where to find these important safety tools in case of emergency. Fire blanket case dimensions are 18" W x 16" H x 5¼" D.



RESILIENT SHEET FLOORING AND COVE BASE
Manufacturer: Mannington Commercial
Model Number: BIOSPEC MD



BioSpec® MD

Mannington.
COMMERCIAL

Style	BioSpec® MD
Construction	Homogeneous Sheet (Non-ortho phthalate construction)
Classification	ASTM F1913 Sheet Vinyl Floor Covering without Backing
Total Thickness	0.080" (2.03 mm)
Wear Layer	Quantum Guard Elite®
Width	6'6" (2 m)
Colors	68
Pattern Repeat	Random repeat, reverse sheet for seaming
Packaging	30-73 yd ² (25.1-61.04 m ²) (73 yd ² roll is approx. 100 lineal feet)
Weight	6.5 lbs/yd ² (2.948 kg/m ²)
Adhesive	<p>Porous & Non-porous Substrates:</p> <p>V-95 Full Spread, 2-part Epoxy</p> <p>MoistureLoc / Amtico RP-18 Full Spread, One-Component</p> <p>V-88 / Amtico PSA Full Spread, Transitional Pressure Sensitive</p> <p>XpressStep for LVT & Sheet Vinyl Full Coverage Spray</p> <p>Note: Must use V-95, MoistureLoc, Amtico RP-18, QuickStix or XpressStep adhesive under hospital beds and heavy rolling load areas. In more abusive conditions such as areas subject to dragging force, direct sunlight or where typical moisture would be a concern, only V-95, MoistureLoc, Amtico RP-18 or QuickStix should be used.</p>
QuickStix®	Available with QuickStix® pre-applied adhesive, reducing time and labor required to install the flooring. QuickStix® floors can be used immediately after installation, even in extreme moisture areas.
Seam Method	Mannington Commercial Weld Rods or MCS-42 Chemical Seam Sealer. Mannington Seam Coater Pen for high traffic areas. Note: Heat welding is the recommended procedure for healthcare and high traffic applications.
Testing	
HUD/FHA	Meets / Exceeds
ADAG (American Disability Act Guidelines)	Passes
Flexibility (ASTM F137)	Passes - 1 1/2" Mandrel - No Crack/Break
Static Load (ASTM F970)	Passes - Residual Indent ≤ 0.005"
Static Load (ASTM F970 mod.)	Passes - 2,000 PSI; Residual Indent ≤ 0.005"
Rolling Resistance/Caster Chair (ISO 4918)	25,000 Cycles, No Significant Change
Short Term Residual Indentation (ASTM F1914/F1303)	Passes - Must be < 0.007"
Flooring Radiant Panel (ASTM E648)	Passes - Class 1; ≥ 0.45 watts/cm ²
Smoke Density (ASTM E662)	Passes - ≤ 450
Slip Resistance (ASTM C1028, Dry)	Passes - ≥ 0.5 Leather; 0.6 Rubber
Acoustic IIC (ASTM E492)	50 - 6" Concrete with Drop Ceiling
Acoustic STC (ASTM E90)	63 - 6" Concrete with Drop Ceiling
Resistance to Light (ASTM F1515)	Passes - < 8 Delta E Color Change
Chemical Resistance (ASTM F925)	Passes - No More Than Slight Change
Resistance to Heat (ASTM F1514)	Passes - < 8 Delta E Color Change
Resistance to Mold/Mildew (ASTM G21/E2180)	Passes - No More Than Slight Change
Environmental Data	
Indoor Air Quality	FloorScore Certified; CDPH v1.2-2017
Product Declarations	Third party verified EPD, HPD
Carbon Offset	105% Cradle to Gate (A1-A3), see website for additional information
LEED	May contribute to LEED credits: Building Product Disclosure & Optimization - EPDs Building Product Disclosure & Optimization - Sourcing Raw Materials; Building Product Disclosure & Optimization - IEQc2 - Low Emitting Materials Visit mindfulmaterials.com for current transparency information
mindful MATERIALS Manufacturing	Salem, NJ (USA) - ISO 14001 EMS & ISO 9001 QMS Registered
Warranty	
	Limited 12-Year Commercial Warranty Limited 12-Year Quantum Guard Elite® Wear Warranty

Note: Visual/Color variations can occur from roll to roll. This variation does not affect product performance. Dye lot maximum of 1,000SY.