



AZURE | GREEN CONSULTANTS

+feasibility +planning +engineering +surveying

Taco Time

Pollution Source Control Plan

FOR: Taco Time NW
3300 Maple Valley Hwy
Renton, WA 98058
206.255.3633
rtonkin@tacotimenw.com

BY: Azure Green Consultants
409 East Pioneer
Puyallup, WA 98372
253.770.3144

DATE: December 22, 2023

JOB NO: 2935

ENGINEER: Robert A. Trivitt, P.E.

Best Management Practices Applicable to this project

The proposed site use is a restaurant. Based on the 2019 DOE Stormwater Management Manual for Western Washington, Volume IV, the following BMP's are anticipated to be necessary to control pollution of stormwater runoff.

Source Control Applicable to All Sites

- S410 BMPs for Correcting Illicit Discharges to Storm Drains
- S453 BMPs for Formation of a Pollution Prevention Team
- S454 BMPs for Preventive Maintenance/Good Housekeeping
- S455 BMPs for Spill Prevention and Cleanup
- S456 BMPs for Employee Training
- S457 BMPs for Inspections
- S458 BMPs for Record Keeping

Source Control Applicable to Restaurant Use

- S411 BMPs for Landscaping and Lawn/Vegetation Management
- S417 BMPs for Maintenance of Stormwater Drainage and Treatment Systems
- S421 BMPs for Parking and Storage of Vehicles and Equipment
- S424 BMPs for Roof/Building Drains at Manufacturing and Commercial Buildings
- S427 BMPs for Storage of Liquid, Food Waste, or Dangerous Waste Containers
- S442 BMPs for Labeling Storm Drain Inlets on Your Property
- S447 BMPs for Roof Vents
- S450 BMPs for Irrigation

IV-1 Source Control BMPs Applicable to All Sites

S410 BMPs for Correcting Illicit Discharges to Storm Drains

Description of Pollutant Sources: Illicit discharges are unpermitted sanitary or process wastewater discharges to a storm sewer or to surface water, rather than to a sanitary sewer, industrial process wastewater, or other appropriate treatment. They can also include swimming pool water, filter backwash, cleaning solutions/washwaters, cooling water, etc. Experience has shown that illicit discharges are common, particularly in older buildings.

Pollutant Control Approach: Identify and eliminate unpermitted discharges or obtain an NPDES permit, where necessary, particularly at industrial and commercial facilities.

Applicable Operational BMPs:

- For all real properties, responsible parties must examine their plumbing systems to identify any potential illicit discharges. Review site plans, engineering drawings, or other sources of information for the plumbing systems on the property.
- If an illicit discharge is suspected, trace the source using an appropriate method such as visual reconnaissance, smoke test, flow test, dye test with a nontoxic dye, or closed circuit television (CCTV) inspection. These tests are to be performed by qualified personnel such as a plumbing contractor. Note: Contact Ecology prior to performing a dye test which may result in a discharge to a receiving water.
- If illicit connections are found, permanently plug or disconnect the connections.
- Eliminate prohibited discharges to storm sewer, ground water, or surface water.
- Convey unpermitted discharges to a sanitary sewer if allowed by the local sewer authority, or to other approved treatment.
- Obtain all necessary permits for altering or repairing side sewers and plumbing fixtures. Restrictions on certain types of discharges, particularly industrial process waters, may require pretreatment of discharges before they enter the sanitary sewer. It is the responsibility of the property owner or business operator to obtain the necessary permits and to replace the connection.
- Obtain appropriate state and local permits for these discharges.

Recommended Additional Operational BMPs:

At commercial and industrial facilities, conduct a survey of wastewater discharge connections to storm drains and to surface water as follows:

- Conduct a field survey of buildings, particularly older buildings, and other industrial areas to locate storm drains from buildings and paved surfaces. Note where these discharge.
- During non-stormwater conditions, inspect each storm drain for non-stormwater discharges. Record the locations of all non-stormwater discharges. Include all permitted discharges.
- If useful, prepare a map of each area. Show on the map the known location of storm sewers, sanitary sewers, and permitted and unpermitted discharges. Aerial photos may be useful. Check records such as piping schematics to identify known side sewer connections and show these on the map. Consider using smoke, dye, or chemical analysis tests to detect connections between two conveyance systems (e.g., process water and stormwater). If desirable, conduct TV inspections of the storm drains and record the footage on videotape.
- Compare the observed locations of connections with the information on the map and revise the map accordingly. Note suspect connections that are inconsistent with the field survey.
- Identify all connections to storm sewers or to surface water and take the actions specified above as applicable BMPs.

S453 BMPs for Formation of a Pollution Prevention Team

The pollution prevention team should be responsible for implementing and maintaining all BMPs and treatment for the site. This team should be able to address any corrective actions needed on site to mitigate potential stormwater contamination. The team members should:

- Consist of those people who are familiar with the facility and its operations.
- Possess the knowledge and skills to assess conditions and activities that could impact stormwater quality at your facility, and who can evaluate the effectiveness of control measures.
- Assign pollution prevention team staff to be on duty on a daily basis to cover applicable permittee facilities when those facilities are in operation.
- Have the primary responsibility for developing and overseeing facility activities necessary to comply with stormwater requirements.
- Have access to all applicable permit, monitoring, SWPPP, and other records.
- Be trained in the operation, maintenance and inspections of all BMPs and reporting procedures.
- Establish responsibilities for inspections, operation, maintenance, and emergencies.
- Regularly meet to review overall facility operations and BMP effectiveness.

S454 BMPs for Preventive Maintenance / Good Housekeeping

Preventative maintenance and good housekeeping practices reduce the potential for stormwater to come into contact with pollutants and can reduce maintenance intervals for the drainage system and sewer system.

Applicable BMPs:

- Prevent the discharge of unpermitted liquid or solid wastes, process wastewater, and sewage to ground or surface water, or to storm drains that discharge to surface water, or to the ground. Conduct all oily parts cleaning, steam cleaning, or pressure washing of equipment or containers inside a building, or on an impervious contained area, such as a concrete pad. Direct contaminated stormwater from such an area to a sanitary sewer where allowed by local sewer authority, or to other approved treatment.
- Promptly contain and clean up solid and liquid pollutant leaks and spills including oils, solvents, fuels, and dust from manufacturing operations on an exposed soil, vegetation, or paved area.
- If a contaminated surface must be pressure washed, collect the resulting washwater for proper disposal (usually involves plugging storm drains, or otherwise preventing discharge and pumping or vactoring up washwater, for discharge to sanitary sewer or for vactor truck transport to a waste water treatment plant for disposal).
- Do not hose down pollutants from any area to the ground, storm drains, conveyance ditches, or receiving water. Convey pollutants before discharge to a treatment system approved by the local jurisdiction.
- Sweep all appropriate surfaces with vacuum sweepers quarterly, or more frequently as needed, for the collection and disposal of dust and debris that could contaminate stormwater. Use mechanical sweepers, and manual sweeping as necessary to access areas that a vacuum sweeper can't reach to ensure that all surface contaminants are routinely removed.
- Do not pave over contaminated soil unless it has been determined that ground water has not been and will not be contaminated by the soil. Call Ecology for assistance.
- Construct impervious areas that are compatible with the materials handled. Portland cement concrete, asphalt, or equivalent material may be considered.
- Use drip pans to collect leaks and spills from industrial/commercial equipment such as cranes at ship/boat building and repair facilities, log stackers, industrial parts, trucks and other vehicles stored outside.
- At industrial and commercial facilities, drain oil and fuel filters before disposal. Discard empty oil and fuel filters, oily rags, and other oily solid waste into appropriately closed and properly labeled containers, and in compliance with the Uniform Fire Code or International Building Code.
- For the storage of liquids use containers, such as steel and plastic drums, that are rigid and

durable, corrosion resistant to the weather and fluid content, non-absorbent, water tight, rodent-proof, and equipped with a close fitting cover.

- For the temporary storage of solid wastes contaminated with liquids or other potential polluted materials use dumpsters, garbage cans, drums, and comparable containers, which are durable, corrosion resistant, non-absorbent, non-leaking, and equipped with either a solid cover or screen cover to prevent littering. If covered with a screen, the container must be stored under a roof or other form of adequate cover.
- Where exposed to stormwater, use containers, piping, tubing, pumps, fittings, and valves that are appropriate for their intended use and for the contained liquid.
- Clean oils, debris, sludge, etc. from all stormwater facilities regularly, including catch basins, settling/detention basins, oil/water separators, boomed areas, and conveyance systems to prevent the contamination of stormwater. Refer to [Ecology Requirements for Generators of Dangerous Wastes](#) in [I-2.15 Other Requirements](#) for references to assist in handling potentially dangerous waste.
- Promptly repair or replace all substantially cracked or otherwise damaged paved secondary containment, high-intensity parking, and any other drainage areas, subjected to pollutant material leaks or spills. Promptly repair or replace all leaking connections, pipes, hoses, valves, etc., which can contaminate stormwater.
- Do not connect floor drains in potential pollutant source areas to storm drains, surface water, or to the ground.

Recommended BMPs:

- Where feasible, store potential stormwater pollutant materials inside a building or under a cover and/or containment.
- Minimize use of toxic cleaning solvents, such as chlorinated solvents, and other toxic chemicals.
- Use environmentally safe raw materials, products, additives, etc. such as substitutes for zinc used in rubber production.
- Recycle waste materials such as solvents, coolants, oils, degreasers, and batteries to the maximum extent feasible. Contact Ecology's *Hazardous Waste & Toxics Reduction Program* at <https://ecology.wa.gov/About-us/Get-to-know-us/Our-Programs/Hazardous-Waste-Toxics-Reduction> for recommendations on recycling or disposal of vehicle waste liquids and other waste materials.
- Empty drip pans immediately after a spill or leak is collected in an uncovered area.
- Stencil warning signs at stormwater catch basins and drains, e.g., “Dump no waste – Drains to waterbody”.
- Use solid absorbents, e.g., clay and peat absorbents and rags for cleanup of liquid spills/leaks, where practicable.
- Promptly repair/replace/reseal damaged paved areas at industrial facilities.

- Recycle materials, such as oils, solvents, and wood waste, to the maximum extent practicable.

Note: Evidence of stormwater contamination by oils and grease can include the presence of visible sheen, color, or turbidity in the runoff, or present or historical operational problems at the facility. Operators can use simple pH tests, for example with litmus or pH paper. These tests can screen for high or low pH levels (anything outside a 6.5-8.5 range) due to contamination in stormwater.

S455 BMPs for Spill Prevention and Cleanup

Description of Pollutant Sources: Spills and leaks can damage public infrastructure, interfere with sewage treatment, and cause a threat to human health or the environment. Spills are often preventable if appropriate chemical and waste handling techniques are practiced effectively and the spill response plan is immediately implemented. Additional spill control requirements may be required based on the specific activity occurring on site.

Applicable BMPs:

Spill Prevention

- Clearly label or mark all containers that contain potential pollutants.
- Store and transport liquid materials in appropriate containers with tight-fitting lids.
- Place drip pans underneath all containers, fittings, valves, and where materials are likely to spill or leak.
- Use tarpaulins, ground cloths, or drip pans in areas where materials are mixed, carried, and applied to capture any spilled materials.
- Train employees on the safe techniques for handling materials used on the site and to check for leaks and spills.

Spill Plan

- Develop and implement a spill plan and update it annually or whenever there is a change in activities or staff responsible for spill cleanup. Post a written summary of the plan at areas with a high potential for spills, such as loading docks, product storage areas, waste storage areas, and near a phone. The spill plan may need to be posted at multiple locations. Describe the facility, including the owner's name, address, and telephone number; the nature of the facility activity; and the general types of chemicals used at the facility.
- Designate spill response employees to be on-site during business activities. Provide a current list of the names and telephone numbers (home and office) of designated spill response employees who are responsible for implementing the spill plan.
- Provide a site plan showing the locations of storage areas for chemicals, inlets/catch basins, spill kits and other relevant infrastructure or materials information.
- Describe the emergency cleanup and disposal procedures. Note the location of all spill kits in

the spill plan.

- List the names and telephone numbers of public agencies to contact in the event of a spill.

Spill Cleanup Kits

- Store all cleanup kits near areas with a high potential for spills so that they are easily accessible in the event of a spill. The contents of the spill kit must be appropriate to the types and quantities of materials stored or otherwise used at the facility, and refilled when the materials are used. Spill kits must be located within 25 feet of all fueling/fuel transfer areas, including on-board mobile fuel trucks.

Note: Ecology recommends that the kit(s) include salvage drums or containers, such as high density polyethylene, polypropylene or polyethylene sheet-lined steel; polyethylene or equivalent disposal bags; an emergency response guidebook; safety gloves/clothes/equipment; shovels or other soil removal equipment; and oil containment booms and absorbent pads; all stored in an impervious container.

Spill Cleanup and Proper Disposal of Waste

- Stop, contain, and clean up all spills immediately upon discovery.
- Implement the spill plan immediately.
- Contact the designated spill response employees.
- Block off and seal nearby inlets/catch basins to prevent materials from entering the drainage system or combined sewer.
- Use the appropriate material to clean up the spill.
- Do not use emulsifiers or dispersants such as liquid detergents or degreasers unless disposed of properly. Emulsifiers and dispersants are not allowed to be used on surface water, or in a place where they may enter storm drains, surface waters, treatments systems, or sanitary sewers.
- Immediately notify Ecology and the local jurisdiction if a spill has reached or may reach a sanitary or storm sewer, ground water, or surface water. Notification must comply with state and federal spill reporting requirements.
- Do not wash absorbent material into interior floor drains or inlets/catch basins.
- Place used spill control materials in appropriate containers and dispose of according to regulations.

S456 BMPs for Employee Training

Train all employees that work in pollutant source areas about the following topics:

- Identifying Pollution Prevention Team Members.
- Identifying pollutant sources.

- Understanding pollutant control measures.
- Spill prevention and response.
- Emergency response procedures.
- Handling practices that are environmentally acceptable. Particularly those related to vehicle/equipment liquids such as fuels, and vehicle/equipment cleaning.

Additional specialized training may be needed for staff who will be responsible for handling hazardous materials.

S457 BMPs for Inspections

Qualified personnel shall conduct inspections monthly. Make and maintain a record of each inspection on-site. The following requirements apply to inspections:

- Be conducted by someone familiar with the facility's site, operations, and BMPs.
- Verify the accuracy of the pollutant source descriptions in the SWPPP.
- Assess all BMPs that have been implemented for effectiveness and needed maintenance and locate areas where additional BMPs are needed.
- Reflect current conditions on the site.
- Include written observations of the presence of floating materials, suspended solids, oil and grease, discoloration, turbidity and odor in the stormwater discharges; in outside vehicle maintenance/repair; and liquid handling, and storage areas. In areas where acid or alkaline materials are handled or stored use a simple litmus or pH paper to identify those types of stormwater contaminants where needed.
- Eliminate or obtain a permit for unpermitted non-stormwater discharges to storm drains or receiving waters, such as process wastewater and vehicle/equipment washwater.
- Identify actions to address inspection deficiencies.

S458 BMPs for Record Keeping

See the applicable permit for specific record-keeping requirements and retention schedules for the following reports. At a minimum, retain the following reports for five years:

- Inspection reports which should include:
 - Time and date of the inspection
 - Locations inspected
 - Statement on status of compliance with the permit
 - Summary report of any remediation activities required
 - Name, title, and signature of person conducting the inspection

- Reports on spills of oil or hazardous substances in greater than Reportable Quantities (Code of Federal Regulations Title 40 Parts 302.4 and 117). Report spills of the following: antifreeze, oil, gasoline, or diesel fuel, that cause:
 - A violation of the State of Washington's Water Quality Standards.
 - A film or sheen upon or discoloration of the waters of the State or adjoining shorelines.
 - A sludge or emulsion to be deposited beneath the surface of the water or upon adjoining shorelines.

To report a spill or to determine if a spill is a substance of a Reportable Quantity, call the Ecology regional office and ask for an oil spill operations or a dangerous waste specialist:

- Northwest Region (425)649-7000
- Southwest Region (360)407-6300
- Eastern Region (509)329-3400
- Central Region (509) 575-2490

In addition, call the Washington Emergency Management Division at 1-800-258-5990 or 1-800-OILS-911 AND the National Response Center at 1-800-424-8802.

Also, refer to *Focus on Emergency Spill Response* ([Ecology, 2009](#)).

The following is additional recommended record keeping:

Maintain records of all related pollutant control and pollutant generating activities such as training, materials purchased, material use and disposal, maintenance performed, etc.

can cause air pollution include grain dust, sawdust, coal, gravel, crushed rock, cement, and boiler fly ash. Air emissions can contaminate stormwater. The objective of this BMP is to reduce the stormwater pollutants caused by dust generation and control.

Pollutant Control Approach: Prevent dust generation and emissions where feasible, regularly clean-up dust that can contaminate stormwater, and convey dust contaminated stormwater to proper treatment.

Applicable BMPs:

- Clean, as needed, powder material handling equipment and vehicles.
- Regularly sweep dust accumulation areas that can contaminate stormwater. Conduct sweeping using vacuum filter equipment to minimize dust generation and to ensure optimal dust removal.
- Use dust filtration/collection systems such as baghouse filters, cyclone separators, etc. to control vented dust emissions that could contaminate stormwater. Control of zinc dusts in rubber production is one example.
- Maintain on-site controls to prevent vehicle track-out.
- Maintain dust collection devices on a regular basis.

Recommended BMPs:

- In manufacturing operations, train employees to handle powders carefully to prevent generation of dust.
- Use water spray to flush dust accumulations to sanitary sewers where allowed by the local sewer authority or to other appropriate treatment system.
- Use approved dust suppressants such as those listed in *Methods for Dust Control* ([Ecology, 2016b](#)). Application of some products may not be appropriate in close proximity to receiving waters or conveyances close to receiving waters. For more information check with Ecology or the local jurisdiction.

Recommended Treatment BMPs

Install sedimentation basins, wet ponds, wet vaults, catch basin filters, vegetated filter strips, or equivalent sediment removal BMPs.

S411 BMPs for Landscaping and Lawn / Vegetation Management

Description of Pollutant Sources: Landscaping can include grading, soil transfer, vegetation planting, and vegetation removal. Examples include weed control on golf course lawns, access roads, and utility corridors and during landscaping; and residential lawn/plant care. Proper management of vegetation can minimize excess nutrients and pesticides.

Pollutant Control Approach: Maintain appropriate vegetation to control erosion and the discharge of stormwater pollutants. Prevent debris contamination of stormwater. Where practicable, grow plant species appropriate for the site, or adjust the soil properties of the site to grow desired plant species.

Applicable BMPs:

- Install engineered soil/landscape systems to improve the infiltration and regulation of stormwater in landscaped areas.
- Select the right plants for the planting location based on proposed use, available maintenance, soil conditions, sun exposure, water availability, height, sight factors, and space available.
- Ensure that plants selected for planting are not on the noxious weed list. For example, butterfly bush often gets planted as an ornamental but is actually on the noxious weed list.

The Washington State Noxious Weed List can be found at the following webpage:

<https://www.nwcb.wa.gov/printable-noxious-weed-list>

- Do not dispose of collected vegetation into waterways or storm sewer systems.
- Do not blow vegetation or other debris into the drainage system.
- Dispose of collected vegetation such as grass clippings, leaves, sticks by composting or recycling.
- Remove, bag, and dispose of class A & B noxious weeds in the garbage immediately.
- Do not compost noxious weeds as it may lead to spreading through seed or fragment if the composting process is not hot enough.
- Use manual and/or mechanical methods of vegetation removal (pincer-type weeding tools, flame weeders, or hot water weeders as appropriate) rather than applying herbicides, where practical.
- Use at least an eight-inch "topsoil" layer with at least 8 percent organic matter to provide a sufficient vegetation-growing medium.
 - Organic matter is the least water-soluble form of nutrients that can be added to the soil. Composted organic matter generally releases only between 2 and 10 percent of its total nitrogen annually, and this release corresponds closely to the plant growth cycle. Return natural plant debris and mulch to the soil, to continue recycling nutrients indefinitely.
- Select the appropriate turfgrass mixture for the climate and soil type.
 - Certain tall fescues and rye grasses resist insect attack because the symbiotic endophytic fungi found naturally in their tissues repel or kill common leaf and stem-eating lawn insects.

- The fungus causes no known adverse effects to the host plant or to humans.
 - Tall fescues and rye grasses do not repel root-feeding lawn pests such as Crane Fly larvae.
 - Tall fescues and rye grasses are toxic to ruminants such as cattle and sheep
- Endophytic grasses are commercially available; use them in areas such as parks or golf courses where grazing does not occur.
- Local agricultural or gardening resources such as Washington State University Extension office can offer advice on which types of grass are best suited to the area and soil type.
- Use the following seeding and planting BMPs, or equivalent BMPs, to obtain information on grass mixtures, temporary and permanent seeding procedures, maintenance of a recently planted area, and fertilizer application rates: [BMP C120: Temporary and Permanent Seeding](#), [BMP C121: Mulching](#), [BMP C123: Plastic Covering](#), and [BMP C124: Sodding](#).
- Adjusting the soil properties of the subject site can assist in selection of desired plant species. Consult a soil restoration specialist for site-specific conditions.

Recommended Additional BMPs:

- Conduct mulch-mowing whenever practicable.
- Use native plants in landscaping. Native plants do not require extensive fertilizer or pesticide applications. Native plants may also require less watering.
- Use mulch or other erosion control measures on soils exposed for more than one week during the dry season (May 1 to September 30) or two days during the rainy season (October 1 to April 30).
- Till a topsoil mix or composted organic material into the soil to create a well-mixed transition layer that encourages deeper root systems and drought-resistant plants.
- Apply an annual topdressing application of 3/8" compost. Amending existing landscapes and turf systems by increasing the percent organic matter and depth of topsoil can:
 - Substantially improve the permeability of the soil.
 - Increase the disease and drought resistance of the vegetation.
 - Reduces the demand for fertilizers and pesticides.
- Disinfect gardening tools after pruning diseased plants to prevent the spread of disease.
- Prune trees and shrubs in a manner appropriate for each species.
- If specific plants have a high mortality rate, assess the cause and replace with another more appropriate species.
- When working around and below mature trees, follow the most current American National Standards Institute (ANSI) ANSI A300 standards (see

http://www.tcia.org/TCIA/BUSINESS/ANSI_A300_Standards_/TCIA/BUSINESS/A300_Standards/A300_Standards.aspx?hkey=202ff566-4364-4686-b7c1-2a365af59669) and International Society of Arboriculture BMPs to the extent practicable (e.g., take care to minimize any damage to tree roots and avoid compaction of soil).

- Monitor tree support systems (stakes, guys, etc.).
 - Repair and adjust as needed to provide support and prevent tree damage.
 - Remove tree supports after one growing season or maximum of 1 year.
 - Backfill stake holes after removal.
- When continued, regular pruning (more than one time during the growing season) is required to maintain visual sight lines for safety or clearance along a walk or drive, consider relocating the plant to a more appropriate location.
- Make reasonable attempts to remove and dispose of class C noxious weeds.
- Re-seed bare turf areas until the vegetation fully covers the ground surface.
- Watch for and respond to new occurrences of especially aggressive weeds such as Himalayan blackberry, Japanese knotweed, morning glory, English ivy, and reed canary grass to avoid invasions.
- Plant and protect trees per [BMP T5.16: Tree Retention and Tree Planting](#).
- Aerate lawns regularly in areas of heavy use where the soil tends to become compacted. Conduct aeration while the grasses in the lawn are growing most vigorously. Remove layers of thatch greater than ¾-inch deep.
- Set the mowing height at the highest acceptable level and mow at times and intervals designed to minimize stress on the turf. Generally mowing only 1/3 of the grass blade height will prevent stressing the turf.
 - Mowing is a stress-creating activity for turfgrass.
 - Grass decreases its productivity when mowed too short and there is less growth of roots and rhizomes. The turf becomes less tolerant of environmental stresses, more disease prone and more reliant on outside means such as pesticides, fertilizers, and irrigation to remain healthy.

Additional BMP Information:

- King County's *Best Management Practices for Golf Course Development and Operation* ([King County, 1993](#)) has additional BMPs for Turfgrass Maintenance and Operation.
- King County, Seattle Public Utilities, and the Saving Water Partnership have created the following natural lawn and garden care resources that include guidance on building healthy soil with compost and mulch, selecting appropriate plants, watering, using alternatives to pesticides, and implementing natural lawn care techniques.

- *Natural Yard Care - Five steps to make your piece of the planet a healthier place to live* ([King County and SPU, 2008](#))
 - *The Natural Lawn & Garden Series: Smart Watering* ([Saving Water Partnership, 2006](#))
 - *Natural Lawn Care for Western Washington* ([Saving Water Partnership, 2007](#))
 - *The Natural Lawn & Garden Series: Growing Healthy Soil; Choosing the Right Plants; and Natural Pest, Weed and Disease Control* ([Saving Water Partnership, 2012](#))
- The International Society of Arboriculture (ISA) is a group that promotes the professional practice of arboriculture and fosters a greater worldwide awareness of the benefits of trees through research, technology, and education. ISA standards used for managing trees, shrubs, and other woody plants are the American National Standards Institute (ANSI) A300 standards. The ANSI A300 standards are voluntary industry consensus standards developed by the Tree Care Industry Association (TCIA) and written by the Accredited Standards Committee (ASC). The ANSI standards can be found on the ISA website: www.isa-arbor.com/education/publications/index.aspx
 - Washington State University's *Gardening in Washington State* website at <http://gardening.wsu.edu> contains Washington State specific information about vegetation management based on the type of landscape.
 - See the *Pacific Northwest Plant Disease Management Handbook* ([Pscheidt and Ocamb, 2016](#)) for information on disease recognition and for additional resources.

S425 BMPs for Soil Erosion and Sediment Control at Industrial Sites

Description of Pollutant Sources: Industrial activities on soil areas; exposed and disturbed soils; steep grading; etc. can be sources of sediments that can contaminate stormwater runoff.

Pollutant Control Approach: Limit the exposure of erodible soil, stabilize, or cover erodible soil where necessary to prevent erosion, and/or provide treatment for stormwater contaminated with TSS caused by eroded soil.

Applicable BMPs:

- Limit the exposure of erodible soil.
- Stabilize entrances/exits to prevent track-out. See [BMP C105: Stabilized Construction Access](#).
- Stabilize or cover erodible soil to prevent erosion. Cover practice options include:
 - Use vegetative cover such as grass, trees, shrubs, on erodible soil areas.
 - Cover exposed areas with mats such as clear plastic, jute, synthetic fiber. See [BMP C122: Nets and Blankets](#) and [BMP C123: Plastic Covering](#).

intercepting surface drainage to retain their diversion shape and capability.

- Use temporary erosion and sediment control measures or re-vegetate as necessary to prevent erosion during ditch reshaping.
- Do not leave ditch cleanings on the roadway surfaces. Sweep, collect, and dispose of dirt and debris remaining on the pavement at the completion of ditch cleaning operations as described below:
 - Consider screening roadside ditch cleanings, not contaminated by spills or other releases and not associated with a stormwater treatment system such as a bioswale, to remove litter. Separate screenings into soil and vegetative matter (leaves, grass, needles, branches, etc.) categories. Compost or dispose of the vegetative matter in a municipal waste landfill. Consult with the jurisdictional health department to discuss use or disposal options for the soil portion. For more information, see [Appendix IV-B: Management of Street Waste Solids and Liquids](#).
 - Roadside ditch cleanings contaminated by spills or other releases known or suspected to contain dangerous waste must be handled following the Dangerous Waste Regulations ([Chapter 173 303 WAC](#)). If testing determines materials are not dangerous waste but contaminants are present, consult with the jurisdictional health department for disposal options.
- Examine culverts on a regular basis for scour or sedimentation at the inlet and outlet, and repair as necessary. Give priority to those culverts conveying perennial and/or salmon-bearing streams and culverts near streams in areas of high sediment load, such as those near subdivisions during construction. Maintain trash racks to avoid damage, blockage, or erosion of culverts.

Recommended Treatment BMPs:

Install biofiltration swales and filter strips (see [V-7 Biofiltration BMPs](#)) to treat roadside runoff wherever practicable and use engineered topsoils wherever necessary to maintain adequate vegetation. These systems can improve infiltration and stormwater pollutant control upstream of roadside ditches.

S417 BMPs for Maintenance of Stormwater Drainage and Treatment Systems

Description of Pollutant Sources: Facilities include roadside catch basins on arterials and within residential areas, conveyance systems, detention facilities such as ponds and vaults, oil/water separators, biofilters, settling basins, infiltration systems, and all other types of stormwater treatment systems presented in [Volume V](#). Oil and grease, hydrocarbons, debris, heavy metals, sediments and contaminated water are found in catch basins, oil and water separators, settling basins, etc.

Pollutant Control Approach: Provide maintenance and cleaning of debris, sediments, and other pollutants from stormwater collection, conveyance, and treatment systems to maintain proper operation.

Applicable Operational BMPs:

Maintain stormwater treatment facilities per the operations and maintenance (O&M) procedures presented in [Appendix V-A: BMP Maintenance Tables](#) in addition to the following BMPs:

- Inspect and clean treatment BMPs, conveyance systems, and catch basins as needed, and determine necessary O&M improvements.
- Promptly repair any deterioration threatening the structural integrity of stormwater facilities. These include replacement of clean-out gates, catch basin lids, and rock in emergency spillways.
- Ensure adequacy of storm sewer capacities and prevent heavy sediment discharges to the sewer system.
- Regularly remove debris and sludge from BMPs used for peak-rate control, treatment, etc. and discharge to a sanitary sewer if approved by the sewer authority, or truck to an appropriate local or state government approved disposal site.
- Clean catch basins when the depth of deposits reaches 60 percent of the sump depth as measured from the bottom of basin to the invert of the lowest pipe into or out of the basin. However, in no case should there be less than six inches clearance from the debris surface to the invert of the lowest pipe. Some catch basins (for example, WSDOT's *Catch Basin Type 1L* ([WSDOT, 2011](#))) may have as little as 12 inches sediment storage below the invert. These catch basins need frequent inspection and cleaning to prevent scouring. Where these catch basins are part of a stormwater collection and treatment system, the system owner/operator may choose to concentrate maintenance efforts on downstream control devices as part of a systems approach.
- Properly dispose of all solids, polluted material, and stagnant water collected through system cleaning. Do not decant water back into the drainage system from eductor trucks or vacuum equipment since there may be residual contaminants in the cleaning equipment. Do not jet material downstream into the public drainage system.
- Clean woody debris in a catch basin as frequently as needed to ensure proper operation of the catch basin.
- Post warning signs; “Dump No Waste - Drains to Ground Water,” “Streams,” “Lakes,” or emboss on or adjacent to all storm drain inlets where possible.
- Disposal of sediments and liquids from the catch basins must comply with [Appendix IV-B: Management of Street Waste Solids and Liquids](#).

S421 BMPs for Parking and Storage of Vehicles and Equipment

Description of Pollutant Sources: Public and commercial parking lots such as retail store, fleet vehicle (including rent-a-car lots and car dealerships), equipment sale and rental parking lots, and

parking lot driveways, can be sources of toxic hydrocarbons and other organic compounds, including oils and greases, metals, and suspended solids.

Pollutant Control Approach: If the parking lot meets the site use thresholds to determine if the site is expected to generate high concentrations of oil, as defined in [Step 2: Determine if an Oil Control BMP is Required](#) in [III-1.2 Choosing Your Runoff Treatment BMPs](#), provide oil removal equipment for the contaminated stormwater runoff.

Applicable Operational BMPs:

- If a parking lot must be washed, discharge the washwater to a sanitary sewer, if allowed by the local sewer authority, or other approved wastewater treatment system, or collect washwater for off-site disposal.
- Do not hose down the area to a storm sewer or receiving water. Vacuum sweep parking lots, storage areas, and driveways regularly to collect dirt, waste, and debris. Mechanical or hand sweeping may be necessary for areas where a vacuum sweeper cannot reach.
- Clean up vehicle and equipment fluid drips and spills immediately.
- Place drip pans below leaking vehicles (including inoperative vehicles and equipment) in a manner that catches leaks or spills, including employee vehicles. Drip pans must be managed to prevent overfilling and the contents disposed of properly.

Recommended Operational BMPs:

- Encourage employees to repair leaking personal vehicles.
- Encourage employees to carpool or use public transit through incentives.
- Encourage customers to use public transit by rewarding valid transit pass holders with discounts.
- Install catch basin inserts to collect excess sediment and oil if necessary. Inspect and maintain catch basin inserts to ensure they are working correctly.

Applicable Treatment BMPs:

Establishments subject to high-use intensity are significant sources of oil contamination of stormwater. Examples of potential high use areas include customer parking lots at fast food stores, grocery stores, taverns, restaurants, large shopping malls, discount warehouse stores, quick-lube shops, and banks.

Refer to [Step 2: Determine if an Oil Control BMP is Required](#) in [III-1.2 Choosing Your Runoff Treatment BMPs](#) for the site use thresholds that determine if an oil control BMP is required, and for a list of oil control BMPs.

S430 BMPs for Urban Streets

Description of Pollutant Sources: Urban streets can be the source of vegetative debris, paper, fine dust, vehicle liquids, tire and brake wear residues, heavy metals (lead and zinc), soil particles,

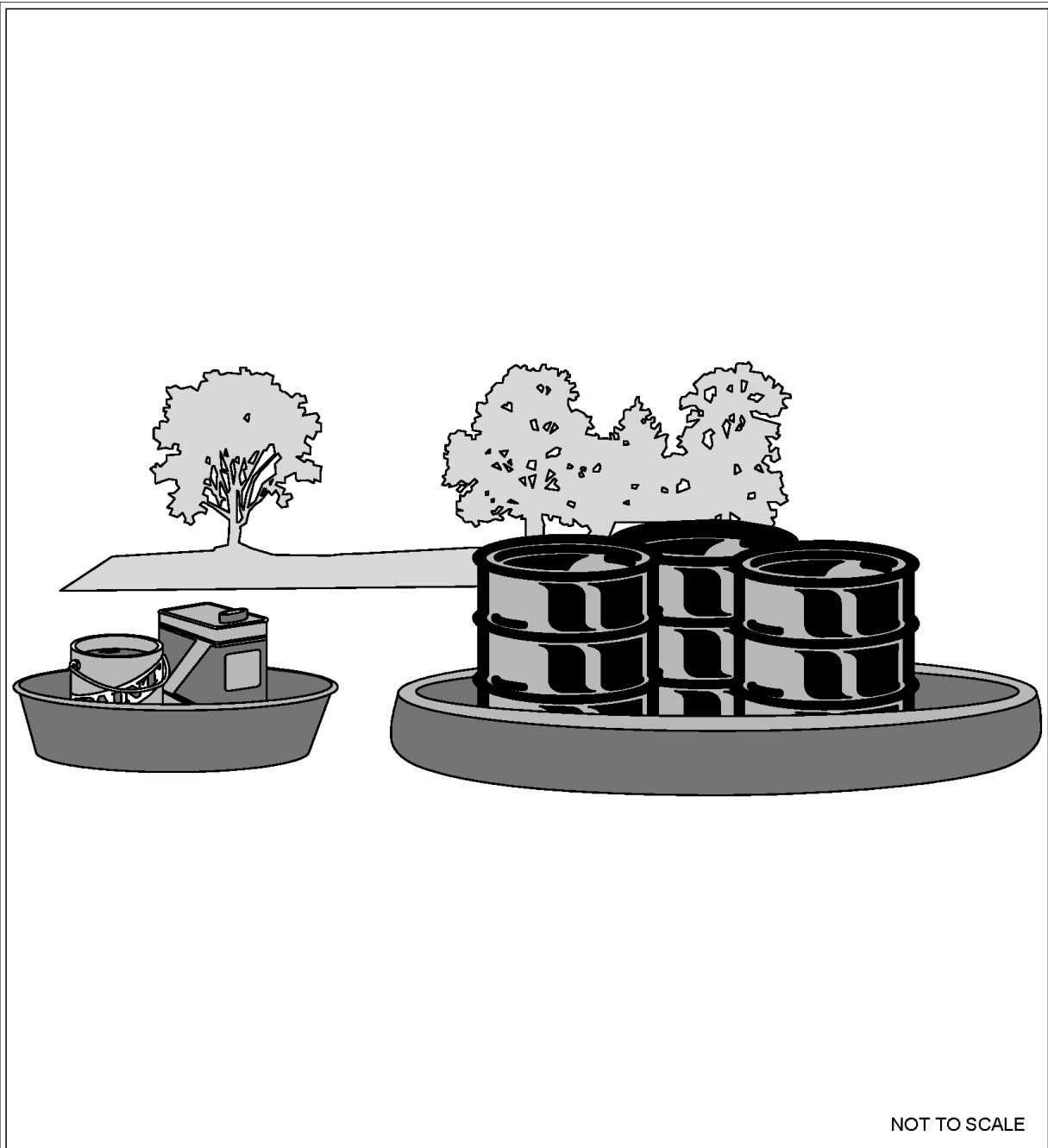
IV-5 Storage and Stockpiling Source Control BMPs

S427 BMPs for Storage of Liquid, Food Waste, or Dangerous Waste Containers

Description of Pollutant Sources: Steel and plastic drums with volumetric capacities of 55 gallons or less are typically used at industrial facilities for container storage of liquids and powders. The BMPs specified below apply to container(s) located outside a building. Use these BMPs when temporarily storing potential pollution generating materials or wastes. These BMPs do not apply when Ecology has permitted the business to store the wastes (see [Standards for Solid Waste Containers](#) in [I-2.15 Other Requirements](#)). Leaks and spills of pollutant materials during handling and storage are the primary sources of pollutants. Oil and grease, acid/alkali pH, BOD, COD are potential pollutant constituents.

Pollutant Control Approach: Store containers in impervious containment under a roof, or other appropriate cover, or in a building. For storage areas on-site for less than 30 days, consider using a portable temporary secondary system like that shown in [Figure IV-5.1: Secondary Containment System](#) in lieu of a permanent system as described above.

Figure IV-5.1: Secondary Containment System



Secondary Containment System

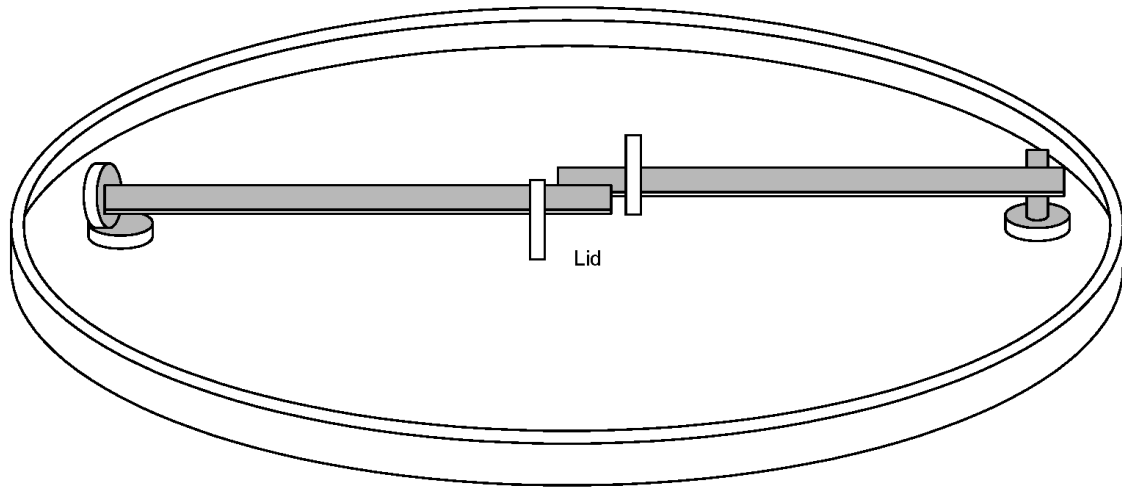
Revised June 2016

Please see <http://www.ecy.wa.gov/copyright.html> for copyright notice including permissions, limitation of liability, and disclaimer.

Applicable Operational BMPs:

- Place tight-fitting lids on all containers.
- Label all containers appropriately. Store containers so that the labels are clearly visible..
- Place drip pans beneath all mounted container taps and at all potential drip and spill locations during filling and unloading of containers.
- Inspect container storage areas regularly for corrosion, structural failure, spills, leaks, overfills, and failure of piping systems. Check containers daily for leaks/spills. Replace containers, and replace and tighten bungs in drums as needed.
- Empty drums containing residues should be stored to prevent stormwater from entering drum closures. Cover or tilt drums to prevent stormwater from accumulating on the top of empty drums and around drum closures.
- Store containers that do not contain free liquids in a designated sloped area with the containers elevated or otherwise protected from stormwater run-on. Comply with local fire code.
- Secure drums when stored in an area where unauthorized persons may gain access in a manner that prevents accidental spillage, pilferage, or any unauthorized use (see [Figure IV-5.2: Locking System for Drum Lid](#)).

Figure IV-5.2: Locking System for Drum Lid



NOT TO SCALE



DEPARTMENT OF
ECOLOGY
State of Washington

Locking System for Drum Lid

Revised June 2016

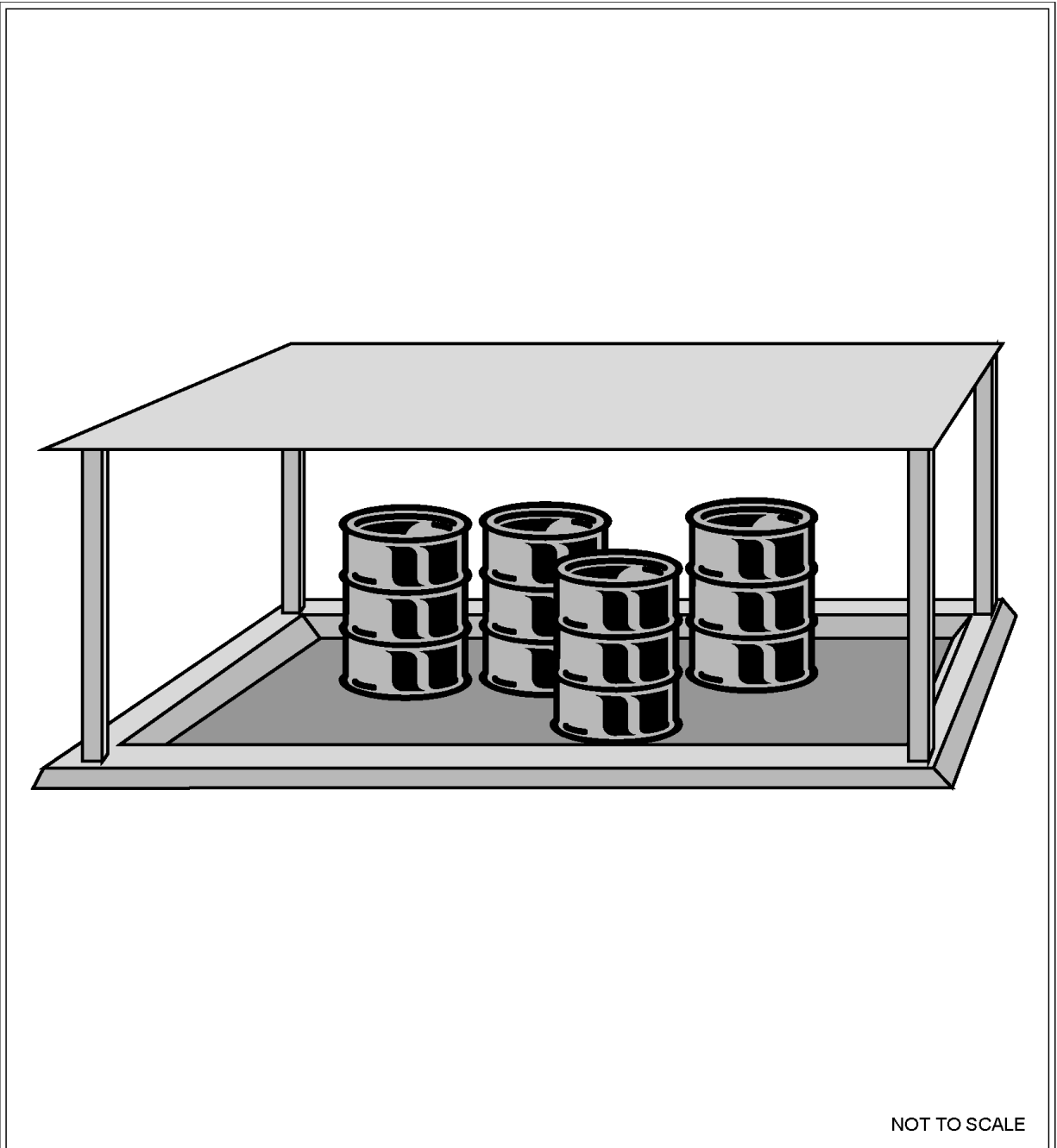
Please see <http://www.ecy.wa.gov/copyright.html> for copyright notice including permissions, limitation of liability, and disclaimer.

- If the material is a Dangerous Waste, the business owner must comply with any additional Ecology requirements as specified in [Ecology Requirements for Generators of Dangerous Wastes](#) within [I-2.15 Other Requirements](#).
- Storage of flammable, ignitable, and reactive chemicals and materials must comply with the stricter of local zoning codes, local fire codes, the Uniform Fire Code (UFC), UFC standards, or the National Electric Code
- Have spill kits or cleanup materials near container storage areas.
- Clean up all spills immediately.
- Cover dumpsters, or keep them under cover such as a lean-to, to prevent the entry of storm-water. Keep dumpster lids closed.
- Replace or repair leaking garbage dumpsters, or install waterproof liners.
- Drain dumpsters and/or dumpster pads to sanitary sewer where approved by the sewer authority.
- When collection trucks directly pick up roll-containers, ensure a filet is on both sides of the curb to facilitate moving the dumpster.

Applicable Structural Source Control BMPs:

- Keep containers with Dangerous Waste, food waste, or other potential pollutant liquids inside a building unless this is not feasible due to site constraints or Uniform/International Fire Code requirements.
- Store containers in a designated area, which is covered, bermed or diked, paved and impervious in order to contain leaks and spills (see [Figure IV-5.3: Covered and Bermed Containment Area](#)). Slope the secondary containment to drain into a dead-end sump for the collection of leaks and small spills.
- For liquid materials, surround the containers with a dike as illustrated in [Figure IV-5.3: Covered and Bermed Containment Area](#). The dike must be of sufficient height to provide a volume of either 10 percent of the total enclosed container volume or 110 percent of the volume contained in the largest container, whichever is greater.

Figure IV-5.3: Covered and Bermed Containment Area



NOT TO SCALE



DEPARTMENT OF
ECOLOGY
State of Washington

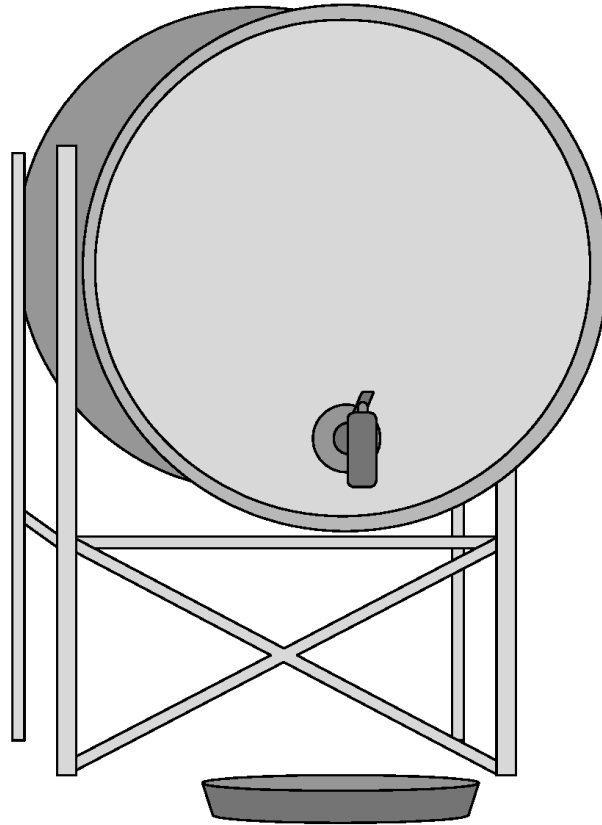
Covered and Bermed Containment Area

Revised June 2016

Please see <http://www.ecy.wa.gov/copyright.html> for copyright notice including permissions, limitation of liability, and disclaimer.

- Where material is temporarily stored in drums, use a containment system as illustrated, in lieu of the above system (see [Figure IV-5.1: Secondary Containment System](#)).
- Place containers mounted for direct removal of a liquid chemical for use by employees inside a containment area as described above. Use a drip pan during liquid transfer (see [Figure IV-5.4: Mounted Container - With Drip Pan](#)).

Figure IV-5.4: Mounted Container - With Drip Pan



*Note that the secondary containment is not shown in this figure

NOT TO SCALE



Mounted Container - with Drip Pan

Revised June 2016

Please see <http://www.ecy.wa.gov/copyright.html> for copyright notice including permissions, limitation of liability, and disclaimer.

the storage area is not under a roof to protect it from rainfall, manage runoff by directing it to a stormwater treatment area. ([FDACS, 2014](#))

S450 BMPs for Irrigation

Description of Pollutant Sources: Irrigation consists of discharges from irrigation water lines, landscape irrigation, and lawn or garden watering. Excessive watering can lead to discharges of chlorinated potable water runoff into drainage systems; it can also cause erosion; and negatively affect plant health. Improper irrigation can encourage pest problems, leach nutrients, and make a lawn completely dependent on artificial watering. Mosquito breeding habitats may form through excessive watering.

Pollutant Control Approach: Limit the amount and location of watering to prevent runoff and discharges to drainage systems.

Applicable Operational BMPs:

- Irrigate with the minimum amount of water needed. Never water at rates that exceed the infiltration rate of the soil.
- Maintain all irrigation systems so that irrigation water is applied evenly and where it is needed.
- Ensure sprinkler systems do not overspray vegetated areas resulting in excess water discharging into the drainage system.
- Inspect irrigated areas for excess watering. Adjust watering times and schedules to ensure that the appropriate amount of water is being used to minimize runoff. Consider factors such as soil structure, grade, time of year, and type of plant material in determining the proper amounts of water for a specific area.
- Inspect irrigated areas regularly for signs of erosion and / or discharge.
- Place sprinkler systems appropriately so that water is not being sprayed on impervious surfaces instead of vegetation.
- Repair broken or leaking sprinkler nozzles as soon as possible.
- Appropriately irrigate lawns based on the species planted, the available water holding capacity of the soil, and the efficiency of the irrigation system.
 - The depth from which a plant normally extracts water depends on the rooting depth of the plant. Appropriately irrigated lawn grasses normally root in the top 6 to 12 inches of soil; lawns irrigated on a daily basis often root only in the top 1 inch of soil.
- Do not irrigate plants during or immediately after fertilizer application. The longer the period between fertilizer application and irrigation, the less fertilizer runoff occurs.
- Do not irrigate plants during or immediately after pesticide application (unless the pesticide label directs such timing).
- Reduce frequency and / or intensity of watering as appropriate for the wet season (October 1 to April 30).

- Place irrigation systems to ensure that plants receive water where they need it. For example, do not place irrigation systems downgradient of plant's root zones on hillsides.

Recommended Operational BMPs:

- Add a tree bag or slow-release watering device (e.g., bucket with a perforated bottom) for watering newly installed trees when irrigation system is not present.
- Water deeply, but infrequently, so that the top 6 to 12 inches of the root zone is moist.
- Use soaker hoses or spot water with a shower type wand when an irrigation system is not present.
 - Pulse water to enhance soil absorption, when feasible.
 - Pre-moisten soil to break surface tension of dry or hydrophobic soils/mulch, followed by several more passes. With this method, each pass increases soil absorption and allows more water to infiltrate prior to runoff.
- Identify trigger mechanisms for drought-stress (e.g., leaf wilt, leaf senescence, etc.) of different species and water immediately after initial signs of stress appear.
- Water during drought conditions or more often if necessary to maintain plant cover.
- Adjust irrigation frequency / intensity as appropriate after plant establishment.
- Annually inspect irrigation systems to ensure:
 - That there are no blockages of sprayer nozzles.
 - Sprayer nozzles are rotating as appropriate.
 - Sprayer systems are still aligned with the plant locations and root zones.
- Consult with the local water utility, Conservation District, or Cooperative Extension office to help determine optimum irrigation practices.
- Do not use chemigation and fertigation in irrigation systems. This will help avoid over application of pesticides and fertilizers.

S424 BMPs for Roof / Building Drains at Manufacturing and Commercial Buildings

Description of Pollutant Sources: Stormwater runoff from roofs and sides of manufacturing and commercial buildings can be sources of pollutants caused by leaching of roofing materials, paints, caulking, building vents, and other air emission sources. Research has identified vapors and entrained liquid and solid droplets/particles as potential pollutants in roof/building runoff. Metals, solvents, acidic/alkaline pH, BOD, PCBs, and organics are some of the pollutant constituents identified.

Ecology has performed a study on zinc in industrial stormwater. The study is presented in *Suggested Practices to Reduce Zinc Concentrations in Industrial Stormwater Discharges* ([Ecology, 2008](#)). The user should refer to this document for more details on addressing zinc in stormwater.

Pollutant Control Approach: Evaluate the potential sources of stormwater pollutants and apply source control BMPs where feasible.

Applicable Operational Source Control BMPs:

- If leachates and/or emissions from buildings are suspected sources of stormwater pollutants, then sample and analyze the stormwater draining from the building.
- Sweep the area routinely to remove any residual pollutants.
- If a roof/building stormwater pollutant source is identified, implement appropriate source control measures such as air pollution control equipment, selection of materials, operational changes, material recycle, process changes, etc.

Applicable Structural Source Control BMPs:

- Paint/coat the galvanized surfaces as described in *Suggested Practices to Reduce Zinc Concentrations in Industrial Stormwater Discharges* ([Ecology, 2008](#)).

Applicable Treatment BMPs:

Treat runoff from roofs to the appropriate level. The facility may use Enhanced Treatment BMPs as described in [III-1.2 Choosing Your Runoff Treatment BMPs](#). Some facilities regulated by the Industrial Stormwater General Permit, or local jurisdiction, may have requirements that cannot be achieved with Enhanced Treatment BMPs. In these cases, additional treatment measures may be required. A treatment method for meeting stringent requirements such as Chitosan-Enhanced Sand Filtration may be appropriate.

S432 BMPs for Wood Treatment Areas

Description of Pollutant Sources: Wood treatment includes both anti-staining and wood preserving using pressure processes or by dipping or spraying. Wood preservatives include creosote, creosote/coal tar, pentachlorophenol, copper naphthenate, arsenic trioxide, malathion, or inorganic arsenicals such as chromated copper arsenate, acid copper chromate, chromate zinc chloride, and

S442 BMPs for Labeling Storm Drain Inlets On Your Property

Description of Pollutant Sources: Waste materials dumped into storm drain inlets can have severe impacts on receiving waters. Posting notices regarding discharge prohibitions at storm drain inlets can prevent waste dumping. Storm drain signs and stencils are highly visible source controls that are typically placed directly adjacent to storm drain inlets.

Pollutant Control Approach: The stencil, affixed sign, or metal grate contains a brief statement that prohibits dumping of improper materials into the urban runoff conveyance system. Storm drain messages have become a popular method of alerting the public about the effects of and the prohibitions against waste disposal.

Applicable Operational BMPs:

- Label storm drain inlets in residential, commercial, industrial areas, and any other areas where contributions or dumping to storm drains is likely.
- Stencil or apply storm drain markers adjacent to storm drain inlets to help prevent the improper disposal of pollutants. Or, use a storm drain grate stamped with warnings against polluting.
- Place the marker in clear sight facing toward anyone approaching the inlet from either side.
- Use a brief statement and / or graphical icons to discourage illegal dumping. Examples include:
 - “No Dumping – Drains to Stream”
 - “No Pollutants – Drains to Puget Sound”
 - “Dump No Waste – Drains to Lake”
 - “No Dumping – Puget Sound Starts Here”
- Check with your local government agency to find out if they have approved specific signage and / or storm drain message placards for use. Consult the local agency stormwater staff to determine specific requirements for placard types and methods of application.
- Maintain the legibility of markers and signs. Signage on top of curbs tends to weather and fade. Signage on face of curbs tends to be worn by contact with vehicle tires and sweeper brooms.
- When painting stencils or installing markers, temporarily block the storm drain inlet so that no pollutants are discharged from the labeling activities.

Optional Operational BMPs:

Use a stencil in addition to a storm drain marker or grate to increase visibility of the message.

Reference for this BMP: [\(CASQA, 2003\)](#)

Figure IV-7.6: Storm Drain Inlet Labels



Storm Drain Inlet Labels

Revised October 2017

Please see <http://www.ecy.wa.gov/copyright.html> for copyright notice including permissions, limitation of liability, and disclaimer.

slurry.

- Equip the driller to quickly respond to unusual conditions that may arise.
- Locate and prepare access roadways to minimize the amount of excavation and the potential for erosion.
- Contain accumulated uncontaminated water and sediment on site and pump into a storage tank or direct through a geotextile filtration system (or equivalent system) before discharging to the surrounding ground surface. Contaminants may include, but are not limited to, hydraulic fluids, contaminants in the soil and/or groundwater, polymers, and other drilling fluid additives.
- Keep all sediment-laden water out of storm drains and surface waters. If sediment-laden water does escape from the immediate drilling location, block flow to any nearby waterways or catch basins using fabric, inlet protections, sand bags, erosion fences, or other similar methods. Immediately notify Ecology and the local jurisdiction if sediment-laden water impacts the storm sewer system or surface waters.
- Divert any concentrated flows of water into the site using sandbags or check dams up-slope from the site.
- Dispose of soil cuttings and accumulated sediment appropriately. If cuttings or other soils disturbed in the drilling process are to be temporarily stockpiled on site, they must be covered and surrounded by a berm or filter device. See [S429 BMPs for Storage or Transfer \(Outside\) of Solid Raw Materials, Byproducts, or Finished Products](#).
- Stabilize exposed soils at the end of the job, using mulch or other erosion control measures. See [S425 BMPs for Soil Erosion and Sediment Control at Industrial Sites](#).
- Contain spent drilling slurry on site and allow it to dewater, or haul to an appropriate, approved disposal site.
- Restore disturbed areas with mulch (see [BMP C121: Mulching](#)) and seeding or hydroseeding (see [BMP C120: Temporary and Permanent Seeding](#)).

S447 BMPs for Roof Vents

Description of Pollutant Sources: This activity applies to processes that vent emissions to the roof and/or the accumulation of pollutants on roofs. Processes of special concern are stone cutting, metal grinding, spray painting, paint stripping, galvanizing and electroplating. Pollutants from these processes may build up on roofs and may pollute stormwater roof runoff.

Pollutant Control Approach: Evaluate the potential sources of stormwater pollutants and apply source control BMPs where feasible.

Applicable BMPs:

- Identify processes that are vented and may contribute pollutants to the roof. Pollutants of concern include and are not limited to:

- Metal dust
 - Grease from food preparation
 - Solvents
 - Hydrocarbons
 - Fines
 - Stone dust
- Look for chemical deposition around vents, pipes, and other surfaces.
 - Install and maintain appropriate source control measures such as air pollution control equipment (filters, scrubbers, and other treatment). ([City of San José Environmental Services, 2004](#))
 - Check that your scrubber solution is appropriate for the chemistry of the fumes.
 - Install vent covers and drip pans where there are none.
 - Prevent leaks in pipefittings and containment vessels with routine maintenance.
 - Consider instituting operational or process changes to reduce pollution.
 - If proper installation and maintenance of air pollution control equipment does not prevent pollutant fallout on your roof, additional treatment of the roof runoff may be necessary.
 - Install/provide appropriate devices for roof runoff before it is discharged off site. This may include approved water quality treatment BMPs or structural stormwater treatment systems.
 - Maintain air filters and pollution control equipment on a regular basis to ensure they are working properly. (The smell of odors from outside the building indicates that the pollution control equipment may need maintenance or evaluation.)
 - When cleaning accumulated emissions from roof tops, collect the washwater and loose materials using a sump pump, wet vacuum or similar device. Discharge the collected runoff to the sanitary sewer after approval by the local sewer authority, or have a waste disposal company remove it.

S451 BMPs for Building, Repair, Remodeling, Painting, and Construction

Description of Pollutant Sources: This activity refers to:

- The construction of buildings and other structures.
- Remodeling of existing buildings and houses.
- General exterior building repair work.