

1511 THIRD AVENUE
SUITE 323
SEATTLE, WA 98101
TEL 206.957.3900
FAX 206.957.3901
www.quantumce.com

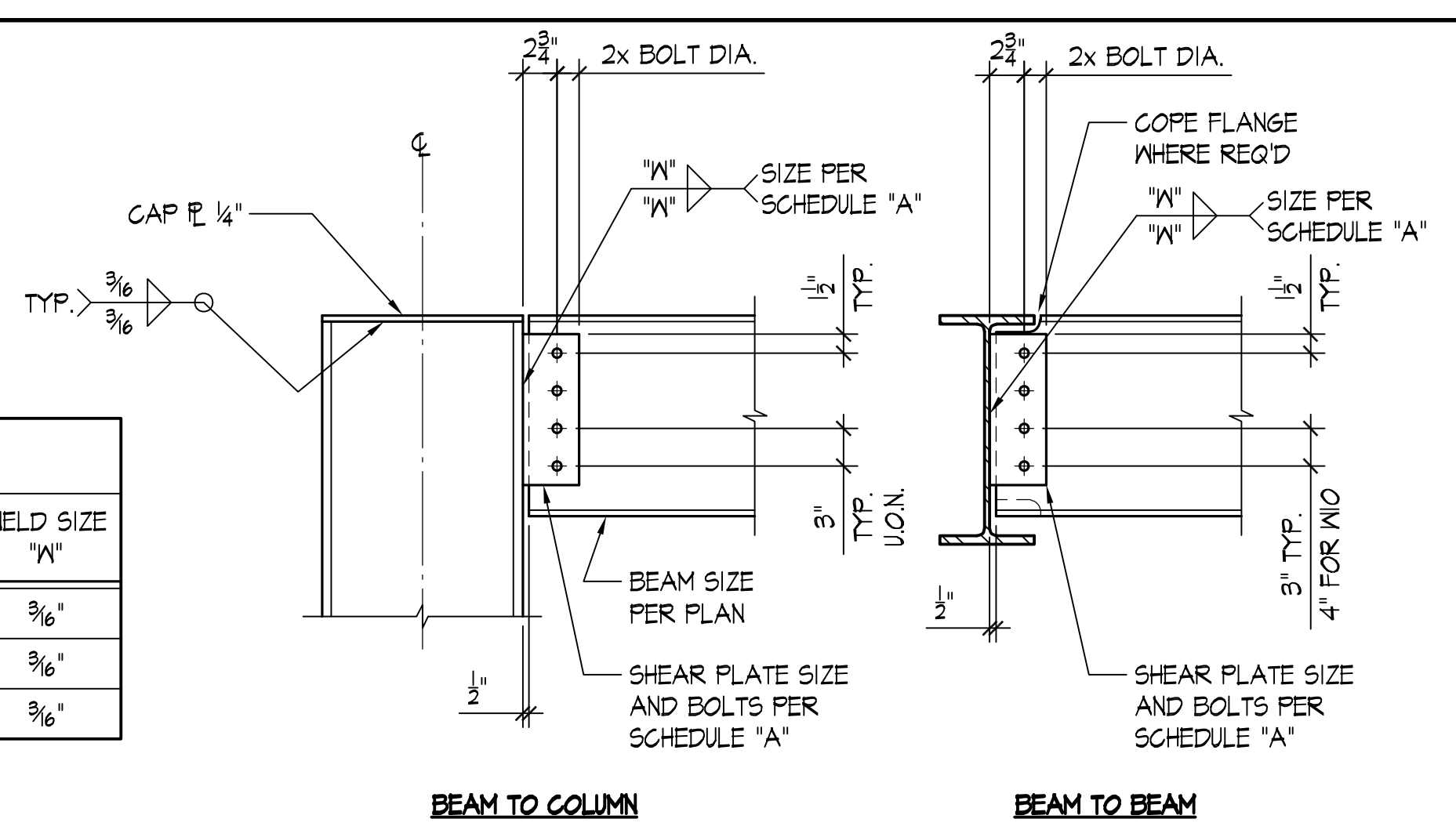


Centers for Information Systems

BOLTED BEAM CONNECTION SCHEDULE "A"

BEAM SIZE	NO. OF BOLTS	BOLT * SIZE	PLATE * THICKNESS	WELD SIZE "W"
W8, C8	(2)	3/8" φ	1/4"	3/16"
W10**	(2)	3/8" φ	1/4"	3/16"
W12	(3)	3/8" φ	1/4"	3/16"

- * BOLT TYPE = A325N
* MATERIAL = A36
- ** BOLTS SHALL BE AT 4" O.C. SPACING FOR W10 BEAMS.



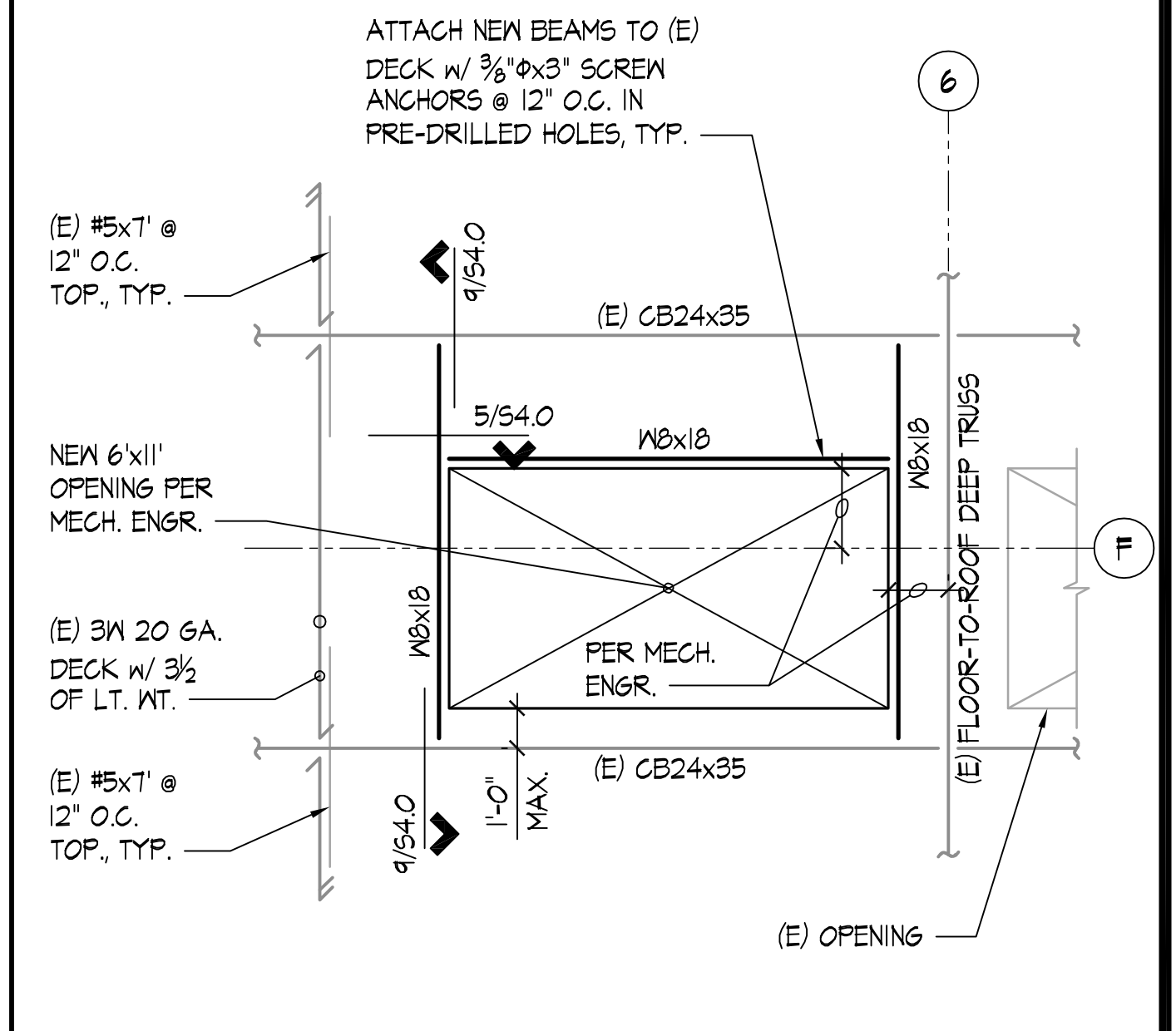
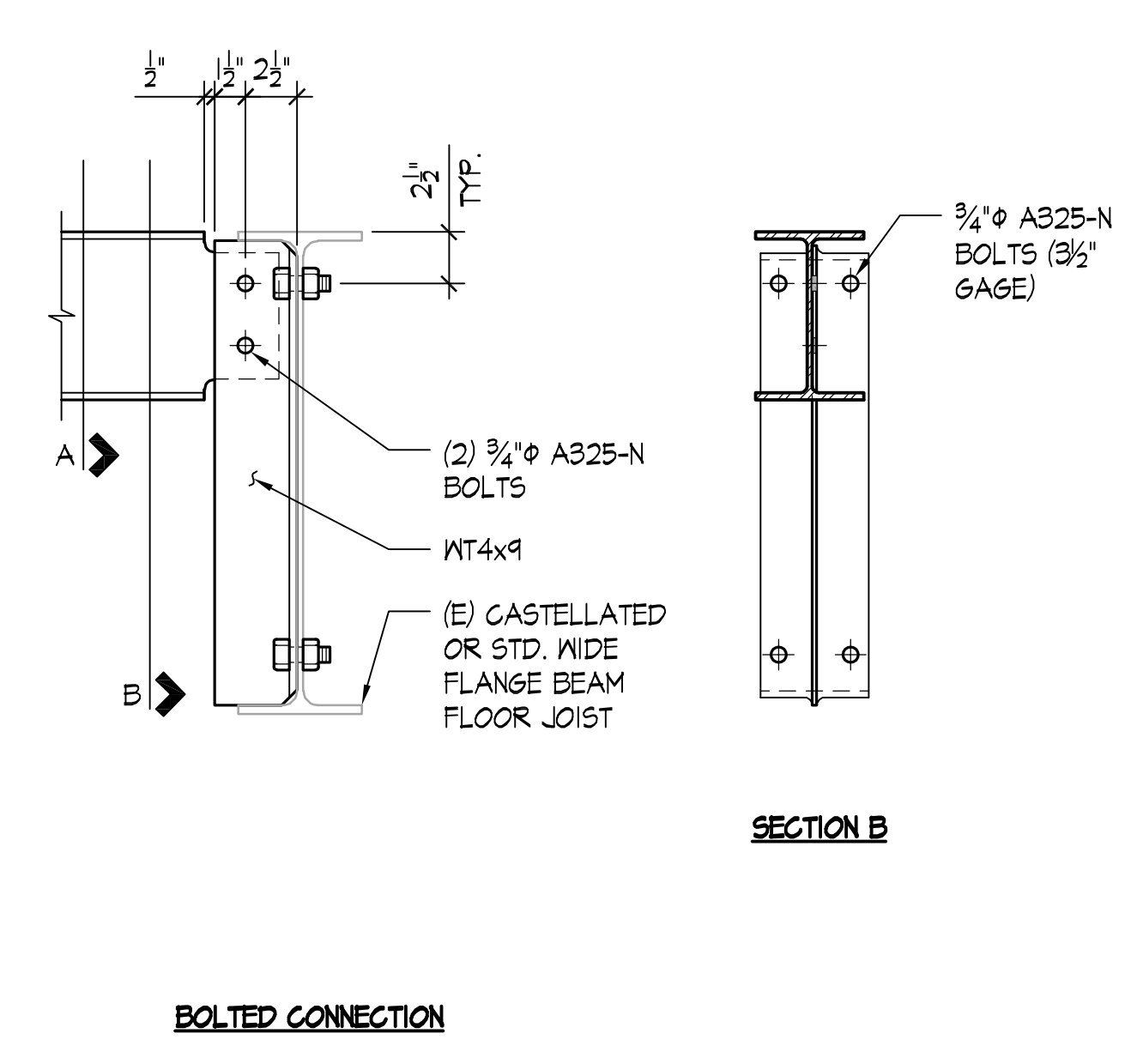
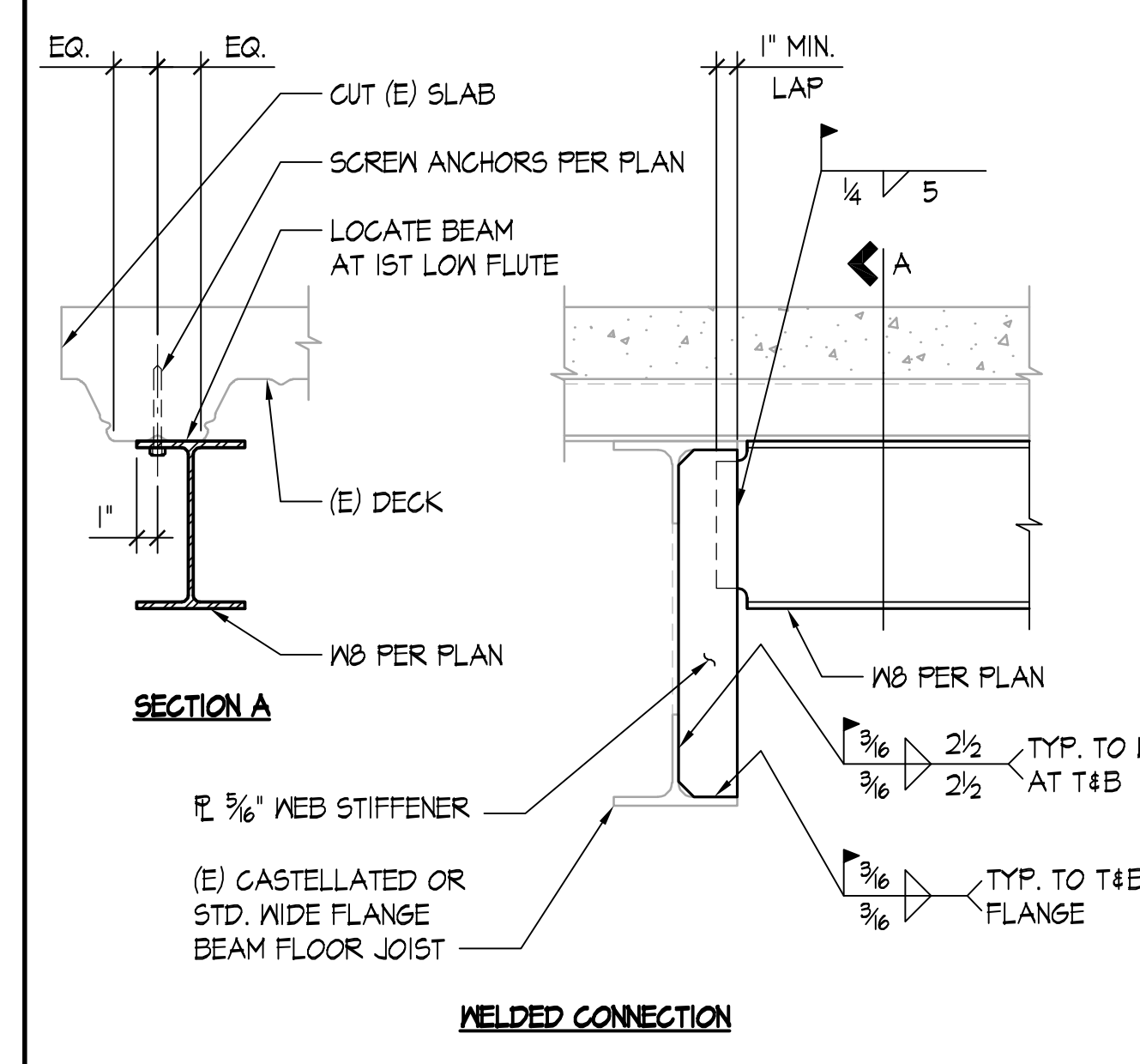
- NOTES:**
- FOR BEAM TO COLUMN WEB CONNECTION FOR W14 AND SMALLER COLUMNS SEE TYPICAL BEAM TO COLUMN WEB CONNECTION DETAIL.
 - FIELD WELD AT SIMILAR CONDITION.
 - 1/4" VERTICAL WELD (SHEAR PLATE TO BEAM) MAY BE USED IN PLACE OF BOLTS.

DETAIL SCALE: NONE |

DETAIL SCALE: NONE | **2**

DETAIL SCALE: NONE | **3**

TYPICAL BOLTED BEAM CONNECTION DETAIL SCALE: NONE | **5**

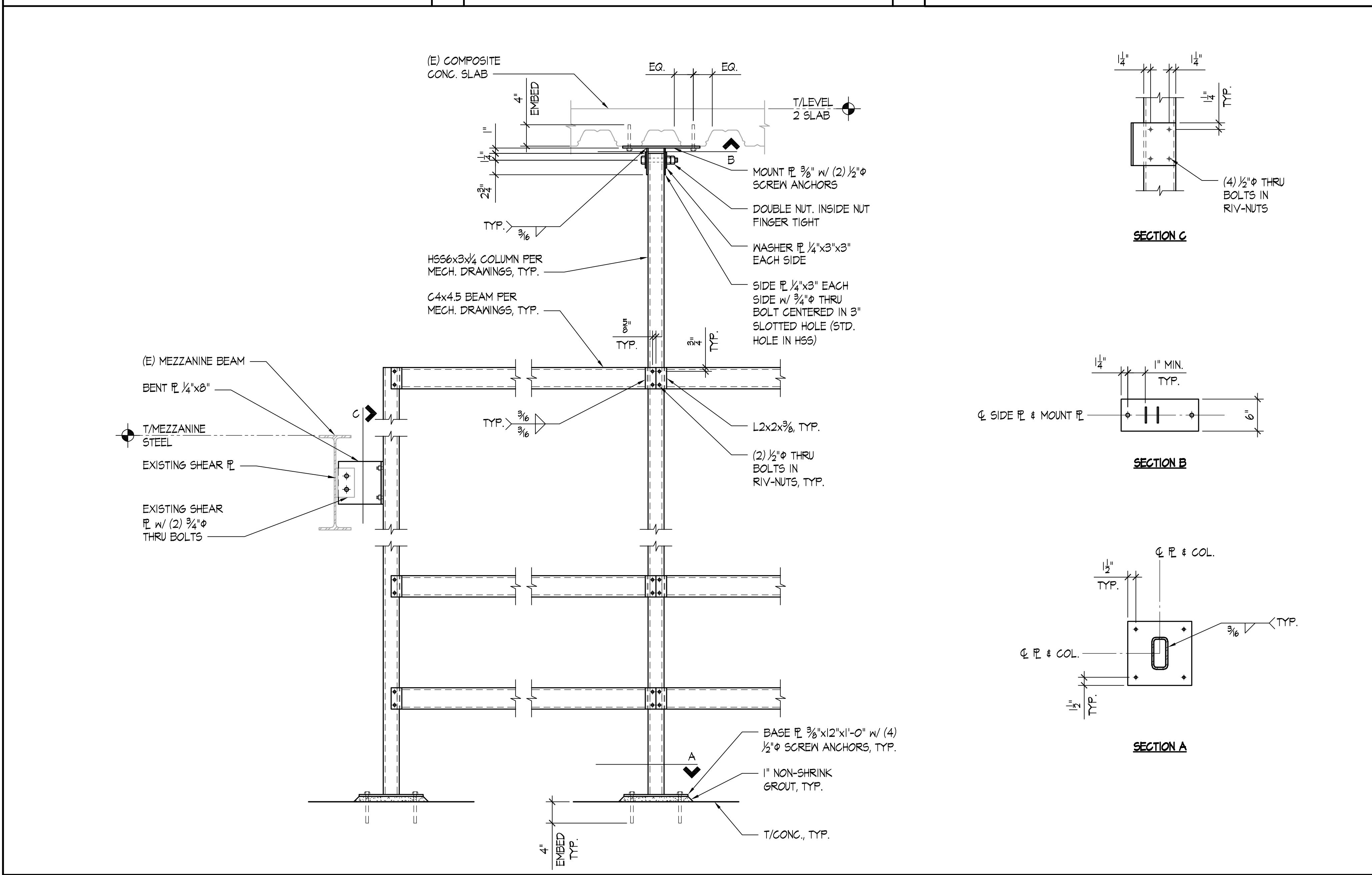


DETAIL SCALE: NONE | **6**

DETAIL SCALE: NONE | **7**

TYPICAL W8 CONNECTION TO (E) FLOOR BEAM SCALE: NONE | **9**

NEW FLOOR OPENING SUPPORT AT 3RD FLOOR RAU'S SCALE: NONE | **10**

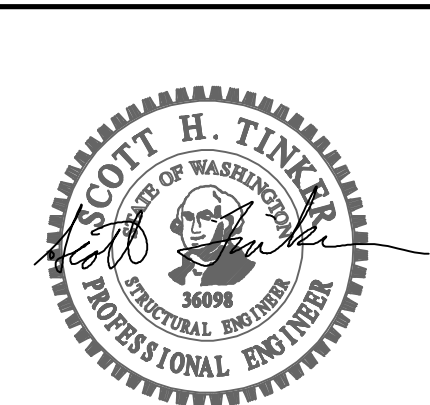


FULL SIZED LEDGIBLE COLOR PLANS ARE REQUIRED TO BE PROVIDED BY THE PERMITTEE ON SITE FOR ALL INSPECTIONS (MIN. PLAN SIZE 24" X 36")

City of Puyallup Building Accepted

JMontgomery
03/06/2024
12:48:17 PM

PRMH20240272



PROJECT:
CENTERIS DATA CENTERS - TI

1023 39TH AVENUE
SOUTHEAST
PUYALLUP, WASHINGTON

City of Puyallup Development & Permitting Services ISSUED PERMIT

Building	Planning
Engineering	Public Works
Fire	Traffic

PERMIT SET	DATE		
NO.	DESCRIPTION	DATE	BY
ISSUES:		REVISIONS: /	
P.M.	SHT		
P.E.	TVM		
DRAWN BY:	SC		
SCALE:	AS SHOWN		
DATE:	2/14/24		
JOB NO.	23444.01		
SHEET TITLE:			

FAN WALL ANCHORAGE SCALE: NONE | **18**

DETAIL SCALE: NONE | **19**

DETAIL SCALE: NONE | **20**

DETAIL SCALE: NONE | **18**

DETAIL SCALE: NONE | **20**

S4.0

File: 612-4850.dwg - Printed: 03/14/24 02:17 PM