

**SITE PLAN**  
SCALE: 1" = 50'

**SITE SPECIFIC NOTES**

- SW1 (SOURCE SIDE) GRID# 568785-155506:**  
 -EX PM SWITCH, SW# P6089  
 -REPL (3) 750 AL PRI TERMS 6041.3000 TER750C 1-18A  
 -DISCONNECT CABLE#S 8812, 8813, 8814  
 -INST CABLE#S EIL555, EIL556, EIL557
- PO1 (LOAD SIDE) GRID# 568777-155514:**  
 -EX (2000) 45' CL1 POLE  
 -EX 3PH DE ASSEMBLY  
 -EX 3PH TERM, SW# P251 6041.3000 TER750C 1-18A  
 -REPL (3) 750 AL PRI TERMS 6042.1000 RIS6CSS 1-8A  
 -REPL 0" PRI RISER ON S/O BRACKETS, (ACTUAL= \_\_\_)  
 -DISCONNECT CABLE#S 8812, 8813, 8814  
 -INST CABLE#S EIL555, EIL556, EIL557

**SPAN SPECIFIC NOTES**

- SW1-PO1:**  
 -ABANDON (3) 750 AL STR JACKETED PRI CABLES & 4/0 NEUTRAL +/- 200' (ACTUAL= \_\_\_) 1-18 (2)  
 -INST (3) 750 AL STR JACKETED PRI CABLES, ± 200', (ACTUAL= \_\_\_) 1-20C (200')  
 IN PSE PROVIDED FUSE & 0" SCH80/DB-120 CONDUIT  
 W/ 3/8" POLY PULL ROPE

**CREW NOTES**

- SWITCH TO RETURN SYSTEM TO NORMAL
- CALL SYSTEM OPERATOR TO CLOSE O#927096

**POWER GENERAL NOTES**

- All materials to be installed in accordance with Puget Sound Energy's (PSE) standards. Any deviation from this work sketch must be AUTHORIZED by PSE's Project Manager and NOTED on the Foreman's Copy.
- All switching arrangements and/or outage arrangements are to be made with the Project Manager at least three (3) working days in advance.
- Contact the Utilities Underground Location Center (1-800-424-5555) at least 48 hours prior to commencing work to get the underground facilities located.
- All work is to be done in accordance with local municipal and county permit requirements as applicable.
- Inclement weather conditions may cause delays in construction times and dates.

**ABANDONED / REMOVE / REPLACED CABLE SCHEDULE**

CABLE NO.	SAP EQUIP	LOCATIONS FROM TO	CABLE (LF) EST	EXISTING CABLE MFG. NAME	EXISTING CABLE MFG. DATE	CABLE REPLACED?	NEW CABLE NUMBER
6812	10635084	SW1 P01	200'			Y	EIL555
6813	10635095	SW1 P01	200'			Y	EIL556
6814	10635106	SW1 P01	200'			Y	EIL557
<b>TOTAL</b>							
<b>600'</b>							

**FOREMAN MUST FILL IN**

CABLE #: EIL555  
 MANUFACTURER: \_\_\_\_\_  
 YEAR MANUFACT: \_\_\_\_\_  
 COMPOUND: \_\_\_\_\_

**FOREMAN MUST FILL IN**

CABLE #: EIL556  
 MANUFACTURER: \_\_\_\_\_  
 YEAR MANUFACT: \_\_\_\_\_  
 COMPOUND: \_\_\_\_\_

**FOREMAN MUST FILL IN**

CABLE #: EIL557  
 MANUFACTURER: \_\_\_\_\_  
 YEAR MANUFACT: \_\_\_\_\_  
 COMPOUND: \_\_\_\_\_

Approved change of plans - LL 02/14/2024

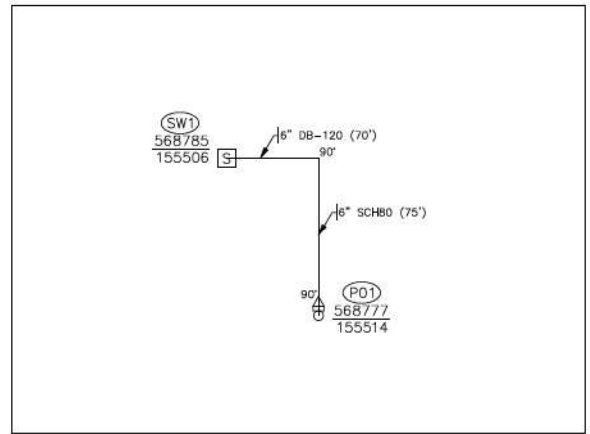
PRFUP20231611

The applicant is responsible to notify the city of a job start 48 hours in advance using the CityView portal.

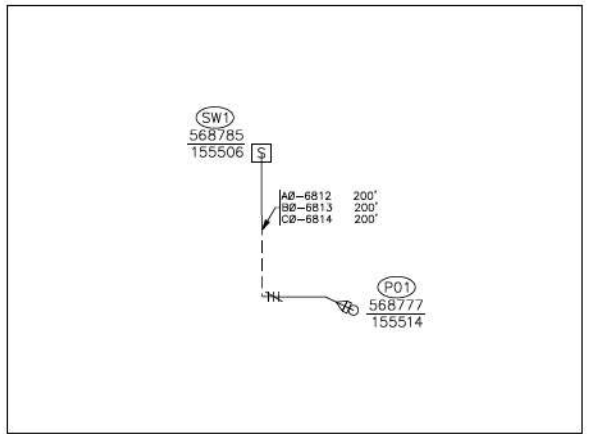
The permit and traffic control plans shall be posted at the job site and available to inspectors at all times.

**\*\* Public notification shall comply with PMC Chapter 11.05.110 \*\***

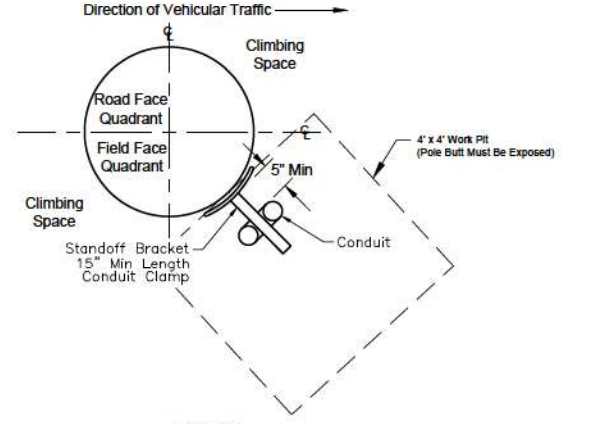
A 10" diameter core drill is allowed for potholing. All potholes up to a 10" diameter shall be backfilled with CDF to within 4" of finished grade. 4" HMA shall then be placed and compacted, flush with existing grade



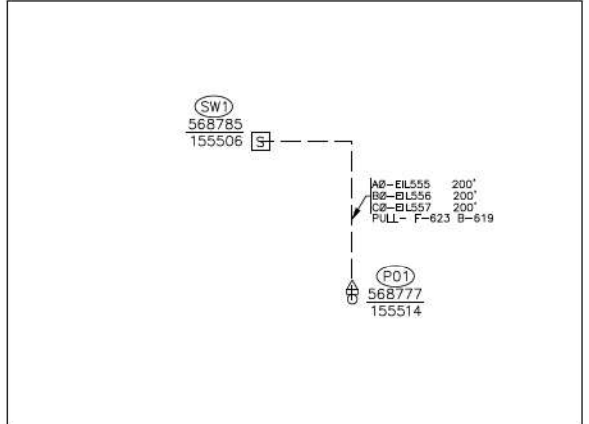
**CONDUIT DIAGRAM**  
SCALE: NONE



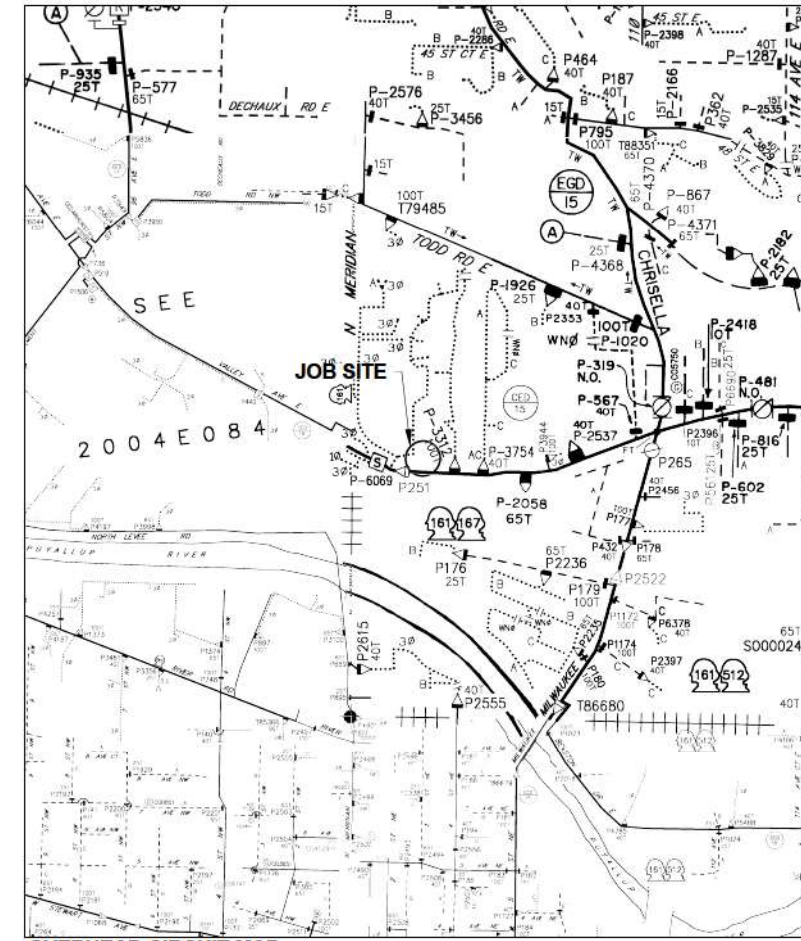
**PRIMARY ONE-LINE & UG MAP: BEFORE**  
SCALE: NONE



**CONDUIT RISER PLACEMENT DETAIL (P01)**  
SCALE: NONE



**PRIMARY ONE-LINE & UG MAP: AFTER**  
SCALE: NONE



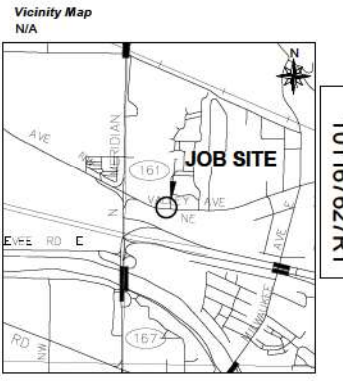
**OVERHEAD CIRCUIT MAP**  
SCALE: 0" = 1 MILE

**FOREMAN (CHECK BOX WHEN COMPLETED)**

PSE Equipment LOCKED/SECURED & Work Area left in CLEAN/SAFE Condition.  
 Grid, Cable, and Switch numbers INSTALLED & VERIFIED.  
 Field Changes RECORDED on AS-BUILT.  
 Material VERIFIED and CHANGES noted on Paperwork.  
 Total PRIMARY Cable noted on AS-BUILT.  
 Company ID#S RECORDED in correct location on AS-BUILT.  
 Indicate correct FUSE SIZE on AS-BUILT & VERIFY proper PHASE.  
 Deviations noted on the AS-BUILT and their reason.

I certify that the work performed meets PSE's standards and procedures and that all quality requirements are met.

Foreman's Signature: \_\_\_\_\_  
 Print Name: \_\_\_\_\_ Date: \_\_\_\_\_



**Owner / Developer Contact Info**

PSE  
 5807 Milwaukee Ave E  
 Puyallup, WA 98372  
 ATTN: Victor Alfaro 360-522-0556 office  
 E-Mail: Victor.Alfaro@pse.com

PROJECT PHASE	NOTIF#	ORDER#
PWR Superior	11962026	101167627
Ug Pri Removal		108150778

**Project Manager Contact Information:**  
 Manager: Victor Alfaro  
 Cell Phone: 360-522-0566  
 E-Mail: Victor.Alfaro@pse.com

**CALL 811 TWO BUSINESS DAYS BEFORE YOU DIG**

THIS SKETCH NOT TO BE RELIED UPON FOR EXACT LOCATION OF EXISTING FACILITIES

REV#	DATE	BY	DESCRIPTION	ENGR - GAS	ENGR - POWER	DATE
3	N/A	N/A	N/A	N/A	N/A	N/A
2	N/A	N/A	N/A	N/A	N/A	N/A
1	2/13/24	J.MARKER	Bore in new conduit & replace riser	Victor Alfaro	Victor Alfaro	10/2/23

UTILITIES	CONTACT	PHONE#	UTILITIES	CONTACT	PHONE#
N/A	N/A	N/A	N/A	N/A	N/A
N/A	N/A	N/A	N/A	N/A	N/A
N/A	N/A	N/A	N/A	N/A	N/A

**PUGET SOUND ENERGY**

2004E087 CED-15 CREW2 O#927096  
 REPL B/O FEEDER CABLES  
 300 VALLEY AVE E, PUYALLUP, WA 98372

INCIDENT O#927096  
 Gas Order N/A  
 Elect Order 101167627R1

SCALE: 1:50  
 PAGE: 1/1