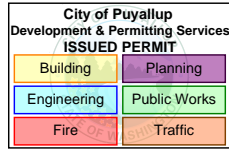
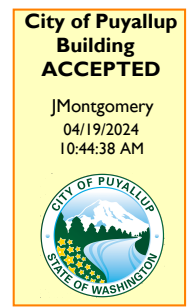
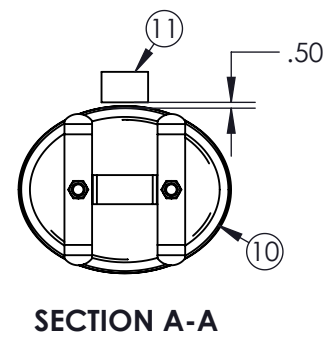
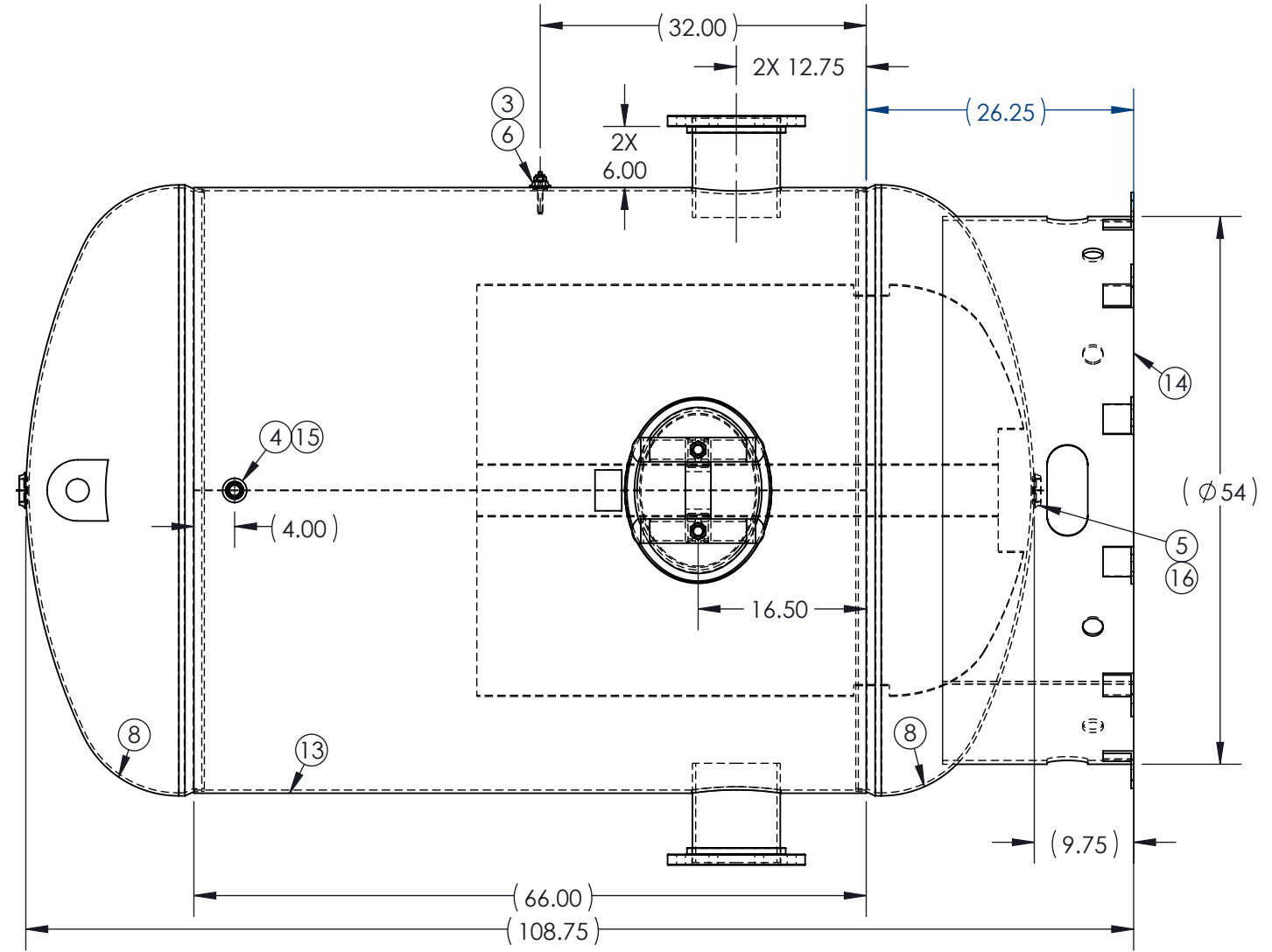
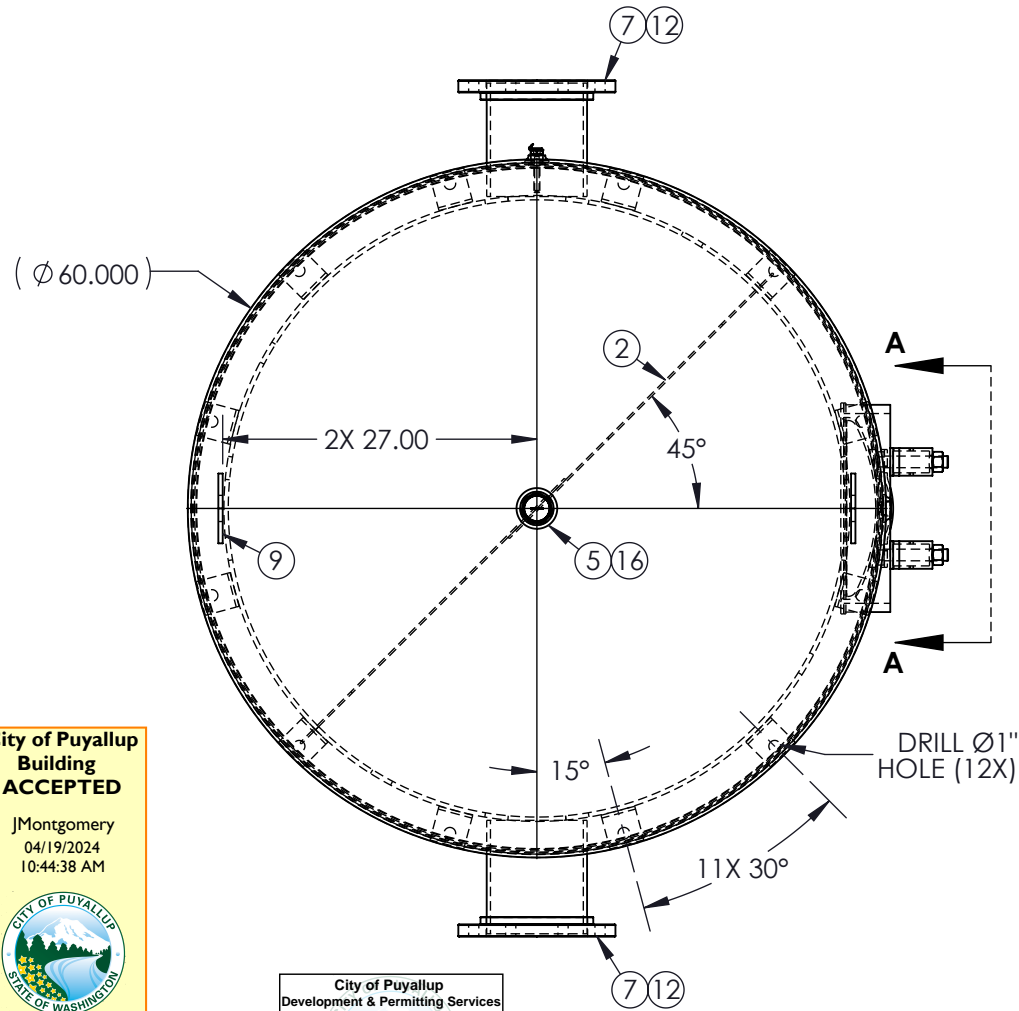


ITEM	PART #	DESCRIPTION	QTY.	ITEM	PART #	DESCRIPTION	QTY.
1	100163500	ANGLE,3"X3"X1/4X3"LG,STL,SA-36	12	9	100159604	LUG,LIFT,P1,VERT,6"X6",RAD,3/8"	2
2	100354088	BAFFLE,60"TANK,1250GAL,P-1	1	10	100162557	MANWAY,12X16X3/4X4,SA106C	1
3	100170655	BULB WELL,ASSY	1	11	100162761	NAMEPLATE,BLANK,ASME,SA36	1
4	100169684	FLANGE,1"NPT,FLAT,3M,SA181-70	1	12	100134235	PIPE,8"X9.75"LG,SCH40,SA53B-ERW	2
5	100169656	FLANGE,2"NPT,FLAT,3M,SA181-70	2	13	100299455	PLT,.313"X87"X186-7/8,STL,SA516-70	1
6	100169688	FLANGE,3/4"NPT,FLAT,3M,SA181-70	1	14	100296136	PLT,3/8,STL,SA-36,60.00"X105.00"	1
7	100169758	FLG,8",FFSO,150#,SA105	2	15	100162844	PLUG,HOLE,1"NPT,PLASTIC	1
8	100169826	HEAD,60"DIA,BL.,.294THK,SA516-70,2:1,JOG	2	16	100162847	PLUG,HOLE,2"NPT,PLASTIC	2

REVISIONS - LAST SAVED: Thursday, February 1, 2024 2:37:46 PM					
REV.	DESCRIPTION	PROCESS NO.	CHANGE NO.	DATE	REV BY
A	CUSTOMER APPROVAL	SALES-336	BM	2/1/2024	J. TANNAHILL

NOTES:
 BUILT FOR 125 PSI WORKING PRESSURE.
 CONSTRUCTED IN ACCORDANCE WITH THE LATEST MANDATORY EDITION
 OF THE ASME BOILER & PRESSURE VESSEL CODE SECTION VIII DIV. I.
 U STAMPED.
 HYDRO TEST @ 163 PSI.
 BOLT HOLES TO STRADDLE CENTERLINE.



PRMH20240593

FULL SIZED LEDGIBLE COLOR PLANS ARE REQUIRED TO BE PROVIDED BY THE PERMITTEE ON SITE FOR ALL INSPECTIONS (MIN. PLAN SIZE 24" X 36")

CUSTOMER APPROVAL

DATE: _____ APPROVED BY: _____

EFFICIENCY	MAWP= 125 PSI @ 210° F
SHELL - 70%	MDMT= 0° F @ 125 PSI
HEAD - 85%	RT=N/A
	NDE=N/A
	CA=N/A
	HT/PHT=N/A
FOR NON CORROSIVE SERVICE	

Any Material, Component, Or Vendor Change Must Have Prior Approval By The Applicable Product Engineering Department.		Critical Characteristic For Inspection Purposes: <input type="checkbox"/>	Dimensions in INCHES unless noted. Tolerances Unless Otherwise Noted: Angles: ±1° Fractions: +1/16 Decimals: (2 Pl) ±.03 (3 Pl) ±.005	<p>Lochinvar, LLC 300 Maddox Simpson Parkway Lebanon, Tennessee 37090 P: 615.889.8900 F: 615.547.1000 www.Lochinvar.com High Efficiency Boilers & Water Heaters</p>
Confidential: This drawing and its information are the exclusive and confidential property of A.O. Smith Corp. and are not to be disclosed, duplicated, distributed, or otherwise used without the written consent of A.O. Smith Corp. All rights reserved. ©	Scale: NTS			
Drawn: J. TANNAHILL	Material:	Part Desc: CVL1050-805282		
Date: 02/01/2024	Finish:	Part No: CUSTOMER APPROVAL		
DWG / DIR No: 2000805282	Ver: 00	DWG / DIR Desc: CVL1050-805282	Sht: 1 Of: 3	Rev: