

NOTES

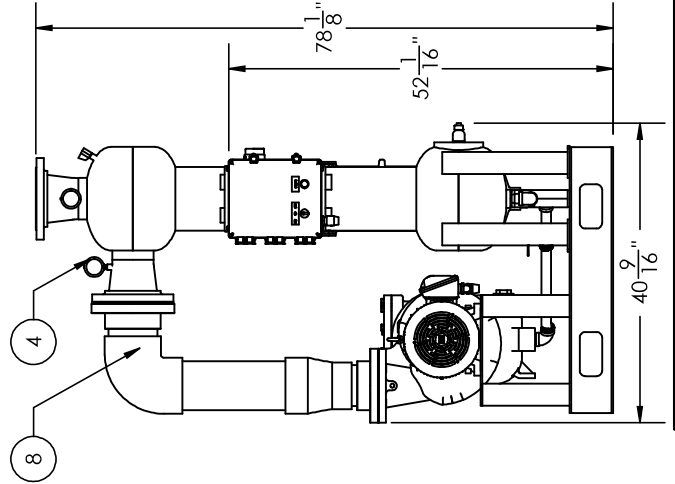
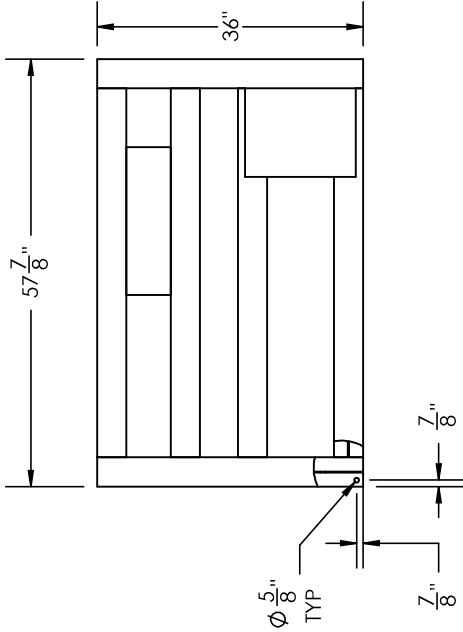
- 1) ALL DIMENSIONS GIVEN IN INCHES UNLESS OTHERWISE SPECIFIED.
- 2) MAX OPERATING PRESSURE: 150 PSI
- 3) TANK CONSTRUCTION: CARBON STEEL
- 4) EXTERIOR: EPOXY/POWDER COATED
- 5) APPROXIMATE MASS: 1202 LBS

#	COMPONENT
1	NEMA 4X, UL, 460V/3PH/60HZ CONTROL PANEL
2	SEPARATOR: 5" ICS, COATED CARBON STEEL
3	PUMP: 10HP 3600RPM, 460/3/60, 850 GPM @ 35' TDH
4	INLET/OUTLET PRESSURE GAUGES: 2.5" 0-160 PSI, LIQ FILLED
5	BAG FILTER: 100GPM CARBON STEEL HOUSING
6	BAG CHANGE INDICATOR: MIDWEST #555-043
7	BASE: COATED CARBON STEEL I-BEAM
8	FACE PIPE: 6" PVC SCH 80

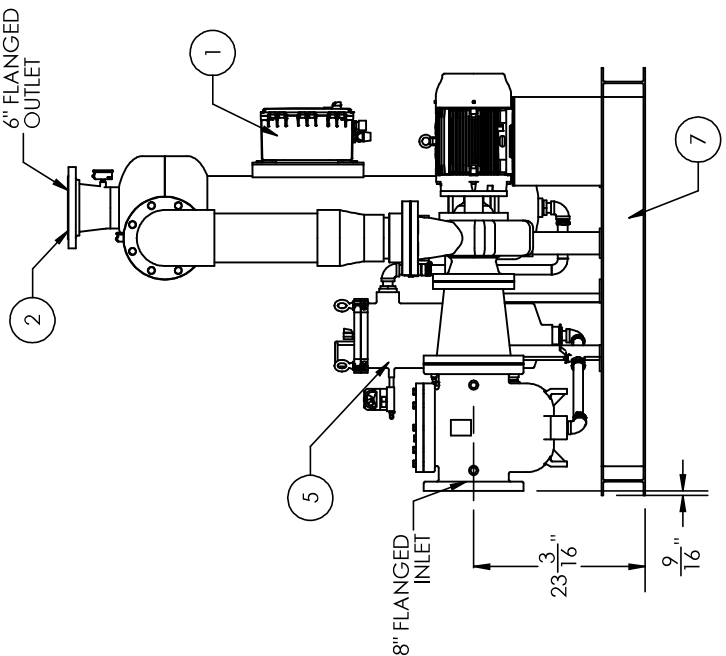
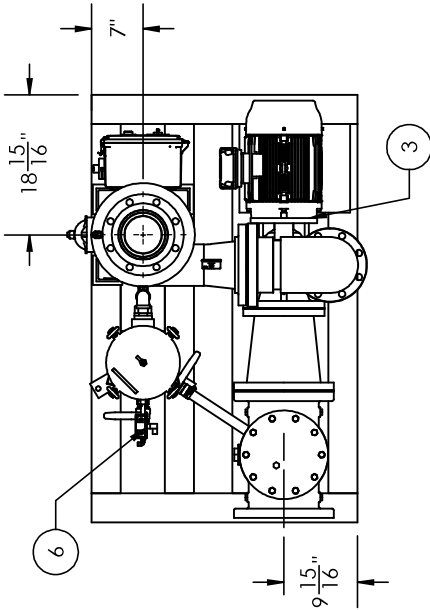


THIS DRAWING, AND THE INFORMATION CONTAINED HEREIN IS THE PROPERTY OF AMIAD WATER SYSTEMS. ANY USE OR REPRODUCTION THEREOF WITHOUT THE WRITTEN PERMISSION OF AMIAD WATER SYSTEMS ENGINEERING DEPARTMENT IS STRICTLY PROHIBITED.

DRAWING DATE:	8/1/2018	DRAWING TITLE:	ICSR 850 GPM LH WITH FACE PIPING AND PUMP
SCALE:	1:26	DRAWING NUMBER:	200290-000018 LH-R 850GPM
SHEET 1 OF 3		CAT NUMBER:	200290-000018
DRAWN BY:	BJH	REV. NO.:	0
CHECKED BY:		GENERAL TOLERANCES:	ANGULAR ± 1° FRACTIONAL ± 1/8" DEC: ± 0.05"; 3 PL ± 0.010"
APPROVED BY:		(EXCEPT AS NOTED)	



FULL SIZED LEDGIBLE COLOR PLANS ARE REQUIRED TO BE PROVIDED BY THE PERMITTEE ON SITE FOR ALL INSPECTIONS (24" X 36" PLAN SIZE MIN.)



NO.	REVISION NOTES	DATE	BY
1			
2			
3			
4			
5			