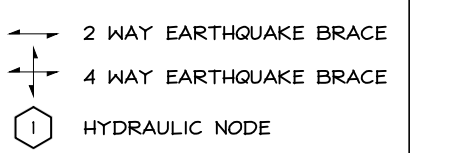


# SCOPE OF WORK

KNIGHT FIRE PROTECTION TO MODIFY THE EXISTING FIRE SPRINKLER SYSTEM TO ACCOMMODATE NEW WALLS AND CEILINGS PER THE TENANT IMPROVEMENT IN THE EXISTING BUILDING PER NFPA 13.

HANGER LEGEND	
A	ALL THREAD ROD
B	TOP-BEAM CLAMP
C	SWIVEL CLAMP
D	FLUSH SHELL
E	CEILING FLANGE
F	SIDE BEAM BRACKET
J	WEDGE ANCHOR
K	TRAPEZE
Y	SAMMY SCREW

FITTING LEGEND	
ST	STRAP TEE
S	SOCK-IT
MT	MECHANICAL TEE
P	PIPE-O-LET
SN	SHAPED NIPPLE
W	WELD FITTING

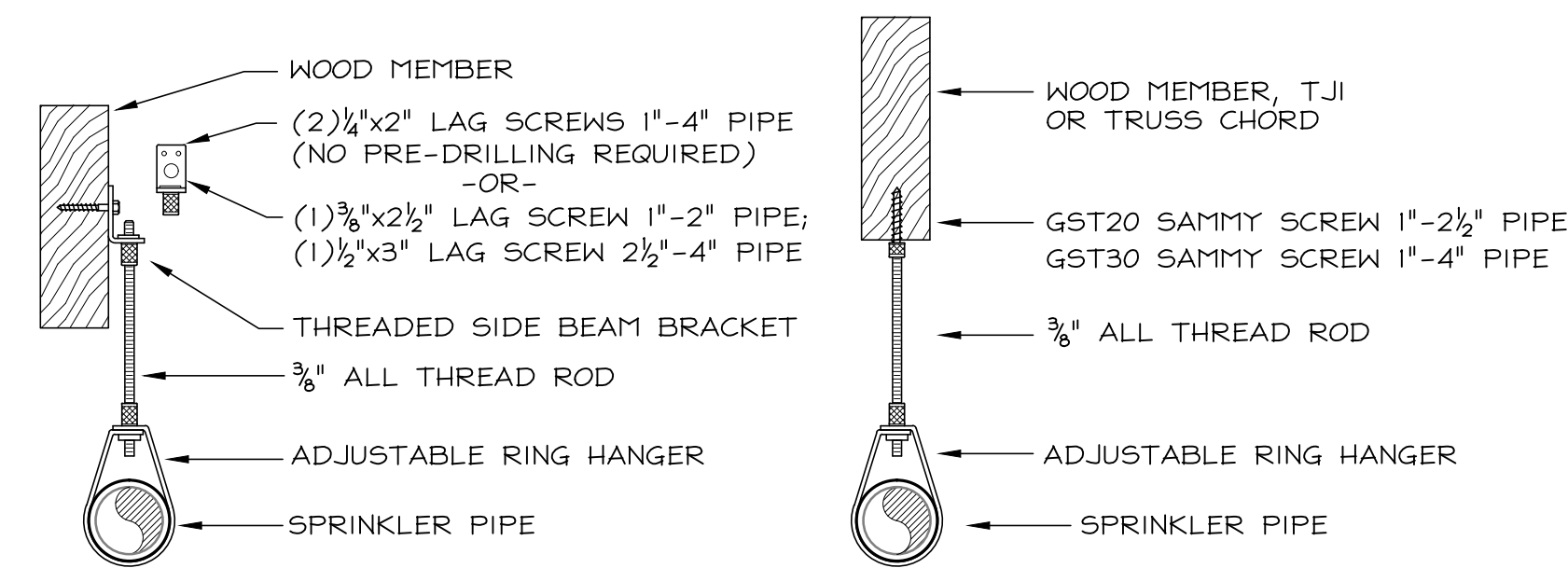


### GENERAL NOTES

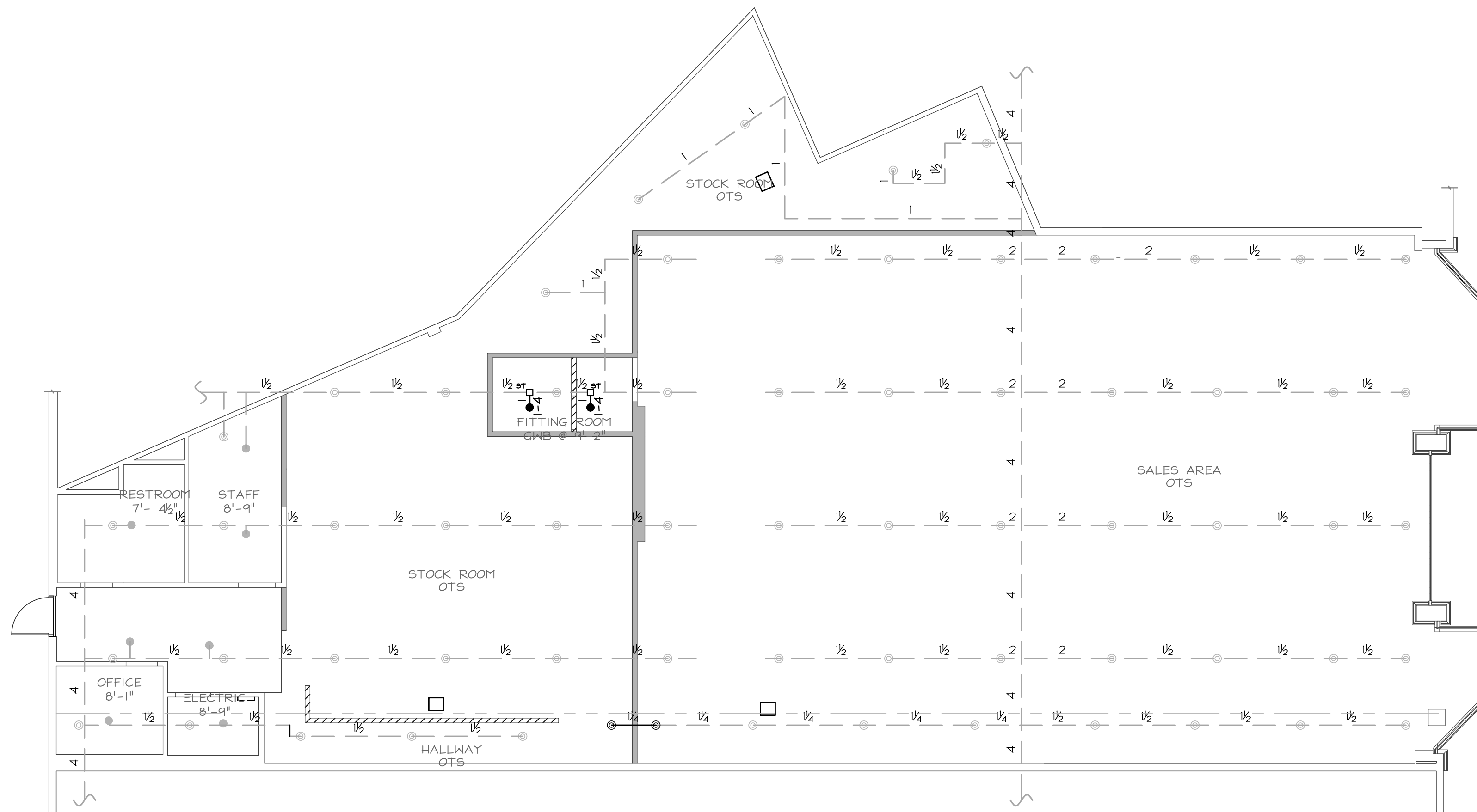
REFER TO THE NFPA 13, 2016 EDITION

- MATERIAL TO BE NEW AND UL LISTED.
- PIPING SHALL BE PER NFPA 13.
- EARTHQUAKE BRACING SHALL BE PER NFPA 13.
- JOINING OF PIPE AND FITTINGS, THREADED, GROOVED, PLAIN END, AND WELDED SHALL BE PER NFPA 13.
- PIPE HANGERS AND METHOD OF HANGING TO BE PER NFPA 13.
- PIPING DIMENSIONS ARE CENTER TO CENTER.
- OWNER TO PROVIDE ADEQUATE HEAT TO PREVENT WATER IN PIPES FROM FREEZING IN AREAS PROTECTED BY A WET PIPE SPRINKLER SYSTEM (MINIMUM 40°F REQUIRED).
- ALL WIRING OF ELECTRICAL DEVICES TO BE BY OTHERS.
- PAINTING OF PIPE AND EQUIPMENT (IF REQUIRED) BY OTHERS.
- FURRING OF PIPE AND EQUIPMENT (IF REQUIRED) BY OTHERS.

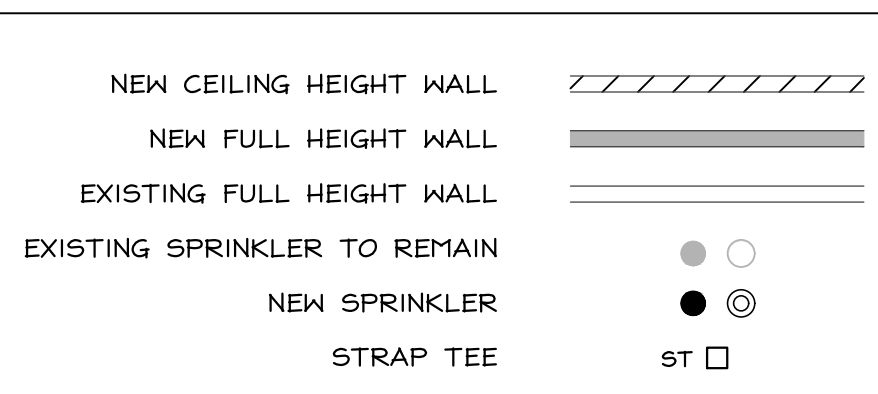
APPROVALS	QTY
CITY OF PUYALLUP	2
OWNER/ARCHITECT	2
KNIGHT FIRE	1
<b>TOTAL</b>	<b>5</b>



**HANGER DETAILS**  
SCALE: N.T.S.



**FIRE SPRINKLER PLAN**  
SCALE: 1/8"=1'-0"



**VICINITY MAP**  
N.T.S.

SPRINKLERS USED									
SYMBOL	SPRINKLER MAKE & MODEL	S.U.K.	THREAD SIZE	SPRINKLER ACTION	ESQUIRE FINISH	TEMP	QTY		
●	RELIABLE QR 55P CONCEALED	RA414	1/2"	5.6	WHITE	WHITE	155°	2	
⊙	RELIABLE QR 55U	RA425	1/2"	5.6	BRASS	NA	155°	2	
								<b>TOTAL</b>	<b>4</b>

SYSTEM DEMAND		WATER FLOW INFO.	
REQUIRED PRESSURE	p.s.i.	STATIC PRESSURE	p.s.i.
AVAILABLE PRESSURE	p.s.i.	RESIDUAL PRESSURE	p.s.i.
TOTAL DEMAND	g.p.m.	FLOW	g.p.m.
HOSE	g.p.m.	DATE TESTED	

DESIGN CRITERIA	
STANDARD	NFPA 13 (2016)
HAZARD CLASSIFICATION:	ORDINARY HAZARD GROUP 2
MAX SD. FT. / HEAD	130 DENSITY 20 GPM / N/A SD. FT.
TYPE OF SYSTEM:	WET

QUALITY CONTROL BY:		DATE:
MK	DATE	REVISIONS
▲		

CONTRACT WITH:  
**Marco Contractors, Inc.**  
 100 Commonwealth Drive  
 Waarendale, WA 15095  
 Jobsite Supt. Phone:

CONTRACT NAME:  
**JD Sports - Puyallup**  
 3500 South Meridian  
 Olympia, WA 98512



**KNIGHT FIRE PROTECTION, INC.**  
 9702 LATHROP INDUSTRIAL DR. SW  
 OLYMPIA, WA 98512-9188  
 (360) 786-8606  
 LICENSE NO. KNIGHFP044LK

DESIGNER	DATE	JOB NUMBER	1 OF 1
Job Pannell	4-25-24	24-024	
FILE NAME:	24-024-00 Sports Puyallup		