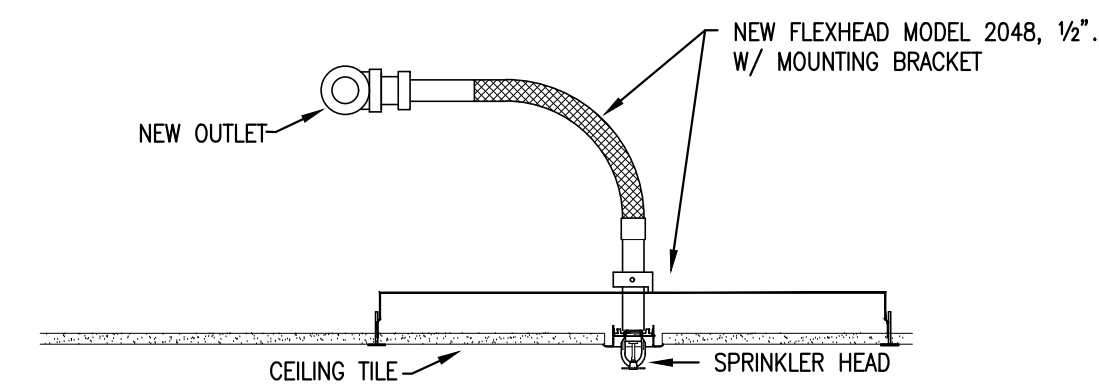


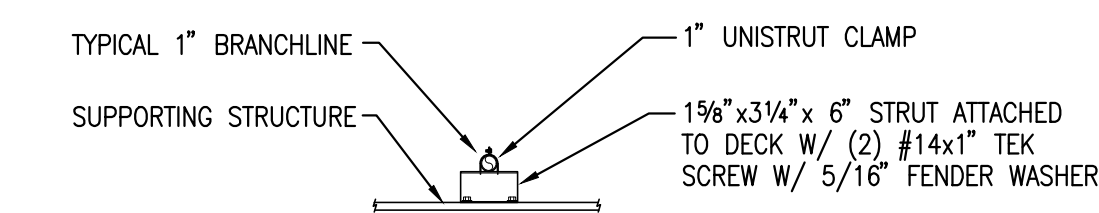
TYP. DRY SPRINKLER DETAIL

SCALE: NONE



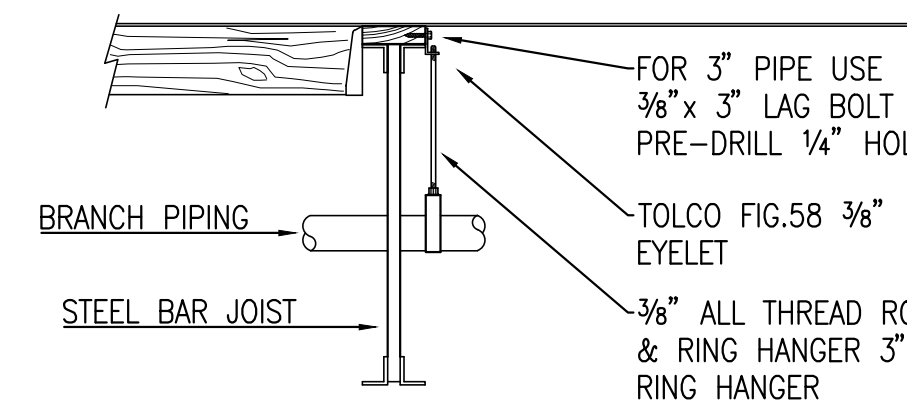
TYP. FLEXHEAD DETAIL

SCALE: NONE



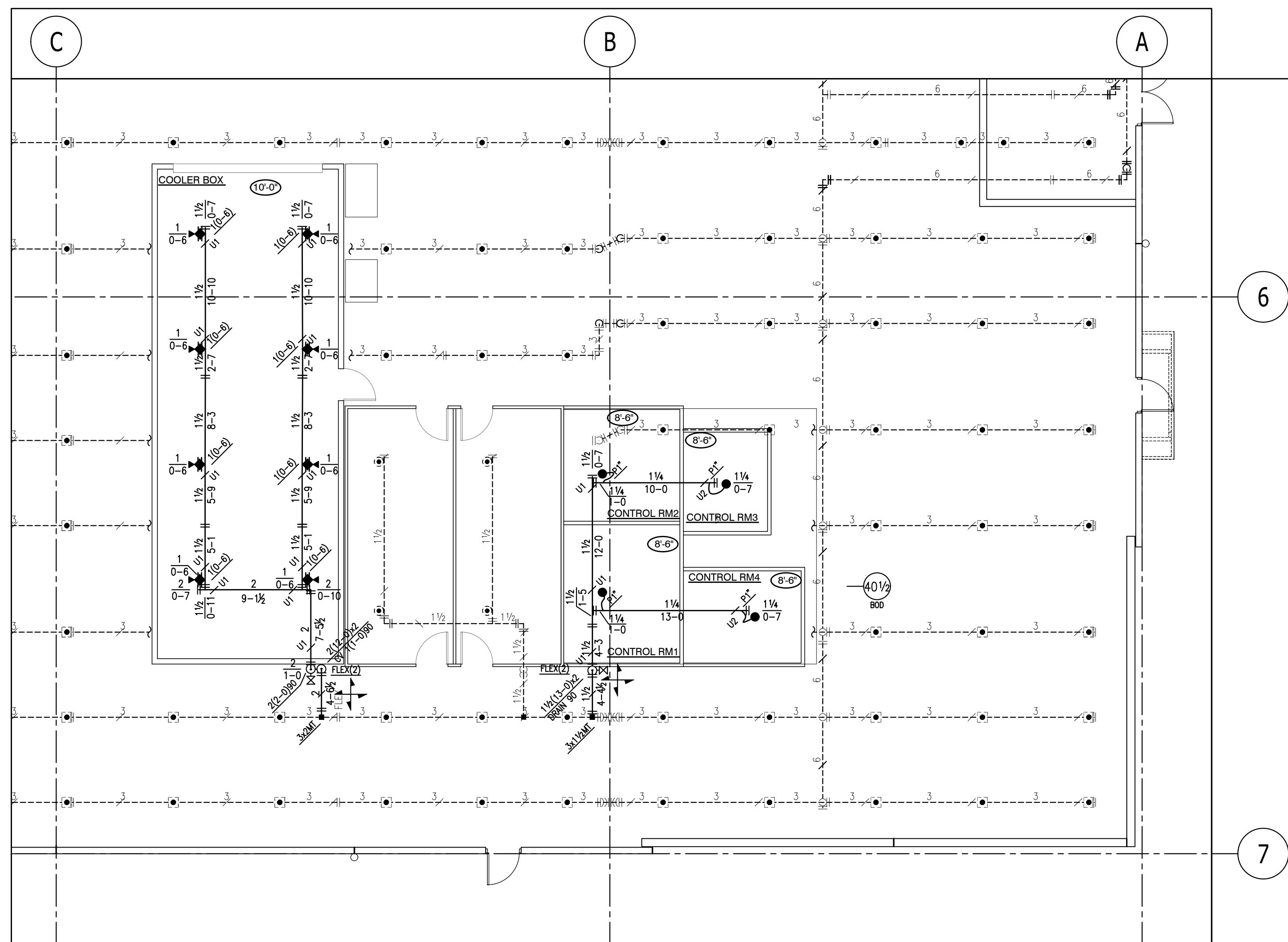
U1 HANGER DETAIL

SCALE: NONE



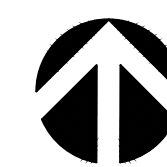
DECK HANGER DETAIL

SCALE: NONE



FIRE SPRINKLER PLAN

SCALE: 1/8"=1'-0"

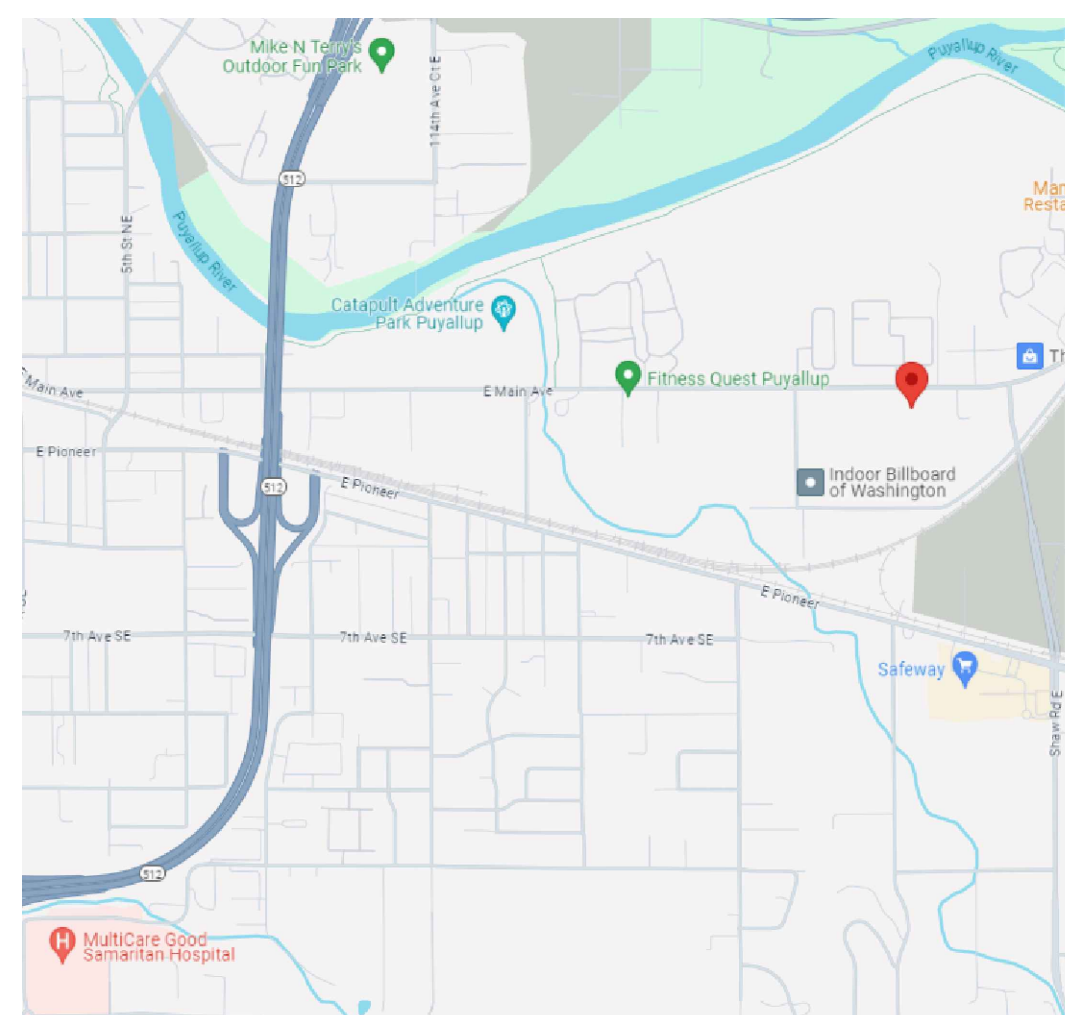


GENERAL NOTES

1. --- DENOTES EXISTING FIRE SPRINKLER PIPING.
2. - - - DENOTES NEW FIRE SPRINKLER PIPING.
3. ● DENOTES EXISTING FIRE SPRINKLER PENDENT TO REMAIN.
4. ⊕ DENOTES EXISTING FIRE SPRINKLER TO RELOCATE.

SCOPE OF WORK

MODIFY EXISTING FIRE SPRINKLER SYSTEM FOR T.I. WALLS & CEILINGS.



VICINITY MAP



City of Puyallup  
Development & Permitting Services  
ISSUED PERMIT

Building	Planning
Engineering	Public Works
Fire	Traffic

SY#	MANUF.	MODEL	SN	TYPE	HEAD WRENCH SIZE	K	HEAD FINISH	ESCAPCH FINISH	TEMP	QTY	
●	RELIABLE	F1FR 56	RH1414	OR RECESSED	GFR2	W	K=5.6	CHROME	CHROME	155	4
●	RELIABLE	F3FR	RS714	OR DRY PENDENT	XLO2	T	K=5.6	CHROME	CHROME	286	8
										TOTAL	12

STATE CERTIFICATION

Matthew Creente  
9819-0331-C Level 3  
Patriot Fire Protection, Inc.  
PATRIOTPROTECT  
4-10-24

APPROVAL REQUIRED  
CITY OF PUYALLUP

TEMP RATING	SPRINKLER ORifice SIZE AND TYPE	UPRIGHT	PENDENT
165°	1/2"	○	○
212°	1"	○	○
286°	1/2"	○	○
350°	1"	○	○
500°	1/2"	○	○

FITTING LEGEND		SPRINKLER LEGEND	
P	PIPE-O-LET	SPRINKLER	ORifice SIZE AND TYPE
SN	GROOVED SHAPED NIPPLE	UPRIGHT	PENDENT
TSN	THREADED SHAPED NIPPLE	○	○
ADN	ADJUSTABLE DROP NIPPLE	○	○
FLG	FLANGE	○	○
RC	REDUCING COUPLING	○	○
SC	STRUCTURE TO CENTER LINE OF PIPE IN INCHES	○	○
W	2-WAY EARTHQUAKE BRACE	○	○
4W	4-WAY EARTHQUAKE BRACE	○	○

HANGER LEGEND	
A	"U" HOOK
B	COACH SCREW ROD
D	BM. CLAMP W/ "STRAP"
E	EYELET
F	FLUSH SHELL
G	CEILING FLANGE
H	SIDE BEAM BRACKET
K	SHORT CLIP
M	ALL THREAD ROD
N	TOGGLE NUT
P	POWDER DRIVEN STUD
R	EXPANSION BOLT
S	PIPE SPIKE
T	TRAPEZE HANGER
U	
V	WALL BRACKET HANGER
X	
Y	
Z	

QUALITY CONTROL BY		DATE
APPROVED FOR FABRICATION BY		
GENERAL NOTES		
1. ALL MATERIAL AND EQUIPMENT TO BE NEW AND UL LISTED OR FM APPROVED.		
2. PIPE DIMENSIONS ARE CENTER TO CENTER EXCEPT RISERS & DIMENSIONS SHOWN ENDS (E-S) WHICH ARE END TO END.		
3. EARTHQUAKE BRACING SHALL BE PROVIDED IN ACCORDANCE WITH NFPA PAMPHLET NO. 13, 2013 EDITION.		
4. PIPE HANGERS AND METHOD OF HANGING TO BE IN ACCORDANCE WITH NFPA PAMPHLET NO. 13, 2013 EDITION.		
5. PIPING SHALL BE IN ACCORDANCE WITH NFPA PAMPHLET NO. 13, 2013 EDITION.		
6. JOINING OF PIPE AND FITTINGS, THREADED & WELDED, SHALL BE IN ACCORDANCE WITH NFPA PAMPHLET NO. 13, 2013 EDITION.		
7. OWNER TO PROVIDE ADEQUATE HEAT IN AREAS PROTECTED BY A WET PIPE SPRINKLER SYSTEM TO PREVENT WATER IN PIPES FROM FREEZING.		
8. ALL WIRING OF ELECTRICAL DEVICES (IF REQUIRED) TO BE PROVIDED BY OTHERS.		
9. PAINTING OF PIPE & EQUIPMENT (IF REQUIRED) TO BE PROVIDED BY OTHERS.		
10. FLURRING OF PIPE & EQUIPMENT (IF REQUIRED) TO BE PROVIDED BY OTHERS.		

DESIGN CRITERIA	
DESIGN PER NFPA 13 (2016 EDITION)	
PIPE NOTES	
1. WELDED/GROOVED MAIN PIPING TO BE SCH. 10 BLACK PIPE	
2. THREADED PIPING TO BE SCH. 40 BLACK PIPE.	
REVISIONS	
NO	DATE BY DESCRIPTION

CONTRACT WITH:

**RED DOT CORP.**  
495 ANDOVER PARK E  
TUKWILLA, WA 98188

PROJECT NAME:

**RED DOT CLIMATE CONTROL RM**

2504 EAST MAIN  
PUYALLUP, WA 98372

PATRIOT FIRE PROTECTION, INC.  
2707 70TH AVENUE EAST  
TACOMA, WA 98424

TEL: (253) 926-2290  
FAX: (253) 922-6150

DESIGNER: Travis Mackey SHEET: 1 OF 1  
DATE: 4/10/24  
JOB NO.: 12-23662

**FP-1**