

**PROJECT:** GSMOB 3rd Floor Soiled Utility Room

**DATE:** 03/18/2024

**RE:** 220000-01-Plumbing Fixtures

**TO:** InSight Healthcare Architecture  
12345 Lake City Way NE #218  
Seattle WA 98125

**FROM:** Dylan Kimber  
3408 1st Ave S.  
Seattle WA 98134

**PHONE:** 206.601.6645 **FAX:**

**PHONE:** 253-441-7904 **FAX:**

**PREP BY:** Hermanson Company, LLP(Michael Harshman)


**ATTN:** Karsea Langlois

**JOB:**

WE ARE SENDING:	SUBMITTED FOR:	ACTION TAKEN:
<input checked="" type="checkbox"/> Shop Drawings	<input checked="" type="checkbox"/> Approval	<input type="checkbox"/> Approved as Submitted
<input type="checkbox"/> Letter	<input type="checkbox"/> Your Use	<input type="checkbox"/> Approved as Noted
<input type="checkbox"/> Prints	<input type="checkbox"/> As Requested	<input type="checkbox"/> Returned After Loan
<input type="checkbox"/> Change Order	<input type="checkbox"/> Review and Comment	<input type="checkbox"/> Resubmit
<input type="checkbox"/> Plans		<input type="checkbox"/> Submit
<input type="checkbox"/> Samples	<b>SENT VIA:</b>	<input type="checkbox"/> Returned
<input type="checkbox"/> Specifications	<input type="checkbox"/> Attached <input type="checkbox"/> Separate Cover	<input type="checkbox"/> Returned for Corrections
<input checked="" type="checkbox"/> Other: Product Data		<input checked="" type="checkbox"/> Due Date: 04/01/2024
<input type="checkbox"/> Submittal:		<input type="checkbox"/> Other:

Item	Package	Code	Rev.	Copies	Date	Title / Description	Status
Submittal	220000-01	22.00.00.00-01	1		03/18/2024	Plumbing Submittals	Out For Approval

**Remarks / Notes:**

<b>JOB NUMBER</b>	<b>DATE</b> 3/18/2024		
<input checked="" type="checkbox"/> REVIEWED	<input type="checkbox"/> NOTE MARKING	<input type="checkbox"/> REVISE & RESUBMIT	<input type="checkbox"/> REJECTED
BY Dylan Kimber		SUBMITTAL# 22.42.00-01	
<small>This submittal review shall not be construed as a complete check and indicated only that the information presented conforms generally with contract documents. In no case is the subcontractor or supplier relieved of full responsibility for adherence to the contract documents and satisfactory construction of all work.</small>			

ARCHITECT'S REVIEW	
<input checked="" type="checkbox"/> No Exceptions Taken	<input type="checkbox"/> Make Corrections as Noted
<input type="checkbox"/> Amend and Resubmit	<input type="checkbox"/> Rejected - See Remarks
<p>THESE SHOP DRAWINGS AND/OR SUBMITTALS HAVE BEEN REVIEWED FOR GENERAL COMPLIANCE WITH CONTRACT DOCUMENTS. NO RESPONSIBILITY IS ASSUMED FOR QUANTITIES CORRECTNESS OF DIMENSIONS OR DETAILS.</p> <p><i>Karsea Langlois</i> Karsea Langlois, Architect INSIGHT HEALTHCARE ARCHITECTURE</p>	

**Received by:** \_\_\_\_\_ **Date:** \_\_\_\_\_

**Signed:** \_\_\_\_\_

**CC:** Abbott Construction LLC, Samuel Eastman  
Abbott Construction LLC, Michael Fillhart  
Abbott Construction LLC, Matt Beecher

# Manual Sink Faucets

## 786-GN2FCXKABCP

### Product Type

Deck-mounted manual faucet with 8" centers

### Features & Specifications

- 1.5 GPM (5.7 L/min) laminar flow control insert in spout inlet
- Handles include color-coded index
- 8" fixed centers
- 5-1/4" rigid/swing gooseneck spout with 1.5 GPM flow control
- Vandal Proof 4" wristblade handle
- Ceramic 1/4-turn operating cartridge, left-hand
- Ceramic 1/4-turn operating cartridge, right-hand
- ECAST® design provides durable cast brass construction with total lead content equal to or less than 0.25% by weighted average
- Complies with the requirements of the Buy American Act of 1933.
- CFNow! Item Ships in 3 Days

### Performance Specification

- Rated Operating Pressure: 20-125 PSI
- Rated Operating Temperature: 40-140°F (Note: 180°F max. during temporary high-temperature system flush)

### Warranty

- 5-Year Limited Cartridge Warranty
- Lifetime Limited Faucet Warranty
- 1-Year Limited Finish Warranty

### Codes & Standards

- ASME A112.18.1/CSA B125.1
- ADA ANSI/ICC A117.1
- Complies with CALGreen requirements
- NSF/ANSI 372 Low Lead Content
- NSF/ANSI/CAN 61: Q ≤ 1
- Certified to WaterSense by ICC-ES

### Abbott Markup Matrix



Conforms to design / specs



Does not conform to design / specs

Job Name \_\_\_\_\_

Item Number \_\_\_\_\_

Section/Tag \_\_\_\_\_

Model Specified \_\_\_\_\_

Architect \_\_\_\_\_

Engineer \_\_\_\_\_

Contractor \_\_\_\_\_

Submitted as Shown

Submitted with Variations

Date \_\_\_\_\_



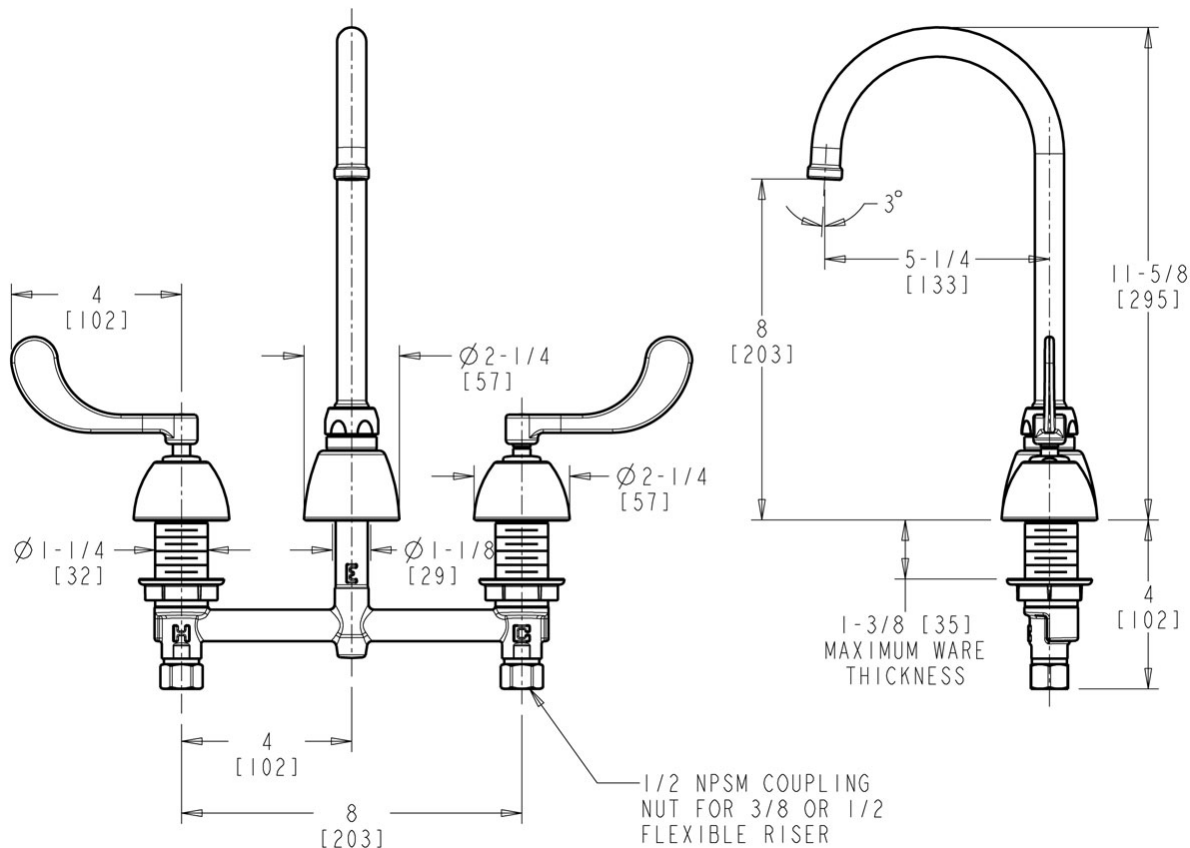
### ECAST

ECAST products are intended for installation where state laws and local codes mandate lead content levels or in any location where lead content is a concern.

2100 South Clearwater Drive  
 Des Plaines, IL  
 P: 847/803-5000  
 F: 847/803-5454  
 Technical: 800/TEC-TRUE  
 www.chicagofaucets.com

## Architect/Engineer Specification

Chicago Faucets No. 786-GN2FCXKABCP, Sink Faucet for hot and cold water, concealed deck-mount with 8" fixed centers, chrome plated. Rigid/swing gooseneck spout, 5-1/4" center-to-center, with 1.5 GPM (5.7 L/min) laminar flow control insert in spout inlet. 4" metal, vandal-proof, wristblade handles with sixteen-point, tapered broach and secured blue and red index buttons. Ceramic quarter-turn cartridge, features square, tapered stem. 1/2" NPSM supply inlets and coupling nut for 3/8" or 1/2" flexible riser. ECAST® construction with less than 0.25% lead content by weighted average. CALGreen compliant. This product meets ADA ANSI/ICC A117.1 requirements and is tested and certified to industry standards: ASME A112.18.1/CSA B125.1, Certified to NSF/ANSI 61, Section 9, California Health and Safety Code 116875 (AB1953-2006), Vermont Bill S.152, NSF/ANSI 372 Low Lead Content, and California Green Building Standards Code (CALGreen).



## Operation and Maintenance

Installation should be in accordance with local plumbing codes. Flush all pipes thoroughly before installation. After installation, remove spout outlet or flow control and flush faucet thoroughly to clear any debris. Care should be taken when cleaning the product. Do not use abrasive cleaners, chemicals or solvents as they can result in surface damage. Use mild soap and warm water for cleaning and protecting the life of Chicago Faucet products. For specific operation and maintenance refer to the installation instructions and repair parts documents that are located at [www.chicagofaucets.com](http://www.chicagofaucets.com).

\*NOTE: Maximum temperature for Thermal Shock Remediation - 180°F for up to three hours. Maximum concentration for Chlorine Shock Remediation - 200 PPM for three hours or 50 PPM for 24 hours. Continual use of the products at elevated temperatures may shorten the life of the product and void the Chicago Faucets warranty. All necessary precautions must be taken to ensure user safety if high temperature flushing of the domestic water system is undertaken. Please note that operating faucets above their rated maximum supply temperature is a safety risk and plumbing code violation in most states. Therefore, Chicago Faucets does not recommend this practice.

Chicago Faucets, member of the Geberit Group, is the leading brand of commercial faucets and fittings in the United States, offering a complete range of products for schools, laboratories, hospitals, office buildings, food service, airports and sport facilities. Call 1.800.TECTRUE or 1.847.803.5000 Option 1 for installation or other technical assistance.



2100 South Clearwater Drive  
Des Plaines, IL  
P: 847/803-5000  
F: 847/803-5454  
Technical: 800/TEC-TRUE  
[www.chicagofaucets.com](http://www.chicagofaucets.com)

**PRODUCT SPECIFICATIONS**

Elkay® 3-1/2" Drain Nickel Plated Brass Body Strainer and Tailpiece. Overall dimensions are 4-5/8" x 4-5/8" x 6-5/8". Made of Nickel-plated Brass.

<b>Material:</b>	Nickel-plated Brass
<b>Finish:</b>	Polished Nickel (PN)
<b>Dimensions:</b>	4-5/8" x 4-5/8" x 6-5/8"
<b>Shipping Weight:</b>	1 lbs.

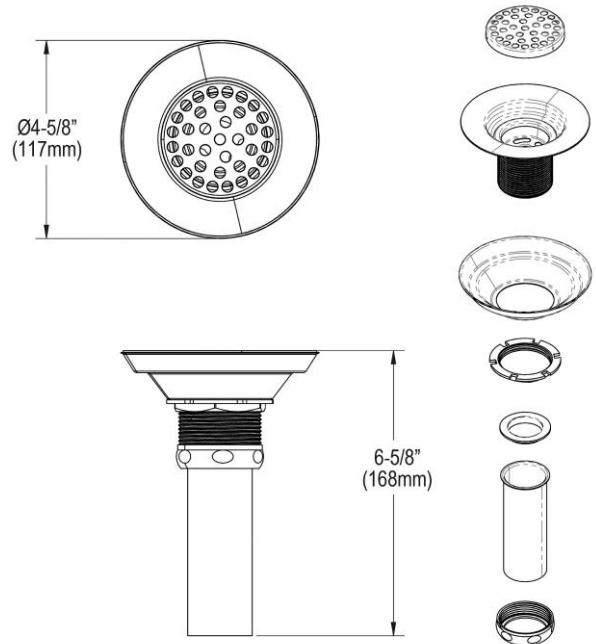
- EXTRA-DEEP STRAINER BASKET: Removable basket is 3" deep to catch food scraps. Handle allows for easy removal and minimizes contact with scraps.
- 1-1/2" O.D. x 4" tailpiece.



A Century of Tradition and Quality.  
For more than 100 years, Elkay has been making innovative products and providing exceptional customer care. We take pride in offering plumbing products that make life easier, inspire change and leave the world a better place.

**Product Compliance:** ASME A112.18.2/CSA B125.2

[Clean and Care Manual \(PDF\)](#)  
[Installation Instructions \(PDF\) - 100005235](#)



PART: \_\_\_\_\_ QTY: \_\_\_\_\_

PROJECT: \_\_\_\_\_

CONTACT: \_\_\_\_\_

DATE: \_\_\_\_\_

NOTES: \_\_\_\_\_

APPROVAL: \_\_\_\_\_

*In keeping with our policy of continuing product improvement, Elkay reserves the right to change product specifications without notice. Please visit [elkay.com](http://elkay.com) for the most current version of Elkay product specification sheets. This specification describes an Elkay product with design, quality, and functional benefits to the user. When making a comparison of other producers' offerings, be certain these features are not overlooked.*



**McGuire Manufacturing Co., Inc.**

60 Grandview Court  
 Cheshire, Connecticut 06410  
 (203) 699-1801 Fax (203) 699-1813  
 customerservice@mcguiremfg.com mcguiremfg.com

**Part No.**

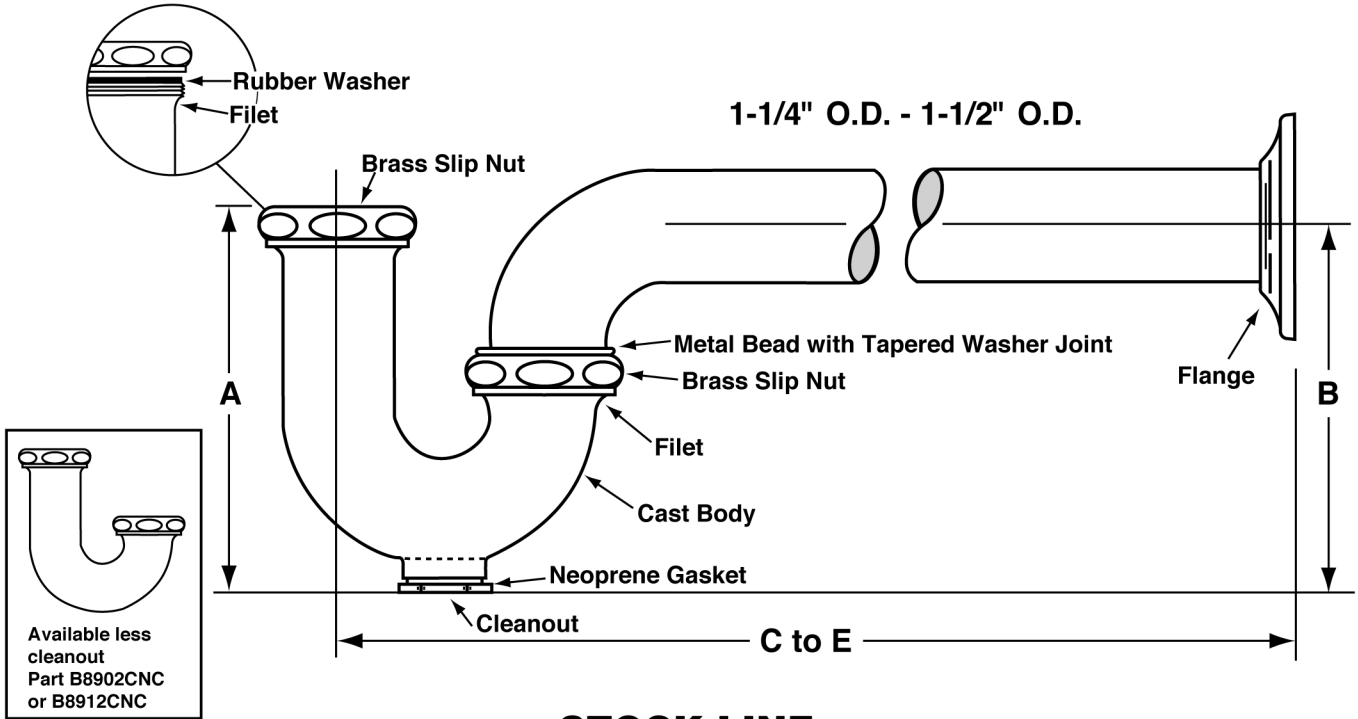
**C8872C**

**Cast Body P-Trap  
 With or Without Cleanout**

**PRODUCT SPECIFICATION**

**Job Name:**

**Submittal Number:**



**STOCK LINE**

ROUGHING MEASUREMENTS					
NO.	TRAP DIMENSIONS		A	B	C to E
	INLET	OUTLET			
C8872C	1-1/4"	1-1/4"	4-1/2"	4-1/4"	10"

**FED SPEC W.W.P. 541  
 CAST BRASS P TRAP  
 MINIMUM SEAL 2"**

**Note: Prefix "C" indicates die cast slip nuts.**



See options and accessories section for details on product variations. ASME A112.18.2/CSA B125.2

**Specifications:**

P-Trap shall be chrome plated cast brass body (with, without) cleanout, with 17 gauge seamless tubular wall bend, slip nuts. Reducing washers shall be used with reducing cast brass nut. With (shallow, deep, bell) (steel, brass) or (forged brass with set screw) flange. P-Trap shall bear manufacturer and testing mark.



**WARNING:**

This product can expose you to chemicals including lead, which is known to the State of California to cause cancer, and birth defects or other reproductive harm. For more information go to [www.P65Warnings.ca.gov](http://www.P65Warnings.ca.gov).



# McGuire Manufacturing Co., Inc.

60 Grandview Court  
 Cheshire, Connecticut 06410  
 (203) 699-1801 Fax (203) 699-1813  
 customerservice@mcguiremfg.com mcguiremfg.com

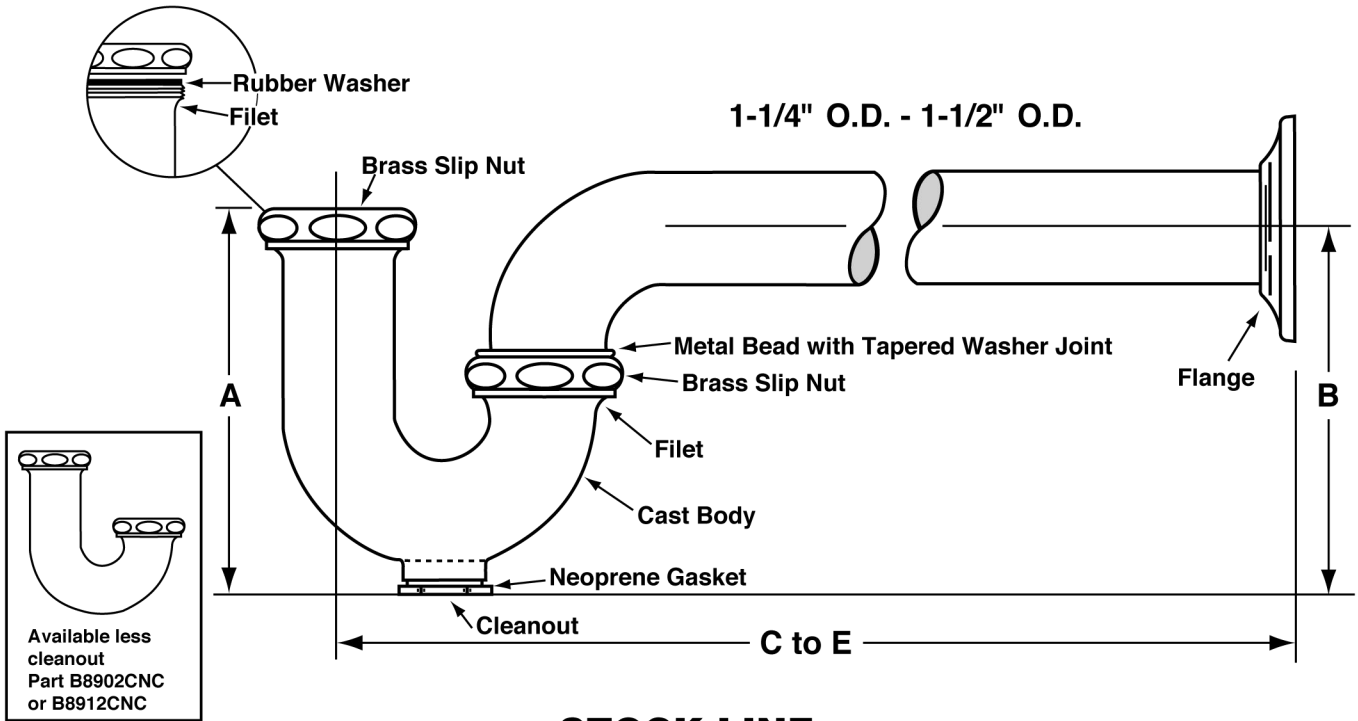
**Part No.**  
**B8872, B8902, B8902CNC,**  
**B8912, B8912CNC,**  
**C8872, C8902, C8912**

**Cast Body P-Trap**  
**With or Without Cleanout**

## PRODUCT SPECIFICATION

**Job Name:**

**Submittal Number:**



Available less cleanout  
 Part B8902CNC  
 or B8912CNC

### STOCK LINE

ROUGHING MEASUREMENTS					
NO.	TRAP DIMENSIONS		A	B	C to E
	INLET	OUTLET			
B8872	1-1/4"	1-1/4"	4-1/2"	4-1/2"	10-1/2"
C8872	1-1/4"	1-1/4"	4-1/2"	4-1/4"	10"
B8902	1-1/4"	1-1/2"	5"	5-1/2"	10-1/2"
B8902CNC	1-1/4"	1-1/2"	4-3/4"	4-1/2"	10-1/2"
C8902	1-1/4"	1-1/2"	5"	5-1/2"	10-1/2"
B8912	1-1/2"	1-1/2"	5"	4-1/2"	10-1/2"
B8912CNC	1-1/2"	1-1/2"	4-5/8"	4-1/8"	10-1/2"
C8912	1-1/2"	1-1/2"	5"	4-1/2"	10-1/2"

Note: Prefix "C" indicates die cast slip nuts.

**FED SPEC W.W.P. 541**  
**CAST BRASS P TRAP**  
**MINIMUM SEAL 2"**



See options and accessories section for details on product variations. ASME A112.18.2/CSA B125.2

### Specifications:

P-Trap shall be chrome plated cast brass body (with, without) cleanout, with 17 gauge seamless tubular wall bend, slip nuts. Reducing washers shall be used with reducing cast brass nut. With (shallow, deep, bell) (steel, brass) or (forged brass with set screw) flange. P-Trap shall bear manufacturer and testing mark.



#### WARNING:

This product can expose you to chemicals including lead, which is known to the State of California to cause cancer, and birth defects or other reproductive harm. For more information go to [www.P65Warnings.ca.gov](http://www.P65Warnings.ca.gov).

# Submittal Sheet

## General Description:

LAV GUARD® 2E-Z Series waste and supply piping covers satisfy ADA compliance requirements. Built-in E-Z Grip internal fasteners and internal, E-Z Tear-To-Fit trimming feature allow for fast installation without tools. Series #100 E-Z kits are designed to fit on all tubular and cast brass P-trap assemblies. Series #400 kits are the "original" LAV GUARD design and fit schedule 40 ABS and PVC P-trap assemblies — regardless of their geometry or rotational offset. Valve cover completely encloses angle valve and supply tube for both handled and keyed type water stops.

Material	Molded vinyl
Nominal Wall	1/8" constant
Durometer	70 - 80 - Shore A
UV Protection	Will not fade or discolor
Durability	Virtually indestructible
Trimming (E-Z Series)	Internal, E-Z Tear-To-Fit trim feature
Fasteners (E-Z Series)	Internal E-Z Grip fasteners (reusable)
Color	China white
Paintability	Apply Latex paint
Burning Characteristics ASTM D-635	Self extinguished 0 sec (ATB) 0 mm (AEB)
Bacteria/Fungus Resistance	ASTM G21 and G22/ Result: 0 growth
Maintenance	Use common detergents

### Antimicrobial Vinyl Minimizes Maintenance

Lav Guard 2 is molded from impact-resistant, stain-resistant, antimicrobial vinyl. Its smooth surface makes it exceptionally easy to clean and maintain.

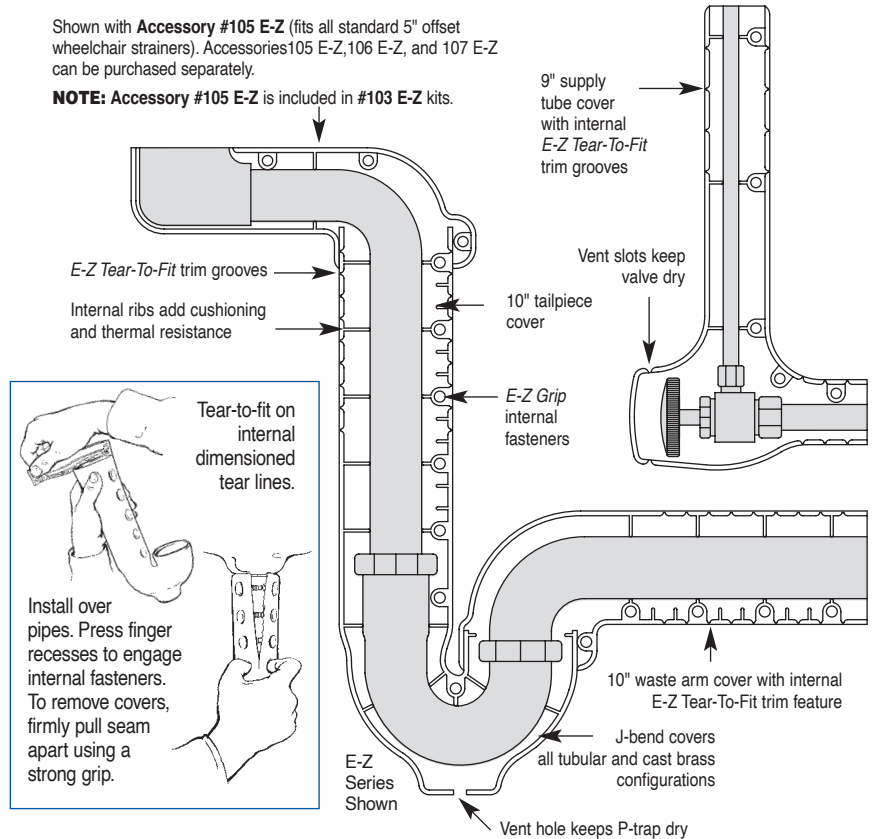
Manufactured under one or more of the following U.S. or Canadian patents. Other patents pending.  
5,303,730 5,360,031 5,524,669 5,564,463 5,678,598 5,699,828 5,915,412  
5,915,413 5,901,739 5,960,820 2,075,324 2,119,427 2,136,027 2,158,083



500 Distribution Parkway, Collierville, TN 38017 ▪ Phone: 800-888-8312 ▪ Fax: 901-853-5008 ▪ www.ipscorp.com

Shown with **Accessory #105 E-Z** (fits all standard 5" offset wheelchair strainers). Accessories 105 E-Z, 106 E-Z, and 107 E-Z can be purchased separately.

**NOTE:** Accessory #105 E-Z is included in #103 E-Z kits.



**#100 E-Z Series** (shown above right) for tubular and cast brass P-trap assemblies.

**#400W\* Series** (original design) for schedule 40 P-trap assemblies.

<input type="checkbox"/> <b>Model #99 E-Z</b> One angle valve and supply cover	<input type="checkbox"/> <b>Model #102 E-Z</b> One P-trap cover, two angle valves and covers	<input type="checkbox"/> <b>Accessory #105-K</b> Kohler 6" offset
<input type="checkbox"/> <b>Model #100 E-Z</b> One P-trap cover	<input type="checkbox"/> <b>Model #402W*</b> One P-trap cover, two angle valves and covers	<input type="checkbox"/> <b>Accessory #106 E-Z</b> One basket strainer cover and offset waste cover (adjustable to 18")
<input type="checkbox"/> <b>Model #400W*</b> One P-trap cover	<input type="checkbox"/> <b>Model #103 E-Z</b> One P-trap cover, two angle valves and supply covers, one 5" offset tailpiece wheelchair strainer cover	<input type="checkbox"/> <b>Accessory #107 E-Z</b> Two basket strainer covers and center or end outlet waste cover (adjustable)
<input type="checkbox"/> <b>Model #101 E-Z</b> One P-trap cover, one angle valve cover	<input type="checkbox"/> <b>Accessory #105 E-Z</b> One 5" offset tailpiece wheelchair strainer assembly	<input type="checkbox"/> <b>Accessory #Ex99 E-Z</b> One 14" extension for water supply
<input type="checkbox"/> <b>Model #401W*</b> One P-trap cover, one angle valve cover	<input type="checkbox"/> <b>Accessory #Ex100 E-Z</b> One 14" extension for drain waste arm or tailpiece	

\*All #400W series items are the "original" LAV GUARD® design and construction. Specifications may change without notice.

