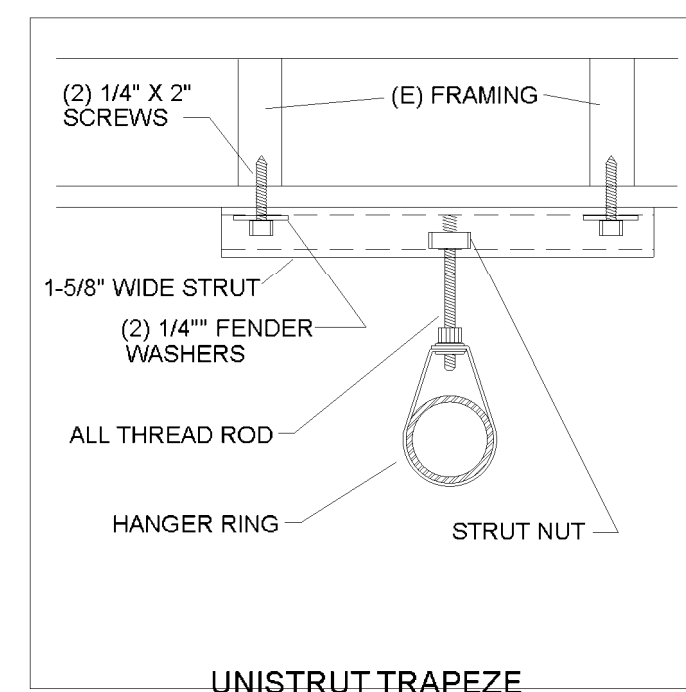


SAMMY SUPERSCREW
HANGER TYPE S20
NTS



UNISTRUT TRAPEZE
HANGER TYPE U
NTS

SCOPE OF WORK:
 • MODIFY EXISTING OVERHEAD FIRE SPRINKLER SYSTEM TO ACCOMMODATE NEW TENANT WALLS & CEILINGS.

CLARIFICATIONS:
 • ALL AREAS PROTECTED BY A WET SYSTEM MUST BE MAINTAINED AT A MINIMUM OF 40°F (BY OTHERS) IN ORDER TO PREVENT THE PIPE FROM FREEZING.

EXCLUSIONS:
 • RELOCATION OF EXISTING MAIN AND BRANCHLINE PIPING.
 • HYDRAULIC CALCULATIONS
 • INSTALLATION OF SPECIALTY SYSTEMS: DRY SYSTEM, KITCHEN HOOD, EXHAUST DUCT.
 • CHANGE OUT OF EXISTING HEADS TO QUICK RESPONSE.
 • CUTTING, PATCHING, AND PAINTING OF STRUCTURE.
 • PAINTING, PREPARATION OR CLEANING OF PIPE.
 • SHUTDOWN FEES, WSST, BONDS
 • ANY AND ALL ELECTRICAL OR ALARM WORK.

GENERAL NOTES:
 • ALL MATERIAL AND EQUIPMENT TO BE NEW AND UL AND/OR FM APPROVED.
 • JOINING OF PIPE AND FITTINGS, THREADED AND WELDED, SHALL BE IN ACCORDANCE WITH NFPA #13.
 • PIPE HANGER AND METHOD OF HANGING TO BE IN ACCORDANCE WITH NFPA #13
 • PIPING SHALL BE IN ACCORDANCE WITH NFPA #13.

DESIGN CRITERIA:
 • DESIGN AND TESTING BASED ON NFPA 13 (2019) AND PUYALLUP CODES.
 • NEW CRITERIA - ART GALLERY (MUSEUM) - LIGHT HAZARD OCCUPANCY - 15' x 15' MAX. HEAD SPACING.
 • NEW CRITERIA - STORAGE - ORDINARY HAZARD OCCUPANCY - 130 SQ. FT. MAX. HEAD SPACING, W/ 15FT MAX. BETWEEN HEADS.
 • NEW USE AND DESIGN CRITERIA ARE EQUAL OR LESS THAN THAT OF THE EXISTING, THUS NEW HYDRAULIC CALCULATIONS ARE NOT PROVIDED.

BUILDING INFO:
 • TAX PARCEL # = 642033121
 • OWNER: WESTERN WASHINGTON FAIR ASSOCIATION, 110 9TH AVE SW, PUYALLUP, WA 98371-6811

FIELD NOTES:
 • NEW HANGERS TO BE SAMMY SUPERSCREW TYPE INTO EXISTING FRAMING (J.N.D.).
 • ALL NEW PIPE TO BE 1\"/>

**City of Puyallup
Fire
REVIEWED FOR
COMPLIANCE**
 DDrake
 07/24/2024
 7:22:12 PM

THE APPROVED CONSTRUCTION PLANS AND ALL ENGINEERING MUST BE POSTED ON THE JOB AT ALL INSPECTIONS IN A VISIBLE AND READILY ACCESSIBLE LOCATION.

Approval of submitted plans is not an approval of omissions or oversight by this office or noncompliance with any applicable regulations of local government. The contractor is responsible for making sure that the building complies with all applicable building codes and regulations of the local government.

SPRINKLER LEGEND:

- 2" — NEW PIPE
- 2" — EXISTING PIPE
- - - 2" — RELOCATED PIPE
- ⋯ 2" — REMOVED PIPE
- — — — — HANGER
- MT — MECHANICAL TEE
- A — ADDED HEAD
- R — RELOCATED HEAD
- — — — — BRANCH RESTRAINT

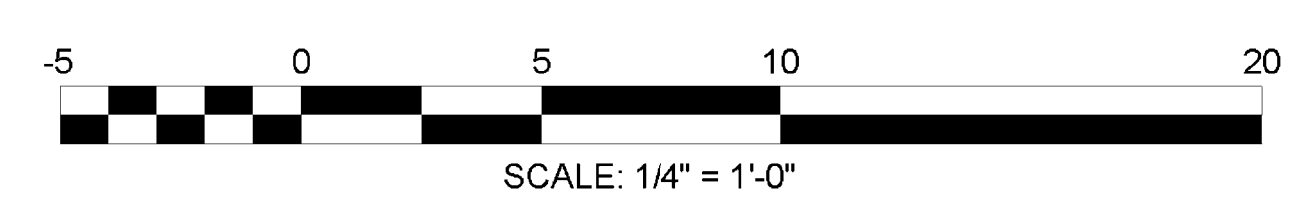


VICINITY MAP
SCALE: NTS



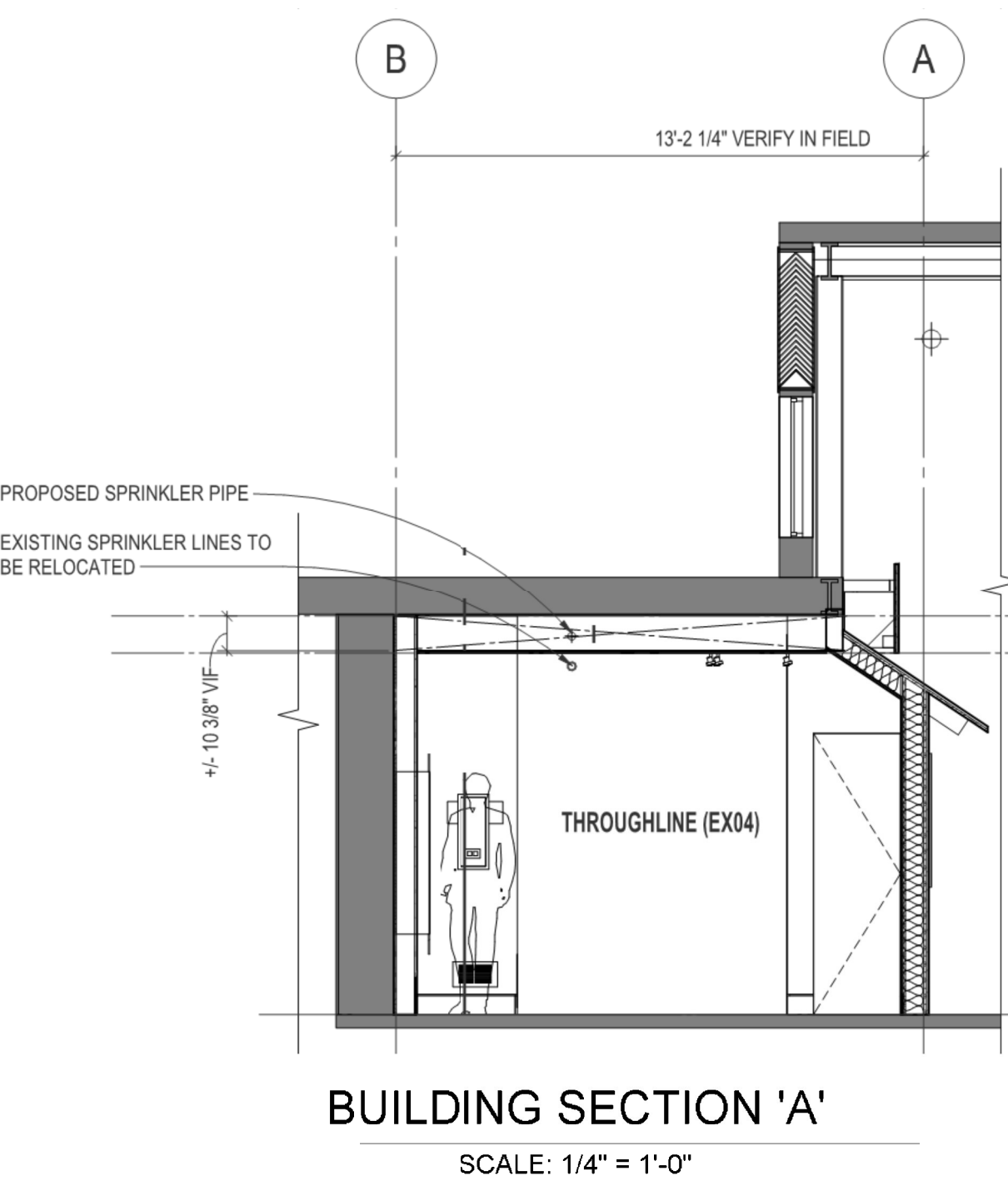
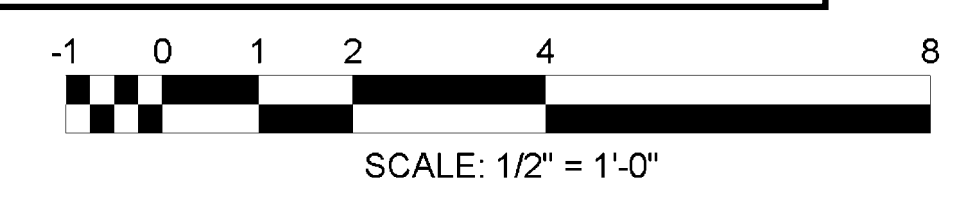
SITE / KEY PLAN
SCALE: NTS

T.I. FIRE SPRINKLER PLAN
 SCALE: 1/4" = 1'-0"

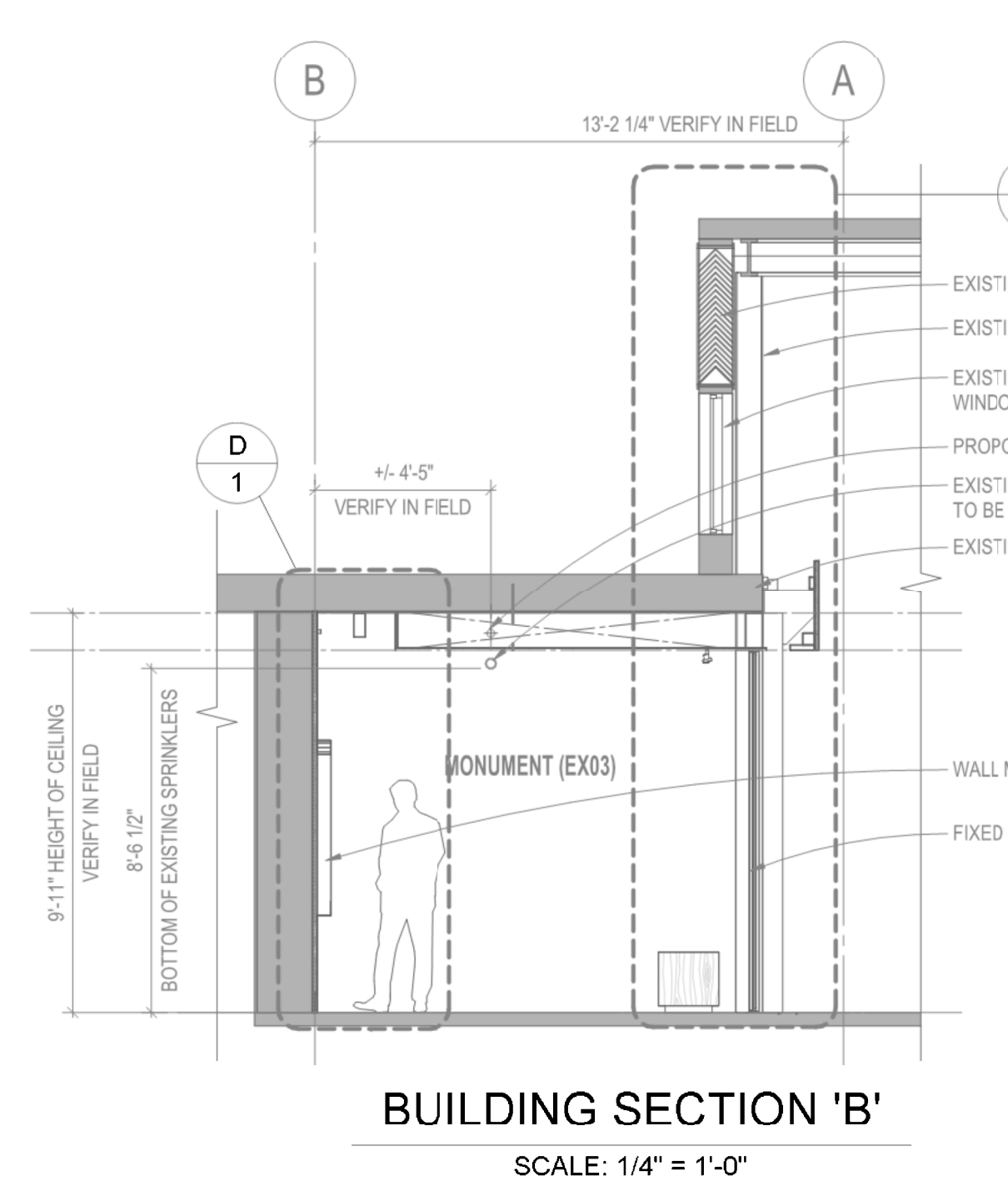


**City of Puyallup
Development & Permitting Services
ISSUED PERMIT**

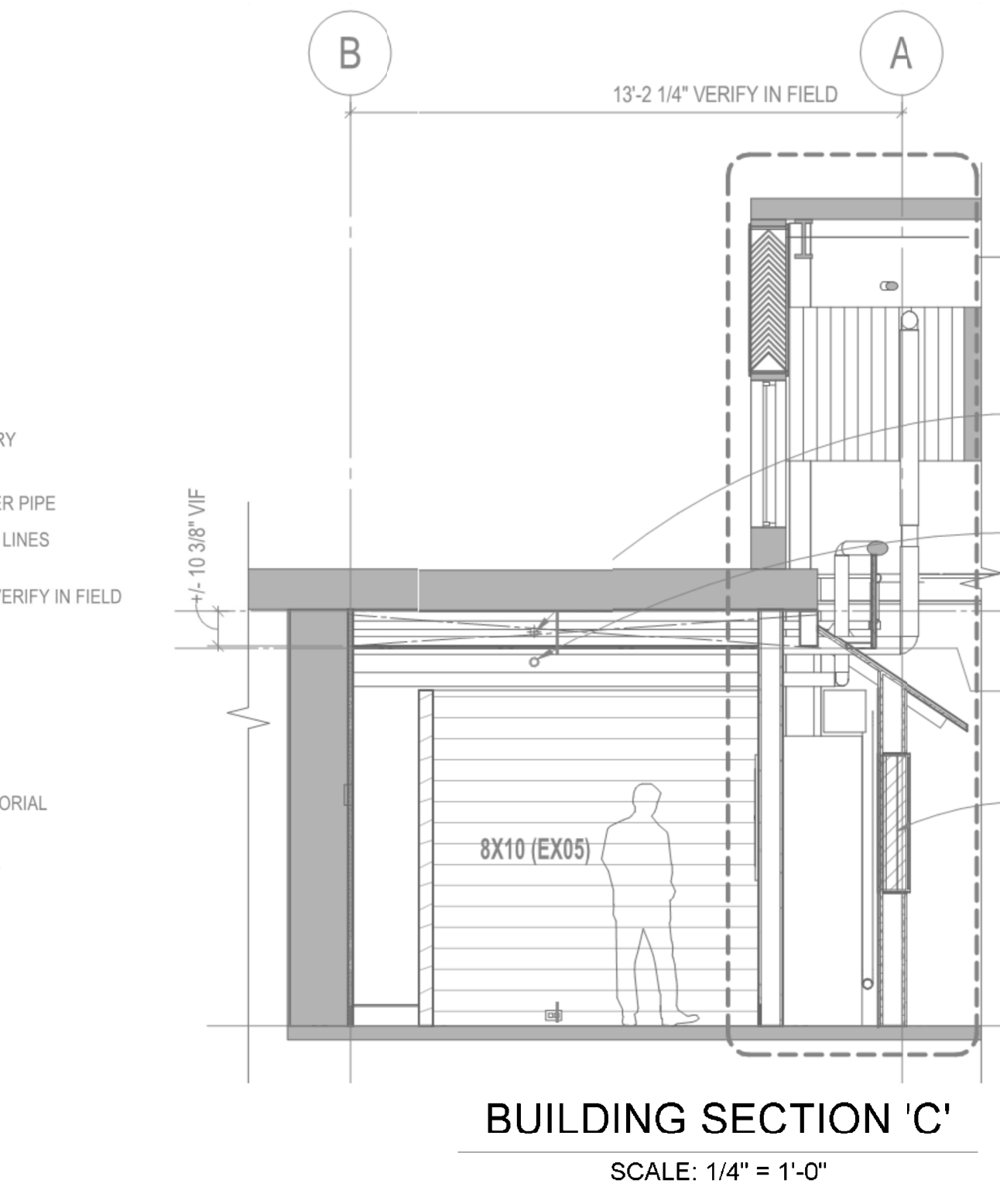
Building	Planning
Engineering	Public Works
Fire	Traffic



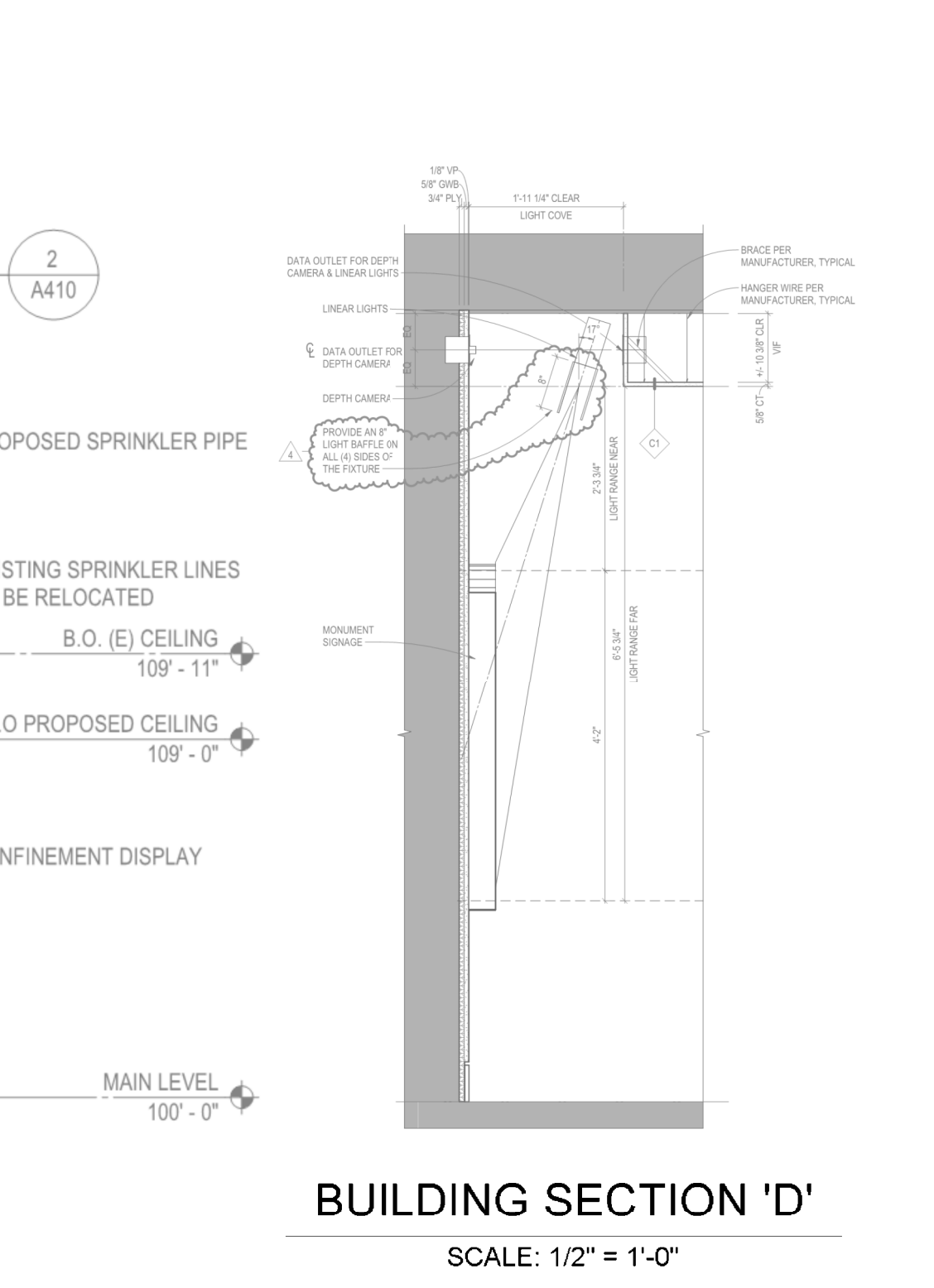
BUILDING SECTION 'A'
SCALE: 1/4" = 1'-0"



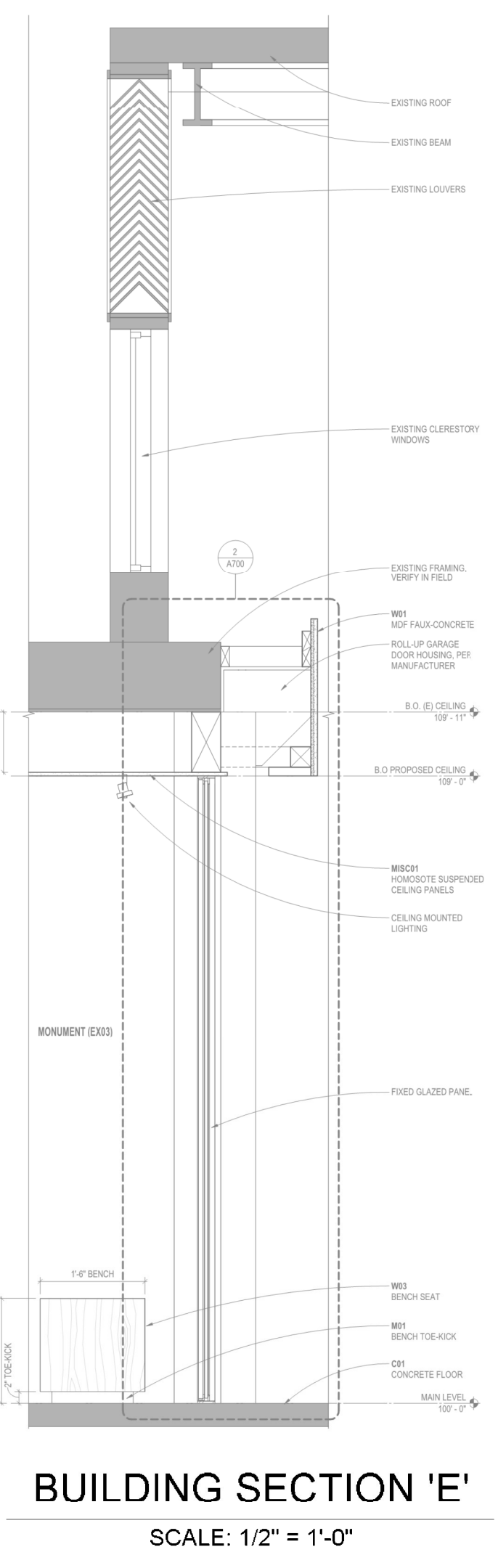
BUILDING SECTION 'B'
SCALE: 1/4" = 1'-0"



BUILDING SECTION 'C'
SCALE: 1/4" = 1'-0"



BUILDING SECTION 'D'
SCALE: 1/2" = 1'-0"



BUILDING SECTION 'E'
SCALE: 1/2" = 1'-0"

DATE	REVISIONS	BY	WATER SUPPLY
	DESCRIPTION		STATIC XX PSI RESIDUAL XX PSI GPM FLOWING XXXX GPM DATE & TIME PER: LOCATION: NOTES:

HYDRAULIC DESIGN INFORMATION			
AREA	HAZARD CLASSIFICATION	TYPE	DENSITY
AREA SIZE	COVERAGE PER SPRINKLER	HOSE	SYSTEM DEMAND

HANGER ATTACHMENT	
A	BEAM CLAMP
B	SIDE BEAM WASHER
C	EYE SOCKET
D	NUT & PLATE WASHER
E	NUT-BOLT
F	RIGID
G	SAMMY SIDEWINDER
H	SAMMY SUPERSCREW
J	COACH SCREW ROD
K	CEILING PLUNGE
T	TRAPEZE

ABBREVIATIONS	
CL	CENTRELINE OF PIPE
CTS	CUT TO SUIT
FO	FIELD ORDER
IFOW	INSIDE FACE OF WALL
OFOW	OUTSIDE FACE OF WALL
NAS	NO AUTO SPRINKLERS
UNO	UNLESS NOTED OTHERWISE
CNJ	CUT ON JOB

SYMBOLS	
★ FF	(CL) ABOVE FINISHED FLOOR
★ BB	(CL) BOTTOM OF BEAM
★ TB	(CL) TOP OF BEAM
★ TS	(CL) TOP OF STEEL / BOTTOM OF DECK
—	RIGID COUPLING
—	FLEXIBLE COUPLING

SPRINKLER SYMBOLS	
○	EXISTING
○	TO REMAIN
SSU	BRASS 5.6 1/2" 155°
TOTAL PROJECT SPRINKLERS = 18	

ARCHER
 WSCL#: ARCHEI'219DR
 FIRE SPRINKLER DIVISION
 7855 S 206TH STREET, KENT, WA 98032
 PHONE 253-872-7222 FAX 253-872-7277

PROJECT:	Remembrance Gallery 110 9th Ave SW Puyallup, WA 98371	FIRE SPRINKLER PIPING PLAN
CONTRACT W/:	Washington State Fair	PERMIT NO.:
CONTACT:	Shaun	JOB NO.:
PHONE:		DESIGNER:
		DATE:
		REVISIONS:
		PLOTTED:

WASHINGTON STATE
 CERTIFICATE OF COMPETENCY
 FIRE SPRINKLER SYSTEMS
 Theodore M. Queen
 4930-0205-C Level 3
 Archer Construction, Inc.
 ARCHEI'219DR
 Signature: [Signature] Date: 7-16-24