



Low Speed Crash Tested Bollards



Padlock Removable Bollards – The sleeve’s lid secures the bollard in place with a padlock.



Internal Locking Bollards – A cam lock near the top of the bollard secures the locking mechanism into the embedment sleeve.

It’s in the news almost every day. Whether it accidental or criminal behavior, vehicles are crashing into retail stores and buildings. These incidents cause millions of dollars in property damage and injure and kill hundreds of people each year. 1-800-BOLLARDS Low Speed Crash Bollards can help reduce the problem. Here’s why.

Three sizes of our Removable and Fixed Bollards recently passed the rigorous ASTM tests conducted at the Texas Transportation Institute. These 1-800-BOLLARDS bollards were ASTM F3016 certified after successfully stopping a 5,000 pound moving vehicle:

- 10 mph – 4" Dia. x 36" Removable & Fixed Bollards
- 20 mph – 6" Dia. x 36" Removable & Fixed Bollards
- 30 mph – 8" Dia. x 36" Removable & Fixed Bollards

We offer the only 4" diameter crash test certified bollard in the U.S. For additional visibility at night, a light can be added to the top of the bollard. The 1-800-BOLLARDS Low Speed Crash Bollards can meet your needs for impact safety.



Fixed Bollards – These simple and sturdy bollards are easy to maintain.

FEATURES

Steel Options

- STAINLESS – #4 Polished Finish
Type 304 & Type 316 for harsher environments
- CARBON
Powder-coated, 200+ Color Choices

Certified Diameters: 3

Certified Height: 36"

Fixed Bollard Top Light available





CAP STYLES

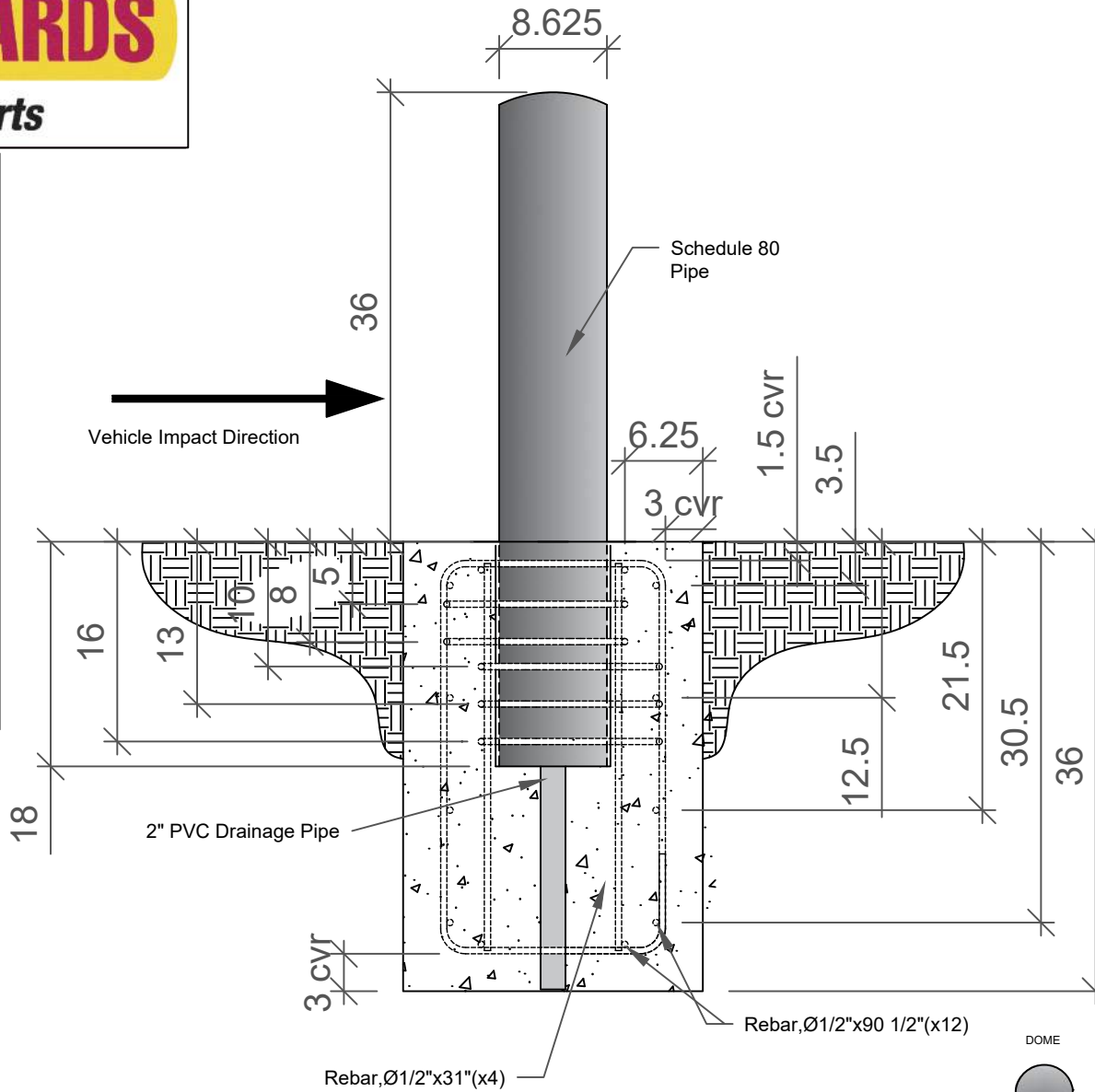


Size	I.D.	O.D.	Wall Thickness	Schedule
4" x 36"	4"	4.5"	.237"	40
6" x 36"	6"	6.62"	.280"	40
8" x 36"	8"	8.62"	.500"	80

1-800-BOLLARDS

The Bollard Experts

- SELECT DESIRED MATERIAL:
(8" NOMINAL SIZE)
- FCSC08080 SCH 80 ASTM A-53 CARBON STEEL
- FSSC08080 SCH 80 STAINLESS STEEL
- SELECT DESIRED STAINLESS STEEL BOLLARD FINISH:
- POLISHED #4 FINISH
- AS SPECIFIED _____
- SELECT DESIRED CARBON STEEL BOLLARD FINISH:
- POWDER COAT RAL # 7042
- AS SPECIFIED _____
- SELECT DESIRED STAINLESS STEEL BOLLARD MATERIAL:
- TYPE 304
- TYPE 316
- SELECT DESIRED BOLLARD CAP STYLE:
-  DOME
-  FLAT
-  REVEAL
-  SLOPED

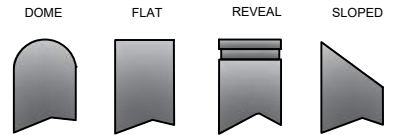


END VIEW-FOUNDATION

REVISIONS			
LTR	DESCRIPTION	DATE	APPVD

COMMENTS			

SPECIFICATIONS
HEIGHT: 36"
DIAMETER: 8.625"
WALL THICKNESS: 0.500"



NOTES:
 1. INSTALLATION TO BE COMPLETED IN ACCORDANCE WITH MANUFACTURER'S SPECIFICATIONS.
 2. DO NOT SCALE DRAWING.
 3. THIS DRAWING IS INTENDED FOR USE BY ARCHITECTS, ENGINEERS, CONTRACTORS, CONSULTANTS AND DESIGN PROFESSIONALS FOR PLANNING AND INSTALLATION PURPOSES.
 4. ALL INFORMATION CONTAINED HEREIN WAS CURRENT AT THE TIME OF DEVELOPMENT BUT MUST BE REVIEWED AND APPROVED BY THE PRODUCT MANUFACTURER TO BE CONSIDERED ACCURATE.

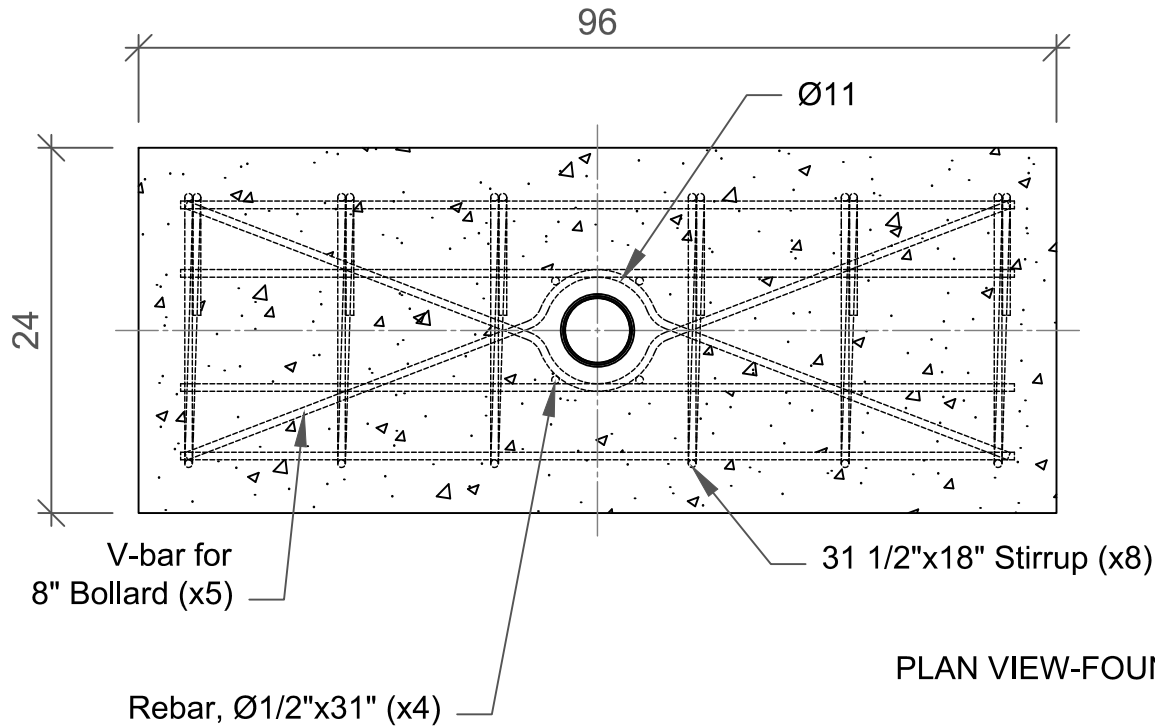
APPLICATION		SERIES NUMBER: CT8000 FIXED		CAGE CODE: CT8		REV: 8		DRAWING NUMBER: CT80F	
NEXT ASSY	USED ON	PRODUCT FAMILY: 30 MPH CRASH TESTED		PRODUCT CLASS: STANDARD OR CUSTOMER DEFINED		DRAWN BY: A.J.A.		DRAWING REV: 1	
		PRODUCT LINE: BOLLARD		PRODUCT SUB LINE: FIXED		CHECKED BY: _____		SHEET: 1 OF 1	
		1-800-BOLLARDS, Inc. 10 Hughes Suite A105 Irvine, CA 92618 PHONE: 1-800-BOLLARDS WEB: WWW.1800BOLLARDS.COM EMAIL: INFO@1800BOLLARDS.COM		APPROVED BY: _____		RELEASE DATE: 1-3-2023		TITL: BOLLARD, CT FIXED	

1-800-BOLLARDS

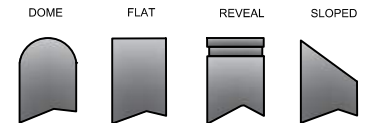
The Bollard Experts

REVISIONS			
LTR	DESCRIPTION	DATE	APP
COMMENTS			
SPECIFICATIONS			
HEIGHT:		36"	
DIAMETER:		8.625"	
WALL THICKNESS:		0.500"	

- SELECT DESIRED MATERIAL:
(8" NOMINAL SIZE)
 - FCSC08080 SCH 80 ASTM A-53 CARBON STEEL
 - FSSCT08080 SCH 80 STAINLESS STEEL
- SELECT DESIRED STAINLESS STEEL BOLLARD FINISH:
 - POLISHED #4 FINISH
 - AS SPECIFIED _____
- SELECT DESIRED CARBON STEEL BOLLARD FINISH:
 - POWDER COAT RAL # 7042
 - AS SPECIFIED _____
- SELECT DESIRED STAINLESS STEEL BOLLARD MATERIAL:
 - TYPE 304
 - TYPE 316
- SELECT DESIRED BOLLARD CAP STYLE:
 - DOME
 - FLAT
 - REVEAL
 - SLOPED



PLAN VIEW-FOUNDATION



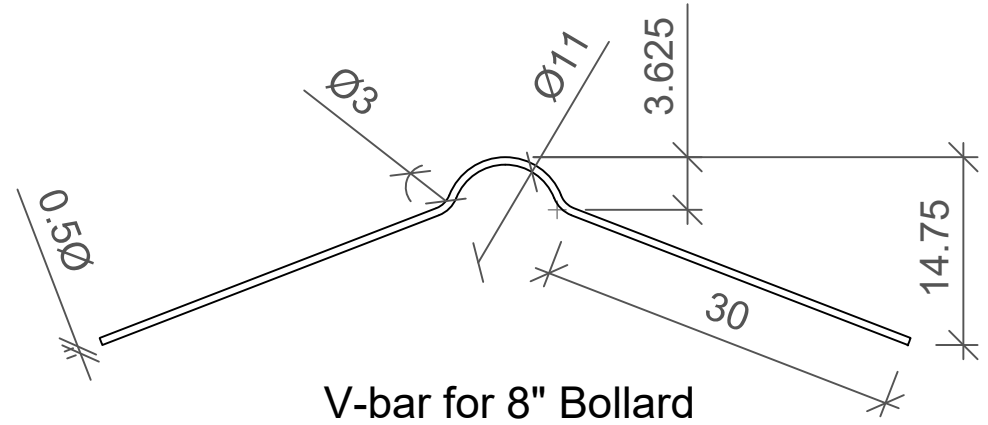
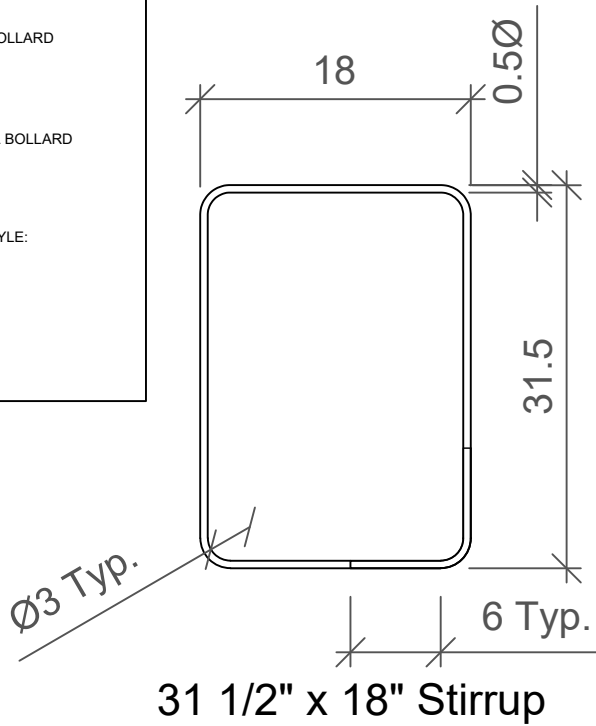
NOTES:
 1. INSTALLATION TO BE COMPLETED IN ACCORDANCE WITH MANUFACTURER'S SPECIFICATIONS.
 2. DO NOT SCALE DRAWING.
 3. THIS DRAWING IS INTENDED FOR USE BY ARCHITECTS, ENGINEERS, CONTRACTORS, CONSULTANTS AND DESIGN PROFESSIONALS FOR PLANNING AND INSTALLATION PURPOSES.
 4. ALL INFORMATION CONTAINED HEREIN WAS CURRENT AT THE TIME OF DEVELOPMENT BUT MUST BE REVIEWED AND APPROVED BY THE PRODUCT MANUFACTURER TO BE CONSIDERED ACCURATE.

APPLICATION		SERIES NUMBER		CAP CODE		DRAWING NUMBER	
NEXT ASBY	USED IN	CT8000	FIXED	CT8	8	CT80F	CT80F
		1-800-BOLLARDS, Inc.		DRAWN BY: AJA		DRAWING REV: 1	
		10 Hughes Suite 1100		CHECKED BY: _____		SHEET 1 OF 1	
		Irvine, CA 92618		APPROVED BY: _____		RELEASE DATE: 1-3-2023	
		PHONE: 1-800-BOLLARDS				TITLE: BOLLARD, CT FIXED	
		WEB: WWW.1800BOLLARDS.COM					
		EMAIL: INFO@1800BOLLARDS.COM					

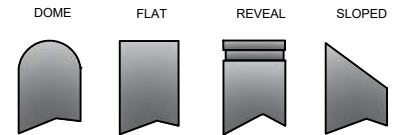
1-800-BOLLARDS

The Bollard Experts

- SELECT DESIRED MATERIAL:
(8" NOMINAL SIZE)
 - FCSC08080 SCH 80 ASTM A-53 CARBON STEEL
 - FSSCT08080 SCH 80 STAINLESS STEEL
- SELECT DESIRED STAINLESS STEEL BOLLARD FINISH:
 - POLISHED #4 FINISH
 - AS SPECIFIED _____
- SELECT DESIRED CARBON STEEL BOLLARD FINISH:
 - POWDER COAT RAL # 7042
 - AS SPECIFIED _____
- SELECT DESIRED STAINLESS STEEL BOLLARD MATERIAL:
 - TYPE 304
 - TYPE 316
- SELECT DESIRED BOLLARD CAP STYLE:
 - DOME
 - FLAT
 - REVEAL
 - SLOPED



REVISIONS			
LTR	DESCRIPTION	DATE	APPVD
COMMENTS			
SPECIFICATIONS			
HEIGHT: 36"			
DIAMETER: 8.625"			
WALL THICKNESS: 0.500"			



NOTES:
 1. INSTALLATION TO BE COMPLETED IN ACCORDANCE WITH MANUFACTURER'S SPECIFICATIONS.
 2. DO NOT SCALE DRAWING.
 3. THIS DRAWING IS INTENDED FOR USE BY ARCHITECTS, ENGINEERS, CONTRACTORS, CONSULTANTS AND DESIGN PROFESSIONALS FOR PLANNING AND INSTALLATION PURPOSES.
 4. ALL INFORMATION CONTAINED HEREIN WAS CURRENT AT THE TIME OF DEVELOPMENT BUT MUST BE REVIEWED AND APPROVED BY THE PRODUCT MANUFACTURER TO BE CONSIDERED ACCURATE.

APPLICATION		SERIES NUMBER:	CAGE CODE:	SIZE:	DRAWING NUMBER:
NEXT ASSY	USED ON	CT8000 FIXED	CT8	8	CT80F
		PRODUCT FAMILY:			
		30 MPH CRASH TESTED			
		PRODUCT CLASS:			
		STANDARD OR CUSTOMER DEFINED			
		PRODUCT LINE:			
		BOLLARD			
		PRODUCT SUB LINE:			
		FIXED			
		1-800-BOLLARDS, Inc.			
		10 Hughes Sutter ALOS			
		Irwin, CA 90610			
		PHONE: 1-800-BOLLARDS			
		WEB: WWW.1800BOLLARDS.COM			
		EMAIL: INFO@1800BOLLARDS.COM			
		TITLE:			
		BOLLARD, CT FIXED			
		CHECKED BY:			
		AJA			
		APPROVED BY:			
		RELEASE DATE:			
		1-3-2023			
		SHEET:			
		1 OF 1			

Deep Mount High Security Bollards



The 1-800-BOLLARDS Deep Mount High Security Bollards offer excellent crash-rated property protection for property and people. In addition to establishing a superior level of perimeter security, these removable or fixed carbon steel bollards are economically priced.

When it comes to strong, high impact perimeter protection, 1-800-BOLLARDS High Security Bollards meets the ASTM 2656 standards:

- **M30 certified bollard – stopped a 15,000 lb. vehicle traveling at 30 mph.**
- **M50 certified bollard – stopped a 15,000 lb. vehicle traveling at 50 mph.**

Deep Mount Bollards looks great in any of 200+ powder-coated colors or covered with a stainless steel sleeve. Superb protection can enhance a property's aesthetics and value.

FEATURES

CARBON Steel

- Powder-coated
- 200+ Color Choices

Certified Diameters: 8" & 10"

Certified Height: 42" & 39"

Options:

- Stainless Steel Cover – #4 Polished Finish
- Type 304 & Type 316 for harsher environments

CAP STYLES







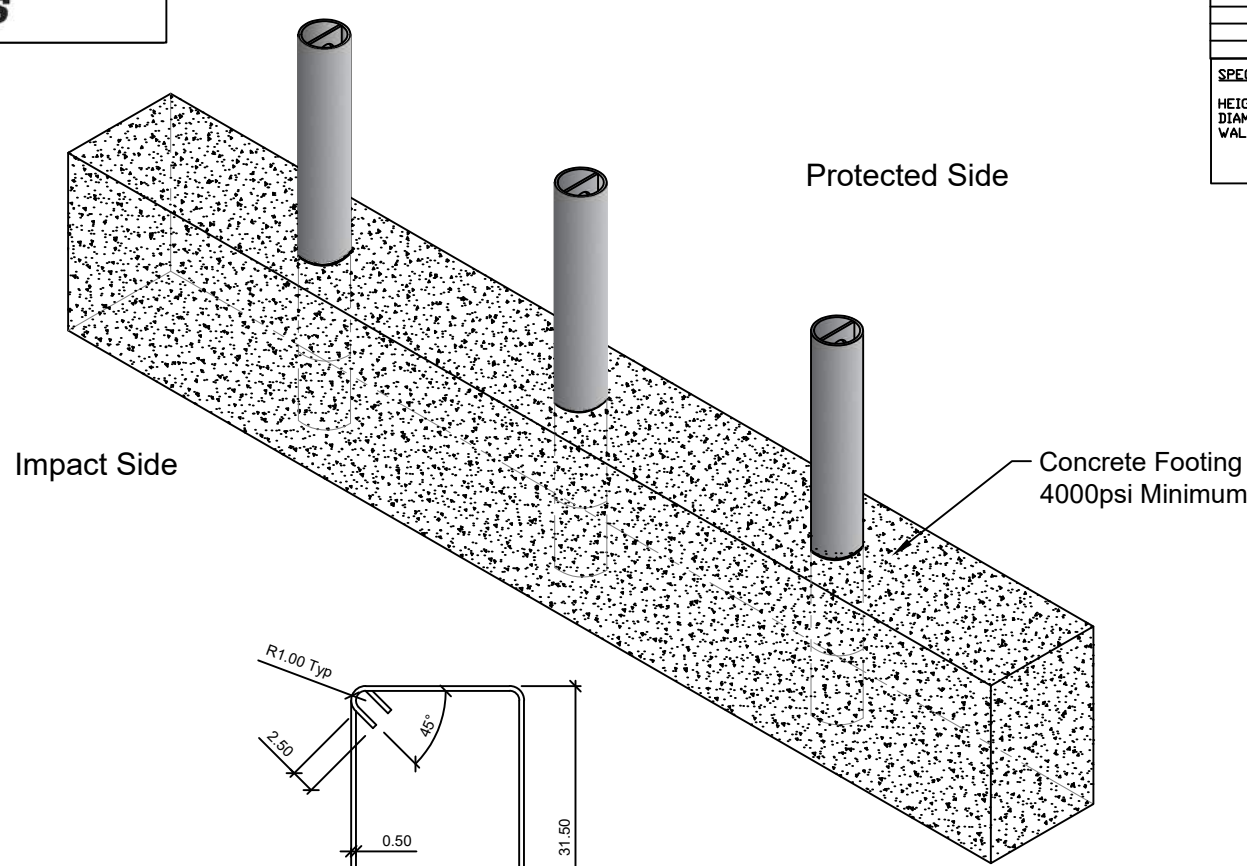
Deep Mount High Security	I.D.	O.D.	Height	Wall Thickness	Schedule	Weight
Removable Bollards M30	8"	8.62"	42"	.500"	80	330 LBS.
Fixed Bollards M30	8"	8.62"	42"	.500"	80	330 LBS.
Removable Bollards M50	10"	10.75"	39"	.500"	80	480 LBS.
Fixed Bollards M50	10"	10.75"	39"	.500"	80	480 LBS.

1-800-BOLLARDS

The Bollard Experts

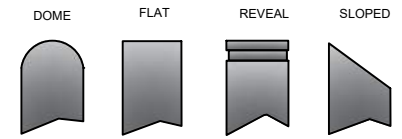
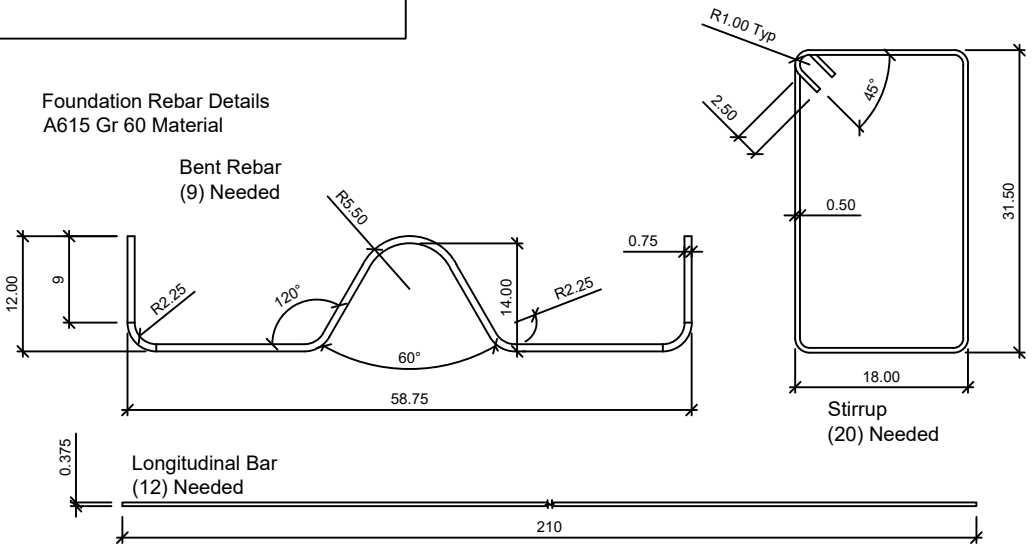
REVISIONS			
LTR	DESCRIPTION	DATE	APPVD
COMMENTS			
SPECIFICATIONS			
HEIGHT: 42"			
DIAMETER: 8.625"			
WALL THICKNESS: 0.500"			

- SELECT DESIRED MATERIAL:
(8" NOMINAL SIZE)
 - FDMSSM30 STAINLESS STEEL F2656-20 P1 M30
 - FDMCSM30 CARBON STEEL F2656-20 P1 M30
- SELECT DESIRED STAINLESS STEEL BOLLARD FINISH:
 - POLISHED #4 FINISH
 - AS SPECIFIED _____
- SELECT DESIRED CARBON STEEL BOLLARD FINISH:
 - POWDER COAT RAL # 7042
 - AS SPECIFIED _____
- SELECT DESIRED STAINLESS STEEL BOLLARD MATERIAL:
 - TYPE 304
 - TYPE 316
- SELECT DESIRED BOLLARD CAP STYLE:
 -  DOME
 -  FLAT
 -  REVEAL
 -  SLOPED



City of Pompano Development & Planning Services
DESIGN PROJECT
Building Planning
Engineering Public Works
Fire Traffic

Foundation Rebar Details
A615 Gr 60 Material



NOTES:
 1. INSTALLATION TO BE COMPLETED IN ACCORDANCE WITH MANUFACTURER'S SPECIFICATIONS.
 2. DO NOT SCALE DRAWING.
 3. THIS DRAWING IS INTENDED FOR USE BY ARCHITECTS, ENGINEERS, CONTRACTORS, CONSULTANTS AND DESIGN PROFESSIONALS FOR PLANNING AND INSTALLATION PURPOSES.
 4. ALL INFORMATION CONTAINED HEREIN WAS CURRENT AT THE TIME OF DEVELOPMENT BUT MUST BE REVIEWED AND APPROVED BY THE PRODUCT MANUFACTURER TO BE CONSIDERED ACCURATE.


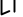

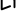
APPLICATION	
NEXT ASSY	USED ON

SERIES NUMBER: M30 DEEP FIXED	CAGE CODE: M30	SIZE: 8	DRAWING NUMBER: M30DMR
PRODUCT FAMILY: 30 MPH CRASH TESTED	DRAWN BY: AJA		
PRODUCT CLASS: STANDARD OR CUSTOMER DEFINED	CHECKED BY: SHEET 1 OF 1		
PRODUCT LINE: BOLLARD	APPROVED BY: RELEASE DATE: 1-3-2023		
PRODUCT SUB LINE: FIXED	TITLE: BOLLARD, M30 FIXED		
1-800-BOLLARDS, Inc. 10 Hughes Sutter Alcos Irvine, CA 92618 PHONE: 1-800-BOLLARDS WEB: WWW.1800BOLLARDS.COM EMAIL: INFO@1800BOLLARDS.COM			

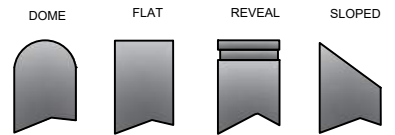
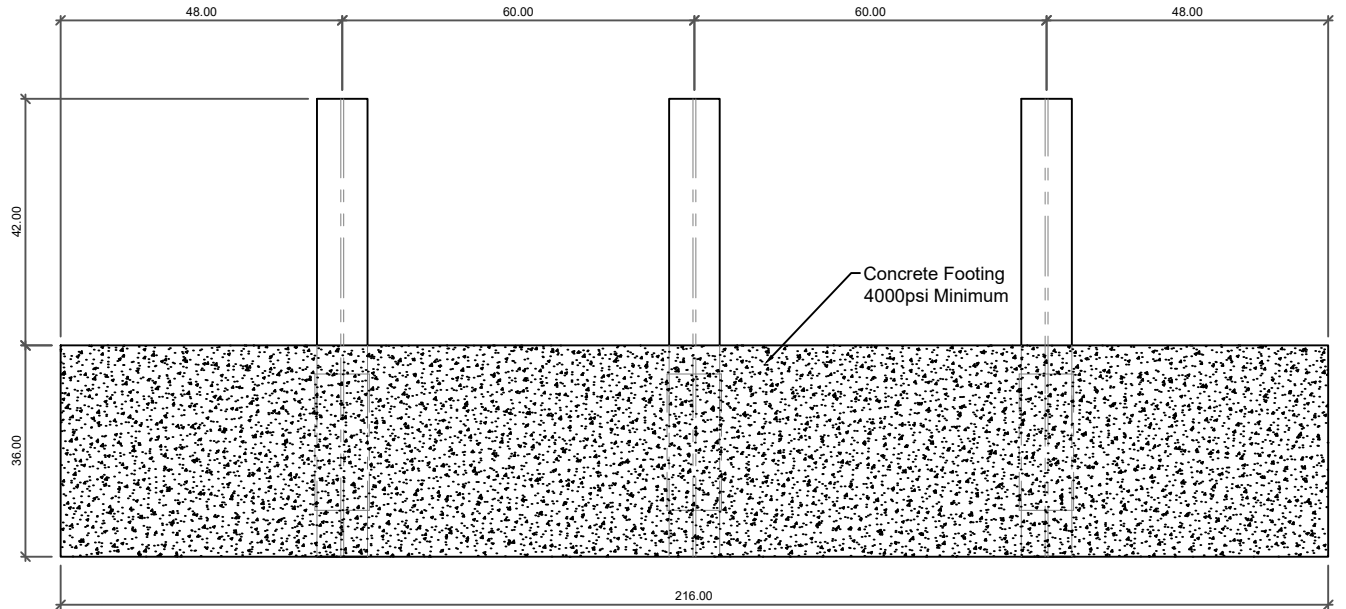
1-800-BOLLARDS

The Bollard Experts

REVISIONS			
LTR	DESCRIPTION	DATE	APPVD
COMMENTS			
SPECIFICATIONS			
HEIGHT: 42"			
DIAMETER: 8.625"			
WALL THICKNESS: 0.500"			

- SELECT DESIRED MATERIAL:
(8" NOMINAL SIZE)
 - FDMSSM30 STAINLESS STEEL F2656-20 P1 M30
 - FDMCSM30 CARBON STEEL F2656-20 P1 M30
- SELECT DESIRED STAINLESS STEEL BOLLARD FINISH:
 - POLISHED #4 FINISH
 - AS SPECIFIED _____
- SELECT DESIRED CARBON STEEL BOLLARD FINISH:
 - POWDER COAT RAL # 7042
 - AS SPECIFIED _____
- SELECT DESIRED STAINLESS STEEL BOLLARD MATERIAL:
 - TYPE 304
 - TYPE 316
- SELECT DESIRED BOLLARD CAP STYLE:
 -  DOME
 -  FLAT
 -  REVEAL
 -  SLOPED

City of Pomona Development & Planning Services 80000 DISTRICT
Building
Engineering
Plan
Utility







APPLICATION		TITLE	
NEXT ASSY	USED ON	BOLLARD, M30 FIXED	

SERIES NUMBER:	M30 DEEP FIXED	CAGE CODE:	M30	SIZE:	8	DRAWING NUMBER:	M30DMR
PRODUCT FAMILY:	30 MPH CRASH TESTED	DRAWN BY:	AJA	DRAWING REV:		CHECKED BY:	
PRODUCT CLASS:	STANDARD OR CUSTOMER DEFINED	PRODUCT LINE:	BOLLARD	PRODUCT SUB LINE:	FIXED	SHEET:	1 OF 1
1-800-BOLLARDS, Inc.				APPROVED BY:			
10 Hughes Suite A105				RELEASE DATE: 1-3-2023			
Irvine, CA 92618							
PHONE: 1-800-BOLLARDS							
WEB: WWW.1800BOLLARDS.COM							
EMAIL: INFO@1800BOLLARDS.COM							

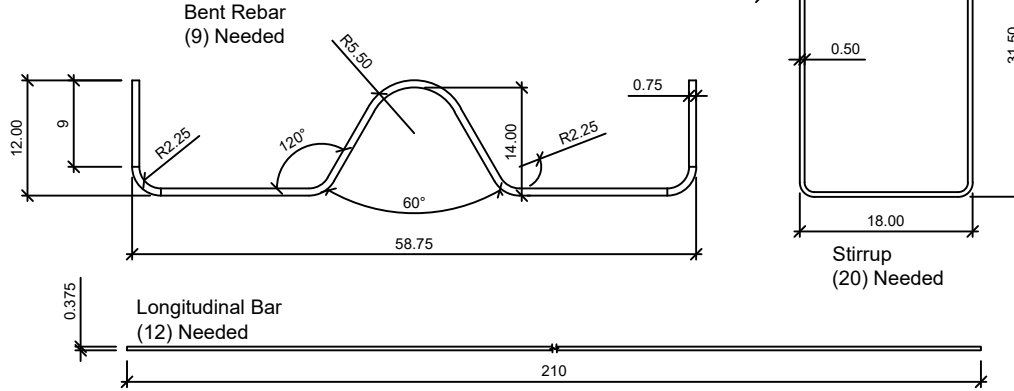
NOTE:
 1. INSTALLATION TO BE COMPLETED IN ACCORDANCE WITH MANUFACTURER'S SPECIFICATIONS.
 2. DO NOT SCALE DRAWING.
 3. THIS DRAWING IS INTENDED FOR USE BY ARCHITECTS, ENGINEERS, CONTRACTORS, CONSULTANTS AND DESIGN PROFESSIONALS FOR PLANNING AND INSTALLATION PURPOSES.
 4. ALL INFORMATION CONTAINED HEREIN WAS CURRENT AT THE TIME OF DEVELOPMENT BUT MUST BE REVIEWED AND APPROVED BY THE PRODUCT MANUFACTURER TO BE CONSIDERED ACCURATE.

1-800-BOLLARDS

The Bollard Experts

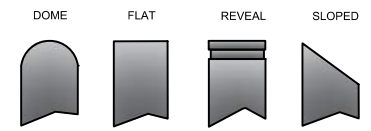
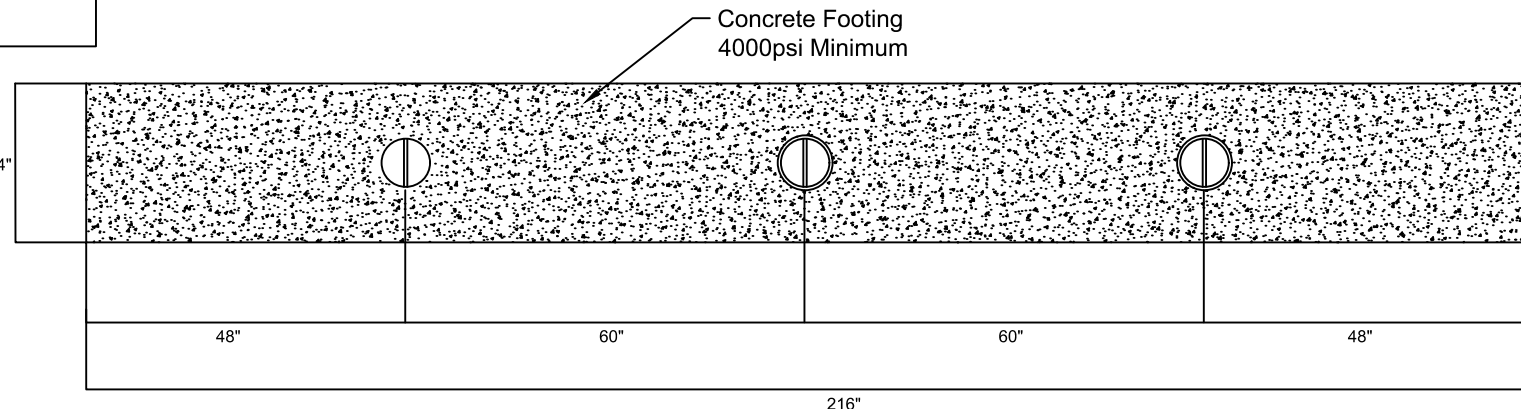
- SELECT DESIRED MATERIAL:
(8" NOMINAL SIZE)
 - FDMSSM30 STAINLESS STEEL F2656-20 P1 M30
 - FDMCSM30 CARBON STEEL F2656-20 P1 M30
- SELECT DESIRED STAINLESS STEEL BOLLARD FINISH:
 - POLISHED #4 FINISH
 - AS SPECIFIED _____
- SELECT DESIRED CARBON STEEL BOLLARD FINISH:
 - POWDER COAT RAL # 7042
 - AS SPECIFIED _____
- SELECT DESIRED STAINLESS STEEL BOLLARD MATERIAL:
 - TYPE 304
 - TYPE 316
- SELECT DESIRED BOLLARD CAP STYLE:
 -  DOME
 -  FLAT
 -  REVEAL
 -  SLOPED

Foundation Rebar Details
A615 Gr 60 Material



REVISIONS			
LTR	DESCRIPTION	DATE	APP
COMMENTS			

SPECIFICATIONS
 HEIGHT: 42"
 DIAMETER: 8.625"
 WALL THICKNESS: 0.500"



NOTES:
 1. INSTALLATION TO BE COMPLETED IN ACCORDANCE WITH MANUFACTURER'S SPECIFICATIONS.
 2. DO NOT SCALE DRAWING.
 3. THIS DRAWING IS INTENDED FOR USE BY ARCHITECTS, ENGINEERS, CONTRACTORS, CONSULTANTS AND DESIGN PROFESSIONALS FOR PLANNING AND INSTALLATION PURPOSES.
 4. ALL INFORMATION CONTAINED HEREIN WAS CURRENT AT THE TIME OF DEVELOPMENT BUT MUST BE REVIEWED AND APPROVED BY THE PRODUCT MANUFACTURER TO BE CONSIDERED ACCURATE.

APPLICATION		TITLE	
NEXT ASBY	USED IN	BOLLARD, M30 FIXED	

SERIES NUMBER	M30 DEEP FIXED	CAGE CODE	M30	SIZE	8	DRAWING NUMBER	M30DMR
PRODUCT FAMILY	30 MPH CRASH TESTED	DRAWN BY	AJA	DESIGNED BY		DATE	
PRODUCT CLASS	STANDARD OR CUSTOMER DEFINED	CHECKED BY		APPROVED BY		SHEET	1 OF 1
PRODUCT LINE	BOLLARD	RELEASE DATE	1-3-2023				
PRODUCT SUB LINE	FIXED						

1-800-BOLLARDS, Inc.
 10 Hughes Suite 1100
 Irvine, CA 92618
 PHONE: 1-800-BOLLARDS
 WEB: WWW.1800BOLLARDS.COM
 EMAIL: INFO@1800BOLLARDS.COM