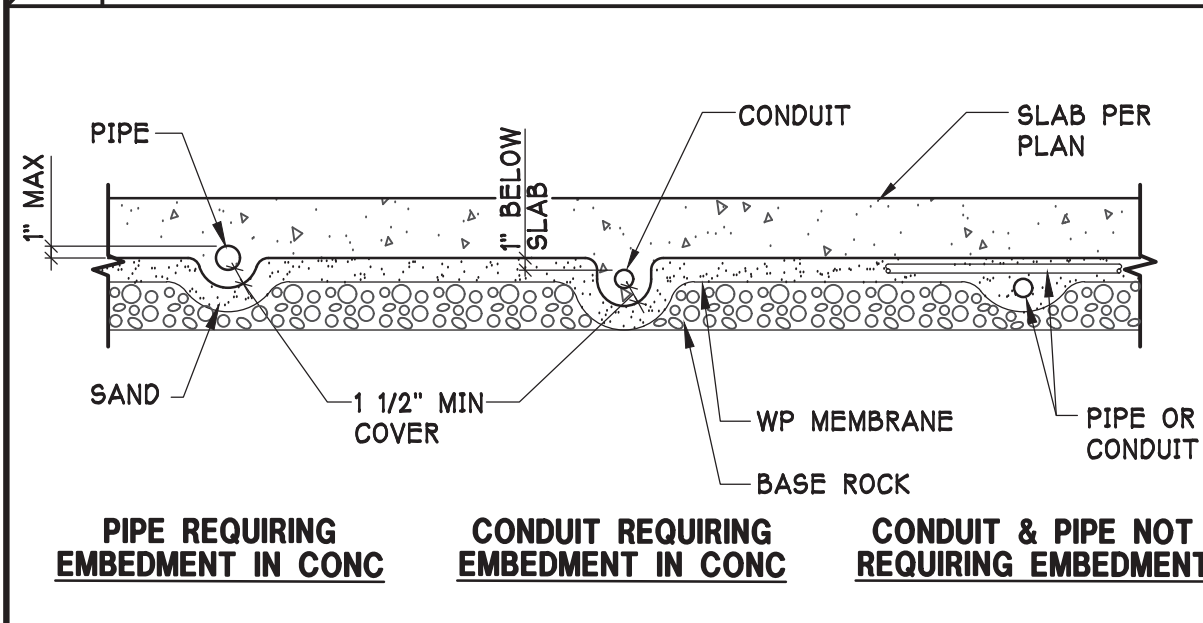
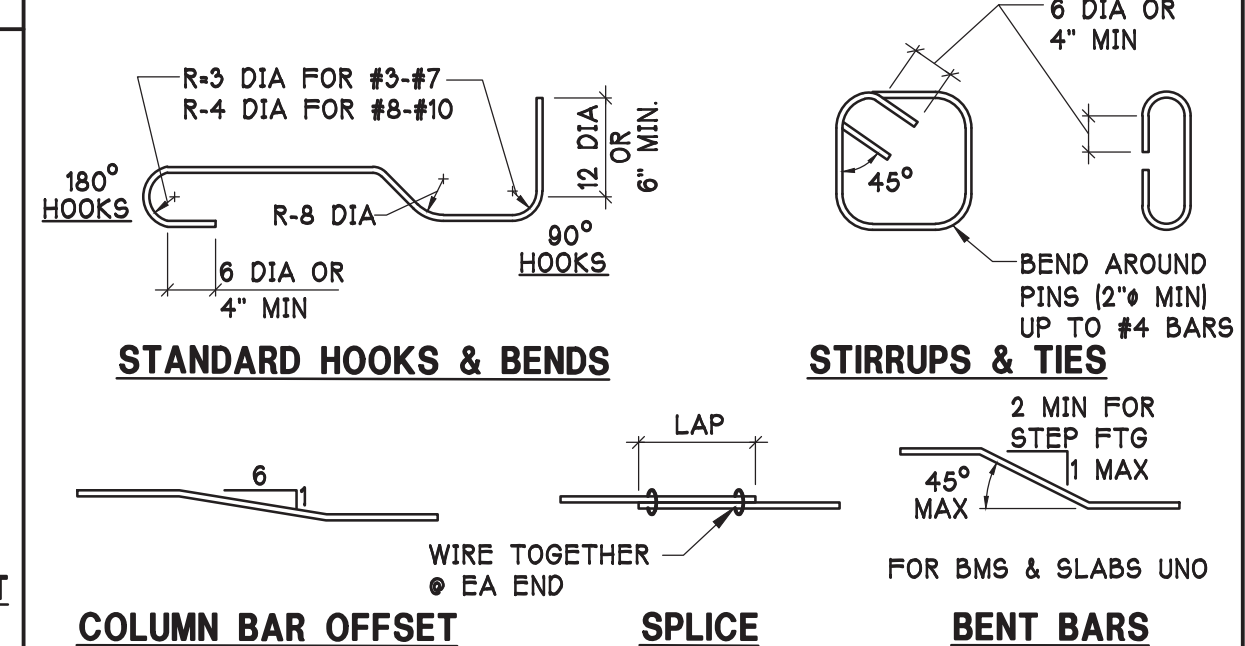


A S22 SLAB JOINT DETAILS 3/4" = 1'-0"

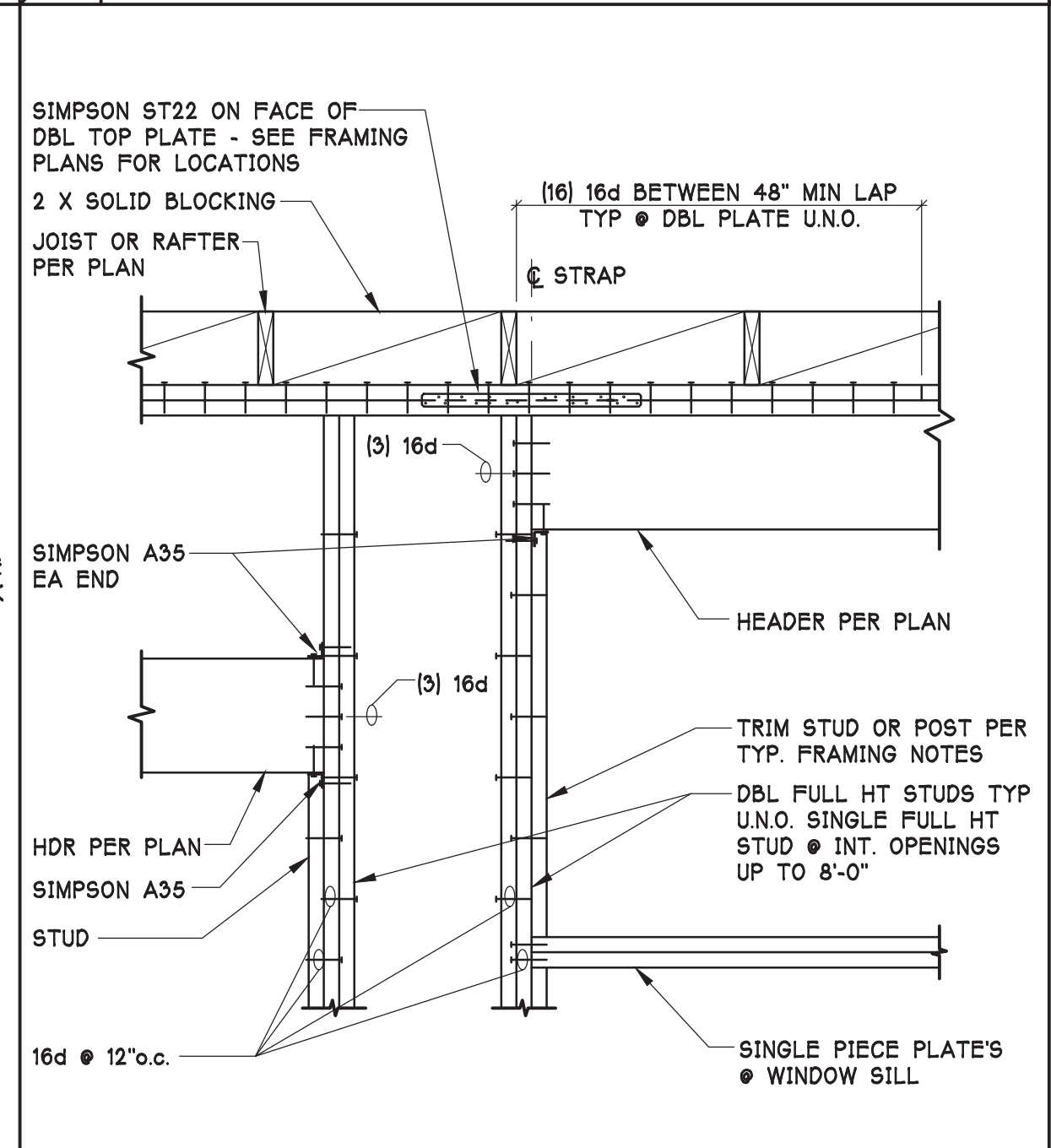
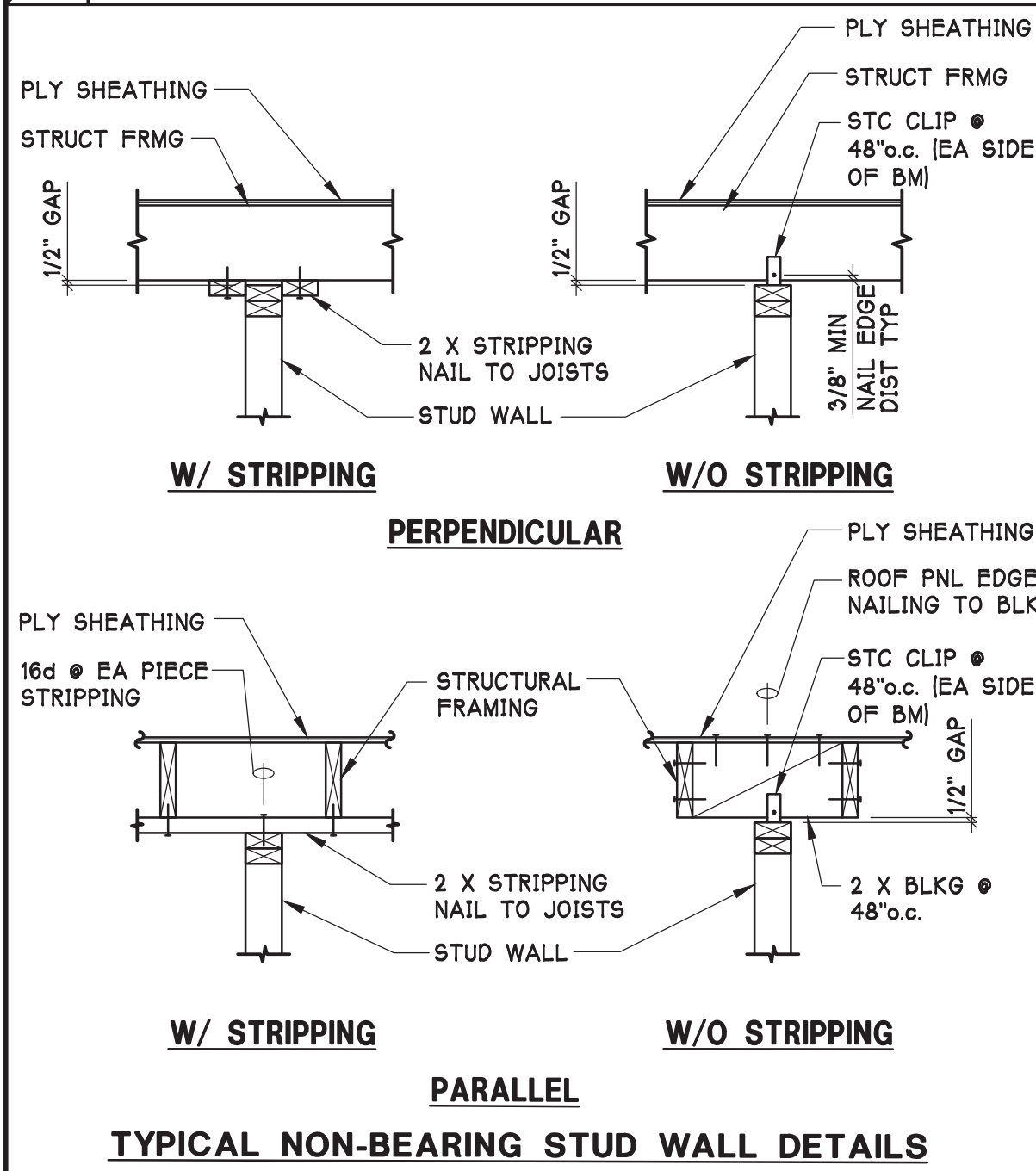
MINIMUM BAR LAPS FOR REINFORCING STEEL CONCRETE STRENGTH: SEE BELOW (CLASS B SPLICE - STAGGER SPLICES)					
SIZE	LAP LENGTH 3000 PSI OR LESS		SIZE	LAP LENGTH 4000 PSI OR LESS	
#3	24"	24"	#7	63"	54"
#4	29"	25"	#8	72"	62"
#5	36"	31"	#9	81"	69"
#6	43"	38"	#10	90"	77"

MINIMUM BAR SPACING (INCLUDING LAPS). 2" CLR OR 1 1/2" X BAR DIAMETER
1.5 X LAP EQUALS 150% LAP LENGTH REQUIRED
ALL REINFORCING BARS SHALL EXTEND AS FAR AS POSSIBLE AND END IN
A STANDARD 90 OR 180 HOOK UNLESS DETAILED OTHERWISE



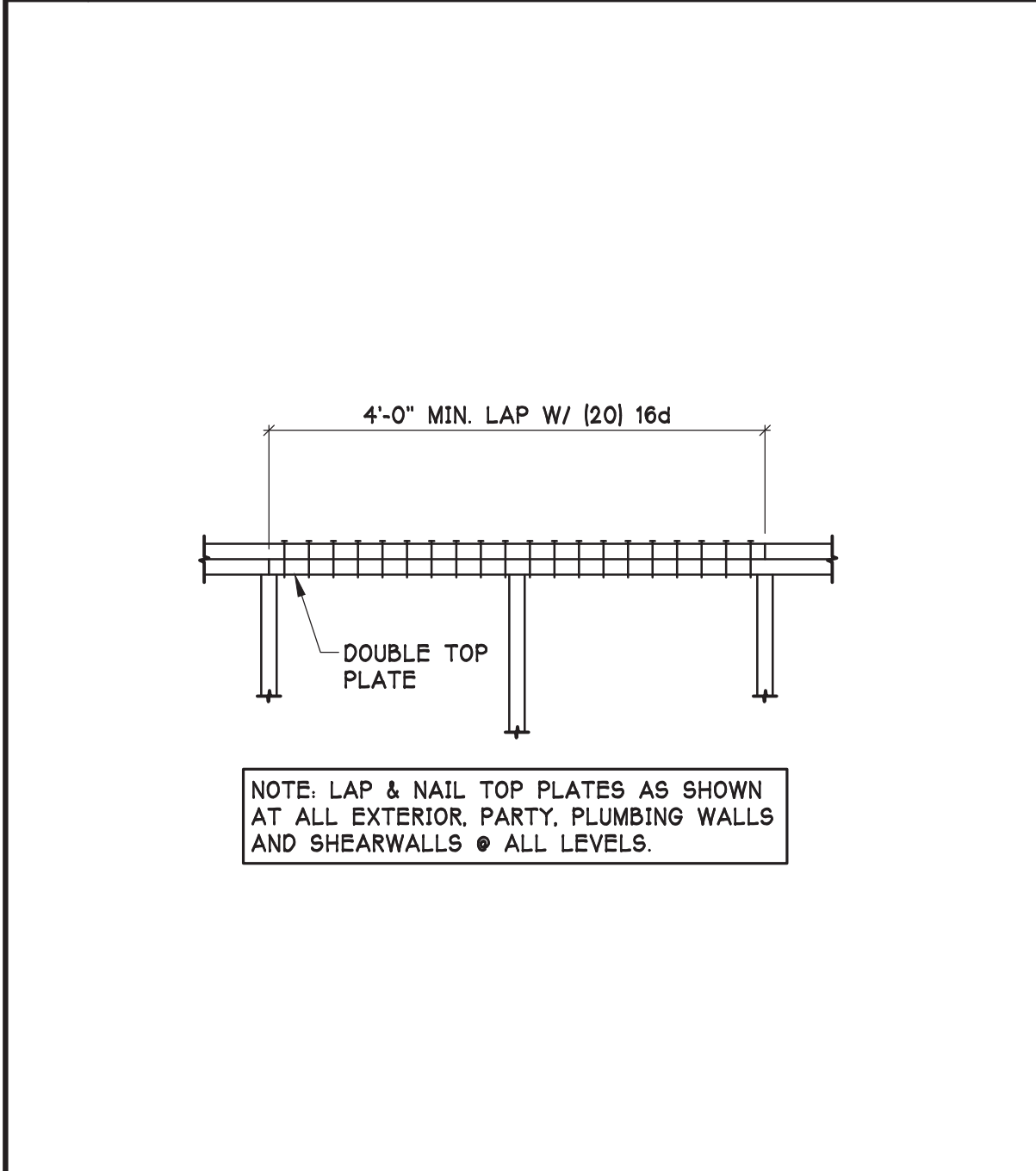
B S22 TYP. REINFORCING DETAIL 3/4" = 1'-0"

C S22 TYP. REINFORCING DETAILS 3/4" = 1'-0"

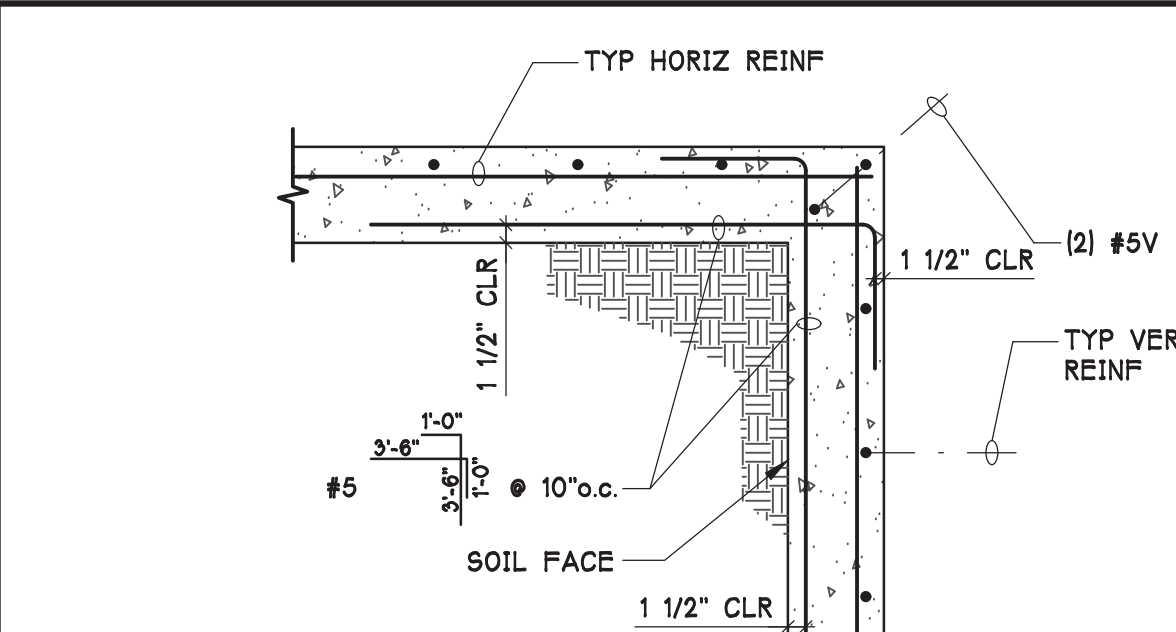


G S22 STUD WALL DETAILS 3/4" = 1'-0"

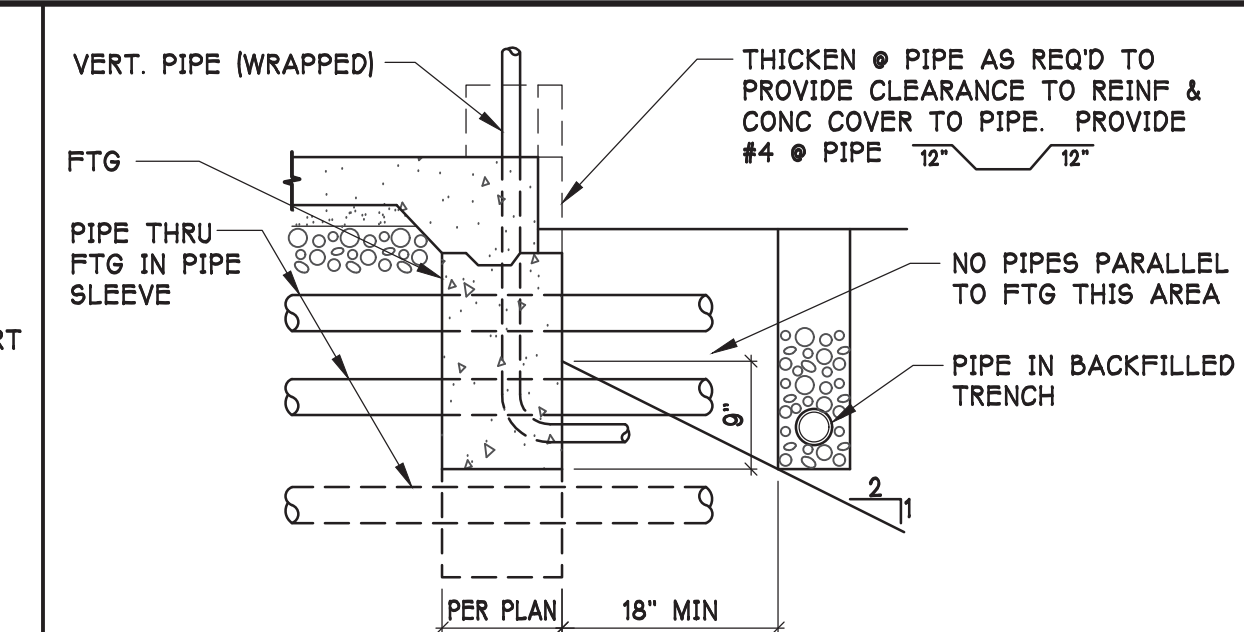
H S22 STUD WALL & HDR DETAIL 3/4" = 1'-0"



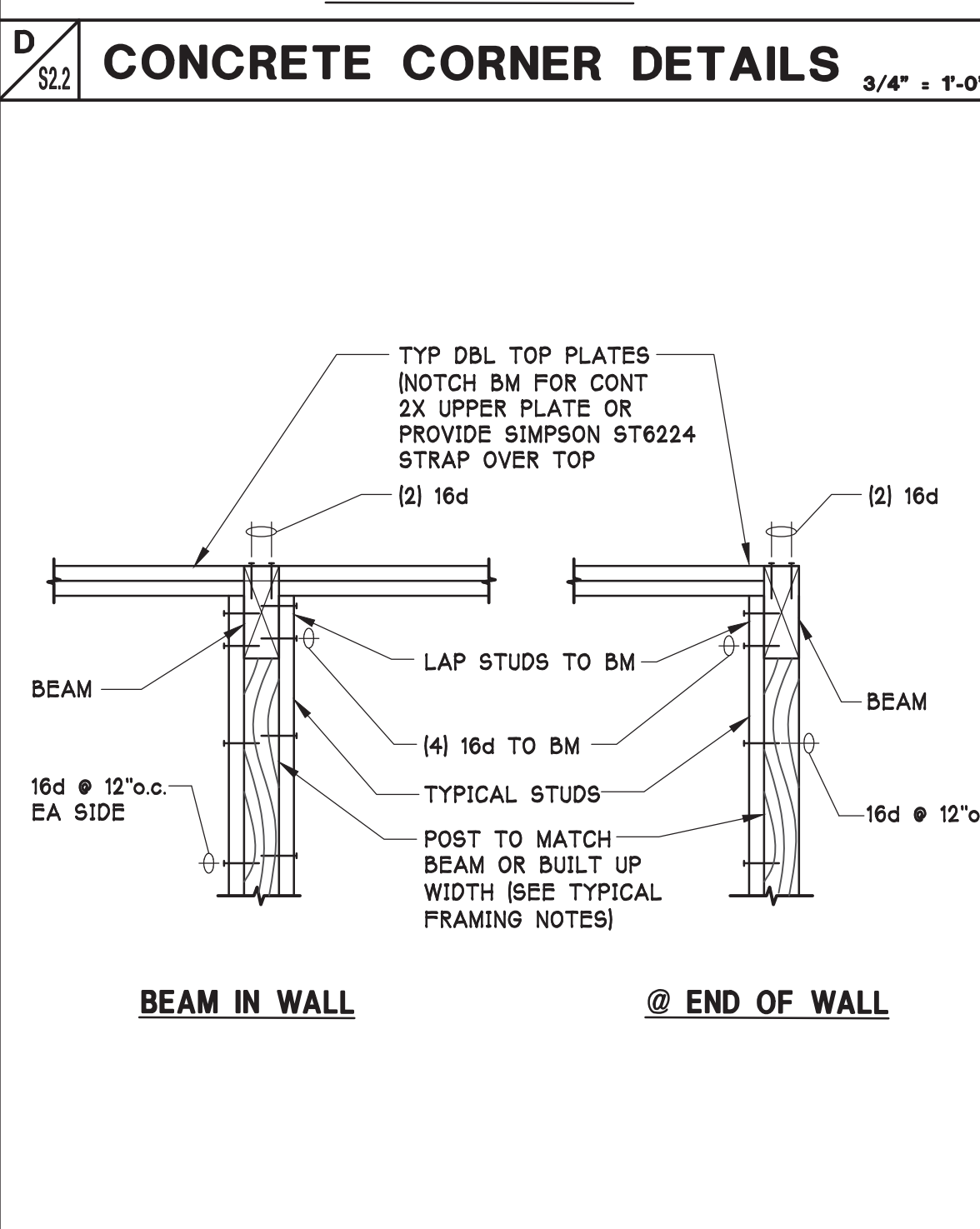
M S22 DBL TOP PLATE SPLICE 3/4" = 1'-0"



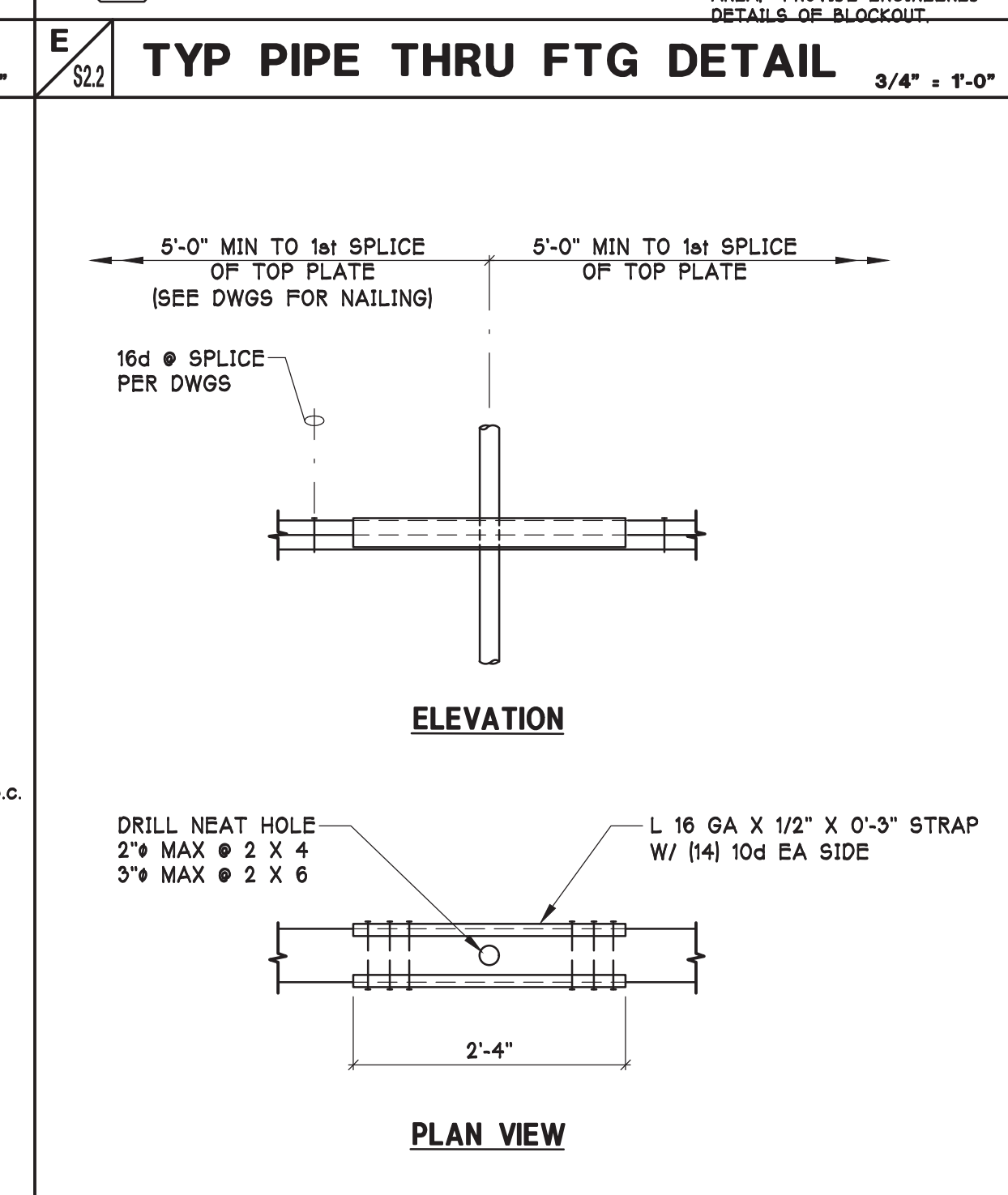
D S22 CONCRETE CORNER DETAILS 3/4" = 1'-0"



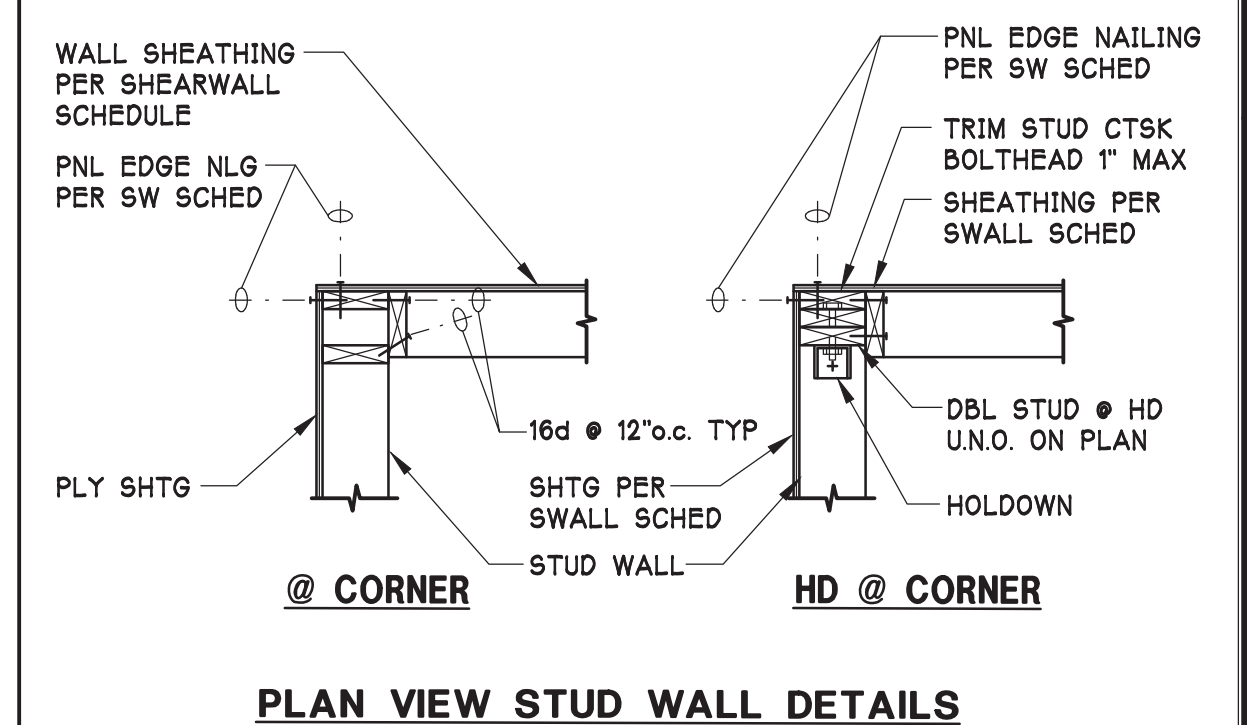
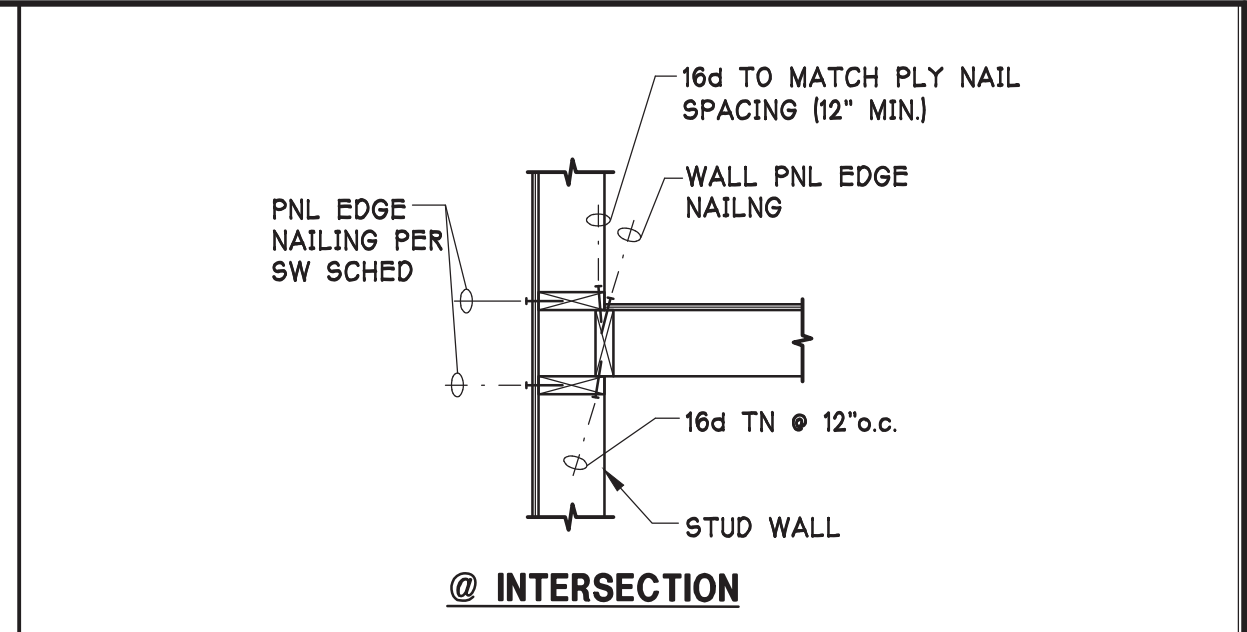
E S22 TYP PIPE THRU FTG DETAIL 3/4" = 1'-0"



J S22 BEAM IN & THRU STUD WALL 3/4" = 1'-0"



K S22 PIPE THRU DBL TOP PLATE 3/4" = 1'-0"



F S22 STUD WALL DETAILS 3/4" = 1'-0"

L S22 HOLES IN STUDS, JOISTS & BEAMS 3/4" = 1'-0"

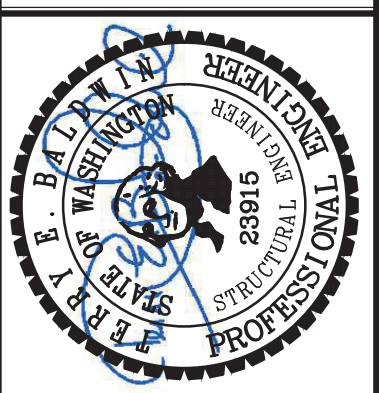
City of Puyallup Development & Permitting Services ISSUED PERMIT	
Building	Planning
Engineering	Public Works
Fire	Traffic

REVISIONS	DATE	DESCRIPTION

PRGA20241682

B & T DESIGN & ENGINEERING, INC.
2501 S. SUNSET WAY
PUYALLUP, WA 98407
(253) 857-0770 (PHONE)
(253) 857-0766 (FAX)

B&T
DESIGN & ENGINEERING



LOCKWOOD GARAGE/SHOP
3305 S FRUITLAND AVE
PUYALLUP, WA 98373

PROJECT TITLE

STANDARD DETAILS

SHEET TITLE

PROJECT	24056
DATE	10/17/24
DRAWN	NH
CHKD.	JT
SHEET :	

S2.2

OF

24056-S2-1 10/17/24