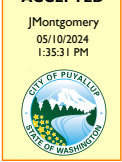


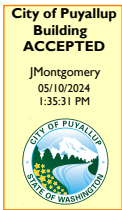
PERMITTEE ON SITE FOR ALL
INSPECTIONS



ALLIANCE
TRUSS

BRADLEY HEIGHTS SS LLC

FULL SIZED LEDGIBLE COLOR REPORT
IS REQUIRED TO BE PROVIDED BY THE
PERMITTEE ON SITE FOR ALL
INSPECTIONS



BRADLEY HEIGHTS APARTMENTS BUILDINGS 'A' Through 'H' 202 27th Avenue SE Puyallup, WA

SUBMITTAL #2

Date: Sept. 16, 2024

Alliance Job # N0653

Representative: Craig Westerberg

PRMU20240282 BLDG E

MiTek Canada, Inc.

240 Stirling Crescent
Bradford, ON. Canada L3Z 4L5
Phone (905) 952-2900
Toll Free (800) 268-3434

Re: N0653A
Buildings A-H

The truss drawing(s) referenced below have been prepared by MiTek USA, Inc. under my direct supervision based on the parameters provided by Alliance Truss (CA).

Pages or sheets covered by this seal: U1530820 thru U1530901

My license renewal date for the state of Washington is February 17, 2026.



September 12, 2024

Garcia, Juan

IMPORTANT NOTE: The seal on these truss component designs is a certification that the engineer named is licensed in the jurisdiction(s) identified and that the designs comply with ANSI/TPI 1. These designs are based upon parameters shown (e.g., loads, supports, dimensions, shapes and design codes), which were given to MiTek or TRENCO. Any project specific information included is for MiTek's or TRENCO's customers file reference purpose only, and was not taken into account in the preparation of these designs. MiTek or TRENCO has not independently verified the applicability of the design parameters or the designs for any particular building. Before use, the building designer should verify applicability of design parameters and properly incorporate these designs into the overall building design per ANSI/TPI 1, Chapter 2.

MiTek Canada, Inc.

240 Stirling Crescent
Bradford, ON. Canada L3Z 4L5
Phone (905) 952-2900
Toll Free (800) 268-3434

Re: N0653A
Buildings A-H

The truss drawing(s) referenced below have been prepared by MiTek USA, Inc. under my direct supervision based on the parameters provided by Alliance Truss (CA).

Pages or sheets covered by this seal: U1530772 thru U1530819

My license renewal date for the state of Washington is February 17, 2026.



September 12, 2024

Garcia, Juan

IMPORTANT NOTE: The seal on these truss component designs is a certification that the engineer named is licensed in the jurisdiction(s) identified and that the designs comply with ANSI/TPI 1. These designs are based upon parameters shown (e.g., loads, supports, dimensions, shapes and design codes), which were given to MiTek or TRENCO. Any project specific information included is for MiTek's or TRENCO's customers file reference purpose only, and was not taken into account in the preparation of these designs. MiTek or TRENCO has not independently verified the applicability of the design parameters or the designs for any particular building. Before use, the building designer should verify applicability of design parameters and properly incorporate these designs into the overall building design per ANSI/TPI 1, Chapter 2.

Job	Truss	Truss Type	Qty	Ply	Buildings A-H	U1530772
N0653A	A1	GABLE	7	1		

Alliance Truss (CA), Abbotsford, BC - V2S 7P6, 8.630 s Jul 12 2024 MiTek Industries, Inc. Thu Sep 12 02:47:22 2024 Page 1

ID:hFyjDMxrTsEK_kgkR0vWWVzFgC-RfC?PsB70Hq3NSgPqnL8w3ulTXbGKWrCDoi7J4zJC?f



Scale = 1:69.1

Plate Offsets (X,Y)--	[B:0-5-0,0-2-0], [B:0-11-7,0-1-8], [D:0-3-0,0-2-0], [E:0-1-12,0-1-8], [G:0-1-4,0-1-8], [H:0-4-0,0-1-3], [J:Edge,0-3-4], [Q:0-3-0,0-3-4], [T:0-2-4,0-3-0]
-----------------------	--

LOADING (psf)	SPACING-	CSI.	DEFL.	in (loc)	l/defl	L/d	PLATES	GRIP
TCLL 25.0 (Roof Snow=25.0)	2-0-0 Plate Grip DOL 1.15	TC 0.90	Vert(LL) -0.14	S-T	>999	360	MT20	197/144
TCDL 12.0	Lumber DOL 1.15	BC 1.00	Vert(CT) -0.24	S-T	>616	240	MT18HS	197/144
BCLL 0.0 *	Rep Stress Incr YES	WB 0.92	Horz(CT) -0.14	K	n/a	n/a		
BCDL 10.0	Code IBC2018/TPI2014	Matrix-MS	Wind(LL) 0.10	S-T	>999	240	Weight: 224 lb	FT = 20%

LUMBER-	BRACING-
TOP CHORD 2x4 SPF No.2	TOP CHORD Structural wood sheathing directly applied or 2-2-0 oc purlins, except end verticals.
BOT CHORD 2x4 SPF No.2	BOT CHORD Rigid ceiling directly applied or 1-4-12 oc bracing.
WEBS 2x4 SPF No.2 *Except*	WEBS 1 Row at midpt E-T, G-S, I-J
E-S: 2x3 SPF No.2, H-O: 2x4 SPF 2100F 1.8E	2 Rows at 1/3 pts H-O, H-J
OTHERS 2x3 SPF No.2	

REACTIONS. All bearings 12-6-0 except (jt=length) B=0-5-8, T=0-5-8, R=0-5-8.
 (lb) - Max Horz B=767(LC 35)
 Max Uplift All uplift 100 lb or less at joint(s) P, K, R except B=683(LC 32), T=1390(LC 40), O=3168(LC 32), J=2861(LC 39)
 Max Grav All reactions 250 lb or less at joint(s) L, M, N, P, K, R except B=862(LC 27), T=1967(LC 29), O=3358(LC 53), J=2755(LC 32)

FORCES. (lb) - Max. Comp./Max. Ten. - All forces 250 (lb) or less except when shown.
 TOP CHORD B-C=-1871/1661, C-E=-1589/1525, E-G=-1305/1048, G-H=-2223/2315, H-I=-744/785
 BOT CHORD B-T=-1672/1563, S-T=-3848/3965, R-S=-4478/4400, P-R=-4445/4400, O-P=-2509/2431,
 N-O=-4102/4141, M-N=-3325/3278, L-M=-2136/2089, K-L=-948/900, J-K=-950/903
 WEBS C-T=-510/168, E-T=-2789/2606, E-S=-694/690, G-S=-798/1220, G-O=-1104/584,
 H-O=-3890/3747, H-J=-2804/2891

- NOTES-**
- 1) Wind: ASCE 7-16; Vult=115mph (3-second gust) Vasd=91mph; TCDL=4.2psf; BCDL=5.0psf; h=30ft; Ke=1.00; Cat. II; Exp B; Enclosed; MWFRS (envelope) gable end zone; cantilever left and right exposed; end vertical left and right exposed; Lumber DOL=1.33 plate grip DOL=1.33
 - 2) Truss designed for wind loads in the plane of the truss only. For studs exposed to wind (normal to the face), see Standard Industry Gable End Details as applicable, or consult qualified building designer as per ANSI/TPI 1.
 - 3) TCLL: ASCE 7-16; Pf=25.0 psf (Lum DOL=1.15 Plate DOL=1.15); Is=1.0; Rough Cat B; Partially Exp.; Ce=1.0; Cs=1.00; Ct=1.10
 - 4) Unbalanced snow loads have been considered for this design.
 - 5) This truss has been designed for greater of min roof live load of 20.0 psf or 2.00 times flat roof load of 25.0 psf on overhangs non-concurrent with other live loads.
 - 6) All plates are MT20 plates unless otherwise indicated.
 - 7) All plates are 1.5x4 MT20 unless otherwise indicated.
 - 8) Gable studs spaced at 2-0-0 oc.
 - 9) This truss has been designed for a 10.0 psf bottom chord live load nonconcurrent with any other live loads.
 - 10) * This truss has been designed for a live load of 20.0psf on the bottom chord in all areas where a rectangle 3-6-0 tall by 2-0-0 wide will fit between the bottom chord and any other members, with BCDL = 10.0psf.
 - 11) Provide mechanical connection (by others) of truss to bearing plate O, R except (jt=lb) B=683, T=1390, O=3168, J=2861.
 - 12) This truss is designed in accordance with the 2018 International Building Code section 2306.1 and referenced standard ANSI/TPI 1.

PRMU20240282 BLDG E



September 12, 2024

Continued on page 2

WARNING - Verify design parameters and READ NOTES ON THIS AND INCLUDED MITEK REFERENCE PAGE MII-7473 rev. 6/30/2020 BEFORE USE.

Design valid for use only with MiTek® connectors. This design is based only upon parameters shown, and is for an individual building component, not a truss system. Before use, the building designer must verify the applicability of design parameters and properly incorporate this design into the overall building design. Bracing indicated is to prevent buckling of individual truss web and/or chord members only. Additional temporary and permanent bracing is always required for stability and to prevent collapse with possible personal injury and property damage. For general guidance regarding the fabrication, storage, delivery, erection and bracing of trusses and truss systems, see

ANSI/TPI1 Quality Criteria, DSB-89 and BCSI Building Component Safety Information available from Truss Plate Institute, 2670 Crain Highway, Suite 203 Waldorf, MD 20601



240 Stirling Crescent
Bradford, ON. L3Z 4L5

Job	Truss	Truss Type	Qty	Ply	Buildings A-H	U1530772
N0653A	A1	GABLE	7	1	Job Reference (optional)	

Alliance Truss (CA), Abbotsford, BC - V2S 7P6,

8.630 s Jul 12 2024 MiTek Industries, Inc. Thu Sep 12 02:47:23 2024 Page 2
 ID:hFyjDMxrTsEK_kgkR0vWWVzFgc-RfC?PsB70Hq3NSgPqnL8w3ulTXbGKWrCDoi7J4zJC?f

NOTES-

- 13) This truss has been designed for a total drag load of 240 plf. Lumber DOL=(1.33) Plate grip DOL=(1.33) Connect truss to resist drag loads along bottom chord from 18-5-8 to 30-11-8 for 594.4 plf.
- 14) No notches allowed in overhang and 10408 from left end and 0 from right end or 12" along rake from scarf, whichever is larger. Minimum 1.5x4 tie plates required at 2-0-0 o.c. maximum between the stacking chords. For edge-wise notching, provide at least one tie plate between each notch.

PRMU20240282 BLDG E

WARNING - Verify design parameters and READ NOTES ON THIS AND INCLUDED MITEK REFERENCE PAGE MII-7473 rev. 6/30/2020 BEFORE USE.
 Design valid for use only with MiTek® connectors. This design is based only upon parameters shown, and is for an individual building component, not a truss system. Before use, the building designer must verify the applicability of design parameters and properly incorporate this design into the overall building design. Bracing indicated is to prevent buckling of individual truss web and/or chord members only. Additional temporary and permanent bracing is always required for stability and to prevent collapse with possible personal injury and property damage. For general guidance regarding the fabrication, storage, delivery, erection and bracing of trusses and truss systems, see **ANSI/TPI1 Quality Criteria, DSB-89 and BCSI Building Component Safety Information** available from Truss Plate Institute, 2670 Crain Highway, Suite 203 Waldorf, MD 20601



Job	Truss	Truss Type	Qty	Ply	Buildings A-H	U1530773
N0653A	A2	Common	28	1		

Alliance Truss (CA), Abbotsford, BC - V2S 7P6,

8.630 s Jul 12 2024 MiTek Industries, Inc. Thu Sep 12 02:47:23 2024 Page 1

ID:hFyjDMxRTsEK_kgkR0vWWVzFfgC-RfC?PsB70Hq3NSgPqnL8w3ulTXbGKWrCD0i7J4zJC?f



Scale = 1:60.7

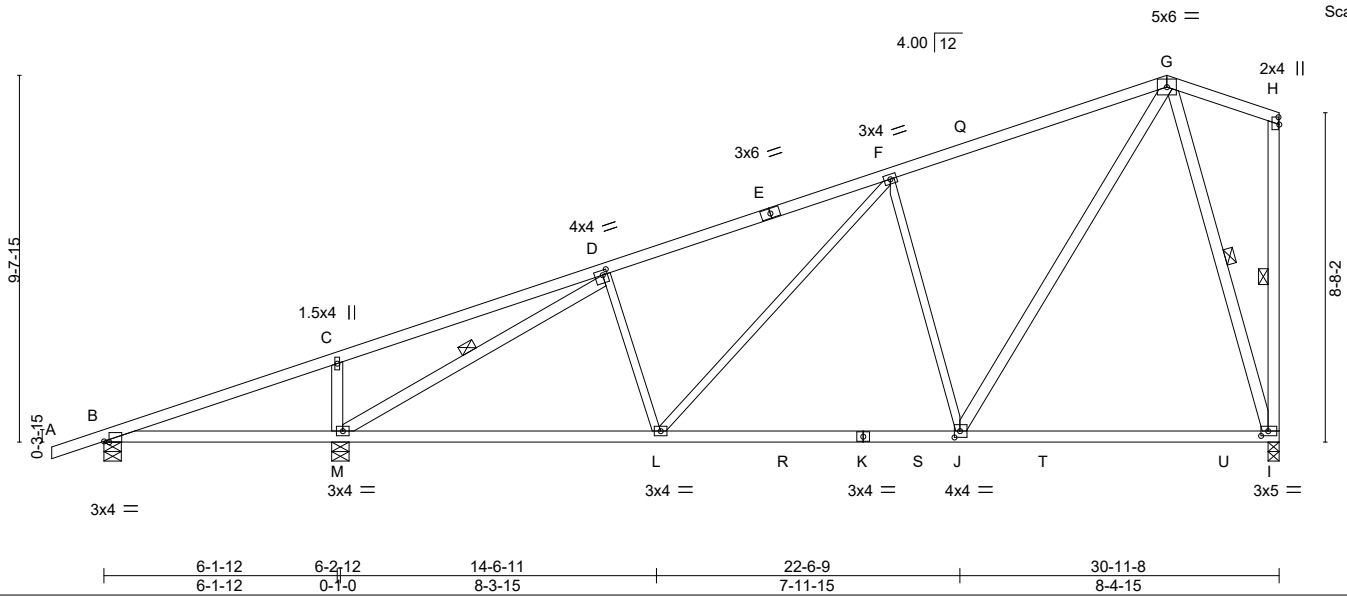


Plate Offsets (X,Y)--	[B:0-1-10,Edge], [D:0-1-8,0-1-8], [H:0-2-5,0-0-4], [I:0-2-4,0-1-8], [J:0-1-12,0-2-0]
-----------------------	--

LOADING (psf)	SPACING-	CSI.	DEFL.	PLATES	GRIP
TCLL 25.0 (Roof Snow=25.0)	2-0-0 Plate Grip DOL 1.15 Lumber DOL 1.15	TC 0.84 BC 0.80 WB 1.00 Matrix-MS	in (loc) l/defl L/d Vert(LL) -0.23 I-J >999 360 Vert(CT) -0.37 I-J >800 240 Horz(CT) 0.04 I n/a n/a Wind(LL) 0.04 J-L >999 240	MT20	197/144
TCDL 12.0	Rep Stress Incr YES			Weight: 134 lb	FT = 20%
BCLL 0.0 *	Code IBC2018/TPI2014				
BCDL 10.0					

LUMBER-	BRACING-
TOP CHORD 2x4 SPF No.2	TOP CHORD Structural wood sheathing directly applied or 3-6-8 oc purlins, except end verticals.
BOT CHORD 2x4 SPF No.2	BOT CHORD Rigid ceiling directly applied or 10-0-0 oc bracing, Except:
WEBS 2x4 SPF No.2 *Except* D-L,F-L,F-J: 2x3 SPF No.2	WEBS 1 Row at midpt D-M, H-I, G-I

REACTIONS. (size) B=0-5-8, M=0-5-8, I=0-3-8
 Max Horz B=276(LC 9)
 Max Uplift B=-48(LC 6), M=-200(LC 10), I=-135(LC 6)
 Max Grav B=300(LC 1), M=1668(LC 3), I=1254(LC 3)

FORCES. (lb) - Max. Comp./Max. Ten. - All forces 250 (lb) or less except when shown.
 TOP CHORD D-F=-1523/194, F-G=-1101/187
 BOT CHORD L-M=-179/1377, J-L=-126/1136, I-J=-87/337
 WEBS C-M=-513/167, D-M=-1746/193, F-L=-48/388, F-J=-782/218, G-J=-150/1234,
 G-I=-1135/137

- NOTES-**
- Wind: ASCE 7-16; Vult=115mph (3-second gust) Vasd=91mph; TCDL=4.2psf; BCDL=5.0psf; h=30ft; Ke=1.00; Cat. II; Exp B; Enclosed; MWFRS (envelope) gable end zone; cantilever left and right exposed ; end vertical left and right exposed; Lumber DOL=1.33 plate grip DOL=1.33
 - TCLL: ASCE 7-16; Pf=25.0 psf (Lum DOL=1.15 Plate DOL=1.15); Is=1.0; Rough Cat B; Partially Exp.; Ce=1.0; Cs=1.00; Ct=1.10
 - Unbalanced snow loads have been considered for this design.
 - This truss has been designed for greater of min roof live load of 20.0 psf or 2.00 times flat roof load of 25.0 psf on overhangs non-concurrent with other live loads.
 - This truss has been designed for a 10.0 psf bottom chord live load nonconcurrent with any other live loads.
 - * This truss has been designed for a live load of 20.0psf on the bottom chord in all areas where a rectangle 3-6-0 tall by 2-0-0 wide will fit between the bottom chord and any other members, with BCDL = 10.0psf.
 - Provide mechanical connection (by others) of truss to bearing plate capable of withstanding 100 lb uplift at joint(s) B except (jt=lb) M=200, I=135.
 - This truss is designed in accordance with the 2018 International Building Code section 2306.1 and referenced standard ANSI/TPI 1.



September 12, 2024

WARNING - Verify design parameters and READ NOTES ON THIS AND INCLUDED MITEK REFERENCE PAGE MII-7473 rev. 6/30/2020 BEFORE USE.
 Design valid for use only with MiTek® connectors. This design is based only upon parameters shown, and is for an individual building component, not a truss system. Before use, the building designer must verify the applicability of design parameters and properly incorporate this design into the overall building design. Bracing indicated is to prevent buckling of individual truss web and/or chord members only. Additional temporary and permanent bracing is always required for stability and to prevent collapse with possible personal injury and property damage. For general guidance regarding the fabrication, storage, delivery, erection and bracing of trusses and truss systems, see **ANSI/TPI1 Quality Criteria, DSB-89 and BCSI Building Component Safety Information** available from Truss Plate Institute, 2670 Crain Highway, Suite 203 Waldorf, MD 20601

240 Stirling Crescent
Bradford, ON. L3Z 4L5

Job N0653A	Truss A3	Truss Type Common	Qty 5	Ply 1	Buildings A-H Job Reference (optional)	U1530820
---------------	-------------	----------------------	----------	----------	---	----------

Alliance Truss (CA), Abbotsford, BC - V2S 7P6,

8.820 s Aug 30 2024 MiTek Industries, Inc. Thu Sep 12 02:47:57 2024 Page 1

ID:hFyjDMxrTsEK_kgkR0vWWVzFlgc-vz5Z0lyb6AhmTLfrZVJ67B8yBDzpGD1DDm9qWvyeVrG

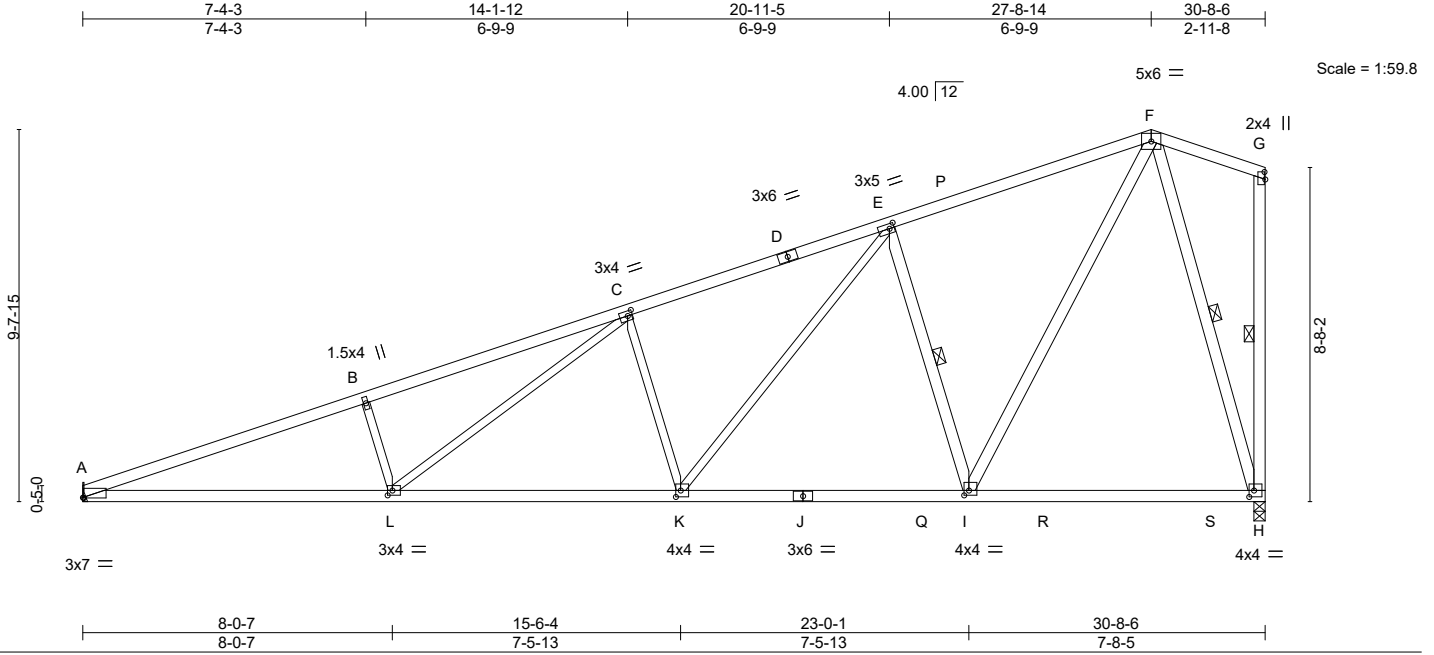


Plate Offsets (X,Y)--	[A:0-0-4,0-0-2], [C:0-1-8,0-1-8], [E:0-1-8,0-1-8], [G:0-2-5,0-0-4], [H:0-1-8,0-2-0], [I:0-1-8,0-1-8], [K:0-1-8,0-2-0], [L:0-1-8,0-1-8]
-----------------------	--

LOADING (psf)	SPACING-	CSI.	DEFL.	PLATES	GRIP
TCLL 25.0 (Roof Snow=25.0)	2-0-0 Plate Grip DOL 1.15 Lumber DOL 1.15 Rep Stress Incr YES Code IBC2018/TPI2014	TC 0.76 BC 0.80 WB 0.65 Matrix-MS	in (loc) l/defl L/d Vert(LL) -0.23 K-L >999 360 Vert(CT) -0.42 K-L >866 240 Horz(CT) 0.08 H n/a n/a Wind(LL) 0.12 K-L >999 240	MT20	197/144
TCDL 12.0				Weight: 131 lb	FT = 20%
BCLL 0.0 *					
BCDL 10.0					

LUMBER-	BRACING-
TOP CHORD 2x4 SPF No.2	TOP CHORD Structural wood sheathing directly applied or 2-2-0 oc purlins, except end verticals.
BOT CHORD 2x4 SPF No.2 *Except*	BOT CHORD Rigid ceiling directly applied or 10-0-0 oc bracing.
A-J: 2x4 SPF 2100F 1.8E	WEBS 1 Row at midpt E-I, G-H, F-H
WEBS 2x4 SPF No.2 *Except*	
B-L, C-L, C-K, E-K: 2x3 SPF No.2	

REACTIONS. (size) A=Mechanical, H=0-3-8
 Max Horz A=267(LC 9)
 Max Uplift A=-160(LC 6), H=-174(LC 6)
 Max Grav A=1510(LC 3), H=1568(LC 3)


FORCES. (lb) - Max. Comp./Max. Ten. - All forces 250 (lb) or less except when shown.
 TOP CHORD A-B=-3666/396, B-C=-3552/421, C-E=-2448/316, E-F=-1332/215
 BOT CHORD A-L=-460/3419, K-L=-303/2468, I-K=-151/1509, H-I=-88/433
 WEBS B-L=-491/167, C-L=-141/1068, C-K=-815/207, E-K=-156/1253, E-I=-1223/264, F-I=-201/1661, F-H=-1472/172

- NOTES-**
- 1) Wind: ASCE 7-16; Vult=115mph (3-second gust) Vasd=91mph; TCDL=4.2psf; BCDL=5.0psf; h=30ft; Ke=1.00; Cat. II; Exp B; Enclosed; MWFRS (envelope) gable end zone; cantilever left and right exposed ; end vertical left and right exposed; Lumber DOL=1.33 plate grip DOL=1.33
 - 2) TCLL: ASCE 7-16; Pf=25.0 psf (Lum DOL = 1.15 Plate DOL = 1.15); Is=1.0; Rough Cat B; Partially Exp.; Ce=1.0; Cs=1.00; Ct=1.10
 - 3) Unbalanced snow loads have been considered for this design.
 - 4) This truss has been designed for a 10.0 psf bottom chord live load nonconcurrent with any other live loads.
 - 5) * This truss has been designed for a live load of 20.0psf on the bottom chord in all areas where a rectangle 3-6-0 tall by 2-0-0 wide will fit between the bottom chord and any other members, with BCDL = 10.0psf.
 - 6) Refer to girder(s) for truss to truss connections.
 - 7) Provide mechanical connection (by others) of truss to bearing plate capable of withstanding 100 lb uplift at joint(s) except (jt=lb) A=160, H=174.
 - 8) This truss is designed in accordance with the 2018 International Building Code section 2306.1 and referenced standard ANSI/TPI 1.



September 12, 2024

WARNING - Verify design parameters and READ NOTES ON THIS AND INCLUDED MITEK REFERENCE PAGE MII-7473 rev. 6/30/2020 BEFORE USE.
 Design valid for use only with MiTek® connectors. This design is based only upon parameters shown, and is for an individual building component, not a truss system. Before use, the building designer must verify the applicability of design parameters and properly incorporate this design into the overall building design. Bracing indicated is to prevent buckling of individual truss web and/or chord members only. Additional temporary and permanent bracing is always required for stability and to prevent collapse with possible personal injury and property damage. For general guidance regarding the fabrication, storage, delivery, erection and bracing of trusses and truss systems, see **ANSI/TPI1 Quality Criteria, DSB-89 and BCSI Building Component Safety Information** available from Truss Plate Institute, 2670 Crain Highway, Suite 203 Waldorf, MD 20601



240 Stirling Crescent
Bradford, ON. L3Z 4L5

Job	Truss	Truss Type	Qty	Ply	Buildings A-H	U1530821
N0653A	A3A	Scissor	30	1		

Alliance Truss (CA), Abbotsford, BC - V2S 7P6, 8.820 s Aug 30 2024 MiTek Industries, Inc. Thu Sep 12 02:47:58 2024 Page 1
 ID:hFyjDMxrTsEK_kgkR0vWWVzFlgc-NAfXE5zDTpc5VE27CqLgPh7fdIP?eJMRQvO2MMyeVrF

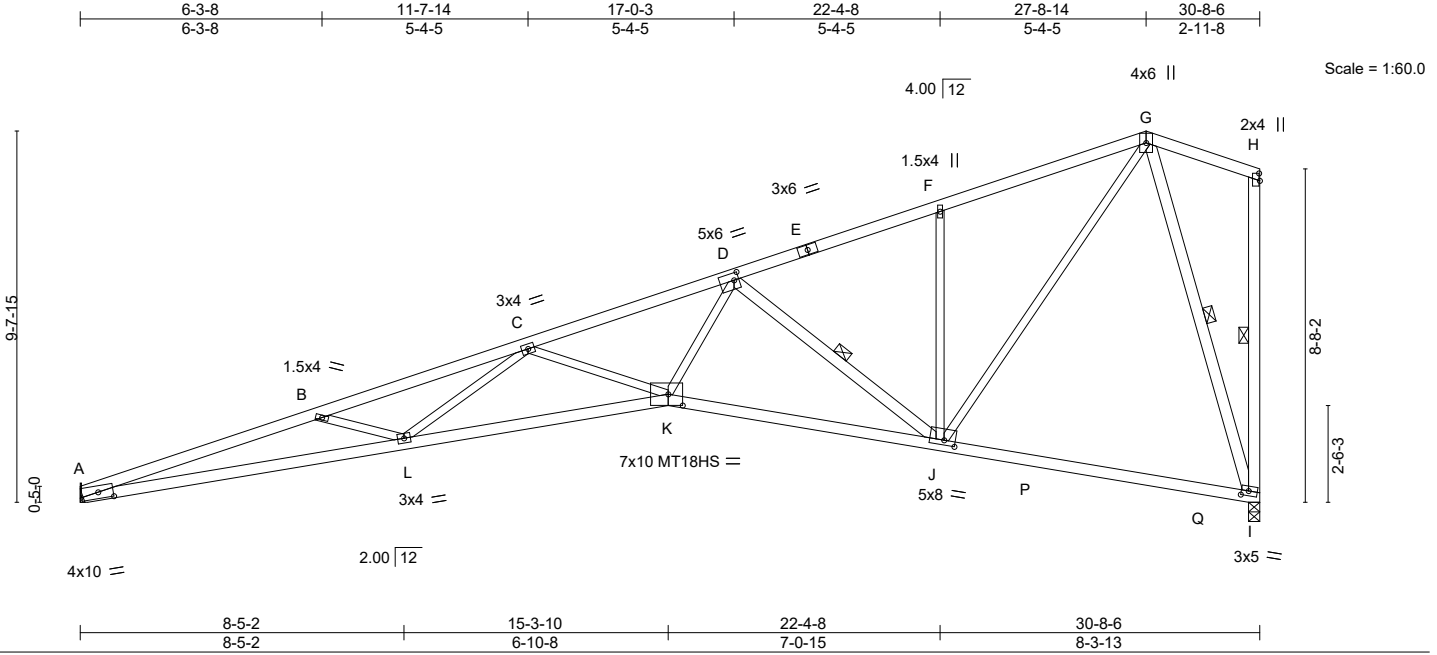


Plate Offsets (X,Y)--	[A:0-4-11,0-2-0], [D:0-1-8,0-2-4], [H:0-2-5,0-0-4], [I:0-2-4,0-1-8], [J:0-3-8,0-1-8], [K:0-4-8,0-3-8]
-----------------------	---

LOADING (psf)	SPACING-	CSI.	DEFL.	PLATES	GRIP
TCLL 25.0 (Roof Snow=25.0)	2-0-0 Plate Grip DOL 1.15	TC 0.71	in (loc) l/defl L/d	MT20	197/144
TCDL 12.0	Lumber DOL 1.15	BC 0.84	Vert(LL) -0.57 K-L >639 360	MT18HS	197/144
BCLL 0.0 *	Rep Stress Incr YES	WB 0.77	Vert(CT) -1.04 K-L >351 240		
BCDL 10.0	Code IBC2018/TPI2014	Matrix-MS	Horz(CT) 0.43 I n/a n/a		
			Wind(LL) 0.31 K-L >999 240	Weight: 124 lb	FT = 20%

LUMBER-	BRACING-
TOP CHORD 2x4 SPF No.2 *Except* A-E: 2x4 SPF 2100F 1.8E	TOP CHORD Structural wood sheathing directly applied or 2-3-6 oc purlins, except end verticals.
BOT CHORD 2x4 SPF 2100F 1.8E	BOT CHORD Rigid ceiling directly applied or 8-3-13 oc bracing.
WEBS 2x3 SPF No.2 *Except* D-J,H-I,G-I: 2x4 SPF No.2	WEBS 1 Row at midpt D-J, H-I, G-I

REACTIONS. (size) A=Mechanical, I=0-3-8
 Max Horz A=268(LC 9)
 Max Uplift A=-160(LC 6), I=-174(LC 6)
 Max Grav A=1496(LC 3), I=1541(LC 3)


FORCES. (lb) - Max. Comp./Max. Ten. - All forces 250 (lb) or less except when shown.
 TOP CHORD A-B=-6536/821, B-C=-6142/686, C-D=-4578/532, D-F=-1696/209, F-G=-1723/270
 BOT CHORD A-L=-887/6230, K-L=-705/5293, J-K=-394/3304, I-J=-98/475
 WEBS B-L=-456/187, C-L=-4/776, C-K=-1007/216, D-K=-229/2254, D-J=-2182/333,
 F-J=-504/147, G-J=-253/2028, G-I=-1485/166

- NOTES-**
- 1) Wind: ASCE 7-16; Vult=115mph (3-second gust) Vasd=91mph; TCDL=4.2psf; BCDL=5.0psf; h=30ft; Ke=1.00; Cat. II; Exp B; Enclosed; MWFRS (envelope) gable end zone; cantilever left and right exposed; end vertical left and right exposed; Lumber DOL=1.33 plate grip DOL=1.33
 - 2) TCLL: ASCE 7-16; Pf=25.0 psf (Lum DOL = 1.15 Plate DOL = 1.15); Is=1.0; Rough Cat B; Partially Exp.; Ce=1.0; Cs=1.00; Ct=1.10
 - 3) Unbalanced snow loads have been considered for this design.
 - 4) All plates are MT20 plates unless otherwise indicated.
 - 5) This truss has been designed for a 10.0 psf bottom chord live load nonconcurrent with any other live loads.
 - 6) * This truss has been designed for a live load of 20.0psf on the bottom chord in all areas where a rectangle 3-6-0 tall by 2-0-0 wide will fit between the bottom chord and any other members, with BCDL = 10.0psf.
 - 7) Refer to girder(s) for truss to truss connections.
 - 8) Bearing at joint(s) I considers parallel to grain value using ANSI/TPI 1 angle to grain formula. Building designer should verify capacity of bearing surface.
 - 9) Provide mechanical connection (by others) of truss to bearing plate capable of withstanding 100 lb uplift at joint(s) except (jt=lb) A=160, I=174.
 - 10) This truss is designed in accordance with the 2018 International Building Code section 2306.1 and referenced standard ANSI/TPI 1.



September 12, 2024

WARNING - Verify design parameters and READ NOTES ON THIS AND INCLUDED MITEK REFERENCE PAGE MII-7473 rev. 6/30/2020 BEFORE USE.
 Design valid for use only with MiTek® connectors. This design is based only upon parameters shown, and is for an individual building component, not a truss system. Before use, the building designer must verify the applicability of design parameters and properly incorporate this design into the overall building design. Bracing indicated is to prevent buckling of individual truss web and/or chord members only. Additional temporary and permanent bracing is always required for stability and to prevent collapse with possible personal injury and property damage. For general guidance regarding the fabrication, storage, delivery, erection and bracing of trusses and truss systems, see ANSI/TPI1 Quality Criteria, DSB-89 and BCSI Building Component Safety Information available from Truss Plate Institute, 2670 Crain Highway, Suite 203 Waldorf, MD 20601



240 Stirling Crescent
 Bradford, ON. L3Z 4L5

Job	Truss	Truss Type	Qty	Ply	Buildings A-H	U1530822
N0653A	A4	Common	30	1		

Alliance Truss (CA), Abbotsford, BC - V2S 7P6, 8.820 s Aug 30 2024 MiTek Industries, Inc. Thu Sep 12 02:47:58 2024 Page 1
 ID:hFyjDMxrTsEK_kgkR0vWWVzFfgc-NAfxE5zDtTpc5VE27CqLgPh5idJ_?gFMRQvO2MMyeVrF

PRMU20240282 BLDG E

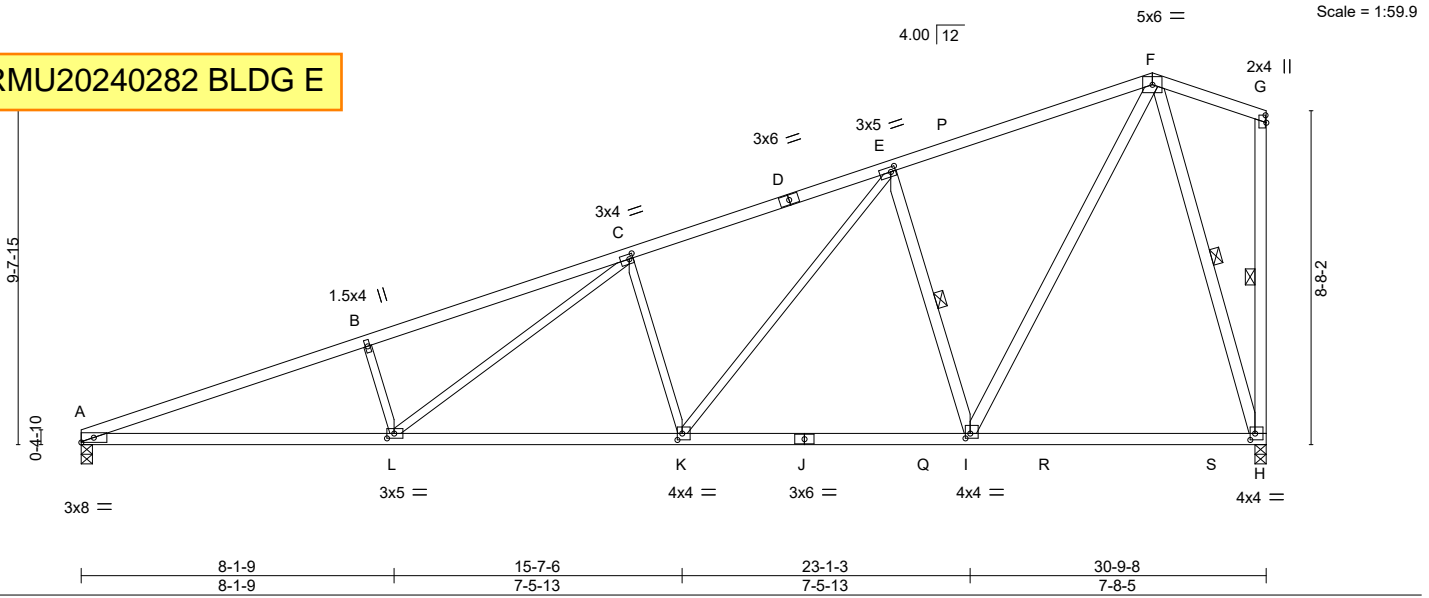


Plate Offsets (X,Y)-- [C:0-1-4,0-1-8], [E:0-1-8,0-1-8], [G:0-2-5,0-0-4], [H:0-1-8,0-2-0], [I:0-1-8,0-1-8], [K:0-1-8,0-2-0], [L:0-2-4,0-1-8]

LOADING (psf)	SPACING-	CSI.	DEFL.	PLATES	GRIP
TCLL 25.0 (Roof Snow=25.0)	2-0-0 Plate Grip DOL 1.15	TC 0.84	in (loc) l/defl L/d	MT20	197/144
TCDL 12.0	Lumber DOL 1.15	BC 0.80	Vert(LL) -0.23 K-L >999 360		
BCLL 0.0 *	Rep Stress Incr YES	WB 0.65	Vert(CT) -0.42 K-L >873 240		
BCDL 10.0	Code IBC2018/TPI2014	Matrix-MS	Horz(CT) 0.08 H n/a n/a		
			Wind(LL) 0.12 L >999 240	Weight: 131 lb	FT = 20%

LUMBER-	BRACING-
TOP CHORD 2x4 SPF No.2	TOP CHORD Structural wood sheathing directly applied or 2-2-0 oc purlins, except end verticals.
BOT CHORD 2x4 SPF No.2 *Except*	BOT CHORD Rigid ceiling directly applied or 10-0-0 oc bracing.
WEBS 2x4 SPF No.2 *Except*	WEBS 1 Row at midpt E-I, G-H, F-H
B-L,C-L,C-K,E-K: 2x3 SPF No.2	

REACTIONS. (size) A=0-3-8, H=0-3-8
 Max Horz A=268(LC 9)
 Max Uplift A=-161(LC 6), H=-175(LC 6)
 Max Grav A=1514(LC 3), H=1572(LC 3)

FORCES. (lb) - Max. Comp./Max. Ten. - All forces 250 (lb) or less except when shown.
 TOP CHORD A-B=-3719/402, B-C=-3606/427, C-E=-2460/317, E-F=-1337/216
 BOT CHORD A-L=-465/3472, K-L=-305/2483, I-K=-152/1515, H-I=-88/434
 WEBS B-L=-503/168, C-L=-146/1113, C-K=-826/208, E-K=-157/1262, E-I=-1229/265,
 F-I=-201/1669, F-H=-1477/172

- NOTES-**
- 1) Wind: ASCE 7-16; Vult=115mph (3-second gust) Vasd=91mph; TCDL=4.2psf; BCDL=5.0psf; h=30ft; Ke=1.00; Cat. II; Exp B; Enclosed; MWFRS (envelope) gable end zone; cantilever left and right exposed ; end vertical left and right exposed; Lumber DOL=1.33 plate grip DOL=1.33
 - 2) TCLL: ASCE 7-16; Pf=25.0 psf (Lum DOL = 1.15 Plate DOL = 1.15); Is=1.0; Rough Cat B; Partially Exp.; Ce=1.0; Cs=1.00; Ct=1.10
 - 3) Unbalanced snow loads have been considered for this design.
 - 4) This truss has been designed for a 10.0 psf bottom chord live load nonconcurrent with any other live loads.
 - 5) * This truss has been designed for a live load of 20.0psf on the bottom chord in all areas where a rectangle 3-6-0 tall by 2-0-0 wide will fit between the bottom chord and any other members, with BCDL = 10.0psf.
 - 6) Provide mechanical connection (by others) of truss to bearing plate capable of withstanding 100 lb uplift at joint(s) except (jt=lb) A=161, H=175.
 - 7) This truss is designed in accordance with the 2018 International Building Code section 2306.1 and referenced standard ANSI/TPI 1.



September 12, 2024

Job	Truss	Truss Type	Qty	Ply	Buildings A-H	U1530823
N0653A	A5	GABLE	5	1		

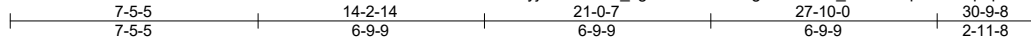
Job Reference (optional)

Alliance Truss (CA),

Abbotsford, BC - V2S 7P6,

8.820 s Aug 30 2024 MiTek Industries, Inc. Thu Sep 12 02:48:00 2024 Page 1

ID:hFyjDMxrTsEK_kgkR0vWWvzFlgc-JYnhem_UP53KKpOQFdsplqmS0Q1WTXWfkkOU7EyeVrD



Scale = 1:69.2

PRMU20240282 BLDG E

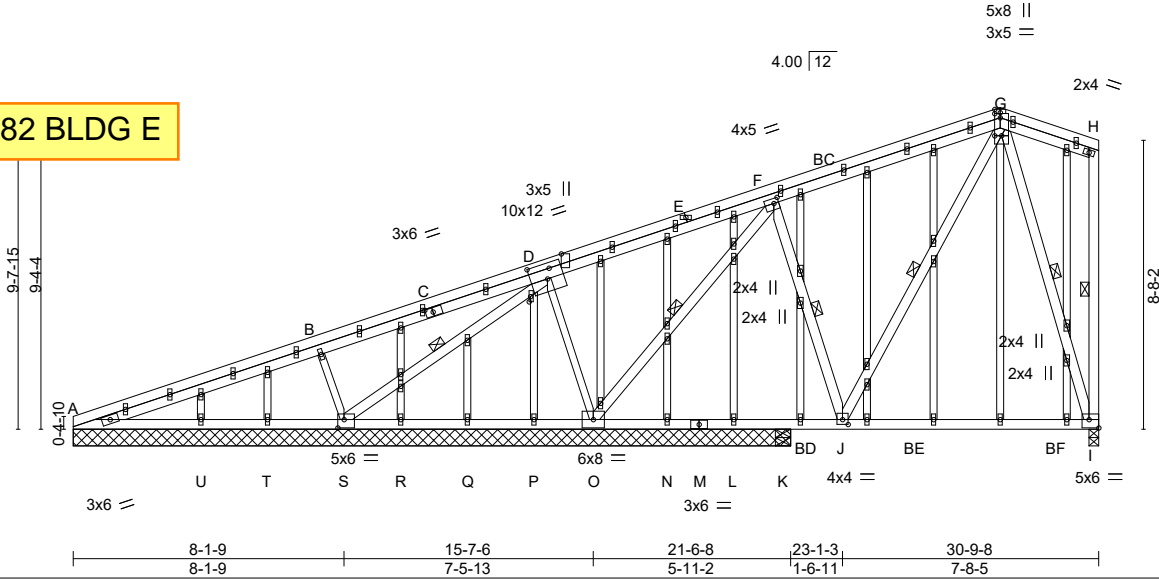


Plate Offsets (X,Y)-- [C:0-2-11,0-1-8], [D:0-6-0,0-5-8], [D:0-1-14,0-0-8], [D:0-5-3,Edge], [F:0-1-12,0-1-12], [G:0-1-8,0-2-0], [G:0-2-8,0-0-1], [G:0-2-0,Edge], [I:Edge,0-3-0], [J:0-2-0,0-1-12], [S:0-2-4,0-3-0]

LOADING (psf)	SPACING-	CSI.	DEFL.	PLATES	GRIP
TCLL 25.0	2-0-0	TC 0.79	in (loc) l/defl L/d	MT20	197/144
(Roof Snow=25.0)	Plate Grip DOL 1.15	BC 0.61	Vert(LL) -0.17 I-J >679 360		
TCDL 12.0	Lumber DOL 1.15	WB 0.86	Vert(CT) -0.26 I-J >427 240		
BCLL 0.0 *	Rep Stress Incr YES	Matrix-MS	Horz(CT) -0.02 N n/a n/a		
BCDL 10.0	Code IBC2018/TPI2014		Wind(LL) 0.03 I-J >999 240	Weight: 223 lb	FT = 20%

LUMBER-	BRACING-
TOP CHORD 2x4 SPF No.2	TOP CHORD Structural wood sheathing directly applied or 2-2-0 oc purlins, except end verticals.
BOT CHORD 2x4 SPF No.2	BOT CHORD Rigid ceiling directly applied or 3-10-7 oc bracing.
WEBS 2x4 SPF No.2 *Except*	WEBS 1 Row at midpt D-S, F-O, F-J, G-J, H-I, G-I
B-S,D-O: 2x3 SPF No.2	
OTHERS 2x3 SPF No.2	

REACTIONS. All bearings 21-6-8 except (it=length) I=0-3-8, K=0-5-8.
 (lb) - Max Horz A=298(LC 38)
 Max Uplift All uplift 100 lb or less at joint(s) T, U except S=-1694(LC 31), O=-1065(LC 31), I=-1279(LC 32), A=-840(LC 31), K=-116(LC 18)
 Max Grav All reactions 250 lb or less at joint(s) L, N, P, Q, R, T, U, K except S=1772(LC 52), O=1663(LC 28), I=1646(LC 25), A=920(LC 52), A=276(LC 1)

FORCES. (lb) - Max. Comp./Max. Ten. - All forces 250 (lb) or less except when shown.
 TOP CHORD A-B=-2591/2424, B-D=-957/932, D-F=-1614/1540, F-G=-1708/1570, G-H=-750/788
 BOT CHORD A-U=-2089/1978, T-U=-1312/1201, S-T=-547/515, R-S=-1794/1683, Q-R=-1210/1101, P-Q=-524/415, O-P=-996/887, N-O=-746/884, L-N=-873/979, K-L=-1381/1447, J-K=-1381/1447, I-J=-450/468
 WEBS B-S=-571/218, D-S=-2554/2513, D-O=-933/949, F-O=-2375/2163, F-J=-1136/1263, G-J=-1255/1387, G-I=-1543/1354

- NOTES-**
- 1) Wind: ASCE 7-16; Vult=115mph (3-second gust) Vasd=91mph; TCCL=4.2psf; BCDL=5.0psf; h=30ft; Ke=1.00; Cat. II; Exp B; Enclosed; MWFRS (envelope) gable end zone; cantilever left and right exposed; end vertical left and right exposed; Lumber DOL=1.33 plate grip DOL=1.33
 - 2) Truss designed for wind loads in the plane of the truss only. For studs exposed to wind (normal to the face), see Standard Industry Gable End Details as applicable, or consult qualified building designer as per ANSI/TPI 1.
 - 3) TCLL: ASCE 7-16; Pf=25.0 psf (Lum DOL = 1.15 Plate DOL = 1.15); Is=1.0; Rough Cat B; Partially Exp.; Ce=1.0; Cs=1.00; Ct=1.10
 - 4) Unbalanced snow loads have been considered for this design.
 - 5) All plates are 1.5x4 MT20 unless otherwise indicated.
 - 6) Gable studs spaced at 2-0-0 oc.
 - 7) This truss has been designed for a 10.0 psf bottom chord live load nonconcurrent with any other live loads.
 - 8) * This truss has been designed for a live load of 20.0psf on the bottom chord in all areas where a rectangle 3-6-0 tall by 2-0-0 wide will fit between the bottom chord and any other members, with BCDL = 10.0psf.
 - 9) Provide mechanical connection (by others) of truss to bearing plate capable of withstanding 100 lb uplift at joint(s) T, U except (it=lb) S=1694, O=1065, I=1279, A=840, K=116, A=840.
 - 10) This truss is designed in accordance with the 2018 International Building Code section 2306.1 and referenced standard ANSI/TPI 1.
 - 11) This truss has been designed for a total drag load of 240 plf. Lumber DOL=(1.33) Plate grip DOL=(1.33) Connect truss to resist



September 12, 2024

WARNING - Verify design parameters and READ NOTES ON THIS AND INCLUDED MITEK REFERENCE PAGE MII-7473 rev. 6/30/2020 BEFORE USE.
 Design valid for use only with MiTek® connectors. This design is based only upon parameters shown, and is for an individual building component, not a truss system. Before use, the building designer must verify the applicability of design parameters and properly incorporate this design into the overall building design. Bracing indicated is to prevent buckling of individual truss web and/or chord members only. Additional temporary and permanent bracing is always required for stability and to prevent collapse with possible personal injury and property damage. For general guidance regarding the fabrication, storage, delivery, erection and bracing of trusses and truss systems, see ANSI/TPI1 Quality Criteria, DSB-89 and BCSI Building Component Safety Information available from Truss Plate Institute, 2670 Crain Highway, Suite 203 Waldorf, MD 20601

Job	Truss	Truss Type	Qty	Ply	Buildings A-H
N0653A	A5	GABLE	5	1	U1530823

Alliance Truss (CA), Abbotsford, BC - V2S 7P6,

8.820 s Aug 30 2024 MiTek Industries, Inc. Thu Sep 12 02:48:00 2024 Page 2
 ID:hFyjDMxrTsEK_kgkR0vWWVzFlgc-JYnhem_UP53KKpOQFdspIqmS0Q1WTXWfVkuOU7EyeVrD

NOTES-

12) No notches allowed in overhang and 0 from left end and 0 from right end or 12" along rake from scarf, whichever is larger. Minimum 1.5x4 tie plates required at 2-0-0 o.c. maximum between the stacking chords. For edge-wise notching, provide at least one tie plate between each notch.

PRMU20240282 BLDG E

WARNING - Verify design parameters and READ NOTES ON THIS AND INCLUDED MITEK REFERENCE PAGE MII-7473 rev. 6/30/2020 BEFORE USE.

Design valid for use only with MiTek® connectors. This design is based only upon parameters shown, and is for an individual building component, not a truss system. Before use, the building designer must verify the applicability of design parameters and properly incorporate this design into the overall building design. Bracing indicated is to prevent buckling of individual truss web and/or chord members only. Additional temporary and permanent bracing is always required for stability and to prevent collapse with possible personal injury and property damage. For general guidance regarding the fabrication, storage, delivery, erection and bracing of trusses and truss systems, see

Safety Information available from Truss Plate Institute, 2670 Crain Highway, Suite 203 Waldorf, MD 20601



240 Stirling Crescent
 Bradford, ON. L3Z 4L5

Job N0653A	Truss A6	Truss Type Common	Qty 2	Ply 1	Buildings A-H Job Reference (optional)	U1530824
---------------	-------------	----------------------	----------	----------	---	----------

Alliance Truss (CA), Abbotsford, BC - V2S 7P6,

8.820 s Aug 30 2024 MiTek Industries, Inc. Thu Sep 12 02:48:01 2024 Page 1

ID:hFyjDMxrTsEK_kgkR0vWWVzFlgc-nlL3s6?6A0BBByzdoLN2l1JdLqOfCy0p7O72fgyeVrC

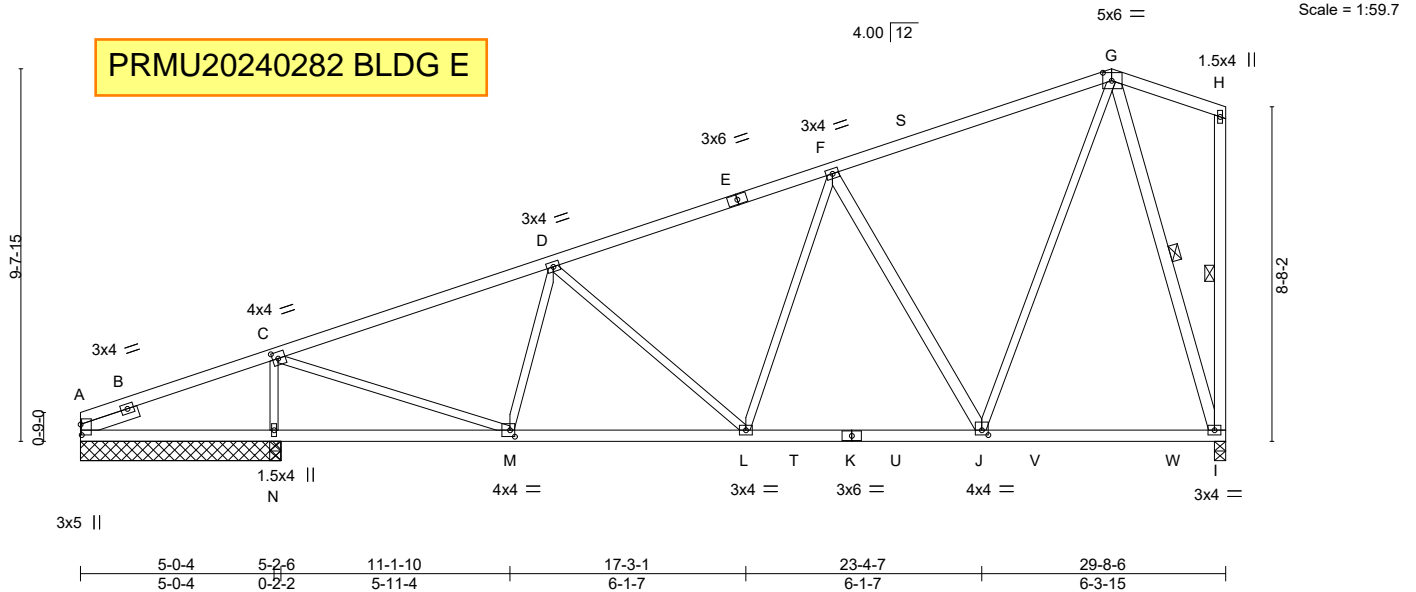


Plate Offsets (X,Y)-- [A:0-3-5,0-0-6], [C:0-1-12,0-2-0], [G:0-2-12,0-2-8], [J:0-2-0,0-1-8], [M:0-1-8,0-2-0]

LOADING (psf)	SPACING-	CSI.	DEFL.	in (loc)	l/defl	L/d	PLATES	GRIP
TCLL 25.0 (Roof Snow=25.0)	2-0-0 Plate Grip DOL 1.15	TC 0.81	Vert(LL)	-0.08	I-J	>999	MT20	197/144
TCDL 12.0	Lumber DOL 1.15	BC 0.55	Vert(CT)	-0.14	L-M	>999		
BCLL 0.0 *	Rep Stress Incr YES	WB 0.97	Horz(CT)	0.03	I	n/a		
BCDL 10.0	Code IBC2018/TPI2014	Matrix-MS	Wind(LL)	0.04	L-M	>999	Weight: 130 lb	FT = 20%

LUMBER-

TOP CHORD 2x4 SPF No.2
 BOT CHORD 2x4 SPF No.2
 WEBS 2x3 SPF No.2 *Except*
 F-J,H-I,G-I: 2x4 SPF No.2
 SLIDER Left 2x4 SPF No.2 1-7-0

BRACING-

TOP CHORD Structural wood sheathing directly applied or 4-2-4 oc purlins, except end verticals.
 BOT CHORD Rigid ceiling directly applied or 10-0-0 oc bracing.
 WEBS 1 Row at midpt H-I, G-I

REACTIONS.

All bearings 5-2-6 except (jt=length) I=0-3-8.
 (lb) - Max Horz A=253(LC 10)
 Max Uplift All uplift 100 lb or less at joint(s) except N=186(LC 6), I=156(LC 6)
 Max Grav All reactions 250 lb or less at joint(s) A, A except N=1548(LC 3), N=1463(LC 1), I=1241(LC 3)

FORCES.

(lb) - Max. Comp./Max. Ten. - All forces 250 (lb) or less except when shown.
 TOP CHORD C-D=-1470/90, D-F=-1363/113, F-G=-834/90
 BOT CHORD L-M=-264/1390, J-L=-186/1109, I-J=-52/342
 WEBS C-N=-1344/232, C-M=-94/1385, D-M=-327/100, D-L=-271/101, F-L=-10/409, F-J=-859/198,
 G-J=-1111/1073, G-I=-1171/186

NOTES-

- 1) Wind: ASCE 7-16; Vult=115mph (3-second gust) Vasd=91mph; TCDL=4.2psf; BCDL=5.0psf; h=30ft; Ke=1.00; Cat. II; Exp B; Enclosed; MWFRS (envelope) gable end zone; cantilever left exposed ; end vertical left exposed; Lumber DOL=1.33 plate grip DOL=1.33
- 2) TCLL: ASCE 7-16; Pf=25.0 psf (Lum DOL = 1.15 Plate DOL = 1.15); Is=1.0; Rough Cat B; Partially Exp.; Ce=1.0; Cs=1.00; Ct=1.10
- 3) Unbalanced snow loads have been considered for this design.
- 4) This truss has been designed for a 10.0 psf bottom chord live load nonconcurrent with any other live loads.
- 5) * This truss has been designed for a live load of 20.0psf on the bottom chord in all areas where a rectangle 3-6-0 tall by 2-0-0 wide will fit between the bottom chord and any other members, with BCDL = 10.0psf.
- 6) Provide mechanical connection (by others) of truss to bearing plate capable of withstanding 186 lb uplift at joint N and 156 lb uplift at joint I.
- 7) This truss is designed in accordance with the 2018 International Building Code section 2306.1 and referenced standard ANSI/TPI 1.



September 12, 2024

WARNING - Verify design parameters and READ NOTES ON THIS AND INCLUDED MITEK REFERENCE PAGE MII-7473 rev. 6/30/2020 BEFORE USE.

Design valid for use only with MiTek® connectors. This design is based only upon parameters shown, and is for an individual building component, not a truss system. Before use, the building designer must verify the applicability of design parameters and properly incorporate this design into the overall building design. Bracing indicated is to prevent buckling of individual truss web and/or chord members only. Additional temporary and permanent bracing is always required for stability and to prevent collapse with possible personal injury and property damage. For general guidance regarding the fabrication, storage, delivery, erection and bracing of trusses and truss systems, see

Safety Information available from Truss Plate Institute, 2670 Crain Highway, Suite 203 Waldorf, MD 20601



240 Stirling Crescent
Bradford, ON. L3Z 4L5

Job	Truss	Truss Type	Qty	Ply	Buildings A-H	U1530825
N0653A	A7	Scissor	14	1		

Alliance Truss (CA), Abbotsford, BC - V2S 7P6, 8.820 s Aug 30 2024 MiTek Industries, Inc. Thu Sep 12 02:48:01 2024 Page 1
 ID:hFyjDMxrTsEK_kgkR0vWWWVzFlgc-nL3s6?6A0BByzdoLN211JfSgMGC1pp7072fgyeVrC

PRMU20240282 BLDG E

Scale = 1:59.8

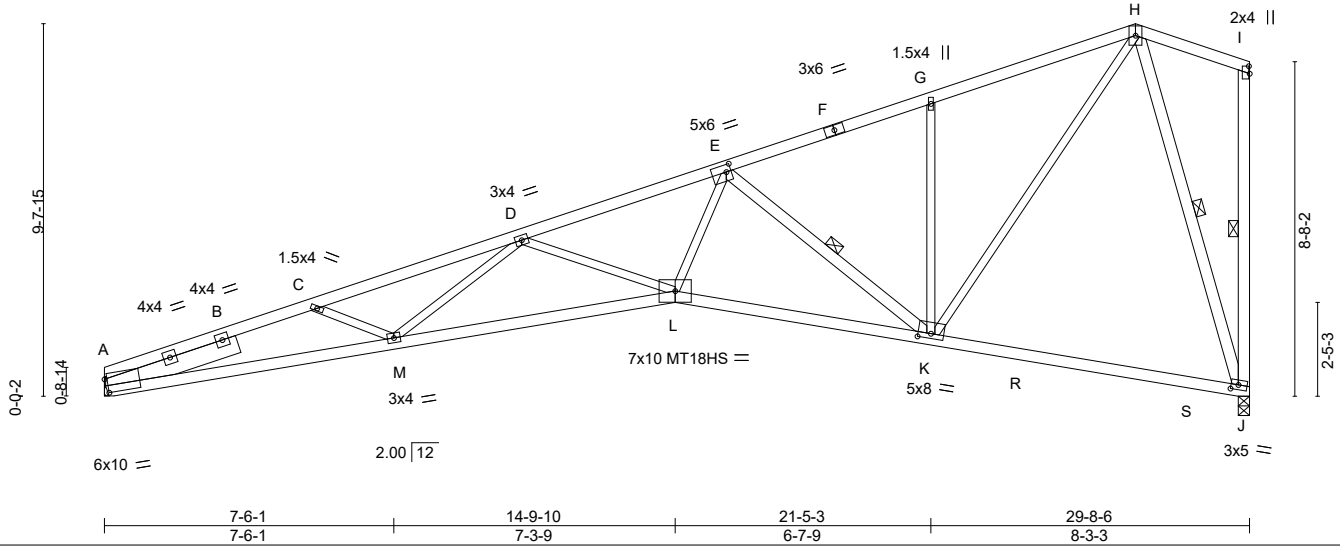


Plate Offsets (X,Y)-- [A:0-0-12,0-4-6], [E:0-1-8,0-2-4], [I:0-2-5,0-0-4], [J:0-2-4,0-1-8], [K:0-4-0,0-1-8]

LOADING (psf)	SPACING-	CSI.	DEFL.	PLATES	GRIP
TCLL 25.0 (Roof Snow=25.0)	2-0-0 Plate Grip DOL 1.15	TC 0.68	in (loc) l/defl L/d	MT20	197/144
TCDL 12.0	Lumber DOL 1.15	BC 0.70	Vert(LL) -0.41 L-M >869 360	MT18HS	197/144
BCLL 0.0 *	Rep Stress Incr YES	WB 0.66	Vert(CT) -0.75 L-M >470 240		
BCDL 10.0	Code IBC2018/TPI2014	Matrix-MS	Horz(CT) 0.31 J n/a n/a		
			Wind(LL) 0.21 L-M >999 240	Weight: 128 lb	FT = 20%

LUMBER-	BRACING-
TOP CHORD 2x4 SPF No.2 *Except* A-F: 2x4 SPF 2100F 1.8E	TOP CHORD Structural wood sheathing directly applied or 2-6-7 oc purlins, except end verticals.
BOT CHORD 2x4 SPF 2100F 1.8E	BOT CHORD Rigid ceiling directly applied or 9-7-6 oc bracing.
WEBS 2x3 SPF No.2 *Except* E-K,I-J,H-J: 2x4 SPF No.2	WEBS 1 Row at midpt E-K, I-J, H-J
SLIDER Left 2x6 SPF No.2 3-7-10	

REACTIONS. (size) A=Mechanical, J=0-3-8
 Max Horz A=264(LC 9)
 Max Uplift A=-154(LC 6), J=-169(LC 6)
 Max Grav A=1448(LC 3), J=1491(LC 3)

FORCES. (lb) - Max. Comp./Max. Ten. - All forces 250 (lb) or less except when shown.
 TOP CHORD A-C=-4837/607, C-D=-4865/548, D-E=-3946/460, E-G=-1611/201, G-H=-1637/262
 BOT CHORD A-M=-663/4569, L-M=-610/4472, K-L=-362/3067, J-K=-98/459
 WEBS D-M=0/324, D-L=-789/191, E-L=-183/1864, E-K=-2001/306, G-K=-501/146, H-K=-243/1928, H-J=-1429/161

- NOTES-**
- 1) Wind: ASCE 7-16; Vult=115mph (3-second gust) Vasd=91mph; TCDL=4.2psf; BCCL=5.0psf; h=30ft; Ke=1.00; Cat. II; Exp B; Enclosed; MWFRS (envelope) gable end zone; cantilever left and right exposed; end vertical left and right exposed; Lumber DOL=1.33 plate grip DOL=1.33
 - 2) TCLL: ASCE 7-16; Pf=25.0 psf (Lum DOL = 1.15 Plate DOL = 1.15); Is=1.0; Rough Cat B; Partially Exp.; Ce=1.0; Cs=1.00; Ct=1.10
 - 3) Unbalanced snow loads have been considered for this design.
 - 4) All plates are MT20 plates unless otherwise indicated.
 - 5) This truss has been designed for a 10.0 psf bottom chord live load nonconcurrent with any other live loads.
 - 6) * This truss has been designed for a live load of 20.0psf on the bottom chord in all areas where a rectangle 3-6-0 tall by 2-0-0 wide will fit between the bottom chord and any other members, with BCCL = 10.0psf.
 - 7) Refer to girder(s) for truss to truss connections.
 - 8) Bearing at joint(s) J considers parallel to grain value using ANSI/TPI 1 angle to grain formula. Building designer should verify capacity of bearing surface.
 - 9) Provide mechanical connection (by others) of truss to bearing plate capable of withstanding 154 lb uplift at joint A and 169 lb uplift at joint J.
 - 10) This truss is designed in accordance with the 2018 International Building Code section 2306.1 and referenced standard ANSI/TPI 1.



September 12, 2024

WARNING - Verify design parameters and READ NOTES ON THIS AND INCLUDED MITEK REFERENCE PAGE MII-7473 rev. 6/30/2020 BEFORE USE.
 Design valid for use only with MiTek® connectors. This design is based only upon parameters shown, and is for an individual building component, not a truss system. Before use, the building designer must verify the applicability of design parameters and properly incorporate this design into the overall building design. Bracing indicated is to prevent buckling of individual truss web and/or chord members only. Additional temporary and permanent bracing is always required for stability and to prevent collapse with possible personal injury and property damage. For general guidance regarding the fabrication, storage, delivery, erection and bracing of trusses and truss systems, see ANSI/TPI1 Quality Criteria, DSB-89 and BCSI Building Component Safety Information available from Truss Plate Institute, 2670 Crain Highway, Suite 203 Waldorf, MD 20601



Job	Truss	Truss Type	Qty	Ply	Buildings A-H	U1530826
N0653A	A8	Common	2	1		

Alliance Truss (CA), Abbotsford, BC - V2S 7P6,

8.820 s Aug 30 2024 MiTek Industries, Inc. Thu Sep 12 02:48:02 2024 Page 1

ID:hFyjDMxrTsEK_kgkR0vWWVzFfgc-GxvS3S0kxiJ2Z6XpM2vHqFrpmEhaxVWym2tB7yeVrB



Scale = 1:59.4

PRMU20240282 BLDG E

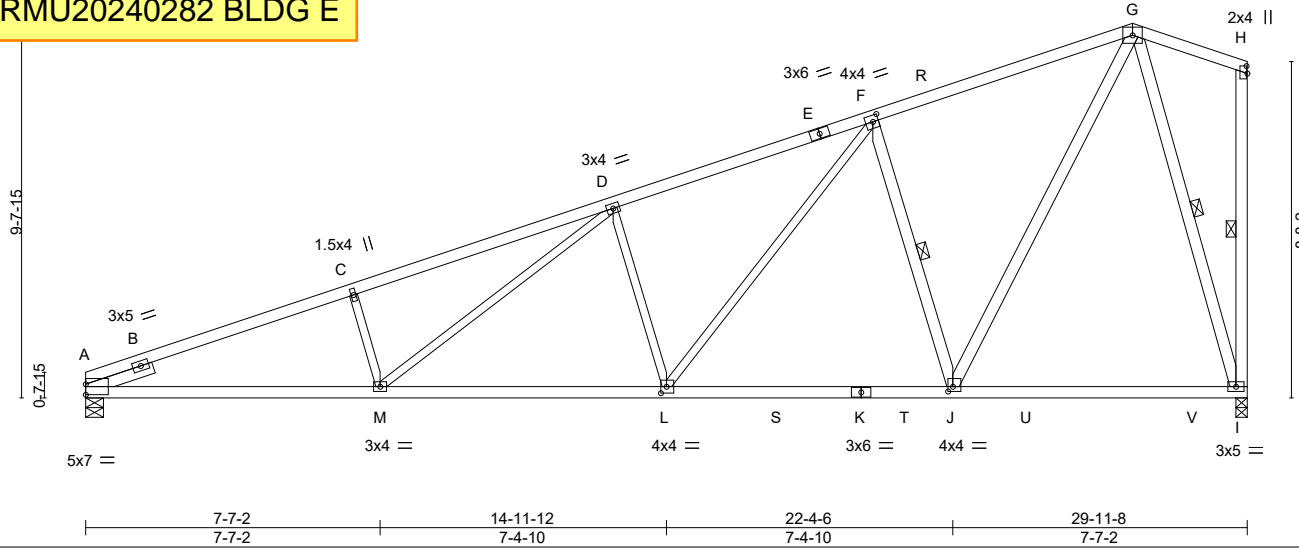


Plate Offsets (X,Y)-- [A:0-0-0,0-3-4], [F:0-1-12,0-2-0], [H:0-2-5,0-0-4], [J:0-1-8,0-1-8], [L:0-1-12,0-2-0]

LOADING (psf)	SPACING-	2-0-0	CSI.	DEFL.	in (loc)	l/defl	L/d	PLATES	GRIP
TCLL 25.0 (Roof Snow=25.0)	Plate Grip DOL 1.15		TC 0.71	Vert(LL) -0.21	L-M	>999	360	MT20	197/144
TCDL 12.0	Lumber DOL 1.15		BC 0.76	Vert(CT) -0.39	L-M	>914	240		
BCLL 0.0 *	Rep Stress Incr YES		WB 0.63	Horz(CT) 0.07	I	n/a	n/a		
BCDL 10.0	Code IBC2018/TPI2014		Matrix-MS	Wind(LL) 0.10	L-M	>999	240	Weight: 131 lb	FT = 20%

LUMBER-

TOP CHORD 2x4 SPF No.2 *Except*
A-E: 2x4 SPF 2100F 1.8E
BOT CHORD 2x4 SPF No.2 *Except*
A-K: 2x4 SPF 2100F 1.8E
WEBS 2x4 SPF No.2 *Except*
C-M,D-M,D-L,F-L: 2x3 SPF No.2
SLIDER Left 2x4 SPF No.2 1-9-12

BRACING-

TOP CHORD Structural wood sheathing directly applied or 3-4-2 oc purlins, except end verticals.
BOT CHORD Rigid ceiling directly applied or 10-0-0 oc bracing.
WEBS 1 Row at midpt F-J, H-I, G-I

REACTIONS.

(size) A=0-5-8, I=0-3-8
Max Horz A=264(LC 9)
Max Uplift A=-155(LC 6), I=-170(LC 6)
Max Grav A=1476(LC 3), I=1532(LC 3)

FORCES. (lb) - Max. Comp./Max. Ten. - All forces 250 (lb) or less except when shown.

TOP CHORD A-C=-3225/352, C-D=-3137/378, D-F=-2323/303, F-G=-1277/209
BOT CHORD A-M=-412/2999, L-M=-286/2327, J-L=-143/1444, I-J=-88/422
WEBS C-M=-377/150, D-M=-111/766, D-L=-749/200, F-L=-149/1181, F-J=-1177/257, G-J=-193/1599, G-I=-1437/167

NOTES-

- 1) Wind: ASCE 7-16; Vult=115mph (3-second gust) Vasd=91mph; TCDL=4.2psf; BCDL=5.0psf; h=30ft; Ke=1.00; Cat. II; Exp B; Enclosed; MWFRS (envelope) gable end zone; cantilever left and right exposed ; end vertical left and right exposed; Lumber DOL=1.33 plate grip DOL=1.33
- 2) TCLL: ASCE 7-16; Pf=25.0 psf (Lum DOL = 1.15 Plate DOL = 1.15); Is=1.0; Rough Cat B; Partially Exp.; Ce=1.0; Cs=1.00; Ct=1.10
- 3) Unbalanced snow loads have been considered for this design.
- 4) This truss has been designed for a 10.0 psf bottom chord live load nonconcurrent with any other live loads.
- 5) * This truss has been designed for a live load of 20.0psf on the bottom chord in all areas where a rectangle 3-6-0 tall by 2-0-0 wide will fit between the bottom chord and any other members, with BCDL = 10.0psf.
- 6) Provide mechanical connection (by others) of truss to bearing plate capable of withstanding 155 lb uplift at joint A and 170 lb uplift at joint I.
- 7) This truss is designed in accordance with the 2018 International Building Code section 2306.1 and referenced standard ANSI/TPI 1.



September 12, 2024

WARNING - Verify design parameters and READ NOTES ON THIS AND INCLUDED MITEK REFERENCE PAGE MII-7473 rev. 6/30/2020 BEFORE USE.

Design valid for use only with MiTek® connectors. This design is based only upon parameters shown, and is for an individual building component, not a truss system. Before use, the building designer must verify the applicability of design parameters and properly incorporate this design into the overall building design. Bracing indicated is to prevent buckling of individual truss web and/or chord members only. Additional temporary and permanent bracing is always required for stability and to prevent collapse with possible personal injury and property damage. For general guidance regarding the fabrication, storage, delivery, erection and bracing of trusses and truss systems, see

ANSI/TPI1 Quality Criteria, DSB-89 and BCSI Building Component Safety Information available from Truss Plate Institute, 2670 Crain Highway, Suite 203 Waldorf, MD 20601



240 Stirling Crescent
Bradford, ON. L3Z 4L5

Job N0653A	Truss A9	Truss Type Common	Qty 6	Ply 1	Buildings A-H Job Reference (optional)	U1530827
---------------	-------------	----------------------	----------	----------	---	----------

Alliance Truss (CA), Abbotsford, BC - V2S 7P6,

8.820 s Aug 30 2024 MiTek Industries, Inc. Thu Sep 12 02:48:03 2024 Page 1

ID:hFyjDMxrTsEK_kgkR0vWWVzFlgc-k7TqHo1Mi0SvBG6?wmQWNSO_Xe1qgyn6bic9jZyeVrA



PRMU20240282 BLDG E

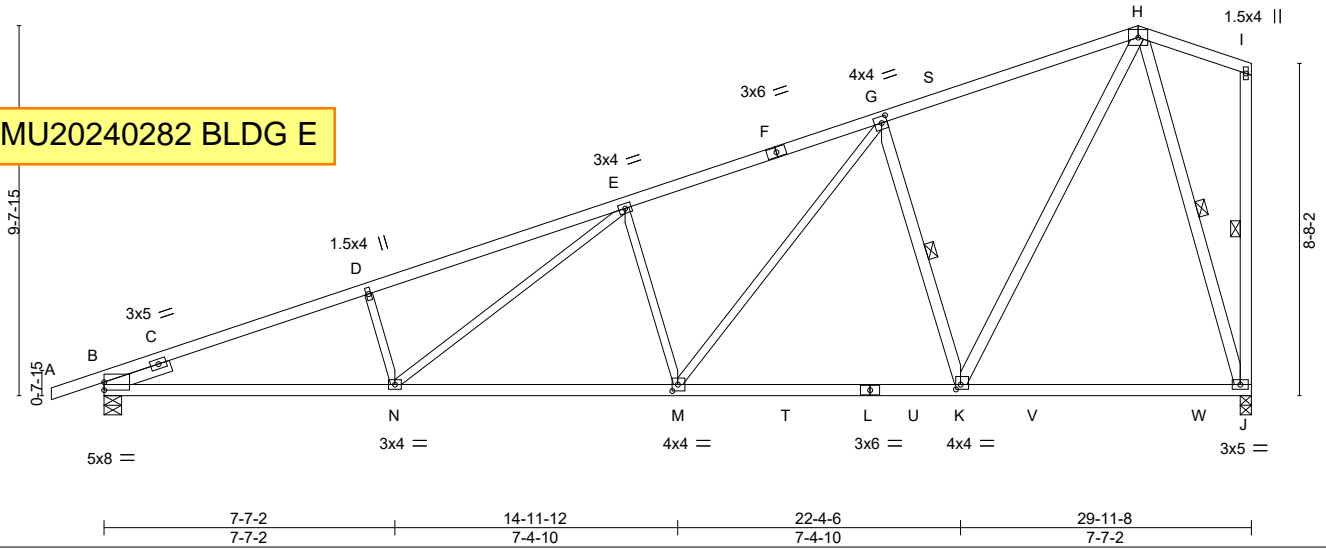


Plate Offsets (X,Y)-- [G:0-1-12,0-2-0], [K:0-1-8,0-1-8], [M:0-1-12,0-2-0]

LOADING (psf)	SPACING-	CSI.	DEFL.	PLATES	GRIP
TCLL 25.0 (Roof Snow=25.0)	2-0-0 Plate Grip DOL 1.15	TC 0.71	in (loc) l/defl L/d	MT20	197/144
TCDL 12.0	Lumber DOL 1.15	BC 0.76	Vert(LL) -0.21 M-N >999 360		
BCLL 0.0 *	Rep Stress Incr YES	WB 0.63	Vert(CT) -0.40 M-N >900 240		
BCDL 10.0	Code IBC2018/TPI2014	Matrix-MS	Horz(CT) 0.07 J n/a n/a		
			Wind(LL) 0.10 M-N >999 240	Weight: 133 lb	FT = 20%

LUMBER-

TOP CHORD 2x4 SPF No.2 *Except*
A-F: 2x4 SPF 2100F 1.8E
BOT CHORD 2x4 SPF No.2 *Except*
B-L: 2x4 SPF 2100F 1.8E
WEBS 2x4 SPF No.2 *Except*
D-N,E-N,E-M,G-M: 2x3 SPF No.2
SLIDER Left 2x4 SPF No.2 1-9-12

BRACING-

TOP CHORD Structural wood sheathing directly applied or 3-4-2 oc purlins, except end verticals.
BOT CHORD Rigid ceiling directly applied or 10-0-0 oc bracing.
WEBS 1 Row at midpt G-K, I-J, H-J

REACTIONS.

(size) B=0-5-8, J=0-3-8
Max Horz B=271(LC 6)
Max Uplift B=-181(LC 6), J=-188(LC 6)
Max Grav B=1563(LC 3), J=1531(LC 3)

FORCES. (lb) - Max. Comp./Max. Ten. - All forces 250 (lb) or less except when shown.

TOP CHORD B-D=-3205/292, D-E=-3116/318, E-G=-2318/245, G-H=-1275/149
BOT CHORD B-N=-486/2978, M-N=-361/2321, K-M=-216/1442, J-K=-63/422
WEBS D-N=-369/150, E-N=-111/749, E-M=-744/200, G-M=-151/1177, G-K=-1174/258, H-K=-186/1596, H-J=-1434/223

NOTES-

- 1) Wind: ASCE 7-16; Vult=115mph (3-second gust) Vasd=91mph; TCDL=4.2psf; BCDL=5.0psf; h=30ft; Ke=1.00; Cat. II; Exp B; Enclosed; MWFRS (envelope) gable end zone; cantilever left exposed ; end vertical left exposed; Lumber DOL=1.33 plate grip DOL=1.33
- 2) TCLL: ASCE 7-16; Pf=25.0 psf (Lum DOL = 1.15 Plate DOL = 1.15); Is=1.0; Rough Cat B; Partially Exp.; Ce=1.0; Cs=1.00; Ct=1.10
- 3) Unbalanced snow loads have been considered for this design.
- 4) This truss has been designed for greater of min roof live load of 20.0 psf or 2.00 times flat roof load of 25.0 psf on overhangs non-concurrent with other live loads.
- 5) This truss has been designed for a 10.0 psf bottom chord live load nonconcurrent with any other live loads.
- 6) * This truss has been designed for a live load of 20.0psf on the bottom chord in all areas where a rectangle 3-6-0 tall by 2-0-0 wide will fit between the bottom chord and any other members, with BCDL = 10.0psf.
- 7) Provide mechanical connection (by others) of truss to bearing plate capable of withstanding 181 lb uplift at joint B and 188 lb uplift at joint J.
- 8) This truss is designed in accordance with the 2018 International Building Code section 2306.1 and referenced standard ANSI/TPI 1.



September 12, 2024

WARNING - Verify design parameters and READ NOTES ON THIS AND INCLUDED MITEK REFERENCE PAGE MII-7473 rev. 6/30/2020 BEFORE USE.

Design valid for use only with MiTek® connectors. This design is based only upon parameters shown, and is for an individual building component, not a truss system. Before use, the building designer must verify the applicability of design parameters and properly incorporate this design into the overall building design. Bracing indicated is to prevent buckling of individual truss web and/or chord members only. Additional temporary and permanent bracing is always required for stability and to prevent collapse with possible personal injury and property damage. For general guidance regarding the fabrication, storage, delivery, erection and bracing of trusses and truss systems, see **ANSI/TPI1 Quality Criteria, DSB-89 and BCSI Building Component Safety Information** available from Truss Plate Institute, 2670 Crain Highway, Suite 203 Waldorf, MD 20601



Job	Truss	Truss Type	Qty	Ply	Buildings A-H	U1530828
N0653A	A10	GABLE	2	1		

Alliance Truss (CA), Abbotsford, BC - V2S 7P6,

8.820 s Aug 30 2024 MiTek Industries, Inc. Thu Sep 12 02:47:47 2024 Page 1
 ID:hFyjDMxrTsEK_kgkR0vWWWvzF1gc-C2VnwKqKT5RAGpuw_P7mj4jBPBc3wjtlvDki9UyeVrQ



PRMU20240282 BLDG E

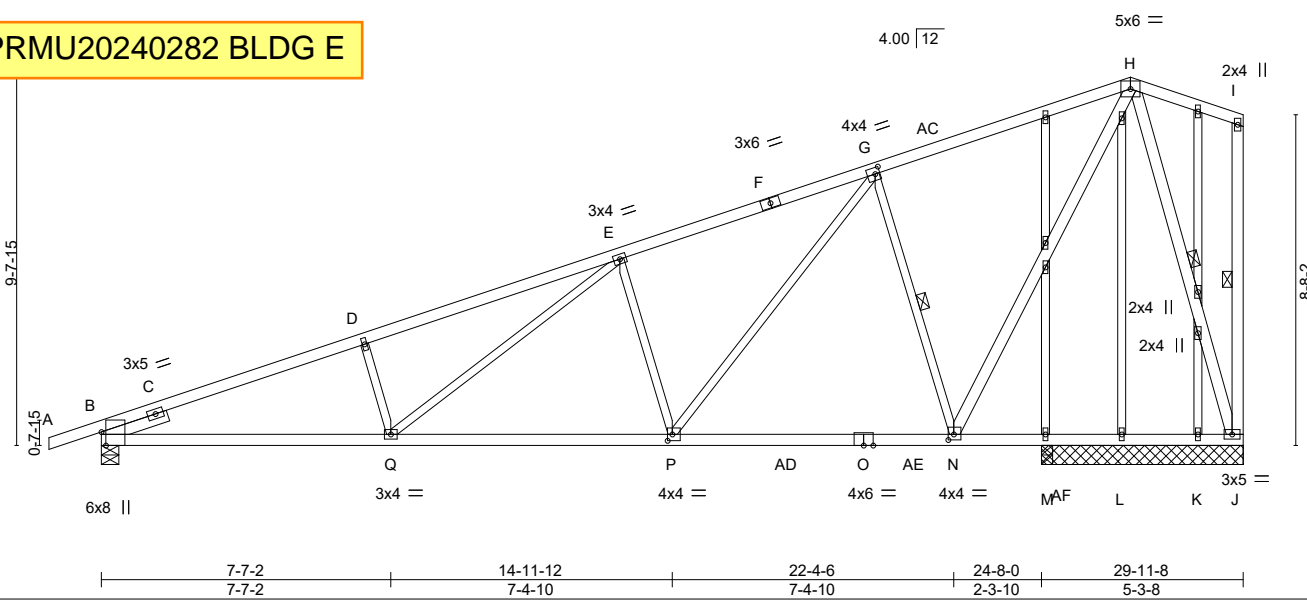


Plate Offsets (X,Y)-- [B:0-4-4,Edge], [G:0-1-8,0-2-0], [N:0-1-12,0-1-12], [P:0-1-8,0-2-0]

LOADING (psf)	SPACING-	CSI.	DEFL.	PLATES	GRIP
TCLL 25.0 (Roof Snow=25.0)	2-0-0 Plate Grip DOL 1.15 Lumber DOL 1.15	TC 0.97 BC 0.63 WB 0.63 Matrix-MS	in (loc) l/defl L/d Vert(LL) -0.22 N-P >999 360 Vert(CT) -0.40 P-Q >751 240 Horz(CT) 0.06 J n/a n/a Wind(LL) 0.11 P-Q >999 240	MT20	197/144
TCDL 12.0	Rep Stress Incr YES			Weight: 151 lb	FT = 20%
BCLL 0.0 *	Code IBC2018/TPI2014				
BCDL 10.0					

LUMBER-	BRACING-
TOP CHORD 2x4 SPF No.2	TOP CHORD Structural wood sheathing directly applied, except end verticals.
BOT CHORD 2x4 SPF No.2 *Except*	BOT CHORD Rigid ceiling directly applied or 10-0-0 oc bracing.
B-O: 2x4 SPF 2100F 1.8E	WEBS 1 Row at midpt G-N, I-J, H-J
WEBS 2x3 SPF No.2 *Except*	
H-N, I-J, H-J: 2x4 SPF No.2	
OTHERS 2x3 SPF No.2	
SLIDER Left 2x4 SPF No.2 1-9-12	

REACTIONS. All bearings 5-3-8 except (jt=length) B=0-5-8, M=0-3-8, M=0-3-8.
 (lb) - Max Horz B=272(LC 9)
 Max Uplift All uplift 100 lb or less at joint(s) K, M except B=198(LC 6), J=183(LC 7), L=145(LC 17)
 Max Grav All reactions 250 lb or less at joint(s) L, K except B=1513(LC 3), J=1198(LC 2), M=309(LC 3), M=291(LC 1)


FORCES. (lb) - Max. Comp./Max. Ten. - All forces 250 (lb) or less except when shown.
 TOP CHORD B-D=-3068/336, D-E=-2980/361, E-G=-2183/293, G-H=-1099/201
 BOT CHORD B-Q=-401/2851, P-Q=-278/2193, N-P=-147/1283, M-N=-94/364, L-M=-94/364, K-L=-94/364, J-K=-94/364
 WEBS D-Q=-381/149, E-Q=-107/747, E-P=-740/199, G-P=-148/1228, G-N=-1196/257, H-N=-184/1349, H-J=-1272/163

- NOTES-**
- 1) Wind: ASCE 7-16; Vult=115mph (3-second gust) Vasd=91mph; TCDL=4.2psf; BCDL=5.0psf; h=30ft; Ke=1.00; Cat. II; Exp B; Enclosed; MWFRS (envelope) gable end zone; cantilever left and right exposed; end vertical left and right exposed; Lumber DOL=1.33 plate grip DOL=1.33
 - 2) Truss designed for wind loads in the plane of the truss only. For studs exposed to wind (normal to the face), see Standard Industry Gable End Details as applicable, or consult qualified building designer as per ANSI/TPI 1.
 - 3) TCLL: ASCE 7-16; Pf=25.0 psf (Lum DOL = 1.15 Plate DOL = 1.15); Is=1.0; Rough Cat B; Partially Exp.; Ce=1.0; Cs=1.00; Ct=1.10
 - 4) Unbalanced snow loads have been considered for this design.
 - 5) This truss has been designed for greater of min roof live load of 20.0 psf or 2.00 times flat roof load of 25.0 psf on overhangs non-concurrent with other live loads.
 - 6) All plates are 1.5x4 MT20 unless otherwise indicated.
 - 7) Gable studs spaced at 2-0-0 oc.
 - 8) This truss has been designed for a 10.0 psf bottom chord live load nonconcurrent with any other live loads.
 - 9) * This truss has been designed for a live load of 20.0psf on the bottom chord in all areas where a rectangle 3-6-0 tall by 2-0-0 wide will fit between the bottom chord and any other members, with BCDL = 10.0psf.
 - 10) Provide mechanical connection (by others) of truss to bearing plate capable of withstanding 100 lb uplift at joint(s) K, M except (jt=lb) B=198, J=183, L=145.
 - 11) This truss is designed in accordance with the 2018 International Building Code section 2306.1 and referenced standard ANSI/TPI 1.



September 12, 2024

WARNING - Verify design parameters and READ NOTES ON THIS AND INCLUDED MITEK REFERENCE PAGE MII-7473 rev. 6/30/2020 BEFORE USE.
 Design valid for use only with MiTek® connectors. This design is based only upon parameters shown, and is for an individual building component, not a truss system. Before use, the building designer must verify the applicability of design parameters and properly incorporate this design into the overall building design. Bracing indicated is to prevent buckling of individual truss web and/or chord members only. Additional temporary and permanent bracing is always required for stability and to prevent collapse with possible personal injury and property damage. For general guidance regarding the fabrication, storage, delivery, erection and bracing of trusses and truss systems, see **ANSI/TPI1 Quality Criteria, DSB-89 and BCSI Building Component Safety Information** available from Truss Plate Institute, 2670 Crain Highway, Suite 203 Waldorf, MD 20601



240 Stirling Crescent
Bradford, ON. L3Z 4L5

Job N0653A	Truss A11	Truss Type GABLE	Qty 2	Ply 1	Buildings A-H	U1530829
---------------	--------------	---------------------	----------	----------	---------------	----------

Alliance Truss (CA), Abbotsford, BC - V2S 7P6, 8.820 s Aug 30 2024 MiTek Industries, Inc. Thu Sep 12 02:47:48 2024 Page 1
 ID:hFyjDMxrTsEK_kgkR0vWWWzFlgc-gF397gryEPZ1uzT7Y6f?GIGQmbr9f89u8tUshyevrP
 1-4-8 | 6-4-9 | 12-6-10 | 18-8-11 | 24-10-12 | 27-0-0 | 29-9-12
 1-4-8 | 6-4-9 | 6-2-1 | 6-2-1 | 6-2-1 | 2-1-4 | 2-9-12

PRMU20240282 BLDG E

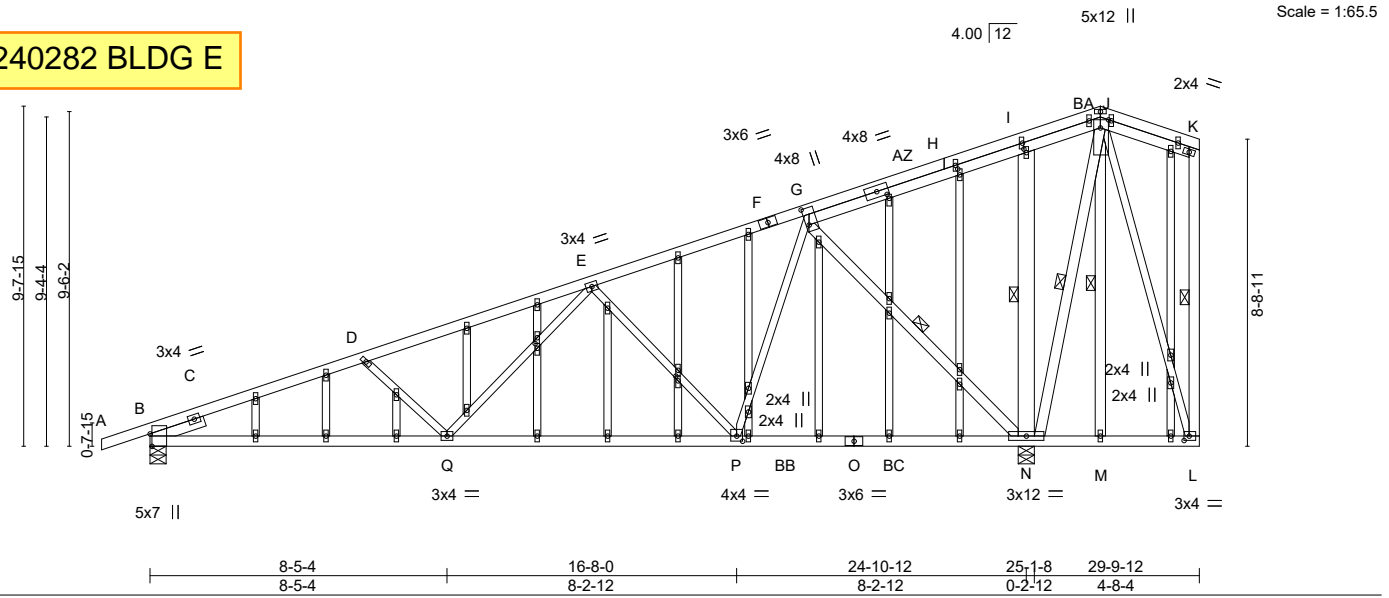


Plate Offsets (X,Y)-- [B:0-4-4,Edge], [G:0-5-12,0-1-0], [I:0-2-0,0-0-8], [J:0-2-12,Edge], [L:0-1-12,0-1-8], [P:0-2-0,0-1-12], [R:0-2-0,0-0-11], [U:0-1-6,0-0-12], [AE:0-1-10,0-0-12], [AH:0-1-10,0-0-12]

LOADING (psf)	SPACING-	CSI.	DEFL.	PLATES	GRIP
TCLL 25.0 (Roof Snow=25.0)	2-0-0	TC 0.74	in (loc) l/defl L/d	MT20	197/144
TCDL 12.0	Plate Grip DOL 1.15	BC 0.96	Vert(LL) -0.16 P-Q >999 360		
BCLL 0.0 *	Lumber DOL 1.15	WB 0.75	Vert(CT) -0.31 P-Q >949 240		
BCDL 10.0	Rep Stress Incr YES	Matrix-MS	Horz(CT) 0.06 N n/a n/a		
	Code IBC2018/TPI2014		Wind(LL) 0.08 P-Q >999 240	Weight: 208 lb	FT = 20%

LUMBER-	BRACING-
TOP CHORD 2x4 SPF No.2	TOP CHORD Structural wood sheathing directly applied or 2-5-1 oc purlins, except end verticals.
BOT CHORD 2x4 SPF No.2	BOT CHORD Rigid ceiling directly applied or 2-2-0 oc bracing.
WEBS 2x3 SPF No.2 *Except* G-N,J-N,K-L: 2x4 SPF No.2, I-N: 2x6 SPF No.2	WEBS 1 Row at midpt G-N, I-N, J-N, K-L, J-M
OTHERS 2x3 SPF No.2 *Except* J-M: 2x4 SPF No.2	
SLIDER Left 2x4 SPF No.2 1-7-4	

REACTIONS. (size) B=0-5-8, N=0-5-8
 Max Horz B=265(LC 9)
 Max Uplift B=-168(LC 6), N=-203(LC 6)
 Max Grav B=1263(LC 3), N=1742(LC 3)

FORCES. (lb) - Max. Comp./Max. Ten. - All forces 250 (lb) or less except when shown.
 TOP CHORD B-D=-2427/278, D-E=-2187/227, E-G=-1200/154
 BOT CHORD B-Q=-347/2252, P-Q=-223/1591, N-P=-84/804
 WEBS D-Q=-396/149, E-Q=-26/641, E-P=-793/183, G-P=-55/941, G-N=-1251/212, I-N=-475/123, J-N=-360/115

- NOTES-**
- 1) Wind: ASCE 7-16; Vult=115mph (3-second gust) Vasd=91mph; TCDL=4.2psf; BCDL=5.0psf; h=30ft; Ke=1.00; Cat. II; Exp B; Enclosed; MWFRS (envelope) gable end zone; cantilever left and right exposed ; end vertical left and right exposed; Lumber DOL=1.33 plate grip DOL=1.33
 - 2) Truss designed for wind loads in the plane of the truss only. For studs exposed to wind (normal to the face), see Standard Industry Gable End Details as applicable, or consult qualified building designer as per ANSI/TPI 1.
 - 3) TCLL: ASCE 7-16; Pf=25.0 psf (Lum DOL = 1.15 Plate DOL = 1.15); Is=1.0; Rough Cat B; Partially Exp.; Ce=1.0; Cs=1.00; Ct=1.10
 - 4) Unbalanced snow loads have been considered for this design.
 - 5) This truss has been designed for greater of min roof live load of 20.0 psf or 2.00 times flat roof load of 25.0 psf on overhangs non-concurrent with other live loads.
 - 6) All plates are 1.5x4 MT20 unless otherwise indicated.
 - 7) Gable studs spaced at 2-0-0 oc.
 - 8) This truss has been designed for a 10.0 psf bottom chord live load nonconcurrent with any other live loads.
 - 9) * This truss has been designed for a live load of 20.0psf on the bottom chord in all areas where a rectangle 3-6-0 tall by 2-0-0 wide will fit between the bottom chord and any other members, with BCDL = 10.0psf.
 - 10) Provide mechanical connection (by others) of truss to bearing plate capable of withstanding 100 lb uplift at joint(s) except (jt=lb) B=168, N=203.
 - 11) This truss is designed in accordance with the 2018 International Building Code section 2306.1 and referenced standard ANSI/TPI 1.



September 12, 2024

Continued on page 2

WARNING - Verify design parameters and READ NOTES ON THIS AND INCLUDED MITEK REFERENCE PAGE MII-7473 rev. 6/30/2020 BEFORE USE.
 Design valid for use only with MiTek® connectors. This design is based only upon parameters shown, and is for an individual building component, not a truss system. Before use, the building designer must verify the applicability of design parameters and properly incorporate this design into the overall building design. Bracing indicated is to prevent buckling of individual truss web and/or chord members only. Additional temporary and permanent bracing is always required for stability and to prevent collapse with possible personal injury and property damage. For general guidance regarding the fabrication, storage, delivery, erection and bracing of trusses and truss systems, see **ANSI/TPI1 Quality Criteria, DSB-89 and BCSI Building Component Safety Information** available from Truss Plate Institute, 2670 Crain Highway, Suite 203 Waldorf, MD 20601



Job	Truss	Truss Type	Qty	Ply	Buildings A-H	U1530829
N0653A	A11	GABLE	2	1	Job Reference (optional)	

Alliance Truss (CA), Abbotsford, BC - V2S 7P6,

8.820 s Aug 30 2024 MiTek Industries, Inc. Thu Sep 12 02:47:48 2024 Page 2
 ID:hFyjDMxrTsEK_kgkR0vWWWzF1gc-gF397gryEPZ1uzT7Y6f?GIGQmbr9f89u8tUshxyeVrP

NOTES-
 12) No notches allowed in overhang and 200100 from left end and 0 from right end or 12" along rake from scarf, whichever is larger. Minimum 1.5x4 tie plates required at ends. For edge-wise notching, provide at least one tie plate between each notch.

PRMU20240282 BLDG E

WARNING - Verify design parameters and READ NOTES ON THIS AND INCLUDED MITEK REFERENCE PAGE MII-7473 rev. 6/30/2020 BEFORE USE.
 Design valid for use only with MiTek® connectors. This design is based only upon parameters shown, and is for an individual building component, not a truss system. Before use, the building designer must verify the applicability of design parameters and properly incorporate this design into the overall building design. Bracing indicated is to prevent buckling of individual truss web and/or chord members only. Additional temporary and permanent bracing is always required for stability and to prevent collapse with possible personal injury and property damage. For general guidance regarding the fabrication, storage, delivery, erection and bracing of trusses and truss systems, see **ANSI/TPI1 Quality Criteria, DSB-89 and BCSI Building Component Safety Information** available from Truss Plate Institute, 2670 Crain Highway, Suite 203 Waldorf, MD 20601



Job	Truss	Truss Type	Qty	Ply	Buildings A-H	U1530830
N0653A	A12	COMMON	6	1		

Alliance Truss (CA), Abbotsford, BC - V2S 7P6,

8.820 s Aug 30 2024 MiTek Industries, Inc. Thu Sep 12 02:47:50 2024 Page 1

ID:hFyjDMxrTsEK_kgkR0vWWVzFlgc-cdAvYMtCm0pl7GdVfXhTLjLiUOZv705BcBzypmyeVrN



PRMU20240282 BLDG E

4.00 | 12 5x7 = Scale = 1:52.8

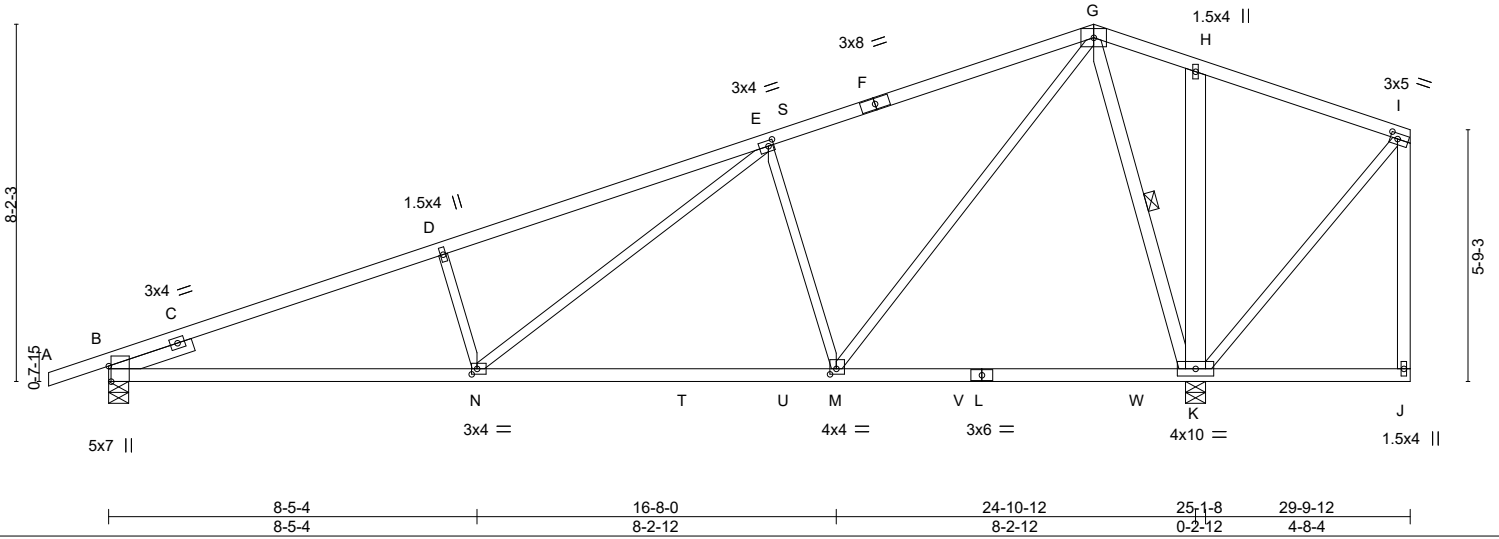


Plate Offsets (X,Y)-- [B:0-4-4,Edge], [E:0-1-8,0-1-8], [I:0-2-0,0-1-8], [M:0-1-12,0-1-8], [N:0-1-8,0-1-8]

LOADING (psf)	SPACING-	CSI.	DEFL.	PLATES	GRIP
TCLL 25.0 (Roof Snow=25.0)	2-0-0 Plate Grip DOL 1.15 Lumber DOL 1.15	TC 0.98 BC 0.88 WB 0.79	in (loc) l/defl L/d Vert(LL) -0.20 M-N >999 360 Vert(CT) -0.36 M-N >826 240 Horz(CT) 0.05 K n/a n/a Wind(LL) 0.07 M-N >999 240	MT20	197/144
TCDL 12.0	Rep Stress Incr YES	Matrix-MS		Weight: 128 lb	FT = 20%
BCLL 0.0 *	Code IBC2018/TPI2014				
BCDL 10.0					

LUMBER-

TOP CHORD 2x4 SPF No.2
 BOT CHORD 2x4 SPF No.2
 WEBS 2x3 SPF No.2 *Except*
 G-K,I-J: 2x4 SPF No.2, H-K: 2x6 SPF No.2
 SLIDER Left 2x4 SPF No.2 2-0-2

BRACING-

TOP CHORD Structural wood sheathing directly applied, except end verticals.
 BOT CHORD Rigid ceiling directly applied or 9-7-3 oc bracing.
 WEBS 1 Row at midpt G-K

REACTIONS.

(size) B=0-5-8, K=0-5-8
 Max Horz B=198(LC 10)
 Max Uplift B=-165(LC 6), K=-161(LC 6)
 Max Grav B=1313(LC 3), K=1776(LC 2)

FORCES. (lb) - Max. Comp./Max. Ten. - All forces 250 (lb) or less except when shown.

TOP CHORD B-D=-2500/248, D-E=-2401/276, E-G=-1381/184, H-I=-9/265
 BOT CHORD B-N=-372/2316, M-N=-223/1462, K-M=-47/295
 WEBS D-N=-461/168, E-N=-132/1007, E-M=-1008/241, G-M=-183/1541, G-K=-1296/184,
 H-K=-480/108, I-K=-269/41

NOTES-

- 1) Wind: ASCE 7-16; Vult=115mph (3-second gust) Vasd=91mph; TCDL=4.2psf; BCDL=5.0psf; h=30ft; Ke=1.00; Cat. II; Exp B; Enclosed; MWFRS (envelope) gable end zone; cantilever left exposed ; end vertical left exposed; Lumber DOL=1.33 plate grip DOL=1.33
- 2) TCLL: ASCE 7-16; Pf=25.0 psf (Lum DOL = 1.15 Plate DOL = 1.15); Is=1.0; Rough Cat B; Partially Exp.; Ce=1.0; Cs=1.00; Ct=1.10
- 3) Unbalanced snow loads have been considered for this design.
- 4) This truss has been designed for greater of min roof live load of 20.0 psf or 2.00 times flat roof load of 25.0 psf on overhangs non-concurrent with other live loads.
- 5) This truss has been designed for a 10.0 psf bottom chord live load nonconcurrent with any other live loads.
- 6) * This truss has been designed for a live load of 20.0psf on the bottom chord in all areas where a rectangle 3-6-0 tall by 2-0-0 wide will fit between the bottom chord and any other members, with BCDL = 10.0psf.
- 7) Provide mechanical connection (by others) of truss to bearing plate capable of withstanding 100 lb uplift at joint(s) except (jt=lb) B=165, K=161.
- 8) This truss is designed in accordance with the 2018 International Building Code section 2306.1 and referenced standard ANSI/TPI 1.



September 12, 2024

WARNING - Verify design parameters and READ NOTES ON THIS AND INCLUDED MITEK REFERENCE PAGE MII-7473 rev. 6/30/2020 BEFORE USE.

Design valid for use only with MiTek® connectors. This design is based only upon parameters shown, and is for an individual building component, not a truss system. Before use, the building designer must verify the applicability of design parameters and properly incorporate this design into the overall building design. Bracing indicated is to prevent buckling of individual truss web and/or chord members only. Additional temporary and permanent bracing is always required for stability and to prevent collapse with possible personal injury and property damage. For general guidance regarding the fabrication, storage, delivery, erection and bracing of trusses and truss systems, see

Safety Information available from Truss Plate Institute, 2670 Crain Highway, Suite 203 Waldorf, MD 20601



240 Stirling Crescent
 Bradford, ON. L3Z 4L5

Job	Truss	Truss Type	Qty	Ply	Buildings A-H	U1530831
N0653A	A13	GABLE	2	1		

Alliance Truss (CA), Abbotsford, BC - V2S 7P6,

8.820 s Aug 30 2024 MiTek Industries, Inc. Thu Sep 12 02:47:50 2024 Page 1
ID:hFyjDMxrTsEK_kgkR0vWWVzFlgc-cdAvYMiCmOp17GdVfXhTLjLq9Okv7AHBcBzypmpeVrN



PRMU20240282 BLDG E

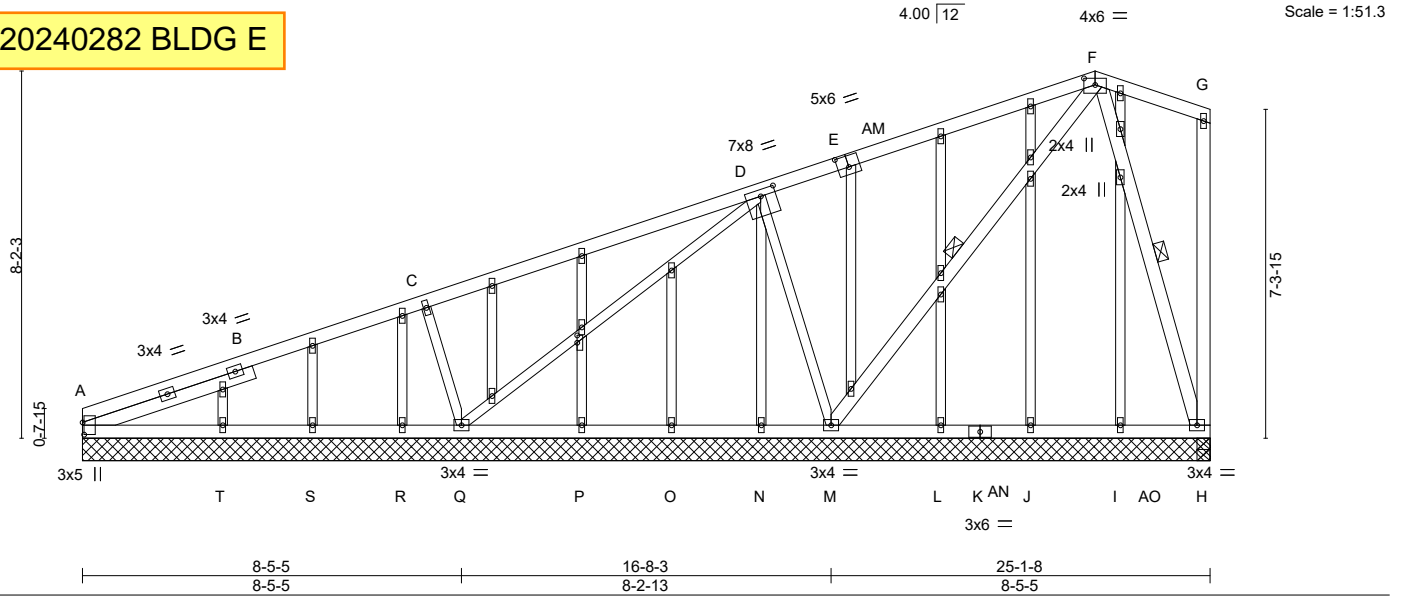


Plate Offsets (X,Y)-- [A:0-3-4,0-0-7], [D:0-4-0,0-1-12], [E:0-3-0,0-3-0], [F:0-3-0,0-1-12], [AF:0-1-15,0-0-0]

LOADING (psf)	SPACING-	CSI.	DEFL.	in (loc)	l/defl	L/d	PLATES	GRIP
TCLL 25.0 (Roof Snow=25.0)	1-0-0 Plate Grip DOL 1.15 Lumber DOL 1.15	TC 0.49 BC 0.18 WB 0.14 Matrix-S	Vert(LL) -0.00 Vert(CT) -0.01 Horz(CT) 0.00 Wind(LL) 0.00	A-T A-T H A-T	>999 >999 n/a >999	360 240 n/a 240	MT20	197/144
TCDL 12.0	Rep Stress Incr NO Code IBC2018/TPI2014						Weight: 142 lb	FT = 20%
BCLL 0.0 *								
BCDL 10.0								

LUMBER-
TOP CHORD 2x4 SPF No.2
BOT CHORD 2x4 SPF No.2
WEBS 2x4 SPF No.2 *Except*
C-Q,D-Q,D-M: 2x3 SPF No.2
OTHERS 2x3 SPF No.2
SLIDER Left 2x4 SPF No.2 4-0-1

BRACING-
TOP CHORD Structural wood sheathing directly applied or 6-0-0 oc purlins, except end verticals.
BOT CHORD Rigid ceiling directly applied or 10-0-0 oc bracing.
WEBS 1 Row at midpt F-M, F-H

REACTIONS. All bearings 25-1-8.
(lb) - Max Horz A=112(LC 10)
Max Uplift All uplift 100 lb or less at joint(s) A, Q, M, H, N
Max Grav All reactions 250 lb or less at joint(s) A, Q, M, H, H, I, J, L, N, O, P, R, S, T

FORCES. (lb) - Max. Comp./Max. Ten. - All forces 250 (lb) or less except when shown.
TOP CHORD A-C=-256/19
WEBS C-Q=-264/93

- NOTES-**
- 1) Wind: ASCE 7-16; Vult=115mph (3-second gust) Vasd=91mph; TCDL=4.2psf; BCDL=5.0psf; h=30ft; Ke=1.00; Cat. II; Exp B; Enclosed; MWFRS (envelope) gable end zone; cantilever left exposed ; end vertical left exposed; Lumber DOL=1.33 plate grip DOL=1.33
 - 2) Truss designed for wind loads in the plane of the truss only. For studs exposed to wind (normal to the face), see Standard Industry Gable End Details as applicable, or consult qualified building designer as per ANSI/TPI 1.
 - 3) TCLL: ASCE 7-16; Pf=25.0 psf (Lum DOL = 1.15 Plate DOL = 1.15); Is=1.0; Rough Cat B; Partially Exp.; Ce=1.0; Cs=1.00; Ct=1.10
 - 4) Unbalanced snow loads have been considered for this design.
 - 5) All plates are 1.5x4 MT20 unless otherwise indicated.
 - 6) Gable studs spaced at 2-0-0 oc.
 - 7) This truss has been designed for a 10.0 psf bottom chord live load nonconcurrent with any other live loads.
 - 8) * This truss has been designed for a live load of 20.0psf on the bottom chord in all areas where a rectangle 3-6-0 tall by 2-0-0 wide will fit between the bottom chord and any other members, with BCDL = 10.0psf.
 - 9) Provide mechanical connection (by others) of truss to bearing plate capable of withstanding 100 lb uplift at joint(s) A, Q, M, H, N.
 - 10) This truss is designed in accordance with the 2018 International Building Code section 2306.1 and referenced standard ANSI/TPI 1.



September 12, 2024

WARNING - Verify design parameters and READ NOTES ON THIS AND INCLUDED MITEK REFERENCE PAGE MII-7473 rev. 6/30/2020 BEFORE USE.

Design valid for use only with MiTek® connectors. This design is based only upon parameters shown, and is for an individual building component, not a truss system. Before use, the building designer must verify the applicability of design parameters and properly incorporate this design into the overall building design. Bracing indicated is to prevent buckling of individual truss web and/or chord members only. Additional temporary and permanent bracing is always required for stability and to prevent collapse with possible personal injury and property damage. For general guidance regarding the fabrication, storage, delivery, erection and bracing of trusses and truss systems, see

Safety Information available from Truss Plate Institute, 2670 Crain Highway, Suite 203 Waldorf, MD 20601

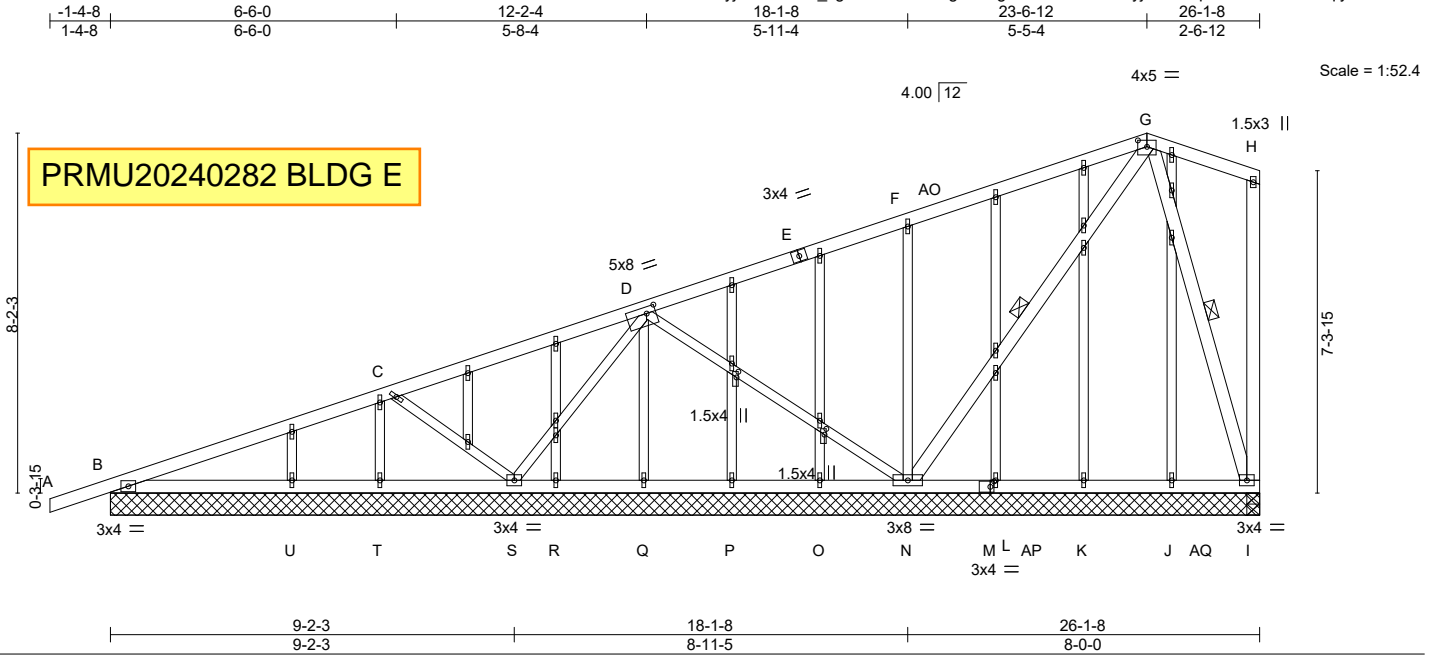


240 Stirling Crescent
Bradford, ON. L3Z 4L5

Job	Truss	Truss Type	Qty	Ply	Buildings A-H	U1530832
N0653A	A14	GABLE	2	1		

Alliance Truss (CA), Abbotsford, BC - V2S 7P6,

8.820 s Aug 30 2024 MiTek Industries, Inc. Thu Sep 12 02:47:52 2024 Page 1
 ID:hFyjDMxrTsEK_kgkR0vWWWvzF1gc-Y0lgz1uSld3TNamunyxQ8RDpCQ5b3EU3US3qiyeVrL



PRMU20240282 BLDG E

Plate Offsets (X,Y)-- [D:0-2-8,0-1-12], [G:0-2-8,0-1-12], [M:0-1-0,0-1-8], [AF:0-1-9,0-0-8], [AH:0-1-9,0-0-8]

LOADING (psf)	SPACING-	CSI.	DEFL.	in (loc)	l/defl	L/d	PLATES	GRIP
TCLL 25.0 (Roof Snow=25.0)	1-0-0	TC 0.29	Vert(LL)	-0.01	B-U	>999	MT20	197/144
TCDL 12.0	Lumber DOL 1.15	BC 0.13	Vert(CT)	-0.01	B-U	>999		
BCLL 0.0 *	Rep Stress Incr NO	WB 0.24	Horz(CT)	0.00	S	n/a		
BCDL 10.0	Code IBC2018/TPI2014	Matrix-S	Wind(LL)	0.00	B-U	>999	Weight: 141 lb	FT = 20%

LUMBER-

TOP CHORD 2x4 SPF No.2
 BOT CHORD 2x4 SPF No.2
 WEBS 2x3 SPF No.2 *Except*
 G-N,H-I,G-I: 2x4 SPF No.2
 OTHERS 2x3 SPF No.2

BRACING-

TOP CHORD Structural wood sheathing directly applied or 6-0-0 oc purlins, except end verticals.
 BOT CHORD Rigid ceiling directly applied or 6-0-0 oc bracing.
 WEBS 1 Row at midpt G-N, G-I

REACTIONS.

All bearings 26-1-8.
 (lb) - Max Horz B=119(LC 6)
 Max Uplift All uplift 100 lb or less at joint(s) B, S, N, I, Q
 Max Grav All reactions 250 lb or less at joint(s) B, I, J, K, L, O, P, Q, R, T, U except S=314(LC 17), N=350(LC 17)

FORCES. (lb) - Max. Comp./Max. Ten. - All forces 250 (lb) or less except when shown.

WEBS C-S=-269/91, F-N=-260/79

NOTES-

- 1) Wind: ASCE 7-16; Vult=115mph (3-second gust) Vasd=91mph; TCDL=4.2psf; BCDL=5.0psf; h=30ft; Ke=1.00; Cat. II; Exp B; Enclosed; MWFRS (envelope) gable end zone; cantilever left exposed ; end vertical left exposed; Lumber DOL=1.33 plate grip DOL=1.33
- 2) Truss designed for wind loads in the plane of the truss only. For studs exposed to wind (normal to the face), see Standard Industry Gable End Details as applicable, or consult qualified building designer as per ANSI/TPI 1.
- 3) TCLL: ASCE 7-16; Pf=25.0 psf (Lum DOL = 1.15 Plate DOL = 1.15); Is=1.0; Rough Cat B; Partially Exp.; Ce=1.0; Cs=1.00; Ct=1.10
- 4) Unbalanced snow loads have been considered for this design.
- 5) This truss has been designed for greater of min roof live load of 20.0 psf or 2.00 times flat roof load of 25.0 psf on overhangs non-concurrent with other live loads.
- 6) All plates are 1x4 MT20 unless otherwise indicated.
- 7) Gable studs spaced at 2-0-0 oc.
- 8) This truss has been designed for a 10.0 psf bottom chord live load nonconcurrent with any other live loads.
- 9) * This truss has been designed for a live load of 20.0psf on the bottom chord in all areas where a rectangle 3-6-0 tall by 2-0-0 wide will fit between the bottom chord and any other members, with BCDL = 10.0psf.
- 10) Provide mechanical connection (by others) of truss to bearing plate capable of withstanding 100 lb uplift at joint(s) B, S, N, I, Q.
- 11) This truss is designed in accordance with the 2018 International Building Code section 2306.1 and referenced standard ANSI/TPI 1.



September 12, 2024

WARNING - Verify design parameters and READ NOTES ON THIS AND INCLUDED MITEK REFERENCE PAGE MII-7473 rev. 6/30/2020 BEFORE USE.

Design valid for use only with MiTek® connectors. This design is based only upon parameters shown, and is for an individual building component, not a truss system. Before use, the building designer must verify the applicability of design parameters and properly incorporate this design into the overall building design. Bracing indicated is to prevent buckling of individual truss web and/or chord members only. Additional temporary and permanent bracing is always required for stability and to prevent collapse with possible personal injury and property damage. For general guidance regarding the fabrication, storage, delivery, erection and bracing of trusses and truss systems, see **ANSI/TPI1 Quality Criteria, DSB-89 and BCSI Building Component Safety Information** available from Truss Plate Institute, 2670 Crain Highway, Suite 203 Waldorf, MD 20601



240 Stirling Crescent
 Bradford, ON. L3Z 4L5

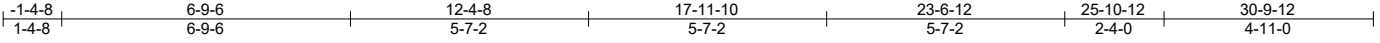
Job	Truss	Truss Type	Qty	Ply	Buildings A-H	U1530833
N0653A	A15	Roof Special	6	1		

Job Reference (optional)

Alliance Truss (CA), Abbotsford, BC - V2S 7P6,

8.820 s Aug 30 2024 MiTek Industries, Inc. Thu Sep 12 02:47:52 2024 Page 1

ID:hFyjDMxrTsEK_kgkR0vWWVzFlgc-Y0lgz1uSld3TNamunyxQ8R23CGdbutU3US3qiyeVrL



PRMU20240282 BLDG E

Scale = 1:54.1

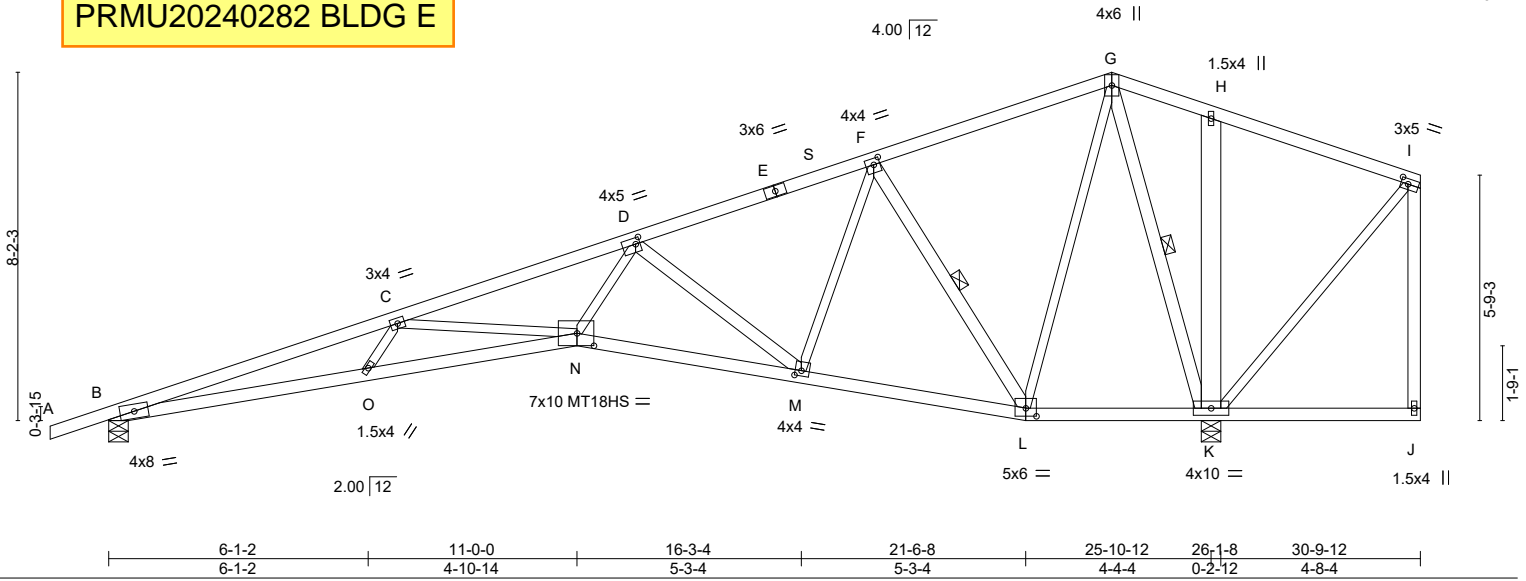


Plate Offsets (X,Y)--	[D:0-1-4,0-1-12], [F:0-1-12,0-1-12], [I:0-2-0,0-1-8], [L:0-3-0,0-2-4], [M:0-1-12,0-1-8], [N:0-4-12,0-3-8]
-----------------------	---

LOADING (psf)	SPACING-	CSI.	DEFL.	PLATES	GRIP
TCLL 25.0 (Roof Snow=25.0)	2-0-0 Plate Grip DOL 1.15	TC 0.98	in (loc) l/defl L/d	MT20	197/144
TCDL 12.0	Lumber DOL 1.15	BC 0.80	Vert(LL) -0.41 N-O >752 360	MT18HS	197/144
BCLL 0.0 *	Rep Stress Incr YES	WB 0.90	Vert(CT) -0.75 N-O >417 240		
BCDL 10.0	Code IBC2018/TPI2014	Matrix-MS	Horz(CT) 0.30 K n/a n/a		
			Wind(LL) 0.23 N-O >999 240	Weight: 138 lb	FT = 20%

LUMBER-	BRACING-
TOP CHORD 2x4 SPF No.2	TOP CHORD Structural wood sheathing directly applied, except end verticals.
BOT CHORD 2x4 SPF No.2 *Except*	BOT CHORD Rigid ceiling directly applied or 9-2-5 oc bracing.
B-N: 2x4 SPF 2100F 1.8E	WEBS 1 Row at midpt F-L, G-K
WEBS 2x3 SPF No.2 *Except*	
D-M,F-L,G-K,I-J: 2x4 SPF No.2, H-K: 2x6 SPF No.2	

REACTIONS. (size) B=0-5-8, K=0-5-8
 Max Horz B=166(LC 9)
 Max Uplift B=-182(LC 6), K=-200(LC 7)
 Max Grav B=1339(LC 17), K=1704(LC 1)

FORCES. (lb) - Max. Comp./Max. Ten. - All forces 250 (lb) or less except when shown.
 TOP CHORD B-C=-5336/630, C-D=-4305/511, D-F=-1825/226, F-G=-720/138, H-I=-54/272
 BOT CHORD B-O=-679/5068, N-O=-716/5048, M-N=-412/3163, L-M=-144/1361, K-L=-25/299
 WEBS C-N=-971/206, D-N=-192/1829, D-M=-1881/304, F-M=-97/1089, F-L=-1465/228,
 G-L=-134/1151, G-K=-1320/143, H-K=-503/117, I-K=-280/56

- NOTES-**
- 1) Wind: ASCE 7-16; Vult=115mph (3-second gust) Vasd=91mph; TCDL=4.2psf; BCDL=5.0psf; h=30ft; Ke=1.00; Cat. II; Exp B; Enclosed; MWFRS (envelope) gable end zone; cantilever left and right exposed; end vertical left and right exposed; Lumber DOL=1.33 plate grip DOL=1.33
 - 2) TCLL: ASCE 7-16; Pf=25.0 psf (Lum DOL = 1.15 Plate DOL = 1.15); Is=1.0; Rough Cat B; Partially Exp.; Ce=1.0; Cs=1.00; Ct=1.10
 - 3) Unbalanced snow loads have been considered for this design.
 - 4) This truss has been designed for greater of min roof live load of 20.0 psf or 2.00 times flat roof load of 25.0 psf on overhangs non-concurrent with other live loads.
 - 5) All plates are MT20 plates unless otherwise indicated.
 - 6) This truss has been designed for a 10.0 psf bottom chord live load nonconcurrent with any other live loads.
 - 7) * This truss has been designed for a live load of 20.0psf on the bottom chord in all areas where a rectangle 3-6-0 tall by 2-0-0 wide will fit between the bottom chord and any other members.
 - 8) Bearing at joint(s) B considers parallel to grain value using ANSI/TPI 1 angle to grain formula. Building designer should verify capacity of bearing surface.
 - 9) Provide mechanical connection (by others) of truss to bearing plate capable of withstanding 100 lb uplift at joint(s) except (jt=lb) B=182, K=200.
 - 10) This truss is designed in accordance with the 2018 International Building Code section 2306.1 and referenced standard ANSI/TPI 1.



September 12, 2024

WARNING - Verify design parameters and READ NOTES ON THIS AND INCLUDED MITEK REFERENCE PAGE MII-7473 rev. 6/30/2020 BEFORE USE.

Design valid for use only with MiTek® connectors. This design is based only upon parameters shown, and is for an individual building component, not a truss system. Before use, the building designer must verify the applicability of design parameters and properly incorporate this design into the overall building design. Bracing indicated is to prevent buckling of individual truss web and/or chord members only. Additional temporary and permanent bracing is always required for stability and to prevent collapse with possible personal injury and property damage. For general guidance regarding the fabrication, storage, delivery, erection and bracing of trusses and truss systems, see

Safety Information available from Truss Plate Institute, 2670 Crain Highway, Suite 203 Waldorf, MD 20601

ANSI/TPI1 Quality Criteria, DSB-89 and BCSI Building Component

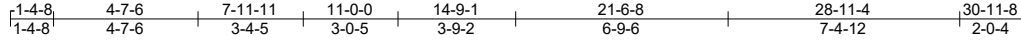


240 Stirling Crescent
 Bradford, ON. L3Z 4L5

Job	Truss	Truss Type	Qty	Ply	Buildings A-H	U1530834
N0653A	A16	GABLE	2	1		

Alliance Truss (CA), Abbotsford, BC - V2S 7P6, 8.820 s Aug 30 2024 MiTek Industries, Inc. Thu Sep 12 02:47:53 2024 Page 1

ID:hFyjDMxrTsEK_kgkR0vWWVzFlgc-0Cs2ANv53xBK_kL4KfEzLzF4caXKL9d18BdN8yeVrk



PRMU20240282 BLDG E

Scale = 1:73.6

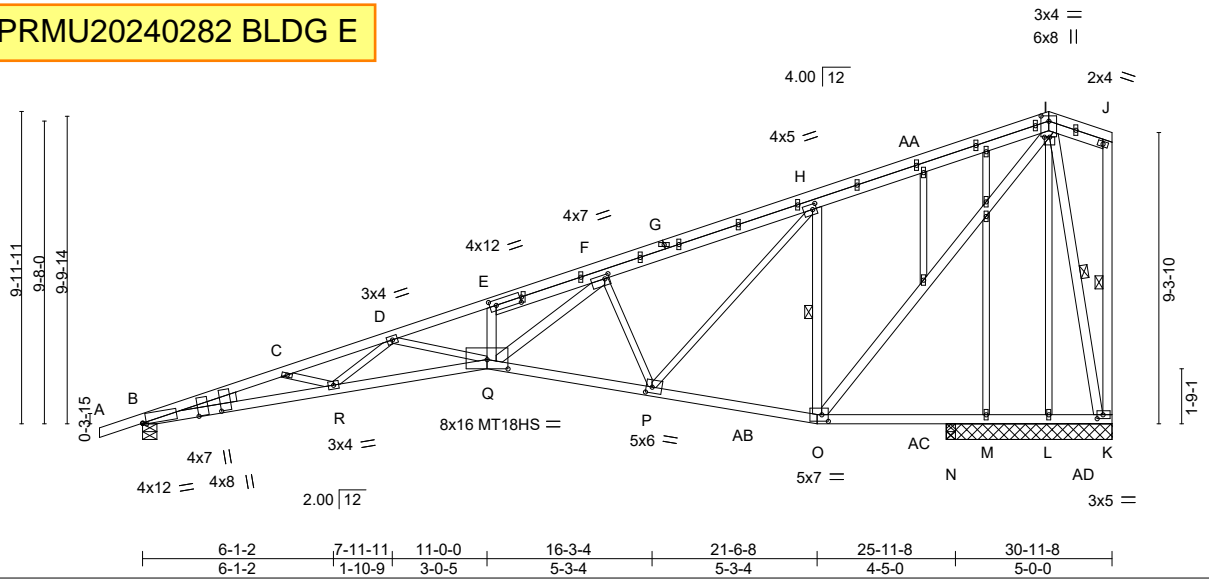


Plate Offsets (X,Y)--	[B:0-1-7,Edge], [B:0-0-14,1-9-12], [B:0-0-6,2-6-10], [E:0-2-0,0-0-1], [E:0-2-8,0-2-0], [F:0-1-12,0-1-8], [H:0-1-8,0-2-0], [I:0-2-0,0-3-0], [I:0-2-0,0-0-0], [K:0-2-4,0-1-8], [O:0-2-8,0-2-8], [P:0-2-4,0-2-4], [Q:0-8-0,0-3-9]
-----------------------	--

LOADING (psf)	SPACING-	CSI.	DEFL.	PLATES	GRIP
TCLL 25.0 (Roof Snow=25.0)	2-0-0	TC 0.90	in (loc) l/defl L/d	MT20	197/144
TCDL 12.0	Plate Grip DOL 1.15	BC 0.95	Vert(LL) -0.66 Q-R >468 360	MT18HS	197/144
BCLL 0.0 *	Lumber DOL 1.15	WB 0.90	Vert(CT) -1.20 Q-R >259 240		
BCDL 10.0	Rep Stress Incr YES	Matrix-MS	Horz(CT) 0.42 K n/a n/a		
	Code IBC2018/TPI2014		Wind(LL) 0.38 Q-R >817 240	Weight: 181 lb	FT = 20%

LUMBER-	BRACING-
TOP CHORD 2x4 SPF No.2 *Except* A-G: 2x4 SPF 2100F 1.8E	TOP CHORD Structural wood sheathing directly applied or 1-7-8 oc purlins, except end verticals.
BOT CHORD 2x4 SPF No.2 *Except* B-Q: 2x4 SPF 2100F 1.8E	BOT CHORD Rigid ceiling directly applied or 2-2-0 oc bracing.
WEBS 2x4 SPF No.2 *Except* D-Q,F-P,H-P,D-R,C-R: 2x3 SPF No.2	WEBS 1 Row at midpt H-O, J-K, I-K
OTHERS 2x3 SPF No.2	
WEDGE Left: 2x4 SPF No.2	

REACTIONS. All bearings 5-3-8 except (jt=length) B=0-5-8, N=0-3-8.
 (lb) - Max Horz B=289(LC 9)
 Max Uplift All uplift 100 lb or less at joint(s) L, N except B=-208(LC 6), K=-185(LC 6), M=-480(LC 17)
 Max Grav All reactions 250 lb or less at joint(s) M except B=1529(LC 3), K=1212(LC 17), L=251(LC 21), N=722(LC 3)

FORCES. (lb) - Max. Comp./Max. Ten. - All forces 250 (lb) or less except when shown.
 TOP CHORD B-C=-7397/948, C-D=-7170/879, D-E=-6314/798, E-F=-6399/846, F-H=-2712/371, H-I=-1441/294
 BOT CHORD B-R=-1027/7170, Q-R=-964/6689, P-Q=-454/3260, O-P=-172/1360, N-O=-91/256, M-N=-91/256, L-M=-91/256, K-L=-91/256
 WEBS D-Q=-605/137, F-P=-1635/303, H-P=-228/1842, H-O=-1557/324, I-O=-296/1675, I-K=-1335/206, E-Q=-357/86, D-R=0/324, C-R=-301/97, F-Q=-491/3657

- NOTES-**
- 1) Wind: ASCE 7-16; Vult=115mph (3-second gust) Vasd=91mph; TCDL=4.2psf; BCDL=5.0psf; h=30ft; Ke=1.00; Cat. II; Exp B; Enclosed; MWFRS (envelope) gable end zone; cantilever left and right exposed ; end vertical left and right exposed; Lumber DOL=1.33 plate grip DOL=1.33
 - 2) Truss designed for wind loads in the plane of the truss only. For studs exposed to wind (normal to the face), see Standard Industry Gable End Details as applicable, or consult qualified building designer as per ANSI/TPI 1.
 - 3) TCLL: ASCE 7-16; Pf=25.0 psf (Lum DOL = 1.15 Plate DOL = 1.15); Is=1.0; Rough Cat B; Partially Exp.; Ce=1.0; Cs=1.00; Ct=1.10
 - 4) Unbalanced snow loads have been considered for this design.
 - 5) This truss has been designed for greater of min roof live load of 20.0 psf or 2.00 times flat roof load of 25.0 psf on overhangs non-concurrent with other live loads.
 - 6) All plates are MT20 plates unless otherwise indicated.
 - 7) All plates are 1.5x4 MT20 unless otherwise indicated.
 - 8) Gable studs spaced at 2-0-0 oc.
 - 9) This truss has been designed for a 10.0 psf bottom chord live load nonconcurrent with any other live loads.



September 12, 2024

Continued on page 2

WARNING - Verify design parameters and READ NOTES ON THIS AND INCLUDED MITEK REFERENCE PAGE MII-7473 rev. 6/30/2020 BEFORE USE.
 Design valid for use only with MiTek® connectors. This design is based only upon parameters shown, and is for an individual building component, not a truss system. Before use, the building designer must verify the applicability of design parameters and properly incorporate this design into the overall building design. Bracing indicated is to prevent buckling of individual truss web and/or chord members only. Additional temporary and permanent bracing is always required for stability and to prevent collapse with possible personal injury and property damage. For general guidance regarding the fabrication, storage, delivery, erection and bracing of trusses and truss systems, see **ANSI/TPI1 Quality Criteria, DSB-89 and BCSI Building Component Safety Information** available from Truss Plate Institute, 2670 Crain Highway, Suite 203 Waldorf, MD 20601

240 Stirling Crescent
Bradford, ON. L3Z 4L5

Job	Truss	Truss Type	Qty	Ply	Buildings A-H
N0653A	A16	GABLE	2	1	U1530834

Alliance Truss (CA), Abbotsford, BC - V2S 7P6,

8.820 s Aug 30 2024 MiTek Industries, Inc. Thu Sep 12 02:47:53 2024 Page 2
 ID:hFyjDMxrTsEK_kgkR0vWWVzF1gc-0Cs2ANv53xBK_kL4KfEzLzF4caXKL9dl8BdN8yeVrK

NOTES-

- 10) * This truss has been designed for a live load of 20.0psf on the bottom chord in all areas where a rectangle 3-6-0 tall by 2-0-0 wide will fit between the bottom chord and any other members, with BCDL = 10.0psf.
- 11) Bearing at joint(s) B considers parallel to grain value using ANSI/TPI 1 angle to grain formula. Building designer should verify capacity of bearing surface.
- 12) Provide mechanical connection (by others) of truss to bearing plate capable of withstanding 100 lb uplift at joint(s) L, N except (jt=lb) B=208, K=185, M=480.
- 13) This truss is designed in accordance with the 2018 International Building Code section 2306.1 and referenced standard ANSI/TPI 1.
- 14) No notches allowed in overhang and 120800 from left end and 0 from right end or 12" along rake from scarf, whichever is larger. Minimum 1.5x4 tie plates required at 2-0-0 o.c. maximum between the stacking chords. For edge-wise notching, provide at least one tie plate between each notch.

PRMU20240282 BLDG E

WARNING - Verify design parameters and READ NOTES ON THIS AND INCLUDED MITEK REFERENCE PAGE MII-7473 rev. 6/30/2020 BEFORE USE.

Design valid for use only with MiTek® connectors. This design is based only upon parameters shown, and is for an individual building component, not a truss system. Before use, the building designer must verify the applicability of design parameters and properly incorporate this design into the overall building design. Bracing indicated is to prevent buckling of individual truss web and/or chord members only. Additional temporary and permanent bracing is always required for stability and to prevent collapse with possible personal injury and property damage. For general guidance regarding the fabrication, storage, delivery, erection and bracing of trusses and truss systems, see

Safety Information available from Truss Plate Institute, 2670 Crain Highway, Suite 203 Waldorf, MD 20601
ANSI/TPI1 Quality Criteria, DSB-89 and BCSI Building Component



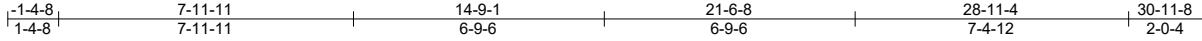
240 Stirling Crescent
 Bradford, ON. L3Z 4L5

Job	Truss	Truss Type	Qty	Ply	Buildings A-H	U1530835
N0653A	A17	Roof Special	11	1		

Alliance Truss (CA), Abbotsford, BC - V2S 7P6,

8.820 s Aug 30 2024 MiTek Industries, Inc. Thu Sep 12 02:47:54 2024 Page 1

ID:hFyjDMxrTsEK_kgkR0vWWWzF1gc-VPQQOjwjqFJBcuwHuNIPVZWOi0wc3rcnWoxAvayeVrJ



PRMU20240282 BLDG E

Scale = 1:62.3

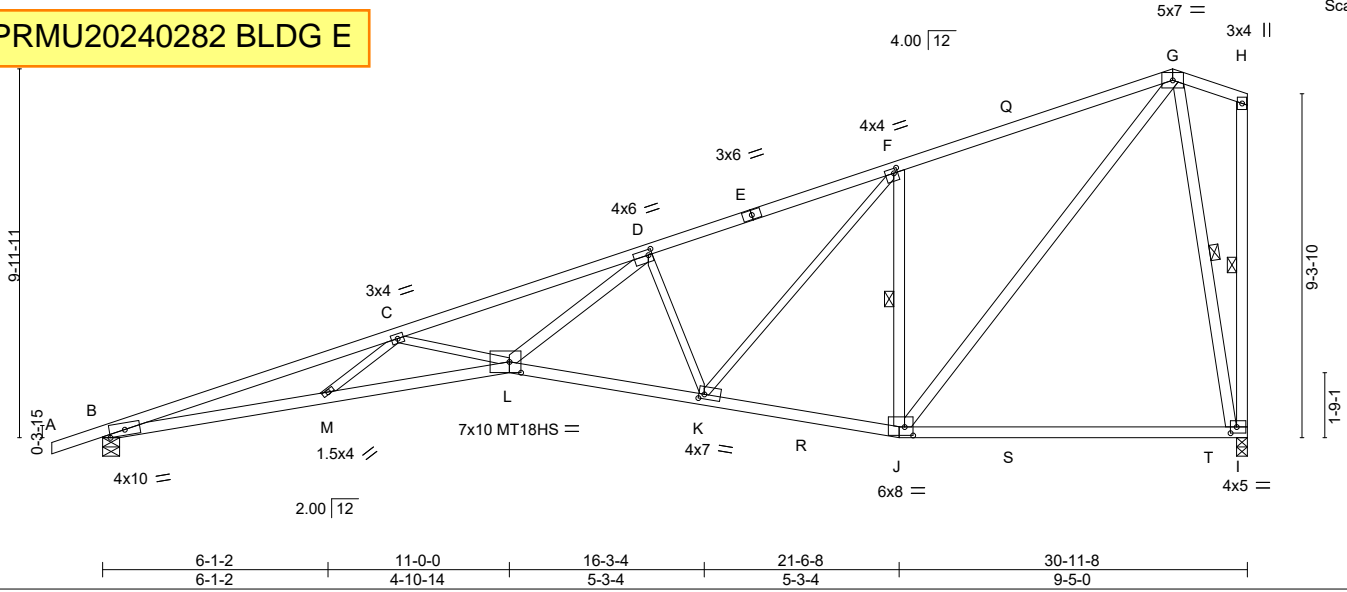


Plate Offsets (X,Y)-- [D:0-1-4,0-1-12], [F:0-1-4,0-1-8], [I:0-2-0,0-2-0], [J:0-2-12,0-2-12], [K:0-1-12,0-1-8], [L:0-3-12,0-3-8]

LOADING (psf)	SPACING-	CSI.	DEFL.	PLATES	GRIP
TCLL 25.0 (Roof Snow=25.0)	2-0-0 Plate Grip DOL 1.15 Lumber DOL 1.15	TC 0.90 BC 0.89 WB 0.76 Matrix-MS	in (loc) l/defl L/d Vert(LL) -0.56 L-M >663 360 Vert(CT) -1.01 L-M >367 240 Horz(CT) 0.37 I n/a n/a Wind(LL) 0.30 L >999 240	MT20 MT18HS	197/144 197/144
TCDL 12.0	Rep Stress Incr YES Code IBC2018/TPI2014			Weight: 137 lb	FT = 20%
BCLL 0.0 *					
BCDL 10.0					

LUMBER-

TOP CHORD 2x4 SPF No.2 *Except*
A-E: 2x4 SPF 2100F 1.8E
BOT CHORD 2x4 SPF 2100F 1.8E *Except*
J-L: 2x4 SPF No.2
WEBS 2x4 SPF No.2 *Except*
C-M,C-L,D-K,F-K: 2x3 SPF No.2

BRACING-

TOP CHORD Structural wood sheathing directly applied, except end verticals.
BOT CHORD Rigid ceiling directly applied or 8-3-12 oc bracing.
WEBS 1 Row at midpt F-J, H-I, G-I

REACTIONS.

(size) B=0-5-8, I=0-3-8
Max Horz B=299(LC 9)
Max Uplift B=-205(LC 6), I=-185(LC 6)
Max Grav B=1602(LC 3), I=1587(LC 3)

FORCES. (lb) - Max. Comp./Max. Ten. - All forces 250 (lb) or less except when shown.

TOP CHORD B-C=-6801/760, C-D=-5845/678, D-F=-2805/358, F-G=-1645/285
BOT CHORD B-M=-831/6480, L-M=-902/6335, K-L=-403/3197, J-K=-151/1514, I-J=-85/288
WEBS C-M=0/291, C-L=-849/228, D-L=-359/3077, D-K=-1547/290, F-K=-231/1755,
F-J=-1525/322, G-J=-287/1963, G-I=-1439/199

NOTES-

- Wind: ASCE 7-16; Vult=115mph (3-second gust) Vasd=91mph; TCDL=4.2psf; BC DL=5.0psf; h=30ft; Ke=1.00; Cat. II; Exp B; Enclosed; MWFRS (envelope) gable end zone; cantilever left and right exposed; end vertical left and right exposed; Lumber DOL=1.33 plate grip DOL=1.33
- TCLL: ASCE 7-16; Pf=25.0 psf (Lum DOL = 1.15 Plate DOL = 1.15); Is=1.0; Rough Cat B; Partially Exp.; Ce=1.0; Cs=1.00; Ct=1.10
- Unbalanced snow loads have been considered for this design.
- This truss has been designed for greater of min roof live load of 20.0 psf or 2.00 times flat roof load of 25.0 psf on overhangs non-concurrent with other live loads.
- All plates are MT20 plates unless otherwise indicated.
- This truss has been designed for a 10.0 psf bottom chord live load nonconcurrent with any other live loads.
- * This truss has been designed for a live load of 20.0psf on the bottom chord in all areas where a rectangle 3-6-0 tall by 2-0-0 wide will fit between the bottom chord and any other members, with BC DL = 10.0psf.
- Bearing at joint(s) B considers parallel to grain value using ANSI/TPI 1 angle to grain formula. Building designer should verify capacity of bearing surface.
- Provide mechanical connection (by others) of truss to bearing plate capable of withstanding 100 lb uplift at joint(s) except (jt=lb) B=205, I=185.
- This truss is designed in accordance with the 2018 International Building Code section 2306.1 and referenced standard ANSI/TPI 1.



September 12, 2024

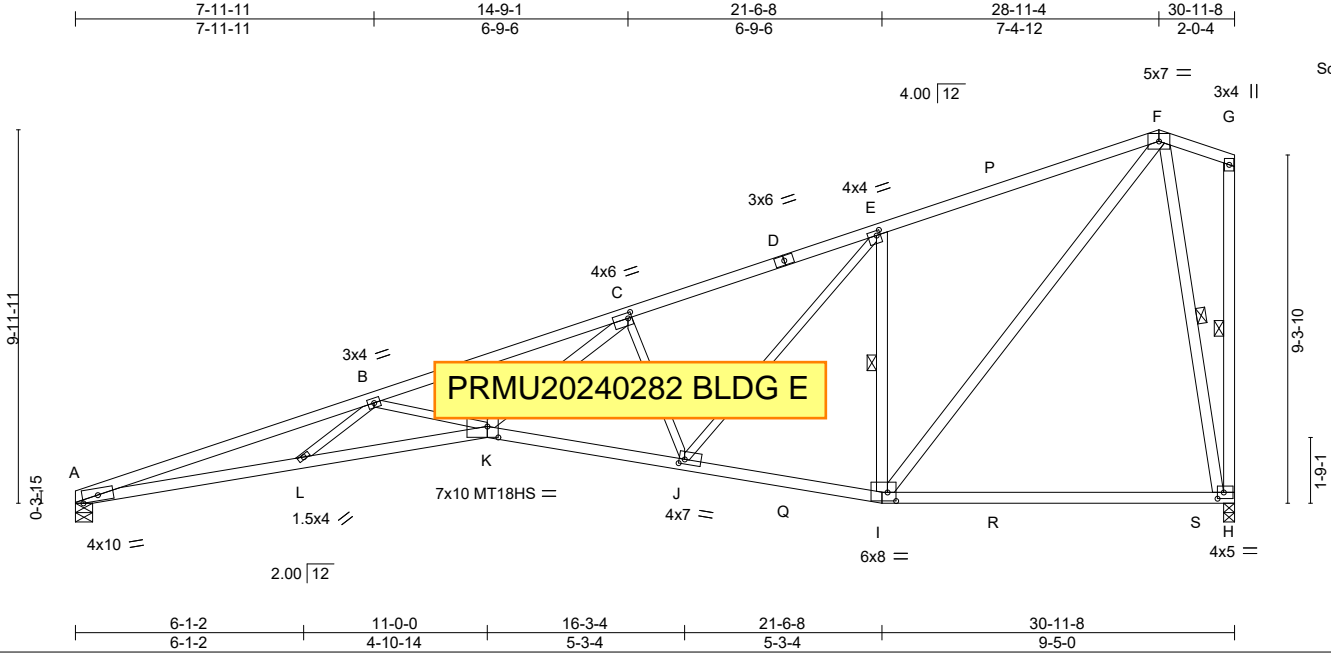
WARNING - Verify design parameters and READ NOTES ON THIS AND INCLUDED MITEK REFERENCE PAGE MII-7473 rev. 6/30/2020 BEFORE USE.
Design valid for use only with MiTek® connectors. This design is based only upon parameters shown, and is for an individual building component, not a truss system. Before use, the building designer must verify the applicability of design parameters and properly incorporate this design into the overall building design. Bracing indicated is to prevent buckling of individual truss web and/or chord members only. Additional temporary and permanent bracing is always required for stability and to prevent collapse with possible personal injury and property damage. For general guidance regarding the fabrication, storage, delivery, erection and bracing of trusses and truss systems, see **ANSI/TPI1 Quality Criteria, DSB-89 and BCSI Building Component Safety Information** available from Truss Plate Institute, 2670 Crain Highway, Suite 203 Waldorf, MD 20601



Job	Truss	Truss Type	Qty	Ply	Buildings A-H	U1530836
N0653A	A18	ROOF SPECIAL	1	1		

Alliance Truss (CA), Abbotsford, BC - V2S 7P6, 8.820 s Aug 30 2024 MiTek Industries, Inc. Thu Sep 12 02:47:55 2024 Page 1

ID:hFyjDMxrTsEK_kgkR0vWWVzFlgc-zb_ob3xLaYR2E2VTS4He2m3ZIPFpolowSgjr1yeVrl



PRMU20240282 BLDG E

Plate Offsets (X,Y)--	[C:0-1-4,0-1-12], [E:0-1-4,0-1-8], [H:0-2-0,0-2-0], [I:0-2-12,0-2-12], [J:0-1-12,0-1-8], [K:0-3-8,0-3-8]
-----------------------	--

LOADING (psf)	SPACING-	CSI.	DEFL.	in (loc)	l/defl	L/d	PLATES	GRIP
TCLL 25.0 (Roof Snow=25.0)	2-0-0 Plate Grip DOL 1.15	TC 0.95	Vert(LL) -0.56	K-L	>663	360	MT20	197/144
TCDL 12.0	Lumber DOL 1.15	BC 0.90	Vert(CT) -1.01	K-L	>366	240	MT18HS	197/144
BCLL 0.0 *	Rep Stress Incr YES	WB 0.76	Horz(CT) 0.37	H	n/a	n/a		
BCDL 10.0	Code IBC2018/TPI2014	Matrix-MS	Wind(LL) 0.31	K	>999	240		
							Weight: 135 lb	FT = 20%

LUMBER-	BRACING-
TOP CHORD 2x4 SPF No.2 *Except* A-D: 2x4 SPF 2100F 1.8E	TOP CHORD Structural wood sheathing directly applied, except end verticals.
BOT CHORD 2x4 SPF 2100F 1.8E *Except* I-K: 2x4 SPF No.2	BOT CHORD Rigid ceiling directly applied or 8-3-2 oc bracing.
WEBS 2x4 SPF No.2 *Except* B-L,B-K,C-J,E-J: 2x3 SPF No.2	WEBS 1 Row at midpt E-I, G-H, F-H

REACTIONS. (size) A=0-5-8, H=0-3-8
 Max Horz A=292(LC 9)
 Max Uplift A=-160(LC 6), H=-186(LC 6)
 Max Grav A=1515(LC 3), H=1589(LC 3)

FORCES. (lb) - Max. Comp./Max. Ten. - All forces 250 (lb) or less except when shown.
 TOP CHORD A-B=-6852/778, B-C=-5866/686, C-E=-2810/361, E-F=-1647/287
 BOT CHORD A-L=-847/6531, K-L=-913/6372, J-K=-405/3204, I-J=-152/1517, H-I=-85/288
 WEBS B-L=0/297, B-K=-870/233, C-K=-365/3093, C-J=-1553/292, E-J=-232/1760,
 E-I=-1528/323, F-I=-288/1966, F-H=-1441/199

- NOTES-**
- 1) Wind: ASCE 7-16; Vult=115mph (3-second gust) Vasd=91mph; TCDL=4.2psf; BCCL=5.0psf; h=30ft; Ke=1.00; Cat. II; Exp B; Enclosed; MWFRS (envelope) gable end zone; cantilever left and right exposed; end vertical left and right exposed; Lumber DOL=1.33 plate grip DOL=1.33
 - 2) TCLL: ASCE 7-16; Pf=25.0 psf (Lum DOL = 1.15 Plate DOL = 1.15); Is=1.0; Rough Cat B; Partially Exp.; Ce=1.0; Cs=1.00; Ct=1.10
 - 3) Unbalanced snow loads have been considered for this design.
 - 4) All plates are MT20 plates unless otherwise indicated.
 - 5) This truss has been designed for a 10.0 psf bottom chord live load nonconcurrent with any other live loads.
 - 6) * This truss has been designed for a live load of 20.0psf on the bottom chord in all areas where a rectangle 3-6-0 tall by 2-0-0 wide will fit between the bottom chord and any other members, with BCCL = 10.0psf.
 - 7) Bearing at joint(s) A considers parallel to grain value using ANSI/TPI 1 angle to grain formula. Building designer should verify capacity of bearing surface.
 - 8) Provide mechanical connection (by others) of truss to bearing plate capable of withstanding 100 lb uplift at joint(s) except (jt=lb) A=160, H=186.
 - 9) This truss is designed in accordance with the 2018 International Building Code section 2306.1 and referenced standard ANSI/TPI 1.



September 12, 2024

Job	Truss	Truss Type	Qty	Ply	Buildings A-H	U1530837
N0653A	A19	GABLE	1	1		

Alliance Truss (CA),

Abbotsford, BC - V2S 7P6,

8.820 s Aug 30 2024 MiTek Industries, Inc. Thu Sep 12 02:47:56 2024 Page 1

ID:hFyjDMxrTsEK_kgkR0vWWVzFlgc-RnXApPxzLsZvrB4f0notb_bnYpdmXio4_6QH_TyeVrH



Scale = 1:74.5

PRMU20240282 BLDG E

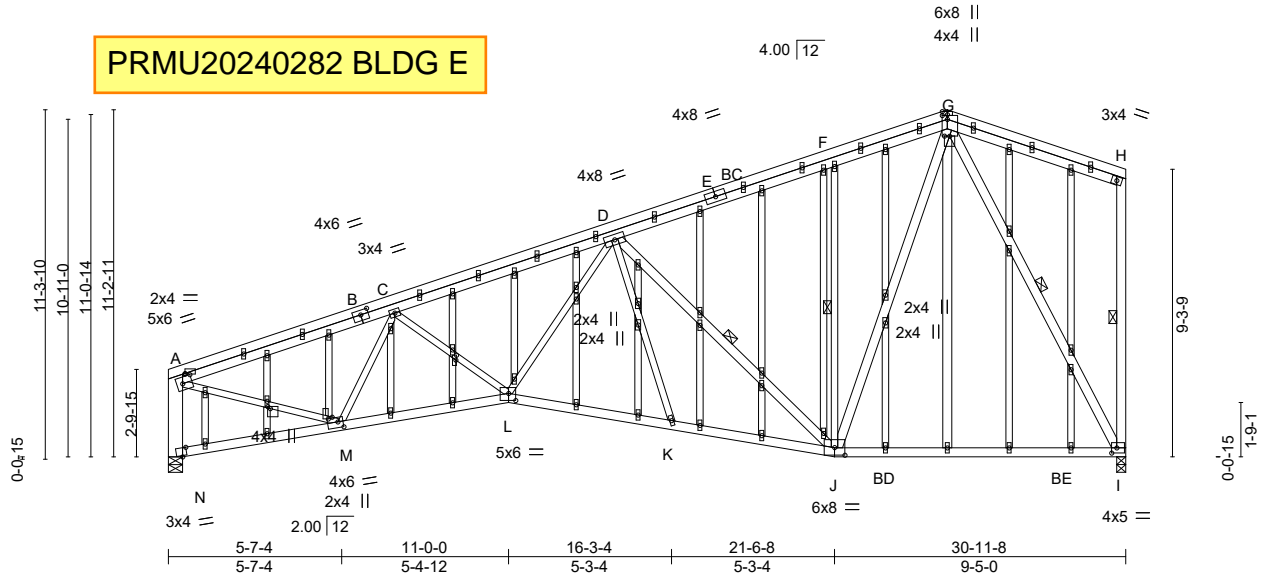


Plate Offsets (X,Y)-- [A:0-3-12,0-2-8], [A:0-0-0,0-0-4], [B:0-3-0,0-1-12], [G:0-2-0,Edge], [G:0-1-8,0-2-0], [G:0-0-1,0-2-0], [I:0-2-0,0-2-0], [J:0-4-0,0-2-15], [L:0-2-12,0-2-12], [M:0-2-0,0-2-4], [M:0-0-11,0-1-8], [N:0-1-13,Edge], [AJ:0-1-14,0-0-4], [AP:0-0-13,0-1-0]

LOADING (psf)	SPACING-	CSI.	DEFL.	in (loc)	l/defl	L/d	PLATES	GRIP
TCLL 25.0	2-0-0	TC 0.75	Vert(LL)	-0.44	I-J	>829	MT20	197/144
(Roof Snow=25.0)	Plate Grip DOL 1.15	BC 0.79	Vert(CT)	-0.70	I-J	>521		
TCDL 12.0	Lumber DOL 1.15	WB 0.90	Horz(CT)	0.13	I	n/a		
BCLL 0.0 *	Rep Stress Incr YES	Matrix-MS	Wind(LL)	0.08	L	>999		
BCDL 10.0	Code IBC2018/TPI2014						Weight: 264 lb	FT = 20%

LUMBER-

TOP CHORD 2x4 SPF No.2
 BOT CHORD 2x4 SPF No.2 *Except*
 I-J: 2x4 SPF 2100F 1.8E
 WEBS 2x3 SPF No.2 *Except*
 D-J,G-J,H-I,G-I: 2x4 SPF No.2, A-N: 2x6 SPF No.2
 OTHERS 2x3 SPF No.2 *Except*
 G-O: 2x4 SPF No.2

BRACING-

TOP CHORD Structural wood sheathing directly applied or 2-2-0 oc purlins, except end verticals.
 BOT CHORD Rigid ceiling directly applied or 9-11-12 oc bracing.
 WEBS 1 Row at midpt D-J, F-J, H-I, G-I

REACTIONS.

(size) I=0-3-8, N=0-5-8
 Max Horz N=259(LC 7)
 Max Uplift I=-151(LC 6), N=-156(LC 6)
 Max Grav I=1547(LC 2), N=1523(LC 3)

FORCES. (lb) - Max. Comp./Max. Ten. - All forces 250 (lb) or less except when shown.

TOP CHORD A-C=-2234/231, C-D=-2811/333, D-F=-1293/187, F-G=-1280/243, A-N=-1448/190, H-I=-307/71
 BOT CHORD M-N=-254/101, L-M=-347/2486, K-L=-237/2128, J-K=-219/2182, I-J=-115/668
 WEBS C-M=-940/175, D-L=-103/959, D-J=-1377/202, F-J=-594/151, G-J=-197/1491, A-M=-189/2083, G-I=-1384/147

NOTES-

- Wind: ASCE 7-16; Vult=115mph (3-second gust) Vasd=91mph; TCDL=4.2psf; BCDL=5.0psf; h=30ft; Ke=1.00; Cat. II; Exp B; Enclosed; MWFRS (envelope) gable end zone; cantilever left and right exposed; end vertical left and right exposed; Lumber DOL=1.33 plate grip DOL=1.33
- Truss designed for wind loads in the plane of the truss only. For studs exposed to wind (normal to the face), see Standard Industry Gable End Details as applicable, or consult qualified building designer as per ANSI/TPI 1.
- TCLL: ASCE 7-16; Pf=25.0 psf (Lum DOL = 1.15 Plate DOL = 1.15); Is=1.0; Rough Cat B; Partially Exp.; Ce=1.0; Cs=1.00; Ct=1.10
- Unbalanced snow loads have been considered for this design.
- All plates are 1.5x4 MT20 unless otherwise indicated.
- Gable studs spaced at 2-0-0 oc.
- This truss has been designed for a 10.0 psf bottom chord live load nonconcurrent with any other live loads.
- * This truss has been designed for a live load of 20.0psf on the bottom chord in all areas where a rectangle 3-6-0 tall by 2-0-0 wide will fit between the bottom chord and any other members, with BCDL = 10.0psf.
- Bearing at joint(s) N considers parallel to grain value using ANSI/TPI 1 angle to grain formula. Building designer should verify capacity of bearing surface.
- Provide mechanical connection (by others) of truss to bearing plate capable of withstanding 100 lb uplift at joint(s) except (jt=lb) I=151, N=156.
- This truss is designed in accordance with the 2018 International Building Code section 2306.1 and referenced standard ANSI/TPI 1.



September 12, 2024

Continued on page 2

WARNING - Verify design parameters and READ NOTES ON THIS AND INCLUDED MITEK REFERENCE PAGE MII-7473 rev. 6/30/2020 BEFORE USE.

Design valid for use only with MiTek® connectors. This design is based only upon parameters shown, and is for an individual building component, not a truss system. Before use, the building designer must verify the applicability of design parameters and properly incorporate this design into the overall building design. Bracing indicated is to prevent buckling of individual truss web and/or chord members only. Additional temporary and permanent bracing is always required for stability and to prevent collapse with possible personal injury and property damage. For general guidance regarding the fabrication, storage, delivery, erection and bracing of trusses and truss systems, see

ANSI/TPI1 Quality Criteria, DSB-89 and BCSI Building Component Safety Information available from Truss Plate Institute, 2670 Crain Highway, Suite 203 Waldorf, MD 20601



240 Stirling Crescent
 Bradford, ON. L3Z 4L5

Job	Truss	Truss Type	Qty	Ply	Buildings A-H	U1530837
N0653A	A19	GABLE	1	1	Job Reference (optional)	

Alliance Truss (CA), Abbotsford, BC - V2S 7P6,

8.820 s Aug 30 2024 MiTek Industries, Inc. Thu Sep 12 02:47:56 2024 Page 2
 ID:hFyjDMxrTsEK_kgkR0vWWVzFigc-RnXApPzLsZvrB4f0notb_bnYpdmXio4_6QH_TyeVrH

- NOTES-**
- 12) No notches allowed in overhang and 0 from left end and 0 from right end or 12" along rake from scarf, whichever is larger. Minimum 1.5x4 tie plates required at 2-0-0 o.c. maximum between the stacking chords. For edge-wise notching, provide at least one tie plate between each notch.

PRMU20240282 BLDG E

WARNING - Verify design parameters and READ NOTES ON THIS AND INCLUDED MITEK REFERENCE PAGE MII-7473 rev. 6/30/2020 BEFORE USE.
 Design valid for use only with MiTek® connectors. This design is based only upon parameters shown, and is for an individual building component, not a truss system. Before use, the building designer must verify the applicability of design parameters and properly incorporate this design into the overall building design. Bracing indicated is to prevent buckling of individual truss web and/or chord members only. Additional temporary and permanent bracing is always required for stability and to prevent collapse with possible personal injury and property damage. For general guidance regarding the fabrication, storage, delivery, erection and bracing of trusses and truss systems, see **ANSI/TPI1 Quality Criteria, DSB-89 and BCSI Building Component Safety Information** available from Truss Plate Institute, 2670 Crain Highway, Suite 203 Waldorf, MD 20601



Job N0653A	Truss B1	Truss Type GABLE	Qty 7	Ply 1	Buildings A-H Job Reference (optional)	U1530774
---------------	-------------	---------------------	----------	----------	---	----------

Alliance Truss (CA), Abbotsford, BC - V2S 7P6, 8.630 s Jul 12 2024 MiTek Industries, Inc. Thu Sep 12 02:47:24 2024 Page 1

ID:hFyjDMxrTsEK_kgkR0vWWVzFfgc-RfC?PsB70Hq3NSgPqnL8w3ulTXbGKWrCDoi7J4zJC?f



PRMU20240282 BLDG E

4.00 | 12 3x4 = Scale = 1:53.4

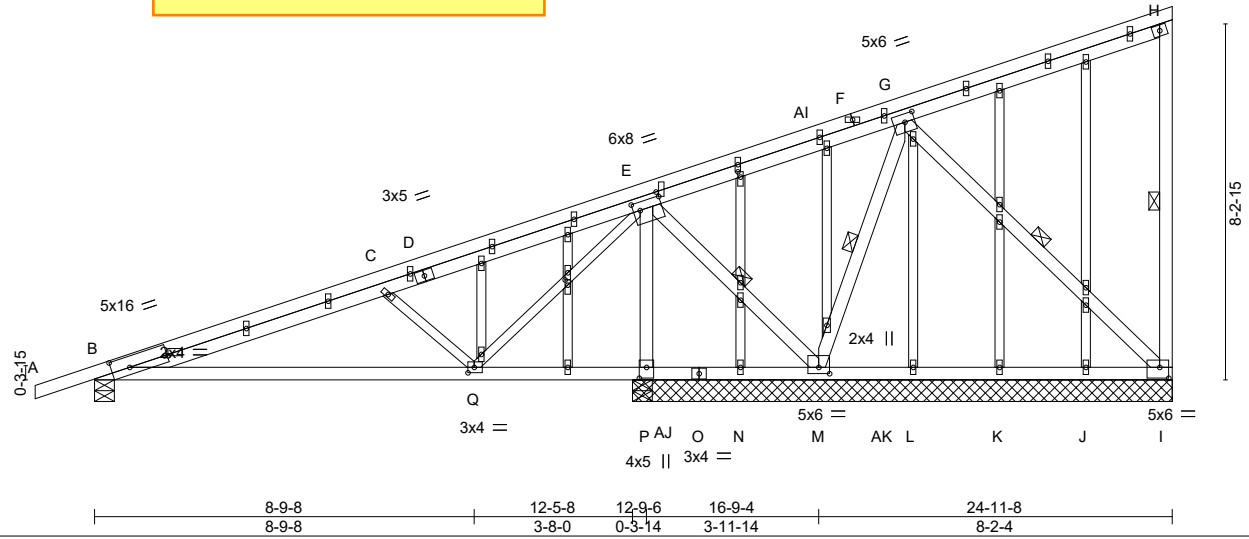


Plate Offsets (X,Y)--	[B:0-5-1,0-3-0], [E:0-1-14,0-2-4], [E:0-1-4,0-0-12], [G:0-2-12,0-2-4], [I:0-2-8,0-3-0], [M:0-3-0,0-1-12], [P:0-3-0,0-2-0], [Q:0-1-12,0-1-8], [Y:0-1-7,0-0-12], [AA:0-1-7,0-0-12], [AG:0-1-0,0-0-0]
-----------------------	--

LOADING (psf)	SPACING-	CSI.	DEFL.	in (loc)	l/defl	L/d	PLATES	GRIP
TCLL 25.0 (Roof Snow=25.0)	2-0-0	TC 0.72	Vert(LL)	-0.17	Q-AH	>877	MT20	197/144
TCDL 12.0	Lumber DOL 1.15	BC 0.73	Vert(CT)	-0.32	Q-AH	>466		
BCLL 0.0 *	Rep Stress Incr YES	WB 0.91	Horz(CT)	-0.05	J	n/a		
BCDL 10.0	Code IBC2018/TPI2014	Matrix-MS	Wind(LL)	0.10	Q-AH	>999		
							Weight: 158 lb	FT = 20%

LUMBER-	BRACING-
TOP CHORD 2x4 SPF No.2	TOP CHORD Structural wood sheathing directly applied or 3-5-15 oc purlins, except end verticals.
BOT CHORD 2x4 SPF No.2	BOT CHORD Rigid ceiling directly applied or 3-7-12 oc bracing.
WEBS 2x4 SPF No.2 *Except*	WEBS 1 Row at midpt H-I, E-M, G-M, G-I
C-Q,E-Q: 2x3 SPF No.2	
OTHERS 2x3 SPF No.2	

REACTIONS. All bearings 12-6-0 except (jt=length) B=0-5-8.
 (lb) - Max Horz B=618(LC 35)
 Max Uplift All uplift 100 lb or less at joint(s) J, K, L, N except I=1485(LC 35), B=-750(LC 32), P=-2877(LC 32)
 Max Grav All reactions 250 lb or less at joint(s) J, K, L, N except I=1484(LC 52), B=1165(LC 27), P=3277(LC 29), P=1257(LC 1)

FORCES. (lb) - Max. Comp./Max. Ten. - All forces 250 (lb) or less except when shown.
 TOP CHORD B-C=-2245/1859, C-E=-1537/1247, E-G=-1020/906, G-H=-1678/1585, H-I=-290/53
 BOT CHORD B-Q=-1911/2105, P-Q=-2060/1926, N-P=-1835/1714, M-N=-816/671, L-M=-2542/2482, K-L=-1494/1434, J-K=-629/582, I-J=-1517/1457
 WEBS C-Q=-573/193, E-Q=-164/965, E-M=-2921/3050, G-M=-2273/2225, G-I=-2018/2061, E-P=-3216/2858

- NOTES-**
- 1) Wind: ASCE 7-16; Vult=115mph (3-second gust) Vasd=91mph; TCDL=4.2psf; BCDL=5.0psf; h=30ft; Ke=1.00; Cat. II; Exp B; Enclosed; MWFRS (envelope) gable end zone; cantilever left and right exposed; end vertical left and right exposed; Lumber DOL=1.33 plate grip DOL=1.33
 - 2) Truss designed for wind loads in the plane of the truss only. For studs exposed to wind (normal to the face), see Standard Industry Gable End Details as applicable, or consult qualified building designer as per ANSI/TPI 1.
 - 3) TCLL: ASCE 7-16; Pf=25.0 psf (Lum DOL=1.15 Plate DOL=1.15); Is=1.0; Rough Cat B; Partially Exp.; Ce=1.0; Cs=1.00; Ct=1.10
 - 4) Unbalanced snow loads have been considered for this design.
 - 5) This truss has been designed for greater of min roof live load of 20.0 psf or 2.00 times flat roof load of 25.0 psf on overhangs non-concurrent with other live loads.
 - 6) All plates are 1.5x4 MT20 unless otherwise indicated.
 - 7) Gable studs spaced at 2-0-0 oc.
 - 8) This truss has been designed for a 10.0 psf bottom chord live load nonconcurrent with any other live loads.
 - 9) * This truss has been designed for a live load of 20.0psf on the bottom chord in all areas where a rectangle 3-6-0 tall by 2-0-0 wide will fit between the bottom chord and any other members, with BCDL = 10.0psf.
 - 10) Provide mechanical connection (by others) of truss to bearing plate capable of withstanding 100 lb uplift at joint(s) J, K, L, N except (jt=lb) I=1485, B=750, P=2877.
 - 11) This truss is designed in accordance with the 2018 International Building Code section 2306.1 and referenced standard ANSI/TPI 1.



September 12, 2024

Job	Truss	Truss Type	Qty	Ply	Buildings A-H	U1530774
N0653A	B1	GABLE	7	1	Job Reference (optional)	

Alliance Truss (CA), Abbotsford, BC - V2S 7P6,

8.630 s Jul 12 2024 MiTek Industries, Inc. Thu Sep 12 02:47:24 2024 Page 2
 ID:hFyjDMxrTsEK_kgkR0vWWVzFgc-RfC?PsB70Hq3NSgPqnL8w3ulTXbGKWrCDoi7J4zJC?f

NOTES-

- 12) This truss has been designed for a total drag load of 240 plf. Lumber DOL=(1.33) Plate grip DOL=(1.33) Connect truss to resist drag loads along bottom chord from 12-5-8 to 24-11-8 for 479.2 plf.
- 13) No notches allowed in overhang and 10408 from left end and 0 from right end or 12" along rake from scarf, whichever is larger. Minimum 1.5x4 tie plates required at For edge-wise notching, provide at least one tie plate between each notch.

PRMU20240282 BLDG E

Job N0653A	Truss B2	Truss Type Monopitch	Qty 28	Ply 1	Buildings A-H	U1530838
---------------	-------------	-------------------------	-----------	----------	---------------	----------

Alliance Truss (CA), Abbotsford, BC - V2S 7P6,

8.820 s Aug 30 2024 MiTek Industries, Inc. Thu Sep 12 02:48:03 2024 Page 1

ID:hFyjDMxrTsEK_kgkR0vWWVzFlgc-k7TqHo1Mi0SvBG6?wmQWNSO?me?Vgw56bic9jZyeVrA



4.00 | 12

Scale = 1:51.7

PRMU20240282 BLDG E

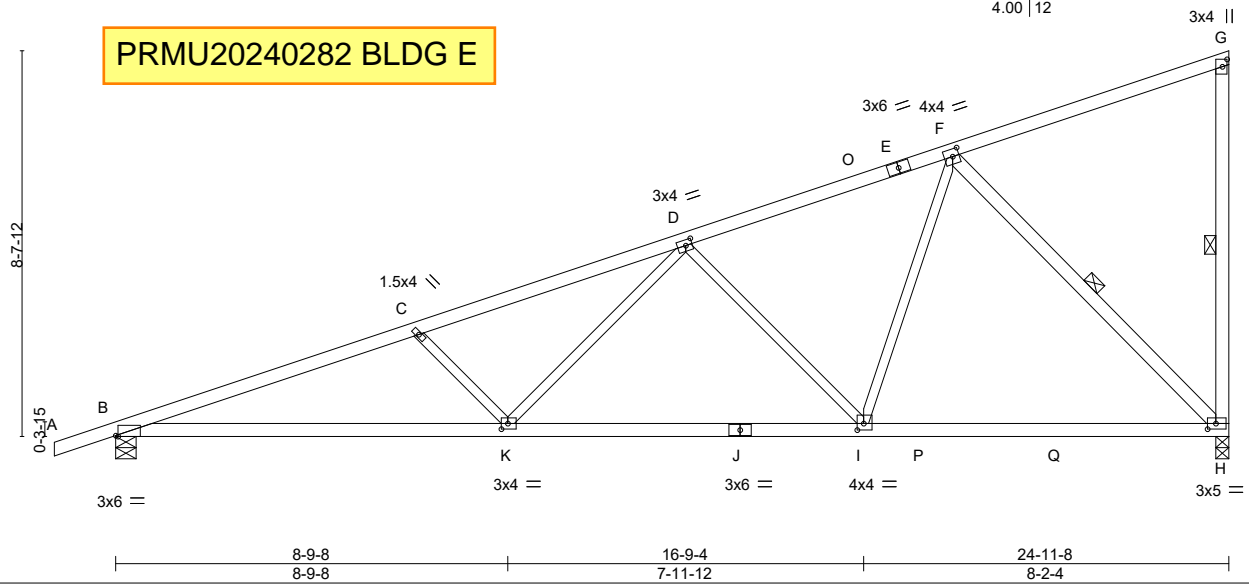


Plate Offsets (X,Y)-- [B:0-0-10,Edge], [D:0-1-12,0-1-8], [F:0-1-12,0-2-0], [G:0-2-0,0-1-4], [H:0-2-4,0-1-8], [I:0-1-12,0-1-12], [K:0-1-12,0-1-8]

LOADING (psf)	SPACING-	CSI.	DEFL.	in (loc)	l/defl	L/d	PLATES	GRIP
TCLL 25.0 (Roof Snow=25.0)	2-0-0 Plate Grip DOL 1.15	TC 0.69	Vert(LL) -0.20	K-N	>999	360	MT20	197/144
TCDL 12.0	Lumber DOL 1.15	BC 0.84	Vert(CT) -0.39	K-N	>769	240		
BCLL 0.0 *	Rep Stress Incr YES	WB 0.74	Horz(CT) 0.06	H	n/a	n/a		
BCDL 10.0	Code IBC2018/TPI2014	Matrix-MS	Wind(LL) 0.09	K-N	>999	240	Weight: 96 lb	FT = 20%

LUMBER-

TOP CHORD 2x4 SPF No.2
 BOT CHORD 2x4 SPF No.2 *Except*
 B-J: 2x4 SPF 2100F 1.8E
 WEBS 2x3 SPF No.2 *Except*
 G-H,F-H: 2x4 SPF No.2

BRACING-

TOP CHORD Structural wood sheathing directly applied or 2-7-4 oc purlins, except end verticals.
 BOT CHORD Rigid ceiling directly applied or 10-0-0 oc bracing.
 WEBS 1 Row at midpt G-H, F-H

REACTIONS.

(size) H=0-3-8, B=0-5-8
 Max Horz B=281(LC 9)
 Max Uplift H=-167(LC 10), B=-172(LC 6)
 Max Grav H=1419(LC 3), B=1331(LC 3)

FORCES. (lb) - Max. Comp./Max. Ten. - All forces 250 (lb) or less except when shown.

TOP CHORD B-C=-2955/311, C-D=-2666/260, D-F=-1455/158, G-H=-283/51
 BOT CHORD B-K=-378/2775, I-K=-232/1883, H-I=-103/1036
 WEBS C-K=-516/161, D-K=-53/861, D-I=-849/185, F-I=-56/980, F-H=-1470/216

NOTES-

- 1) Wind: ASCE 7-16; Vult=115mph (3-second gust) Vasd=91mph; TCDL=4.2psf; BCDL=5.0psf; h=30ft; Ke=1.00; Cat. II; Exp B; Enclosed; MWFRS (envelope) gable end zone; cantilever left and right exposed ; end vertical left and right exposed; Lumber DOL=1.33 plate grip DOL=1.33
- 2) TCLL: ASCE 7-16; Pf=25.0 psf (Lum DOL = 1.15 Plate DOL = 1.15); Is=1.0; Rough Cat B; Partially Exp.; Ce=1.0; Cs=1.00; Ct=1.10
- 3) Unbalanced snow loads have been considered for this design.
- 4) This truss has been designed for greater of min roof live load of 20.0 psf or 2.00 times flat roof load of 25.0 psf on overhangs non-concurrent with other live loads.
- 5) This truss has been designed for a 10.0 psf bottom chord live load nonconcurrent with any other live loads.
- 6) * This truss has been designed for a live load of 20.0psf on the bottom chord in all areas where a rectangle 3-6-0 tall by 2-0-0 wide will fit between the bottom chord and any other members, with BCDL = 10.0psf.
- 7) Provide mechanical connection (by others) of truss to bearing plate capable of withstanding 167 lb uplift at joint H and 172 lb uplift at joint B.
- 8) This truss is designed in accordance with the 2018 International Building Code section 2306.1 and referenced standard ANSI/TPI 1.



September 12, 2024

WARNING - Verify design parameters and READ NOTES ON THIS AND INCLUDED MITEK REFERENCE PAGE MII-7473 rev. 6/30/2020 BEFORE USE.

Design valid for use only with MiTek® connectors. This design is based only upon parameters shown, and is for an individual building component, not a truss system. Before use, the building designer must verify the applicability of design parameters and properly incorporate this design into the overall building design. Bracing indicated is to prevent buckling of individual truss web and/or chord members only. Additional temporary and permanent bracing is always required for stability and to prevent collapse with possible personal injury and property damage. For general guidance regarding the fabrication, storage, delivery, erection and bracing of trusses and truss systems, see

Safety Information available from Truss Plate Institute, 2670 Crain Highway, Suite 203 Waldorf, MD 20601

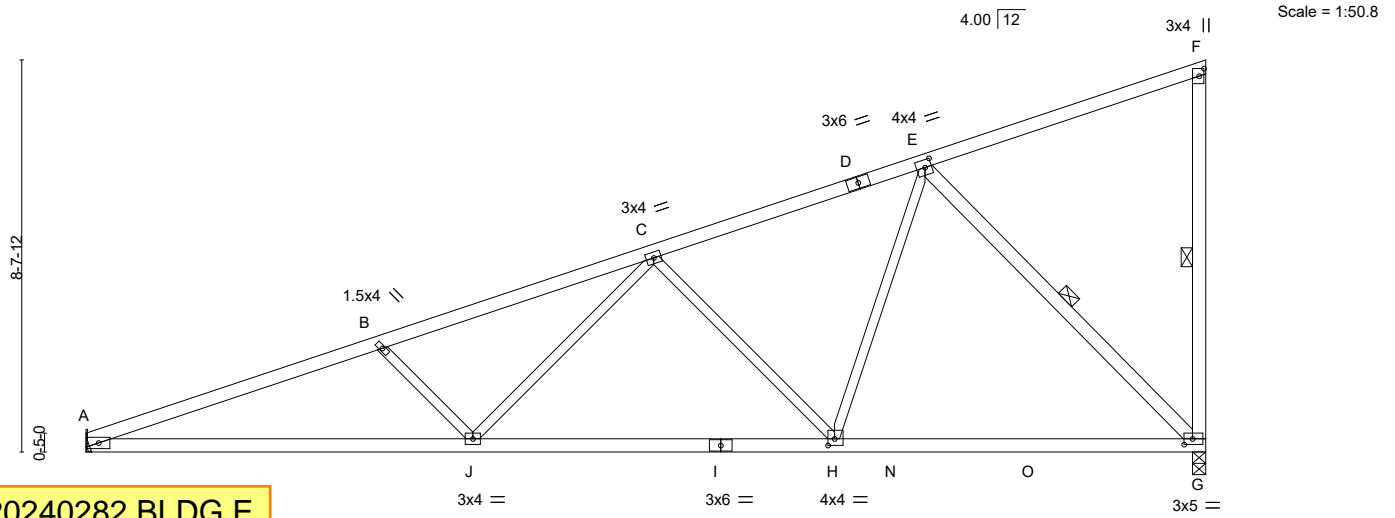
ANSI/TPI1 Quality Criteria, DSB-89 and BCSI Building Component



240 Stirling Crescent
 Bradford, ON. L3Z 4L5

Job	Truss	Truss Type	Qty	Ply	Buildings A-H	U1530839
N0653A	B3	Roof Special	49	1		

Alliance Truss (CA), Abbotsford, BC - V2S 7P6, 8.820 s Aug 30 2024 MiTek Industries, Inc. Thu Sep 12 02:48:04 2024 Page 1
 ID:hFyjDMxrTsEK_kgkR0vWWVzFjgc-CK0CU82_TJampQhCUTxlvgwAI2JuPNeFqMMiG?yeVr9
 6-6-7 12-6-4 18-6-1 24-8-6
 6-6-7 5-11-13 5-11-13 6-2-5



PRMU20240282 BLDG E

Plate Offsets (X,Y)--	[E:0-1-12,0-2-0], [F:0-2-0,0-1-4], [G:0-2-4,0-1-8], [H:0-1-12,0-1-12]
-----------------------	---

LOADING (psf)	SPACING-	CSI.	DEFL.	PLATES	GRIP
TCLL 25.0 (Roof Snow=25.0)	2-0-0 Plate Grip DOL 1.15 Lumber DOL 1.15	TC 0.67 BC 0.96 WB 0.72	in (loc) l/defl L/d Vert(LL) -0.20 G-H >999 360 Vert(CT) -0.34 G-H >873 240 Horz(CT) 0.07 G n/a n/a Wind(LL) 0.07 J-M >999 240	MT20	197/144
TCDL 12.0	Rep Stress Incr YES Code IBC2018/TPI2014	Matrix-MS		Weight: 93 lb	FT = 20%
BCLL 0.0 *					
BCDL 10.0					

LUMBER-	BRACING-
TOP CHORD 2x4 SPF No.2	TOP CHORD Structural wood sheathing directly applied or 2-11-5 oc purlins, except end verticals.
BOT CHORD 2x4 SPF No.2	BOT CHORD Rigid ceiling directly applied or 2-2-0 oc bracing.
WEBS 2x3 SPF No.2 *Except* F-G,E-G: 2x4 SPF No.2	WEBS 1 Row at midpt F-G, E-G

REACTIONS. (size) G=0-3-8, A=Mechanical
 Max Horz A=272(LC 9)
 Max Uplift G=-167(LC 10), A=-125(LC 6)
 Max Grav G=1390(LC 3), A=1225(LC 3)


FORCES. (lb) - Max. Comp./Max. Ten. - All forces 250 (lb) or less except when shown.
 TOP CHORD A-B=-2853/311, B-C=-2565/261, C-E=-1422/157, F-G=-281/51
 BOT CHORD A-J=-373/2660, H-J=-231/1832, G-H=-104/1009
 WEBS B-J=-488/159, C-J=-50/798, C-H=-827/184, E-H=-56/967, E-G=-1429/215

- NOTES-**
- 1) Wind: ASCE 7-16; Vult=115mph (3-second gust) Vasd=91mph; TCDL=4.2psf; BCDL=5.0psf; h=30ft; Ke=1.00; Cat. II; Exp B; Enclosed; MWFRS (envelope) gable end zone; cantilever left and right exposed; end vertical left and right exposed; Lumber DOL=1.33 plate grip DOL=1.33
 - 2) TCLL: ASCE 7-16; Pf=25.0 psf (Lum DOL = 1.15 Plate DOL = 1.15); Is=1.0; Rough Cat B; Partially Exp.; Ce=1.0; Cs=1.00; Ct=1.10
 - 3) Unbalanced snow loads have been considered for this design.
 - 4) This truss has been designed for a 10.0 psf bottom chord live load nonconcurrent with any other live loads.
 - 5) * This truss has been designed for a live load of 20.0psf on the bottom chord in all areas where a rectangle 3-6-0 tall by 2-0-0 wide will fit between the bottom chord and any other members, with BCDL = 10.0psf.
 - 6) Refer to girder(s) for truss to truss connections.
 - 7) Provide mechanical connection (by others) of truss to bearing plate capable of withstanding 167 lb uplift at joint G and 125 lb uplift at joint A.
 - 8) This truss is designed in accordance with the 2018 International Building Code section 2306.1 and referenced standard ANSI/TPI 1.



September 12, 2024

WARNING - Verify design parameters and READ NOTES ON THIS AND INCLUDED MITEK REFERENCE PAGE MII-7473 rev. 6/30/2020 BEFORE USE.
 Design valid for use only with MiTek® connectors. This design is based only upon parameters shown, and is for an individual building component, not a truss system. Before use, the building designer must verify the applicability of design parameters and properly incorporate this design into the overall building design. Bracing indicated is to prevent buckling of individual truss web and/or chord members only. Additional temporary and permanent bracing is always required for stability and to prevent collapse with possible personal injury and property damage. For general guidance regarding the fabrication, storage, delivery, erection and bracing of trusses and truss systems, see **ANSI/TPI1 Quality Criteria, DSB-89 and BCSI Building Component Safety Information** available from Truss Plate Institute, 2670 Crain Highway, Suite 203 Waldorf, MD 20601



240 Stirling Crescent
Bradford, ON. L3Z 4L5

Job	Truss	Truss Type	Qty	Ply	Buildings A-H	U1530840
N0653A	B3A	ROOF SPECIAL	42	1		

Alliance Truss (CA), Abbotsford, BC - V2S 7P6, 8.820 s Aug 30 2024 MiTek Industries, Inc. Thu Sep 12 02:48:04 2024 Page 1

ID:hFyjDMxrTsEK_kgkR0vWVWzFigc-CK0CU82_TJampQhCUTxlvgw8U2KLPKBFqMMiG?yeVr9

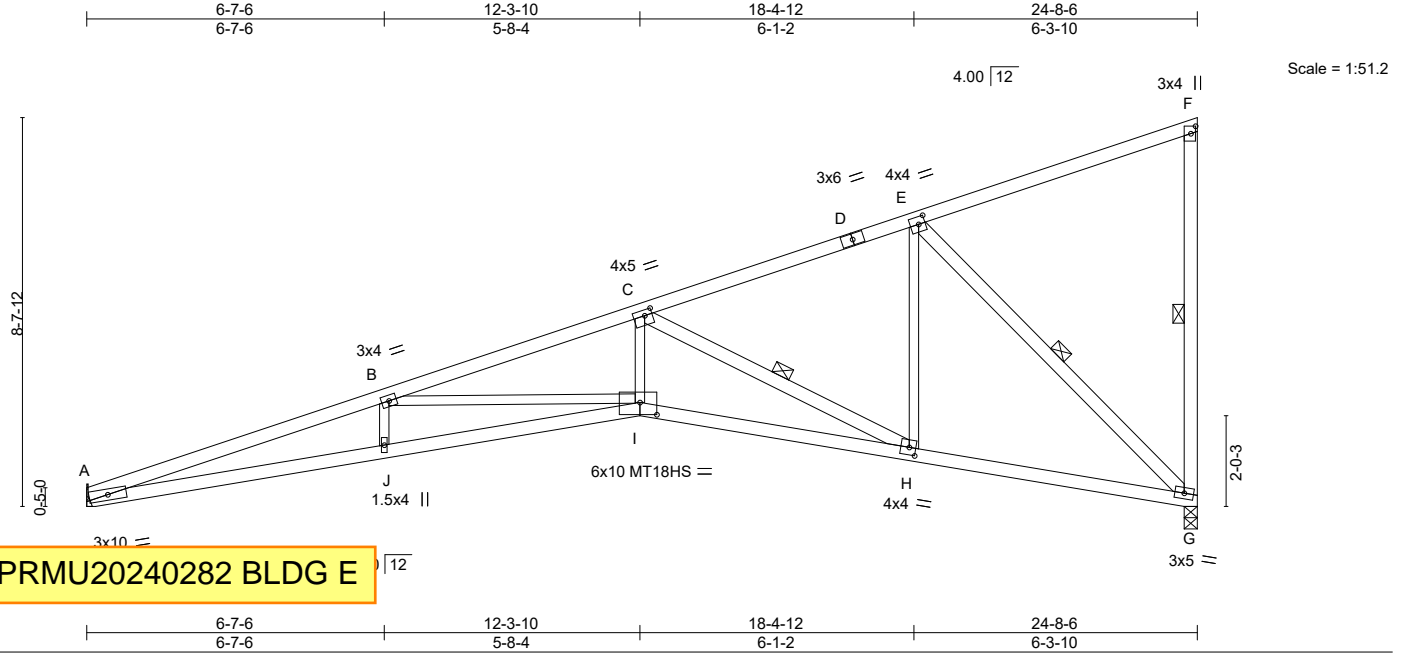


Plate Offsets (X,Y)-- [C:0-2-0,0-1-8], [E:0-1-12,0-2-0], [F:0-2-0,0-1-4], [H:0-1-12,0-2-0], [I:0-4-8,0-3-4]

LOADING (psf)	SPACING-	CSI.	DEFL.	PLATES	GRIP
TCLL 25.0 (Roof Snow=25.0)	2-0-0 Plate Grip DOL 1.15	TC 0.82	in (loc) l/defl L/d	MT20	197/144
TCDL 12.0	Lumber DOL 1.15	BC 0.93	Vert(LL) -0.41 I-J >710 360	MT18HS	197/144
BCLL 0.0 *	Rep Stress Incr YES	WB 0.94	Vert(CT) -0.76 I-J >386 240		
BCDL 10.0	Code IBC2018/TPI2014	Matrix-MS	Horz(CT) 0.34 G n/a n/a		
			Wind(LL) 0.24 I-J >999 240	Weight: 96 lb	FT = 20%

LUMBER-

TOP CHORD 2x4 SPF No.2
 BOT CHORD 2x4 SPF No.2 *Except*
 A-I: 2x4 SPF 2100F 1.8E
 WEBS 2x3 SPF No.2 *Except*
 F-G,C-H,E-G: 2x4 SPF No.2

BRACING-

TOP CHORD Structural wood sheathing directly applied or 2-0-11 oc purlins, except end verticals.
 BOT CHORD Rigid ceiling directly applied or 2-2-0 oc bracing.
 WEBS 1 Row at midpt F-G, C-H, E-G

REACTIONS.

(size) G=0-3-8, A=Mechanical
 Max Horz A=247(LC 6)
 Max Uplift G=-188(LC 6), A=-102(LC 6)
 Max Grav G=1380(LC 16), A=1195(LC 16)

FORCES. (lb) - Max. Comp./Max. Ten. - All forces 250 (lb) or less except when shown.

TOP CHORD A-B=-4990/575, B-C=-3791/427, C-E=-1368/94, F-G=-286/64
 BOT CHORD A-J=-762/4729, I-J=-764/4739, H-I=-564/3595, G-H=-182/1267
 WEBS B-I=-1143/197, C-I=-178/1557, C-H=-2599/423, E-H=-63/968, E-G=-1747/249

NOTES-

- 1) Wind: ASCE 7-16; Vult=115mph (3-second gust) Vasd=91mph; TCDL=4.2psf; BCDL=5.0psf; h=30ft; Ke=1.00; Cat. II; Exp B; Enclosed; MWFRS (envelope) gable end zone; cantilever left exposed; end vertical left exposed; Lumber DOL=1.33 plate grip DOL=1.33
- 2) TCLL: ASCE 7-16; Pf=25.0 psf (Lum DOL = 1.15 Plate DOL = 1.15); Is=1.0; Rough Cat B; Partially Exp.; Ce=1.0; Cs=1.00; Ct=1.10
- 3) Unbalanced snow loads have been considered for this design.
- 4) All plates are MT20 plates unless otherwise indicated.
- 5) This truss has been designed for a 10.0 psf bottom chord live load nonconcurrent with any other live loads.
- 6) * This truss has been designed for a live load of 20.0psf on the bottom chord in all areas where a rectangle 3-6-0 tall by 2-0-0 wide will fit between the bottom chord and any other members.
- 7) Refer to girder(s) for truss to truss connections.
- 8) Bearing at joint(s) G considers parallel to grain value using ANSI/TPI 1 angle to grain formula. Building designer should verify capacity of bearing surface.
- 9) Provide mechanical connection (by others) of truss to bearing plate capable of withstanding 188 lb uplift at joint G and 102 lb uplift at joint A.
- 10) This truss is designed in accordance with the 2018 International Building Code section 2306.1 and referenced standard ANSI/TPI 1.



September 12, 2024

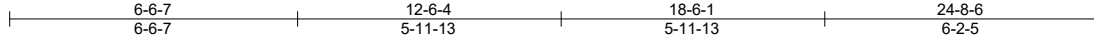
WARNING - Verify design parameters and READ NOTES ON THIS AND INCLUDED MITEK REFERENCE PAGE MII-7473 rev. 6/30/2020 BEFORE USE.
 Design valid for use only with MiTek® connectors. This design is based only upon parameters shown, and is for an individual building component, not a truss system. Before use, the building designer must verify the applicability of design parameters and properly incorporate this design into the overall building design. Bracing indicated is to prevent buckling of individual truss web and/or chord members only. Additional temporary and permanent bracing is always required for stability and to prevent collapse with possible personal injury and property damage. For general guidance regarding the fabrication, storage, delivery, erection and bracing of trusses and truss systems, see **ANSI/TPI1 Quality Criteria, DSB-89 and BCSI Building Component Safety Information** available from Truss Plate Institute, 2670 Crain Highway, Suite 203 Waldorf, MD 20601



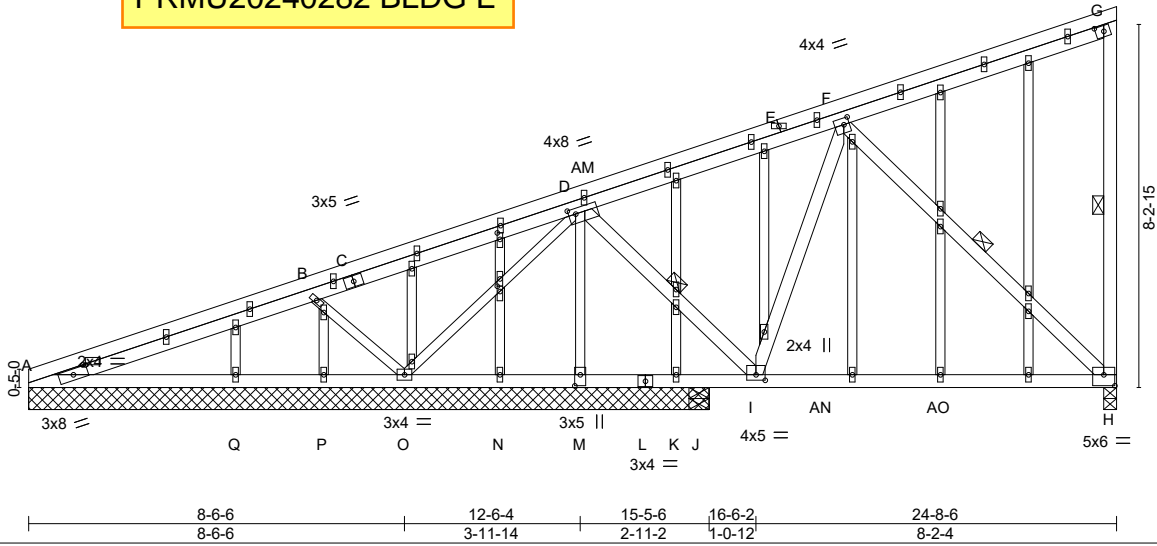
Job	Truss	Truss Type	Qty	Ply	Buildings A-H	U1530775
N0653A	B4	GABLE	7	1		

Alliance Truss (CA), Abbotsford, BC - V2S 7P6, 8.630 s Jul 12 2024 MiTek Industries, Inc. Thu Sep 12 02:47:26 2024 Page 1

ID:hFyjDMxrTsEK_kgkR0vWWVzFfgc-RfC?PsB70Hq3NSgPqnL8w3ulTXbGKwRCDoi7J4zJC?F



PRMU20240282 BLDG E



Scale = 1:52.3

Plate Offsets (X,Y)-- [D:0-1-15,0-1-8], [F:0-1-8,0-1-12], [G:0-2-4,0-1-8], [H:0-3-0,0-3-0], [I:0-2-8,0-1-8], [M:0-3-0,0-1-8], [AD:0-1-7,0-0-12], [AE:0-1-12,0-0-12], [AK:0-0-12,0-0-0]

LOADING (psf)	SPACING-	CSI.	DEFL.	in (loc)	l/defl	L/d	PLATES	GRIP
TCLL 25.0 (Roof Snow=25.0)	2-0-0	TC 0.70	Vert(LL) -0.16	H-I	>712	360	MT20	197/144
TCDL 12.0	Plate Grip DOL 1.15	BC 0.79	Vert(CT) -0.27	H-I	>410	240		
BCLL 0.0 *	Lumber DOL 1.15	WB 0.96	Horz(CT) -0.02	H	n/a	n/a		
BCDL 10.0	Rep Stress Incr YES	Matrix-MS	Wind(LL) 0.06	O	>760	240	Weight: 156 lb	FT = 20%
	Code IBC2018/TPI2014							

LUMBER-

TOP CHORD 2x4 SPF No.2
 BOT CHORD 2x4 SPF No.2
 WEBS 2x4 SPF No.2 *Except*
 B-O,D-O,D-M: 2x3 SPF No.2
 OTHERS 2x3 SPF No.2

BRACING-

TOP CHORD Structural wood sheathing directly applied or 2-2-0 oc purlins, except end verticals.
 BOT CHORD Rigid ceiling directly applied or 3-3-2 oc bracing.
 WEBS 1 Row at midpt G-H, D-I, F-H

REACTIONS.

All bearings 15-5-6 except (jt=length) H=0-3-8, J=0-5-8.
 (lb) - Max Horz A=315(LC 38)
 Max Uplift All uplift 100 lb or less at joint(s) K except H=919(LC 40), A=999(LC 31), N=320(LC 31), P=447(LC 31), Q=222(LC 54), M=1455(LC 31), J=315(LC 18)
 Max Grav All reactions 250 lb or less at joint(s) K, J except H=1330(LC 27), A=1099(LC 52), N=427(LC 28), P=487(LC 52), Q=350(LC 35), M=2167(LC 28), A=370(LC 1)

FORCES.

(lb) - Max. Comp./Max. Ten. - All forces 250 (lb) or less except when shown.
 TOP CHORD A-B=-3149/2947, B-D=-1579/1391, D-F=-1946/1652, F-G=-1687/1587, G-H=-286/52
 BOT CHORD A-Q=-2497/2487, P-Q=-1260/1250, O-P=-547/664, N-O=-1003/917, M-N=-1702/1617, K-M=-2580/2491, J-K=-2780/2691, I-J=-2780/2691, H-I=-958/1023
 WEBS B-O=-589/250, D-O=-665/772, D-I=-1836/2119, F-I=-1378/1492, F-H=-1410/1308, D-M=-2255/1624

NOTES-

- 1) Wind: ASCE 7-16; Vult=115mph (3-second gust) Vasd=91mph; TCDL=4.2psf; BCDL=5.0psf; h=30ft; Ke=1.00; Cat. II; Exp B; Enclosed; MWFRS (envelope) gable end zone; cantilever left and right exposed ; end vertical left and right exposed; Lumber DOL=1.33 plate grip DOL=1.33
- 2) Truss designed for wind loads in the plane of the truss only. For studs exposed to wind (normal to the face), see Standard Industry Gable End Details as applicable, or consult qualified building designer as per ANSI/TPI 1.
- 3) TCLL: ASCE 7-16; Pf=25.0 psf (Lum DOL=1.15 Plate DOL=1.15); Is=1.0; Rough Cat B; Partially Exp.; Ce=1.0; Cs=1.00; Ct=1.10
- 4) Unbalanced snow loads have been considered for this design.
- 5) All plates are 1.5x4 MT20 unless otherwise indicated.
- 6) Gable studs spaced at 2-0-0 oc.
- 7) This truss has been designed for a 10.0 psf bottom chord live load nonconcurrent with any other live loads.
- 8) * This truss has been designed for a live load of 20.0psf on the bottom chord in all areas where a rectangle 3-6-0 tall by 2-0-0 wide will fit between the bottom chord and any other members, with BCDL = 10.0psf.
- 9) Provide mechanical connection (by others) of truss to bearing plate capable of withstanding 100 lb uplift at joint(s) K except (jt=lb) H=919, A=999, N=320, P=447, Q=222, M=1455, J=315, A=999.
- 10) This truss is designed in accordance with the 2018 International Building Code section 2306.1 and referenced standard ANSI/TPI 1.



September 12, 2024

Continued on page 2

WARNING - Verify design parameters and READ NOTES ON THIS AND INCLUDED MITEK REFERENCE PAGE MII-7473 rev. 6/30/2020 BEFORE USE.

Design valid for use only with MiTek® connectors. This design is based only upon parameters shown, and is for an individual building component, not a truss system. Before use, the building designer must verify the applicability of design parameters and properly incorporate this design into the overall building design. Bracing indicated is to prevent buckling of individual truss web and/or chord members only. Additional temporary and permanent bracing is always required for stability and to prevent collapse with possible personal injury and property damage. For general guidance regarding the fabrication, storage, delivery, erection and bracing of trusses and truss systems, see

ANSI/TPI1 Quality Criteria, DSB-89 and BCSI Building Component

Safety Information available from Truss Plate Institute, 2670 Crain Highway, Suite 203 Waldorf, MD 20601



240 Stirling Crescent
 Bradford, ON. L3Z 4L5

Job	Truss	Truss Type	Qty	Ply	Buildings A-H	U1530775
N0653A	B4	GABLE	7	1	Job Reference (optional)	

Alliance Truss (CA), Abbotsford, BC - V2S 7P6,

8.630 s Jul 12 2024 MiTek Industries, Inc. Thu Sep 12 02:47:26 2024 Page 2
ID:hFyjDMxrTsEK_kgkR0vWWVzFigc-RfC?PsB70Hq3NSgPqnL8w3ulTXbGKWrCDoi7J4zJC?f

NOTES-

- 11) This truss has been designed for a total drag load of 240 plf. Lumber DOL=(1.33) Plate grip DOL=(1.33) Connect truss to resist drag loads along bottom chord from 0-0-0 to 15-5-6 for 383.7 plf.
- 12) No notches allowed in overhang and 0 from left end and 0 from right end or 12" along rake from scarf, whichever is larger. Minimum 1.5x4 tie plates required at 2-0-0 o.c. maximum between the stacking chords. For edge-wise notching, provide at least one tie plate between each notch.

PRMU20240282 BLDG E

WARNING - Verify design parameters and READ NOTES ON THIS AND INCLUDED MITEK REFERENCE PAGE MII-7473 rev. 6/30/2020 BEFORE USE.

Design valid for use only with MiTek® connectors. This design is based only upon parameters shown, and is for an individual building component, not a truss system. Before use, the building designer must verify the applicability of design parameters and properly incorporate this design into the overall building design. Bracing indicated is to prevent buckling of individual truss web and/or chord members only. Additional temporary and permanent bracing is always required for stability and to prevent collapse with possible personal injury and property damage. For general guidance regarding the fabrication, storage, delivery, erection and bracing of trusses and truss systems, see

Safety Information available from Truss Plate Institute, 2670 Crain Highway, Suite 203 Waldorf, MD 20601 **ANSI/TPI1 Quality Criteria, DSB-89 and BCSI Building Component**

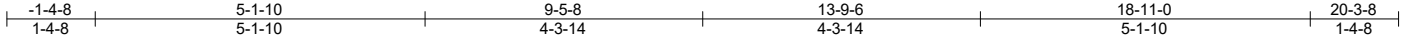


240 Stirling Crescent
Bradford, ON. L3Z 4L5

Job	Truss	Truss Type	Qty	Ply	Buildings A-H	U1530776
N0653A	C1	GABLE	15	1		

Alliance Truss (CA), Abbotsford, BC - V2S 7P6, 8.630 s Jul 12 2024 MiTek Industries, Inc. Thu Sep 12 02:47:26 2024 Page 1

ID:hFyjDMxrTsEK_kgkR0vWWWzFfgc-RfC?PsB70Hq3NSgPqnL8w3ulTXbGKWrcDoi7J4zJC?f



Scale = 1:35.9

PRMU20240282 BLDG E

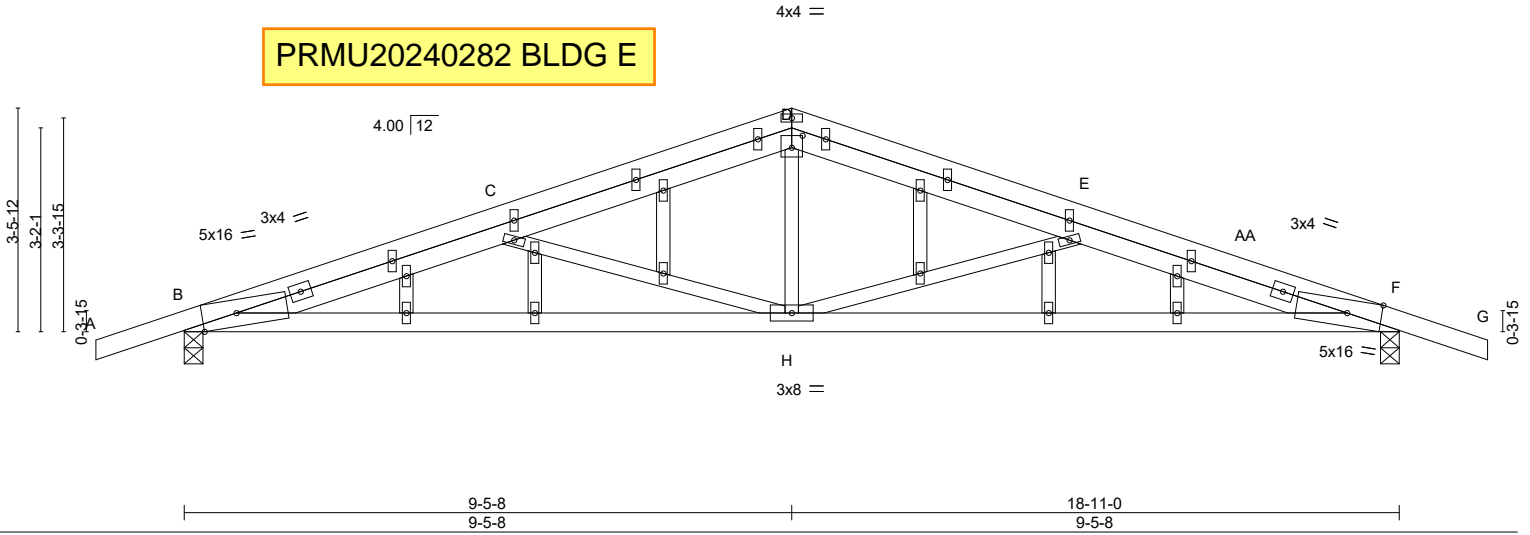


Plate Offsets (X,Y)-- [B:0-6-7,Edge], [D:0-2-0,0-2-4], [F:0-6-7,Edge]

LOADING (psf)	SPACING-	CSI.	DEFL.	PLATES	GRIP
TCLL 25.0 (Roof Snow=25.0)	2-0-0 Plate Grip DOL 1.15	TC 0.41	in (loc) l/defl L/d	MT20	197/144
TCDL 12.0	Lumber DOL 1.15	BC 0.81	Vert(LL) -0.14 H-Z >999 360		
BCLL 0.0 *	Rep Stress Incr YES	WB 0.55	Vert(CT) -0.33 H-W >684 240		
BCDL 10.0	Code IBC2018/TPI2014	Matrix-MS	Horz(CT) 0.06 F n/a n/a		
			Wind(LL) 0.06 H-W >999 240	Weight: 83 lb	FT = 20%

LUMBER-	BRACING-
TOP CHORD 2x4 SPF No.2	TOP CHORD Structural wood sheathing directly applied or 3-3-12 oc purlins.
BOT CHORD 2x4 SPF No.2	BOT CHORD Rigid ceiling directly applied or 10-0-0 oc bracing.
WEBS 2x3 SPF No.2	
OTHERS 2x3 SPF No.2	

REACTIONS. (size) B=0-3-8, F=0-3-8
 Max Horz B=54(LC 10)
 Max Uplift B=-169(LC 6), F=-137(LC 7)
 Max Grav B=1105(LC 17), F=1057(LC 18)

FORCES. (lb) - Max. Comp./Max. Ten. - All forces 250 (lb) or less except when shown.
 TOP CHORD B-C=-240/253, C-D=-1609/111, D-E=-1608/113, E-F=-253/243
 BOT CHORD B-H=-234/2275, F-H=-184/2396
 WEBS D-H=0/675, E-H=-1018/188, C-H=-932/197

- NOTES-**
- 1) Wind: ASCE 7-16; Vult=115mph (3-second gust) Vasd=91mph; TCDL=4.2psf; BCDL=5.0psf; h=30ft; Ke=1.00; Cat. II; Exp B; Enclosed; MWFRS (envelope) gable end zone; cantilever left and right exposed; end vertical left and right exposed; Lumber DOL=1.33 plate grip DOL=1.33
 - 2) Truss designed for wind loads in the plane of the truss only. For studs exposed to wind (normal to the face), see Standard Industry Gable End Details as applicable, or consult qualified building designer as per ANSI/TPI 1.
 - 3) TCLL: ASCE 7-16; Pf=25.0 psf (Lum DOL=1.15 Plate DOL=1.15); Is=1.0; Rough Cat B; Partially Exp.; Ce=1.0; Cs=1.00; Ct=1.10
 - 4) Unbalanced snow loads have been considered for this design.
 - 5) This truss has been designed for greater of min roof live load of 20.0 psf or 2.00 times flat roof load of 25.0 psf on overhangs non-concurrent with other live loads.
 - 6) All plates are 1.5x4 MT20 unless otherwise indicated.
 - 7) Gable studs spaced at 2-0-0 oc.
 - 8) This truss has been designed for a 10.0 psf bottom chord live load nonconcurrent with any other live loads.
 - 9) * This truss has been designed for a live load of 20.0psf on the bottom chord in all areas where a rectangle 3-6-0 tall by 2-0-0 wide will fit between the bottom chord and any other members.
 - 10) Provide mechanical connection (by others) of truss to bearing plate capable of withstanding 100 lb uplift at joint(s) except (jt=lb) B=169, F=137.
 - 11) This truss is designed in accordance with the 2018 International Building Code section 2306.1 and referenced standard ANSI/TPI 1.
 - 12) No notches allowed in overhang and 10408 from left end and 10408 from right end or 12" along rake from scarf, whichever is larger. Minimum 1.5x4 tie plates required at 2-0-0 o.c. maximum between the stacking chords. For edge-wise notching, provide at least one tie plate between each notch.



September 12, 2024

WARNING - Verify design parameters and READ NOTES ON THIS AND INCLUDED MITEK REFERENCE PAGE MII-7473 rev. 6/30/2020 BEFORE USE.
 Design valid for use only with MiTek® connectors. This design is based only upon parameters shown, and is for an individual building component, not a truss system. Before use, the building designer must verify the applicability of design parameters and properly incorporate this design into the overall building design. Bracing indicated is to prevent buckling of individual truss web and/or chord members only. Additional temporary and permanent bracing is always required for stability and to prevent collapse with possible personal injury and property damage. For general guidance regarding the fabrication, storage, delivery, erection and bracing of trusses and truss systems, see **ANSI/TPI1 Quality Criteria, DSB-89 and BCSI Building Component Safety Information** available from Truss Plate Institute, 2670 Crain Highway, Suite 203 Waldorf, MD 20601

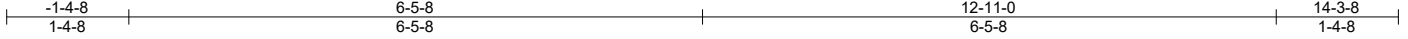


Job	Truss	Truss Type	Qty	Ply	Buildings A-H	U1530777
N0653A	D1	GABLE	7	1		

Alliance Truss (CA), Abbotsford, BC - V2S 7P6,

8.630 s Jul 12 2024 MiTek Industries, Inc. Thu Sep 12 02:47:27 2024 Page 1

ID:hFyjDMxrTsEK_kgkR0vWWVzFgC-RfC?PsB70Hq3NSgPqnL8w3ulTXbGKWrCDoi7J4zJC?f



Scale = 1:25.9

PRMU20240282 BLDG E

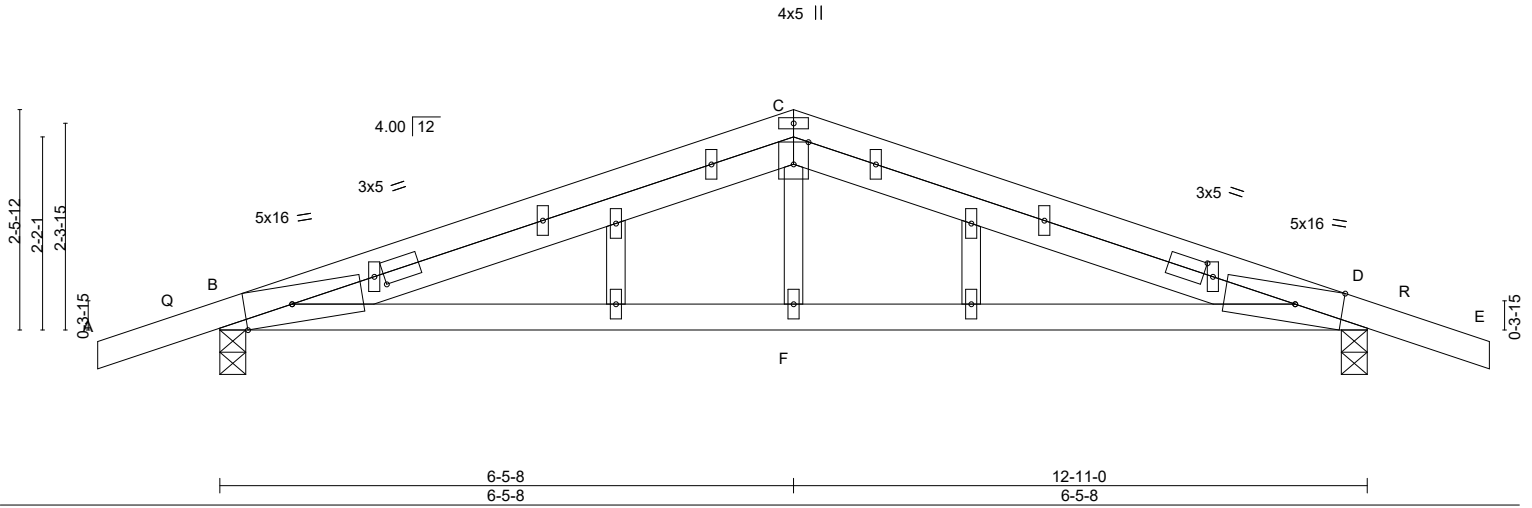


Plate Offsets (X,Y)-- [B:0-6-7,Edge], [B:1-1-0,0-1-8], [C:0-3-0,Edge], [D:1-1-0,0-1-8], [D:0-6-7,Edge]

LOADING (psf)	SPACING-	2-0-0	CSI.	DEFL.	in (loc)	l/defl	L/d	PLATES	GRIP	
TCLL 25.0 (Roof Snow=25.0)	Plate Grip DOL	1.15	TC 0.86	Vert(LL)	-0.11	F-M	>999	360	MT20	197/144
TCDL 12.0	Lumber DOL	1.15	BC 0.76	Vert(CT)	-0.18	F-M	>864	240		
BCLL 0.0 *	Rep Stress Incr	YES	WB 0.09	Horz(CT)	0.02	D	n/a	n/a		
BCDL 10.0	Code IBC2018/TPI2014		Matrix-MS	Wind(LL)	0.04	F-M	>999	240	Weight: 50 lb	FT = 20%

LUMBER-	BRACING-
TOP CHORD 2x4 SPF No.2	TOP CHORD Structural wood sheathing directly applied or 2-2-0 oc purlins.
BOT CHORD 2x4 SPF No.2	BOT CHORD Rigid ceiling directly applied or 10-0-0 oc bracing.
WEBS 2x3 SPF No.2	
OTHERS 2x3 SPF No.2	

REACTIONS. (size) B=0-3-8, D=0-3-8
 Max Horz B=41(LC 10)
 Max Uplift B=-141(LC 6), D=-110(LC 7)
 Max Grav B=974(LC 17), D=822(LC 18)

FORCES. (lb) - Max. Comp./Max. Ten. - All forces 250 (lb) or less except when shown.
 TOP CHORD B-C=-1260/86, C-D=-1230/91
 BOT CHORD B-F=-53/1118, D-F=-53/1118
 WEBS C-F=0/288

- NOTES-**
- 1) Wind: ASCE 7-16; Vult=115mph (3-second gust) Vasd=91mph; TCDL=4.2psf; BCDL=5.0psf; h=30ft; Ke=1.00; Cat. II; Exp B; Enclosed; MWFRS (envelope) gable end zone; cantilever left and right exposed; end vertical left and right exposed; Lumber DOL=1.33 plate grip DOL=1.33
 - 2) Truss designed for wind loads in the plane of the truss only. For studs exposed to wind (normal to the face), see Standard Industry Gable End Details as applicable, or consult qualified building designer as per ANSI/TPI 1.
 - 3) TCLL: ASCE 7-16; Pf=25.0 psf (Lum DOL=1.15 Plate DOL=1.15); Is=1.0; Rough Cat B; Partially Exp.; Ce=1.0; Cs=1.00; Ct=1.10
 - 4) Unbalanced snow loads have been considered for this design.
 - 5) This truss has been designed for greater of min roof live load of 20.0 psf or 2.00 times flat roof load of 25.0 psf on overhangs non-concurrent with other live loads.
 - 6) All plates are 1.5x4 MT20 unless otherwise indicated.
 - 7) Gable studs spaced at 2-0-0 oc.
 - 8) This truss has been designed for a 10.0 psf bottom chord live load nonconcurrent with any other live loads.
 - 9) * This truss has been designed for a live load of 20.0psf on the bottom chord in all areas where a rectangle 3-6-0 tall by 2-0-0 wide will fit between the bottom chord and any other members.
 - 10) Provide mechanical connection (by others) of truss to bearing plate capable of withstanding 100 lb uplift at joint(s) except (jt=lb) B=141, D=110.
 - 11) This truss is designed in accordance with the 2018 International Building Code section 2306.1 and referenced standard ANSI/TPI 1.
 - 12) No notches allowed in overhang and 10408 from left end and 10408 from right end or 12" along rake from scarf, whichever is larger. Minimum 1.5x4 tie plates required at 2-0-0 o.c. maximum between the stacking chords. For edge-wise notching, provide at least one tie plate between each notch.



September 12, 2024

WARNING - Verify design parameters and READ NOTES ON THIS AND INCLUDED MITEK REFERENCE PAGE MII-7473 rev. 6/30/2020 BEFORE USE.

Design valid for use only with MiTek® connectors. This design is based only upon parameters shown, and is for an individual building component, not a truss system. Before use, the building designer must verify the applicability of design parameters and properly incorporate this design into the overall building design. Bracing indicated is to prevent buckling of individual truss web and/or chord members only. Additional temporary and permanent bracing is always required for stability and to prevent collapse with possible personal injury and property damage. For general guidance regarding the fabrication, storage, delivery, erection and bracing of trusses and truss systems, see **ANSI/TPI1 Quality Criteria, DSB-89 and BCSI Building Component Safety Information** available from Truss Plate Institute, 2670 Crain Highway, Suite 203 Waldorf, MD 20601

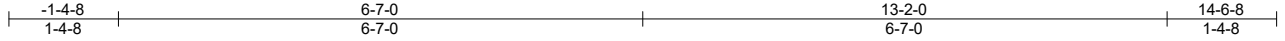
240 Stirling Crescent
Bradford, ON. L3Z 4L5

Job	Truss	Truss Type	Qty	Ply	Buildings A-H	U1530841
N0653A	G1	GABLE	20	1		

Alliance Truss (CA), Abbotsford, BC - V2S 7P6,

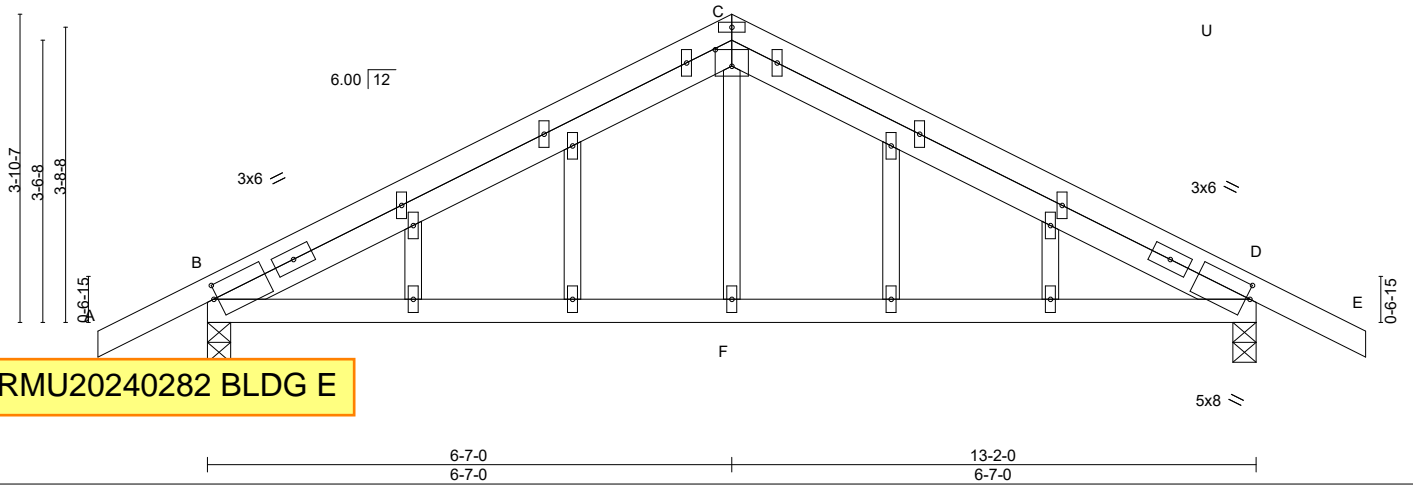
8.820 s Aug 30 2024 MiTek Industries, Inc. Thu Sep 12 02:48:05 2024 Page 1

ID:hFyJDMxrTsEK_kgkR0vWWVzFlgc-gWaaIU2cEdidQaGO1AS_StTKARoq8_rO205FoSyeVr8



4x5 =

Scale = 1:28.9



PRMU20240282 BLDG E

Plate Offsets (X,Y)-- [B:0-0-9,0-2-1], [C:0-2-8,0-2-8], [D:0-0-9,0-2-1]

LOADING (psf)	SPACING-	CSI.	DEFL.	in (loc)	l/defl	L/d	PLATES	GRIP
TCLL 25.0 (Roof Snow=25.0)	2-0-0 Plate Grip DOL 1.15 Lumber DOL 1.15	TC 0.76 BC 0.41 WB 0.08 Matrix-MS	Vert(LL) -0.07 Vert(CT) -0.10 Horz(CT) 0.01 Wind(LL) 0.03	F-T F-T B F-Q	>999 >999 n/a >999	360 240 n/a 240	MT20	197/144
TCDL 12.0	Rep Stress Incr YES Code IBC2018/TPI2014						Weight: 59 lb	FT = 20%
BCLL 0.0 *								
BCDL 10.0								

LUMBER-
 TOP CHORD 2x4 SPF No.2
 BOT CHORD 2x4 SPF No.2
 WEBS 2x3 SPF No.2
 OTHERS 2x3 SPF No.2

BRACING-
 TOP CHORD Structural wood sheathing directly applied or 4-4-14 oc purlins.
 BOT CHORD Rigid ceiling directly applied or 10-0-0 oc bracing.

REACTIONS. (size) B=0-3-8, D=0-3-8
 Max Horz B=52(LC 10)
 Max Uplift B=-90(LC 10), D=-78(LC 11)
 Max Grav B=760(LC 1), D=817(LC 18)

FORCES. (lb) - Max. Comp./Max. Ten. - All forces 250 (lb) or less except when shown.
 TOP CHORD B-C=-815/65, C-D=-877/66
 BOT CHORD B-F=-15/662, D-F=-15/662
 WEBS C-F=0/265

NOTES-

- 1) Wind: ASCE 7-16; Vult=115mph (3-second gust) Vasd=91mph; TCDL=4.2psf; BCDL=5.0psf; h=30ft; Ke=1.00; Cat. II; Exp B; Enclosed; MWFRS (envelope) gable end zone; cantilever left and right exposed; end vertical left and right exposed; Lumber DOL=1.33 plate grip DOL=1.33
- 2) Truss designed for wind loads in the plane of the truss only. For studs exposed to wind (normal to the face), see Standard Industry Gable End Details as applicable, or consult qualified building designer as per ANSI/TPI 1.
- 3) TCDL: ASCE 7-16; Pf=25.0 psf (Lum DOL = 1.15 Plate DOL = 1.15); Is=1.0; Rough Cat B; Partially Exp.; Ce=1.0; Cs=1.00; Ct=1.10
- 4) Unbalanced snow loads have been considered for this design.
- 5) This truss has been designed for greater of min roof live load of 18.0 psf or 2.00 times flat roof load of 25.0 psf on overhangs non-concurrent with other live loads.
- 6) All plates are 1.5x4 MT20 unless otherwise indicated.
- 7) Gable studs spaced at 2-0-0 oc.
- 8) This truss has been designed for a 10.0 psf bottom chord live load nonconcurrent with any other live loads.
- 9) * This truss has been designed for a live load of 20.0psf on the bottom chord in all areas where a rectangle 3-6-0 tall by 2-0-0 wide will fit between the bottom chord and any other members.
- 10) Provide mechanical connection (by others) of truss to bearing plate capable of withstanding 90 lb uplift at joint B and 78 lb uplift at joint D.
- 11) This truss is designed in accordance with the 2018 International Building Code section 2306.1 and referenced standard ANSI/TPI 1.
- 12) No notches allowed in overhang and 10408 from left end and 10408 from right end or 12" along rake from scarf, whichever is larger. Minimum 1.5x4 tie plates required at 2-0-0 o.c. maximum between the stacking chords. For edge-wise notching, provide at least one tie plate between each notch.



September 12, 2024

WARNING - Verify design parameters and READ NOTES ON THIS AND INCLUDED MITEK REFERENCE PAGE MII-7473 rev. 6/30/2020 BEFORE USE.

Design valid for use only with MiTek® connectors. This design is based only upon parameters shown, and is for an individual building component, not a truss system. Before use, the building designer must verify the applicability of design parameters and properly incorporate this design into the overall building design. Bracing indicated is to prevent buckling of individual truss web and/or chord members only. Additional temporary and permanent bracing is always required for stability and to prevent collapse with possible personal injury and property damage. For general guidance regarding the fabrication, storage, delivery, erection and bracing of trusses and truss systems, see

ANSI/TPI1 Quality Criteria, DSB-89 and BCSI Building Component Safety Information available from Truss Plate Institute, 2670 Crain Highway, Suite 203 Waldorf, MD 20601



240 Stirling Crescent
 Bradford, ON. L3Z 4L5

Job	Truss	Truss Type	Qty	Ply	Buildings A-H	U1530778
N0653A	G2	Common	14	1		

Alliance Truss (CA), Abbotsford, BC - V2S 7P6,

8.630 s Jul 12 2024 MiTek Industries, Inc. Thu Sep 12 02:47:27 2024 Page 1

ID:hFyjDMxrTsEK_kgkR0vWWVzFfgc-RfC?PsB70Hq3NSgPqnL8w3ulTXbGKWrCDoi7J4zJC?f



Scale = 1:26.6

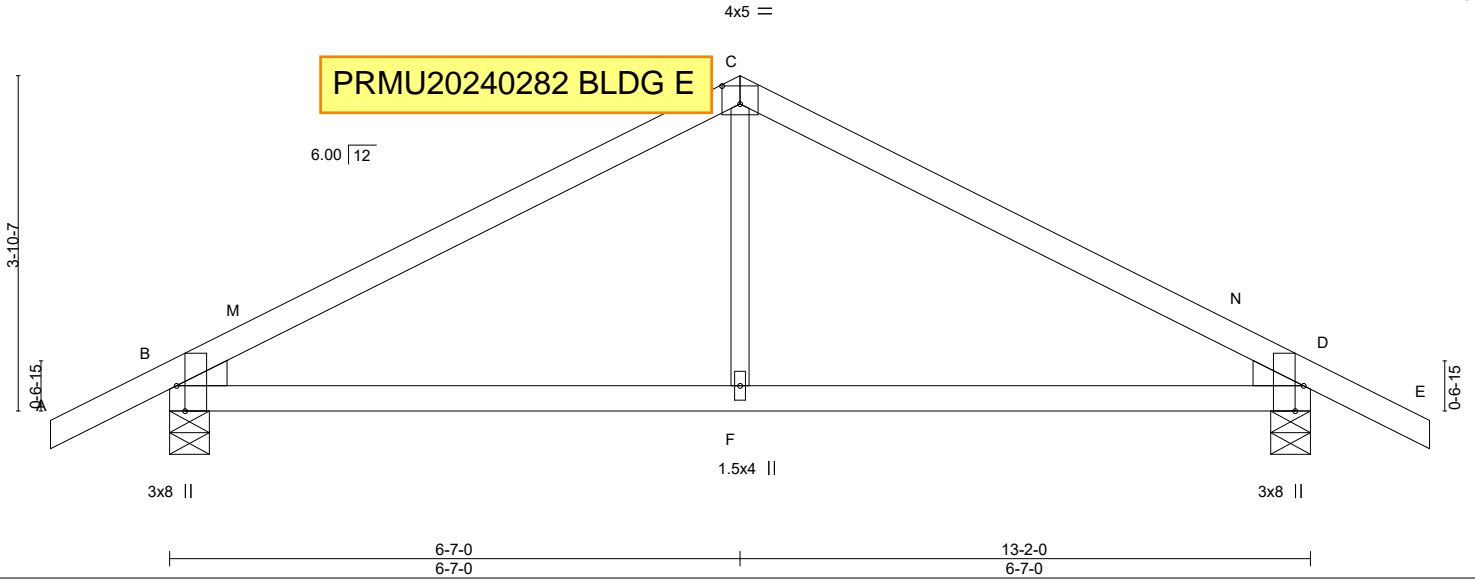


Plate Offsets (X,Y)-- [B:0-3-8,Edge], [C:0-2-8,0-2-8], [D:0-3-8,Edge]

LOADING (psf)		SPACING-		CSI.		DEFL.				PLATES		GRIP	
TCLL	25.0	Plate Grip DOL	1.15	TC	0.79	Vert(LL)	-0.11	F-I	>999	360	MT20	197/144	
(Roof Snow=25.0)		Lumber DOL	1.15	BC	0.61	Vert(CT)	-0.15	F-I	>999	240			
TCDL	12.0	Rep Stress Incr	YES	WB	0.09	Horz(CT)	0.02	B	n/a	n/a			
BCLL	0.0 *	Code IBC2018/TPI2014		Matrix-MS		Wind(LL)	0.04	F-I	>999	240	Weight: 40 lb	FT = 20%	
BCDL	10.0												

LUMBER-
TOP CHORD 2x4 SPF No.2
BOT CHORD 2x4 SPF No.2
WEBS 2x3 SPF No.2
WEDGE
Left: 2x4 SPF No.2 , Right: 2x4 SPF No.2

BRACING-
TOP CHORD Structural wood sheathing directly applied or 2-9-12 oc purlins.
BOT CHORD Rigid ceiling directly applied or 10-0-0 oc bracing.

REACTIONS. (size) B=0-5-8, D=0-5-8
Max Horz B=-52(LC 15)
Max Uplift B=-75(LC 10), D=-75(LC 11)
Max Grav B=817(LC 17), D=817(LC 18)

FORCES. (lb) - Max. Comp./Max. Ten. - All forces 250 (lb) or less except when shown.
TOP CHORD B-C=-870/71, C-D=-870/71
BOT CHORD B-F=-14/647, D-F=-14/647
WEBS C-F=0/289

- NOTES-**
- 1) Wind: ASCE 7-16; Vult=115mph (3-second gust) Vasd=91mph; TCDL=4.2psf; BCDL=5.0psf; h=30ft; Ke=1.00; Cat. II; Exp B; Enclosed; MWFRS (envelope) gable end zone; cantilever left and right exposed ; end vertical left and right exposed; Lumber DOL=1.33 plate grip DOL=1.33
 - 2) TCLL: ASCE 7-16; Pf=25.0 psf (Lum DOL=1.15 Plate DOL=1.15); Is=1.0; Rough Cat B; Partially Exp.; Ce=1.0; Cs=1.00; Ct=1.10
 - 3) Unbalanced snow loads have been considered for this design.
 - 4) This truss has been designed for greater of min roof live load of 18.0 psf or 2.00 times flat roof load of 25.0 psf on overhangs non-concurrent with other live loads.
 - 5) This truss has been designed for a 10.0 psf bottom chord live load nonconcurrent with any other live loads.
 - 6) * This truss has been designed for a live load of 20.0psf on the bottom chord in all areas where a rectangle 3-6-0 tall by 2-0-0 wide will fit between the bottom chord and any other members.
 - 7) Provide mechanical connection (by others) of truss to bearing plate capable of withstanding 100 lb uplift at joint(s) B, D.
 - 8) This truss is designed in accordance with the 2018 International Building Code section 2306.1 and referenced standard ANSI/TPI 1.



September 12, 2024

WARNING - Verify design parameters and READ NOTES ON THIS AND INCLUDED MITEK REFERENCE PAGE MII-7473 rev. 6/30/2020 BEFORE USE.

Design valid for use only with MiTek® connectors. This design is based only upon parameters shown, and is for an individual building component, not a truss system. Before use, the building designer must verify the applicability of design parameters and properly incorporate this design into the overall building design. Bracing indicated is to prevent buckling of individual truss web and/or chord members only. Additional temporary and permanent bracing is always required for stability and to prevent collapse with possible personal injury and property damage. For general guidance regarding the fabrication, storage, delivery, erection and bracing of trusses and truss systems, see

Safety Information available from Truss Plate Institute, 2670 Crain Highway, Suite 203 Waldorf, MD 20601

ANSI/TPI1 Quality Criteria, DSB-89 and BCSI Building Component



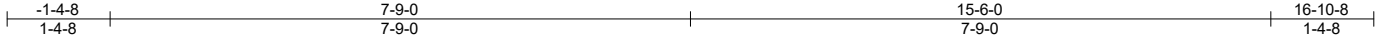
240 Stirling Crescent
Bradford, ON. L3Z 4L5

Job	Truss	Truss Type	Qty	Ply	Buildings A-H	U1530842
N0653A	G3	GABLE	2	1		

Alliance Truss (CA), Abbotsford, BC - V2S 7P6,

8.820 s Aug 30 2024 MiTek Industries, Inc. Thu Sep 12 02:48:05 2024 Page 1

ID:hFyjDMxrTsEK_kgkR0vWWVzFlgc-gWaaIU2cEdidQaGO1AS_StTSeRts8?BO205FoSyevr8



Scale = 1:30.8

4x4 =

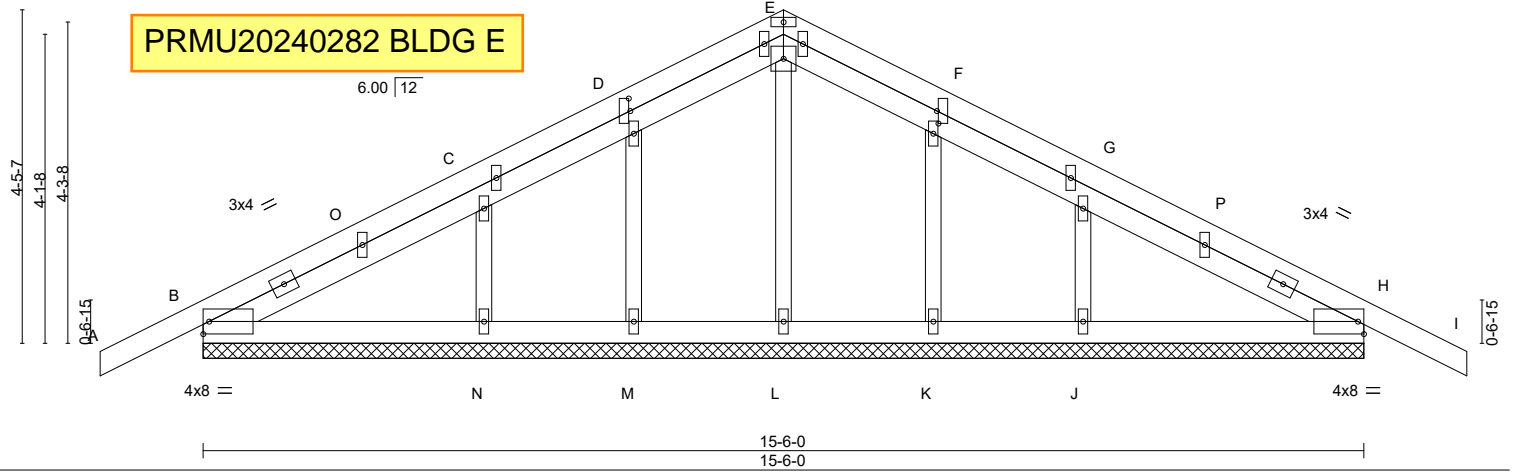


Plate Offsets (X,Y)-- [D:0-2-0,0-0-4], [F:0-2-0,0-0-4]

LOADING (psf)	SPACING-	2-0-0	CSI.	DEFL.	in (loc)	l/defl	L/d	PLATES	GRIP
TCLL 25.0 (Roof Snow=25.0)	Plate Grip DOL	1.15	TC 0.22	Vert(LL)	0.00	H	n/r	120	MT20
TCDL 12.0	Lumber DOL	1.15	BC 0.08	Vert(CT)	0.00	I	n/r	90	
BCLL 0.0 *	Rep Stress Incr	YES	WB 0.06	Horz(CT)	0.00	H	n/a	n/a	
BCDL 10.0	Code IBC2018/TPI2014		Matrix-S						Weight: 70 lb FT = 20%

LUMBER-

TOP CHORD 2x4 SPF No.2
 BOT CHORD 2x4 SPF No.2
 OTHERS 2x3 SPF No.2

BRACING-

TOP CHORD Structural wood sheathing directly applied or 6-0-0 oc purlins.
 BOT CHORD Rigid ceiling directly applied or 10-0-0 oc bracing.

REACTIONS.

All bearings 15-6-0.
 (lb) - Max Horz B=-55(LC 11)
 Max Uplift All uplift 100 lb or less at joint(s) B, H, M, N, K, J
 Max Grav All reactions 250 lb or less at joint(s) L, M, K except B=289(LC 17), H=289(LC 18), N=401(LC 17), J=400(LC 18)

FORCES. (lb) - Max. Comp./Max. Ten. - All forces 250 (lb) or less except when shown.

WEBS C-N=-321/89, G-J=-320/90

NOTES-

- 1) Wind: ASCE 7-16; Vult=115mph (3-second gust) Vasd=91mph; TCDL=4.2psf; BCDL=5.0psf; h=30ft; Ke=1.00; Cat. II; Exp B; Enclosed; MWFRS (envelope) gable end zone; cantilever left and right exposed; end vertical left and right exposed; Lumber DOL=1.33 plate grip DOL=1.33
- 2) Truss designed for wind loads in the plane of the truss only. For studs exposed to wind (normal to the face), see Standard Industry Gable End Details as applicable, or consult qualified building designer as per ANSI/TPI 1.
- 3) TCLL: ASCE 7-16; Pf=25.0 psf (Lum DOL = 1.15 Plate DOL = 1.15); Is=1.0; Rough Cat B; Partially Exp.; Ce=1.0; Cs=1.00; Ct=1.10
- 4) Unbalanced snow loads have been considered for this design.
- 5) This truss has been designed for greater of min roof live load of 18.0 psf or 2.00 times flat roof load of 25.0 psf on overhangs non-concurrent with other live loads.
- 6) All plates are 1.5x4 MT20 unless otherwise indicated.
- 7) Gable requires continuous bottom chord bearing.
- 8) Gable studs spaced at 2-0-0 oc.
- 9) This truss has been designed for a 10.0 psf bottom chord live load nonconcurrent with any other live loads.
- 10) * This truss has been designed for a live load of 20.0psf on the bottom chord in all areas where a rectangle 3-6-0 tall by 2-0-0 wide will fit between the bottom chord and any other members.
- 11) Provide mechanical connection (by others) of truss to bearing plate capable of withstanding 100 lb uplift at joint(s) B, H, M, N, K, J.
- 12) This truss is designed in accordance with the 2018 International Building Code section 2306.1 and referenced standard ANSI/TPI 1.
- 13) No notches allowed in overhang and 10408 from left end and 10408 from right end or 12" along rake from scarf, whichever is larger. Minimum 1.5x4 tie plates required at 2-0-0 o.c. maximum between the stacking chords. For edge-wise notching, provide at least one tie plate between each notch.



September 12, 2024

WARNING - Verify design parameters and READ NOTES ON THIS AND INCLUDED MITEK REFERENCE PAGE MII-7473 rev. 6/30/2020 BEFORE USE.

Design valid for use only with MiTek® connectors. This design is based only upon parameters shown, and is for an individual building component, not a truss system. Before use, the building designer must verify the applicability of design parameters and properly incorporate this design into the overall building design. Bracing indicated is to prevent buckling of individual truss web and/or chord members only. Additional temporary and permanent bracing is always required for stability and to prevent collapse with possible personal injury and property damage. For general guidance regarding the fabrication, storage, delivery, erection and bracing of trusses and truss systems, see

Safety Information available from Truss Plate Institute, 2670 Crain Highway, Suite 203 Waldorf, MD 20601

ANSI/TPI1 Quality Criteria, DSB-89 and BCSI Building Component

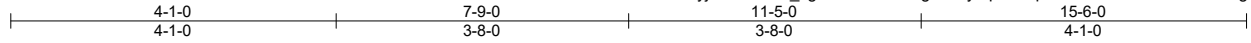


240 Stirling Crescent
 Bradford, ON. L3Z 4L5

Job N0653A	Truss G4	Truss Type Common Girder	Qty 2	Ply 2	Buildings A-H Job Reference (optional)	U1530843
---------------	-------------	-----------------------------	----------	----------	---	----------

Alliance Truss (CA), Abbotsford, BC - V2S 7P6,

8.820 s Aug 30 2024 MiTek Industries, Inc. Thu Sep 12 02:48:06 2024 Page 1
ID:hFyjDMxrTsEK_kgkR0vWWVzFlgc-8i8yvq3F?xqU2krabuzD?50Y?r6ktDIYHgrpKuyeVr7



5x6 ||

Scale = 1:28.9

PRMU20240282 BLDG E

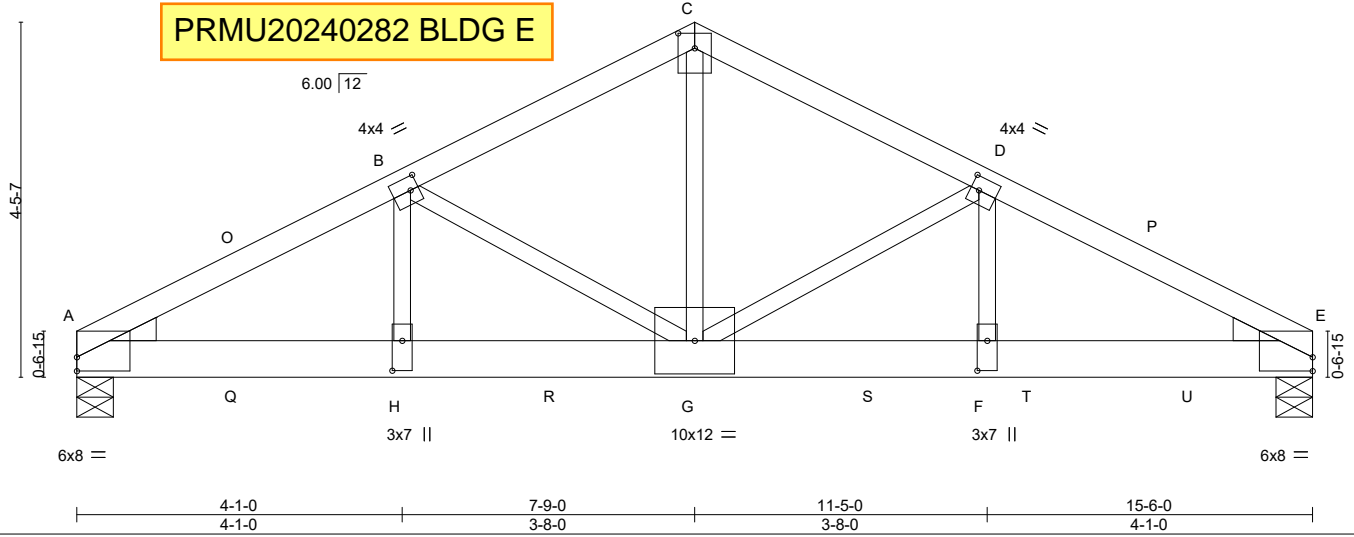


Plate Offsets (X,Y)-- [A:0-0-0,0-2-1], [B:0-1-4,0-2-0], [C:0-2-4,0-2-8], [D:0-1-4,0-2-0], [E:Edge,0-2-1], [F:0-4-8,0-1-8], [H:0-4-8,0-1-8]

LOADING (psf)	SPACING-	CSI.	DEFL.	in (loc)	l/defl	L/d	PLATES	GRIP
TCLL 25.0 (Roof Snow=25.0)	2-0-0 Plate Grip DOL 1.15	TC 0.56	Vert(LL)	-0.11	G-H	>999	MT20	197/144
TCDL 12.0	Lumber DOL 1.15	BC 0.55	Vert(CT)	-0.20	G-H	>917		
BCLL 0.0 *	Rep Stress Incr NO	WB 1.00	Horz(CT)	0.04	E	n/a		
BCDL 10.0	Code IBC2018/TPI2014	Matrix-MS	Wind(LL)	0.06	G-H	>999	Weight: 124 lb	FT = 20%

LUMBER-
TOP CHORD 2x4 SPF No.2
BOT CHORD 2x6 SPF 2100F 1.8E
WEBS 2x3 SPF No.2
WEDGE
Left: 2x4 SP No.3 , Right: 2x4 SP No.3

BRACING-
TOP CHORD Structural wood sheathing directly applied or 3-7-5 oc purlins.
BOT CHORD Rigid ceiling directly applied or 10-0-0 oc bracing.

REACTIONS. (size) A=0-5-8, E=0-5-8
Max Horz A=51(LC 29)
Max Uplift A=614(LC 10), E=649(LC 11)
Max Grav A=5531(LC 3), E=5841(LC 4)

FORCES. (lb) - Max. Comp./Max. Ten. - All forces 250 (lb) or less except when shown.
TOP CHORD A-B=-9488/1055, B-C=-6914/792, C-D=-6916/792, D-E=-9448/1051
BOT CHORD A-H=-953/8416, G-H=-953/8416, F-G=-900/8388, E-F=-900/8388
WEBS C-G=-638/5829, D-G=-2638/347, D-F=-222/2235, B-G=-2670/350, B-H=-228/2291

- NOTES-**
- 2-ply truss to be connected together with 10d (0.131"x3") nails as follows:
Top chords connected as follows: 2x4 - 1 row at 0-4-0 oc.
Bottom chords connected as follows: 2x6 - 2 rows staggered at 0-6-0 oc.
Webs connected as follows: 2x3 - 1 row at 0-9-0 oc.
 - All loads are considered equally applied to all plies, except if noted as front (F) or back (B) face in the LOAD CASE(S) section. Ply to ply connections have been provided to distribute only loads noted as (F) or (B), unless otherwise indicated.
 - Wind: ASCE 7-16; Vult=115mph (3-second gust) Vasd=91mph; TC DL=4.2psf; BCDL=5.0psf; h=30ft; Ke=1.00; Cat. II; Exp B; Enclosed; MWFRS (envelope) gable end zone; cantilever left exposed; end vertical left exposed; Lumber DOL=1.33 plate grip DOL=1.33
 - TCLL: ASCE 7-16; Pf=25.0 psf (Lum DOL = 1.15 Plate DOL = 1.15); Is=1.0; Rough Cat B; Partially Exp.; Ce=1.0; Cs=1.00; Ct=1.10
 - Unbalanced snow loads have been considered for this design.
 - This truss has been designed for a 10.0 psf bottom chord live load nonconcurrent with any other live loads.
 - * This truss has been designed for a live load of 20.0psf on the bottom chord in all areas where a rectangle 3-6-0 tall by 2-0-0 wide will fit between the bottom chord and any other members.
 - Provide mechanical connection (by others) of truss to bearing plate capable of withstanding 100 lb uplift at joint(s) except (jt=lb) A=614, E=649.
 - This truss is designed in accordance with the 2018 International Building Code section 2306.1 and referenced standard ANSI/TPI 1.
 - Hanger(s) or other connection device(s) shall be provided sufficient to support concentrated load(s) 1428 lb down and 174 lb up at 2-0-4, 1428 lb down and 174 lb up at 4-0-4, 1428 lb down and 174 lb up at 6-0-4, 1428 lb down and 174 lb up at 8-0-4, 1428 lb down and 174 lb up at 10-0-4, and 1428 lb down and 174 lb up at 12-0-4, and 1428 lb down and 174 lb up at 14-0-4 on bottom chord. The design/selection of such connection device(s) is the responsibility of others.

LOAD CASE(S) Standard
Continued on page 2



September 12, 2024

WARNING - Verify design parameters and READ NOTES ON THIS AND INCLUDED MITEK REFERENCE PAGE MII-7473 rev. 6/30/2020 BEFORE USE.
Design valid for use only with MiTek® connectors. This design is based only upon parameters shown, and is for an individual building component, not a truss system. Before use, the building designer must verify the applicability of design parameters and properly incorporate this design into the overall building design. Bracing indicated is to prevent buckling of individual truss web and/or chord members only. Additional temporary and permanent bracing is always required for stability and to prevent collapse with possible personal injury and property damage. For general guidance regarding the fabrication, storage, delivery, erection and bracing of trusses and truss systems, see **ANSI/TPI1 Quality Criteria, DSB-89 and BCSI Building Component Safety Information** available from Truss Plate Institute, 2670 Crain Highway, Suite 203 Waldorf, MD 20601



Job	Truss	Truss Type	Qty	Ply	Buildings A-H	U1530843
N0653A	G4	Common Girder	2	2	Job Reference (optional)	

Alliance Truss (CA), Abbotsford, BC - V2S 7P6,

8.820 s Aug 30 2024 MiTek Industries, Inc. Thu Sep 12 02:48:06 2024 Page 2
 ID:hFyjDMxrTsEK_kgkR0vWWWzFIgc-8i8yvq3F?xqU2krabuzD?50Y?r6ktDIYHgrpKuyeVr7

LOAD CASE(S) Standard

1) Dead + Snow (balanced): Lumber Increase=1.15, Plate Increase=1.15

Uniform Loads (plf)

Vert: A-C=-74, C-E=-74, I-L=-20

Concentrated Loads

Vert: G=-138

PRMU20240282 BLDG E 7(B) T=-1387(B) U=-1387(B)

WARNING - Verify design parameters and READ NOTES ON THIS AND INCLUDED MITEK REFERENCE PAGE MII-7473 rev. 6/30/2020 BEFORE USE.

Design valid for use only with MiTek® connectors. This design is based only upon parameters shown, and is for an individual building component, not a truss system. Before use, the building designer must verify the applicability of design parameters and properly incorporate this design into the overall building design. Bracing indicated is to prevent buckling of individual truss web and/or chord members only. Additional temporary and permanent bracing is always required for stability and to prevent collapse with possible personal injury and property damage. For general guidance regarding the fabrication, storage, delivery, erection and bracing of trusses and truss systems, see

ANSI/TPI1 Quality Criteria, DSB-89 and BCSI Building Component

Safety Information available from Truss Plate Institute, 2670 Crain Highway, Suite 203 Waldorf, MD 20601



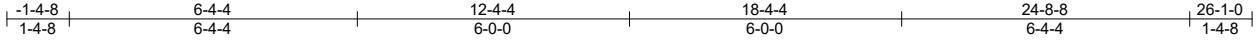
240 Stirling Crescent
 Bradford, ON. L3Z 4L5

Job N0653A	Truss H1	Truss Type GABLE	Qty 7	Ply 1	Buildings A-H Job Reference (optional)	U1530779
---------------	-------------	---------------------	----------	----------	---	----------

Alliance Truss (CA), Abbotsford, BC - V2S 7P6,

8.630 s Jul 12 2024 MiTek Industries, Inc. Thu Sep 12 02:47:29 2024 Page 1

ID:hFyjDMxrTsEK_kgkR0vWWVzFgC-RfC?PsB70Hq3NSgPqnL8w3ulTXbGKWrCDoi7J4zJC?F



4x5 ||

Scale = 1:50.8

PRMU20240282 BLDG E

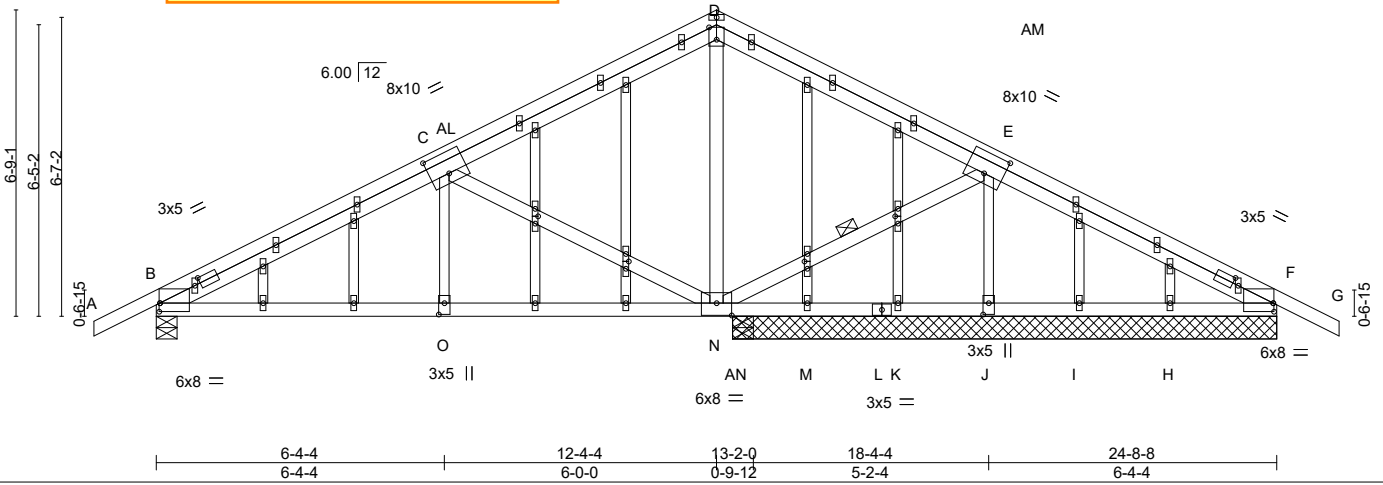


Plate Offsets (X,Y)-- [B:0-0-3,0-2-4], [B:0-11-15,0-1-8], [C:0-5-0,0-5-8], [D:0-3-4,0-2-0], [E:0-5-0,0-5-8], [F:0-11-15,0-1-8], [F:0-0-3,0-2-4], [J:0-3-0,0-1-8], [N:0-4-0,0-3-4], [O:0-3-0,0-1-8], [P:0-1-15,0-0-12], [S:0-1-15,0-0-12], [AA:0-1-15,0-0-12], [AC:0-1-15,0-0-12]

LOADING (psf)	SPACING-	CSI.	DEFL.	in (loc)	l/defl	L/d	PLATES	GRIP
TCLL 25.0 (Roof Snow=25.0)	2-0-0	TC 0.88	Vert(LL) -0.08	N-O	>999	360	MT20	197/144
TCDL 12.0	Plate Grip DOL 1.15	BC 0.66	Vert(CT) -0.09	O-AH	>999	240		
BCLL 0.0 *	Lumber DOL 1.15	WB 0.92	Horz(CT) 0.04	J	n/a	n/a		
BCDL 10.0	Rep Stress Incr YES	Matrix-MS	Wind(LL) 0.11	O-AH	>999	240	Weight: 139 lb	FT = 20%
	Code IBC2018/TPI2014							

LUMBER-
TOP CHORD 2x4 SPF 2100F 1.8E *Except*
B-D,D-F: 2x4 SPF No.2
BOT CHORD 2x4 SPF 2100F 1.8E
WEBS 2x4 SPF No.2 *Except*
E-J,C-O: 2x3 SPF No.2
OTHERS 2x3 SPF No.2

BRACING-
TOP CHORD Structural wood sheathing directly applied or 2-11-6 oc purlins.
BOT CHORD Rigid ceiling directly applied or 4-4-1 oc bracing.
WEBS 1 Row at midpt E-N

REACTIONS. All bearings 12-0-0 except (jt=length) B=0-5-8.
(lb) - Max Horz B=153(LC 49)
Max Uplift All uplift 100 lb or less at joint(s) M except B=957(LC 40), N=1988(LC 40), J=1528(LC 43), I=111(LC 55), H=469(LC 42), F=1647(LC 43)
Max Grav All reactions 250 lb or less at joint(s) M, K, I except B=1208(LC 29), N=2470(LC 29), N=1088(LC 1), J=1567(LC 38), H=533(LC 39), F=1690(LC 52), F=294(LC 1)

FORCES. (lb) - Max. Comp./Max. Ten. - All forces 250 (lb) or less except when shown.
TOP CHORD B-C=2014/1784, C-D=1270/1422, D-E=2878/2936, E-F=3031/3017
BOT CHORD B-O=1700/1900, N-O=1700/1900, M-N=3202/3239, K-M=2389/2423, J-K=1401/1438, I-J=560/597, H-I=1549/1585, F-H=2350/2387
WEBS D-N=1405/1227, E-N=1655/1672, E-J=1556/1573, C-N=858/367, C-O=77/261

- NOTES-**
- 1) Wind: ASCE 7-16; Vult=115mph (3-second gust) Vasd=91mph; TCDL=4.2psf; BCDL=5.0psf; h=30ft; Ke=1.00; Cat. II; Exp B; Enclosed; MWFRS (envelope) gable end zone; cantilever left and right exposed ; end vertical left and right exposed; Lumber DOL=1.33 plate grip DOL=1.33
 - 2) Truss designed for wind loads in the plane of the truss only. For studs exposed to wind (normal to the face), see Standard Industry Gable End Details as applicable, or consult qualified building designer as per ANSI/TPI 1.
 - 3) TCLL: ASCE 7-16; Pf=25.0 psf (Lum DOL=1.15 Plate DOL=1.15); Is=1.0; Rough Cat B; Partially Exp.; Ce=1.0; Cs=1.00; Ct=1.10
 - 4) Unbalanced snow loads have been considered for this design.
 - 5) This truss has been designed for greater of min roof live load of 18.0 psf or 2.00 times flat roof load of 25.0 psf on overhangs non-concurrent with other live loads.
 - 6) All plates are 1.5x4 MT20 unless otherwise indicated.
 - 7) Gable studs spaced at 2-0-0 oc.
 - 8) This truss has been designed for a 10.0 psf bottom chord live load nonconcurrent with any other live loads.
 - 9) * This truss has been designed for a live load of 20.0psf on the bottom chord in all areas where a rectangle 3-6-0 tall by 2-0-0 wide will fit between the bottom chord and any other members.
 - 10) Provide mechanical connection (by others) of truss to bearing plate capable of withstanding 100 lb uplift at joint(s) M except (jt=lb) B=957, N=1988, J=1528, I=111, H=469, F=1647, F=1647.
 - 11) This truss is designed in accordance with the 2018 International Building Code section 2306.1 and referenced standard ANSI/TPI



September 12, 2024

Continued on page 2

WARNING - Verify design parameters and READ NOTES ON THIS AND INCLUDED MITEK REFERENCE PAGE MII-7473 rev. 6/30/2020 BEFORE USE.
Design valid for use only with MiTek® connectors. This design is based only upon parameters shown, and is for an individual building component, not a truss system. Before use, the building designer must verify the applicability of design parameters and properly incorporate this design into the overall building design. Bracing indicated is to prevent buckling of individual truss web and/or chord members only. Additional temporary and permanent bracing is always required for stability and to prevent collapse with possible personal injury and property damage. For general guidance regarding the fabrication, storage, delivery, erection and bracing of trusses and truss systems, see **ANSI/TPI1 Quality Criteria, DSB-89 and BCSI Building Component Safety Information** available from Truss Plate Institute, 2670 Crain Highway, Suite 203 Waldorf, MD 20601



Job	Truss	Truss Type	Qty	Ply	Buildings A-H	U1530779
N0653A	H1	GABLE	7	1	Job Reference (optional)	

Alliance Truss (CA), Abbotsford, BC - V2S 7P6,

8.630 s Jul 12 2024 MiTek Industries, Inc. Thu Sep 12 02:47:29 2024 Page 2
 ID:hFyjDMxrTsEK_kgkR0vWWVzFigc-RfC?PsB70Hq3NSgPqnL8w3ulTXbGKWrCDoi7J4zJC?f

NOTES-

12) This truss has been designed for a total drag load of 240 plf. Lumber DOL=(1.33) Plate grip DOL=(1.33) Connect truss to resist drag loads along bottom chord from

PRMU20240282 BLDG E

from left end and 10408 from right end or 12" along rake from scarf, whichever is larger. Minimum 1.5x4 tie plates required at 2'-0" o.c. maximum between the stacking chords. For edge-wise notching, provide at least one tie plate between each notch.

WARNING - Verify design parameters and READ NOTES ON THIS AND INCLUDED MITEK REFERENCE PAGE MII-7473 rev. 6/30/2020 BEFORE USE.

Design valid for use only with MiTek® connectors. This design is based only upon parameters shown, and is for an individual building component, not a truss system. Before use, the building designer must verify the applicability of design parameters and properly incorporate this design into the overall building design. Bracing indicated is to prevent buckling of individual truss web and/or chord members only. Additional temporary and permanent bracing is always required for stability and to prevent collapse with possible personal injury and property damage. For general guidance regarding the fabrication, storage, delivery, erection and bracing of trusses and truss systems, see

ANSI/TPI1 Quality Criteria, DSB-89 and BCSI Building Component

Safety Information available from Truss Plate Institute, 2670 Crain Highway, Suite 203 Waldorf, MD 20601

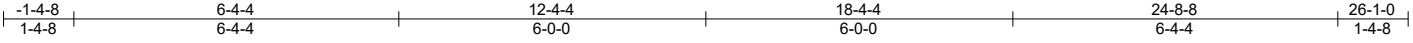


240 Stirling Crescent
 Bradford, ON. L3Z 4L5

Job	Truss	Truss Type	Qty	Ply	Buildings A-H	U1530780
N0653A	H2	Common	7	1		

Alliance Truss (CA), Abbotsford, BC - V2S 7P6, 8.630 s Jul 12 2024 MiTek Industries, Inc. Thu Sep 12 02:47:29 2024 Page 1

ID:hFyjDMxrTsEK_kgkR0vWWVzFfgc-RfC?PsB70Hq3NSgPqnL8w3ulTXbGKWrCDoi7J4zJC?f



Scale = 1:45.0

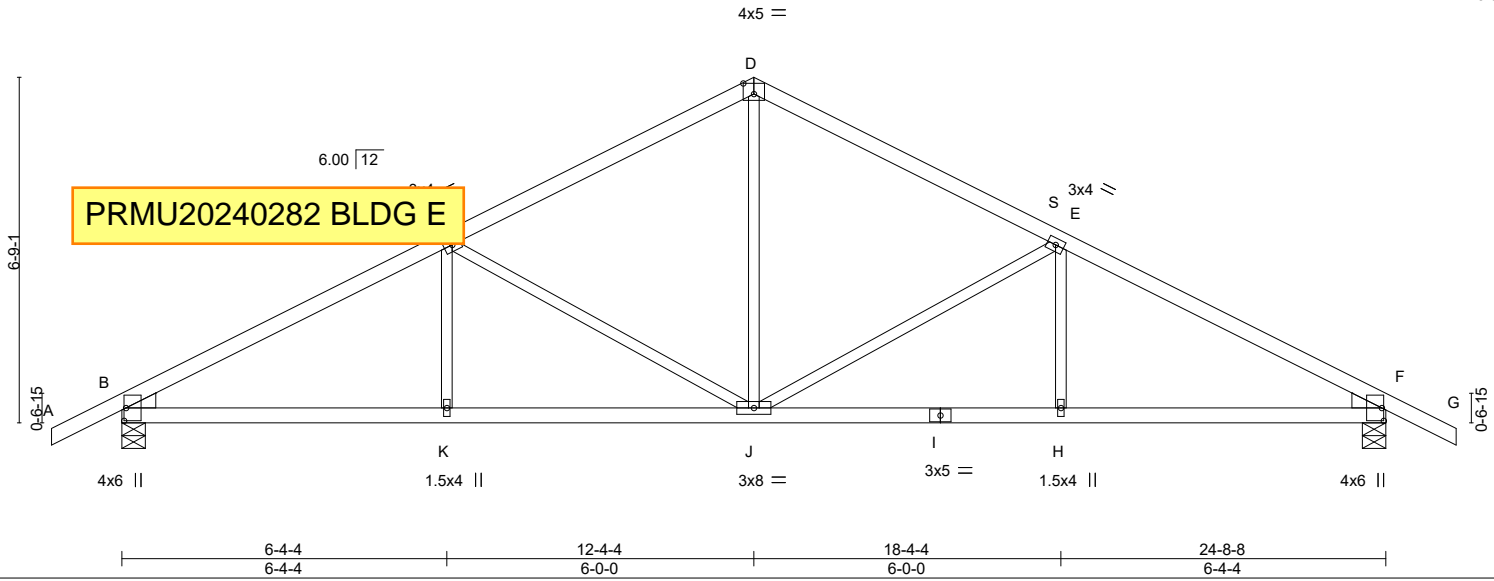


Plate Offsets (X,Y)-- [B:0-3-0,0-0-7], [D:0-2-8,0-2-8], [F:0-3-0,0-0-7]

LOADING (psf)	SPACING-	CSI.	DEFL.	PLATES	GRIP
TCLL 25.0 (Roof Snow=25.0)	2-0-0 Plate Grip DOL 1.15 Lumber DOL 1.15	TC 0.81 BC 0.62 WB 0.83 Matrix-MS	in (loc) l/defl L/d Vert(LL) -0.09 J-K >999 360 Vert(CT) -0.17 J-K >999 240 Horz(CT) 0.06 F n/a n/a Wind(LL) 0.04 H-J >999 240	MT20	197/144
TCDL 12.0	Rep Stress Incr YES			Weight: 86 lb	FT = 20%
BCLL 0.0 *	Code IBC2018/TPI2014				
BCDL 10.0					

LUMBER-
TOP CHORD 2x4 SPF No.2
BOT CHORD 2x4 SPF No.2
WEBS 2x3 SPF No.2
WEDGE
Left: 2x4 SPF No.2, Right: 2x4 SPF No.2

BRACING-
TOP CHORD Structural wood sheathing directly applied or 2-2-0 oc purlins.
BOT CHORD Rigid ceiling directly applied or 10-0-0 oc bracing.

REACTIONS. (size) B=0-5-8, F=0-5-8
Max Horz B=-90(LC 11)
Max Uplift B=-119(LC 10), F=-119(LC 11)
Max Grav B=1287(LC 17), F=1287(LC 18)

FORCES. (lb) - Max. Comp./Max. Ten. - All forces 250 (lb) or less except when shown.
TOP CHORD B-C=-1988/155, C-D=-1373/137, D-E=-1373/137, E-F=-1988/155
BOT CHORD B-K=-152/1701, J-K=-152/1701, H-J=-62/1701, F-H=-62/1701
WEBS D-J=-23/716, E-J=-705/149, C-J=-705/149

- NOTES-**
- 1) Wind: ASCE 7-16; Vult=115mph (3-second gust) Vasd=91mph; TCDL=4.2psf; BCDL=5.0psf; h=30ft; Ke=1.00; Cat. II; Exp B; Enclosed; MWFRS (envelope) gable end zone; cantilever left and right exposed; end vertical left and right exposed; Lumber DOL=1.33 plate grip DOL=1.33
 - 2) TCLL: ASCE 7-16; Pf=25.0 psf (Lum DOL=1.15 Plate DOL=1.15); Is=1.0; Rough Cat B; Partially Exp.; Ce=1.0; Cs=1.00; Ct=1.10
 - 3) Unbalanced snow loads have been considered for this design.
 - 4) This truss has been designed for greater of min roof live load of 18.0 psf or 2.00 times flat roof load of 25.0 psf on overhangs non-concurrent with other live loads.
 - 5) This truss has been designed for a 10.0 psf bottom chord live load nonconcurrent with any other live loads.
 - 6) * This truss has been designed for a live load of 20.0psf on the bottom chord in all areas where a rectangle 3-6-0 tall by 2-0-0 wide will fit between the bottom chord and any other members.
 - 7) Provide mechanical connection (by others) of truss to bearing plate capable of withstanding 100 lb uplift at joint(s) except (jt=lb) B=119, F=119.
 - 8) This truss is designed in accordance with the 2018 International Building Code section 2306.1 and referenced standard ANSI/TPI 1.



September 12, 2024

Job N0653A	Truss H3	Truss Type Common Girder	Qty 7	Ply 2	Buildings A-H Job Reference (optional)	U1530781
---------------	-------------	-----------------------------	----------	----------	---	----------

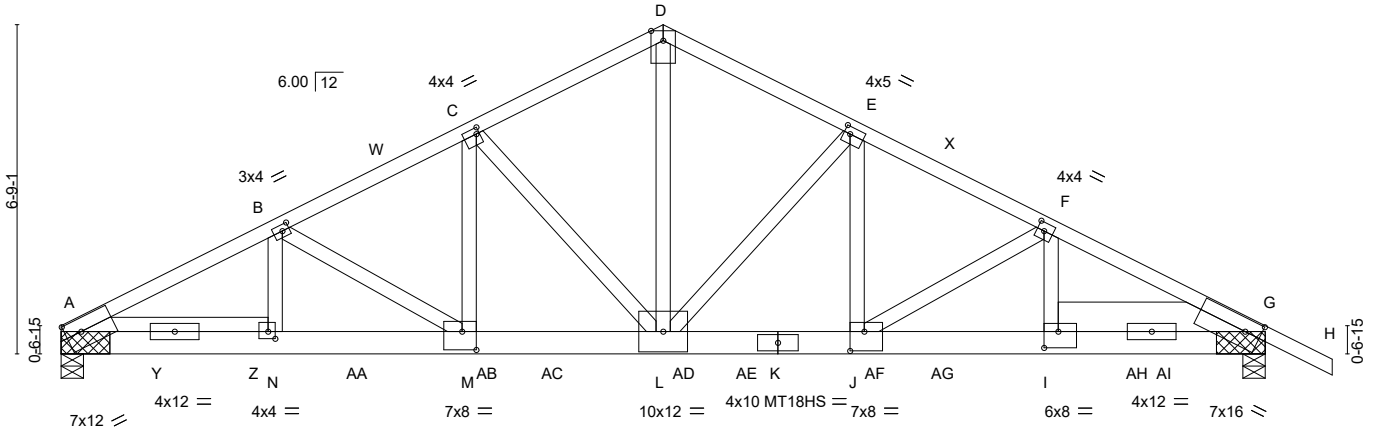
Alliance Truss (CA), Abbotsford, BC - V2S 7P6, 8.630 s Jul 12 2024 MiTek Industries, Inc. Thu Sep 12 02:47:31 2024 Page 1

ID:hFyjDMxrTsEK_kgkR0vWWVzFlgc-RfC?PsB70Hq3NSgPqnL8w3ulTXbGKWrCDoi7J4zJC?F

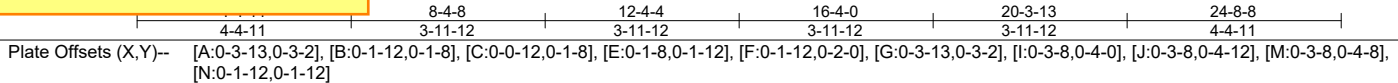


6x8 ||

Scale = 1:47.3



PRMU20240282 BLDG E



LOADING (psf)	SPACING-	CSI.	DEFL.	in (loc)	l/defl	L/d	PLATES	GRIP
TCLL 25.0 (Roof Snow=25.0)	2-0-0 Plate Grip DOL 1.15 Lumber DOL 1.15	TC 0.93 BC 0.63	Vert(LL) -0.21 Vert(CT) -0.39	L-M	>999	360	MT20	197/144
TCDL 12.0	Rep Stress Incr NO	WB 0.97	Horz(CT) 0.08	G	n/a	n/a	MT18HS	220/195
BCLL 0.0 *	Code IBC2018/TPI2014	Matrix-MS	Wind(LL) 0.11	L-M	>999	240		
BCDL 10.0							Weight: 302 lb	FT = 20%

LUMBER-
TOP CHORD 2x4 SPF No.2 *Except*
D-H: 2x4 SPF 2100F 1.8E
BOT CHORD 2x6 DF 2400F 2.0E
WEBS 2x4 SPF No.2
SLIDER Left 2x4 SPF No.2 3-10-0, Right 2x8 SPF 1950F 1.7E 3-10-0

BRACING-
TOP CHORD Structural wood sheathing directly applied or 2-1-4 oc purlins.
BOT CHORD Rigid ceiling directly applied or 10-0-0 oc bracing.

REACTIONS. (size) A=(0-5-8 + bearing block) (req. 0-6-3), G=(0-5-8 + bearing block) (req. 0-6-13)
Max Horz A=-100(LC 15)
Max Uplift A=-865(LC 10), G=-971(LC 11)
Max Grav A=7891(LC 3), G=8683(LC 4)

FORCES. (lb) - Max. Comp./Max. Ten. - All forces 250 (lb) or less except when shown.
TOP CHORD A-B=-13476/1480, B-C=-11809/1305, C-D=-9158/1041, D-E=-9156/1042, E-F=-11891/1312, F-G=-14169/1551
BOT CHORD A-N=-987/8499, M-N=-1349/11987, L-M=-1139/10537, J-L=-1079/10604, I-J=-1326/12642, G-I=-855/8046
WEBS D-L=-861/7872, E-L=-3721/471, E-J=-381/3627, F-J=-2380/315, F-I=-223/2040, C-L=-3621/460, C-M=-368/3496, B-M=-1695/245, B-N=-156/1470

- NOTES-**
- 2-ply truss to be connected together with 10d (0.131"x3") nails as follows:
Top chords connected as follows: 2x4 - 1 row at 0-3-0 oc.
Bottom chords connected as follows: 2x6 - 2 rows staggered at 0-5-0 oc.
Webs connected as follows: 2x4 - 1 row at 0-9-0 oc.
 - All loads are considered equally applied to all plies, except if noted as front (F) or back (B) face in the LOAD CASE(S) section. Ply to ply connections have been provided to distribute only loads noted as (F) or (B), unless otherwise indicated.
 - 2x6 DF 2400F 2.0E bearing block 12" long at jt. A attached to each face with 3 rows of 10d (0.131"x3") nails spaced 3" o.c. 12 Total fasteners per block. Bearing is assumed to be SPF No.2.
 - 2x6 DF 2400F 2.0E bearing block 12" long at jt. G attached to each face with 3 rows of 10d (0.131"x3") nails spaced 3" o.c. 12 Total fasteners per block. Bearing is assumed to be SPF No.2.
 - Wind: ASCE 7-16; Vult=115mph (3-second gust) Vasd=91mph; TCDL=4.2psf; BCDL=5.0psf; h=30ft; Ke=1.00; Cat. II; Exp B; Enclosed; MWFRS (envelope) gable end zone; cantilever left and right exposed; end vertical left and right exposed; Lumber DOL=1.33 plate grip DOL=1.33
 - TCLL: ASCE 7-16; Pf=25.0 psf (Lum DOL=1.15 Plate DOL=1.15); Is=1.0; Rough Cat B; Partially Exp.; Ce=1.0; Cs=1.00; Ct=1.10
 - Unbalanced snow loads have been considered for this design.
 - This truss has been designed for greater of min roof live load of 18.0 psf or 2.00 times flat roof load of 25.0 psf on overhangs non-concurrent with other live loads.
 - All plates are MT20 plates unless otherwise indicated.
 - This truss has been designed for a 10.0 psf bottom chord live load nonconcurrent with any other live loads.



September 12, 2024

Continued on page 2

WARNING - Verify design parameters and READ NOTES ON THIS AND INCLUDED MITEK REFERENCE PAGE MII-7473 rev. 6/30/2020 BEFORE USE.
Design valid for use only with MiTek® connectors. This design is based only upon parameters shown, and is for an individual building component, not a truss system. Before use, the building designer must verify the applicability of design parameters and properly incorporate this design into the overall building design. Bracing indicated is to prevent buckling of individual truss web and/or chord members only. Additional temporary and permanent bracing is always required for stability and to prevent collapse with possible personal injury and property damage. For general guidance regarding the fabrication, storage, delivery, erection and bracing of trusses and truss systems, see **ANSI/TPI1 Quality Criteria, DSB-89 and BCSI Building Component Safety Information** available from Truss Plate Institute, 2670 Crain Highway, Suite 203 Waldorf, MD 20601

240 Stirling Crescent
Bradford, ON. L3Z 4L5

Job	Truss	Truss Type	Qty	Ply	Buildings A-H	U1530781
N0653A	H3	Common Girder	7	2	Job Reference (optional)	

Alliance Truss (CA), Abbotsford, BC - V2S 7P6,

8.630 s Jul 12 2024 MiTek Industries, Inc. Thu Sep 12 02:47:31 2024 Page 2
ID:hFyjDMxrTsEK_kgkR0vWWVzFgc-RfC?PsB70Hq3NSgPqnL8w3ulTXbGKWrCDoi7J4zJC?f

NOTES-

- 11) * This truss has been designed for a live load of 20.0psf on the bottom chord in all areas where a rectangle 3-6-0 tall by 2-0-0 wide will fit between the bottom chord and any other members.
- 12) Provide mechanical connection (by others) of truss to bearing plate capable of withstanding 100 lb uplift at joint(s) except (jt=lb) A=865, G=971.
- 13) This truss is designed in accordance with the 2018 International Building Code section 2306.1 and referenced standard ANSI/TPI 1.
- 14) Hanger(s) or other connection device(s) shall be provided sufficient to support concentrated load(s) 1205 lb down and 145 lb up at 2-0-4, 1205 lb down and 145 lb up at 4-0-4, 1205 lb down and 145 lb up at 6-0-4, 1205 lb down and 145 lb up at 8-0-4, 1205 lb down and 145 lb up at 10-0-4, 1205 lb down and 145 lb up at 12-0-4, 1205 lb down and 145 lb up at 14-0-4, 1205 lb down and 145 lb up at 16-0-4, 1205 lb down and 145 lb up at 18-0-4, 1205 lb down and 145 lb up at 20-0-4, and 1205 lb down and 145 lb up at 22-0-4. and 1205 lb down and 145 lb up at 22-7-12 on bottom chord. The design/selection of such connection device(s) is the responsibility of others.

LOAD CASE PRMU20240282 BLDG E

1) Dead + Snow (balanced): Lumber increase=1.15, Plate increase=1.15

Uniform Loads (plf)

Vert: A-D=-74, D-H=-74, O-S=-20

Concentrated Loads (lb)

Vert: I=-1175(F) Y=-1175(F) Z=-1175(F) AA=-1175(F) AB=-1175(F) AC=-1175(F) AD=-1175(F) AE=-1175(F) AF=-1175(F) AG=-1175(F) AH=-1175(F) AI=-1175(F)

WARNING - Verify design parameters and READ NOTES ON THIS AND INCLUDED MITEK REFERENCE PAGE MII-7473 rev. 6/30/2020 BEFORE USE.

Design valid for use only with MiTek® connectors. This design is based only upon parameters shown, and is for an individual building component, not a truss system. Before use, the building designer must verify the applicability of design parameters and properly incorporate this design into the overall building design. Bracing indicated is to prevent buckling of individual truss web and/or chord members only. Additional temporary and permanent bracing is always required for stability and to prevent collapse with possible personal injury and property damage. For general guidance regarding the fabrication, storage, delivery, erection and bracing of trusses and truss systems, see

Safety Information available from Truss Plate Institute, 2670 Crain Highway, Suite 203 Waldorf, MD 20601



240 Stirling Crescent
Bradford, ON. L3Z 4L5

Job	Truss	Truss Type	Qty	Ply	Buildings A-H	U1530844
N0653A	K1	GABLE	13	2		

Alliance Truss (CA), Abbotsford, BC - V2S 7P6,

8.820 s Aug 30 2024 MiTek Industries, Inc. Thu Sep 12 02:48:07 2024 Page 1

ID:hFyjDMxrTsEK_kgkR0vWWVzFfgc-cvIL6A4tmEyLguQm9bUSXIYiWfQXcjhWkaMsKyeVr6

4-7-2 | 8-9-5 | 12-4-4 | 13-2-0
 4-7-2 | 4-2-3 | 3-6-15 | 0-9-12

PRMU20240282 BLDG E

3x8 =
 5x10 ||
 2x4 =

Scale = 1:46.3

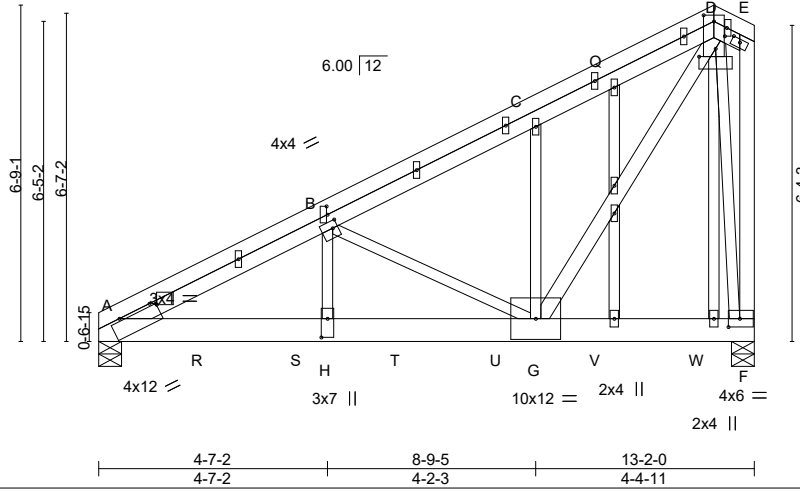


Plate Offsets (X,Y)-- [A:0-9-8,0-0-10], [B:0-1-4,0-1-12], [B:0-2-0,0-0-4], [D:0-4-0,0-1-15], [D:0-1-8,0-2-8], [D:0-2-0,0-0-8], [E:0-2-0,0-0-12], [F:0-2-12,0-2-0], [H:0-4-8,0-1-8], [O:0-1-12,0-0-4]

LOADING (psf)	SPACING-	CSI.	DEFL.	in (loc)	l/defl	L/d	PLATES	GRIP
TCLL 25.0	2-0-0	TC 0.58	Vert(LL)	-0.10	G-H	>999	MT20	197/144
(Roof Snow=25.0)	Plate Grip DOL 1.15	BC 0.58	Vert(CT)	-0.17	G-H	>878		
TCDL 12.0	Lumber DOL 1.15	WB 0.81	Horz(CT)	0.02	F	n/a		
BCLL 0.0 *	Rep Stress Incr NO	Matrix-MS	Wind(LL)	0.05	G-H	>999		
BCDL 10.0	Code IBC2018/TPI2014						Weight: 175 lb	FT = 20%

LUMBER-	BRACING-
TOP CHORD 2x4 SPF No.2	TOP CHORD Structural wood sheathing directly applied or 3-11-13 oc purlins, except end verticals.
BOT CHORD 2x6 SPF 2100F 1.8E	BOT CHORD Rigid ceiling directly applied or 10-0-0 oc bracing.
WEBS 2x3 SPF No.2 *Except*	
D-G,E-F: 2x4 SPF No.2	
OTHERS 2x3 SPF No.2	

REACTIONS. (size) A=0-5-8, F=0-5-8
 Max Horz A=176(LC 28)
 Max Uplift A=-532(LC 10), F=-630(LC 10)
 Max Grav A=4676(LC 3), F=5224(LC 3)

FORCES. (lb) - Max. Comp./Max. Ten. - All forces 250 (lb) or less except when shown.
 TOP CHORD A-B=-7751/879, B-C=-4320/502, C-D=-4340/566, E-F=-326/86
 BOT CHORD A-H=-861/7096, G-H=-862/7105, F-G=-99/451
 WEBS B-H=-270/2565, B-G=-3686/477, C-G=-331/119, D-G=-833/6615, D-F=-3640/457

- NOTES-**
- 2-ply truss to be connected together with 10d (0.131"x3") nails as follows:
 Top chords connected as follows: 2x4 - 1 row at 0-7-0 oc.
 Bottom chords connected as follows: 2x6 - 2 rows staggered at 0-5-0 oc.
 Webs connected as follows: 2x3 - 1 row at 0-9-0 oc, 2x4 - 1 row at 0-9-0 oc.
 - All loads are considered equally applied to all plies, except if noted as front (F) or back (B) face in the LOAD CASE(S) section. Ply to ply connections have been provided to distribute only loads noted as (F) or (B), unless otherwise indicated.
 - Wind: ASCE 7-16; Vult=115mph (3-second gust) Vasd=91mph; TCDL=4.2psf; BCDL=5.0psf; h=30ft; Ke=1.00; Cat. II; Exp B; Enclosed; MWFRS (envelope) gable end zone; cantilever left and right exposed; end vertical left and right exposed; Lumber DOL=1.33 plate grip DOL=1.33
 - Truss designed for wind loads in the plane of the truss only. For studs exposed to wind (normal to the face), see Standard Industry Gable End Details as applicable, or consult qualified building designer as per ANSI/TPI 1.
 - TCLL: ASCE 7-16; Pf=25.0 psf (Lum DOL = 1.15 Plate DOL = 1.15); ls=1.0; Rough Cat B; Partially Exp.; Ce=1.0; Cs=1.00; Ct=1.10
 - Unbalanced snow loads have been considered for this design.
 - All plates are 1.5x4 MT20 unless otherwise indicated.
 - Gable studs spaced at 2-0-0 oc.
 - This truss has been designed for a 10.0 psf bottom chord live load nonconcurrent with any other live loads.
 - * This truss has been designed for a live load of 20.0psf on the bottom chord in all areas where a rectangle 3-6-0 tall by 2-0-0 wide will fit between the bottom chord and any other members.
 - Provide mechanical connection (by others) of truss to bearing plate capable of withstanding 100 lb uplift at joint(s) except (jt=lb) A=532, F=630.
 - This truss is designed in accordance with the 2018 International Building Code section 2306.1 and referenced standard ANSI/TPI 1.



September 12, 2024

Continued on page 2

WARNING - Verify design parameters and READ NOTES ON THIS AND INCLUDED MITEK REFERENCE PAGE MII-7473 rev. 6/30/2020 BEFORE USE.
 Design valid for use only with MiTek® connectors. This design is based only upon parameters shown, and is for an individual building component, not a truss system. Before use, the building designer must verify the applicability of design parameters and properly incorporate this design into the overall building design. Bracing indicated is to prevent buckling of individual truss web and/or chord members only. Additional temporary and permanent bracing is always required for stability and to prevent collapse with possible personal injury and property damage. For general guidance regarding the fabrication, storage, delivery, erection and bracing of trusses and truss systems, see **ANSI/TPI1 Quality Criteria, DSB-89 and BCSI Building Component Safety Information** available from Truss Plate Institute, 2670 Crain Highway, Suite 203 Waldorf, MD 20601



Job	Truss	Truss Type	Qty	Ply	Buildings A-H	U1530844
N0653A	K1	GABLE	13	2	Job Reference (optional)	

Alliance Truss (CA), Abbotsford, BC - V2S 7P6,

8.820 s Aug 30 2024 MiTek Industries, Inc. Thu Sep 12 02:48:07 2024 Page 2
ID:hFyjDMxrTsEK_kgkR0vWWVzFlgc-cvIL6A4tmEyLguQm9bUSXIYiWfQXcjzhWkaMsKyeVr6

NOTES-

13) Hanger(s) or other connection device(s) shall be provided sufficient to support concentrated load(s) 1476 lb down and 180 lb up at 2-0-4, 1476 lb down and 180 lb up at 4-0-4, 1476 lb down and 180 lb up at 6-0-4, 1476 lb down and 180 lb up at 8-0-4, and 1476 lb down and 180 lb up at 10-0-4, and 1476 lb down and 180 lb up at 12-0-4. The responsibility for each connection device(s) is the responsibility of others.

PRMU20240282 BLDG E

12" from left end and 0-0-0 from right end or 12" along rake from scarf, whichever is larger. Minimum 1.5x4 tie plates required at eaves. For edge-wise notching, provide at least one tie plate between each notch.

15) Studding applied to ply: 1(Front)

LOAD CASE(S) Standard

1) Dead + Snow (balanced): Lumber Increase=1.15, Plate Increase=1.15

Uniform Loads (plf)

Vert: A-D=-74, D-E=-74, F-N=-20

Concentrated Loads (lb)

Vert: R=-1434(F) S=-1434(F) T=-1434(F) U=-1434(F) V=-1434(F) W=-1434(F)

WARNING - Verify design parameters and READ NOTES ON THIS AND INCLUDED MITEK REFERENCE PAGE MII-7473 rev. 6/30/2020 BEFORE USE.

Design valid for use only with MiTek® connectors. This design is based only upon parameters shown, and is for an individual building component, not a truss system. Before use, the building designer must verify the applicability of design parameters and properly incorporate this design into the overall building design. Bracing indicated is to prevent buckling of individual truss web and/or chord members only. Additional temporary and permanent bracing is always required for stability and to prevent collapse with possible personal injury and property damage. For general guidance regarding the fabrication, storage, delivery, erection and bracing of trusses and truss systems, see

ANSI/TPI1 Quality Criteria, DSB-89 and BCSI Building Component

Safety Information available from Truss Plate Institute, 2670 Crain Highway, Suite 203 Waldorf, MD 20601



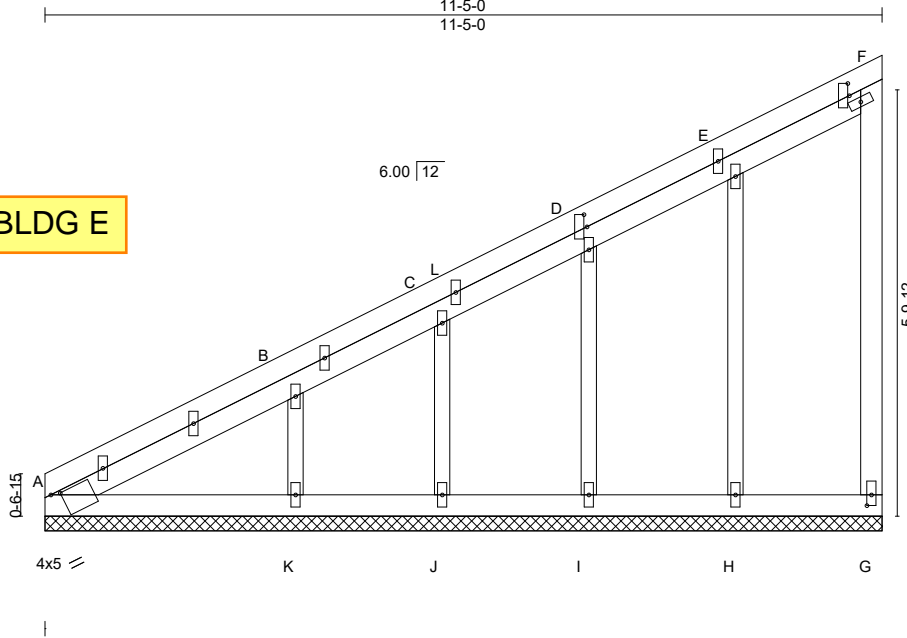
240 Stirling Crescent
Bradford, ON. L3Z 4L5

Job	Truss	Truss Type	Qty	Ply	Buildings A-H	U1530845
N0653A	K2	GABLE	13	1		

Alliance Truss (CA), Abbotsford, BC - V2S 7P6,

8.820 s Aug 30 2024 MiTek Industries, Inc. Thu Sep 12 02:48:08 2024 Page 1

ID:hFyjDMxrTsEK_kgkR0vWWVzFlgc-45GjKV5VXY4CH1?zj0h4W5tDfnlLKvrk_KvPmyeVr5



Scale = 1:31.4

Plate Offsets (X,Y)-- [A:0-1-8,0-0-7], [D:0-2-0,0-0-8], [F:0-2-0,0-0-4], [G:0-1-12,0-0-12]

LOADING (psf)	SPACING-	CSI.	DEFL.	PLATES	GRIP
TCLL 25.0 (Roof Snow=25.0)	2-0-0 Plate Grip DOL 1.15	TC 0.58	in (loc) l/defl L/d	MT20	197/144
TCDL 12.0	Lumber DOL 1.15	BC 0.55	Vert(LL) n/a - n/a 999		
BCLL 0.0 *	Rep Stress Incr YES	WB 0.13	Vert(CT) n/a - n/a 999		
BCDL 10.0	Code IBC2018/TPI2014	Matrix-S	Horz(CT) -0.03 G n/a n/a	Weight: 58 lb	FT = 20%

LUMBER-

TOP CHORD 2x4 SPF No.2
 BOT CHORD 2x4 SPF No.2
 WEBS 2x4 SPF No.2
 OTHERS 2x3 SPF No.2

BRACING-

TOP CHORD Structural wood sheathing directly applied or 3-3-9 oc purlins, except end verticals.
 BOT CHORD Rigid ceiling directly applied or 3-6-11 oc bracing.

REACTIONS.

All bearings 11-5-0.
 (lb) - Max Horz A=172(LC 34)
 Max Uplift All uplift 100 lb or less at joint(s) G, H, I, J, K except A=1292(LC 31)
 Max Grav All reactions 250 lb or less at joint(s) G, J except A=1405(LC 38), H=275(LC 16), I=276(LC 16), K=318(LC 1)

FORCES. (lb) - Max. Comp./Max. Ten. - All forces 250 (lb) or less except when shown.

TOP CHORD A-B=-3139/2996, B-C=-2237/2131, C-D=-1686/1604, D-E=-1140/1078, E-F=-587/549
 BOT CHORD A-K=-2740/2746, J-K=-1938/1925, I-J=-1459/1445, H-I=-979/965, G-H=-499/485

NOTES-

- 1) Wind: ASCE 7-16; Vult=115mph (3-second gust) Vasd=91mph; TCDL=4.2psf; BCDL=5.0psf; h=30ft; Ke=1.00; Cat. II; Exp B; Enclosed; MWFRS (envelope) gable end zone; cantilever left and right exposed; end vertical left and right exposed; Lumber DOL=1.33 plate grip DOL=1.33
- 2) Truss designed for wind loads in the plane of the truss only. For studs exposed to wind (normal to the face), see Standard Industry Gable End Details as applicable, or consult qualified building designer as per ANSI/TPI 1.
- 3) TCLL: ASCE 7-16; Pf=25.0 psf (Lum DOL = 1.15 Plate DOL = 1.15); Is=1.0; Rough Cat B; Partially Exp.; Ce=1.0; Cs=1.00; Ct=1.10
- 4) Unbalanced snow loads have been considered for this design.
- 5) All plates are 1.5x4 MT20 unless otherwise indicated.
- 6) Gable requires continuous bottom chord bearing.
- 7) Gable studs spaced at 2-0-0 oc.
- 8) This truss has been designed for a 10.0 psf bottom chord live load nonconcurrent with any other live loads.
- 9) * This truss has been designed for a live load of 20.0psf on the bottom chord in all areas where a rectangle 3-6-0 tall by 2-0-0 wide will fit between the bottom chord and any other members.
- 10) Provide mechanical connection (by others) of truss to bearing plate capable of withstanding 100 lb uplift at joint(s) G, H, I, J, K except (jt=lb) A=1292.
- 11) This truss is designed in accordance with the 2018 International Building Code section 2306.1 and referenced standard ANSI/TPI 1.
- 12) This truss has been designed for a total drag load of 240 plf. Lumber DOL=(1.33) Plate grip DOL=(1.33) Connect truss to resist drag loads along bottom chord from 0-0-0 to 11-5-0 for 240.0 plf.
- 13) No notches allowed in overhang and 0 from left end and 0 from right end or 12" along rake from scarf, whichever is larger. Minimum 1.5x4 tie plates required at 2-0-0 o.c. maximum between the stacking chords. For edge-wise notching, provide at least one tie plate between each notch.



September 12, 2024

WARNING - Verify design parameters and READ NOTES ON THIS AND INCLUDED MITEK REFERENCE PAGE MII-7473 rev. 6/30/2020 BEFORE USE.

Design valid for use only with MiTek® connectors. This design is based only upon parameters shown, and is for an individual building component, not a truss system. Before use, the building designer must verify the applicability of design parameters and properly incorporate this design into the overall building design. Bracing indicated is to prevent buckling of individual truss web and/or chord members only. Additional temporary and permanent bracing is always required for stability and to prevent collapse with possible personal injury and property damage. For general guidance regarding the fabrication, storage, delivery, erection and bracing of trusses and truss systems, see

ANSI/TPI1 Quality Criteria, DSB-89 and BCSI Building Component Safety Information available from Truss Plate Institute, 2670 Crain Highway, Suite 203 Waldorf, MD 20601



240 Stirling Crescent
 Bradford, ON. L3Z 4L5

Job	Truss	Truss Type	Qty	Ply	Buildings A-H	U1530782
N0653A	L1	Monopitch Supported Gable	7	1		

Alliance Truss (CA), Abbotsford, BC - V2S 7P6,

8.630 s Jul 12 2024 MiTek Industries, Inc. Thu Sep 12 02:47:31 2024 Page 1

ID:hFyjDMxrTsEK_kgkR0vWWVzFfgc-RfC?PsB70Hq3NSgPqnL8w3ulTXbGKWrCDoi7J4zJC?f



PRMU20240282 BLDG E

Scale = 1:10.0

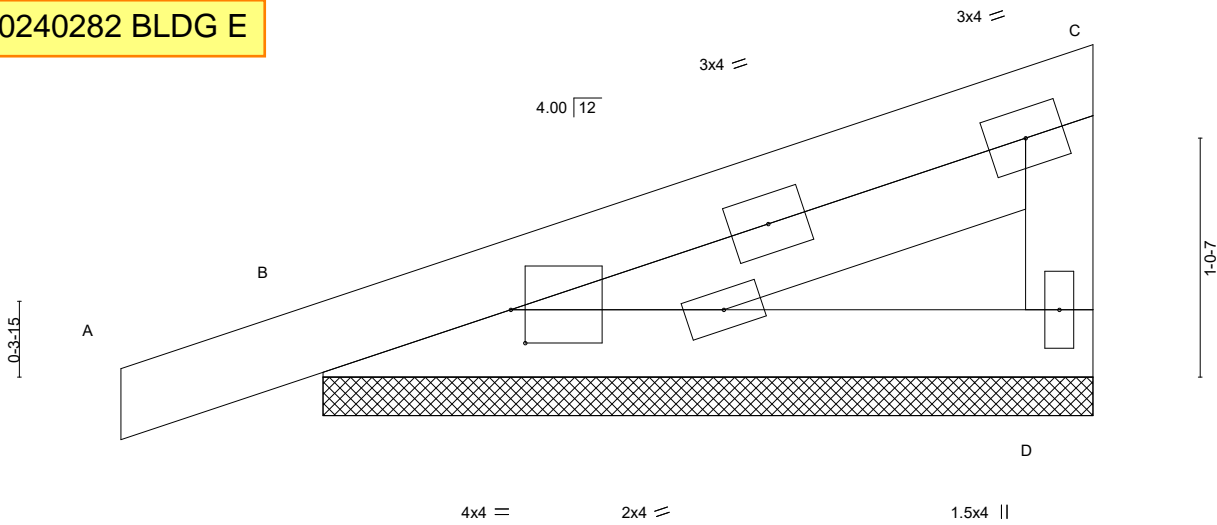


Plate Offsets (X,Y)-- [B:0-0-12,0-1-12]

LOADING (psf)	SPACING-	CSI.	DEFL.	in (loc)	l/defl	L/d	PLATES	GRIP
TCLL 25.0 (Roof Snow=25.0)	2-0-0 Plate Grip DOL 1.15	TC 0.09	Vert(LL)	-0.00	A	n/r	MT20	197/144
TCDL 12.0	Lumber DOL 1.15	BC 0.10	Vert(CT)	0.00	A	n/r		
BCLL 0.0 *	Rep Stress Incr YES	WB 0.00	Horz(CT)	-0.00	D	n/a		
BCDL 10.0	Code IBC2018/TPI2014	Matrix-P					Weight: 13 lb	FT = 20%

LUMBER-

TOP CHORD 2x4 SPF No.2
 BOT CHORD 2x4 SPF No.2
 WEBS 2x4 SPF No.2

BRACING-

TOP CHORD Structural wood sheathing directly applied or 3-4-0 oc purlins, except end verticals.
 BOT CHORD Rigid ceiling directly applied or 10-0-0 oc bracing.

REACTIONS.

(size) D=3-4-0, B=3-4-0
 Max Horz B=40(LC 7)
 Max Uplift D=-19(LC 10), B=-48(LC 6)
 Max Grav D=183(LC 17), B=297(LC 17)

FORCES. (lb) - Max. Comp./Max. Ten. - All forces 250 (lb) or less except when shown.

NOTES-

- 1) Wind: ASCE 7-16; Vult=115mph (3-second gust) Vasd=91mph; TCDL=4.2psf; BCDL=5.0psf; h=30ft; Ke=1.00; Cat. II; Exp B; Enclosed; MWFRS (envelope) gable end zone; cantilever left and right exposed; end vertical left and right exposed; Lumber DOL=1.33 plate grip DOL=1.33
- 2) Truss designed for wind loads in the plane of the truss only. For studs exposed to wind (normal to the face), see Standard Industry Gable End Details as applicable, or consult qualified building designer as per ANSI/TPI 1.
- 3) TCLL: ASCE 7-16; Pf=25.0 psf (Lum DOL=1.15 Plate DOL=1.15); Is=1.0; Rough Cat B; Partially Exp.; Ce=1.0; Cs=1.00; Ct=1.10
- 4) Unbalanced snow loads have been considered for this design.
- 5) This truss has been designed for greater of min roof live load of 20.0 psf or 2.00 times flat roof load of 25.0 psf on overhangs non-concurrent with other live loads.
- 6) Gable requires continuous bottom chord bearing.
- 7) Gable studs spaced at 2-0-0 oc.
- 8) This truss has been designed for a 10.0 psf bottom chord live load nonconcurrent with any other live loads.
- 9) * This truss has been designed for a live load of 20.0psf on the bottom chord in all areas where a rectangle 3-6-0 tall by 2-0-0 wide will fit between the bottom chord and any other members.
- 10) Provide mechanical connection (by others) of truss to bearing plate capable of withstanding 100 lb uplift at joint(s) D, B.
- 11) Beveled plate or shim required to provide full bearing surface with truss chord at joint(s) B.
- 12) This truss is designed in accordance with the 2018 International Building Code section 2306.1 and referenced standard ANSI/TPI 1.



September 12, 2024

WARNING - Verify design parameters and READ NOTES ON THIS AND INCLUDED MITEK REFERENCE PAGE MII-7473 rev. 6/30/2020 BEFORE USE.

Design valid for use only with MiTek® connectors. This design is based only upon parameters shown, and is for an individual building component, not a truss system. Before use, the building designer must verify the applicability of design parameters and properly incorporate this design into the overall building design. Bracing indicated is to prevent buckling of individual truss web and/or chord members only. Additional temporary and permanent bracing is always required for stability and to prevent collapse with possible personal injury and property damage. For general guidance regarding the fabrication, storage, delivery, erection and bracing of trusses and truss systems, see

ANSI/TPI1 Quality Criteria, DSB-89 and BCSI Building Component

Safety Information available from Truss Plate Institute, 2670 Crain Highway, Suite 203 Waldorf, MD 20601



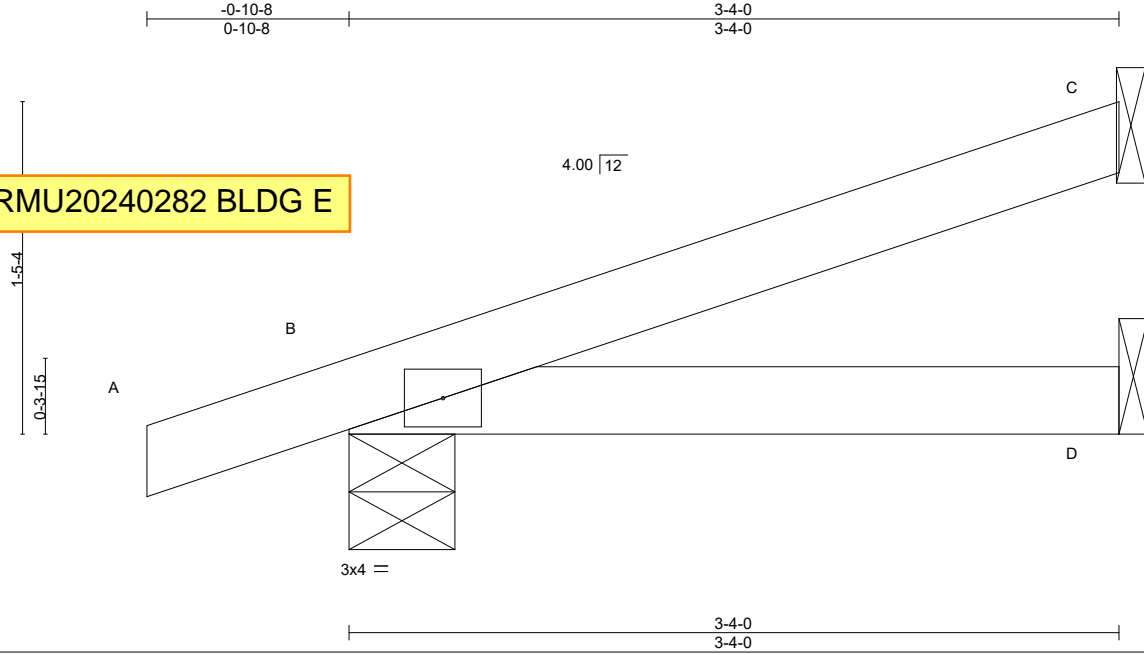
240 Stirling Crescent
 Bradford, ON. L3Z 4L5

Job	Truss	Truss Type	Qty	Ply	Buildings A-H	U1530783
N0653A	L2	Monopitch	42	1		

Alliance Truss (CA), Abbotsford, BC - V2S 7P6,

8.630 s Jul 12 2024 MiTek Industries, Inc. Thu Sep 12 02:47:32 2024 Page 1

ID:hFyjDMxrTsEK_kgkR0vWWVzFgc-RfC?PsB70Hq3NSgPqnL8w3ulTXbGKWrCDoi7J4zJC?f



LOADING (psf)	SPACING-	CSI.	DEFL.	PLATES	GRIP
TCLL 25.0	2-0-0	TC 0.17	in (loc) l/defl L/d	MT20	197/144
(Roof Snow=25.0)	Plate Grip DOL 1.15	BC 0.16	Vert(LL) -0.01 D-G >999 360		
TCDL 12.0	Lumber DOL 1.15	WB 0.00	Vert(CT) -0.02 D-G >999 240		
BCLL 0.0 *	Rep Stress Incr YES	Matrix-MP	Horz(CT) 0.00 B n/a n/a		
BCDL 10.0	Code IBC2018/TPI2014		Wind(LL) 0.00 D-G >999 240	Weight: 9 lb	FT = 20%

LUMBER-	BRACING-
TOP CHORD 2x4 SPF No.2	TOP CHORD Structural wood sheathing directly applied or 3-4-0 oc purlins.
BOT CHORD 2x4 SPF No.2	BOT CHORD Rigid ceiling directly applied or 10-0-0 oc bracing.

REACTIONS. (size) C=Mechanical, B=0-5-8, D=Mechanical
 Max Horz B=45(LC 6)
 Max Uplift C=-28(LC 10), B=-46(LC 6)
 Max Grav C=132(LC 17), B=302(LC 17), D=59(LC 5)

FORCES. (lb) - Max. Comp./Max. Ten. - All forces 250 (lb) or less except when shown.

- NOTES-**
- 1) Wind: ASCE 7-16; Vult=115mph (3-second gust) Vasd=91mph; TCDL=4.2psf; BCDL=5.0psf; h=30ft; Ke=1.00; Cat. II; Exp B; Enclosed; MWFRS (envelope) gable end zone; cantilever left and right exposed; end vertical left and right exposed; Lumber DOL=1.33 plate grip DOL=1.33
 - 2) TCLL: ASCE 7-16; Pf=25.0 psf (Lum DOL=1.15 Plate DOL=1.15); Is=1.0; Rough Cat B; Partially Exp.; Ce=1.0; Cs=1.0; Ct=1.10
 - 3) Unbalanced snow loads have been considered for this design.
 - 4) This truss has been designed for greater of min roof live load of 20.0 psf or 2.00 times flat roof load of 25.0 psf on overhangs non-concurrent with other live loads.
 - 5) This truss has been designed for a 10.0 psf bottom chord live load nonconcurrent with any other live loads.
 - 6) * This truss has been designed for a live load of 20.0psf on the bottom chord in all areas where a rectangle 3-6-0 tall by 2-0-0 wide will fit between the bottom chord and any other members.
 - 7) Refer to girder(s) for truss to truss connections.
 - 8) Provide mechanical connection (by others) of truss to bearing plate capable of withstanding 100 lb uplift at joint(s) C, B.
 - 9) This truss is designed in accordance with the 2018 International Building Code section 2306.1 and referenced standard ANSI/TPI 1.



September 12, 2024

Job N0653A	Truss L3	Truss Type Monopitch Supported Gable	Qty 9	Ply 1	Buildings A-H Job Reference (optional)	U1530784
---------------	-------------	---	----------	----------	---	----------

Alliance Truss (CA),

Abbotsford, BC - V2S 7P6,

8.630 s Jul 12 2024 MiTek Industries, Inc. Thu Sep 12 02:47:32 2024 Page 1

ID:hFyjDMxrTsEK_kgkR0vWWVzFfgc-RfC?PsB70Hq3NSgPqnL8w3ulTXbGKWrCDoi7J4zJC?f



PRMU20240282 BLDG E

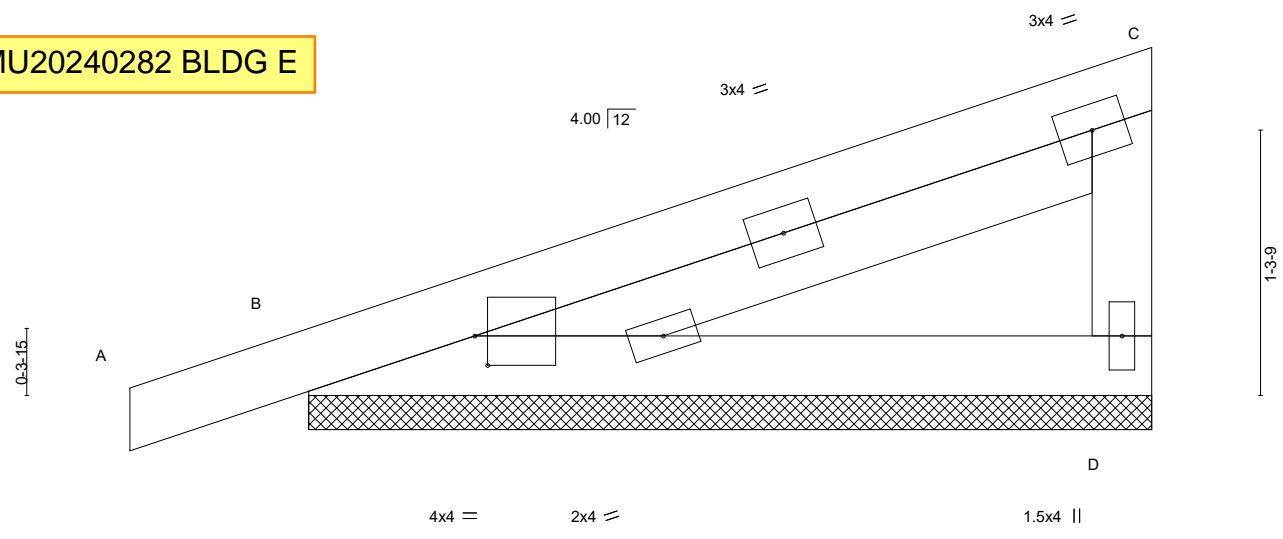


Plate Offsets (X,Y)-- [B:0-0-12,0-1-12]

LOADING (psf)	SPACING-	CSI.	DEFL.	PLATES	GRIP
TCLL 25.0 (Roof Snow=25.0)	2-0-0 Plate Grip DOL 1.15 Lumber DOL 1.15	TC 0.13 BC 0.16 WB 0.00 Matrix-P	in (loc) l/defl L/d Vert(LL) -0.00 A n/r 120 Vert(CT) 0.00 A n/r 90 Horz(CT) -0.00 D n/a n/a	MT20	197/144
TCDL 12.0	Rep Stress Incr YES Code IBC2018/TPI2014			Weight: 16 lb	FT = 20%
BCLL 0.0 *					
BCDL 10.0					

LUMBER-	BRACING-
TOP CHORD 2x4 SPF No.2	TOP CHORD Structural wood sheathing directly applied or 4-1-8 oc purlins, except end verticals.
BOT CHORD 2x4 SPF No.2	BOT CHORD Rigid ceiling directly applied or 10-0-0 oc bracing.
WEBS 2x4 SPF No.2	

REACTIONS. (size) D=4-1-8, B=4-1-8
 Max Horz B=49(LC 7)
 Max Uplift D=-25(LC 10), B=-52(LC 6)
 Max Grav D=238(LC 17), B=350(LC 17)

FORCES. (lb) - Max. Comp./Max. Ten. - All forces 250 (lb) or less except when shown.

- NOTES-**
- 1) Wind: ASCE 7-16; Vult=115mph (3-second gust) Vasd=91mph; TCDL=4.2psf; BCDL=5.0psf; h=30ft; Ke=1.00; Cat. II; Exp B; Enclosed; MWFRS (envelope) gable end zone; cantilever left and right exposed; end vertical left and right exposed; Lumber DOL=1.33 plate grip DOL=1.33
 - 2) Truss designed for wind loads in the plane of the truss only. For studs exposed to wind (normal to the face), see Standard Industry Gable End Details as applicable, or consult qualified building designer as per ANSI/TPI 1.
 - 3) TCLL: ASCE 7-16; Pf=25.0 psf (Lum DOL=1.15 Plate DOL=1.15); Is=1.0; Rough Cat B; Partially Exp.; Ce=1.0; Cs=1.00; Ct=1.10
 - 4) Unbalanced snow loads have been considered for this design.
 - 5) This truss has been designed for greater of min roof live load of 20.0 psf or 2.00 times flat roof load of 25.0 psf on overhangs non-concurrent with other live loads.
 - 6) Gable requires continuous bottom chord bearing.
 - 7) Gable studs spaced at 2-0-0 oc.
 - 8) This truss has been designed for a 10.0 psf bottom chord live load nonconcurrent with any other live loads.
 - 9) * This truss has been designed for a live load of 20.0psf on the bottom chord in all areas where a rectangle 3-6-0 tall by 2-0-0 wide will fit between the bottom chord and any other members.
 - 10) Provide mechanical connection (by others) of truss to bearing plate capable of withstanding 100 lb uplift at joint(s) D, B.
 - 11) This truss is designed in accordance with the 2018 International Building Code section 2306.1 and referenced standard ANSI/TPI 1.



September 12, 2024

WARNING - Verify design parameters and READ NOTES ON THIS AND INCLUDED MITEK REFERENCE PAGE MII-7473 rev. 6/30/2020 BEFORE USE.
 Design valid for use only with MiTek® connectors. This design is based only upon parameters shown, and is for an individual building component, not a truss system. Before use, the building designer must verify the applicability of design parameters and properly incorporate this design into the overall building design. Bracing indicated is to prevent buckling of individual truss web and/or chord members only. Additional temporary and permanent bracing is always required for stability and to prevent collapse with possible personal injury and property damage. For general guidance regarding the fabrication, storage, delivery, erection and bracing of trusses and truss systems, see **ANSI/TPI1 Quality Criteria, DSB-89 and BCSI Building Component Safety Information** available from Truss Plate Institute, 2670 Crain Highway, Suite 203 Waldorf, MD 20601



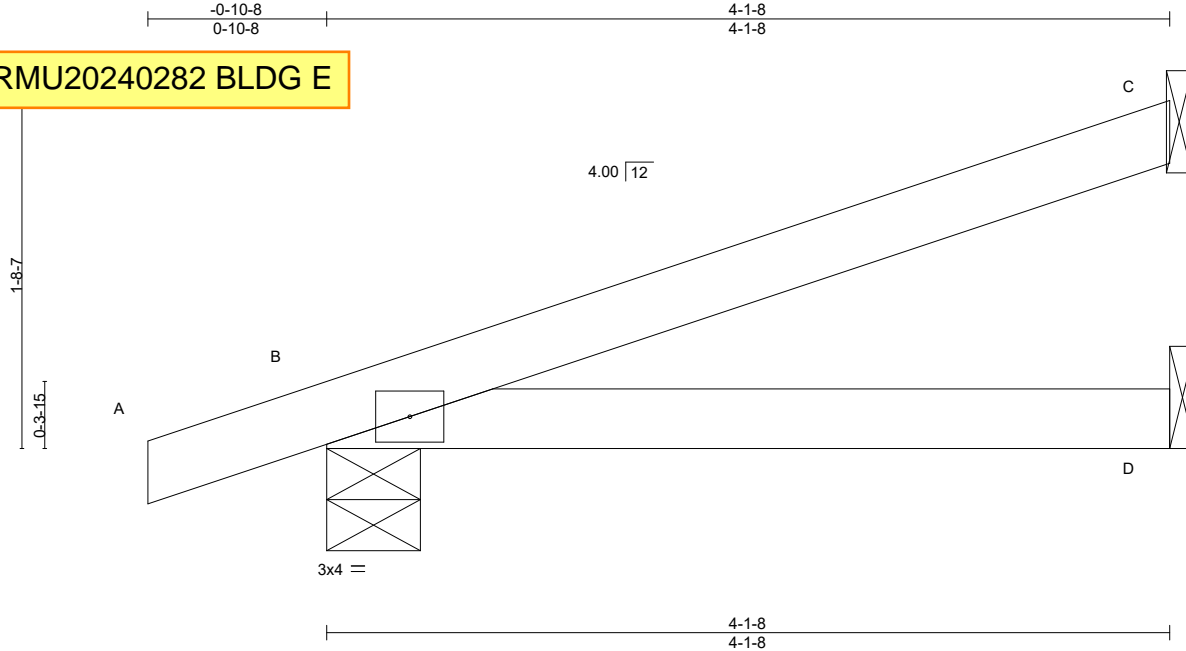
Job N0653A	Truss L4	Truss Type JACK	Qty 54	Ply 1	Buildings A-H Job Reference (optional)	U1530785
---------------	-------------	--------------------	-----------	----------	---	----------

Alliance Truss (CA), Abbotsford, BC - V2S 7P6,

8.630 s Jul 12 2024 MiTek Industries, Inc. Thu Sep 12 02:47:33 2024 Page 1

ID:hFyjDMxrTsEK_kgkR0vWWVzFfgc-RfC?PsB70Hq3NSgPqnL8w3ulTXbGKWrCDoi7J4zJC?f

PRMU20240282 BLDG E



LOADING (psf)	SPACING-	CSI.	DEFL.	PLATES	GRIP
TCLL 25.0 (Roof Snow=25.0)	2-0-0 Plate Grip DOL 1.15 Lumber DOL 1.15	TC 0.29 BC 0.26 WB 0.00 Matrix-MP	in (loc) l/defl L/d Vert(LL) -0.02 D-G >999 360 Vert(CT) -0.04 D-G >999 240 Horz(CT) 0.00 B n/a n/a Wind(LL) 0.01 D-G >999 240	MT20	197/144
TCDL 12.0 BCLL 0.0 * BCDL 10.0	Rep Stress Incr YES Code IBC2018/TPI2014			Weight: 11 lb	FT = 20%

LUMBER-

TOP CHORD 2x4 SPF No.2
BOT CHORD 2x4 SPF No.2

BRACING-

TOP CHORD Structural wood sheathing directly applied or 4-1-8 oc purlins.
BOT CHORD Rigid ceiling directly applied or 10-0-0 oc bracing.

REACTIONS.

(size) C=Mechanical, B=0-5-8, D=Mechanical
Max Horz B=53(LC 6)
Max Uplift C=-36(LC 10), B=-48(LC 6)
Max Grav C=174(LC 17), B=356(LC 17), D=74(LC 5)

FORCES. (lb) - Max. Comp./Max. Ten. - All forces 250 (lb) or less except when shown.

NOTES-

- 1) Wind: ASCE 7-16; Vult=115mph (3-second gust) Vasd=91mph; TCDL=4.2psf; BCDL=5.0psf; h=30ft; Ke=1.00; Cat. II; Exp B; Enclosed; MWFRS (envelope) gable end zone; cantilever left and right exposed; end vertical left and right exposed; Lumber DOL=1.33 plate grip DOL=1.33
- 2) TCLL: ASCE 7-16; Pf=25.0 psf (Lum DOL=1.15 Plate DOL=1.15); Is=1.0; Rough Cat B; Partially Exp.; Ce=1.0; Cs=1.0; Ct=1.10
- 3) Unbalanced snow loads have been considered for this design.
- 4) This truss has been designed for greater of min roof live load of 20.0 psf or 2.00 times flat roof load of 25.0 psf on overhangs non-concurrent with other live loads.
- 5) This truss has been designed for a 10.0 psf bottom chord live load nonconcurrent with any other live loads.
- 6) * This truss has been designed for a live load of 20.0psf on the bottom chord in all areas where a rectangle 3-6-0 tall by 2-0-0 wide will fit between the bottom chord and any other members.
- 7) Refer to girder(s) for truss to truss connections.
- 8) Provide mechanical connection (by others) of truss to bearing plate capable of withstanding 100 lb uplift at joint(s) C, B.
- 9) This truss is designed in accordance with the 2018 International Building Code section 2306.1 and referenced standard ANSI/TPI 1.



September 12, 2024

WARNING - Verify design parameters and READ NOTES ON THIS AND INCLUDED MITEK REFERENCE PAGE MII-7473 rev. 6/30/2020 BEFORE USE.

Design valid for use only with MiTek® connectors. This design is based only upon parameters shown, and is for an individual building component, not a truss system. Before use, the building designer must verify the applicability of design parameters and properly incorporate this design into the overall building design. Bracing indicated is to prevent buckling of individual truss web and/or chord members only. Additional temporary and permanent bracing is always required for stability and to prevent collapse with possible personal injury and property damage. For general guidance regarding the fabrication, storage, delivery, erection and bracing of trusses and truss systems, see

Safety Information available from Truss Plate Institute, 2670 Crain Highway, Suite 203 Waldorf, MD 20601

ANSI/TPI1 Quality Criteria, DSB-89 and BCSI Building Component



240 Stirling Crescent
Bradford, ON. L3Z 4L5

Job	Truss	Truss Type	Qty	Ply	Buildings A-H	U1530786
N0653A	L5	Monopitch Supported Gable	2	1		

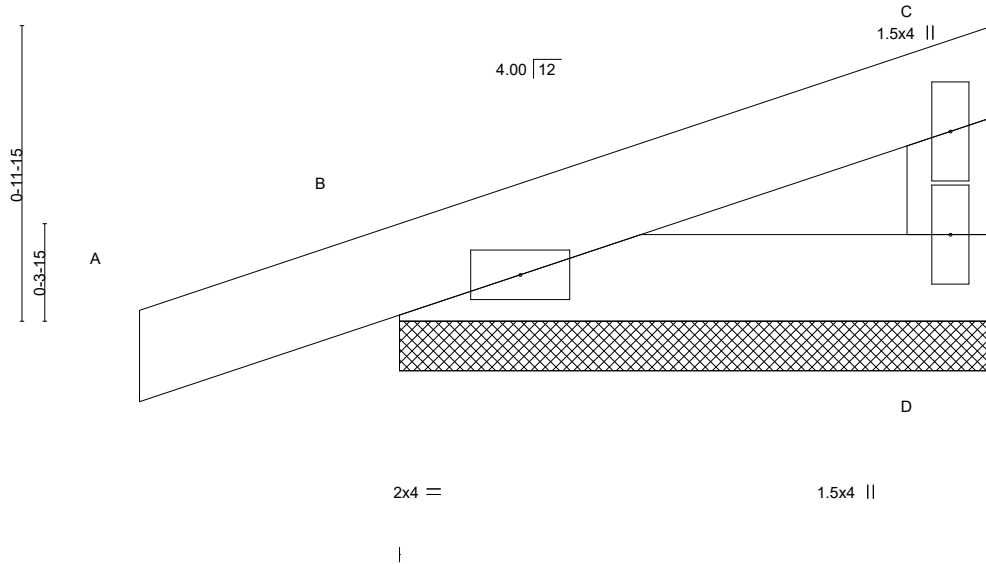
Alliance Truss (CA), Abbotsford, BC - V2S 7P6,

8.630 s Jul 12 2024 MiTek Industries, Inc. Thu Sep 12 02:47:33 2024 Page 1

ID:hFyjDMxrTsEK_kgkR0vWWVzF1gc-RfC?PsB70Hq3NSgPqnL8w3ulTXbGKWrCDoi7J4zJC?f



Scale = 1:7.8



LOADING (psf)	SPACING-	2-0-0	CSI.	DEFL.	in (loc)	l/defl	L/d	PLATES	GRIP
TCLL 25.0	Plate Grip DOL	1.15	TC 0.09	Vert(LL)	0.00	A	n/r	MT20	197/144
(Roof Snow=25.0)	Lumber DOL	1.15	BC 0.03	Vert(CT)	0.00	A	n/r		
TCDL 12.0	Rep Stress Incr	YES	WB 0.00	Horz(CT)	-0.00	D	n/a		
BCLL 0.0 *	Code IBC2018/TPI2014		Matrix-P					Weight: 6 lb	FT = 20%
BCDL 10.0									

LUMBER-

TOP CHORD 2x4 SPF No.2
 BOT CHORD 2x4 SPF No.2
 WEBS 2x4 SPF No.2

BRACING-

TOP CHORD Structural wood sheathing directly applied or 2-0-0 oc purlins, except end verticals.
 BOT CHORD Rigid ceiling directly applied or 10-0-0 oc bracing.

REACTIONS.

(size) D=2-0-0, B=2-0-0
 Max Horz B=26(LC 7)
 Max Uplift D=-9(LC 10), B=-45(LC 6)
 Max Grav D=89(LC 17), B=214(LC 17)

FORCES. (lb) - Max. Comp./Max. Ten. - All forces 250 (lb) or less except when shown.

NOTES-

- 1) Wind: ASCE 7-16; Vult=115mph (3-second gust) Vasd=91mph; TCDL=4.2psf; BCDL=5.0psf; h=30ft; Ke=1.00; Cat. II; Exp B; Enclosed; MWFRS (envelope) gable end zone; cantilever left and right exposed; end vertical left and right exposed; Lumber DOL=1.33 plate grip DOL=1.33
- 2) Truss designed for wind loads in the plane of the truss only. For studs exposed to wind (normal to the face), see Standard Industry Gable End Details as applicable, or consult qualified building designer as per ANSI/TPI 1.
- 3) TCLL: ASCE 7-16; Pf=25.0 psf (Lum DOL=1.15 Plate DOL=1.15); Is=1.0; Rough Cat B; Partially Exp.; Ce=1.0; Cs=1.0; Ct=1.10
- 4) Unbalanced snow loads have been considered for this design.
- 5) This truss has been designed for greater of min roof live load of 20.0 psf or 2.00 times flat roof load of 25.0 psf on overhangs non-concurrent with other live loads.
- 6) Gable requires continuous bottom chord bearing.
- 7) Gable studs spaced at 2-0-0 oc.
- 8) This truss has been designed for a 10.0 psf bottom chord live load nonconcurrent with any other live loads.
- 9) * This truss has been designed for a live load of 20.0psf on the bottom chord in all areas where a rectangle 3-6-0 tall by 2-0-0 wide will fit between the bottom chord and any other members.
- 10) Provide mechanical connection (by others) of truss to bearing plate capable of withstanding 100 lb uplift at joint(s) D, B.
- 11) This truss is designed in accordance with the 2018 International Building Code section 2306.1 and referenced standard ANSI/TPI 1.



PRMU20240282 BLDG E

September 12, 2024

WARNING - Verify design parameters and READ NOTES ON THIS AND INCLUDED MITEK REFERENCE PAGE MII-7473 rev. 6/30/2020 BEFORE USE.

Design valid for use only with MiTek® connectors. This design is based only upon parameters shown, and is for an individual building component, not a truss system. Before use, the building designer must verify the applicability of design parameters and properly incorporate this design into the overall building design. Bracing indicated is to prevent buckling of individual truss web and/or chord members only. Additional temporary and permanent bracing is always required for stability and to prevent collapse with possible personal injury and property damage. For general guidance regarding the fabrication, storage, delivery, erection and bracing of trusses and truss systems, see

ANSI/TPI1 Quality Criteria, DSB-89 and BCSI Building Component

Safety Information available from Truss Plate Institute, 2670 Crain Highway, Suite 203 Waldorf, MD 20601



240 Stirling Crescent
 Bradford, ON. L3Z 4L5

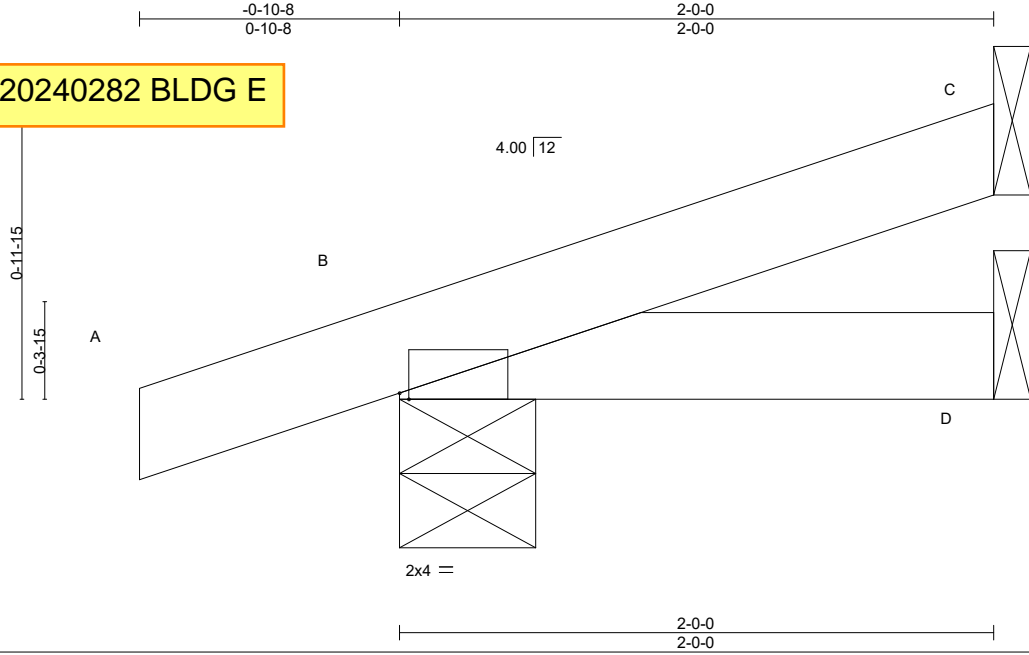
Job	Truss	Truss Type	Qty	Ply	Buildings A-H	U1530787
N0653A	L6	Monopitch	9	1		

Alliance Truss (CA), Abbotsford, BC - V2S 7P6,

8.630 s Jul 12 2024 MiTek Industries, Inc. Thu Sep 12 02:47:34 2024 Page 1

ID:hFyjDMxrTsEK_kgkR0vWWVzFgC-RfC?PsB70Hq3NSgPqnL8w3ulTXbGKWrCDoi7J4zJC?f

PRMU20240282 BLDG E



Scale = 1:7.8

Plate Offsets (X,Y)-- [B:0-0-6,Edge]

LOADING (psf)	SPACING-	2-0-0	CSI.	DEFL.	in (loc)	l/defl	L/d	PLATES	GRIP
TCLL 25.0 (Roof Snow=25.0)	Plate Grip DOL 1.15		TC 0.15	Vert(LL) -0.00	G	>999	360	MT20	197/144
TCDL 12.0	Lumber DOL 1.15		BC 0.20	Vert(CT) -0.01	G	>999	240		
BCLL 0.0 *	Rep Stress Incr YES		WB 0.00	Horz(CT) 0.00	B	n/a	n/a		
BCDL 10.0	Code IBC2018/TPI2014		Matrix-MP	Wind(LL) 0.00	G	>999	240	Weight: 6 lb	FT = 20%

LUMBER-

TOP CHORD 2x4 SPF No.2
BOT CHORD 2x4 SPF No.2

BRACING-

TOP CHORD Structural wood sheathing directly applied or 2-0-0 oc purlins.
BOT CHORD Rigid ceiling directly applied or 10-0-0 oc bracing.

REACTIONS.

(size) B=0-5-8, D=Mechanical
Max Horz B=30(LC 6)
Max Uplift B=-42(LC 6), D=-12(LC 7)
Max Grav B=222(LC 17), D=104(LC 16)

FORCES. (lb) - Max. Comp./Max. Ten. - All forces 250 (lb) or less except when shown.

NOTES-

- 1) Wind: ASCE 7-16; Vult=115mph (3-second gust) Vasd=91mph; TCDL=4.2psf; BCDL=5.0psf; h=30ft; Ke=1.00; Cat. II; Exp B; Enclosed; MWFRS (envelope) gable end zone; cantilever left and right exposed; end vertical left and right exposed; Lumber DOL=1.33 plate grip DOL=1.33
- 2) TCLL: ASCE 7-16; Pf=25.0 psf (Lum DOL=1.15 Plate DOL=1.15); Is=1.0; Rough Cat B; Partially Exp.; Ce=1.0; Cs=1.00; Ct=1.10
- 3) Unbalanced snow loads have been considered for this design.
- 4) This truss has been designed for greater of min roof live load of 20.0 psf or 2.00 times flat roof load of 25.0 psf on overhangs non-concurrent with other live loads.
- 5) This truss has been designed for a 10.0 psf bottom chord live load nonconcurrent with any other live loads.
- 6) * This truss has been designed for a live load of 20.0psf on the bottom chord in all areas where a rectangle 3-6-0 tall by 2-0-0 wide will fit between the bottom chord and any other members.
- 7) Refer to girder(s) for truss to truss connections.
- 8) Provide mechanical connection (by others) of truss to bearing plate capable of withstanding 100 lb uplift at joint(s) B, D.
- 9) This truss is designed in accordance with the 2018 International Building Code section 2306.1 and referenced standard ANSI/TPI 1.



September 12, 2024

WARNING - Verify design parameters and READ NOTES ON THIS AND INCLUDED MITEK REFERENCE PAGE MII-7473 rev. 6/30/2020 BEFORE USE.

Design valid for use only with MiTek® connectors. This design is based only upon parameters shown, and is for an individual building component, not a truss system. Before use, the building designer must verify the applicability of design parameters and properly incorporate this design into the overall building design. Bracing indicated is to prevent buckling of individual truss web and/or chord members only. Additional temporary and permanent bracing is always required for stability and to prevent collapse with possible personal injury and property damage. For general guidance regarding the fabrication, storage, delivery, erection and bracing of trusses and truss systems, see

Safety Information available from Truss Plate Institute, 2670 Crain Highway, Suite 203 Waldorf, MD 20601



240 Stirling Crescent
Bradford, ON. L3Z 4L5

Job	Truss	Truss Type	Qty	Ply	Buildings A-H	U1530846
N0653A	M1	Monopitch	44	1		

Alliance Truss (CA), Abbotsford, BC - V2S 7P6,

8.820 s Aug 30 2024 MiTek Industries, Inc. Thu Sep 12 02:48:09 2024 Page 1

ID:hFyjDMxrTsEK_kgkR0vWwVzFlgc-YHq5Xr57HrC3vBa9G0Xwcje5G36R4jK_ze3TxDyeVr4



PRMU20240282 BLDG E

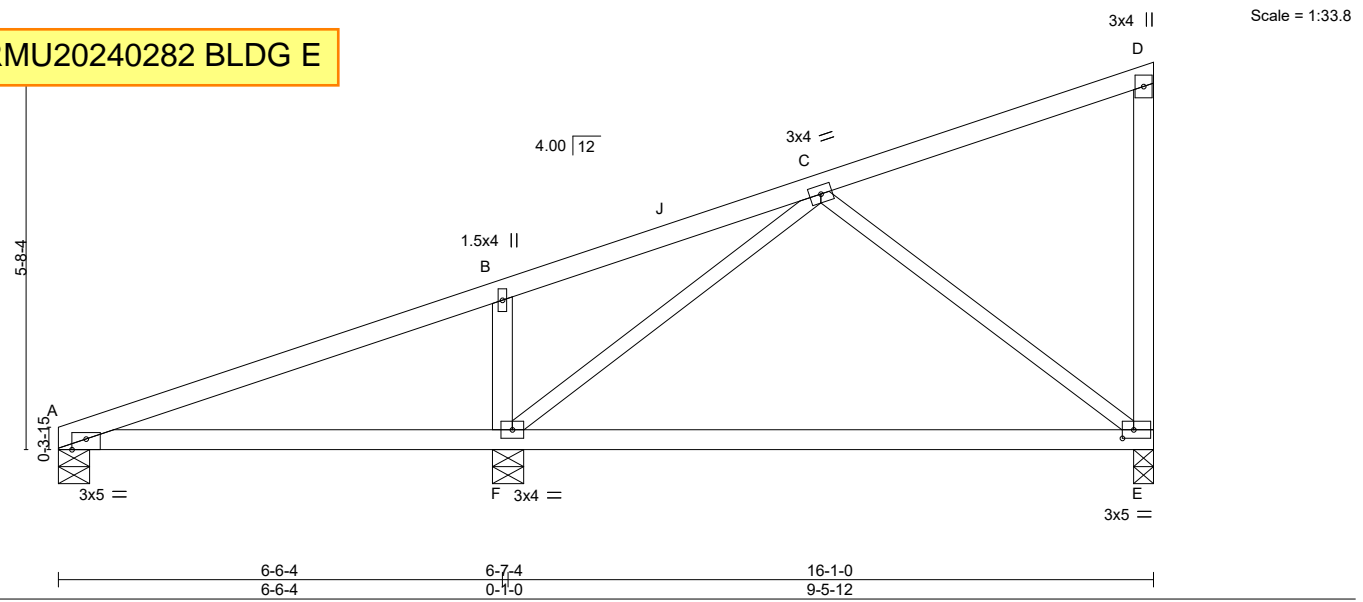


Plate Offsets (X,Y)-- [A:0-2-8,Edge], [E:0-2-0,0-1-8]

LOADING (psf)	SPACING-	CSI.	DEFL.	PLATES	GRIP
TCLL 25.0 (Roof Snow=25.0)	2-0-0 Plate Grip DOL 1.15	TC 0.43	in (loc) l/defl L/d	MT20	197/144
TCDL 12.0	Lumber DOL 1.15	BC 0.62	Vert(LL) -0.21 E-F >545 360		
BCLL 0.0 *	Rep Stress Incr YES	WB 0.37	Vert(CT) -0.40 E-F >283 240		
BCDL 10.0	Code IBC2018/TPI2014	Matrix-MS	Horz(CT) 0.01 E n/a n/a		
			Wind(LL) 0.04 F-I >999 240	Weight: 55 lb	FT = 20%

LUMBER-	BRACING-
TOP CHORD 2x4 SPF No.2	TOP CHORD Structural wood sheathing directly applied or 6-0-0 oc purlins, except end verticals.
BOT CHORD 2x4 SPF No.2	BOT CHORD Rigid ceiling directly applied or 10-0-0 oc bracing.
WEBS 2x4 SPF No.2 *Except* C-F,C-E: 2x3 SPF No.2	

REACTIONS. (size) A=0-5-8, F=0-5-8, E=0-3-8
 Max Horz A=176(LC 9)
 Max Uplift A=-27(LC 6), F=-92(LC 6), E=-70(LC 10)
 Max Grav A=266(LC 16), F=896(LC 16), E=550(LC 16)

FORCES. (lb) - Max. Comp./Max. Ten. - All forces 250 (lb) or less except when shown.
 BOT CHORD E-F=-89/343
 WEBS B-F=-447/147, C-F=-345/39, C-E=-411/116

- NOTES-**
- 1) Wind: ASCE 7-16; Vult=115mph (3-second gust) Vasd=91mph; TCDL=4.2psf; BCDL=5.0psf; h=30ft; Ke=1.00; Cat. II; Exp B; Enclosed; MWFRS (envelope) gable end zone; cantilever left and right exposed ; end vertical left and right exposed; Lumber DOL=1.33 plate grip DOL=1.33
 - 2) TCLL: ASCE 7-16; Pf=25.0 psf (Lum DOL = 1.15 Plate DOL = 1.15); Is=1.0; Rough Cat B; Partially Exp.; Ce=1.0; Cs=1.00; Ct=1.10
 - 3) Unbalanced snow loads have been considered for this design.
 - 4) This truss has been designed for a 10.0 psf bottom chord live load nonconcurrent with any other live loads.
 - 5) * This truss has been designed for a live load of 20.0psf on the bottom chord in all areas where a rectangle 3-6-0 tall by 2-0-0 wide will fit between the bottom chord and any other members.
 - 6) Provide mechanical connection (by others) of truss to bearing plate capable of withstanding 100 lb uplift at joint(s) A, F, E.
 - 7) This truss is designed in accordance with the 2018 International Building Code section 2306.1 and referenced standard ANSI/TPI 1.



September 12, 2024

WARNING - Verify design parameters and READ NOTES ON THIS AND INCLUDED MITEK REFERENCE PAGE MII-7473 rev. 6/30/2020 BEFORE USE.

Design valid for use only with MiTek® connectors. This design is based only upon parameters shown, and is for an individual building component, not a truss system. Before use, the building designer must verify the applicability of design parameters and properly incorporate this design into the overall building design. Bracing indicated is to prevent buckling of individual truss web and/or chord members only. Additional temporary and permanent bracing is always required for stability and to prevent collapse with possible personal injury and property damage. For general guidance regarding the fabrication, storage, delivery, erection and bracing of trusses and truss systems, see

Safety Information available from Truss Plate Institute, 2670 Crain Highway, Suite 203 Waldorf, MD 20601



240 Stirling Crescent
Bradford, ON. L3Z 4L5

Job	Truss	Truss Type	Qty	Ply	Buildings A-H	U1530847
N0653A	M2	Monopitch	44	1		

Alliance Truss (CA), Abbotsford, BC - V2S 7P6,

8.820 s Aug 30 2024 MiTek Industries, Inc. Thu Sep 12 02:48:09 2024 Page 1

ID:hFyjDMxrTsEK_kgkR0vWWVzFlgc-YHq5Xr57HrC3vBa9G0Xwcje5G3274bb_ze3TxDyeVr4



PRMU20240282 BLDG E

Scale = 1:34.6

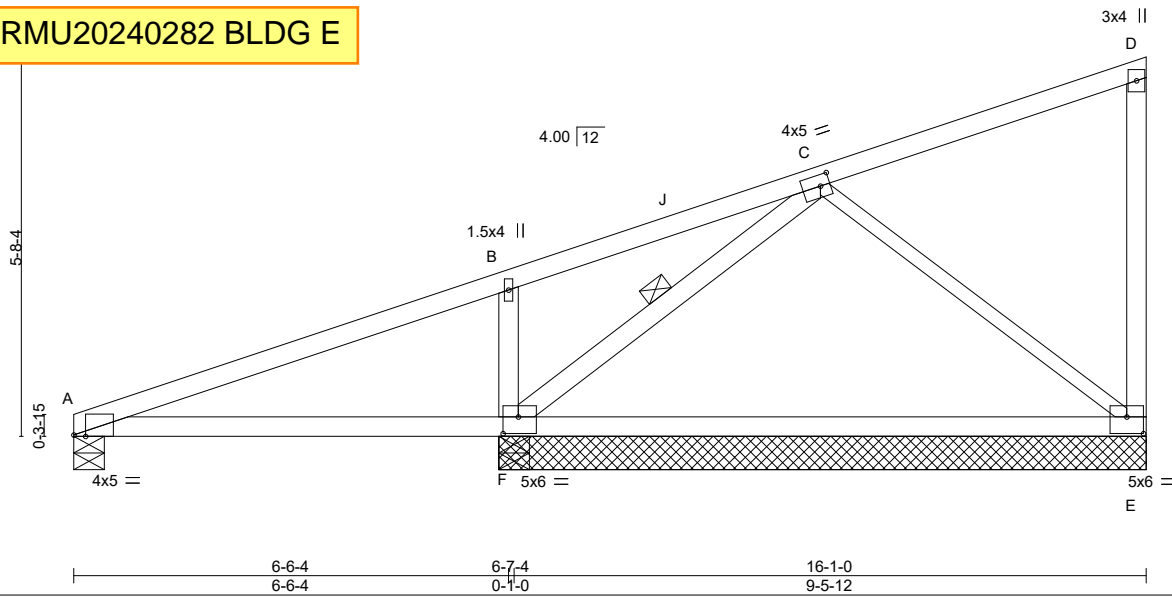


Plate Offsets (X,Y)-- [A:0-2-2,Edge], [C:0-1-12,0-2-0], [E:0-3-0,0-3-0], [F:0-2-12,0-3-0]

LOADING (psf)	SPACING-	CSI.	DEFL.	in (loc)	l/defl	L/d	PLATES	GRIP
TCLL 25.0 (Roof Snow=25.0)	2-0-0 Plate Grip DOL 1.15	TC 0.43	Vert(LL)	-0.21	E-F	>545	MT20	197/144
TCDL 12.0	Lumber DOL 1.15	BC 0.89	Vert(CT)	-0.40	E-F	>283		
BCLL 0.0 *	Rep Stress Incr YES	WB 0.87	Horz(CT)	-0.04	E	n/a		
BCDL 10.0	Code IBC2018/TPI2014	Matrix-MS	Wind(LL)	0.06	F-I	>999		
							Weight: 57 lb	FT = 20%

LUMBER-

TOP CHORD 2x4 SPF No.2
 BOT CHORD 2x4 SPF No.2
 WEBS 2x4 SPF No.2 *Except*
 C-E: 2x3 SPF No.2

BRACING-

TOP CHORD Structural wood sheathing directly applied or 4-8-15 oc purlins, except end verticals.
 BOT CHORD Rigid ceiling directly applied.
 WEBS 1 Row at midpt C-F

REACTIONS.

All bearings 0-5-8 except (jt=length) E=9-8-8.
 (lb) - Max Horz A=257(LC 38)
 Max Uplift All uplift 100 lb or less at joint(s) except A=-550(LC 31), F=-1377(LC 31), E=-601(LC 40)
 Max Grav All reactions 250 lb or less at joint(s) except A=635(LC 52), F=1747(LC 28), F=836(LC 1), E=852(LC 27)

FORCES. (lb) - Max. Comp./Max. Ten. - All forces 250 (lb) or less except when shown.

TOP CHORD A-B=-1541/1392, B-C=-1250/1232, C-D=-1290/1209
 BOT CHORD A-F=-1548/1488, E-F=-3159/3153
 WEBS B-F=-446/147, C-F=-2137/2094, C-E=-966/974

NOTES-

- 1) Wind: ASCE 7-16; Vult=115mph (3-second gust) Vasd=91mph; TCDL=4.2psf; BCDL=5.0psf; h=30ft; Ke=1.00; Cat. II; Exp B; Enclosed; MWFRS (envelope) gable end zone; cantilever left and right exposed ; end vertical left and right exposed; Lumber DOL=1.33 plate grip DOL=1.33
- 2) TCLL: ASCE 7-16; Pf=25.0 psf (Lum DOL = 1.15 Plate DOL = 1.15); Is=1.0; Rough Cat B; Partially Exp.; Ce=1.0; Cs=1.00; Ct=1.10
- 3) Unbalanced snow loads have been considered for this design.
- 4) This truss has been designed for a 10.0 psf bottom chord live load nonconcurrent with any other live loads.
- 5) * This truss has been designed for a live load of 20.0psf on the bottom chord in all areas where a rectangle 3-6-0 tall by 2-0-0 wide will fit between the bottom chord and any other members.
- 6) Provide mechanical connection (by others) of truss to bearing plate capable of withstanding 550 lb uplift at joint A, 1377 lb uplift at joint F and 601 lb uplift at joint E.
- 7) This truss is designed in accordance with the 2018 International Building Code section 2306.1 and referenced standard ANSI/TPI 1.
- 8) This truss has been designed for a total drag load of 240 plf. Lumber DOL=(1.33) Plate grip DOL=(1.33) Connect truss to resist drag loads along bottom chord from 6-4-8 to 16-1-0 for 397.6 plf.



September 12, 2024

WARNING - Verify design parameters and READ NOTES ON THIS AND INCLUDED MITEK REFERENCE PAGE MII-7473 rev. 6/30/2020 BEFORE USE.

Design valid for use only with MiTek® connectors. This design is based only upon parameters shown, and is for an individual building component, not a truss system. Before use, the building designer must verify the applicability of design parameters and properly incorporate this design into the overall building design. Bracing indicated is to prevent buckling of individual truss web and/or chord members only. Additional temporary and permanent bracing is always required for stability and to prevent collapse with possible personal injury and property damage. For general guidance regarding the fabrication, storage, delivery, erection and bracing of trusses and truss systems, see

Safety Information available from Truss Plate Institute, 2670 Crain Highway, Suite 203 Waldorf, MD 20601

ANSI/TPI1 Quality Criteria, DSB-89 and BCSI Building Component



240 Stirling Crescent
 Bradford, ON. L3Z 4L5

Job	Truss	Truss Type	Qty	Ply	Buildings A-H	U1530848
N0653A	M3	Monopitch	44	1		

Alliance Truss (CA), Abbotsford, BC - V2S 7P6,

8.820 s Aug 30 2024 MiTek Industries, Inc. Thu Sep 12 02:48:10 2024 Page 1

ID:hFyjDMxrTsEK_kgkR0vWWVzFfgc-1UOTIB6129KvXL8Lqk299xADOSQYp1G8Clp0TfyeVr3



PRMU20240282 BLDG E

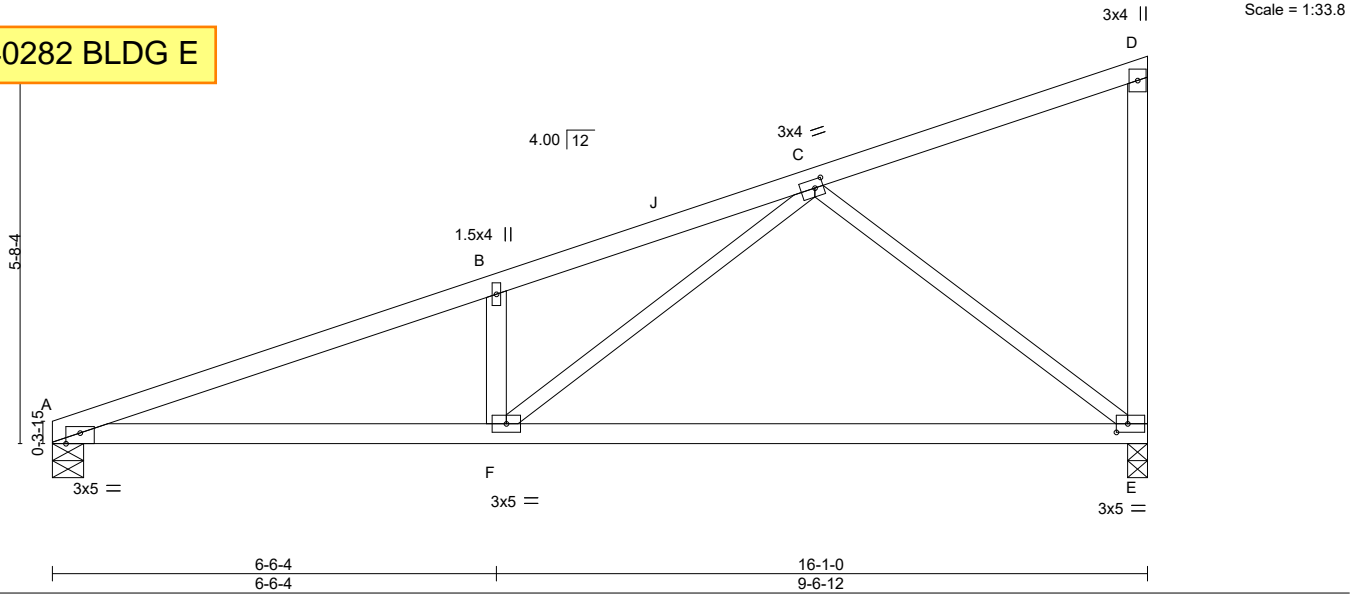


Plate Offsets (X,Y)-- [A:0-2-8,Edge], [C:0-1-8,0-1-8], [E:0-2-0,0-1-8]

LOADING (psf)	SPACING-	CSI.	DEFL.	in (loc)	l/defl	L/d	PLATES	GRIP
TCLL 25.0 (Roof Snow=25.0)	2-0-0 Plate Grip DOL 1.15 Lumber DOL 1.15	TC 0.54 BC 0.75 WB 0.90 Matrix-MS	Vert(LL) -0.23 Vert(CT) -0.46 Horz(CT) 0.03 Wind(LL) 0.06	E-F E-F E F-I	>845 >418 n/a >999	360 240 n/a 240	MT20	197/144
TCDL 12.0	Rep Stress Incr YES Code IBC2018/TPI2014						Weight: 55 lb	FT = 20%
BCLL 0.0 *								
BCDL 10.0								

LUMBER-	BRACING-
TOP CHORD 2x4 SPF No.2	TOP CHORD Structural wood sheathing directly applied or 3-6-12 oc purlins, except end verticals.
BOT CHORD 2x4 SPF No.2	BOT CHORD Rigid ceiling directly applied or 10-0-0 oc bracing.
WEBS 2x4 SPF No.2 *Except* C-F,C-E: 2x3 SPF No.2	

REACTIONS. (size) A=0-5-8, E=0-3-8
 Max Horz A=176(LC 9)
 Max Uplift A=-81(LC 6), E=-108(LC 10)
 Max Grav A=795(LC 16), E=916(LC 16)

FORCES. (lb) - Max. Comp./Max. Ten. - All forces 250 (lb) or less except when shown.
 TOP CHORD A-B=-1739/147, B-C=-1752/205
 BOT CHORD A-F=-176/1607, E-F=-96/806
 WEBS B-F=-423/145, C-F=-103/1029, C-E=-1000/176

- NOTES-**
- 1) Wind: ASCE 7-16; Vult=115mph (3-second gust) Vasd=91mph; TCDL=4.2psf; BCDL=5.0psf; h=30ft; Ke=1.00; Cat. II; Exp B; Enclosed; MWFRS (envelope) gable end zone; cantilever left and right exposed; end vertical left and right exposed; Lumber DOL=1.33 plate grip DOL=1.33
 - 2) TCLL: ASCE 7-16; Pf=25.0 psf (Lum DOL = 1.15 Plate DOL = 1.15); Is=1.0; Rough Cat B; Partially Exp.; Ce=1.0; Cs=1.00; Ct=1.10
 - 3) Unbalanced snow loads have been considered for this design.
 - 4) This truss has been designed for a 10.0 psf bottom chord live load nonconcurrent with any other live loads.
 - 5) * This truss has been designed for a live load of 20.0psf on the bottom chord in all areas where a rectangle 3-6-0 tall by 2-0-0 wide will fit between the bottom chord and any other members.
 - 6) Provide mechanical connection (by others) of truss to bearing plate capable of withstanding 81 lb uplift at joint A and 108 lb uplift at joint E.
 - 7) This truss is designed in accordance with the 2018 International Building Code section 2306.1 and referenced standard ANSI/TPI 1.



September 12, 2024

WARNING - Verify design parameters and READ NOTES ON THIS AND INCLUDED MITEK REFERENCE PAGE MII-7473 rev. 6/30/2020 BEFORE USE.
 Design valid for use only with MiTek® connectors. This design is based only upon parameters shown, and is for an individual building component, not a truss system. Before use, the building designer must verify the applicability of design parameters and properly incorporate this design into the overall building design. Bracing indicated is to prevent buckling of individual truss web and/or chord members only. Additional temporary and permanent bracing is always required for stability and to prevent collapse with possible personal injury and property damage. For general guidance regarding the fabrication, storage, delivery, erection and bracing of trusses and truss systems, see **ANSI/TPI1 Quality Criteria, DSB-89 and BCSI Building Component Safety Information** available from Truss Plate Institute, 2670 Crain Highway, Suite 203 Waldorf, MD 20601

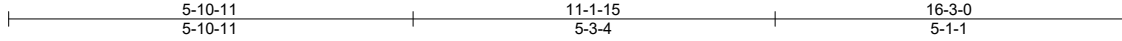


Job	Truss	Truss Type	Qty	Ply	Buildings A-H	U1530849
N0653A	M4	MONOPITCH	4	1		

Alliance Truss (CA), Abbotsford, BC - V2S 7P6,

8.820 s Aug 30 2024 MiTek Industries, Inc. Thu Sep 12 02:48:10 2024 Page 1

ID:hFyjDMxrTsEK_kgkR0vWWVzFlgc-1UOTIB6I29KvXL8Lqk299xADHSPAp468Clp0TfyeVr3



PRMU20240282 BLDG E

Scale = 1:33.5

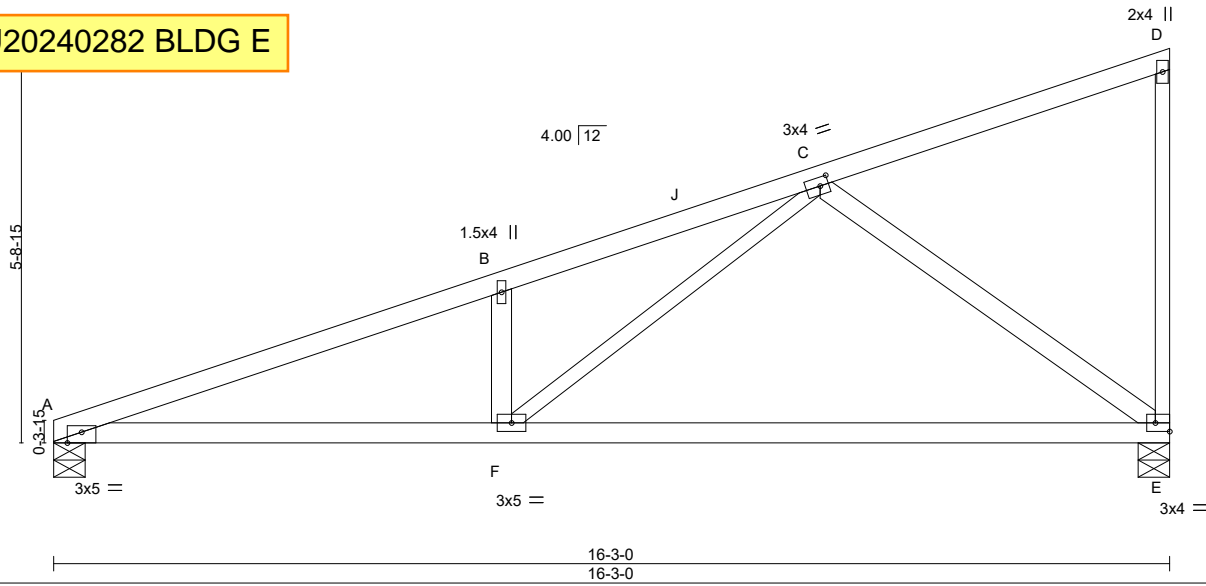


Plate Offsets (X,Y)-- [A:0-2-8,Edge], [C:0-1-8,0-1-8], [E:Edge,0-1-8]

LOADING (psf)	SPACING-	CSI.	DEFL.	in (loc)	l/defl	L/d	PLATES	GRIP	
TCLL 25.0 (Roof Snow=25.0)	2-0-0 Plate Grip DOL 1.15	TC 0.54	Vert(LL)	-0.27	E-F	>725	360	MT20	197/144
TCDL 12.0	Lumber DOL 1.15	BC 0.78	Vert(CT)	-0.54	E-F	>360	240		
BCLL 0.0 *	Rep Stress Incr YES	WB 0.72	Horz(CT)	0.03	E	n/a	n/a		
BCDL 10.0	Code IBC2018/TPI2014	Matrix-MS	Wind(LL)	0.06	F-I	>999	240		
								Weight: 56 lb	FT = 20%

LUMBER-

TOP CHORD 2x4 SPF No.2
 BOT CHORD 2x4 SPF No.2
 WEBS 2x4 SPF No.2 *Except*
 D-E,C-F: 2x3 SPF No.2

BRACING-

TOP CHORD Structural wood sheathing directly applied or 3-6-3 oc purlins, except end verticals.
 BOT CHORD Rigid ceiling directly applied or 10-0-0 oc bracing.

REACTIONS.

(size) A=0-5-8, E=0-5-8
 Max Horz A=163(LC 6)
 Max Uplift A=-68(LC 6), E=-123(LC 6)
 Max Grav A=804(LC 16), E=927(LC 16)

FORCES. (lb) - Max. Comp./Max. Ten. - All forces 250 (lb) or less except when shown.

TOP CHORD A-B=-1770/100, B-C=-1778/157
 BOT CHORD A-F=-216/1635, E-F=-146/846
 WEBS B-F=-413/142, C-F=-90/1024, C-E=-1040/186

NOTES-

- 1) Wind: ASCE 7-16; Vult=115mph (3-second gust) Vasd=91mph; TCDL=4.2psf; BCDL=5.0psf; h=30ft; Ke=1.00; Cat. II; Exp B; Enclosed; MWFRS (envelope) gable end zone; cantilever left exposed ; end vertical left exposed; Lumber DOL=1.33 plate grip DOL=1.33
- 2) TCLL: ASCE 7-16; Pf=25.0 psf (Lum DOL = 1.15 Plate DOL = 1.15); Is=1.0; Rough Cat B; Partially Exp.; Ce=1.0; Cs=1.00; Ct=1.10
- 3) Unbalanced snow loads have been considered for this design.
- 4) This truss has been designed for a 10.0 psf bottom chord live load nonconcurrent with any other live loads.
- 5) * This truss has been designed for a live load of 20.0psf on the bottom chord in all areas where a rectangle 3-6-0 tall by 2-0-0 wide will fit between the bottom chord and any other members.
- 6) Provide mechanical connection (by others) of truss to bearing plate capable of withstanding 68 lb uplift at joint A and 123 lb uplift at joint E.
- 7) This truss is designed in accordance with the 2018 International Building Code section 2306.1 and referenced standard ANSI/TPI 1.



September 12, 2024

WARNING - Verify design parameters and READ NOTES ON THIS AND INCLUDED MITEK REFERENCE PAGE MII-7473 rev. 6/30/2020 BEFORE USE.

Design valid for use only with MiTek® connectors. This design is based only upon parameters shown, and is for an individual building component, not a truss system. Before use, the building designer must verify the applicability of design parameters and properly incorporate this design into the overall building design. Bracing indicated is to prevent buckling of individual truss web and/or chord members only. Additional temporary and permanent bracing is always required for stability and to prevent collapse with possible personal injury and property damage. For general guidance regarding the fabrication, storage, delivery, erection and bracing of trusses and truss systems, see

ANSI/TPI1 Quality Criteria, DSB-89 and BCSI Building Component

Safety Information available from Truss Plate Institute, 2670 Crain Highway, Suite 203 Waldorf, MD 20601



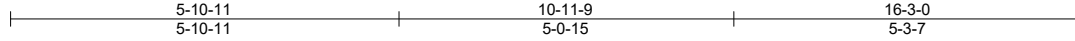
240 Stirling Crescent
 Bradford, ON. L3Z 4L5

Job	Truss	Truss Type	Qty	Ply	Buildings A-H	U1530850
N0653A	M5	Monopitch Structural Gable	4	1		

Alliance Truss (CA), Abbotsford, BC - V2S 7P6,

8.820 s Aug 30 2024 MiTek Industries, Inc. Thu Sep 12 02:48:11 2024 Page 1

ID:hFyjDMxrTsEK_kgkR0vWVvZfIgc-VgxryX7NpTSM8VjYORZO8jPfskYelHRyYa?5yeVr2



PRMU20240282 BLDG E

Scale = 1:34.9

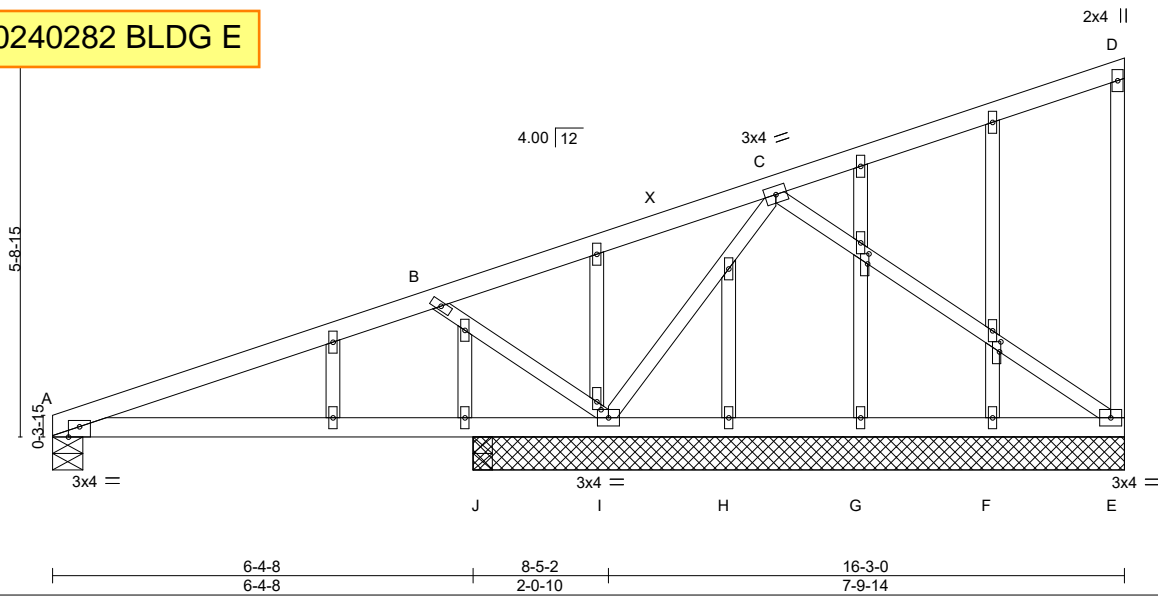


Plate Offsets (X,Y)-- [A:0-2-0,Edge], [I:0-1-7,0-0-12], [L:0-1-13,0-0-4], [N:0-1-13,0-0-4]

LOADING (psf)	SPACING-	CSI.	DEFL.	in (loc)	l/defl	L/d	PLATES	GRIP
TCLL 25.0 (Roof Snow=25.0)	2-0-0 Plate Grip DOL 1.15	TC 0.50	Vert(LL)	-0.04	J-W	>999	MT20	197/144
TCDL 12.0	Lumber DOL 1.15	BC 0.34	Vert(CT)	-0.09	J-W	>836		
BCLL 0.0 *	Rep Stress Incr YES	WB 0.31	Horz(CT)	0.01	E	n/a		
BCDL 10.0	Code IBC2018/TPI2014	Matrix-MS	Wind(LL)	0.03	J-W	>999	Weight: 66 lb	FT = 20%

LUMBER-

TOP CHORD 2x4 SPF No.2
 BOT CHORD 2x4 SPF No.2
 WEBS 2x3 SPF No.2
 OTHERS 2x3 SPF No.2

BRACING-

TOP CHORD Structural wood sheathing directly applied or 6-0-0 oc purlins, except end verticals.
 BOT CHORD Rigid ceiling directly applied or 10-0-0 oc bracing.

REACTIONS.

All bearings 9-10-8 except (jt=length) A=0-5-8, J=0-3-8.
 (lb) - Max Horz A=178(LC 9)
 Max Uplift All uplift 100 lb or less at joint(s) A, E except I=185(LC 10)
 Max Grav All reactions 250 lb or less at joint(s) F, G, H except A=305(LC 1), I=722(LC 16), E=369(LC 16), J=271(LC 5)

FORCES. (lb) - Max. Comp./Max. Ten. - All forces 250 (lb) or less except when shown.

TOP CHORD A-B=-281/29, B-C=-103/253
 WEBS B-I=-498/156, C-I=-607/128

NOTES-

- 1) Wind: ASCE 7-16; Vult=115mph (3-second gust) Vasd=91mph; TCDL=4.2psf; BCDL=5.0psf; h=30ft; Ke=1.00; Cat. II; Exp B; Enclosed; MWFRS (envelope) gable end zone; cantilever left and right exposed; end vertical left and right exposed; Lumber DOL=1.33 plate grip DOL=1.33
- 2) Truss designed for wind loads in the plane of the truss only. For studs exposed to wind (normal to the face), see Standard Industry Gable End Details as applicable, or consult qualified building designer as per ANSI/TPI 1.
- 3) TCLL: ASCE 7-16; Pf=25.0 psf (Lum DOL = 1.15 Plate DOL = 1.15); Is=1.0; Rough Cat B; Partially Exp.; Ce=1.0; Cs=1.00; Ct=1.10
- 4) Unbalanced snow loads have been considered for this design.
- 5) All plates are 1.5x4 MT20 unless otherwise indicated.
- 6) Gable studs spaced at 2-0-0 oc.
- 7) This truss has been designed for a 10.0 psf bottom chord live load nonconcurrent with any other live loads.
- 8) * This truss has been designed for a live load of 20.0psf on the bottom chord in all areas where a rectangle 3-6-0 tall by 2-0-0 wide will fit between the bottom chord and any other members.
- 9) Provide mechanical connection (by others) of truss to bearing plate capable of withstanding 100 lb uplift at joint(s) A, E except (jt=length) I=185.
- 10) This truss is designed in accordance with the 2018 International Building Code section 2306.1 and referenced standard ANSI/TPI 1.



September 12, 2024

WARNING - Verify design parameters and READ NOTES ON THIS AND INCLUDED MITEK REFERENCE PAGE MII-7473 rev. 6/30/2020 BEFORE USE.

Design valid for use only with MiTek® connectors. This design is based only upon parameters shown, and is for an individual building component, not a truss system. Before use, the building designer must verify the applicability of design parameters and properly incorporate this design into the overall building design. Bracing indicated is to prevent buckling of individual truss web and/or chord members only. Additional temporary and permanent bracing is always required for stability and to prevent collapse with possible personal injury and property damage. For general guidance regarding the fabrication, storage, delivery, erection and bracing of trusses and truss systems, see

ANSI/TPI1 Quality Criteria, DSB-89 and BCSI Building Component Safety Information available from Truss Plate Institute, 2670 Crain Highway, Suite 203 Waldorf, MD 20601



240 Stirling Crescent
 Bradford, ON. L3Z 4L5

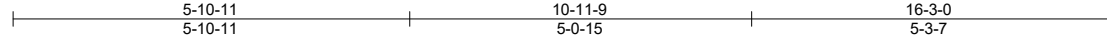
Job	Truss	Truss Type	Qty	Ply	Buildings A-H	U1530851
N0653A	M6	MONOPITCH	4	1		

Alliance Truss (CA),

Abbotsford, BC - V2S 7P6,

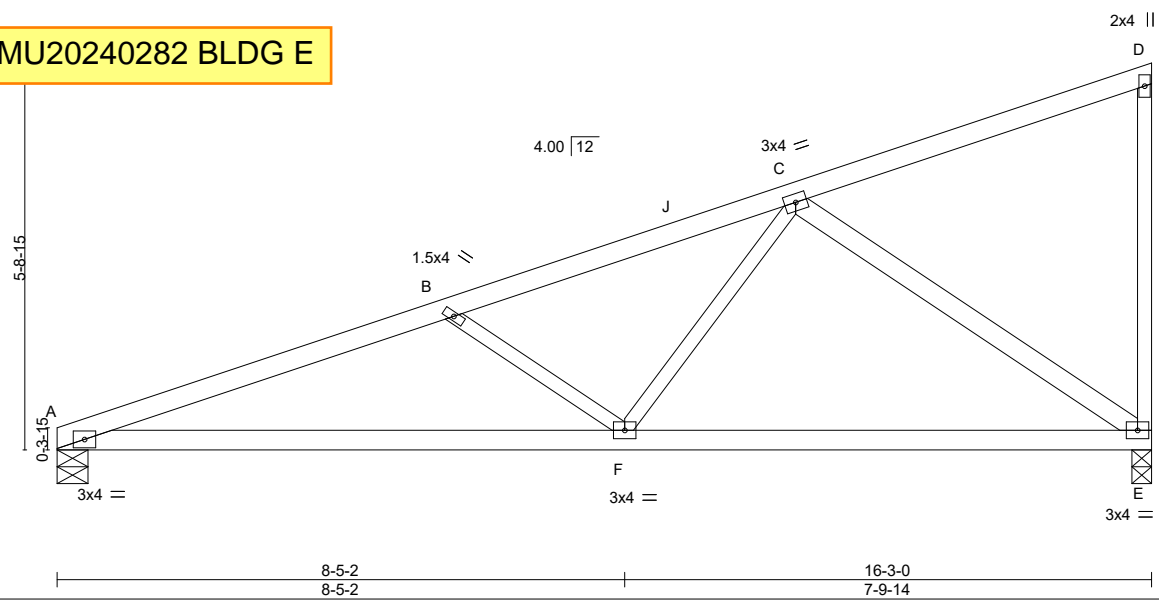
8.820 s Aug 30 2024 MiTek Industries, Inc. Thu Sep 12 02:48:11 2024 Page 1

ID:hFyjDMxrTsEK_kgkR0vWWVzF1gc-VgxryX7NpTsm8VjYORZOOh8jP1sn3YWDHRYa?5yeVr2



Scale = 1:34.2

PRMU20240282 BLDG E



LOADING (psf)	SPACING-	CSI.	DEFL.	in (loc)	l/defl	L/d	PLATES	GRIP
TCLL 25.0	2-0-0	TC 0.48	Vert(LL) -0.10	F-I	>999	360	MT20	197/144
(Roof Snow=25.0)	Plate Grip DOL 1.15	BC 0.67	Vert(CT) -0.22	F-I	>876	240		
TCDL 12.0	Lumber DOL 1.15	WB 0.79	Horz(CT) 0.03	E	n/a	n/a		
BCLL 0.0 *	Rep Stress Incr YES	Matrix-MS	Wind(LL) 0.06	F-I	>999	240		
BCDL 10.0	Code IBC2018/TPI2014						Weight: 55 lb	FT = 20%

LUMBER-	BRACING-
TOP CHORD 2x4 SPF No.2	TOP CHORD Structural wood sheathing directly applied or 3-8-11 oc purlins, except end verticals.
BOT CHORD 2x4 SPF No.2	BOT CHORD Rigid ceiling directly applied or 10-0-0 oc bracing.
WEBS 2x3 SPF No.2 *Except*	
C-E: 2x4 SPF No.2	

REACTIONS. (size) A=0-5-8, E=0-3-8
 Max Horz A=163(LC 6)
 Max Uplift A=-68(LC 6), E=-123(LC 6)
 Max Grav A=804(LC 16), E=927(LC 16)


FORCES. (lb) - Max. Comp./Max. Ten. - All forces 250 (lb) or less except when shown.
 TOP CHORD A-B=-1762/150, B-C=-1370/76
 BOT CHORD A-F=-267/1643, E-F=-143/909
 WEBS B-F=-502/150, C-F=-4/597, C-E=-1101/175

- NOTES-**
- 1) Wind: ASCE 7-16; Vult=115mph (3-second gust) Vasd=91mph; TCDL=4.2psf; BCDL=5.0psf; h=30ft; Ke=1.00; Cat. II; Exp B; Enclosed; MWFRS (envelope) gable end zone; cantilever left exposed ; end vertical left exposed; Lumber DOL=1.33 plate grip DOL=1.33
 - 2) TCLL: ASCE 7-16; Pf=25.0 psf (Lum DOL = 1.15 Plate DOL = 1.15); Is=1.0; Rough Cat B; Partially Exp.; Ce=1.0; Cs=1.00; Ct=1.10
 - 3) Unbalanced snow loads have been considered for this design.
 - 4) This truss has been designed for a 10.0 psf bottom chord live load nonconcurrent with any other live loads.
 - 5) * This truss has been designed for a live load of 20.0psf on the bottom chord in all areas where a rectangle 3-6-0 tall by 2-0-0 wide will fit between the bottom chord and any other members.
 - 6) Provide mechanical connection (by others) of truss to bearing plate capable of withstanding 100 lb uplift at joint(s) A except (jt=lb) E=123.
 - 7) This truss is designed in accordance with the 2018 International Building Code section 2306.1 and referenced standard ANSI/TPI 1.



September 12, 2024

WARNING - Verify design parameters and READ NOTES ON THIS AND INCLUDED MITEK REFERENCE PAGE MII-7473 rev. 6/30/2020 BEFORE USE.
 Design valid for use only with MiTek® connectors. This design is based only upon parameters shown, and is for an individual building component, not a truss system. Before use, the building designer must verify the applicability of design parameters and properly incorporate this design into the overall building design. Bracing indicated is to prevent buckling of individual truss web and/or chord members only. Additional temporary and permanent bracing is always required for stability and to prevent collapse with possible personal injury and property damage. For general guidance regarding the fabrication, storage, delivery, erection and bracing of trusses and truss systems, see **ANSI/TPI1 Quality Criteria, DSB-89 and BCSI Building Component Safety Information** available from Truss Plate Institute, 2670 Crain Highway, Suite 203 Waldorf, MD 20601



240 Stirling Crescent
 Bradford, ON. L3Z 4L5

Job	Truss	Truss Type	Qty	Ply	Buildings A-H	U1530852
N0653A	N1	MONOPITCH SUPPORTED	48	1		

Alliance Truss (CA), Abbotsford, BC - V2S 7P6,

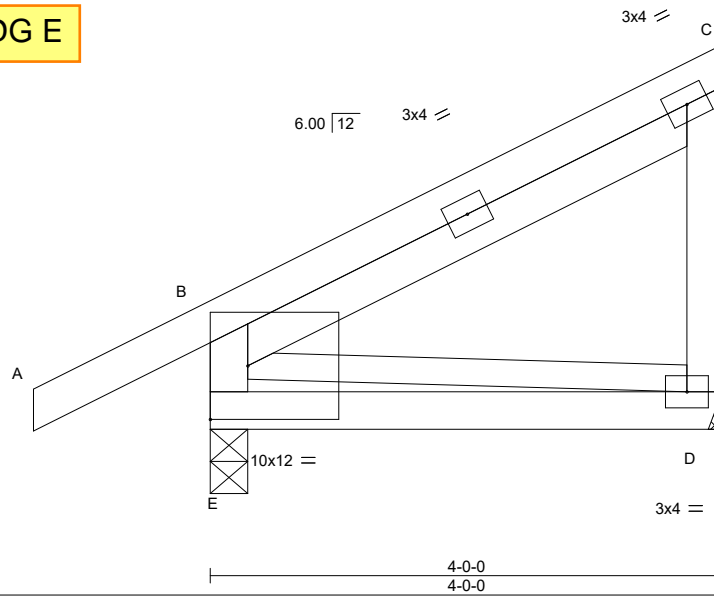
8.820 s Aug 30 2024 MiTek Industries, Inc. Thu Sep 12 02:48:12 2024 Page 1

ID:hFyjDMxrTsEK_kgkR0vWWVzFgC-zsVDA8?amadmflky94dEMGdCGFgH9ZQfci7YYeVr1



PRMU20240282 BLDG E

Scale = 1:17.9



LOADING (psf)	SPACING-	CSI.	DEFL.	in (loc)	l/defl	L/d	PLATES	GRIP
TCLL 25.0	2-0-0	TC 0.26	Vert(LL)	-0.01	D-E	>999	MT20	197/144
(Roof Snow=25.0)	Plate Grip DOL 1.15	BC 0.14	Vert(CT)	-0.02	D-E	>999		
TCDL 12.0	Lumber DOL 1.15	WB 0.02	Horz(CT)	-0.00	D	n/a		
BCLL 0.0 *	Rep Stress Incr YES	Matrix-MP	Wind(LL)	0.00	E	****		
BCDL 10.0	Code IBC2018/TPI2014						Weight: 22 lb	FT = 20%

LUMBER-

TOP CHORD 2x4 SPF No.2
 BOT CHORD 2x4 SPF No.2
 WEBS 2x4 SPF No.2 *Except*
 B-D: 2x3 SPF No.2

BRACING-

TOP CHORD Structural wood sheathing directly applied or 4-0-0 oc purlins, except end verticals.
 BOT CHORD Rigid ceiling directly applied or 6-0-0 oc bracing.

REACTIONS.

(size) E=0-3-8, D=Mechanical
 Max Horz E=87(LC 7)
 Max Uplift E=-41(LC 10), D=-30(LC 10)
 Max Grav E=450(LC 17), D=210(LC 17)

FORCES. (lb) - Max. Comp./Max. Ten. - All forces 250 (lb) or less except when shown.

TOP CHORD B-E=-414/59

NOTES-

- 1) Wind: ASCE 7-16; Vult=115mph (3-second gust) Vasd=91mph; TCDL=4.2psf; BCDL=5.0psf; h=30ft; Ke=1.00; Cat. II; Exp B; Enclosed; MWFRS (envelope) gable end zone; cantilever left and right exposed; end vertical left and right exposed; Lumber DOL=1.33 plate grip DOL=1.33
- 2) TCLL: ASCE 7-16; Pf=25.0 psf (Lum DOL = 1.15 Plate DOL = 1.15); Is=1.0; Rough Cat B; Partially Exp.; Ce=1.0; Cs=1.00; Ct=1.10
- 3) Unbalanced snow loads have been considered for this design.
- 4) This truss has been designed for greater of min roof live load of 18.0 psf or 2.00 times flat roof load of 25.0 psf on overhangs non-concurrent with other live loads.
- 5) This truss has been designed for a 10.0 psf bottom chord live load nonconcurrent with any other live loads.
- 6) * This truss has been designed for a live load of 20.0psf on the bottom chord in all areas where a rectangle 3-6-0 tall by 2-0-0 wide will fit between the bottom chord and any other members.
- 7) Refer to girder(s) for truss to truss connections.
- 8) Provide mechanical connection (by others) of truss to bearing plate capable of withstanding 100 lb uplift at joint(s) E, D.
- 9) This truss is designed in accordance with the 2018 International Building Code section 2306.1 and referenced standard ANSI/TPI 1.



September 12, 2024

WARNING - Verify design parameters and READ NOTES ON THIS AND INCLUDED MITEK REFERENCE PAGE MII-7473 rev. 6/30/2020 BEFORE USE.

Design valid for use only with MiTek® connectors. This design is based only upon parameters shown, and is for an individual building component, not a truss system. Before use, the building designer must verify the applicability of design parameters and properly incorporate this design into the overall building design. Bracing indicated is to prevent buckling of individual truss web and/or chord members only. Additional temporary and permanent bracing is always required for stability and to prevent collapse with possible personal injury and property damage. For general guidance regarding the fabrication, storage, delivery, erection and bracing of trusses and truss systems, see

ANSI/TPI1 Quality Criteria, DSB-89 and BCSI Building Component

Safety Information available from Truss Plate Institute, 2670 Crain Highway, Suite 203 Waldorf, MD 20601



240 Stirling Crescent
 Bradford, ON. L3Z 4L5

Job	Truss	Truss Type	Qty	Ply	Buildings A-H	U1530853
N0653A	N2	MONOPITCH	120	1		

Alliance Truss (CA), Abbotsford, BC - V2S 7P6,

8.820 s Aug 30 2024 MiTek Industries, Inc. Thu Sep 12 02:48:12 2024 Page 1

ID:hFyjDMxrTsEK_kgkR0vWWVzFgC-zsVDAat8?amadmflky94dEMGZIGEMH9VQfci7YYeVr1



Scale = 1:20.4

PRMU20240282 BLDG E

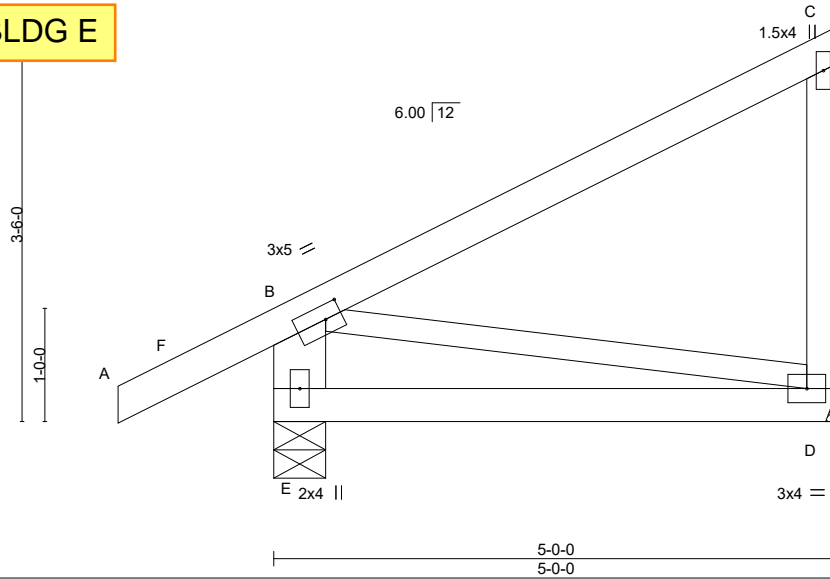


Plate Offsets (X,Y)-- [B:0-1-12,0-1-8]

LOADING (psf)	SPACING-	CSI.	DEFL.	in (loc)	l/defl	L/d	PLATES	GRIP
TCLL 25.0 (Roof Snow=25.0)	2-0-0 Plate Grip DOL 1.15	TC 0.54	Vert(LL)	-0.03	D-E	>999	MT20	197/144
TCDL 12.0	Lumber DOL 1.15	BC 0.22	Vert(CT)	-0.05	D-E	>999		
BCLL 0.0 *	Rep Stress Incr YES	WB 0.02	Horz(CT)	-0.00	D	n/a		
BCDL 10.0	Code IBC2018/TPI2014	Matrix-MP	Wind(LL)	0.00	E	****	Weight: 22 lb	FT = 20%

LUMBER-

TOP CHORD 2x4 SPF No.2
 BOT CHORD 2x4 SPF No.2
 WEBS 2x4 SPF No.2 *Except*
 B-E: 2x6 SPF No.2, B-D: 2x3 SPF No.2

BRACING-

TOP CHORD Structural wood sheathing directly applied or 5-0-0 oc purlins, except end verticals.
 BOT CHORD Rigid ceiling directly applied or 10-0-0 oc bracing.

REACTIONS.

(size) D=Mechanical, E=0-5-8
 Max Horz E=105(LC 7)
 Max Uplift D=-38(LC 10), E=-45(LC 10)
 Max Grav D=281(LC 17), E=485(LC 17)

FORCES. (lb) - Max. Comp./Max. Ten. - All forces 250 (lb) or less except when shown.

TOP CHORD B-E=-439/68

NOTES-

- 1) Wind: ASCE 7-16; Vult=115mph (3-second gust) Vasd=91mph; TCDL=4.2psf; BCDL=5.0psf; h=30ft; Ke=1.00; Cat. II; Exp B; Enclosed; MWFRS (envelope) gable end zone; cantilever left and right exposed; end vertical left and right exposed; Lumber DOL=1.33 plate grip DOL=1.33
- 2) TCLL: ASCE 7-16; Pf=25.0 psf (Lum DOL = 1.15 Plate DOL = 1.15); Is=1.0; Rough Cat B; Partially Exp.; Ce=1.0; Cs=1.00; Ct=1.10
- 3) Unbalanced snow loads have been considered for this design.
- 4) This truss has been designed for greater of min roof live load of 18.0 psf or 2.00 times flat roof load of 25.0 psf on overhangs non-concurrent with other live loads.
- 5) This truss has been designed for a 10.0 psf bottom chord live load nonconcurrent with any other live loads.
- 6) * This truss has been designed for a live load of 20.0psf on the bottom chord in all areas where a rectangle 3-6-0 tall by 2-0-0 wide will fit between the bottom chord and any other members.
- 7) Refer to girder(s) for truss to truss connections.
- 8) Provide mechanical connection (by others) of truss to bearing plate capable of withstanding 100 lb uplift at joint(s) D, E.
- 9) This truss is designed in accordance with the 2018 International Building Code section 2306.1 and referenced standard ANSI/TPI 1.



September 12, 2024

WARNING - Verify design parameters and READ NOTES ON THIS AND INCLUDED MITEK REFERENCE PAGE MII-7473 rev. 6/30/2020 BEFORE USE.

Design valid for use only with MiTek® connectors. This design is based only upon parameters shown, and is for an individual building component, not a truss system. Before use, the building designer must verify the applicability of design parameters and properly incorporate this design into the overall building design. Bracing indicated is to prevent buckling of individual truss web and/or chord members only. Additional temporary and permanent bracing is always required for stability and to prevent collapse with possible personal injury and property damage. For general guidance regarding the fabrication, storage, delivery, erection and bracing of trusses and truss systems, see

Safety Information available from Truss Plate Institute, 2670 Crain Highway, Suite 203 Waldorf, MD 20601



240 Stirling Crescent
 Bradford, ON. L3Z 4L5

Job	Truss	Truss Type	Qty	Ply	Buildings A-H	U1530854
N0653A	P1	GABLE	7	1		

Alliance Truss (CA), Abbotsford, BC - V2S 7P6,

8.820 s Aug 30 2024 MiTek Industries, Inc. Thu Sep 12 02:48:14 2024 Page 1

ID:hFyjDMxrTsEK_kgkR0vWWVzFlgc-vFd_bZ9G6OqL?zS73Z65JnLs14pLlqDj7wnEcQyeVr?

PRMU20240282 BLDG E

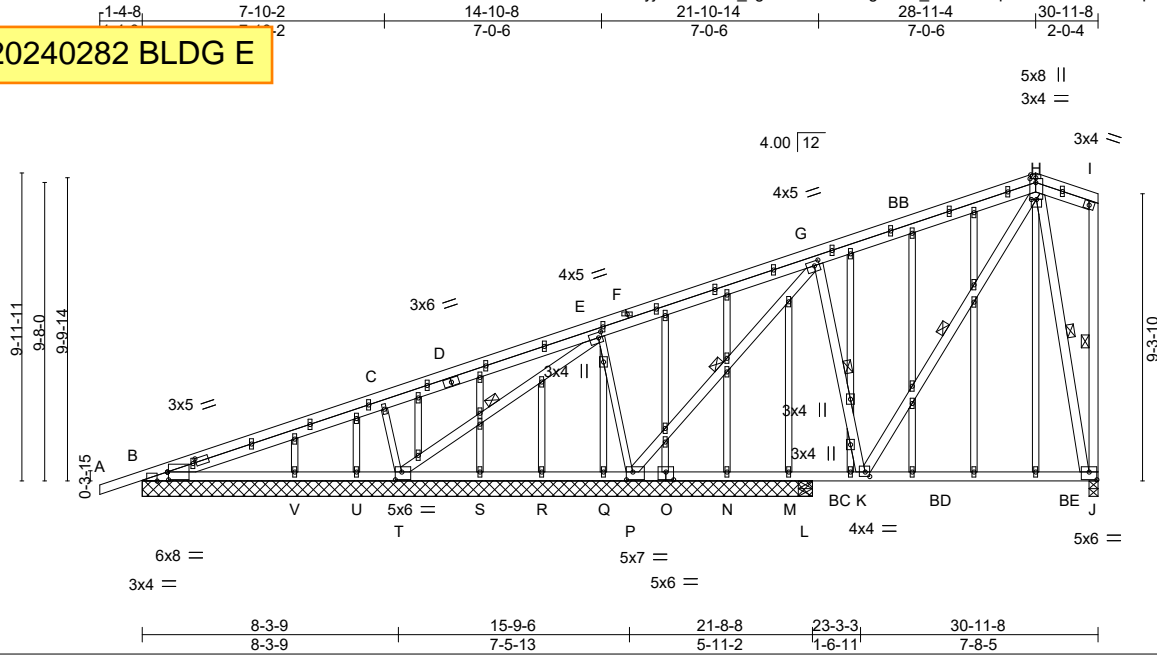


Plate Offsets (X,Y)-- [B:0-0-7,0-3-0], [B:0-11-12,0-1-8], [B:0-4-0,Edge], [E:0-1-8,0-2-0], [G:0-2-0,0-1-12], [H:0-1-8,0-2-4], [H:0-2-0,0-0-0], [H:0-2-0,Edge], [J:0-3-0,0-3-0], [K:0-1-12,0-1-12], [O:0-3-0,0-3-0], [P:0-2-8,0-3-0], [T:0-2-8,0-3-0]

LOADING (psf)	SPACING-	CSI.	DEFL.	in (loc)	l/defl	L/d	PLATES	GRIP
TCLL 25.0 (Roof Snow=25.0)	2-0-0	TC 0.75	Vert(LL) -0.16	J-K	>692	360	MT20	197/144
TCDL 12.0	Lumber DOL 1.15	BC 0.64	Vert(CT) -0.26	J-K	>432	240		
BCLL 0.0 *	Rep Stress Incr YES	WB 0.97	Horz(CT) -0.02	N	n/a	n/a		
BCDL 10.0	Code IBC2018/TPI2014	Matrix-MS	Wind(LL) 0.04	V-BA	>999	240	Weight: 226 lb	FT = 20%

LUMBER-	BRACING-
TOP CHORD 2x4 SPF No.2	TOP CHORD Structural wood sheathing directly applied or 3-3-3 oc purlins, except end verticals.
BOT CHORD 2x4 SPF No.2	BOT CHORD Rigid ceiling directly applied or 3-9-8 oc bracing.
WEBS 2x4 SPF No.2 *Except*	WEBS 1 Row at midpt E-T, G-P, G-K, H-K, I-J, H-J
C-T,E-P: 2x3 SPF No.2	
OTHERS 2x3 SPF No.2	

REACTIONS. All bearings 21-8-8 except (jt=length) J=0-3-8, L=0-5-8.
 (lb) - Max Horz B=754(LC 35)
 Max Uplift All uplift 100 lb or less at joint(s) M, U, V except B=-1006(LC 32), T=-1651(LC 40), P=-1094(LC 32), J=-1170(LC 33), L=-198(LC 19)
 Max Grav All reactions 250 lb or less at joint(s) M, N, Q, R, S, U, L except B=1117(LC 27), T=1750(LC 53), P=1693(LC 29), J=1557(LC 26), V=330(LC 26), B=481(LC 1)

FORCES. (lb) - Max. Comp./Max. Ten. - All forces 250 (lb) or less except when shown.
 TOP CHORD B-C=-2932/2749, C-E=-966/930, E-G=-1569/1477, G-H=-1624/1472, H-I=-529/553
 BOT CHORD B-V=-2174/2051, U-V=-1082/954, T-U=-393/270, S-T=-1915/1800, R-S=-1022/908, Q-R=-592/477, P-Q=-891/776, N-P=-903/1006, M-N=-1023/1097, L-M=-1209/1282, K-L=-1209/1282, J-K=-293/295
 WEBS C-T=-539/202, E-T=-2562/2500, E-P=-943/931, G-P=-2452/2236, G-K=-1136/1260, H-K=-1336/1472, H-J=-1456/1228

- NOTES-**
- 1) Wind: ASCE 7-16; Vult=115mph (3-second gust) Vasd=91mph; TCDL=4.2psf; BCDL=5.0psf; h=30ft; Ke=1.00; Cat. II; Exp B; Enclosed; MWFRS (envelope) gable end zone; cantilever left and right exposed ; end vertical left and right exposed; Lumber DOL=1.33 plate grip DOL=1.33
 - 2) Truss designed for wind loads in the plane of the truss only. For studs exposed to wind (normal to the face), see Standard Industry Gable End Details as applicable, or consult qualified building designer as per ANSI/TPI 1.
 - 3) TCLL: ASCE 7-16; Pf=25.0 psf (Lum DOL = 1.15 Plate DOL = 1.15); ls=1.0; Rough Cat B; Partially Exp.; Ce=1.0; Cs=1.00; Ct=1.10
 - 4) Unbalanced snow loads have been considered for this design.
 - 5) This truss has been designed for greater of min roof live load of 20.0 psf or 2.00 times flat roof load of 25.0 psf on overhangs non-concurrent with other live loads.
 - 6) All plates are 1.5x4 MT20 unless otherwise indicated.
 - 7) Gable studs spaced at 2-0-0 oc.
 - 8) This truss has been designed for a 10.0 psf bottom chord live load nonconcurrent with any other live loads.
 - 9) * This truss has been designed for a live load of 20.0psf on the bottom chord in all areas where a rectangle 3-6-0 tall by 2-0-0 wide will fit between the bottom chord and any other members, with BCDL = 10.0psf.
 - 10) Provide mechanical connection (by others) of truss to bearing plate capable of withstanding 100 lb uplift at joint(s) M, U, V except (jt=lb) B=1006, T=1651, P=1094, J=1170, L=198, B=1006.



September 12, 2024

Job	Truss	Truss Type	Qty	Ply	Buildings A-H
N0653A	P1	GABLE	7	1	U1530854

Alliance Truss (CA), Abbotsford, BC - V2S 7P6,

8.820 s Aug 30 2024 MiTek Industries, Inc. Thu Sep 12 02:48:14 2024 Page 2
 ID:hFyjDMxrTsEK_kgkR0vWWVzFlgc-vFd_bZ9G6OqL?zS73Z65JnLs14pLqDj7wnEcQyeVr?

NOTES-

- 11) This truss is designed in accordance with the 2018 International Building Code section 2306.1 and referenced standard ANSI/TPI 1.
- 12) **PRMU20240282 BLDG E** of 240 plf. Lumber DOL=(1.33) Plate grip DOL=(1.33) Connect truss to resist drag loads along bottom chord from 0-0-0
- 13) ~~Use notes and see information and tie rods from~~ left end and 0 from right end or 12" along rake from scarf, whichever is larger. Minimum 1.5x4 tie plates required at 2-0-0 o.c. maximum between the stacking chords. For edge-wise notching, provide at least one tie plate between each notch.

WARNING - Verify design parameters and READ NOTES ON THIS AND INCLUDED MITEK REFERENCE PAGE MII-7473 rev. 6/30/2020 BEFORE USE.
 Design valid for use only with MiTek® connectors. This design is based only upon parameters shown, and is for an individual building component, not a truss system. Before use, the building designer must verify the applicability of design parameters and properly incorporate this design into the overall building design. Bracing indicated is to prevent buckling of individual truss web and/or chord members only. Additional temporary and permanent bracing is always required for stability and to prevent collapse with possible personal injury and property damage. For general guidance regarding the fabrication, storage, delivery, erection and bracing of trusses and truss systems, see **ANSI/TPI1 Quality Criteria, DSB-89 and BCSI Building Component Safety Information** available from Truss Plate Institute, 2670 Crain Highway, Suite 203 Waldorf, MD 20601

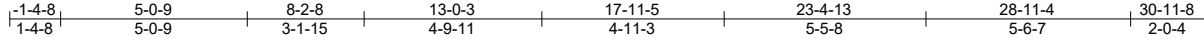


Job	Truss	Truss Type	Qty	Ply	Buildings A-H	U1530855
N0653A	P2A	Scissor	38	1		

Alliance Truss (CA), Abbotsford, BC - V2S 7P6,

8.820 s Aug 30 2024 MiTek Industries, Inc. Thu Sep 12 02:48:15 2024 Page 1

ID:hFyjDMxrTsEK_kgkR0vWWWzFlgc-NRBMovAuthyCd61JdHeKs_u3ET5VUJXLZWN9syeVr_



PRMU20240282 BLDG E

Scale = 1:62.3

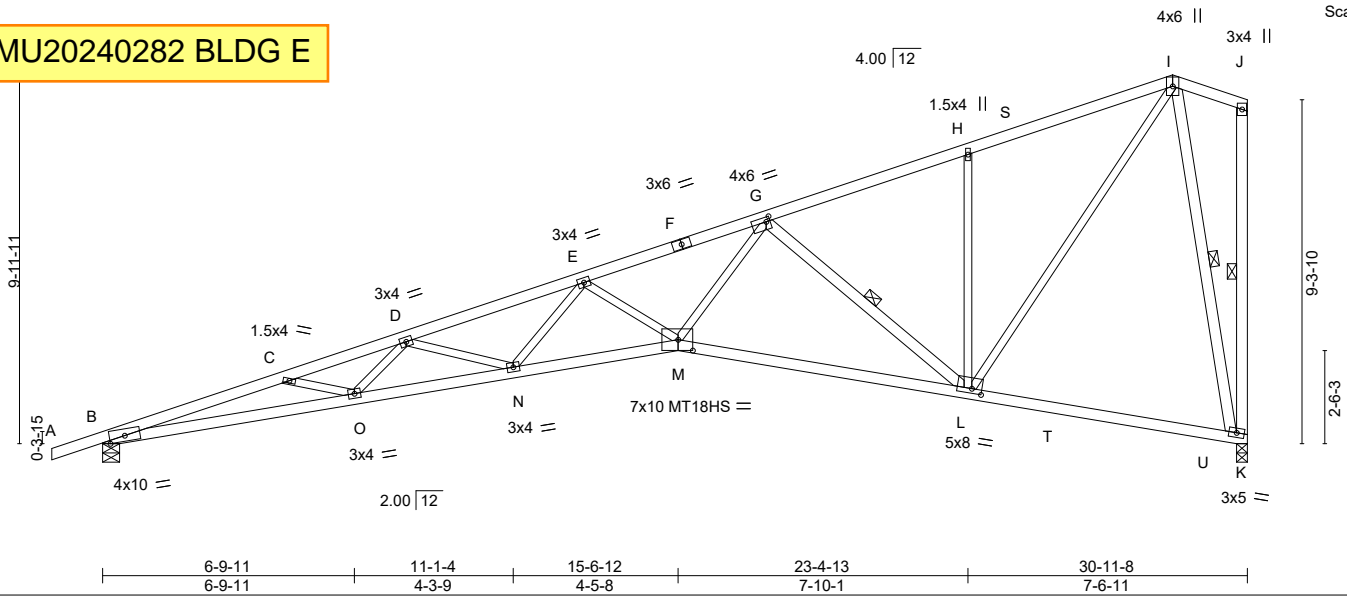


Plate Offsets (X,Y)-- [G:0-1-4,0-1-8], [L:0-3-4,0-1-8], [M:0-4-12,0-3-8]

LOADING (psf)	SPACING-	CSI.	DEFL.	PLATES	GRIP
TCLL 25.0 (Roof Snow=25.0)	2-0-0 Plate Grip DOL 1.15 Lumber DOL 1.15 Rep Stress Incr YES Code IBC2018/TPI2014	TC 0.59 BC 0.83 WB 0.84 Matrix-MS	in (loc) l/defl L/d Vert(LL) -0.54 N-O >683 360 Vert(CT) -0.98 N-O >376 240 Horz(CT) 0.45 K n/a n/a Wind(LL) 0.31 N-O >999 240	MT20 MT18HS Weight: 131 lb	197/144 197/144 FT = 20%

LUMBER-

TOP CHORD 2x4 SPF No.2 *Except*
A-F: 2x4 SPF 2100F 1.8E
BOT CHORD 2x4 SPF 2100F 1.8E
WEBS 2x3 SPF No.2 *Except*
G-L,J-K,I-K: 2x4 SPF No.2

BRACING-

TOP CHORD Structural wood sheathing directly applied or 2-4-4 oc purlins, except end verticals.
BOT CHORD Rigid ceiling directly applied or 8-3-6 oc bracing.
WEBS 1 Row at midpt G-L, J-K, I-K

REACTIONS.

(size) B=0-5-8, K=0-3-8
Max Horz B=300(LC 9)
Max Uplift B=-205(LC 6), K=-185(LC 6)
Max Grav B=1586(LC 3), K=1547(LC 3)

FORCES. (lb) - Max. Comp./Max. Ten. - All forces 250 (lb) or less except when shown.

TOP CHORD B-C=-6709/822, C-D=-6571/758, D-E=-5757/677, E-G=-4567/538, G-H=-1496/191, H-I=-1515/253
BOT CHORD B-O=-903/6397, N-O=-838/6187, M-N=-656/5068, L-M=-362/2974, K-L=-89/322
WEBS D-N=-721/153, E-N=-55/729, E-M=-877/183, G-M=-259/2437, G-L=-2054/322, H-L=-479/152, I-L=-262/1982, I-K=-1478/168

NOTES-

- 1) Wind: ASCE 7-16; Vult=115mph (3-second gust) Vasd=91mph; TC DL=4.2psf; BCDL=5.0psf; h=30ft; Ke=1.00; Cat. II; Exp B; Enclosed; MWFRS (envelope) gable end zone; cantilever left and right exposed; end vertical left and right exposed; Lumber DOL=1.33 plate grip DOL=1.33
- 2) TCLL: ASCE 7-16; Pf=25.0 psf (Lum DOL = 1.15 Plate DOL = 1.15); Is=1.0; Rough Cat B; Partially Exp.; Ce=1.0; Cs=1.00; Ct=1.10
- 3) Unbalanced snow loads have been considered for this design.
- 4) This truss has been designed for greater of min roof live load of 20.0 psf or 2.00 times flat roof load of 25.0 psf on overhangs non-concurrent with other live loads.
- 5) All plates are MT20 plates unless otherwise indicated.
- 6) This truss has been designed for a 10.0 psf bottom chord live load nonconcurrent with any other live loads.
- 7) * This truss has been designed for a live load of 20.0psf on the bottom chord in all areas where a rectangle 3-6-0 tall by 2-0-0 wide will fit between the bottom chord and any other members, with BCDL = 10.0psf.
- 8) Bearing at joint(s) B, K considers parallel to grain value using ANSI/TPI 1 angle to grain formula. Building designer should verify capacity of bearing surface.
- 9) Provide mechanical connection (by others) of truss to bearing plate capable of withstanding 100 lb uplift at joint(s) except (jt=lb) B=205, K=185.
- 10) This truss is designed in accordance with the 2018 International Building Code section 2306.1 and referenced standard ANSI/TPI 1.



September 12, 2024

WARNING - Verify design parameters and READ NOTES ON THIS AND INCLUDED MITEK REFERENCE PAGE MII-7473 rev. 6/30/2020 BEFORE USE.

Design valid for use only with MiTek® connectors. This design is based only upon parameters shown, and is for an individual building component, not a truss system. Before use, the building designer must verify the applicability of design parameters and properly incorporate this design into the overall building design. Bracing indicated is to prevent buckling of individual truss web and/or chord members only. Additional temporary and permanent bracing is always required for stability and to prevent collapse with possible personal injury and property damage. For general guidance regarding the fabrication, storage, delivery, erection and bracing of trusses and truss systems, see

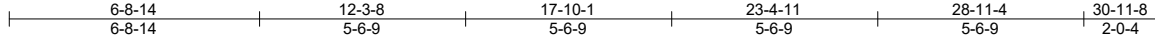
Safety Information available from Truss Plate Institute, 2670 Crain Highway, Suite 203 Waldorf, MD 20601



240 Stirling Crescent
Bradford, ON. L3Z 4L5

Job	Truss	Truss Type	Qty	Ply	Buildings A-H	U1530856
N0653A	P3A	Scissor	4	1		

Alliance Truss (CA), Abbotsford, BC - V2S 7P6, 8.820 s Aug 30 2024 MiTek Industries, Inc. Thu Sep 12 02:48:16 2024 Page 1
 ID:hFyjDMxrTsEK_kgkR0vWVWzFlgc-rdlk?FBWw?43FGcVB_9ZOCQC5rJDms0aDGLgJyeVqz



PRMU20240282 BLDG E

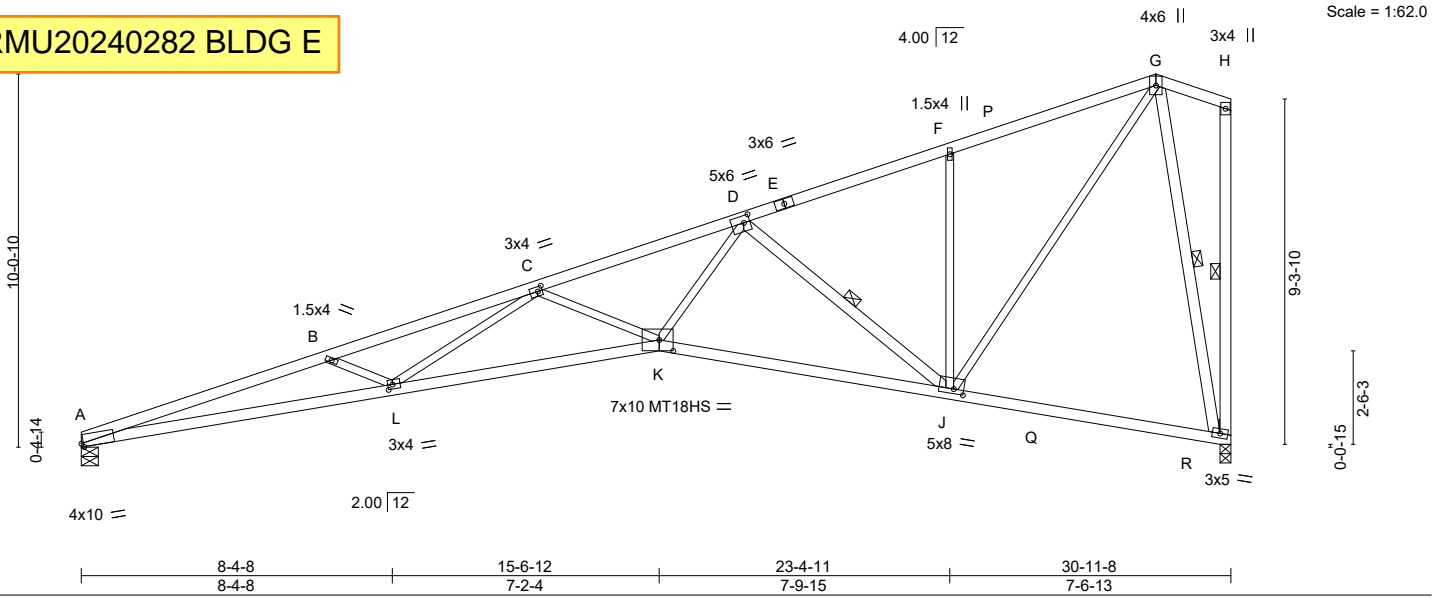


Plate Offsets (X,Y)-- [A:0-0-11,Edge], [C:0-1-8,0-1-8], [D:0-2-0,0-2-4], [J:0-3-4,0-1-8], [K:0-4-8,0-3-8], [L:0-1-8,0-1-8]

LOADING (psf)	SPACING-	CSI.	DEFL.	PLATES	GRIP
TCLL 25.0 (Roof Snow=25.0)	2-0-0 Plate Grip DOL 1.15	TC 0.72	in (loc) l/defl L/d	MT20	197/144
TCDL 12.0	Lumber DOL 1.15	BC 0.86	Vert(LL) -0.59 K-L >623 360	MT18HS	197/144
BCLL 0.0 *	Rep Stress Incr YES	WB 0.83	Vert(CT) -1.09 K-L >339 240		
BCDL 10.0	Code IBC2018/TPI2014	Matrix-MS	Horz(CT) 0.45 I n/a n/a		
			Wind(LL) 0.32 K-L >999 240	Weight: 127 lb	FT = 20%

LUMBER-

TOP CHORD 2x4 SPF No.2 *Except*
 A-E: 2x4 SPF 2100F 1.8E
 BOT CHORD 2x4 SPF 2100F 1.8E
 WEBS 2x3 SPF No.2 *Except*
 D-J,H-I,G-I: 2x4 SPF No.2

BRACING-

TOP CHORD Structural wood sheathing directly applied or 2-3-2 oc purlins, except end verticals.
 BOT CHORD Rigid ceiling directly applied or 8-2-2 oc bracing.
 WEBS 1 Row at midpt D-J, H-I, G-I

REACTIONS.

(size) A=0-5-8, I=0-3-8
 Max Horz A=292(LC 9)
 Max Uplift A=-160(LC 6), I=-186(LC 6)
 Max Grav A=1499(LC 3), I=1549(LC 3)

FORCES. (lb) - Max. Comp./Max. Ten. - All forces 250 (lb) or less except when shown.

TOP CHORD A-B=-6798/848, B-C=-6399/734, C-D=-4600/539, D-F=-1502/193, F-G=-1520/255
 BOT CHORD A-L=-921/6500, K-L=-713/5265, J-K=-372/3038, I-J=-89/322
 WEBS B-L=-487/180, C-L=-55/1066, C-K=-995/222, D-K=-249/2425, D-J=-2108/331,
 F-J=-480/151, G-J=-263/1985, G-I=-1478/168

NOTES-

- 1) Wind: ASCE 7-16; Vult=115mph (3-second gust) Vasd=91mph; TCDL=4.2psf; BCDL=5.0psf; h=30ft; Ke=1.00; Cat. II; Exp B; Enclosed; MWFRS (envelope) gable end zone; cantilever left and right exposed; end vertical left and right exposed; Lumber DOL=1.33 plate grip DOL=1.33
- 2) TCLL: ASCE 7-16; Pf=25.0 psf (Lum DOL = 1.15 Plate DOL = 1.15); Is=1.0; Rough Cat B; Partially Exp.; Ce=1.0; Cs=1.00; Ct=1.10
- 3) Unbalanced snow loads have been considered for this design.
- 4) All plates are MT20 plates unless otherwise indicated.
- 5) This truss has been designed for a 10.0 psf bottom chord live load nonconcurrent with any other live loads.
- 6) * This truss has been designed for a live load of 20.0psf on the bottom chord in all areas where a rectangle 3-6-0 tall by 2-0-0 wide will fit between the bottom chord and any other members, with BCDL = 10.0psf.
- 7) Bearing at joint(s) I considers parallel to grain value using ANSI/TPI 1 angle to grain formula. Building designer should verify capacity of bearing surface.
- 8) Provide mechanical connection (by others) of truss to bearing plate capable of withstanding 100 lb uplift at joint(s) except (jt=Ib) A=160, I=186.
- 9) Beveled plate or shim required to provide full bearing surface with truss chord at joint(s) A.
- 10) This truss is designed in accordance with the 2018 International Building Code section 2306.1 and referenced standard ANSI/TPI 1.



September 12, 2024

WARNING - Verify design parameters and READ NOTES ON THIS AND INCLUDED MITEK REFERENCE PAGE MII-7473 rev. 6/30/2020 BEFORE USE.

Design valid for use only with MiTek® connectors. This design is based only upon parameters shown, and is for an individual building component, not a truss system. Before use, the building designer must verify the applicability of design parameters and properly incorporate this design into the overall building design. Bracing indicated is to prevent buckling of individual truss web and/or chord members only. Additional temporary and permanent bracing is always required for stability and to prevent collapse with possible personal injury and property damage. For general guidance regarding the fabrication, storage, delivery, erection and bracing of trusses and truss systems, see

Safety Information available from Truss Plate Institute, 2670 Crain Highway, Suite 203 Waldorf, MD 20601
 ANSI/TPI1 Quality Criteria, DSB-89 and BCSI Building Component



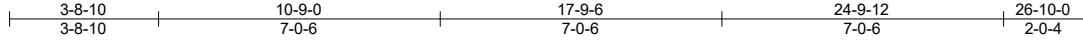
240 Stirling Crescent
 Bradford, ON. L3Z 4L5

Job	Truss	Truss Type	Qty	Ply	Buildings A-H	U1530788
N0653A	P4	Common	25	1		

Alliance Truss (CA), Abbotsford, BC - V2S 7P6,

8.630 s Jul 12 2024 MiTek Industries, Inc. Thu Sep 12 02:47:35 2024 Page 1

ID:hFyjDMxrTsEK_kgkR0vWWVzFfgc-RfC?PsB70Hq3NSgPqnL8w3ulTXbGKWrCDoi7J4zJC?f



PRMU20240282 BLDG E

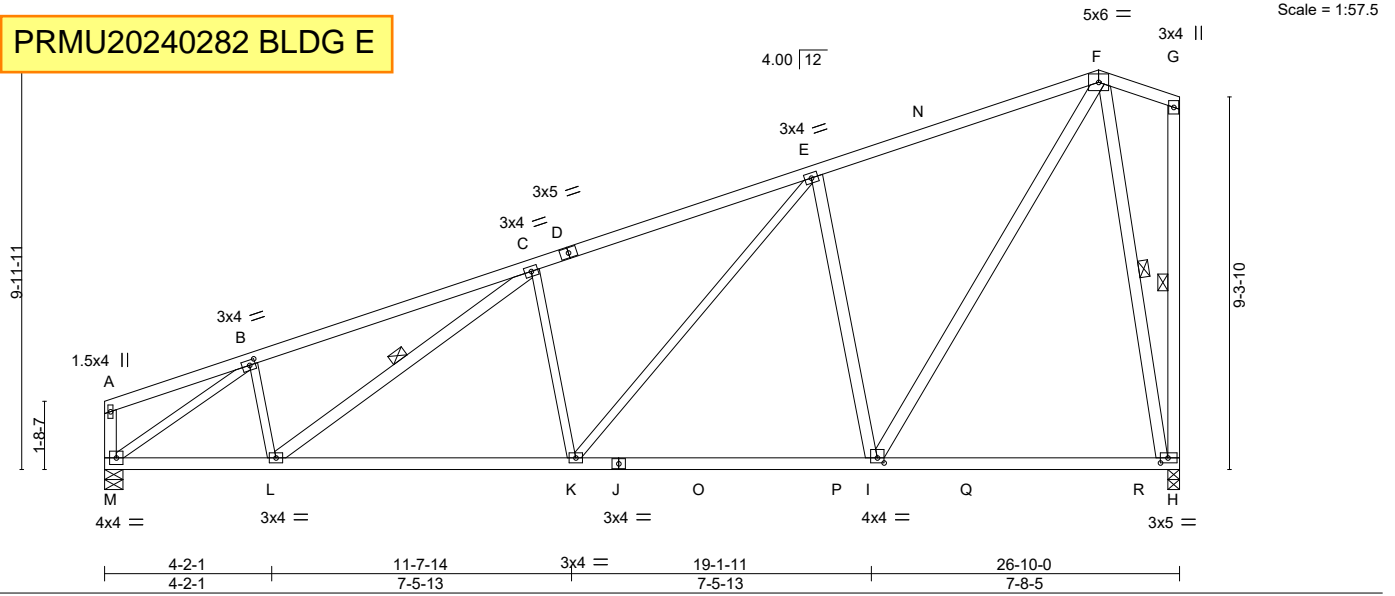


Plate Offsets (X,Y)-- [B:0-1-12,0-1-8], [H:0-2-4,0-1-8], [I:0-2-0,0-1-8]

LOADING (psf)	SPACING-	CSI.	DEFL.	PLATES	GRIP
TCLL 25.0 (Roof Snow=25.0)	2-0-0 Plate Grip DOL 1.15 Lumber DOL 1.15	TC 0.72 BC 0.72 WB 0.97 Matrix-MS	in (loc) l/defl L/d Vert(LL) -0.16 H-I >999 360 Vert(CT) -0.26 H-I >999 240 Horz(CT) 0.05 H n/a n/a Wind(LL) 0.06 K-L >999 240	MT20	197/144
TCDL 12.0	Rep Stress Incr YES Code IBC2018/TPI2014			Weight: 132 lb	FT = 20%
BCLL 0.0 *					
BCDL 10.0					

LUMBER-

TOP CHORD 2x4 SPF No.2
 BOT CHORD 2x4 SPF No.2
 WEBS 2x4 SPF No.2 *Except*
 B-L,C-K,E-K,B-M: 2x3 SPF No.2

BRACING-

TOP CHORD Structural wood sheathing directly applied or 3-7-7 oc purlins, except end verticals.
 BOT CHORD Rigid ceiling directly applied or 10-0-0 oc bracing.
 WEBS 1 Row at midpt C-L, G-H, F-H

REACTIONS.

(size) M=0-5-8, H=0-3-8
 Max Horz M=285(LC 9)
 Max Uplift M=-134(LC 6), H=-162(LC 6)
 Max Grav M=1315(LC 3), H=1375(LC 3)

FORCES. (lb) - Max. Comp./Max. Ten. - All forces 250 (lb) or less except when shown.

TOP CHORD B-C=-1838/235, C-E=-1856/258, E-F=-1121/203
 BOT CHORD L-M=-260/1628, K-L=-227/1770, I-K=-132/1159, H-I=-84/251
 WEBS B-L=0/298, C-K=-472/178, E-K=-127/854, E-I=-983/250, F-I=-199/1456, B-M=-1974/205, F-H=-1277/165

NOTES-

- Wind: ASCE 7-16; Vult=115mph (3-second gust) Vasd=91mph; TCDL=4.2psf; BCDL=5.0psf; h=30ft; Ke=1.00; Cat. II; Exp B; Enclosed; MWFRS (envelope) gable end zone; cantilever left and right exposed ; end vertical left and right exposed; Lumber DOL=1.33 plate grip DOL=1.33
- TCLL: ASCE 7-16; Pf=25.0 psf (Lum DOL=1.15 Plate DOL=1.15); Is=1.0; Rough Cat B; Partially Exp.; Ce=1.0; Cs=1.00; Ct=1.10
- Unbalanced snow loads have been considered for this design.
- This truss has been designed for a 10.0 psf bottom chord live load nonconcurrent with any other live loads.
- * This truss has been designed for a live load of 20.0psf on the bottom chord in all areas where a rectangle 3-6-0 tall by 2-0-0 wide will fit between the bottom chord and any other members, with BCDL = 10.0psf.
- Provide mechanical connection (by others) of truss to bearing plate capable of withstanding 100 lb uplift at joint(s) except (jt=lb) M=134, H=162.
- This truss is designed in accordance with the 2018 International Building Code section 2306.1 and referenced standard ANSI/TPI 1.



September 12, 2024

WARNING - Verify design parameters and READ NOTES ON THIS AND INCLUDED MITEK REFERENCE PAGE MII-7473 rev. 6/30/2020 BEFORE USE.

Design valid for use only with MiTek® connectors. This design is based only upon parameters shown, and is for an individual building component, not a truss system. Before use, the building designer must verify the applicability of design parameters and properly incorporate this design into the overall building design. Bracing indicated is to prevent buckling of individual truss web and/or chord members only. Additional temporary and permanent bracing is always required for stability and to prevent collapse with possible personal injury and property damage. For general guidance regarding the fabrication, storage, delivery, erection and bracing of trusses and truss systems, see

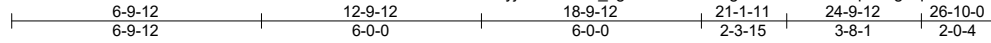
Safety Information available from Truss Plate Institute, 2670 Crain Highway, Suite 203 Waldorf, MD 20601



240 Stirling Crescent
 Bradford, ON. L3Z 4L5

Job	Truss	Truss Type	Qty	Ply	Buildings A-H	U1530789
N0653A	P5	GABLE	4	1		

Alliance Truss (CA), Abbotsford, BC - V2S 7P6, 8.630 s Jul 12 2024 MiTek Industries, Inc. Thu Sep 12 02:47:37 2024 Page 1
 ID:hFyjDMxrTsEK_kgkR0vWWVzFfgc-RfC?PsB70Hq3NSgPqnL8w3ulTXbGKwRCDoi7J4zJC?f



PRMU20240282 BLDG E

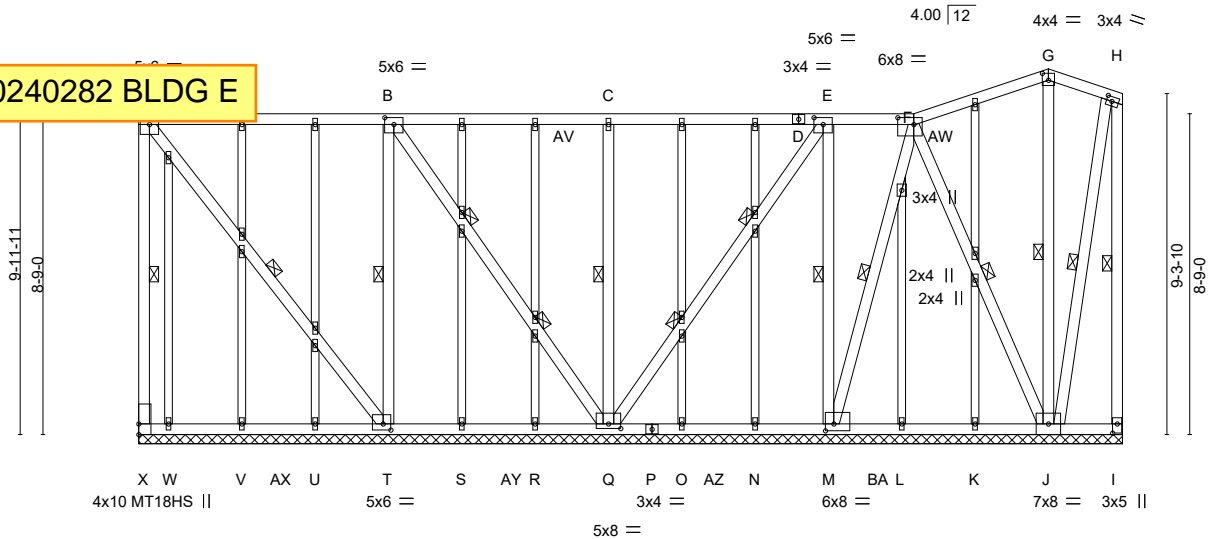


Plate Offsets (X,Y)-- [A:0-3-0,0-1-12], [B:0-3-0,0-2-4], [E:0-3-0,0-2-4], [F:0-5-4,0-2-4], [G:0-2-0,0-2-4], [H:0-1-12,0-1-8], [I:0-3-0,0-1-8], [M:0-2-12,0-2-4], [Q:0-4-0,0-1-8], [T:0-2-8,0-2-0]

LOADING (psf)	SPACING-	CSI.	DEFL.	PLATES	GRIP
TCLL 25.0 (Roof Snow=25.0)	2-0-0	TC 0.85	in (loc) l/defl L/d	MT20	197/144
TCDL 12.0	Plate Grip DOL 1.15	BC 0.33	Vert(LL) n/a - n/a 999	MT18HS	197/144
BCLL 0.0 *	Lumber DOL 1.15	WB 0.98	Vert(CT) n/a - n/a 999		
BCDL 10.0	Rep Stress Incr YES	Matrix-S	Horz(CT) -0.01 Q n/a n/a		
	Code IBC2018/TPI2014			Weight: 242 lb	FT = 20%

LUMBER-	BRACING-
TOP CHORD 2x4 SPF No.2	TOP CHORD Structural wood sheathing directly applied or 4-1-14 oc purlins, except end verticals.
BOT CHORD 2x4 SPF No.2	BOT CHORD Rigid ceiling directly applied or 4-7-5 oc bracing.
WEBS 2x4 SPF No.2 *Except*	WEBS 1 Row at midpt A-X, A-T, B-T, C-Q, E-M, F-M, F-J, G-J, H-I, H-J
A-X,A-T: 2x4 SPF 2100F 1.8E	2 Rows at 1/3 pts B-Q, E-Q
OTHERS 2x3 SPF No.2	

REACTIONS. All bearings 26-10-0.
 (lb) - Max Horz X=-159(LC 37)
 Max Uplift All uplift 100 lb or less at joint(s) except X=-2533(LC 36), T=-542(LC 41), Q=-227(LC 40), M=-774(LC 32), J=-1684(LC 33), I=-853(LC 35), W=-126(LC 35)
 Max Grav All reactions 250 lb or less at joint(s) K, L, N, O, R, S, U, V, W except X=2473(LC 35), T=751(LC 28), Q=1118(LC 68), M=899(LC 29), J=1770(LC 52), I=871(LC 52)

FORCES. (lb) - Max. Comp./Max. Ten. - All forces 250 (lb) or less except when shown.
 TOP CHORD A-X=-2388/2402, A-B=-1877/1861, B-C=-1612/1590, C-E=-1375/1353, E-F=-541/522, F-G=-1250/1223, G-H=-294/311, H-I=-848/853
 BOT CHORD V-W=708/702, U-V=-1188/1182, T-U=-1668/1662, S-T=-282/274, R-S=-762/754, Q-R=-1242/1234, O-Q=-1493/1488, N-O=-1013/1008, M-N=-533/528, L-M=-766/763, K-L=-286/283, J-K=-696/693, I-J=-448/448
 WEBS A-T=-3019/3015, B-T=-1990/1993, B-Q=-2347/2335, C-Q=-658/135, E-Q=-2411/2408, E-M=-1962/1955, F-M=-2717/2714, F-J=-2461/2468, G-J=-329/236, H-J=-798/798

- NOTES-**
- 1) Wind: ASCE 7-16; Vult=115mph (3-second gust) Vasd=91mph; TCDL=4.2psf; BCDL=5.0psf; h=30ft; Ke=1.00; Cat. II; Exp B; Enclosed; MWFRS (envelope) gable end zone; cantilever left exposed; end vertical left exposed; Lumber DOL=1.33 plate grip DOL=1.33
 - 2) Truss designed for wind loads in the plane of the truss only. For studs exposed to wind (normal to the face), see Standard Industry Gable End Details as applicable, or consult qualified building designer as per ANSI/TPI 1.
 - 3) TCLL: ASCE 7-16; Pf=25.0 psf (Lum DOL=1.15 Plate DOL=1.15); Is=1.0; Rough Cat B; Partially Exp.; Ce=1.0; Cs=1.00; Ct=1.10
 - 4) Unbalanced snow loads have been considered for this design.
 - 5) Provide adequate drainage to prevent water ponding.
 - 6) All plates are MT20 plates unless otherwise indicated.
 - 7) All plates are 1.5x4 MT20 unless otherwise indicated.
 - 8) Gable requires continuous bottom chord bearing.
 - 9) Gable studs spaced at 2-0-0 oc.
 - 10) This truss has been designed for a 10.0 psf bottom chord live load nonconcurrent with any other live loads.
 - 11) * This truss has been designed for a live load of 20.0psf on the bottom chord in all areas where a rectangle 3-6-0 tall by 2-0-0 wide will fit between the bottom chord and any other members, with BCDL = 10.0psf.



September 12, 2024

Continued on page 2

WARNING - Verify design parameters and READ NOTES ON THIS AND INCLUDED MITEK REFERENCE PAGE MII-7473 rev. 6/30/2020 BEFORE USE.
 Design valid for use only with MiTek® connectors. This design is based only upon parameters shown, and is for an individual building component, not a truss system. Before use, the building designer must verify the applicability of design parameters and properly incorporate this design into the overall building design. Bracing indicated is to prevent buckling of individual truss web and/or chord members only. Additional temporary and permanent bracing is always required for stability and to prevent collapse with possible personal injury and property damage. For general guidance regarding the fabrication, storage, delivery, erection and bracing of trusses and truss systems, see **ANSI/TPI1 Quality Criteria, DSB-89 and BCSI Building Component Safety Information** available from Truss Plate Institute, 2670 Crain Highway, Suite 203 Waldorf, MD 20601

240 Stirling Crescent
 Bradford, ON. L3Z 4L5

Job	Truss	Truss Type	Qty	Ply	Buildings A-H	U1530789
N0653A	P5	GABLE	4	1	Job Reference (optional)	

Alliance Truss (CA), Abbotsford, BC - V2S 7P6,

8.630 s Jul 12 2024 MiTek Industries, Inc. Thu Sep 12 02:47:37 2024 Page 2
ID:hFyjDMxrTsEK_kgkR0vWWVzFigc-RfC?PsB70Hq3NSgPqnL8w3ulTXbGKWrCDoi7J4zJC?f

NOTES-

- 12) Provide mechanical connection (by others) of truss to bearing plate capable of withstanding 2533 lb uplift at joint X, 542 lb uplift at joint T, 227 lb uplift at joint Q, 774 lb uplift at joint M, 1684 lb uplift at joint J, 853 lb uplift at joint I and 126 lb uplift at joint W.
- 13) This truss is designed in accordance with the 2018 International Building Code section 2306.1 and referenced standard ANSI/TPI 1.
- 14) This truss has been designed for a total drag load of 240 plf. Lumber DOL=(1.33) Plate grip DOL=(1.33) Connect truss to resist drag loads along bottom chord from 0-0-0 to 26-10-0 for 240.0 plf.

PRMU20240282 BLDG E

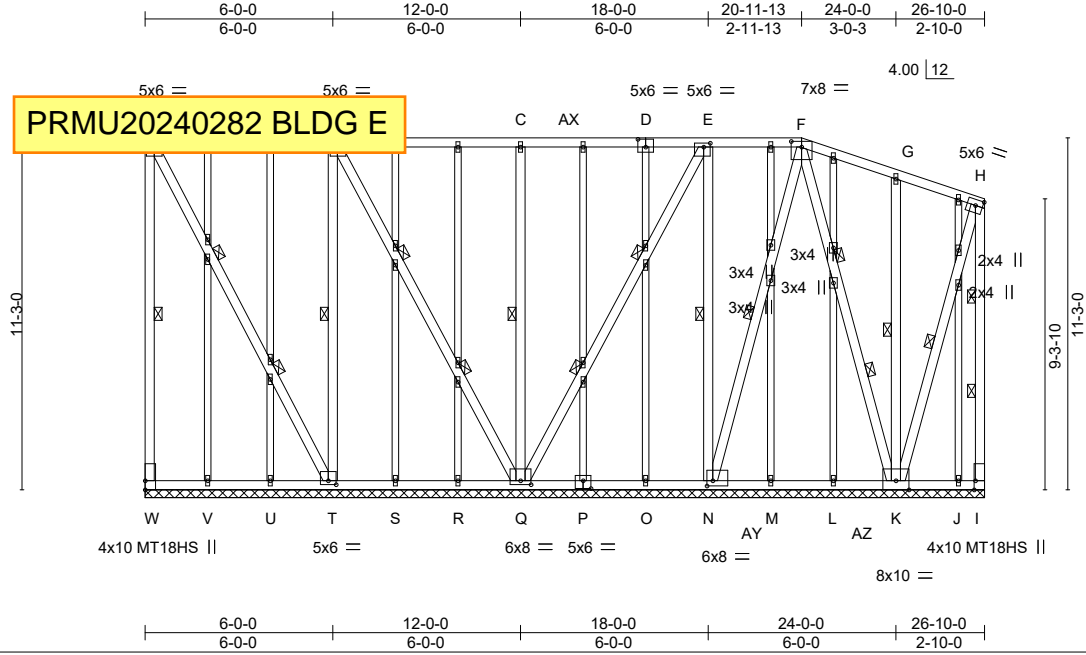
WARNING - Verify design parameters and READ NOTES ON THIS AND INCLUDED MITEK REFERENCE PAGE MII-7473 rev. 6/30/2020 BEFORE USE.
Design valid for use only with MiTek® connectors. This design is based only upon parameters shown, and is for an individual building component, not a truss system. Before use, the building designer must verify the applicability of design parameters and properly incorporate this design into the overall building design. Bracing indicated is to prevent buckling of individual truss web and/or chord members only. Additional temporary and permanent bracing is always required for stability and to prevent collapse with possible personal injury and property damage. For general guidance regarding the fabrication, storage, delivery, erection and bracing of trusses and truss systems, see **ANSI/TPI1 Quality Criteria, DSB-89 and BCSI Building Component Safety Information** available from Truss Plate Institute, 2670 Crain Highway, Suite 203 Waldorf, MD 20601



Job	Truss	Truss Type	Qty	Ply	Buildings A-H	U1530790
N0653A	P6	GABLE	4	1		

Alliance Truss (CA), Abbotsford, BC - V2S 7P6, 8.630 s Jul 12 2024 MiTek Industries, Inc. Thu Sep 12 02:47:38 2024 Page 1

ID:hFyjDMxrTsEK_kgkR0vWWVzFlgc-RfC?PsB70Hg3NSgPqnL8w3ulTXbGKWrCDoi7J4zJC?f



Scale = 1:73.7

Plate Offsets (X,Y)-- [A:0-3-0,0-1-8], [B:0-2-12,0-1-8], [D:0-3-0,0-3-0], [E:0-2-8,0-1-8], [F:0-4-0,0-2-3], [H:0-2-12,0-2-4], [I:0-3-8,Edge], [N:0-2-4,0-2-0], [P:0-3-0,0-3-0], [Q:0-4-0,0-1-8], [T:0-3-0,0-1-8]

LOADING (psf)	SPACING-	CSI.	DEFL.	PLATES	GRIP
TCLL 25.0 (Roof Snow=25.0)	2-0-0	TC 0.88	in (loc) l/defl L/d	MT20	197/144
TCDL 12.0	Plate Grip DOL 1.15	BC 0.33	Vert(LL) n/a - n/a 999	MT18HS	197/144
BCLL 0.0 *	Lumber DOL 1.15	WB 1.00	Vert(CT) n/a - n/a 999		
BCDL 10.0	Rep Stress Incr YES	Matrix-S	Horz(CT) 0.02 Q n/a n/a		
	Code IBC2018/TPI2014			Weight: 283 lb	FT = 20%

LUMBER-	BRACING-
TOP CHORD 2x4 SPF No.2	TOP CHORD Structural wood sheathing directly applied or 4-9-5 oc purlins, except end verticals.
BOT CHORD 2x4 SPF No.2	BOT CHORD Rigid ceiling directly applied or 4-8-5 oc bracing.
WEBS 2x4 SPF 2100F 1.8E *Except* G-K,H-I,H-K: 2x4 SPF No.2	WEBS 1 Row at midpt A-W, B-T, C-Q, E-N, F-N, G-K, H-K 2 Rows at 1/3 pts A-T, B-Q, E-Q, F-K, H-I
OTHERS 2x3 SPF No.2	

REACTIONS. All bearings 26-10-0.
 (lb) - Max Horz W=-184(LC 33)
 Max Uplift All uplift 100 lb or less at joint(s) except W=-2704(LC 32), T=-119(LC 34), Q=-208(LC 33), N=-332(LC 34), I=-1801(LC 39), K=-1788(LC 35), J=-138(LC 32)
 Max Grav All reactions 250 lb or less at joint(s) V, U, S, R, O, M, L, J except W=2688(LC 51), T=578(LC 64), Q=1224(LC 64), N=535(LC 29), I=1782(LC 32), K=1844(LC 52)

FORCES. (lb) - Max. Comp./Max. Ten. - All forces 250 (lb) or less except when shown.
 TOP CHORD A-W=-2661/2699, A-B=-1408/1416, B-C=-1456/1464, C-E=-1487/1495, E-F=-771/805, F-G=-977/1027, G-H=-568/541, H-I=-1670/1650
 BOT CHORD V-W=-592/625, U-V=-1072/1105, T-U=-1552/1585, S-T=-627/653, R-S=-1107/1133, Q-R=-1587/1613, O-Q=-1534/1535, N-O=-574/575, M-N=-872/862, L-M=-392/382, K-L=-786/775, J-K=-740/716, I-J=-260/236
 WEBS A-T=-2996/2982, B-T=-2730/2757, B-Q=-3055/3048, C-Q=-676/137, E-Q=-3062/3111, E-N=-2681/2674, F-N=-2987/3003, F-K=-3332/3303, G-K=-377/112, H-K=-1597/1615

- NOTES-**
- 1) Wind: ASCE 7-16; Vult=115mph (3-second gust) Vasd=91mph; TCDL=4.2psf; BCDL=5.0psf; h=30ft; Ke=1.00; Cat. II; Exp B; Enclosed; MWFRS (envelope) gable end zone; cantilever right exposed; end vertical right exposed; Lumber DOL=1.33 plate grip DOL=1.33
 - 2) Truss designed for wind loads in the plane of the truss only. For studs exposed to wind (normal to the face), see Standard Industry Gable End Details as applicable, or consult qualified building designer as per ANSI/TPI 1.
 - 3) TCLL: ASCE 7-16; Pf=25.0 psf (Lum DOL=1.15 Plate DOL=1.15); Is=1.0; Rough Cat B; Partially Exp.; Ce=1.0; Cs=1.00; Ct=1.10
 - 4) Unbalanced snow loads have been considered for this design.
 - 5) Provide adequate drainage to prevent water ponding.
 - 6) All plates are MT20 plates unless otherwise indicated.
 - 7) All plates are 1.5x4 MT20 unless otherwise indicated.
 - 8) Gable requires continuous bottom chord bearing.
 - 9) Gable studs spaced at 2-0-0 oc.
 - 10) This truss has been designed for a 10.0 psf bottom chord live load nonconcurrent with any other live loads.
 - 11) * This truss has been designed for a live load of 20.0psf on the bottom chord in all areas where a rectangle 3-6-0 tall by 2-0-0 wide will fit between the bottom chord and any other members, with BCDL = 10.0psf.



September 12, 2024

Continued on page 2

WARNING - Verify design parameters and READ NOTES ON THIS AND INCLUDED MITEK REFERENCE PAGE MII-7473 rev. 6/30/2020 BEFORE USE.
 Design valid for use only with MiTek® connectors. This design is based only upon parameters shown, and is for an individual building component, not a truss system. Before use, the building designer must verify the applicability of design parameters and properly incorporate this design into the overall building design. Bracing indicated is to prevent buckling of individual truss web and/or chord members only. Additional temporary and permanent bracing is always required for stability and to prevent collapse with possible personal injury and property damage. For general guidance regarding the fabrication, storage, delivery, erection and bracing of trusses and truss systems, see **ANSI/TPI1 Quality Criteria, DSB-89 and BCSI Building Component Safety Information** available from Truss Plate Institute, 2670 Crain Highway, Suite 203 Waldorf, MD 20601



Job	Truss	Truss Type	Qty	Ply	Buildings A-H	U1530790
N0653A	P6	GABLE	4	1	Job Reference (optional)	

Alliance Truss (CA), Abbotsford, BC - V2S 7P6,

8.630 s Jul 12 2024 MiTek Industries, Inc. Thu Sep 12 02:47:39 2024 Page 2
 ID:hFyjDMxrTsEK_kgkR0vWWVzFgc-RfC?PsB70Hq3NSgPqnL8w3ulTXbGKWrCDoi7J4zJC?f

NOTES-

- 12) Provide mechanical connection (by others) of truss to bearing plate capable of withstanding 2704 lb uplift at joint W, 119 lb uplift at joint T, 208 lb uplift at joint Q, 332 lb uplift at joint N, 1801 lb uplift at joint I, 1788 lb uplift at joint K and 138 lb uplift at joint J.
- 13) This truss is designed in accordance with the 2018 International Building Code section 2306.1 and referenced standard ANSI/TPI 1.
- 14) This truss is designed for 10 pcf. Lumber DOL=(1.33) Plate grip DOL=(1.33) Connect truss to resist drag loads along bottom chord from 0-0-0 to 26-

PRMU20240282 BLDG E

WARNING - Verify design parameters and READ NOTES ON THIS AND INCLUDED MITEK REFERENCE PAGE MII-7473 rev. 6/30/2020 BEFORE USE.

Design valid for use only with MiTek® connectors. This design is based only upon parameters shown, and is for an individual building component, not a truss system. Before use, the building designer must verify the applicability of design parameters and properly incorporate this design into the overall building design. Bracing indicated is to prevent buckling of individual truss web and/or chord members only. Additional temporary and permanent bracing is always required for stability and to prevent collapse with possible personal injury and property damage. For general guidance regarding the fabrication, storage, delivery, erection and bracing of trusses and truss systems, see

Safety Information available from Truss Plate Institute, 2670 Crain Highway, Suite 203 Waldorf, MD 20601



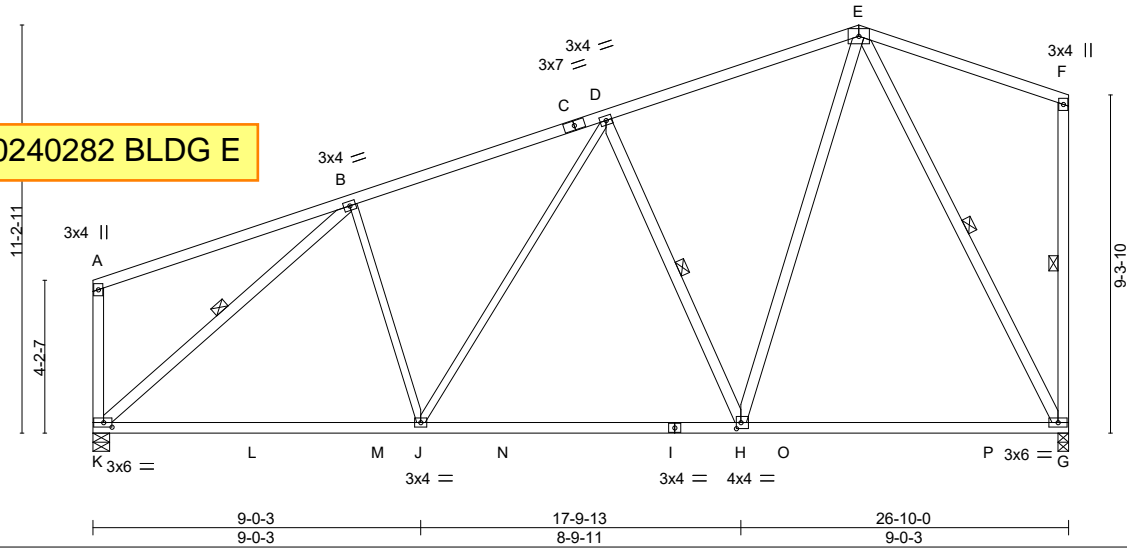
240 Stirling Crescent
 Bradford, ON. L3Z 4L5

Job	Truss	Truss Type	Qty	Ply	Buildings A-H	U1530791
N0653A	P7	Common	24	1		

Alliance Truss (CA), Abbotsford, BC - V2S 7P6, 8.630 s Jul 12 2024 MiTek Industries, Inc. Thu Sep 12 02:47:39 2024 Page 1
 ID:hFyjDMxrTsEK_kgkR0vWWVzFfgc-RfC?PsB70Hq3NSgPqnL8w3ulTXbGKWrCDoi7J4zJC?f



PRMU20240282 BLDG E



Scale: 3/16"=1'

Plate Offsets (X,Y)-- [H:0-1-8,0-2-0], [K:0-2-12,0-1-8]

LOADING (psf)	SPACING-	CSI.	DEFL.	PLATES	GRIP
TCLL 25.0 (Roof Snow=25.0)	2-0-0 Plate Grip DOL 1.15 Lumber DOL 1.15	TC 0.83 BC 0.90 WB 0.86 Matrix-MS	in (loc) l/defl L/d Vert(LL) -0.31 G-H >999 360 Vert(CT) -0.49 G-H >652 240 Horz(CT) 0.04 G n/a n/a Wind(LL) -0.05 G-H >999 240	MT20	197/144
TCDL 12.0	Rep Stress Incr YES Code IBC2018/TPI2014			Weight: 137 lb	FT = 20%
BCLL 0.0 *					
BCDL 10.0					

LUMBER-

TOP CHORD 2x4 SPF No.2
 BOT CHORD 2x4 SPF No.2
 WEBS 2x4 SPF No.2 *Except*
 B-J,D-J: 2x3 SPF No.2

BRACING-

TOP CHORD Structural wood sheathing directly applied or 2-2-0 oc purlins, except end verticals.
 BOT CHORD Rigid ceiling directly applied or 10-0-0 oc bracing.
 WEBS 1 Row at midpt D-H, B-K, F-G, E-G

REACTIONS.

(size) K=0-5-8, G=0-3-8
 Max Horz K=262(LC 7)
 Max Uplift K=-135(LC 6), G=-125(LC 6)
 Max Grav K=1410(LC 3), G=1397(LC 2)

FORCES. (lb) - Max. Comp./Max. Ten. - All forces 250 (lb) or less except when shown.

TOP CHORD B-D=-1415/184, D-E=-1053/174, F-G=-293/68
 BOT CHORD J-K=-204/1220, H-J=-159/1168, G-H=-114/592
 WEBS B-J=0/257, D-J=-23/265, D-H=-724/193, E-H=-93/1090, B-K=-1567/155, E-G=-1263/128

NOTES-

- 1) Wind: ASCE 7-16; Vult=115mph (3-second gust) Vasd=91mph; TCDL=4.2psf; BCDL=5.0psf; h=30ft; Ke=1.00; Cat. II; Exp B; Enclosed; MWFRS (envelope) gable end zone; cantilever left and right exposed; end vertical left and right exposed; Lumber DOL=1.33 plate grip DOL=1.33
- 2) TCLL: ASCE 7-16; Pf=25.0 psf (Lum DOL=1.15 Plate DOL=1.15); Is=1.0; Rough Cat B; Partially Exp.; Ce=1.0; Cs=1.0; Ct=1.10
- 3) Unbalanced snow loads have been considered for this design.
- 4) This truss has been designed for a 10.0 psf bottom chord live load nonconcurrent with any other live loads.
- 5) * This truss has been designed for a live load of 20.0psf on the bottom chord in all areas where a rectangle 3-6-0 tall by 2-0-0 wide will fit between the bottom chord and any other members, with BCDL = 10.0psf.
- 6) Provide mechanical connection (by others) of truss to bearing plate capable of withstanding 135 lb uplift at joint K and 125 lb uplift at joint G.
- 7) This truss is designed in accordance with the 2018 International Building Code section 2306.1 and referenced standard ANSI/TPI 1.



September 12, 2024

WARNING - Verify design parameters and READ NOTES ON THIS AND INCLUDED MITEK REFERENCE PAGE MII-7473 rev. 6/30/2020 BEFORE USE.

Design valid for use only with MiTek® connectors. This design is based only upon parameters shown, and is for an individual building component, not a truss system. Before use, the building designer must verify the applicability of design parameters and properly incorporate this design into the overall building design. Bracing indicated is to prevent buckling of individual truss web and/or chord members only. Additional temporary and permanent bracing is always required for stability and to prevent collapse with possible personal injury and property damage. For general guidance regarding the fabrication, storage, delivery, erection and bracing of trusses and truss systems, see

Safety Information available from Truss Plate Institute, 2670 Crain Highway, Suite 203 Waldorf, MD 20601
ANSI/TPI1 Quality Criteria, DSB-89 and BCSI Building Component



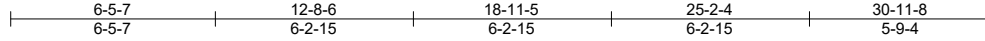
240 Stirling Crescent
 Bradford, ON. L3Z 4L5

Job N0653A	Truss P8A	Truss Type GABLE	Qty 3	Ply 1	Buildings A-H Job Reference (optional)	U1530857
---------------	--------------	---------------------	----------	----------	---	----------

Alliance Truss (CA), Abbotsford, BC - V2S 7P6,

8.820 s Aug 30 2024 MiTek Industries, Inc. Thu Sep 12 02:48:17 2024 Page 1

ID:hFyjDMxrTsEK_kgkR0vWVvzFfgc-JqJ6DaC8PJcwsQBhkigoxPzNtHlyzBV9pt?uClIyeVqy



PRMU20240282 BLDG E

3x5 ||
6x8 ||

Scale = 1:72.7

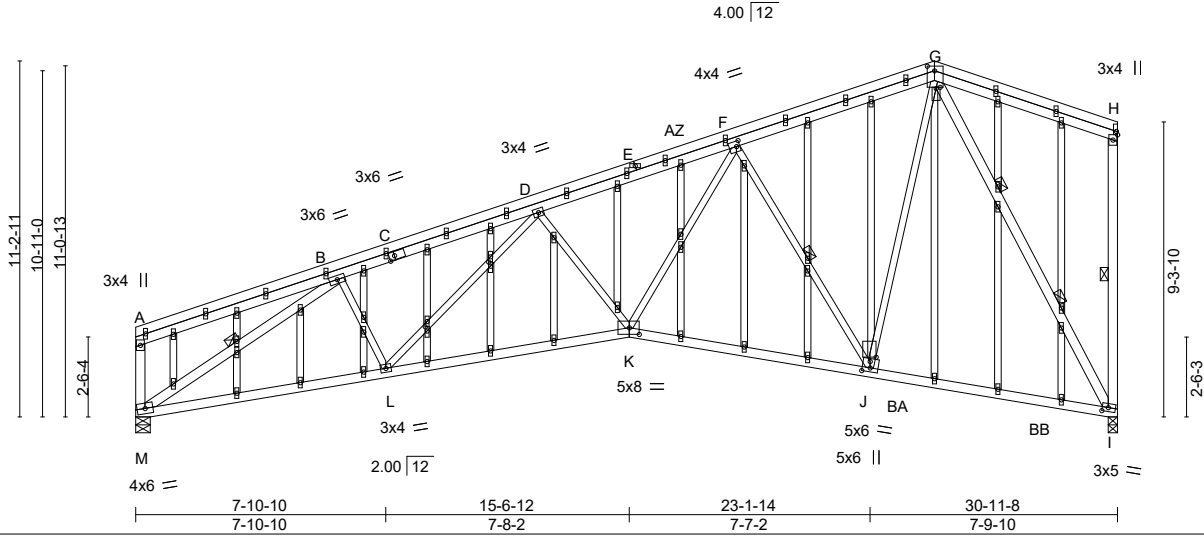


Plate Offsets (X,Y)-- [C:0-2-0,0-1-8], [F:0-1-4,0-2-0], [G:0-0-8,0-1-8], [G:0-1-12,0-2-12], [H:Edge,0-0-8], [I:0-2-4,0-1-8], [J:0-1-10,0-2-4], [J:0-3-0,0-1-8], [K:0-3-12,0-2-8], [AB:0-1-9,0-0-12], [AE:0-1-9,0-0-12]

LOADING (psf) TCLL 25.0 (Roof Snow=25.0) TCDL 12.0 BCLL 0.0 * BCDL 10.0	SPACING- 2-0-0 Plate Grip DOL 1.15 Lumber DOL 1.15 Rep Stress Incr YES Code IBC2018/TPI2014	CSI. TC 0.71 BC 0.96 WB 1.00 Matrix-MS	DEFL. in (loc) l/defl L/d Vert(LL) -0.23 K-L >999 360 Vert(CT) -0.44 K-L >839 240 Horz(CT) 0.20 I n/a n/a Wind(LL) 0.10 K-L >999 240	PLATES MT20 Weight: 239 lb	GRIP 197/144 FT = 20%
---	---	---	--	---	--

LUMBER-
TOP CHORD 2x4 SPF No.2
BOT CHORD 2x4 SPF No.2
WEBS 2x3 SPF No.2 *Except*
A-M,B-M,H-I,G-I: 2x4 SPF No.2
OTHERS 2x3 SPF No.2

BRACING-
TOP CHORD Structural wood sheathing directly applied or 2-11-15 oc purlins, except end verticals.
BOT CHORD Rigid ceiling directly applied or 10-0-0 oc bracing, Except:
2-2-0 oc bracing: K-L.
WEBS 1 Row at midpt F-J, B-M, H-I
2 Rows at 1/3 pts G-I

REACTIONS. (size) M=0-5-8, I=0-3-8
Max Horz M=260(LC 7)
Max Uplift M=-157(LC 6), I=-152(LC 6)
Max Grav M=1524(LC 3), I=1538(LC 2)

FORCES. (lb) - Max. Comp./Max. Ten. - All forces 250 (lb) or less except when shown.
TOP CHORD B-D=-2704/322, D-F=-2643/324, F-G=-1220/187, H-I=-306/68
BOT CHORD L-M=-337/2345, K-L=-323/2679, J-K=-210/1847, I-J=-124/804
WEBS B-L=0/434, D-K=-356/139, F-K=-139/1352, F-J=-1497/264, G-J=-122/1453, B-M=-2724/306, G-I=-1605/138

- NOTES-**
- 1) Wind: ASCE 7-16; Vult=115mph (3-second gust) Vasd=91mph; TCDL=4.2psf; BCDL=5.0psf; h=30ft; Ke=1.00; Cat. II; Exp B; Enclosed; MWFRS (envelope) gable end zone; cantilever left and right exposed; end vertical left and right exposed; Lumber DOL=1.33 plate grip DOL=1.33
 - 2) Truss designed for wind loads in the plane of the truss only. For studs exposed to wind (normal to the face), see Standard Industry Gable End Details as applicable, or consult qualified building designer as per ANSI/TPI 1.
 - 3) TCLL: ASCE 7-16; Pf=25.0 psf (Lum DOL = 1.15 Plate DOL = 1.15); Is=1.0; Rough Cat B; Partially Exp.; Ce=1.0; Cs=1.00; Ct=1.10
 - 4) Unbalanced snow loads have been considered for this design.
 - 5) All plates are 1.5x4 MT20 unless otherwise indicated.
 - 6) Gable studs spaced at 2-0-0 oc.
 - 7) This truss has been designed for a 10.0 psf bottom chord live load nonconcurrent with any other live loads.
 - 8) * This truss has been designed for a live load of 20.0psf on the bottom chord in all areas where a rectangle 3-6-0 tall by 2-0-0 wide will fit between the bottom chord and any other members, with BCDL = 10.0psf.
 - 9) Bearing at joint(s) M, I considers parallel to grain value using ANSI/TPI 1 angle to grain formula. Building designer should verify capacity of bearing surface.
 - 10) Provide mechanical connection (by others) of truss to bearing plate capable of withstanding 100 lb uplift at joint(s) except (jt=lb) M=157, I=152.
 - 11) This truss is designed in accordance with the 2018 International Building Code section 2306.1 and referenced standard ANSI/TPI 1.
 - 12) No notches allowed in overhang and 0 from left end and 0 from right end or 12" along rake from scarf, whichever is larger. Minimum 1.5x4 tie plates required at 2-0-0 o.c. maximum between the stacking chords. For edge-wise notching, provide at least one tie plate between each notch.



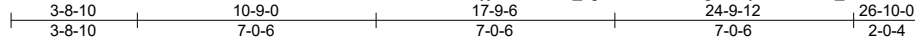
September 12, 2024

WARNING - Verify design parameters and READ NOTES ON THIS AND INCLUDED MITEK REFERENCE PAGE MII-7473 rev. 6/30/2020 BEFORE USE.
Design valid for use only with MiTek® connectors. This design is based only upon parameters shown, and is for an individual building component, not a truss system. Before use, the building designer must verify the applicability of design parameters and properly incorporate this design into the overall building design. Bracing indicated is to prevent buckling of individual truss web and/or chord members only. Additional temporary and permanent bracing is always required for stability and to prevent collapse with possible personal injury and property damage. For general guidance regarding the fabrication, storage, delivery, erection and bracing of trusses and truss systems, see **ANSI/TPI1 Quality Criteria, DSB-89 and BCSI Building Component Safety Information** available from Truss Plate Institute, 2670 Crain Highway, Suite 203 Waldorf, MD 20601



Job N0653A	Truss P9	Truss Type GABLE	Qty 1	Ply 1	Buildings A-H Job Reference (optional)	U1530792
---------------	-------------	---------------------	----------	----------	---	----------

Alliance Truss (CA), Abbotsford, BC - V2S 7P6, 8.630 s Feb 9 2023 MiTek Industries, Inc. Thu Sep 12 16:09:48 2024 Page 1
 ID:hFyJDMxrTsEK_kgkR0vWVvzFlgc-SFyMHHkz5_a2tBB8VwsRq1Cxt2MQFD4VKICNmyeUeX



3x6 =
6x10 ||

Scale = 1:67.9

PRMU20240282 BLDG E

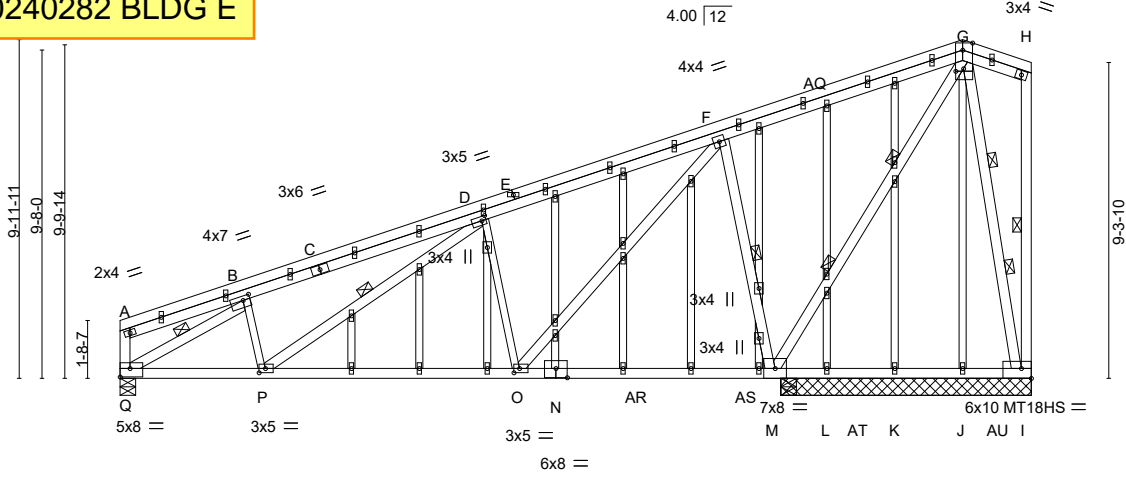


Plate Offsets (X,Y)-- [B:0-2-8,0-1-8], [D:0-1-8,0-1-8], [G:0-2-12,0-0-14], [I:0-2-8,Edge], [L:Edge,0-3-8], [N:0-4-0,0-3-4], [O:0-2-0,0-1-8], [P:0-2-4,0-1-8], [Q:Edge,0-3-0]

LOADING (psf)	SPACING-	CSI.	DEFL.	PLATES	GRIP
TCLL 25.0 (Roof Snow=25.0)	2-0-0 Plate Grip DOL 1.15 Lumber DOL 1.15	TC 0.82 BC 0.95 WB 0.94 Matrix-MS	in (loc) l/defl L/d Vert(LL) -0.14 O-P >999 360 Vert(CT) -0.22 O-P >999 240 Horz(CT) -0.14 I n/a n/a Wind(LL) 0.12 O-P >999 240	MT20 MT18HS	197/144 197/144
TCDL 12.0	Rep Stress Incr YES				
BCLL 0.0 *	Code IBC2018/TPI2014				
BCDL 10.0				Weight: 211 lb	FT = 20%

LUMBER-

TOP CHORD 2x4 SPF No.2
 BOT CHORD 2x4 SPF 2100F 1.8E *Except*
 N-Q: 2x4 SPF No.2
 WEBS 2x4 SPF No.2 *Except*
 B-P,D-O: 2x3 SPF No.2, G-M: 2x4 SPF 2100F 1.8E
 OTHERS 2x3 SPF No.2

BRACING-

TOP CHORD Structural wood sheathing directly applied or 3-4-5 oc purlins, except end verticals.
 BOT CHORD Rigid ceiling directly applied or 2-2-0 oc bracing.
 WEBS 1 Row at midpt D-P, F-M, B-Q, H-I
 2 Rows at 1/3 pts G-M, G-I

REACTIONS.

All bearings 7-4-8 except (jt=length) Q=0-5-8.
 (lb) - Max Horz Q=471(LC 37)
 Max Uplift All uplift 100 lb or less at joint(s) J except M=-3032(LC 39), Q=-1657(LC 31), I=-2686(LC 50), L=-118(LC 26)
 Max Grav All reactions 250 lb or less at joint(s) J, K, L except M=4048(LC 28), M=1815(LC 1), Q=1949(LC 26), I=2571(LC 39)

FORCES. (lb) - Max. Comp./Max. Ten. - All forces 250 (lb) or less except when shown.

TOP CHORD A-B=-803/824, B-D=-2462/1943, D-F=-1581/1341, F-G=-2032/2184, G-H=-521/548
 BOT CHORD P-Q=-2786/3032, O-P=-3904/4061, M-O=-4358/4252, L-M=-6183/6132, K-L=-4694/4698,
 J-K=-3002/2951, I-J=-1256/1205
 WEBS B-P=-743/863, D-P=-1329/1450, D-O=-825/574, F-O=-629/1424, F-M=-1215/514,
 G-M=-3825/3587, B-Q=-3304/2884, G-I=-2584/2731

NOTES-

- Wind: ASCE 7-16; Vult=115mph (3-second gust) Vasd=91mph; TCCL=4.2psf; BCDL=5.0psf; h=30ft; Ke=1.00; Cat. II; Exp B; Enclosed; MWFRS (envelope) gable end zone; cantilever left and right exposed; end vertical left and right exposed; Lumber DOL=1.33 plate grip DOL=1.33
- Truss designed for wind loads in the plane of the truss only. For studs exposed to wind (normal to the face), see Standard Industry Gable End Details as applicable, or consult qualified building designer as per ANSI/TPI 1.
- TCLL: ASCE 7-16; Pf=25.0 psf (Lum DOL=1.15 Plate DOL=1.15); Is=1.0; Rough Cat B; Partially Exp.; Ce=1.0; Cs=1.00; Ct=1.10
- Unbalanced snow loads have been considered for this design.
- All plates are MT20 plates unless otherwise indicated.
- All plates are 1.5x4 MT20 unless otherwise indicated.
- Gable studs spaced at 2-0-0 oc.
- This truss has been designed for a 10.0 psf bottom chord live load nonconcurrent with any other live loads.
- * This truss has been designed for a live load of 20.0psf on the bottom chord in all areas where a rectangle 3-6-0 tall by 2-0-0 wide will fit between the bottom chord and any other members, with BCDL = 10.0psf.
- All bearings are assumed to be SPF No.2 crushing capacity of 425 psi.
- Provide mechanical connection (by others) of truss to bearing plate capable of withstanding 100 lb uplift at joint(s) J except (jt=lb) M=3032, Q=1657, I=2686, L=118.
- This truss is designed in accordance with the 2018 International Building Code section 2306.1 and referenced standard ANSI/TPI 1.



September 12, 2024

Continued on page 2

WARNING - Verify design parameters and READ NOTES ON THIS AND INCLUDED MITEK REFERENCE PAGE MII-7473 rev. 6/30/2020 BEFORE USE.

Design valid for use only with MiTek® connectors. This design is based only upon parameters shown, and is for an individual building component, not a truss system. Before use, the building designer must verify the applicability of design parameters and properly incorporate this design into the overall building design. Bracing indicated is to prevent buckling of individual truss web and/or chord members only. Additional temporary and permanent bracing is always required for stability and to prevent collapse with possible personal injury and property damage. For general guidance regarding the fabrication, storage, delivery, erection and bracing of trusses and truss systems, see

ANSI/TPI1 Quality Criteria, DSB-89 and BCSI Building Component Safety Information available from Truss Plate Institute, 2670 Crain Highway, Suite 203 Waldorf, MD 20601



240 Stirling Crescent
 Bradford, ON. L3Z 4L5

Job	Truss	Truss Type	Qty	Ply	Buildings A-H
N0653A	P9	GABLE	1	1	U1530792

Alliance Truss (CA),

Abbotsford, BC - V2S 7P6,

8.630 s Feb 9 2023 MiTek Industries, Inc. Thu Sep 12 16:09:49 2024 Page 2
 ID:hFyjDMxrTsEK_kgkR0vWWVzFlgc-wSWIUdLJKP6Rg1mNhDR5z1aNhHOB9iTDj_1lvCyeUeW

NOTES-

- 13) This truss has been designed for a total drag load of 240 plf. Lumber DOL=(1.33) Plate grip DOL=(1.33) Connect truss to resist drag loads along bottom chord from
- 14) **PRMU20240282 BLDG E** load case(s). Proper connection is required to secure truss against upward movement at the bearings. Building designer
- 15) No notches allowed in overhang and 0 from left end and 0 from right end or 12" along rake from scarf, whichever is larger. Minimum 1.5x4 tie plates required at 2-0-0 o.c. maximum between the stacking chords. For edge-wise notching, provide at least one tie plate between each notch.



WARNING - Verify design parameters and READ NOTES ON THIS AND INCLUDED MITEK REFERENCE PAGE MII-7473 rev. 6/30/2020 BEFORE USE.

Design valid for use only with MiTek® connectors. This design is based only upon parameters shown, and is for an individual building component, not a truss system. Before use, the building designer must verify the applicability of design parameters and properly incorporate this design into the overall building design. Bracing indicated is to prevent buckling of individual truss web and/or chord members only. Additional temporary and permanent bracing is always required for stability and to prevent collapse with possible personal injury and property damage. For general guidance regarding the fabrication, storage, delivery, erection and bracing of trusses and truss systems, see

ANSI/TPI1 Quality Criteria, DSB-89 and BCSI Building Component

Safety Information available from Truss Plate Institute, 2670 Crain Highway, Suite 203 Waldorf, MD 20601



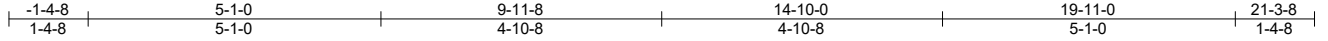
240 Stirling Crescent
 Bradford, ON. L3Z 4L5

Job N0653A	Truss P10	Truss Type GABLE	Qty 1	Ply 1	Buildings A-H Job Reference (optional)	U1530793
---------------	--------------	---------------------	----------	----------	---	----------

Alliance Truss (CA), Abbotsford, BC - V2S 7P6,

8.630 s Jul 12 2024 MiTek Industries, Inc. Thu Sep 12 02:47:34 2024 Page 1

ID:hFyjDMxrTsEK_kgkR0vWWVzFfgc-RfC?PsB70Hq3NSgPqnL8w3ulTXbGKWrCDoi7J4zJC?f



Scale = 1:40.0

PRMU20240282 BLDG E

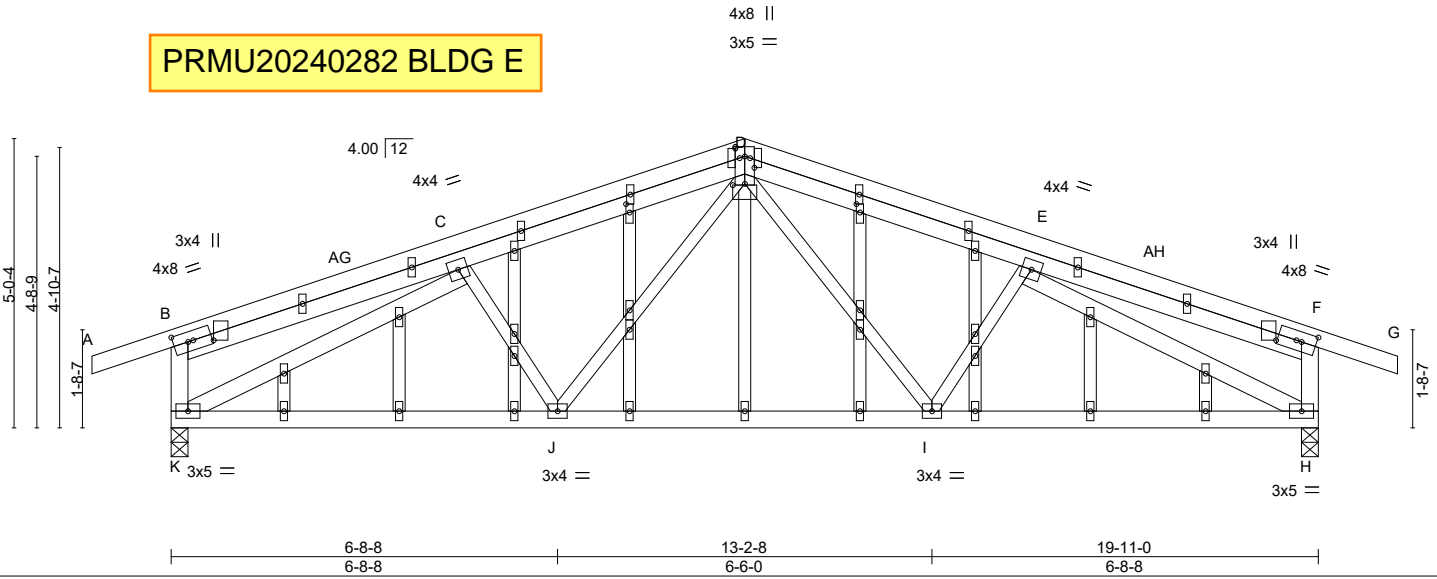


Plate Offsets (X,Y)-- [B:0-0-0,0-4-4], [B:0-3-0,0-2-0], [D:0-2-0,0-0-15], [D:0-2-0,0-2-0], [D:0-2-8,0-0-4], [D:0-2-0,0-0-15], [F:0-3-0,0-2-0], [F:0-0-0,0-4-4], [N:0-1-12,0-0-12], [W:0-1-12,0-0-12], [Y:0-0-0,0-0-0], [Y:0-0-0,0-0-0], [AB:0-0-0,0-0-0], [AB:0-0-0,0-0-0], [AF:0-0-0,0-0-0]

LOADING (psf)	SPACING-	CSI.	DEFL.	in (loc)	l/defl	L/d	PLATES	GRIP
TCLL 25.0 (Roof Snow=25.0)	2-0-0 Plate Grip DOL 1.15 Lumber DOL 1.15	TC 0.42 BC 0.43 WB 0.81 Matrix-MS	Vert(LL) -0.05 Vert(CT) -0.11 Horz(CT) 0.04 Wind(LL) 0.03	H-I H-I H I-J	>999 >999 n/a >999	360 240 n/a 240	MT20	197/144
TCDL 12.0	Rep Stress Incr YES Code IBC2018/TPI2014						Weight: 119 lb	FT = 20%
BCLL 0.0 *								
BCDL 10.0								

LUMBER-	BRACING-
TOP CHORD 2x4 SPF No.2	TOP CHORD Structural wood sheathing directly applied or 4-4-0 oc purlins, except end verticals.
BOT CHORD 2x4 SPF No.2	BOT CHORD Rigid ceiling directly applied or 10-0-0 oc bracing.
WEBS 2x4 SPF No.2 *Except*	
D-I,E-I,D-J,C-J: 2x3 SPF No.2	
OTHERS 2x3 SPF No.2	

REACTIONS. (size) K=0-3-8, H=0-3-8
 Max Horz K=-31(LC 24)
 Max Uplift K=-139(LC 6), H=-139(LC 7)
 Max Grav K=1095(LC 17), H=1095(LC 18)

FORCES. (lb) - Max. Comp./Max. Ten. - All forces 250 (lb) or less except when shown.
 TOP CHORD C-D=-1380/138, D-E=-1380/138, B-K=-310/104, F-H=-310/104
 BOT CHORD J-K=-110/1342, I-J=-42/1016, H-I=-110/1342
 WEBS D-I=-31/403, D-J=-31/403, C-K=-1465/129, E-H=-1465/129

- NOTES-**
- 1) Wind: ASCE 7-16; Vult=115mph (3-second gust) Vasd=91mph; TCDL=4.2psf; BCDL=5.0psf; h=30ft; Ke=1.00; Cat. II; Exp B; Enclosed; MWFRS (envelope) gable end zone; cantilever left and right exposed ; end vertical left and right exposed; Lumber DOL=1.33 plate grip DOL=1.33
 - 2) Truss designed for wind loads in the plane of the truss only. For studs exposed to wind (normal to the face), see Standard Industry Gable End Details as applicable, or consult qualified building designer as per ANSI/TPI 1.
 - 3) TCLL: ASCE 7-16; Pf=25.0 psf (Lum DOL=1.15 Plate DOL=1.15); Is=1.0; Rough Cat B; Partially Exp.; Ce=1.0; Cs=1.00; Ct=1.10
 - 4) Unbalanced snow loads have been considered for this design.
 - 5) This truss has been designed for greater of min roof live load of 20.0 psf or 2.00 times flat roof load of 25.0 psf on overhangs non-concurrent with other live loads.
 - 6) All plates are 1.5x4 MT20 unless otherwise indicated.
 - 7) Gable studs spaced at 2-0-0 oc.
 - 8) This truss has been designed for a 10.0 psf bottom chord live load nonconcurrent with any other live loads.
 - 9) * This truss has been designed for a live load of 20.0psf on the bottom chord in all areas where a rectangle 3-6-0 tall by 2-0-0 wide will fit between the bottom chord and any other members.
 - 10) Provide mechanical connection (by others) of truss to bearing plate capable of withstanding 100 lb uplift at joint(s) except (jt=lb) K=139, H=139.
 - 11) This truss is designed in accordance with the 2018 International Building Code section 2306.1 and referenced standard ANSI/TPI 1.
 - 12) No notches allowed in overhang and 10408 from left end and 10408 from right end or 12" along rake from scarf, whichever is larger. Minimum 1.5x4 tie plates required at 2-0-0 o.c. maximum between the stacking chords. For edge-wise notching, provide at least one tie plate between each notch.



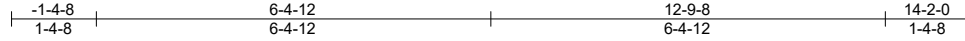
September 12, 2024

Job	Truss	Truss Type	Qty	Ply	Buildings A-H	U1530794
N0653A	R1	GABLE	1	1		

Alliance Truss (CA), Abbotsford, BC - V2S 7P6,

8.630 s Jul 12 2024 MiTek Industries, Inc. Thu Sep 12 02:47:41 2024 Page 1

ID:hFyjDMxrTsEK_kgkR0vWWVzFfgc-RfC?PsB70Hq3NSgPqnL8w3ulTXbGKWrCDoi7J4zJC?f



4x5 =

Scale = 1:37.4

PRMU20240282 BLDG E

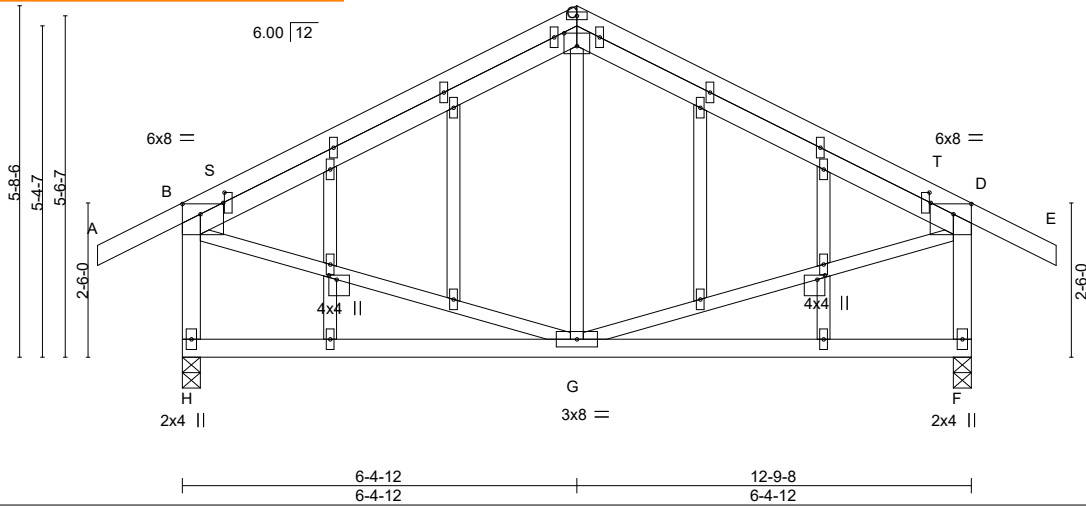


Plate Offsets (X,Y)-- [B:0-3-8,0-2-0], [C:0-2-8,0-2-8], [D:0-3-8,0-2-0], [K:0-0-14,0-1-8], [R:0-0-14,0-1-8], [S:0-2-0,0-0-4], [T:0-2-0,0-0-4]

LOADING (psf)	SPACING-	CSI.	DEFL.	in (loc)	l/defl	L/d	PLATES	GRIP
TCLL 25.0 (Roof Snow=25.0)	2-0-0 Plate Grip DOL 1.15	TC 0.71	Vert(LL)	-0.03	G-H	>999	MT20	197/144
TCDL 12.0	Lumber DOL 1.15	BC 0.28	Vert(CT)	-0.07	G-H	>999		
BCLL 0.0 *	Rep Stress Incr YES	WB 0.13	Horz(CT)	0.00	F	n/a		
BCDL 10.0	Code IBC2018/TPI2014	Matrix-MS	Wind(LL)	0.00	G	>999	Weight: 79 lb	FT = 20%

LUMBER-

TOP CHORD 2x4 SPF No.2
 BOT CHORD 2x4 SPF No.2
 WEBS 2x3 SPF No.2 *Except*
 B-H,D-F: 2x4 SPF No.2
 OTHERS 2x3 SPF No.2

BRACING-

TOP CHORD Structural wood sheathing directly applied or 5-9-4 oc purlins, except end verticals.
 BOT CHORD Rigid ceiling directly applied or 6-0-0 oc bracing.

REACTIONS.

(size) H=0-3-8, F=0-3-8
 Max Horz H=93(LC 9)
 Max Uplift H=-74(LC 10), F=-74(LC 11)
 Max Grav H=802(LC 17), F=802(LC 18)

FORCES. (lb) - Max. Comp./Max. Ten. - All forces 250 (lb) or less except when shown.

TOP CHORD B-C=-594/62, C-D=-594/62, B-H=-742/99, D-F=-742/99
 WEBS B-G=0/383, D-G=0/383

NOTES-

- 1) Wind: ASCE 7-16; Vult=115mph (3-second gust) Vasd=91mph; TCDL=4.2psf; BCDL=5.0psf; h=30ft; Ke=1.00; Cat. II; Exp B; Enclosed; MWFRS (envelope) gable end zone; cantilever left and right exposed; end vertical left and right exposed; Lumber DOL=1.33 plate grip DOL=1.33
- 2) Truss designed for wind loads in the plane of the truss only. For studs exposed to wind (normal to the face), see Standard Industry Gable End Details as applicable, or consult qualified building designer as per ANSI/TPI 1.
- 3) TCELL: ASCE 7-16; Pf=25.0 psf (Lum DOL=1.15 Plate DOL=1.15); Is=1.0; Rough Cat B; Partially Exp.; Ce=1.0; Cs=1.00; Ct=1.10
- 4) Unbalanced snow loads have been considered for this design.
- 5) This truss has been designed for greater of min roof live load of 18.0 psf or 2.00 times flat roof load of 25.0 psf on overhangs non-concurrent with other live loads.
- 6) All plates are 1.5x4 MT20 unless otherwise indicated.
- 7) Gable studs spaced at 2-0-0 oc.
- 8) This truss has been designed for a 10.0 psf bottom chord live load nonconcurrent with any other live loads.
- 9) * This truss has been designed for a live load of 20.0psf on the bottom chord in all areas where a rectangle 3-6-0 tall by 2-0-0 wide will fit between the bottom chord and any other members.
- 10) Provide mechanical connection (by others) of truss to bearing plate capable of withstanding 100 lb uplift at joint(s) H, F.
- 11) This truss is designed in accordance with the 2018 International Building Code section 2306.1 and referenced standard ANSI/TPI 1.
- 12) No notches allowed in overhang and 10408 from left end and 10408 from right end or 12" along rake from scarf, whichever is larger. Minimum 1.5x4 tie plates required at 2-0-0 o.c. maximum between the stacking chords. For edge-wise notching, provide at least one tie plate between each notch.



September 12, 2024

WARNING - Verify design parameters and READ NOTES ON THIS AND INCLUDED MITEK REFERENCE PAGE MII-7473 rev. 6/30/2020 BEFORE USE.

Design valid for use only with MiTek® connectors. This design is based only upon parameters shown, and is for an individual building component, not a truss system. Before use, the building designer must verify the applicability of design parameters and properly incorporate this design into the overall building design. Bracing indicated is to prevent buckling of individual truss web and/or chord members only. Additional temporary and permanent bracing is always required for stability and to prevent collapse with possible personal injury and property damage. For general guidance regarding the fabrication, storage, delivery, erection and bracing of trusses and truss systems, see

Safety Information available from Truss Plate Institute, 2670 Crain Highway, Suite 203 Waldorf, MD 20601

ANSI/TPI1 Quality Criteria, DSB-89 and BCSI Building Component

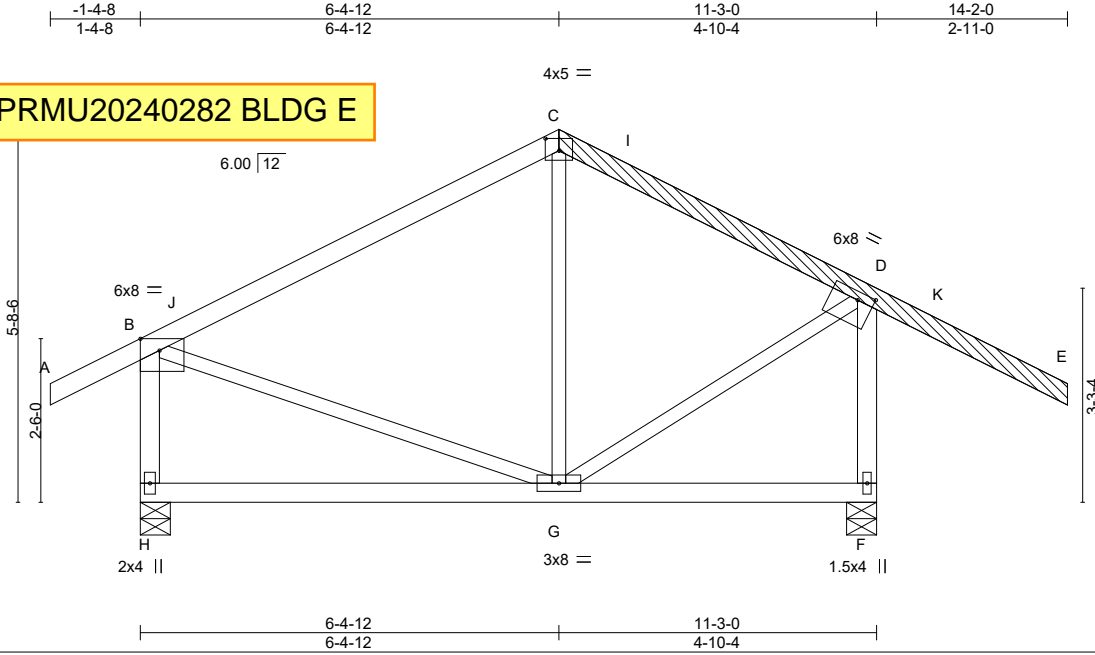


240 Stirling Crescent
 Bradford, ON. L3Z 4L5

Job	Truss	Truss Type	Qty	Ply	Buildings A-H	U1530858
N0653A	R2	Common	3	1		

Alliance Truss (CA), Abbotsford, BC - V2S 7P6, 8.820 s Aug 30 2024 MiTek Industries, Inc. Thu Sep 12 02:48:18 2024 Page 1
 ID:hFyjDMxrTsEK_kgkR0vWWVzFlgc-o0TVQwCmAcKnUamulPB1UdWYchHMhsTJ2XIRkByeVqx

PRMU20240282 BLDG E



Scale = 1:35.2

Plate Offsets (X,Y)-- [B:0-3-8,Edge], [C:0-2-8,0-2-4], [D:0-3-0,0-1-8]

LOADING (psf)	SPACING-	CSI.	DEFL.	in (loc)	l/defl	L/d	PLATES	GRIP
TCLL 25.0 (Roof Snow=25.0)	2-0-0 Plate Grip DOL 1.15	TC 0.71	Vert(LL) -0.04	G-H	>999	360	MT20	197/144
TCDL 12.0	Lumber DOL 1.15	BC 0.25	Vert(CT) -0.08	G-H	>999	240		
BCLL 0.0 *	Rep Stress Incr YES	WB 0.12	Horz(CT) -0.00	F	n/a	n/a		
BCDL 10.0	Code IBC2018/TPI2014	Matrix-MS	Wind(LL) 0.00	G	>999	240	Weight: 62 lb	FT = 20%

LUMBER-	BRACING-
TOP CHORD 2x4 SPF No.2	TOP CHORD Structural wood sheathing directly applied or 6-0-0 oc purlins, except end verticals.
BOT CHORD 2x4 SPF No.2	BOT CHORD Rigid ceiling directly applied or 6-0-0 oc bracing.
WEBS 2x3 SPF No.2 *Except* B-H,D-F: 2x4 SPF No.2	
OTHERS 2x4 SPF No.2	
LBR SCAB C-E 2x4 SPF No.2 one side	

REACTIONS. (size) H=0-5-8, F=0-5-8
 Max Horz H=114(LC 9)
 Max Uplift H=-70(LC 10), F=-95(LC 11)
 Max Grav H=729(LC 17), F=882(LC 18)

FORCES. (lb) - Max. Comp./Max. Ten. - All forces 250 (lb) or less except when shown.
 TOP CHORD B-C=-478/47, C-D=-400/68, B-H=-668/97, D-F=-847/111
 WEBS D-G=0/353

- NOTES-**
- 1) Attached 8-10-0 scab C to E, front face(s) 2x4 SPF No.2 with 1 row(s) of 10d (0.131"x3") nails spaced 9" o.c.except : starting at 4-3-3 from end at joint C, nail 1 row(s) at 4" o.c. for 2-11-11.
 - 2) Wind: ASCE 7-16; Vult=115mph (3-second gust) Vasd=91mph; TCDL=4.2psf; BCDL=5.0psf; h=30ft; Ke=1.00; Cat. II; Exp B; Enclosed; MWFRS (envelope) gable end zone; cantilever left and right exposed; end vertical left and right exposed; Lumber DOL=1.33 plate grip DOL=1.33
 - 3) TCLL: ASCE 7-16; Pf=25.0 psf (Lum DOL = 1.15 Plate DOL = 1.15); Is=1.0; Rough Cat B; Partially Exp.; Ce=1.0; Cs=1.00; Ct=1.10
 - 4) Unbalanced snow loads have been considered for this design.
 - 5) This truss has been designed for greater of min roof live load of 18.0 psf or 2.00 times flat roof load of 25.0 psf on overhangs non-concurrent with other live loads.
 - 6) This truss has been designed for a 10.0 psf bottom chord live load nonconcurrent with any other live loads.
 - 7) * This truss has been designed for a live load of 20.0psf on the bottom chord in all areas where a rectangle 3-6-0 tall by 2-0-0 wide will fit between the bottom chord and any other members.
 - 8) Provide mechanical connection (by others) of truss to bearing plate capable of withstanding 100 lb uplift at joint(s) H, F.
 - 9) This truss is designed in accordance with the 2018 International Building Code section 2306.1 and referenced standard ANSI/TPI 1.



September 12,2024

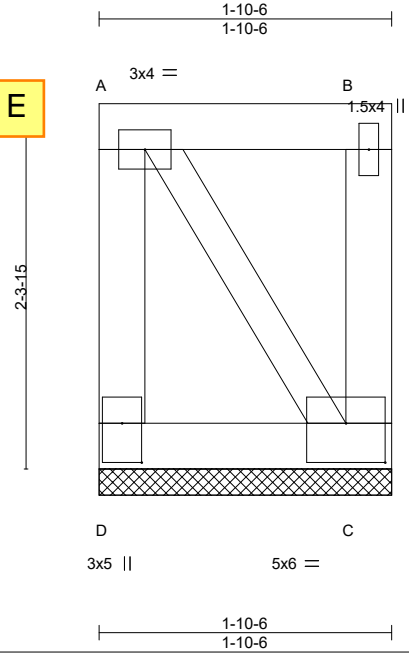
Job	Truss	Truss Type	Qty	Ply	Buildings A-H	U1530795
N0653A	S1	BLOCKING SUPPORTED	75	1		

Alliance Truss (CA), Abbotsford, BC - V2S 7P6,

8.630 s Jul 12 2024 MiTek Industries, Inc. Thu Sep 12 02:47:42 2024 Page 1

ID:hFyjDMxrTsEK_kgkR0vWWvzFgC-RfC?PsB70Hq3NSgPqnL8w3ulTXbGKWrCDoi7J4zJC?f

PRMU20240282 BLDG E



Scale = 1:14.7

Plate Offsets (X,Y)-- [C:0-3-0,0-3-0], [D:0-3-0,0-1-8]

LOADING (psf)	SPACING-	CSI.	DEFL.	in (loc)	l/defl	L/d	PLATES	GRIP
TCLL 25.0 (Roof Snow=25.0)	2-0-0 Plate Grip DOL 1.15	TC 0.12	Vert(LL)	n/a	-	n/a	MT20	197/144
TCDL 12.0	Lumber DOL 1.15	BC 0.08	Vert(CT)	n/a	-	n/a		
BCLL 0.0 *	Rep Stress Incr YES	WB 0.20	Horz(CT)	-0.00	C	n/a		
BCDL 10.0	Code IBC2018/TPI2014	Matrix-P					Weight: 10 lb	FT = 20%

LUMBER-	BRACING-
TOP CHORD 2x4 SPF No.2	TOP CHORD Structural wood sheathing directly applied or 1-10-6 oc purlins, except end verticals.
BOT CHORD 2x4 SPF No.2	BOT CHORD Rigid ceiling directly applied or 6-0-0 oc bracing.
WEBS 2x4 SPF No.2 *Except* A-C: 2x3 SPF No.2	

REACTIONS. (size) D=1-10-6, C=1-10-6
 Max Horz D=58(LC 5)
 Max Uplift D=-535(LC 24), C=-535(LC 27)
 Max Grav D=544(LC 31), C=544(LC 28)

FORCES. (lb) - Max. Comp./Max. Ten. - All forces 250 (lb) or less except when shown.
 TOP CHORD A-D=-528/543, A-B=-361/356
 BOT CHORD C-D=-390/385
 WEBS A-C=-665/665

- NOTES-**
- 1) Wind: ASCE 7-16; Vult=115mph (3-second gust) Vasd=91mph; TCDL=4.2psf; BCDL=5.0psf; h=30ft; Ke=1.00; Cat. II; Exp B; Enclosed; MWFRS (envelope) gable end zone; cantilever left and right exposed; end vertical left and right exposed; Lumber DOL=1.33 plate grip DOL=1.33
 - 2) Truss designed for wind loads in the plane of the truss only. For studs exposed to wind (normal to the face), see Standard Industry Gable End Details as applicable, or consult qualified building designer as per ANSI/TPI 1.
 - 3) TCLL: ASCE 7-16; Pf=25.0 psf (Lum DOL=1.15 Plate DOL=1.15); Is=1.0; Rough Cat B; Partially Exp.; Ce=1.0; Cs=1.00; Ct=1.10
 - 4) Provide adequate drainage to prevent water ponding.
 - 5) Gable requires continuous bottom chord bearing.
 - 6) Truss to be fully sheathed from one face or securely braced against lateral movement (i.e. diagonal web).
 - 7) Gable studs spaced at 2-0-0 oc.
 - 8) This truss has been designed for a 10.0 psf bottom chord live load nonconcurrent with any other live loads.
 - 9) * This truss has been designed for a live load of 20.0psf on the bottom chord in all areas where a rectangle 3-6-0 tall by 2-0-0 wide will fit between the bottom chord and any other members.
 - 10) Provide mechanical connection (by others) of truss to bearing plate capable of withstanding 100 lb uplift at joint(s) except (jt=lb) D=535, C=535.
 - 11) This truss is designed in accordance with the 2018 International Building Code section 2306.1 and referenced standard ANSI/TPI 1.
 - 12) This truss has been designed for a total drag load of 240 pif. Lumber DOL=(1.33) Plate grip DOL=(1.33) Connect truss to resist drag loads along bottom chord from 0-0-0 to 1-10-6 for 240.0 pif.



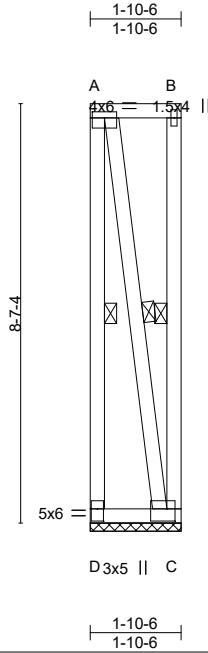
September 12, 2024

Job	Truss	Truss Type	Qty	Ply	Buildings A-H	U1530859
N0653A	S2	BLOCKING SUPPORTED	117	1		

Alliance Truss (CA), Abbotsford, BC - V2S 7P6,

8.820 s Aug 30 2024 MiTek Industries, Inc. Thu Sep 12 02:48:20 2024 Page 1

ID:hFyjDMxrTsEK_kgkR0vWWVzF1gc-kP_FrcE1iEbVkuvGQqDVZ2bvwU_U9dlcVrEYp4yeVqv



Scale = 1:47.3

PRMU20240282 BLDG E

Plate Offsets (X,Y)-- [A:0-3-0,0-1-8], [C:0-2-0,0-3-0], [D:0-3-0,0-1-8]

LOADING (psf)		SPACING-		CSI.		DEFL.				PLATES	GRIP	
TCLL	25.0	Plate Grip DOL	1.15	TC	0.66	Vert(LL)	n/a	-	n/a	999	MT20	197/144
(Roof Snow=25.0)		Lumber DOL	1.15	BC	0.08	Vert(CT)	n/a	-	n/a	999		
TCDL	12.0	Rep Stress Incr	NO	WB	0.68	Horz(CT)	0.00	C	n/a	n/a		
BCLL	0.0 *	Code IBC2018/TPI2014		Matrix-P							Weight: 32 lb	FT = 20%
BCDL	10.0											

LUMBER-

TOP CHORD 2x4 SPF No.2
 BOT CHORD 2x4 SPF No.2
 WEBS 2x4 SPF No.2

BRACING-

TOP CHORD Structural wood sheathing directly applied or 1-10-6 oc purlins, except end verticals.
 BOT CHORD Rigid ceiling directly applied or 6-0-0 oc bracing.
 WEBS 1 Row at midpt A-D, B-C, A-C

REACTIONS.

(size) D=1-10-6, C=1-10-6
 Max Uplift D=-2005(LC 23), C=-2005(LC 24)
 Max Grav D=2030(LC 44), C=2030(LC 43)

FORCES. (lb) - Max. Comp./Max. Ten. - All forces 250 (lb) or less except when shown.

TOP CHORD A-D=-2014/2013, A-B=-340/340
 BOT CHORD C-D=-340/340
 WEBS A-C=-2031/2031

NOTES-

- 1) Wind: ASCE 7-16; Vult=115mph (3-second gust) Vasd=91mph; TCDL=4.2psf; BCDL=5.0psf; h=30ft; Ke=1.00; Cat. II; Exp B; Enclosed; MWFRS (envelope) gable end zone; Lumber DOL=1.33 plate grip DOL=1.33
- 2) TCLL: ASCE 7-16; Pf=25.0 psf (Lum DOL = 1.15 Plate DOL = 1.15); Is=1.0; Rough Cat B; Partially Exp.; Ce=1.0; Cs=1.00; Ct=1.10
- 3) Provide adequate drainage to prevent water ponding.
- 4) Gable requires continuous bottom chord bearing.
- 5) This truss has been designed for a 10.0 psf bottom chord live load nonconcurrent with any other live loads.
- 6) * This truss has been designed for a live load of 20.0psf on the bottom chord in all areas where a rectangle 3-6-0 tall by 2-0-0 wide will fit between the bottom chord and any other members.
- 7) Provide mechanical connection (by others) of truss to bearing plate capable of withstanding 100 lb uplift at joint(s) except (jt=lb) D=2005, C=2005.
- 8) This truss is designed in accordance with the 2018 International Building Code section 2306.1 and referenced standard ANSI/TPI 1.
- 9) This truss has been designed for a total drag load of 240 plf. Lumber DOL=(1.33) Plate grip DOL=(1.33) Connect truss to resist drag loads along bottom chord from 0-0-0 to 1-10-6 for 240.0 plf.



September 12, 2024

WARNING - Verify design parameters and READ NOTES ON THIS AND INCLUDED MITEK REFERENCE PAGE MII-7473 rev. 6/30/2020 BEFORE USE.

Design valid for use only with MiTek® connectors. This design is based only upon parameters shown, and is for an individual building component, not a truss system. Before use, the building designer must verify the applicability of design parameters and properly incorporate this design into the overall building design. Bracing indicated is to prevent buckling of individual truss web and/or chord members only. Additional temporary and permanent bracing is always required for stability and to prevent collapse with possible personal injury and property damage. For general guidance regarding the fabrication, storage, delivery, erection and bracing of trusses and truss systems, see

Safety Information available from Truss Plate Institute, 2670 Crain Highway, Suite 203 Waldorf, MD 20601

ANSI/TPI1 Quality Criteria, DSB-89 and BCSI Building Component



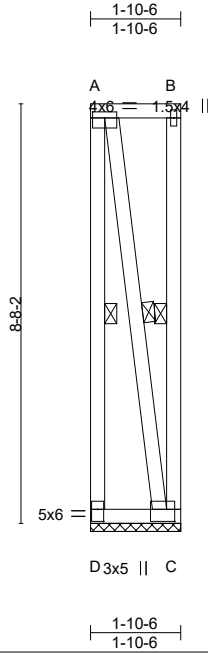
240 Stirling Crescent
 Bradford, ON. L3Z 4L5

Job	Truss	Truss Type	Qty	Ply	Buildings A-H	U1530860
N0653A	S3	BLOCKING SUPPORTED	117	1		

Alliance Truss (CA), Abbotsford, BC - V2S 7P6,

8.820 s Aug 30 2024 MiTek Industries, Inc. Thu Sep 12 02:48:21 2024 Page 1

ID:hFyjDMxrTsEK_kgkR0vWWVzFlgc-CbYd3yFTXjML1UTzYkk5F84PuKpu4HlkVz5LWyeVqu



Scale: 1/4"=1'

PRMU20240282 BLDG E

Plate Offsets (X,Y)-- [A:0-3-0,0-1-8], [C:0-2-0,0-3-0], [D:0-3-0,0-1-8]

LOADING (psf)		SPACING-		CSI.		DEFL.				PLATES	GRIP	
TCLL	25.0	Plate Grip DOL	1.15	TC	0.68	Vert(LL)	n/a	-	n/a	999	MT20	197/144
(Roof Snow=25.0)		Lumber DOL	1.15	BC	0.07	Vert(CT)	n/a	-	n/a	999		
TCDL	12.0	Rep Stress Incr	YES	WB	0.69	Horz(CT)	0.00	C	n/a	n/a		
BCLL	0.0 *	Code IBC2018/TPI2014		Matrix-P							Weight: 32 lb	FT = 20%
BCDL	10.0											

LUMBER-

TOP CHORD 2x4 SPF No.2
 BOT CHORD 2x4 SPF No.2
 WEBS 2x4 SPF No.2

BRACING-

TOP CHORD Structural wood sheathing directly applied or 1-10-6 oc purlins, except end verticals.
 BOT CHORD Rigid ceiling directly applied or 6-0-0 oc bracing.
 WEBS 1 Row at midpt A-D, B-C, A-C

REACTIONS.

(size) D=1-10-6, C=1-10-6
 Max Uplift D=-2022(LC 23), C=-2022(LC 24)
 Max Grav D=2047(LC 44), C=2047(LC 43)

FORCES. (lb) - Max. Comp./Max. Ten. - All forces 250 (lb) or less except when shown.

TOP CHORD A-D=-2031/2029, A-B=-340/340
 BOT CHORD C-D=-340/340
 WEBS A-C=-2047/2047

NOTES-

- 1) Wind: ASCE 7-16; Vult=115mph (3-second gust) Vasd=91mph; TCDL=4.2psf; BCDL=5.0psf; h=30ft; Ke=1.00; Cat. II; Exp B; Enclosed; MWFRS (envelope) gable end zone; Lumber DOL=1.33 plate grip DOL=1.33
- 2) TCLL: ASCE 7-16; Pf=25.0 psf (Lum DOL = 1.15 Plate DOL = 1.15); Is=1.0; Rough Cat B; Partially Exp.; Ce=1.0; Cs=1.00; Ct=1.10
- 3) Provide adequate drainage to prevent water ponding.
- 4) Gable requires continuous bottom chord bearing.
- 5) This truss has been designed for a 10.0 psf bottom chord live load nonconcurrent with any other live loads.
- 6) * This truss has been designed for a live load of 20.0psf on the bottom chord in all areas where a rectangle 3-6-0 tall by 2-0-0 wide will fit between the bottom chord and any other members.
- 7) Provide mechanical connection (by others) of truss to bearing plate capable of withstanding 100 lb uplift at joint(s) except (jt=lb) D=2022, C=2022.
- 8) This truss is designed in accordance with the 2018 International Building Code section 2306.1 and referenced standard ANSI/TPI 1.
- 9) This truss has been designed for a total drag load of 240 plf. Lumber DOL=(1.33) Plate grip DOL=(1.33) Connect truss to resist drag loads along bottom chord from 0-0-0 to 1-10-6 for 240.0 plf.



September 12, 2024

WARNING - Verify design parameters and READ NOTES ON THIS AND INCLUDED MITEK REFERENCE PAGE MII-7473 rev. 6/30/2020 BEFORE USE.

Design valid for use only with MiTek® connectors. This design is based only upon parameters shown, and is for an individual building component, not a truss system. Before use, the building designer must verify the applicability of design parameters and properly incorporate this design into the overall building design. Bracing indicated is to prevent buckling of individual truss web and/or chord members only. Additional temporary and permanent bracing is always required for stability and to prevent collapse with possible personal injury and property damage. For general guidance regarding the fabrication, storage, delivery, erection and bracing of trusses and truss systems, see

Safety Information available from Truss Plate Institute, 2670 Crain Highway, Suite 203 Waldorf, MD 20601

ANSI/TPI1 Quality Criteria, DSB-89 and BCSI Building Component



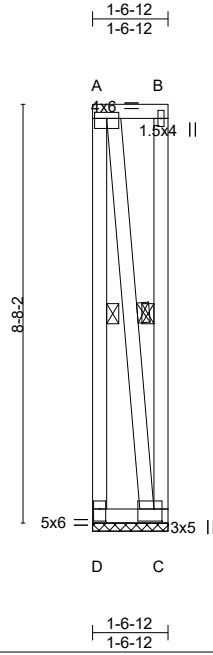
240 Stirling Crescent
 Bradford, ON. L3Z 4L5

Job	Truss	Truss Type	Qty	Ply	Buildings A-H	U1530861
N0653A	S3A	BLOCKING SUPPORTED	1	1		

Alliance Truss (CA), Abbotsford, BC - V2S 7P6,

8.820 s Aug 30 2024 MiTek Industries, Inc. Thu Sep 12 02:48:21 2024 Page 1

ID:hFyjDMxrTsEK_kgkR0vWWVzFlgc-CbYd3yFTXjML1UTzYkk5F84QuLyu4QlkVz5LWyeVqu



Scale: 1/4"=1'

PRMU20240282 BLDG E

Plate Offsets (X,Y)-- [A:0-3-0,0-1-8], [C:0-2-0,0-3-0], [D:0-3-0,0-1-8]

LOADING (psf)	SPACING-	CSI.	DEFL.	in (loc)	l/defl	L/d	PLATES	GRIP
TCLL 25.0 (Roof Snow=25.0)	2-0-0 Plate Grip DOL 1.15 Lumber DOL 1.15	TC 0.68 BC 0.06 WB 0.68 Matrix-P	Vert(LL) Vert(CT) Horz(CT)	n/a n/a 0.00	- - C	n/a n/a n/a	MT20	197/144
TCDL 12.0	Rep Stress Incr NO Code IBC2018/TPI2014						Weight: 31 lb	FT = 20%
BCLL 0.0 *								
BCDL 10.0								

LUMBER-

TOP CHORD 2x4 SPF No.2
BOT CHORD 2x4 SPF No.2
WEBS 2x4 SPF No.2

BRACING-

TOP CHORD Structural wood sheathing directly applied or 1-6-12 oc purlins, except end verticals.
BOT CHORD Rigid ceiling directly applied or 6-0-0 oc bracing.
WEBS 1 Row at midpt A-D, B-C, A-C

REACTIONS.

(size) D=1-6-12, C=1-6-12
Max Uplift D=-2020(LC 23), C=-2020(LC 24)
Max Grav D=2040(LC 44), C=2040(LC 43)

FORCES. (lb) - Max. Comp./Max. Ten. - All forces 250 (lb) or less except when shown.

TOP CHORD A-D=-2027/2026, A-B=-274/274
BOT CHORD C-D=-275/275
WEBS A-C=-2035/2035

NOTES-

- 1) Wind: ASCE 7-16; Vult=115mph (3-second gust) Vasd=91mph; TCDL=4.2psf; BCDL=5.0psf; h=30ft; Ke=1.00; Cat. II; Exp B; Enclosed; MWFRS (envelope) gable end zone; Lumber DOL=1.33 plate grip DOL=1.33
- 2) TCLL: ASCE 7-16; Pf=25.0 psf (Lum DOL = 1.15 Plate DOL = 1.15); Is=1.0; Rough Cat B; Partially Exp.; Ce=1.0; Cs=1.00; Ct=1.10
- 3) Provide adequate drainage to prevent water ponding.
- 4) Gable requires continuous bottom chord bearing.
- 5) This truss has been designed for a 10.0 psf bottom chord live load nonconcurrent with any other live loads.
- 6) * This truss has been designed for a live load of 20.0psf on the bottom chord in all areas where a rectangle 3-6-0 tall by 2-0-0 wide will fit between the bottom chord and any other members.
- 7) Provide mechanical connection (by others) of truss to bearing plate capable of withstanding 100 lb uplift at joint(s) except (jt=lb) D=2020, C=2020.
- 8) This truss is designed in accordance with the 2018 International Building Code section 2306.1 and referenced standard ANSI/TPI 1.
- 9) This truss has been designed for a total drag load of 240 plf. Lumber DOL=(1.33) Plate grip DOL=(1.33) Connect truss to resist drag loads along bottom chord from 0-0-0 to 1-6-12 for 240.0 plf.



September 12, 2024

WARNING - Verify design parameters and READ NOTES ON THIS AND INCLUDED MITEK REFERENCE PAGE MII-7473 rev. 6/30/2020 BEFORE USE.

Design valid for use only with MiTek® connectors. This design is based only upon parameters shown, and is for an individual building component, not a truss system. Before use, the building designer must verify the applicability of design parameters and properly incorporate this design into the overall building design. Bracing indicated is to prevent buckling of individual truss web and/or chord members only. Additional temporary and permanent bracing is always required for stability and to prevent collapse with possible personal injury and property damage. For general guidance regarding the fabrication, storage, delivery, erection and bracing of trusses and truss systems, see

Safety Information available from Truss Plate Institute, 2670 Crain Highway, Suite 203 Waldorf, MD 20601

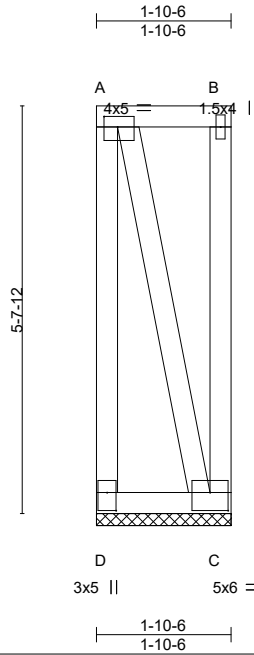


240 Stirling Crescent
Bradford, ON. L3Z 4L5

Job	Truss	Truss Type	Qty	Ply	Buildings A-H	U1530862
N0653A	S4	BLOCKING SUPPORTED	88	1		

Alliance Truss (CA), Abbotsford, BC - V2S 7P6,

8.820 s Aug 30 2024 MiTek Industries, Inc. Thu Sep 12 02:48:22 2024 Page 1
ID:hFyjDMxrTsEK_kgkR0vWWVzFfgc-gn6?GIFHErrDzB3fXFGzeTgEElgjdUFvy9jftyVqt



Scale: 3/8"=1'

PRMU20240282 BLDG E

Plate Offsets (X,Y)-- [A:0-2-4,0-1-12], [C:0-3-0,0-3-0], [D:0-3-0,0-1-8]

LOADING (psf)	SPACING-	CSI.	DEFL.	in (loc)	l/defl	L/d	PLATES	GRIP
TCLL 25.0 (Roof Snow=25.0)	2-0-0 Plate Grip DOL 1.15 Lumber DOL 1.15	TC 0.74 BC 0.09 WB 0.84 Matrix-P	Vert(LL) Vert(CT) Horz(CT)	n/a n/a -0.00	- - C	n/a n/a n/a	MT20	197/144
TCDL 12.0	Rep Stress Incr YES Code IBC2018/TPI2014						Weight: 22 lb	FT = 20%
BCLL 0.0 *								
BCDL 10.0								

LUMBER-

TOP CHORD 2x4 SPF No.2
BOT CHORD 2x4 SPF No.2
WEBS 2x4 SPF No.2

BRACING-

TOP CHORD Structural wood sheathing directly applied or 1-10-6 oc purlins, except end verticals.
BOT CHORD Rigid ceiling directly applied or 6-0-0 oc bracing.

REACTIONS.

(size) D=1-10-6, C=1-10-6
Max Horz D=-151(LC 4)
Max Uplift D=-1553(LC 24), C=-1553(LC 27)
Max Grav D=1561(LC 31), C=1561(LC 28)

FORCES. (lb) - Max. Comp./Max. Ten. - All forces 250 (lb) or less except when shown.

TOP CHORD A-D=-1545/1561, A-B=-396/382
BOT CHORD C-D=-472/458
WEBS A-C=-1609/1609

NOTES-

- Wind: ASCE 7-16; Vult=115mph (3-second gust) Vasd=91mph; TCDL=4.2psf; BCDL=5.0psf; h=30ft; Ke=1.00; Cat. II; Exp B; Enclosed; MWFRS (envelope) gable end zone; cantilever left and right exposed; end vertical left and right exposed; Lumber DOL=1.33 plate grip DOL=1.33
- Truss designed for wind loads in the plane of the truss only. For studs exposed to wind (normal to the face), see Standard Industry Gable End Details as applicable, or consult qualified building designer as per ANSI/TPI 1.
- TCLL: ASCE 7-16; Pf=25.0 psf (Lum DOL = 1.15 Plate DOL = 1.15); Is=1.0; Rough Cat B; Partially Exp.; Ce=1.0; Cs=1.00; Ct=1.10
- Provide adequate drainage to prevent water ponding.
- Gable requires continuous bottom chord bearing.
- Truss to be fully sheathed from one face or securely braced against lateral movement (i.e. diagonal web).
- Gable studs spaced at 2-0-0 oc.
- This truss has been designed for a 10.0 psf bottom chord live load nonconcurrent with any other live loads.
- * This truss has been designed for a live load of 20.0psf on the bottom chord in all areas where a rectangle 3-6-0 tall by 2-0-0 wide will fit between the bottom chord and any other members.
- Provide mechanical connection (by others) of truss to bearing plate capable of withstanding 100 lb uplift at joint(s) except (jt=lb) D=1553, C=1553.
- This truss is designed in accordance with the 2018 International Building Code section 2306.1 and referenced standard ANSI/TPI 1.
- This truss has been designed for a total drag load of 240 plf. Lumber DOL=(1.33) Plate grip DOL=(1.33) Connect truss to resist drag loads along bottom chord from 0-0-0 to 1-10-6 for 240.0 plf.



September 12, 2024

WARNING - Verify design parameters and READ NOTES ON THIS AND INCLUDED MITEK REFERENCE PAGE MII-7473 rev. 6/30/2020 BEFORE USE.

Design valid for use only with MiTek® connectors. This design is based only upon parameters shown, and is for an individual building component, not a truss system. Before use, the building designer must verify the applicability of design parameters and properly incorporate this design into the overall building design. Bracing indicated is to prevent buckling of individual truss web and/or chord members only. Additional temporary and permanent bracing is always required for stability and to prevent collapse with possible personal injury and property damage. For general guidance regarding the fabrication, storage, delivery, erection and bracing of trusses and truss systems, see

ANSI/TPI1 Quality Criteria, DSB-89 and BCSI Building Component Safety Information available from Truss Plate Institute, 2670 Crain Highway, Suite 203 Waldorf, MD 20601



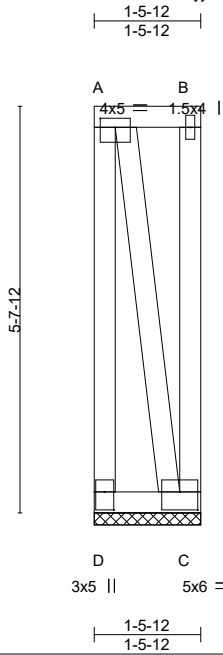
240 Stirling Crescent
Bradford, ON. L3Z 4L5

Job	Truss	Truss Type	Qty	Ply	Buildings A-H	U1530863
N0653A	S5	BLOCKING SUPPORTED	22	1		

Alliance Truss (CA), Abbotsford, BC - V2S 7P6,

8.820 s Aug 30 2024 MiTek Industries, Inc. Thu Sep 12 02:48:23 2024 Page 1

ID:hFyjDMxrTsEK_kgkR0vWWVzF1gc-8_gOTeGv_9z3bLer5ynCBgDOsi0DMxJ2BpSCQPyeVqs



Scale: 3/8"=1'

PRMU20240282 BLDG E

Plate Offsets (X,Y)-- [A:0-2-8,0-1-8], [C:0-3-0,0-3-0], [D:0-3-0,0-1-8]

LOADING (psf)	SPACING-	CSI.	DEFL.	in (loc)	l/defl	L/d	PLATES	GRIP
TCLL 25.0 (Roof Snow=25.0)	2-0-0 Plate Grip DOL 1.15	TC 0.81	Vert(LL)	n/a	-	n/a	MT20	197/144
TCDL 12.0	Lumber DOL 1.15	BC 0.07	Vert(CT)	n/a	-	n/a		
BCLL 0.0 *	Rep Stress Incr YES	WB 0.85	Horz(CT)	-0.00	C	n/a		
BCDL 10.0	Code IBC2018/TPI2014	Matrix-P					Weight: 21 lb	FT = 20%

LUMBER-

TOP CHORD 2x4 SPF No.2
 BOT CHORD 2x4 SPF No.2
 WEBS 2x4 SPF No.2

BRACING-

TOP CHORD Structural wood sheathing directly applied or 1-5-12 oc purlins, except end verticals.
 BOT CHORD Rigid ceiling directly applied or 6-0-0 oc bracing.

REACTIONS.

(size) D=1-5-12, C=1-5-12
 Max Horz D=-152(LC 25)
 Max Uplift D=-1634(LC 24), C=-1634(LC 27)
 Max Grav D=1640(LC 31), C=1640(LC 28)

FORCES. (lb) - Max. Comp./Max. Ten. - All forces 250 (lb) or less except when shown.

TOP CHORD A-D=-1629/1640, A-B=-313/299
 BOT CHORD C-D=-389/375
 WEBS A-C=-1667/1667

NOTES-

- 1) Wind: ASCE 7-16; Vult=115mph (3-second gust) Vasd=91mph; TCDL=4.2psf; BCDL=5.0psf; h=30ft; Ke=1.00; Cat. II; Exp B; Enclosed; MWFRS (envelope) gable end zone; cantilever left and right exposed ; end vertical left and right exposed; Lumber DOL=1.33 plate grip DOL=1.33
- 2) Truss designed for wind loads in the plane of the truss only. For studs exposed to wind (normal to the face), see Standard Industry Gable End Details as applicable, or consult qualified building designer as per ANSI/TPI 1.
- 3) TCLL: ASCE 7-16; Pf=25.0 psf (Lum DOL = 1.15 Plate DOL = 1.15); Is=1.0; Rough Cat B; Partially Exp.; Ce=1.0; Cs=1.00; Ct=1.10
- 4) Provide adequate drainage to prevent water ponding.
- 5) Gable requires continuous bottom chord bearing.
- 6) Truss to be fully sheathed from one face or securely braced against lateral movement (i.e. diagonal web).
- 7) Gable studs spaced at 2-0-0 oc.
- 8) This truss has been designed for a 10.0 psf bottom chord live load nonconcurrent with any other live loads.
- 9) * This truss has been designed for a live load of 20.0psf on the bottom chord in all areas where a rectangle 3-6-0 tall by 2-0-0 wide will fit between the bottom chord and any other members.
- 10) Provide mechanical connection (by others) of truss to bearing plate capable of withstanding 100 lb uplift at joint(s) except (jt=lb) D=1634, C=1634.
- 11) This truss is designed in accordance with the 2018 International Building Code section 2306.1 and referenced standard ANSI/TPI 1.
- 12) This truss has been designed for a total drag load of 240 plf. Lumber DOL=(1.33) Plate grip DOL=(1.33) Connect truss to resist drag loads along bottom chord from 0-0-0 to 1-5-12 for 240.0 plf.



September 12, 2024

WARNING - Verify design parameters and READ NOTES ON THIS AND INCLUDED MITEK REFERENCE PAGE MII-7473 rev. 6/30/2020 BEFORE USE.

Design valid for use only with MiTek® connectors. This design is based only upon parameters shown, and is for an individual building component, not a truss system. Before use, the building designer must verify the applicability of design parameters and properly incorporate this design into the overall building design. Bracing indicated is to prevent buckling of individual truss web and/or chord members only. Additional temporary and permanent bracing is always required for stability and to prevent collapse with possible personal injury and property damage. For general guidance regarding the fabrication, storage, delivery, erection and bracing of trusses and truss systems, see

Safety Information available from Truss Plate Institute, 2670 Crain Highway, Suite 203 Waldorf, MD 20601

ANSI/TPI1 Quality Criteria, DSB-89 and BCSI Building Component



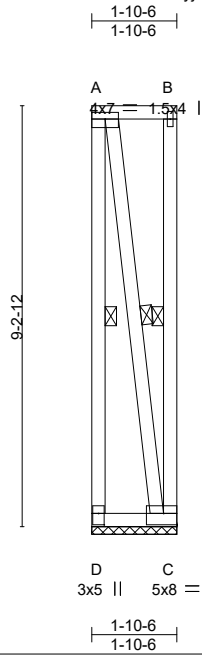
240 Stirling Crescent
 Bradford, ON. L3Z 4L5

Job	Truss	Truss Type	Qty	Ply	Buildings A-H	U1530864
N0653A	S6	BLOCKING SUPPORTED	98	1		

Alliance Truss (CA), Abbotsford, BC - V2S 7P6,

8.820 s Aug 30 2024 MiTek Industries, Inc. Thu Sep 12 02:48:23 2024 Page 1

ID:hFyjDMxrTsEK_kgkR0vWVvzFlgc-8_gOTeGv_9z3bLer5ynCBgD0oi0HMyf2BpSCQPyeVqs



Scale = 1:50.5

PRMU20240282 BLDG E

Plate Offsets (X,Y)-- [A:Edge,0-1-12], [C:Edge,0-3-0], [D:0-3-0,0-1-8]

LOADING (psf)		SPACING-		CSI.		DEFL.				PLATES	GRIP	
TCLL	25.0	Plate Grip DOL	1.15	TC	0.81	Vert(LL)	n/a	-	n/a	999	MT20	197/144
(Roof Snow=25.0)		Lumber DOL	1.15	BC	0.07	Vert(CT)	n/a	-	n/a	999		
TCDL	12.0	Rep Stress Incr	YES	WB	0.83	Horz(CT)	0.00	C	n/a	n/a		
BCLL	0.0 *	Code IBC2018/TPI2014		Matrix-P							Weight: 34 lb	FT = 20%
BCDL	10.0											

LUMBER-

TOP CHORD 2x4 SPF No.2
 BOT CHORD 2x4 SPF No.2
 WEBS 2x4 SPF No.2

BRACING-

TOP CHORD Structural wood sheathing directly applied or 1-10-6 oc purlins, except end verticals.
 BOT CHORD Rigid ceiling directly applied or 6-0-0 oc bracing.
 WEBS 1 Row at midpt A-D, B-C, A-C

REACTIONS.

(size) D=1-10-6, C=1-10-6
 Max Uplift D=-2155(LC 23), C=-2155(LC 24)
 Max Grav D=2180(LC 44), C=2180(LC 43)

FORCES. (lb) - Max. Comp./Max. Ten. - All forces 250 (lb) or less except when shown.

TOP CHORD A-D=-2164/2163, A-B=-340/340
 BOT CHORD C-D=-340/340
 WEBS A-C=-2178/2178

NOTES-

- 1) Wind: ASCE 7-16; Vult=115mph (3-second gust) Vasd=91mph; TCDL=4.2psf; BCDL=5.0psf; h=30ft; Ke=1.00; Cat. II; Exp B; Enclosed; MWFRS (envelope) gable end zone; Lumber DOL=1.33 plate grip DOL=1.33
- 2) TCLL: ASCE 7-16; Pf=25.0 psf (Lum DOL = 1.15 Plate DOL = 1.15); Is=1.0; Rough Cat B; Partially Exp.; Ce=1.0; Cs=1.00; Ct=1.10
- 3) Provide adequate drainage to prevent water ponding.
- 4) Gable requires continuous bottom chord bearing.
- 5) This truss has been designed for a 10.0 psf bottom chord live load nonconcurrent with any other live loads.
- 6) * This truss has been designed for a live load of 20.0psf on the bottom chord in all areas where a rectangle 3-6-0 tall by 2-0-0 wide will fit between the bottom chord and any other members.
- 7) Provide mechanical connection (by others) of truss to bearing plate capable of withstanding 100 lb uplift at joint(s) except (jt=lb) D=2155, C=2155.
- 8) This truss is designed in accordance with the 2018 International Building Code section 2306.1 and referenced standard ANSI/TPI 1.
- 9) This truss has been designed for a total drag load of 240 plf. Lumber DOL=(1.33) Plate grip DOL=(1.33) Connect truss to resist drag loads along bottom chord from 0-0-0 to 1-10-6 for 240.0 plf.



September 12, 2024

WARNING - Verify design parameters and READ NOTES ON THIS AND INCLUDED MITEK REFERENCE PAGE MII-7473 rev. 6/30/2020 BEFORE USE.

Design valid for use only with MiTek® connectors. This design is based only upon parameters shown, and is for an individual building component, not a truss system. Before use, the building designer must verify the applicability of design parameters and properly incorporate this design into the overall building design. Bracing indicated is to prevent buckling of individual truss web and/or chord members only. Additional temporary and permanent bracing is always required for stability and to prevent collapse with possible personal injury and property damage. For general guidance regarding the fabrication, storage, delivery, erection and bracing of trusses and truss systems, see

Safety Information available from Truss Plate Institute, 2670 Crain Highway, Suite 203 Waldorf, MD 20601

ANSI/TPI1 Quality Criteria, DSB-89 and BCSI Building Component



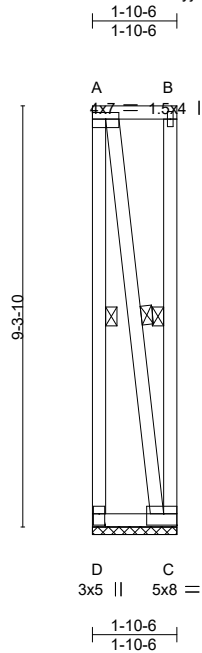
240 Stirling Crescent
 Bradford, ON. L3Z 4L5

Job	Truss	Truss Type	Qty	Ply	Buildings A-H	U1530865
N0653A	S7	BLOCKING SUPPORTED	99	1		

Alliance Truss (CA), Abbotsford, BC - V2S 7P6,

8.820 s Aug 30 2024 MiTek Industries, Inc. Thu Sep 12 02:48:24 2024 Page 1

ID:hFyjDMxrTsEK_kgkR0vWWVzFfgc-cAEmh_HXIS5wCVD2fglSjulYE6MW5OcBQTcmyryeVqr



Scale = 1:50.9

PRMU20240282 BLDG E

Plate Offsets (X,Y)-- [A:Edge,0-1-12], [C:Edge,0-3-0], [D:0-3-0,0-1-8]

LOADING (psf)	SPACING-	CSI.	DEFL.	in (loc)	l/defl	L/d	PLATES	GRIP
TCLL 25.0 (Roof Snow=25.0)	2-0-0 Plate Grip DOL 1.15	TC 0.83	Vert(LL)	n/a	-	n/a	MT20	197/144
TCDL 12.0	Lumber DOL 1.15	BC 0.07	Vert(CT)	n/a	-	n/a		
BCLL 0.0 *	Rep Stress Incr YES	WB 0.85	Horz(CT)	0.00	C	n/a		
BCDL 10.0	Code IBC2018/TPI2014	Matrix-P					Weight: 34 lb	FT = 20%

LUMBER-

TOP CHORD 2x4 SPF No.2
 BOT CHORD 2x4 SPF No.2
 WEBS 2x4 SPF No.2

BRACING-

TOP CHORD Structural wood sheathing directly applied or 1-10-6 oc purlins, except end verticals.
 BOT CHORD Rigid ceiling directly applied or 6-0-0 oc bracing.
 WEBS 1 Row at midpt A-D, B-C, A-C

REACTIONS.

(size) D=1-10-6, C=1-10-6
 Max Uplift D=-2171(LC 23), C=-2171(LC 24)
 Max Grav D=2197(LC 44), C=2197(LC 43)

FORCES. (lb) - Max. Comp./Max. Ten. - All forces 250 (lb) or less except when shown.

TOP CHORD A-D=-2181/2179, A-B=-340/340
 BOT CHORD C-D=-340/340
 WEBS A-C=-2195/2195

NOTES-

- 1) Wind: ASCE 7-16; Vult=115mph (3-second gust) Vasd=91mph; TCDL=4.2psf; BCDL=5.0psf; h=30ft; Ke=1.00; Cat. II; Exp B; Enclosed; MWFRS (envelope) gable end zone; Lumber DOL=1.33 plate grip DOL=1.33
- 2) TCLL: ASCE 7-16; Pf=25.0 psf (Lum DOL = 1.15 Plate DOL = 1.15); Is=1.0; Rough Cat B; Partially Exp.; Ce=1.0; Cs=1.00; Ct=1.10
- 3) Provide adequate drainage to prevent water ponding.
- 4) Gable requires continuous bottom chord bearing.
- 5) This truss has been designed for a 10.0 psf bottom chord live load nonconcurrent with any other live loads.
- 6) * This truss has been designed for a live load of 20.0psf on the bottom chord in all areas where a rectangle 3-6-0 tall by 2-0-0 wide will fit between the bottom chord and any other members.
- 7) Provide mechanical connection (by others) of truss to bearing plate capable of withstanding 100 lb uplift at joint(s) except (jt=lb) D=2171, C=2171.
- 8) This truss is designed in accordance with the 2018 International Building Code section 2306.1 and referenced standard ANSI/TPI 1.
- 9) This truss has been designed for a total drag load of 240 plf. Lumber DOL=(1.33) Plate grip DOL=(1.33) Connect truss to resist drag loads along bottom chord from 0-0-0 to 1-10-6 for 240.0 plf.



September 12, 2024

WARNING - Verify design parameters and READ NOTES ON THIS AND INCLUDED MITEK REFERENCE PAGE MII-7473 rev. 6/30/2020 BEFORE USE.

Design valid for use only with MiTek® connectors. This design is based only upon parameters shown, and is for an individual building component, not a truss system. Before use, the building designer must verify the applicability of design parameters and properly incorporate this design into the overall building design. Bracing indicated is to prevent buckling of individual truss web and/or chord members only. Additional temporary and permanent bracing is always required for stability and to prevent collapse with possible personal injury and property damage. For general guidance regarding the fabrication, storage, delivery, erection and bracing of trusses and truss systems, see

Safety Information available from Truss Plate Institute, 2670 Crain Highway, Suite 203 Waldorf, MD 20601

ANSI/TPI1 Quality Criteria, DSB-89 and BCSI Building Component



240 Stirling Crescent
 Bradford, ON. L3Z 4L5

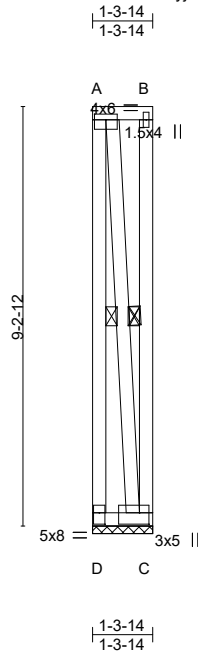
Job	Truss	Truss Type	Qty	Ply	Buildings A-H	U1530796
N0653A	S8	BLOCKING SUPPORTED	4	1		

Alliance Truss (CA), Abbotsford, BC - V2S 7P6,

8.630 s Jul 12 2024 MiTek Industries, Inc. Thu Sep 12 02:47:45 2024 Page 1

ID:hFyjDMxrTsEK_kgkR0vWWVzFgC-RfC?PsB70Hq3NSgPqnL8w3ulTXbGKWrCDoi7J4zJC?f

Scale = 1:50.7



PRMU20240282 BLDG E

Plate Offsets (X,Y)-- [A:0-3-0,0-1-8], [C:0-2-8,0-3-0], [D:0-3-0,0-1-8]

LOADING (psf)	SPACING-	CSI.	DEFL.	in (loc)	l/defl	L/d	PLATES	GRIP
TCLL 25.0 (Roof Snow=25.0)	2-0-0 Plate Grip DOL 1.15	TC 0.81	Vert(LL)	n/a	-	n/a	MT20	197/144
TCDL 12.0	Lumber DOL 1.15	BC 0.04	Vert(CT)	n/a	-	n/a		
BCLL 0.0 *	Rep Stress Incr YES	WB 0.81	Horz(CT)	0.00	C	n/a		
BCDL 10.0	Code IBC2018/TPI2014	Matrix-P					Weight: 33 lb	FT = 20%

LUMBER-

TOP CHORD 2x4 SPF No.2
 BOT CHORD 2x4 SPF No.2
 WEBS 2x4 SPF No.2

BRACING-

TOP CHORD Structural wood sheathing directly applied or 1-3-14 oc purlins, except end verticals.
 BOT CHORD Rigid ceiling directly applied or 6-0-0 oc bracing.
 WEBS 1 Row at midpt A-D, B-C, A-C

REACTIONS.

(size) D=1-3-14, C=1-3-14
 Max Uplift D=-2152(LC 23), C=-2152(LC 24)
 Max Grav D=2168(LC 44), C=2168(LC 43)

FORCES. (lb) - Max. Comp./Max. Ten. - All forces 250 (lb) or less except when shown.

TOP CHORD A-D=-2158/2157
 WEBS A-C=-2160/2160

NOTES-

- 1) Wind: ASCE 7-16; Vult=115mph (3-second gust) Vasd=91mph; TCDL=4.2psf; BCDL=5.0psf; h=30ft; Ke=1.00; Cat. II; Exp B; Enclosed; MWFRS (envelope) gable end zone; Lumber DOL=1.33 plate grip DOL=1.33
- 2) TCLL: ASCE 7-16; Pf=25.0 psf (Lum DOL=1.15 Plate DOL=1.15); Is=1.0; Rough Cat B; Partially Exp.; Ce=1.0; Cs=1.0; Ct=1.10
- 3) Provide adequate drainage to prevent water ponding.
- 4) Gable requires continuous bottom chord bearing.
- 5) This truss has been designed for a 10.0 psf bottom chord live load nonconcurrent with any other live loads.
- 6) * This truss has been designed for a live load of 20.0psf on the bottom chord in all areas where a rectangle 3-6-0 tall by 2-0-0 wide will fit between the bottom chord and any other members.
- 7) Provide mechanical connection (by others) of truss to bearing plate capable of withstanding 100 lb uplift at joint(s) except (jt=lb) D=2152, C=2152.
- 8) This truss is designed in accordance with the 2018 International Building Code section 2306.1 and referenced standard ANSI/TPI 1.
- 9) This truss has been designed for a total drag load of 240 plf. Lumber DOL=(1.33) Plate grip DOL=(1.33) Connect truss to resist drag loads along bottom chord from 0-0-0 to 1-3-14 for 240.0 plf.



September 12, 2024

WARNING - Verify design parameters and READ NOTES ON THIS AND INCLUDED MITEK REFERENCE PAGE MII-7473 rev. 6/30/2020 BEFORE USE.

Design valid for use only with MiTek® connectors. This design is based only upon parameters shown, and is for an individual building component, not a truss system. Before use, the building designer must verify the applicability of design parameters and properly incorporate this design into the overall building design. Bracing indicated is to prevent buckling of individual truss web and/or chord members only. Additional temporary and permanent bracing is always required for stability and to prevent collapse with possible personal injury and property damage. For general guidance regarding the fabrication, storage, delivery, erection and bracing of trusses and truss systems, see

Safety Information available from Truss Plate Institute, 2670 Crain Highway, Suite 203 Waldorf, MD 20601

ANSI/TPI1 Quality Criteria, DSB-89 and BCSI Building Component



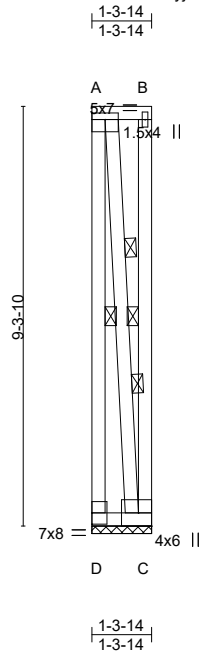
240 Stirling Crescent
 Bradford, ON. L3Z 4L5

Job	Truss	Truss Type	Qty	Ply	Buildings A-H	U1530797
N0653A	S9	BLOCKING SUPPORTED	4	1		

Alliance Truss (CA), Abbotsford, BC - V2S 7P6,

8.630 s Jul 12 2024 MiTek Industries, Inc. Thu Sep 12 02:47:46 2024 Page 1

ID:hFyjDMxrTsEK_kgkR0vWWVzFgC-RfC?PsB70Hq3NSgPqnL8w3ulTXbGKWrCDoi7J4zJC?f



Scale = 1:51.1

Plate Offsets (X,Y)-- [A:Edge,0-1-12]

LOADING (psf)	SPACING-	2-0-0	CSI.	DEFL.	in (loc)	l/defl	L/d	PLATES	GRIP
TCLL 25.0 (Roof Snow=25.0)	Plate Grip DOL 1.15		TC 0.98	Vert(LL) n/a	-	n/a	999	MT20	197/144
TCDL 12.0	Lumber DOL 1.15		BC 0.08	Vert(CT) n/a	-	n/a	999		
BCLL 0.0 *	Rep Stress Incr YES		WB 0.96	Horz(CT) -0.00	C	n/a	n/a		
BCDL 10.0	Code IBC2018/TPI2014		Matrix-P					Weight: 33 lb	FT = 20%

LUMBER-

TOP CHORD 2x4 SPF No.2
 BOT CHORD 2x4 SPF No.2
 WEBS 2x4 SPF 2100F 1.8E *Except*
 A-C: 2x4 SPF No.2

BRACING-

TOP CHORD Structural wood sheathing directly applied or 1-3-14 oc purlins, except end verticals.
 BOT CHORD Rigid ceiling directly applied or 6-0-0 oc bracing.
 WEBS 1 Row at midpt A-D, B-C
 2 Rows at 1/3 pts A-C

REACTIONS.

(size) D=1-3-14, C=1-3-14
 Max Horz D=-255(LC 4)
 Max Uplift D=-3281(LC 24), C=-3281(LC 27)
 Max Grav D=3287(LC 31), C=3287(LC 28)

FORCES. (lb) - Max. Comp./Max. Ten. - All forces 250 (lb) or less except when shown.

TOP CHORD A-D=-3276/3286, A-B=-317/295
 BOT CHORD C-D=-445/422
 WEBS A-C=-3297/3297

NOTES-

- Wind: ASCE 7-16; Vult=115mph (3-second gust) Vasd=91mph; TCDL=4.2psf; BCDL=5.0psf; h=30ft; Ke=1.00; Cat. II; Exp B; Enclosed; MWFRS (envelope) gable end zone; cantilever left and right exposed; end vertical left and right exposed; Lumber DOL=1.33 plate grip DOL=1.33
- Truss designed for wind loads in the plane of the truss only. For studs exposed to wind (normal to the face), see Standard Industry Gable End Details as applicable, or consult qualified building designer as per ANSI/TPI 1.
- TCLL: ASCE 7-16; Pf=25.0 psf (Lum DOL=1.15 Plate DOL=1.15); Is=1.0; Rough Cat B; Partially Exp.; Ce=1.0; Cs=1.00; Ct=1.10
- Provide adequate drainage to prevent water ponding.
- Gable requires continuous bottom chord bearing.
- Truss to be fully sheathed from one face or securely braced against lateral movement (i.e. diagonal web).
- Gable studs spaced at 2-0-0 oc.
- This truss has been designed for a 10.0 psf bottom chord live load nonconcurrent with any other live loads.
- * This truss has been designed for a live load of 20.0 psf on the bottom chord in all areas where a rectangle 3-6-0 tall by 2-0-0 wide will fit between the bottom chord
- Provide mechanical connection withstanding 100 lb uplift at joint(s) except (jt=lb) D=3281, C=3281.
- This truss is designed in accordance with the 2018 International Building Code section 2306.1 and referenced standard ANSI/TPI 1.
- This truss has been designed for a total drag load of 240 pif. Lumber DOL=(1.33) Plate grip DOL=(1.33) Connect truss to resist drag loads along bottom chord from 0-0-0 to 1-3-14 for 240.0 pif.

PRMU20240282 BLDG E



September 12, 2024

WARNING - Verify design parameters and READ NOTES ON THIS AND INCLUDED MITEK REFERENCE PAGE MII-7473 rev. 6/30/2020 BEFORE USE.

Design valid for use only with MiTek® connectors. This design is based only upon parameters shown, and is for an individual building component, not a truss system. Before use, the building designer must verify the applicability of design parameters and properly incorporate this design into the overall building design. Bracing indicated is to prevent buckling of individual truss web and/or chord members only. Additional temporary and permanent bracing is always required for stability and to prevent collapse with possible personal injury and property damage. For general guidance regarding the fabrication, storage, delivery, erection and bracing of trusses and truss systems, see

Safety Information available from Truss Plate Institute, 2670 Crain Highway, Suite 203 Waldorf, MD 20601
 ANSI/TPI1 Quality Criteria, DSB-89 and BCSI Building Component



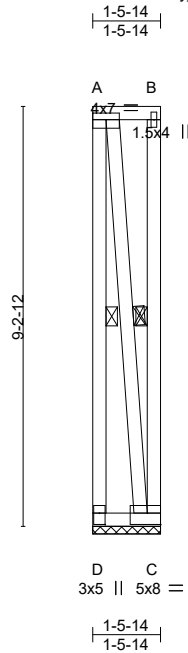
240 Stirling Crescent
 Bradford, ON. L3Z 4L5

Job	Truss	Truss Type	Qty	Ply	Buildings A-H	U1530798
N0653A	S10	BLOCKING SUPPORTED	1	1		

Alliance Truss (CA), Abbotsford, BC - V2S 7P6,

8.630 s Jul 12 2024 MiTek Industries, Inc. Thu Sep 12 02:47:42 2024 Page 1

ID:hFyjDMxrTsEK_kgkR0vWWVzFgC-RfC?PsB70Hq3NSgPqnL8w3ulTXbGKWrCDoi7J4zJC?f



Scale = 1:50.6

PRMU20240282 BLDG E

Plate Offsets (X,Y)-- [A:Edge,0-1-12], [C:Edge,0-3-0], [D:0-3-0,0-1-8]

LOADING (psf)		SPACING-		CSI.		DEFL.				PLATES	GRIP	
TCLL	25.0	Plate Grip DOL	1.15	TC	0.81	Vert(LL)	n/a	-	n/a	999	MT20	197/144
(Roof Snow=25.0)		Lumber DOL	1.15	BC	0.05	Vert(CT)	n/a	-	n/a	999		
TCDL	12.0	Rep Stress Incr	YES	WB	0.82	Horz(CT)	0.00	C	n/a	n/a		
BCLL	0.0 *	Code IBC2018/TPI2014		Matrix-P							Weight: 33 lb	FT = 20%
BCDL	10.0											

LUMBER-

TOP CHORD 2x4 SPF No.2
 BOT CHORD 2x4 SPF No.2
 WEBS 2x4 SPF No.2

BRACING-

TOP CHORD Structural wood sheathing directly applied or 1-5-14 oc purlins, except end verticals.
 BOT CHORD Rigid ceiling directly applied or 6-0-0 oc bracing.
 WEBS 1 Row at midpt A-D, B-C, A-C

REACTIONS.

(size) D=1-5-14, C=1-5-14
 Max Uplift D=-2153(LC 23), C=-2153(LC 24)
 Max Grav D=2172(LC 44), C=2172(LC 43)

FORCES. (lb) - Max. Comp./Max. Ten. - All forces 250 (lb) or less except when shown.

TOP CHORD A-D=-2160/2159, A-B=-259/259
 BOT CHORD C-D=-259/259
 WEBS A-C=-2165/2165

NOTES-

- 1) Wind: ASCE 7-16; Vult=115mph (3-second gust) Vasd=91mph; TCDL=4.2psf; BCDL=5.0psf; h=30ft; Ke=1.00; Cat. II; Exp B; Enclosed; MWFRS (envelope) gable end zone; Lumber DOL=1.33 plate grip DOL=1.33
- 2) TCLL: ASCE 7-16; Pf=25.0 psf (Lum DOL=1.15 Plate DOL=1.15); Is=1.0; Rough Cat B; Partially Exp.; Ce=1.0; Cs=1.00; Ct=1.10
- 3) Provide adequate drainage to prevent water ponding.
- 4) Gable requires continuous bottom chord bearing.
- 5) This truss has been designed for a 10.0 psf bottom chord live load nonconcurrent with any other live loads.
- 6) * This truss has been designed for a live load of 20.0psf on the bottom chord in all areas where a rectangle 3-6-0 tall by 2-0-0 wide will fit between the bottom chord and any other members.
- 7) Provide mechanical connection (by others) of truss to bearing plate capable of withstanding 100 lb uplift at joint(s) except (jt=lb) D=2153, C=2153.
- 8) This truss is designed in accordance with the 2018 International Building Code section 2306.1 and referenced standard ANSI/TPI 1.
- 9) This truss has been designed for a total drag load of 240 plf. Lumber DOL=(1.33) Plate grip DOL=(1.33) Connect truss to resist drag loads along bottom chord from 0-0-0 to 1-5-14 for 240.0 plf.



September 12, 2024

WARNING - Verify design parameters and READ NOTES ON THIS AND INCLUDED MITEK REFERENCE PAGE MII-7473 rev. 6/30/2020 BEFORE USE.

Design valid for use only with MiTek® connectors. This design is based only upon parameters shown, and is for an individual building component, not a truss system. Before use, the building designer must verify the applicability of design parameters and properly incorporate this design into the overall building design. Bracing indicated is to prevent buckling of individual truss web and/or chord members only. Additional temporary and permanent bracing is always required for stability and to prevent collapse with possible personal injury and property damage. For general guidance regarding the fabrication, storage, delivery, erection and bracing of trusses and truss systems, see

Safety Information available from Truss Plate Institute, 2670 Crain Highway, Suite 203 Waldorf, MD 20601

ANSI/TPI1 Quality Criteria, DSB-89 and BCSI Building Component



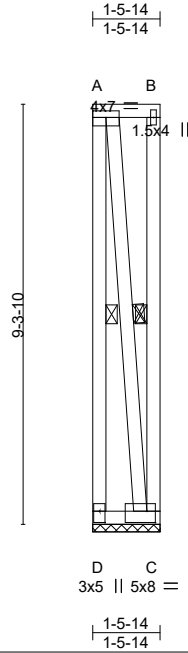
240 Stirling Crescent
 Bradford, ON. L3Z 4L5

Job	Truss	Truss Type	Qty	Ply	Buildings A-H	U1530799
N0653A	S11	BLOCKING SUPPORTED	1	1		

Alliance Truss (CA), Abbotsford, BC - V2S 7P6,

8.630 s Jul 12 2024 MiTek Industries, Inc. Thu Sep 12 02:47:43 2024 Page 1

ID:hFyjDMxrTsEK_kgkR0vWWVzFgC-RfC?PsB70Hq3NSgPqnL8w3ulTXbGKWrCDoi7J4zJC?f



Scale = 1:51.0

PRMU20240282 BLDG E

Plate Offsets (X,Y)-- [A:Edge,0-1-12], [C:0-2-4,0-3-0], [D:0-3-0,0-1-8]

LOADING (psf)	SPACING-	CSI.	DEFL.	in (loc)	l/defl	L/d	PLATES	GRIP
TCLL 25.0 (Roof Snow=25.0)	2-0-0 Plate Grip DOL 1.15	TC 0.83	Vert(LL)	n/a	-	n/a	MT20	197/144
TCDL 12.0	Lumber DOL 1.15	BC 0.05	Vert(CT)	n/a	-	n/a		
BCLL 0.0 *	Rep Stress Incr YES	WB 0.84	Horz(CT)	0.00	C	n/a		
BCDL 10.0	Code IBC2018/TPI2014	Matrix-P					Weight: 33 lb	FT = 20%

LUMBER-

TOP CHORD 2x4 SPF No.2
 BOT CHORD 2x4 SPF No.2
 WEBS 2x4 SPF No.2

BRACING-

TOP CHORD Structural wood sheathing directly applied or 1-5-14 oc purlins, except end verticals.
 BOT CHORD Rigid ceiling directly applied or 6-0-0 oc bracing.
 WEBS 1 Row at midpt A-D, B-C, A-C

REACTIONS.

(size) D=1-5-14, C=1-5-14
 Max Uplift D=-2169(LC 23), C=-2169(LC 24)
 Max Grav D=2188(LC 44), C=2188(LC 43)

FORCES. (lb) - Max. Comp./Max. Ten. - All forces 250 (lb) or less except when shown.

TOP CHORD A-D=-2176/2175, A-B=-259/259
 BOT CHORD C-D=-259/259
 WEBS A-C=-2181/2181

NOTES-

- 1) Wind: ASCE 7-16; Vult=115mph (3-second gust) Vasd=91mph; TCDL=4.2psf; BCDL=5.0psf; h=30ft; Ke=1.00; Cat. II; Exp B; Enclosed; MWFRS (envelope) gable end zone; Lumber DOL=1.33 plate grip DOL=1.33
- 2) TCLL: ASCE 7-16; Pf=25.0 psf (Lum DOL=1.15 Plate DOL=1.15); Is=1.0; Rough Cat B; Partially Exp.; Ce=1.0; Cs=1.00; Ct=1.10
- 3) Provide adequate drainage to prevent water ponding.
- 4) Gable requires continuous bottom chord bearing.
- 5) This truss has been designed for a 10.0 psf bottom chord live load nonconcurrent with any other live loads.
- 6) * This truss has been designed for a live load of 20.0psf on the bottom chord in all areas where a rectangle 3-6-0 tall by 2-0-0 wide will fit between the bottom chord and any other members.
- 7) Provide mechanical connection (by others) of truss to bearing plate capable of withstanding 100 lb uplift at joint(s) except (jt=lb) D=2169, C=2169.
- 8) This truss is designed in accordance with the 2018 International Building Code section 2306.1 and referenced standard ANSI/TPI 1.
- 9) This truss has been designed for a total drag load of 240 plf. Lumber DOL=(1.33) Plate grip DOL=(1.33) Connect truss to resist drag loads along bottom chord from 0-0-0 to 1-5-14 for 240.0 plf.



September 12, 2024

WARNING - Verify design parameters and READ NOTES ON THIS AND INCLUDED MITEK REFERENCE PAGE MII-7473 rev. 6/30/2020 BEFORE USE.

Design valid for use only with MiTek® connectors. This design is based only upon parameters shown, and is for an individual building component, not a truss system. Before use, the building designer must verify the applicability of design parameters and properly incorporate this design into the overall building design. Bracing indicated is to prevent buckling of individual truss web and/or chord members only. Additional temporary and permanent bracing is always required for stability and to prevent collapse with possible personal injury and property damage. For general guidance regarding the fabrication, storage, delivery, erection and bracing of trusses and truss systems, see

Safety Information available from Truss Plate Institute, 2670 Crain Highway, Suite 203 Waldorf, MD 20601

ANSI/TPI1 Quality Criteria, DSB-89 and BCSI Building Component



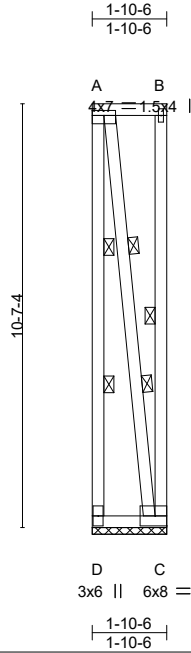
240 Stirling Crescent
 Bradford, ON. L3Z 4L5

Job	Truss	Truss Type	Qty	Ply	Buildings A-H	U1530800
N0653A	S12	BLOCKING SUPPORTED	232	1		

Alliance Truss (CA), Abbotsford, BC - V2S 7P6,

8.630 s Jul 12 2024 MiTek Industries, Inc. Thu Sep 12 02:47:43 2024 Page 1

ID:hFyjDMxrTsEK_kgkR0vWWVzFgC-RfC?PsB70Hq3NSgPqnL8w3ulTXbGKWrCDoi7J4zJC?f



Scale = 1:57.7

PRMU20240282 BLDG E

Plate Offsets (X,Y)-- [A:Edge,0-1-8]

LOADING (psf)	SPACING-	CSI.	DEFL.	in (loc)	l/defl	L/d	PLATES	GRIP
TCLL 25.0 (Roof Snow=25.0)	2-0-0 Plate Grip DOL 1.15 Lumber DOL 1.15	TC 0.93 BC 0.07 WB 0.94 Matrix-P	Vert(LL) Vert(CT) Horz(CT)	n/a n/a 0.00	- - C	n/a n/a n/a	999 999	MT20 197/144
TCDL 12.0	Rep Stress Incr YES Code IBC2018/TPI2014							
BCLL 0.0 *								
BCDL 10.0							Weight: 39 lb	FT = 20%

LUMBER-

TOP CHORD 2x4 SPF No.2
BOT CHORD 2x4 SPF No.2
WEBS 2x4 SPF No.2

BRACING-

TOP CHORD Structural wood sheathing directly applied or 1-10-6 oc purlins, except end verticals.
BOT CHORD Rigid ceiling directly applied or 6-0-0 oc bracing.
WEBS 1 Row at midpt B-C
2 Rows at 1/3 pts A-D, A-C

REACTIONS.

(size) D=1-10-6, C=1-10-6
Max Uplift D=-2485(LC 23), C=-2485(LC 24)
Max Grav D=2510(LC 44), C=2510(LC 43)

FORCES. (lb) - Max. Comp./Max. Ten. - All forces 250 (lb) or less except when shown.

TOP CHORD A-D=-2494/2493, A-B=-340/340
BOT CHORD C-D=-340/340
WEBS A-C=-2504/2504

NOTES-

- 1) Wind: ASCE 7-16; Vult=115mph (3-second gust) Vasd=91mph; TCDL=4.2psf; BCDL=5.0psf; h=30ft; Ke=1.00; Cat. II; Exp B; Enclosed; MWFRS (envelope) gable end zone; Lumber DOL=1.33 plate grip DOL=1.33
- 2) TCLL: ASCE 7-16; Pf=25.0 psf (Lum DOL=1.15 Plate DOL=1.15); Is=1.0; Rough Cat B; Partially Exp.; Ce=1.0; Cs=1.00; Ct=1.10
- 3) Provide adequate drainage to prevent water ponding.
- 4) Gable requires continuous bottom chord bearing.
- 5) This truss has been designed for a 10.0 psf bottom chord live load nonconcurrent with any other live loads.
- 6) * This truss has been designed for a live load of 20.0psf on the bottom chord in all areas where a rectangle 3-6-0 tall by 2-0-0 wide will fit between the bottom chord and any other members.
- 7) Provide mechanical connection (by others) of truss to bearing plate capable of withstanding 100 lb uplift at joint(s) except (jt=lb) D=2485, C=2485.
- 8) This truss is designed in accordance with the 2018 International Building Code section 2306.1 and referenced standard ANSI/TPI 1.
- 9) This truss has been designed for a total drag load of 240 plf. Lumber DOL=(1.33) Plate grip DOL=(1.33) Connect truss to resist drag loads along bottom chord from 0-0-0 to 1-10-6 for 240.0 plf.



September 12, 2024

WARNING - Verify design parameters and READ NOTES ON THIS AND INCLUDED MITEK REFERENCE PAGE MII-7473 rev. 6/30/2020 BEFORE USE.

Design valid for use only with MiTek® connectors. This design is based only upon parameters shown, and is for an individual building component, not a truss system. Before use, the building designer must verify the applicability of design parameters and properly incorporate this design into the overall building design. Bracing indicated is to prevent buckling of individual truss web and/or chord members only. Additional temporary and permanent bracing is always required for stability and to prevent collapse with possible personal injury and property damage. For general guidance regarding the fabrication, storage, delivery, erection and bracing of trusses and truss systems, see

Safety Information available from Truss Plate Institute, 2670 Crain Highway, Suite 203 Waldorf, MD 20601

ANSI/TPI1 Quality Criteria, DSB-89 and BCSI Building Component



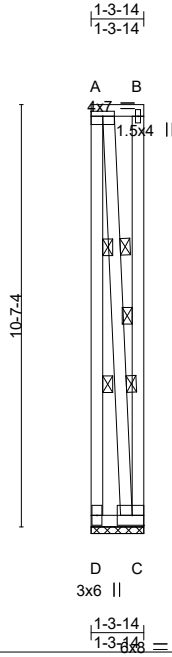
240 Stirling Crescent
Bradford, ON. L3Z 4L5

Job	Truss	Truss Type	Qty	Ply	Buildings A-H	U1530801
N0653A	S13	BLOCKING SUPPORTED	6	1		

Alliance Truss (CA), Abbotsford, BC - V2S 7P6,

8.630 s Jul 12 2024 MiTek Industries, Inc. Thu Sep 12 02:47:44 2024 Page 1

ID:hFyjDMxrTsEK_kgkR0vWWVzFgC-RfC?PsB70Hq3NSgPqnL8w3ulTXbGKWrCDoi7J4zJC?f



Scale = 1:57.9

PRMU20240282 BLDG E

Plate Offsets (X,Y)-- [A:Edge,0-1-8]

LOADING (psf)	SPACING-	CSI.	DEFL.	in (loc)	l/defl	L/d	PLATES	GRIP
TCLL 25.0 (Roof Snow=25.0)	2-0-0 Plate Grip DOL 1.15 Lumber DOL 1.15	TC 0.92 BC 0.04 WB 0.93 Matrix-P	Vert(LL) Vert(CT) Horz(CT)	n/a n/a 0.00	- - C	n/a n/a n/a	999 999	MT20 197/144
TCDL 12.0	Rep Stress Incr YES Code IBC2018/TPI2014							
BCLL 0.0 *								
BCDL 10.0							Weight: 37 lb	FT = 20%

LUMBER-

TOP CHORD 2x4 SPF No.2
BOT CHORD 2x4 SPF No.2
WEBS 2x4 SPF No.2

BRACING-

TOP CHORD Structural wood sheathing directly applied or 1-3-14 oc purlins, except end verticals.
BOT CHORD Rigid ceiling directly applied or 6-0-0 oc bracing.
WEBS 1 Row at midpt B-C
2 Rows at 1/3 pts A-D, A-C

REACTIONS.

(size) D=1-3-14, C=1-3-14
Max Uplift D=-2482(LC 23), C=-2482(LC 24)
Max Grav D=2498(LC 44), C=2498(LC 43)

FORCES. (lb) - Max. Comp./Max. Ten. - All forces 250 (lb) or less except when shown.

TOP CHORD A-D=-2488/2487
WEBS A-C=-2488/2488

NOTES-

- 1) Wind: ASCE 7-16; Vult=115mph (3-second gust) Vasd=91mph; TCDL=4.2psf; BCDL=5.0psf; h=30ft; Ke=1.00; Cat. II; Exp B; Enclosed; MWFRS (envelope) gable end zone; Lumber DOL=1.33 plate grip DOL=1.33
- 2) Truss designed for wind loads in the plane of the truss only. For studs exposed to wind (normal to the face), see Standard Industry Gable End Details as applicable, or consult qualified building designer as per ANSI/TPI 1.
- 3) TCLL: ASCE 7-16; Pf=25.0 psf (Lum DOL=1.15 Plate DOL=1.15); Is=1.0; Rough Cat B; Partially Exp.; Ce=1.0; Cs=1.00; Ct=1.10
- 4) Provide adequate drainage to prevent water ponding.
- 5) Gable requires continuous bottom chord bearing.
- 6) Truss to be fully sheathed from one face or securely braced against lateral movement (i.e. diagonal web).
- 7) Gable studs spaced at 2-0-0 oc.
- 8) This truss has been designed for a 10.0 psf bottom chord live load nonconcurrent with any other live loads.
- 9) * This truss has been designed for a live load of 20.0psf on the bottom chord in all areas where a rectangle 3-6-0 tall by 2-0-0 wide will fit between the bottom chord and any other members.
- 10) Provide mechanical connection (by others) of truss to bearing plate capable of withstanding 100 lb uplift at joint(s) except (jt=lb) D=2482, C=2482.
- 11) This truss is designed in accordance with the 2018 International Building Code section 2306.1 and referenced standard ANSI/TPI 1.
- 12) This truss has been designed for a total drag load of 240 pif. Lumber DOL=(1.33) Plate grip DOL=(1.33) Connect truss to resist drag loads along bottom chord from 0-0-0 to 1-3-14 for 240.0 pif.



September 12, 2024

WARNING - Verify design parameters and READ NOTES ON THIS AND INCLUDED MITEK REFERENCE PAGE MII-7473 rev. 6/30/2020 BEFORE USE.

Design valid for use only with MiTek® connectors. This design is based only upon parameters shown, and is for an individual building component, not a truss system. Before use, the building designer must verify the applicability of design parameters and properly incorporate this design into the overall building design. Bracing indicated is to prevent buckling of individual truss web and/or chord members only. Additional temporary and permanent bracing is always required for stability and to prevent collapse with possible personal injury and property damage. For general guidance regarding the fabrication, storage, delivery, erection and bracing of trusses and truss systems, see

Safety Information available from Truss Plate Institute, 2670 Crain Highway, Suite 203 Waldorf, MD 20601
ANSI/TPI1 Quality Criteria, DSB-89 and BCSI Building Component



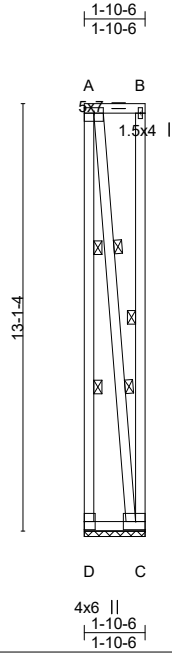
240 Stirling Crescent
Bradford, ON. L3Z 4L5

Job	Truss	Truss Type	Qty	Ply	Buildings A-H	U1530802
N0653A	S14	BLOCKING SUPPORTED	36	1	Job Reference (optional)	

Alliance Truss (CA), Abbotsford, BC - V2S 7P6,

8.630 s Jul 12 2024 MiTek Industries, Inc. Thu Sep 12 02:47:45 2024 Page 1

ID:hFyjDMxrTsEK_kgkR0vWWVzFgC-RfC?PsB70Hq3NSgPqnL8w3ulTXbGKWrCDoi7J4zJC?f



Scale = 1:70.6

PRMU20240282 BLDG E

Plate Offsets (X,Y)-- [A:Edge,0-2-0] 6x8 =

LOADING (psf)	SPACING-	CSI.	DEFL.	in (loc)	l/defl	L/d	PLATES	GRIP
TCLL 25.0 (Roof Snow=25.0)	2-0-0 Plate Grip DOL 1.15 Lumber DOL 1.15	TC 0.99 BC 0.07 WB 1.00 Matrix-P	Vert(LL) Vert(CT) Horz(CT)	n/a n/a 0.00	- - C	n/a n/a n/a	MT20	197/144
TCDL 12.0	Rep Stress Incr YES Code IBC2018/TPI2014						Weight: 47 lb	FT = 20%
BCLL 0.0 *								
BCDL 10.0								

LUMBER-	BRACING-
TOP CHORD 2x4 SPF No.2	TOP CHORD Structural wood sheathing directly applied or 1-10-6 oc purlins, except end verticals.
BOT CHORD 2x4 SPF No.2	BOT CHORD Rigid ceiling directly applied or 6-0-0 oc bracing.
WEBS 2x4 SPF 2100F 1.8E	WEBS 1 Row at midpt B-C 2 Rows at 1/3 pts A-D, A-C

REACTIONS. (size) D=1-10-6, C=1-10-6
 Max Uplift D=-3085(LC 23), C=-3085(LC 24)
 Max Grav D=3110(LC 44), C=3110(LC 43)

FORCES. (lb) - Max. Comp./Max. Ten. - All forces 250 (lb) or less except when shown.
 TOP CHORD A-D=-3094/3093, A-B=-340/340
 BOT CHORD C-D=-340/340
 WEBS A-C=-3099/3099

- NOTES-**
- 1) Wind: ASCE 7-16; Vult=115mph (3-second gust) Vasd=91mph; TCDL=4.2psf; BCDL=5.0psf; h=30ft; Ke=1.00; Cat. II; Exp B; Enclosed; MWFRS (envelope) gable end zone; Lumber DOL=1.33 plate grip DOL=1.33
 - 2) TCLL: ASCE 7-16; Pf=25.0 psf (Lum DOL=1.15 Plate DOL=1.15); Is=1.0; Rough Cat B; Partially Exp.; Ce=1.0; Cs=1.00; Ct=1.10
 - 3) Provide adequate drainage to prevent water ponding.
 - 4) Gable requires continuous bottom chord bearing.
 - 5) This truss has been designed for a 10.0 psf bottom chord live load nonconcurrent with any other live loads.
 - 6) * This truss has been designed for a live load of 20.0psf on the bottom chord in all areas where a rectangle 3-6-0 tall by 2-0-0 wide will fit between the bottom chord and any other members.
 - 7) Provide mechanical connection (by others) of truss to bearing plate capable of withstanding 100 lb uplift at joint(s) except (jt=lb) D=3085, C=3085.
 - 8) This truss is designed in accordance with the 2018 International Building Code section 2306.1 and referenced standard ANSI/TPI 1.
 - 9) This truss has been designed for a total drag load of 240 plf. Lumber DOL=(1.33) Plate grip DOL=(1.33) Connect truss to resist drag loads along bottom chord from 0-0-0 to 1-10-6 for 240.0 plf.



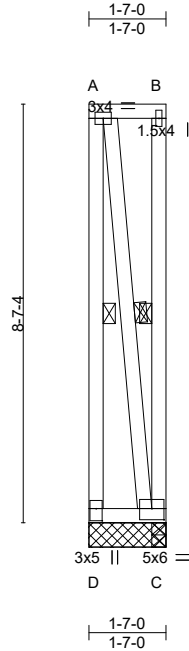
September 12, 2024

Job	Truss	Truss Type	Qty	Ply	Buildings A-H	U1530866
N0653A	S15	BLOCKING STRUCTURAL	2	1		

Alliance Truss (CA), Abbotsford, BC - V2S 7P6,

8.820 s Aug 30 2024 MiTek Industries, Inc. Thu Sep 12 02:48:18 2024 Page 1

ID:hFyjDMxrTsEK_kgkR0vWWWzFgic-o0tVQwCmAcKnUamulPB1UdWbGhKphrQJ2XIRkByeVqx



Scale = 1:47.4

Plate Offsets (X,Y)-- [C:0-3-0,0-2-12], [D:0-3-0,0-1-8]

LOADING (psf)	SPACING-	CSI.	DEFL.	in (loc)	l/defl	L/d	PLATES	GRIP
TCLL 25.0 (Roof Snow=25.0)	2-0-0 Plate Grip DOL 1.15 Lumber DOL 1.15	TC 0.54 BC 0.03 WB 0.19 Matrix-P	Vert(LL) -0.00 Vert(CT) -0.00 Horz(CT) 0.00 Wind(LL) 0.00	D	>999	360	MT20	197/144
TCDL 12.0	Rep Stress Incr NO Code IBC2018/TPI2014			D	>999	240		
BCLL 0.0 *				C	n/a	n/a		
BCDL 10.0				D	****	240	Weight: 31 lb	FT = 20%

LUMBER-

TOP CHORD 2x4 SPF No.2
BOT CHORD 2x4 SPF No.2
WEBS 2x4 SPF No.2

BRACING-

TOP CHORD Structural wood sheathing directly applied or 1-7-0 oc purlins, except end verticals.
BOT CHORD Rigid ceiling directly applied or 10-0-0 oc bracing.
WEBS 1 Row at midpt A-D, B-C, A-C

REACTIONS.

(size) D=1-7-0, C=1-7-0, C=1-7-0
Max Horz D=-175(LC 6)
Max Uplift D=-548(LC 6), C=-435(LC 5)
Max Grav D=419(LC 5), C=577(LC 6), C=61(LC 1)

FORCES. (lb) - Max. Comp./Max. Ten. - All forces 250 (lb) or less except when shown.

TOP CHORD A-D=-413/561
WEBS A-C=-570/432

NOTES-

- 1) Wind: ASCE 7-16; Vult=115mph (3-second gust) Vasd=91mph; TCDL=4.2psf; BCDL=5.0psf; h=30ft; Ke=1.00; Cat. II; Exp B; Enclosed; MWFRS (envelope) gable end zone; cantilever left exposed; end vertical left exposed; Lumber DOL=1.33 plate grip DOL=1.33
- 2) Truss designed for wind loads in the plane of the truss only. For studs exposed to wind (normal to the face), see Standard Industry Gable End Details as applicable, or consult qualified building designer as per ANSI/TPI 1.
- 3) TCLL: ASCE 7-16; Pf=25.0 psf (Lum DOL = 1.15 Plate DOL = 1.15); Is=1.0; Rough Cat B; Partially Exp.; Ce=1.0; Cs=1.00; Ct=1.10
- 4) Provide adequate drainage to prevent water ponding.
- 5) Gable studs spaced at 2-0-0 oc.
- 6) This truss has been designed for a 10.0 psf bottom chord live load nonconcurrent with any other live loads.
- 7) * This truss has been designed for a live load of 20.0psf on the bottom chord in all areas where a rectangle 3-6-0 tall by 2-0-0 wide will fit between the bottom chord and any other members.
- 8) Provide mechanical connection (by others) of truss to bearing plate capable of withstanding 100 lb uplift at joint(s) except (jt=lb) D=548, C=435.
- 9) This truss is designed in accordance with the 2018 International Building Code section 2306.1 and referenced standard ANSI/TPI 1.

PRMU20240282 BLDG E



September 12, 2024

WARNING - Verify design parameters and READ NOTES ON THIS AND INCLUDED MITEK REFERENCE PAGE MII-7473 rev. 6/30/2020 BEFORE USE.

Design valid for use only with MiTek® connectors. This design is based only upon parameters shown, and is for an individual building component, not a truss system. Before use, the building designer must verify the applicability of design parameters and properly incorporate this design into the overall building design. Bracing indicated is to prevent buckling of individual truss web and/or chord members only. Additional temporary and permanent bracing is always required for stability and to prevent collapse with possible personal injury and property damage. For general guidance regarding the fabrication, storage, delivery, erection and bracing of trusses and truss systems, see

Safety Information available from Truss Plate Institute, 2670 Crain Highway, Suite 203 Waldorf, MD 20601

ANSI/TPI1 Quality Criteria, DSB-89 and BCSI Building Component



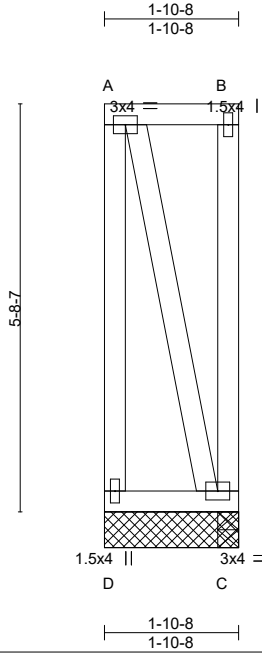
240 Stirling Crescent
Bradford, ON. L3Z 4L5

Job	Truss	Truss Type	Qty	Ply	Buildings A-H	U1530867
N0653A	S16	BLOCKING STRUCTURAL	9	1		

Alliance Truss (CA), Abbotsford, BC - V2S 7P6,

8.820 s Aug 30 2024 MiTek Industries, Inc. Thu Sep 12 02:48:18 2024 Page 1

ID:hFyjDMxrTsEK_kgkR0vWWVzFlgc-o0TVQwCmAcKnUamuIPB1UdWj0hKrhMJ2XIRkByeVqx



Scale: 3/8"=1'

LOADING (psf)	SPACING-	CSI.	DEFL.	in (loc)	l/defl	L/d	PLATES	GRIP
TCLL 25.0	2-0-0	TC 0.05	Vert(LL)	-0.00 D	>999	360	MT20	197/144
(Roof Snow=25.0)	Plate Grip DOL 1.15	BC 0.02	Vert(CT)	-0.00 D	>999	240		
TCDL 12.0	Lumber DOL 1.15	WB 0.00	Horz(CT)	0.00 C	n/a	n/a		
BCLL 0.0 *	Rep Stress Incr NO	Matrix-P	Wind(LL)	0.00 D	****	240		
BCDL 10.0	Code IBC2018/TPI2014						Weight: 22 lb	FT = 20%

LUMBER-
TOP CHORD 2x4 SPF No.2
BOT CHORD 2x4 SPF No.2
WEBS 2x4 SPF No.2

BRACING-
TOP CHORD Structural wood sheathing directly applied or 1-10-8 oc purlins, except end verticals.
BOT CHORD Rigid ceiling directly applied or 10-0-0 oc bracing.

REACTIONS. (size) D=1-10-8, C=1-10-8, C=1-10-8
Max Uplift D=-9(LC 4), C=-9(LC 4)
Max Grav D=74(LC 1), C=74(LC 1), C=74(LC 1)

PRMU20240282 BLDG E

FORCES. (lb) - Max. Comp./Max. Ten. - All forces 250 (lb) or less except when shown.

NOTES-

- 1) Wind: ASCE 7-16; Vult=115mph (3-second gust) Vasd=91mph; TCDL=4.2psf; BCDL=5.0psf; h=30ft; Ke=1.00; Cat. II; Exp B; Enclosed; MWFRS (envelope) gable end zone; Lumber DOL=1.33 plate grip DOL=1.33
- 2) Truss designed for wind loads in the plane of the truss only. For studs exposed to wind (normal to the face), see Standard Industry Gable End Details as applicable, or consult qualified building designer as per ANSI/TPI 1.
- 3) TCLL: ASCE 7-16; Pf=25.0 psf (Lum DOL = 1.15 Plate DOL = 1.15); Is=1.0; Rough Cat B; Partially Exp.; Ce=1.0; Cs=1.00; Ct=1.10
- 4) Provide adequate drainage to prevent water ponding.
- 5) Gable studs spaced at 2-0-0 oc.
- 6) This truss has been designed for a 10.0 psf bottom chord live load nonconcurrent with any other live loads.
- 7) * This truss has been designed for a live load of 20.0psf on the bottom chord in all areas where a rectangle 3-6-0 tall by 2-0-0 wide will fit between the bottom chord and any other members.
- 8) Provide mechanical connection (by others) of truss to bearing plate capable of withstanding 100 lb uplift at joint(s) D, C.
- 9) This truss is designed in accordance with the 2018 International Building Code section 2306.1 and referenced standard ANSI/TPI 1.



September 12, 2024

WARNING - Verify design parameters and READ NOTES ON THIS AND INCLUDED MITEK REFERENCE PAGE MII-7473 rev. 6/30/2020 BEFORE USE.

Design valid for use only with MiTek® connectors. This design is based only upon parameters shown, and is for an individual building component, not a truss system. Before use, the building designer must verify the applicability of design parameters and properly incorporate this design into the overall building design. Bracing indicated is to prevent buckling of individual truss web and/or chord members only. Additional temporary and permanent bracing is always required for stability and to prevent collapse with possible personal injury and property damage. For general guidance regarding the fabrication, storage, delivery, erection and bracing of trusses and truss systems, see

ANSI/TPI1 Quality Criteria, DSB-89 and BCSI Building Component

Safety Information available from Truss Plate Institute, 2670 Crain Highway, Suite 203 Waldorf, MD 20601



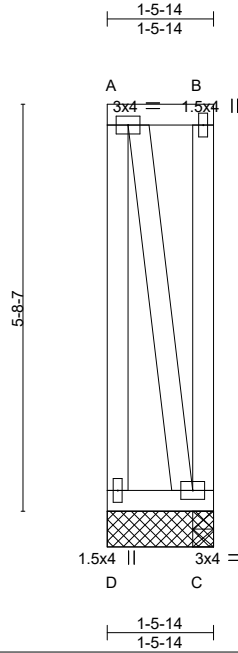
240 Stirling Crescent
Bradford, ON. L3Z 4L5

Job	Truss	Truss Type	Qty	Ply	Buildings A-H	U1530868
N0653A	S17	BLOCKING STRUCTURAL	2	1		

Alliance Truss (CA), Abbotsford, BC - V2S 7P6,

8.820 s Aug 30 2024 MiTek Industries, Inc. Thu Sep 12 02:48:19 2024 Page 1

ID:hFyjDMxrTsEK_kgkR0vWWVzFfgc-GCQteGDOxwTe6kL4s7iG0q2u55fEQKcSGBU?HeyeVqw



Scale: 3/8"=1'

LOADING (psf)	SPACING-	CSI.	DEFL.	in (loc)	l/defl	L/d	PLATES	GRIP
TCLL 25.0	2-0-0	TC 0.03	Vert(LL)	-0.00	D	>999	MT20	197/144
(Roof Snow=25.0)	Plate Grip DOL 1.15	BC 0.01	Vert(CT)	-0.00	D	>999		
TCDL 12.0	Lumber DOL 1.15	WB 0.00	Horz(CT)	-0.00	C	n/a		
BCLL 0.0 *	Rep Stress Incr NO	Matrix-P	Wind(LL)	0.00	D	****		
BCDL 10.0	Code IBC2018/TPI2014						Weight: 21 lb	FT = 20%

LUMBER-

TOP CHORD 2x4 SPF No.2
 BOT CHORD 2x4 SPF No.2
 WEBS 2x4 SPF No.2

BRACING-

TOP CHORD Structural wood sheathing directly applied or 1-5-14 oc purlins, except end verticals.
 BOT CHORD Rigid ceiling directly applied or 10-0-0 oc bracing.

REACTIONS.

(size) D=1-5-14, C=1-5-14, C=1-5-14
 Max Uplift D=-7(LC 4), C=-7(LC 4)
 Max Grav D=56(LC 1), C=56(LC 1), C=56(LC 1)

FORCES. (lb) - Max. Comp./Max. Ten. - All forces 250 (lb) or less except when shown.

PRMU20240282 BLDG E

NOTES-

- 1) Wind: ASCE 7-16; Vult=115mph (3-second gust) Vasd=91mph; TCDL=4.2psf; BCDL=5.0psf; h=30ft; Ke=1.00; Cat. II; Exp B; Enclosed; MWFRS (envelope) gable end zone; Lumber DOL=1.33 plate grip DOL=1.33
- 2) Truss designed for wind loads in the plane of the truss only. For studs exposed to wind (normal to the face), see Standard Industry Gable End Details as applicable, or consult qualified building designer as per ANSI/TPI 1.
- 3) TCLL: ASCE 7-16; Pf=25.0 psf (Lum DOL = 1.15 Plate DOL = 1.15); Is=1.0; Rough Cat B; Partially Exp.; Ce=1.0; Cs=1.00; Ct=1.10
- 4) Provide adequate drainage to prevent water ponding.
- 5) Gable studs spaced at 2-0-0 oc.
- 6) This truss has been designed for a 10.0 psf bottom chord live load nonconcurrent with any other live loads.
- 7) * This truss has been designed for a live load of 20.0psf on the bottom chord in all areas where a rectangle 3-6-0 tall by 2-0-0 wide will fit between the bottom chord and any other members.
- 8) Provide mechanical connection (by others) of truss to bearing plate capable of withstanding 100 lb uplift at joint(s) D, C.
- 9) This truss is designed in accordance with the 2018 International Building Code section 2306.1 and referenced standard ANSI/TPI 1.



September 12, 2024

WARNING - Verify design parameters and READ NOTES ON THIS AND INCLUDED MITEK REFERENCE PAGE MII-7473 rev. 6/30/2020 BEFORE USE.

Design valid for use only with MiTek® connectors. This design is based only upon parameters shown, and is for an individual building component, not a truss system. Before use, the building designer must verify the applicability of design parameters and properly incorporate this design into the overall building design. Bracing indicated is to prevent buckling of individual truss web and/or chord members only. Additional temporary and permanent bracing is always required for stability and to prevent collapse with possible personal injury and property damage. For general guidance regarding the fabrication, storage, delivery, erection and bracing of trusses and truss systems, see

ANSI/TPI1 Quality Criteria, DSB-89 and BCSI Building Component

Safety Information available from Truss Plate Institute, 2670 Crain Highway, Suite 203 Waldorf, MD 20601



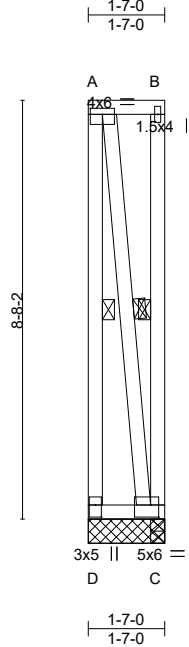
240 Stirling Crescent
 Bradford, ON. L3Z 4L5

Job	Truss	Truss Type	Qty	Ply	Buildings A-H	U1530869
N0653A	S18	BLOCKING STRUCTURAL	1	1		

Alliance Truss (CA), Abbotsford, BC - V2S 7P6,

8.820 s Aug 30 2024 MiTek Industries, Inc. Thu Sep 12 02:48:19 2024 Page 1

ID:hFyjDMxrTsEK_kgkR0vWVvzFfgc-GCQteGDOxwTe6kL4s7IG0q2kw5fUQAWSGBU?HeyeVqw



Scale: 1/4"=1'

Plate Offsets (X,Y)-- [A:0-3-0,0-1-8], [C:0-2-0,0-3-0], [D:0-3-0,0-1-8]

LOADING (psf)	SPACING-	CSI.	DEFL.	in (loc)	l/defl	L/d	PLATES	GRIP
TCLL 25.0 (Roof Snow=25.0)	2-0-0 Plate Grip DOL 1.15 Lumber DOL 1.15	TC 0.68 BC 0.06 WB 0.68 Matrix-P	Vert(LL) -0.00 Vert(CT) -0.00 Horz(CT) 0.00 Wind(LL) 0.00	D	>999	360	MT20	197/144
TCDL 12.0	Rep Stress Incr NO Code IBC2018/TPI2014			D	>999	240		
BCLL 0.0 *				C	n/a	n/a		
BCDL 10.0				D	****	240	Weight: 31 lb	FT = 20%

LUMBER-

TOP CHORD 2x4 SPF No.2
BOT CHORD 2x4 SPF No.2
WEBS 2x4 SPF No.2

BRACING-

TOP CHORD Structural wood sheathing directly applied or 1-7-0 oc purlins, except end verticals.
BOT CHORD Rigid ceiling directly applied or 6-0-0 oc bracing.
WEBS 1 Row at midpt A-D, B-C, A-C

REACTIONS.

(size) D=1-7-0, C=1-7-0, C=1-7-0
Max Uplift D=-2020(LC 23), C=-2020(LC 24)
Max Grav D=2041(LC 44), C=2041(LC 43), C=61(LC 1)

FORCES. (lb) - Max. Comp./Max. Ten. - All forces 250 (lb) or less except when shown.

TOP CHORD A-D=-2028/2026, A-B=-279/279
BOT CHORD C-D=-279/279
WEBS A-C=-2036/2036

PRMU20240282 BLDG E

NOTES-

- 1) Wind: ASCE 7-16; Vult=115mph (3-second gust) Vasd=91mph; TCDL=4.2psf; BCDL=5.0psf; h=30ft; Ke=1.00; Cat. II; Exp B; Enclosed; MWFRS (envelope) gable end zone; Lumber DOL=1.33 plate grip DOL=1.33
- 2) Truss designed for wind loads in the plane of the truss only. For studs exposed to wind (normal to the face), see Standard Industry Gable End Details as applicable, or consult qualified building designer as per ANSI/TPI 1.
- 3) TCLL: ASCE 7-16; Pf=25.0 psf (Lum DOL = 1.15 Plate DOL = 1.15); Is=1.0; Rough Cat B; Partially Exp.; Ce=1.0; Cs=1.00; Ct=1.10
- 4) Provide adequate drainage to prevent water ponding.
- 5) Gable studs spaced at 2-0-0 oc.
- 6) This truss has been designed for a 10.0 psf bottom chord live load nonconcurrent with any other live loads.
- 7) * This truss has been designed for a live load of 20.0psf on the bottom chord in all areas where a rectangle 3-6-0 tall by 2-0-0 wide will fit between the bottom chord and any other members.
- 8) Provide mechanical connection (by others) of truss to bearing plate capable of withstanding 100 lb uplift at joint(s) except (jt=lb) D=2020, C=2020.
- 9) This truss is designed in accordance with the 2018 International Building Code section 2306.1 and referenced standard ANSI/TPI 1.
- 10) This truss has been designed for a total drag load of 240 plf. Lumber DOL=(1.33) Plate grip DOL=(1.33) Connect truss to resist drag loads along bottom chord from 0-0-0 to 1-7-0 for 240.1 plf.



September 12, 2024

WARNING - Verify design parameters and READ NOTES ON THIS AND INCLUDED MITEK REFERENCE PAGE MII-7473 rev. 6/30/2020 BEFORE USE.

Design valid for use only with MiTek® connectors. This design is based only upon parameters shown, and is for an individual building component, not a truss system. Before use, the building designer must verify the applicability of design parameters and properly incorporate this design into the overall building design. Bracing indicated is to prevent buckling of individual truss web and/or chord members only. Additional temporary and permanent bracing is always required for stability and to prevent collapse with possible personal injury and property damage. For general guidance regarding the fabrication, storage, delivery, erection and bracing of trusses and truss systems, see

Safety Information available from Truss Plate Institute, 2670 Crain Highway, Suite 203 Waldorf, MD 20601



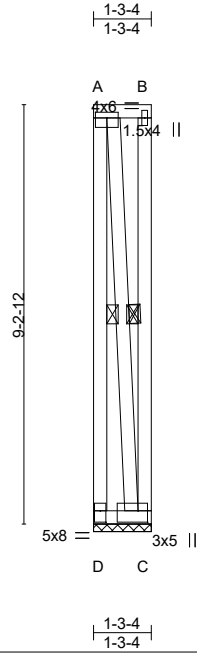
240 Stirling Crescent
Bradford, ON. L3Z 4L5

Job	Truss	Truss Type	Qty	Ply	Buildings A-H	U1530870
N0653A	S19	BLOCKING SUPPORTED	1	1		

Alliance Truss (CA), Abbotsford, BC - V2S 7P6,

8.820 s Aug 30 2024 MiTek Industries, Inc. Thu Sep 12 02:48:20 2024 Page 1

ID:hFyjDMxrTsEK_kgkR0vWWVzFfgc-kP_FrcE1iEbVkuvGQqDVZ2btaU?y9b9cVrEYp4yeVqv



Scale = 1:50.7

Plate Offsets (X,Y)-- [A:0-3-0,0-1-8], [C:0-2-8,0-3-0], [D:0-3-0,0-1-8]

LOADING (psf)	SPACING-	CSI.	DEFL.	in (loc)	l/defl	L/d	PLATES	GRIP
TCLL 25.0 (Roof Snow=25.0)	2-0-0 Plate Grip DOL 1.15 Lumber DOL 1.15	TC 0.81 BC 0.05 WB 0.81 Matrix-P	Vert(LL) Vert(CT) Horz(CT)	n/a n/a 0.00	- - C	n/a n/a n/a	MT20	197/144
TCDL 12.0	Rep Stress Incr NO Code IBC2018/TPI2014						Weight: 33 lb	FT = 20%
BCLL 0.0 *								
BCDL 10.0								

LUMBER-

TOP CHORD 2x4 SPF No.2
BOT CHORD 2x4 SPF No.2
WEBS 2x4 SPF No.2

BRACING-

TOP CHORD Structural wood sheathing directly applied or 1-3-4 oc purlins, except end verticals.
BOT CHORD Rigid ceiling directly applied or 6-0-0 oc bracing.
WEBS 1 Row at midpt A-D, B-C, A-C

REACTIONS.

(size) D=1-3-4, C=1-3-4
Max Uplift D=-2151(LC 23), C=-2151(LC 24)
Max Grav D=2167(LC 44), C=2167(LC 43)

FORCES. (lb) - Max. Comp./Max. Ten. - All forces 250 (lb) or less except when shown.

TOP CHORD A-D=-2157/2156
WEBS A-C=-2158/2158

PRMU20240282 BLDG E

NOTES-

- 1) Wind: ASCE 7-16; Vult=115mph (3-second gust) Vasd=91mph; TCDL=4.2psf; BCDL=5.0psf; h=30ft; Ke=1.00; Cat. II; Exp B; Enclosed; MWFRS (envelope) gable end zone; Lumber DOL=1.33 plate grip DOL=1.33
- 2) Truss designed for wind loads in the plane of the truss only. For studs exposed to wind (normal to the face), see Standard Industry Gable End Details as applicable, or consult qualified building designer as per ANSI/TPI 1.
- 3) TCLL: ASCE 7-16; Pf=25.0 psf (Lum DOL = 1.15 Plate DOL = 1.15); Is=1.0; Rough Cat B; Partially Exp.; Ce=1.0; Cs=1.00; Ct=1.10
- 4) Provide adequate drainage to prevent water ponding.
- 5) Gable requires continuous bottom chord bearing.
- 6) Truss to be fully sheathed from one face or securely braced against lateral movement (i.e. diagonal web).
- 7) Gable studs spaced at 2-0-0 oc.
- 8) This truss has been designed for a 10.0 psf bottom chord live load nonconcurrent with any other live loads.
- 9) * This truss has been designed for a live load of 20.0psf on the bottom chord in all areas where a rectangle 3-6-0 tall by 2-0-0 wide will fit between the bottom chord and any other members.
- 10) Provide mechanical connection (by others) of truss to bearing plate capable of withstanding 100 lb uplift at joint(s) except (jt=lb) D=2151, C=2151.
- 11) This truss is designed in accordance with the 2018 International Building Code section 2306.1 and referenced standard ANSI/TPI 1.
- 12) This truss has been designed for a total drag load of 240 plf. Lumber DOL=(1.33) Plate grip DOL=(1.33) Connect truss to resist drag loads along bottom chord from 0-0-0 to 1-3-4 for 240.0 plf.



September 12, 2024

WARNING - Verify design parameters and READ NOTES ON THIS AND INCLUDED MITEK REFERENCE PAGE MII-7473 rev. 6/30/2020 BEFORE USE.

Design valid for use only with MiTek® connectors. This design is based only upon parameters shown, and is for an individual building component, not a truss system. Before use, the building designer must verify the applicability of design parameters and properly incorporate this design into the overall building design. Bracing indicated is to prevent buckling of individual truss web and/or chord members only. Additional temporary and permanent bracing is always required for stability and to prevent collapse with possible personal injury and property damage. For general guidance regarding the fabrication, storage, delivery, erection and bracing of trusses and truss systems, see

ANSI/TPI1 Quality Criteria, DSB-89 and BCSI Building Component Safety Information available from Truss Plate Institute, 2670 Crain Highway, Suite 203 Waldorf, MD 20601



240 Stirling Crescent
Bradford, ON. L3Z 4L5

Job N0653A	Truss T1	Truss Type GABLE	Qty 9	Ply 1	Buildings A-H Job Reference (optional)	U1530871
---------------	-------------	---------------------	----------	----------	---	----------

Alliance Truss (CA), Abbotsford, BC - V2S 7P6, 8.820 s Aug 30 2024 MiTek Industries, Inc. Thu Sep 12 02:48:25 2024 Page 1

ID:hFyjDMxrTsEK_kgkR0vWWVzFlgc-4Mo8uJI9WmDnqfoECNphG5Ik9VW_qqelF7xJUHYeVqq

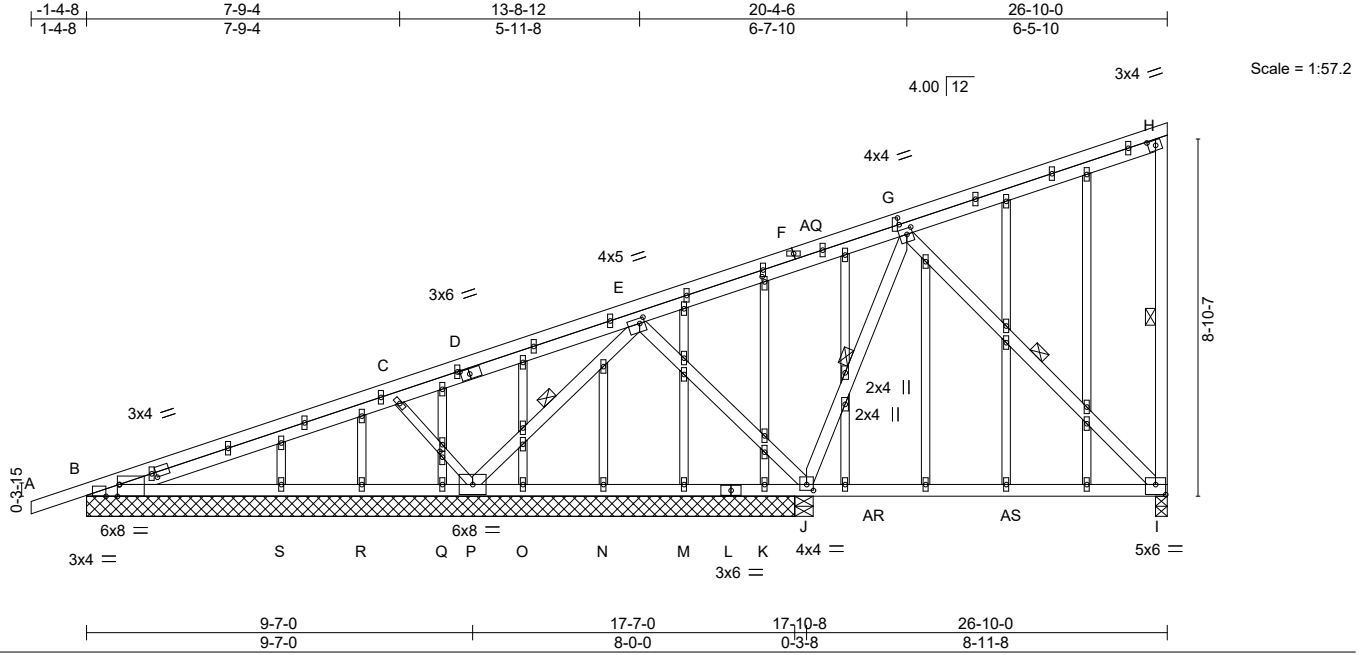


Plate Offsets (X,Y)-- [B:0-0-9,Edge], [B:0-11-7,0-1-8], [B:0-4-0,Edge], [D:0-2-10,0-1-8], [E:0-1-8,0-1-8], [G:0-2-0,0-0-8], [G:0-1-12,0-1-12], [H:0-2-4,0-1-8], [I:0-3-0,0-3-0], [J:0-2-0,0-1-12], [AF:0-1-9,0-0-12], [AM:0-1-12,0-0-12]

LOADING (psf)	SPACING-	CSI.	DEFL.	in (loc)	l/defl	L/d	PLATES	GRIP
TCLL 25.0 (Roof Snow=25.0)	2-0-0	TC 0.82	Vert(LL) -0.22	I-J	>478	360	MT20	197/144
TCDL 12.0	Lumber DOL 1.15	BC 0.89	Vert(CT) -0.37	I-J	>288	240		
BCLL 0.0 *	Rep Stress Incr YES	WB 0.93	Horz(CT) -0.02	N	n/a	n/a		
BCDL 10.0	Code IBC2018/TPI2014	Matrix-S	Wind(LL) -0.04	I-J	>999	240	Weight: 176 lb	FT = 20%

LUMBER-
TOP CHORD 2x4 SPF No.2
BOT CHORD 2x4 SPF No.2
WEBS 2x4 SPF No.2 *Except*
C-P: 2x3 SPF No.2
OTHERS 2x3 SPF No.2

BRACING-
TOP CHORD Structural wood sheathing directly applied or 3-4-15 oc purlins, except end verticals.
BOT CHORD Rigid ceiling directly applied or 3-6-7 oc bracing.
WEBS 1 Row at midpt H-I, E-P, G-J, G-I

REACTIONS. All bearings 17-7-0 except (jt=length) I=0-3-8, J=0-5-8.
(lb) - Max Horz B=434(LC 38)
Max Uplift All uplift 100 lb or less at joint(s) R except I=-871(LC 41), B=-806(LC 32), P=-2103(LC 40), J=-318(LC 32), K=-446(LC 19)
Max Grav All reactions 250 lb or less at joint(s) M, N, O, Q, R, S except I=1117(LC 28), B=921(LC 29), P=2141(LC 53), J=1434(LC 29)

FORCES. (lb) - Max. Comp./Max. Ten. - All forces 250 (lb) or less except when shown.
TOP CHORD B-C=-2718/2502, C-E=-1022/984, E-G=-2148/1999, G-H=-1764/1659, H-I=-301/52
BOT CHORD B-S=-2719/2495, R-S=-948/845, Q-R=-820/717, P-Q=-1096/992, O-P=-882/804,
N-O=-480/402, M-N=-1213/1134, K-M=-1945/1862, J-K=-2328/2249, I-J=-886/836
WEBS C-P=-559/200, E-P=-2729/2683, E-J=-1440/1477, G-J=-1516/1417, G-I=-1175/1213

- NOTES-**
- 1) Wind: ASCE 7-16; Vult=115mph (3-second gust) Vasd=91mph; TCDL=4.2psf; BCDL=5.0psf; h=30ft; Ke=1.00; Cat. II; Exp B; Enclosed; MWFRS (envelope) gable end zone; cantilever left and right exposed; end vertical left and right exposed; Lumber DOL=1.33 plate grip DOL=1.33
 - 2) Truss designed for wind loads in the plane of the truss only. For studs exposed to wind (normal to the face), see Standard Industry Gable End Details as applicable, or consult qualified building designer as per ANSI/TPI 1.
 - 3) TCLL: ASCE 7-16; Pf=25.0 psf (Lum DOL = 1.15 Plate DOL = 1.15); Is=1.0; Rough Cat B; Partially Exp.; Ce=1.0; Cs=1.00; Ct=1.10
 - 4) Unbalanced snow loads have been considered for this design.
 - 5) This truss has been designed for greater of min roof live load of 20.0 psf or 2.00 times flat roof load of 25.0 psf on overhangs non-concurrent with other live loads.
 - 6) All plates are 1.5x4 MT20 unless otherwise indicated.
 - 7) Gable studs spaced at 2-0-0 oc.
 - 8) This truss has been designed for a 10.0 psf bottom chord live load nonconcurrent with any other live loads.
 - 9) * This truss has been designed for a live load of 20.0psf on the bottom chord in all areas where a rectangle 3-6-0 tall by 2-0-0 wide will fit between the bottom chord and any other members, with BCDL = 10.0psf.
 - 10) Provide mechanical connection (by others) of truss to bearing plate capable of withstanding 100 lb uplift at joint(s) R except (jt=lb) I=871, B=806, P=2103, J=318, K=446.
 - 11) This truss is designed in accordance with the 2018 International Building Code section 2306.1 and referenced standard ANSI/TPI 1.
 - 12) This truss has been designed for a total drag load of 240 plf. Lumber DOL=(1.33) Plate grip DOL=(1.33) Connect truss to resist continuous loading on bottom chord from 0-0-0 to 17-7-0 for 366.3 plf.

PRMU20240282 BLDG E



September 12, 2024

WARNING - Verify design parameters and READ NOTES ON THIS AND INCLUDED MITEK REFERENCE PAGE MII-7473 rev. 6/30/2020 BEFORE USE.

Design valid for use only with MiTek® connectors. This design is based only upon parameters shown, and is for an individual building component, not a truss system. Before use, the building designer must verify the applicability of design parameters and properly incorporate this design into the overall building design. Bracing indicated is to prevent buckling of individual truss web and/or chord members only. Additional temporary and permanent bracing is always required for stability and to prevent collapse with possible personal injury and property damage. For general guidance regarding the fabrication, storage, delivery, erection and bracing of trusses and truss systems, see

Safety Information available from Truss Plate Institute, 2670 Crain Highway, Suite 203 Waldorf, MD 20601



240 Stirling Crescent
Bradford, ON. L3Z 4L5

Job	Truss	Truss Type	Qty	Ply	Buildings A-H	U1530871
N0653A	T1	GABLE	9	1	Job Reference (optional)	

Alliance Truss (CA), Abbotsford, BC - V2S 7P6,

8.820 s Aug 30 2024 MiTek Industries, Inc. Thu Sep 12 02:48:26 2024 Page 2
 ID:hFyjDMxrTsEK_kgkR0vWWVzFgc-ZZLW6fJnH4LeSpNQm5KwoJruvvrDZHUtnhs0kyeVqp

- NOTES-**
- 13) No notches allowed in overhang and 10408 from left end and 0 from right end or 12" along rake from scarf, whichever is larger. Minimum 1.5x4 tie plates required at 2-0-0 o.c. maximum between the stacking chords. For edge-wise notching, provide at least one tie plate between each notch.

PRMU20240282 BLDG E

Job N0653A	Truss T2	Truss Type Monopitch	Qty 45	Ply 1	Buildings A-H Job Reference (optional)	U1530872
---------------	-------------	-------------------------	-----------	----------	---	----------

Alliance Truss (CA), Abbotsford, BC - V2S 7P6,

8.820 s Aug 30 2024 MiTek Industries, Inc. Thu Sep 12 02:48:26 2024 Page 1

ID:hFyjDMxrTsEK_kgkR0vWWVzFgC-ZZLW6fJnH4LeSpNQm5KwoJrs6vq9ZITUtnhs0kyeVqp

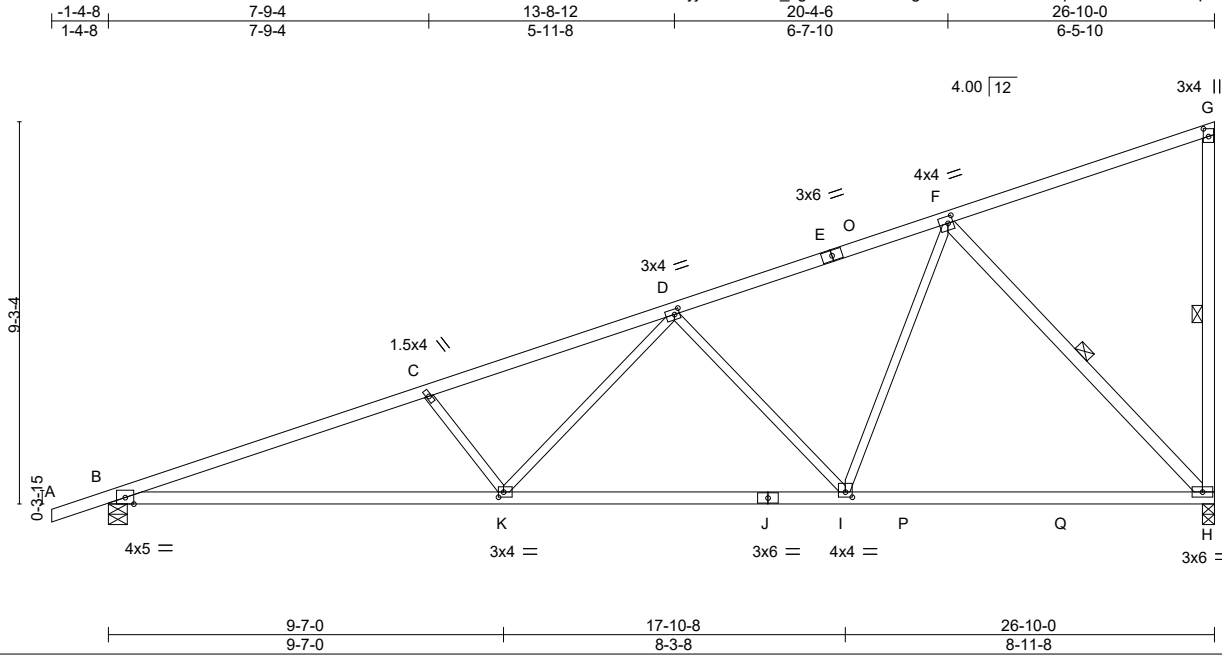


Plate Offsets (X,Y)-- [D:0-1-8,0-1-8], [F:0-1-8,0-2-0], [G:0-2-4,0-1-8], [I:0-2-0,0-1-8], [K:0-1-8,0-1-8]

LOADING (psf)	SPACING-	CSI.	DEFL.	PLATES	GRIP
TCLL 25.0 (Roof Snow=25.0)	2-0-0 Plate Grip DOL 1.15 Lumber DOL 1.15	TC 0.94 BC 0.95 WB 0.89 Matrix-MS	in (loc) l/defl L/d Vert(LL) -0.31 H-I >999 360 Vert(CT) -0.55 K-N >587 240 Horz(CT) 0.07 H n/a n/a Wind(LL) 0.13 K-N >999 240	MT20	197/144
TCDL 12.0	Rep Stress Incr YES Code IBC2018/TPI2014			Weight: 103 lb	FT = 20%
BCLL 0.0 *					
BCDL 10.0					

LUMBER-
TOP CHORD 2x4 SPF No.2
BOT CHORD 2x4 SPF No.2 *Except*
B-J: 2x4 SPF 2100F 1.8E
WEBS 2x3 SPF No.2 *Except*
G-H,F-H: 2x4 SPF No.2

BRACING-
TOP CHORD Structural wood sheathing directly applied, except end verticals.
BOT CHORD Rigid ceiling directly applied or 2-2-0 oc bracing.
WEBS 1 Row at midpt G-H, F-H

REACTIONS. (size) H=0-3-8, B=0-5-8
Max Horz B=301(LC 9)
Max Uplift H=-180(LC 10), B=-182(LC 6)
Max Grav H=1537(LC 3), B=1425(LC 3)

FORCES. (lb) - Max. Comp./Max. Ten. - All forces 250 (lb) or less except when shown.
TOP CHORD B-C=-3139/325, C-D=-2876/291, D-F=-1586/171, G-H=-296/51
BOT CHORD B-K=-394/2941, I-K=-249/2033, H-I=-112/1082
WEBS C-K=-534/165, D-K=-71/947, D-I=-914/199, F-I=-64/1078, F-H=-1568/234

PRMU20240282 BLDG E

- NOTES-**
- 1) Wind: ASCE 7-16; Vult=115mph (3-second gust) Vasd=91mph; TCDL=4.2psf; BCDL=5.0psf; h=30ft; Ke=1.00; Cat. II; Exp B; Enclosed; MWFRS (envelope) gable end zone; cantilever left and right exposed ; end vertical left and right exposed; Lumber DOL=1.33 plate grip DOL=1.33
 - 2) TCLL: ASCE 7-16; Pf=25.0 psf (Lum DOL = 1.15 Plate DOL = 1.15); Is=1.0; Rough Cat B; Partially Exp.; Ce=1.0; Cs=1.00; Ct=1.10
 - 3) Unbalanced snow loads have been considered for this design.
 - 4) This truss has been designed for greater of min roof live load of 20.0 psf or 2.00 times flat roof load of 25.0 psf on overhangs non-concurrent with other live loads.
 - 5) This truss has been designed for a 10.0 psf bottom chord live load nonconcurrent with any other live loads.
 - 6) * This truss has been designed for a live load of 20.0psf on the bottom chord in all areas where a rectangle 3-6-0 tall by 2-0-0 wide will fit between the bottom chord and any other members, with BCDL = 10.0psf.
 - 7) Provide mechanical connection (by others) of truss to bearing plate capable of withstanding 100 lb uplift at joint(s) except (jt=lb) H=180, B=182.
 - 8) This truss is designed in accordance with the 2018 International Building Code section 2306.1 and referenced standard ANSI/TPI 1.



September 12, 2024

WARNING - Verify design parameters and READ NOTES ON THIS AND INCLUDED MITEK REFERENCE PAGE MII-7473 rev. 6/30/2020 BEFORE USE.

Design valid for use only with MiTek® connectors. This design is based only upon parameters shown, and is for an individual building component, not a truss system. Before use, the building designer must verify the applicability of design parameters and properly incorporate this design into the overall building design. Bracing indicated is to prevent buckling of individual truss web and/or chord members only. Additional temporary and permanent bracing is always required for stability and to prevent collapse with possible personal injury and property damage. For general guidance regarding the fabrication, storage, delivery, erection and bracing of trusses and truss systems, see

Safety Information available from Truss Plate Institute, 2670 Crain Highway, Suite 203 Waldorf, MD 20601



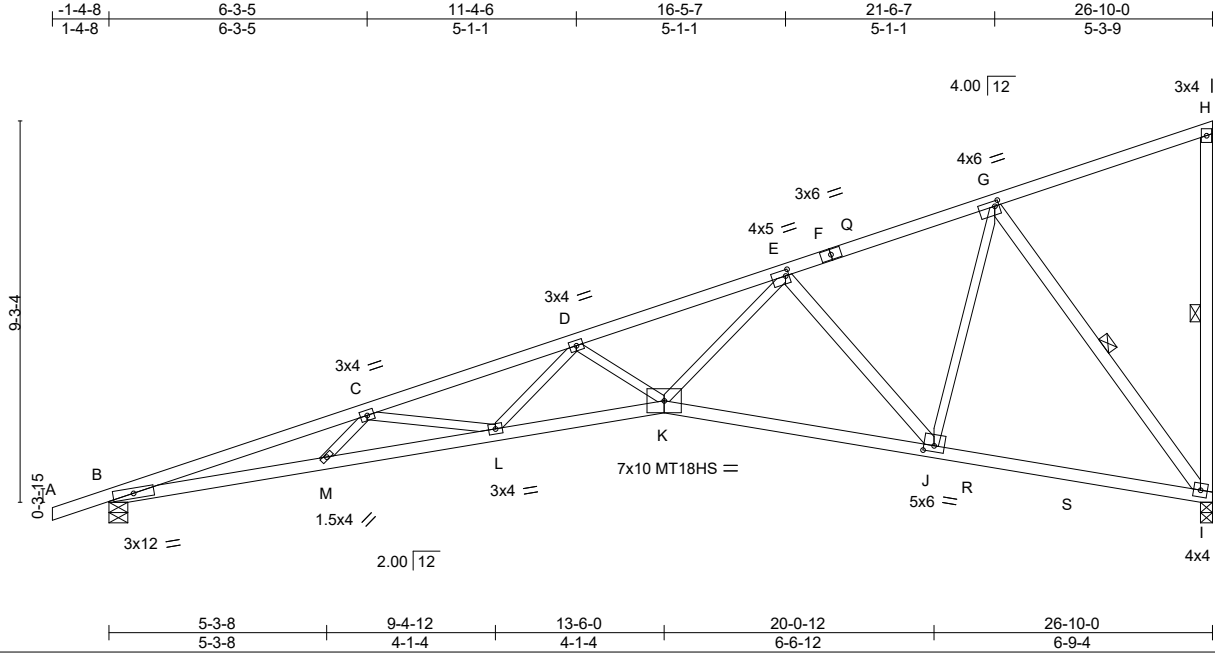
240 Stirling Crescent
Bradford, ON. L3Z 4L5

Job	Truss	Truss Type	Qty	Ply	Buildings A-H	U1530873
N0653A	T2A	MONOPITCH	54	1		

Alliance Truss (CA), Abbotsford, BC - V2S 7P6,

8.820 s Aug 30 2024 MiTek Industries, Inc. Thu Sep 12 02:48:27 2024 Page 1

ID:hFyjDMxrTsEK_kgkR0vWVzFlgc-1lvuJ?JQ2NTV3yyycKor9LWN1dJBxIje6RQQZAyeVqo



Scale = 1:56.0

Plate Offsets (X,Y)-- [E:0-1-0,0-1-12], [G:0-1-4,0-1-8], [J:0-3-0,0-1-12]

LOADING (psf)	SPACING-	CSI.	DEFL.	in (loc)	l/defl	L/d	PLATES	GRIP
TCLL 25.0 (Roof Snow=25.0)	2-0-0 Plate Grip DOL 1.15 Lumber DOL 1.15	TC 0.95 BC 0.86 WB 0.95	Vert(LL) -0.47 Vert(CT) -0.84 Horz(CT) 0.38 Wind(LL) 0.26	L-M L-M I L	>676 >381 n/a >999	360 240 n/a 240	MT20 MT18HS Weight: 108 lb	197/144 197/144 FT = 20%
TCDL 12.0	Rep Stress Incr YES Code IBC2018/TPI2014	Matrix-MS						
BCLL 0.0 *								
BCDL 10.0								

LUMBER-

TOP CHORD 2x4 SPF No.2
 BOT CHORD 2x4 SPF No.2 *Except*
 B-K: 2x4 SPF 2100F 1.8E
 WEBS 2x3 SPF No.2 *Except*
 H-I, E-J, G-I: 2x4 SPF No.2

BRACING-

TOP CHORD Structural wood sheathing directly applied, except end verticals.
 BOT CHORD Rigid ceiling directly applied or 8-3-15 oc bracing.
 WEBS 1 Row at midpt H-I, G-I

REACTIONS.

(size) I=0-3-8, B=0-5-8
 Max Horz B=287(LC 6)
 Max Uplift I=-203(LC 10), B=-157(LC 6)
 Max Grav I=1527(LC 17), B=1420(LC 3)

FORCES. (lb) - Max. Comp./Max. Ten. - All forces 250 (lb) or less except when shown.

TOP CHORD B-C=-5834/640, C-D=-5172/569, D-E=-4129/458, E-G=-1440/103
 BOT CHORD B-M=-847/5559, L-M=-895/5544, K-L=-705/4549, J-K=-364/2361, I-J=-148/1041
 WEBS C-L=-639/168, D-L=-34/622, D-K=-790/170, E-K=-307/2345, E-J=-1608/290,
 G-J=-116/1349, G-I=-1717/245

PRMU20240282 BLDG E

NOTES-

- 1) Wind: ASCE 7-16; Vult=115mph (3-second gust) Vasd=91mph; TCDL=4.2psf; BCDL=5.0psf; h=30ft; Ke=1.00; Cat. II; Exp B; Enclosed; MWFRS (envelope) gable end zone; cantilever left exposed; end vertical left exposed; Lumber DOL=1.33 plate grip DOL=1.33
- 2) TCLL: ASCE 7-16; Pf=25.0 psf (Lum DOL = 1.15 Plate DOL = 1.15); Is=1.0; Rough Cat B; Partially Exp.; Ce=1.0; Cs=1.00; Ct=1.10
- 3) Unbalanced snow loads have been considered for this design.
- 4) This truss has been designed for greater of min roof live load of 20.0 psf or 2.00 times flat roof load of 25.0 psf on overhangs non-concurrent with other live loads.
- 5) All plates are MT20 plates unless otherwise indicated.
- 6) This truss has been designed for a 10.0 psf bottom chord live load nonconcurrent with any other live loads.
- 7) * This truss has been designed for a live load of 20.0psf on the bottom chord in all areas where a rectangle 3-6-0 tall by 2-0-0 wide will fit between the bottom chord and any other members, with BCDL = 10.0psf.
- 8) Bearing at joint(s) I, B considers parallel to grain value using ANSI/TPI 1 angle to grain formula. Building designer should verify capacity of bearing surface.
- 9) Provide mechanical connection (by others) of truss to bearing plate capable of withstanding 100 lb uplift at joint(s) except (jt=lb) I=203, B=157.
- 10) This truss is designed in accordance with the 2018 International Building Code section 2306.1 and referenced standard ANSI/TPI 1.



September 12, 2024

WARNING - Verify design parameters and READ NOTES ON THIS AND INCLUDED MITEK REFERENCE PAGE MII-7473 rev. 6/30/2020 BEFORE USE.

Design valid for use only with MiTek® connectors. This design is based only upon parameters shown, and is for an individual building component, not a truss system. Before use, the building designer must verify the applicability of design parameters and properly incorporate this design into the overall building design. Bracing indicated is to prevent buckling of individual truss web and/or chord members only. Additional temporary and permanent bracing is always required for stability and to prevent collapse with possible personal injury and property damage. For general guidance regarding the fabrication, storage, delivery, erection and bracing of trusses and truss systems, see

ANSI/TPI1 Quality Criteria, DSB-89 and BCSI Building Component Safety Information available from Truss Plate Institute, 2670 Crain Highway, Suite 203 Waldorf, MD 20601



240 Stirling Crescent
 Bradford, ON. L3Z 4L5

Job N0653A	Truss T3	Truss Type GABLE	Qty 9	Ply 1	Buildings A-H Job Reference (optional)	U1530874
---------------	-------------	---------------------	----------	----------	---	----------

Alliance Truss (CA), Abbotsford, BC - V2S 7P6, 8.820 s Aug 30 2024 MiTek Industries, Inc. Thu Sep 12 02:48:28 2024 Page 1

ID:hFyjDMxrTsEK_kgkR0vWWVzFfgc-VxTHXlK2phbMh6XpuWMOukwENjcp1BunL5Az5cyeVqn

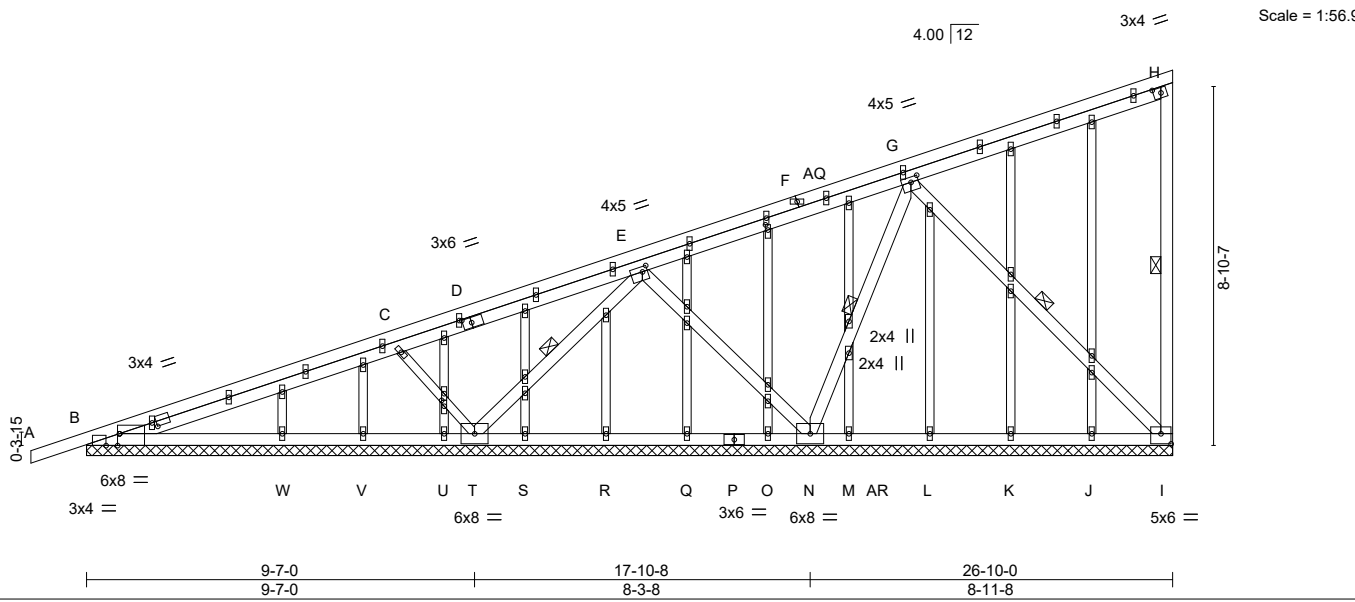


Plate Offsets (X,Y)--	[B:0-0-9,Edge], [B:0-11-7,0-1-8], [B:0-4-0,Edge], [D:0-2-10,0-1-8], [E:0-1-8,0-1-8], [G:0-2-4,0-1-8], [H:0-2-4,0-1-8], [I:0-3-0,0-3-0], [AF:0-1-9,0-0-12], [AM:0-1-12,0-0-12]
-----------------------	---

LOADING (psf)	SPACING-	CSI.	DEFL.	in (loc)	l/defl	L/d	PLATES	GRIP
TCLL 25.0 (Roof Snow=25.0)	2-0-0	TC 0.82	Vert(LL)	-0.01	A	n/r	MT20	197/144
TCDL 12.0	Plate Grip DOL 1.15	BC 0.56	Vert(CT)	0.04	A	n/r		
BCLL 0.0 *	Lumber DOL 1.15	WB 0.89	Horz(CT)	-0.03	K	n/a		
BCDL 10.0	Rep Stress Incr YES	Matrix-S					Weight: 176 lb	FT = 20%
	Code IBC2018/TPI2014							

LUMBER-	BRACING-
TOP CHORD 2x4 SPF No.2	TOP CHORD Structural wood sheathing directly applied or 3-8-5 oc purlins, except end verticals.
BOT CHORD 2x4 SPF No.2	BOT CHORD Rigid ceiling directly applied or 3-11-1 oc bracing.
WEBS 2x4 SPF No.2 *Except*	WEBS 1 Row at midpt H-I, E-T, G-N, G-I
C-T: 2x3 SPF No.2	
OTHERS 2x3 SPF No.2	

REACTIONS. All bearings 26-10-0.
 (lb) - Max Horz B=291(LC 38)
 Max Uplift All uplift 100 lb or less at joint(s) J, V except I=-1199(LC 35), B=-704(LC 32), T=-2021(LC 40), N=-900(LC 40)
 Max Grav All reactions 250 lb or less at joint(s) J, K, L, M, O, Q, R, S, U, V, W except I=1231(LC 28), B=844(LC 29), T=2060(LC 53), N=1177(LC 29)

PRMU20240282 BLDG E

FORCES. (lb) - Max. Comp./Max. Ten. - All forces 250 (lb) or less except when shown.
 TOP CHORD B-C=-2361/2145, C-E=-1374/1337, E-G=-1682/1537, G-H=-1756/1658, H-I=-302/52
 BOT CHORD B-W=-2234/2014, V-W=-1074/970, U-V=-594/442, T-U=-352/288, S-T=-1564/1483, R-S=-1294/1213, Q-R=-814/733, O-Q=-367/286, N-O=-593/512, M-N=-1104/1049, L-M=-897/843, K-L=-417/389, J-K=-725/670, I-J=-1170/1115
 WEBS C-T=-559/189, E-T=-2629/2583, E-N=-1389/1425, G-N=-1915/1874, G-I=-1577/1612

- NOTES-**
- 1) Wind: ASCE 7-16; Vult=115mph (3-second gust) Vasd=91mph; TCDL=4.2psf; BCDL=5.0psf; h=30ft; Ke=1.00; Cat. II; Exp B; Enclosed; MWFRS (envelope) gable end zone; cantilever left and right exposed; end vertical left and right exposed; Lumber DOL=1.33 plate grip DOL=1.33
 - 2) Truss designed for wind loads in the plane of the truss only. For studs exposed to wind (normal to the face), see Standard Industry Gable End Details as applicable, or consult qualified building designer as per ANSI/TPI 1.
 - 3) TCLL: ASCE 7-16; Pf=25.0 psf (Lum DOL = 1.15 Plate DOL = 1.15); Is=1.0; Rough Cat B; Partially Exp.; Ce=1.0; Cs=1.00; Ct=1.10
 - 4) Unbalanced snow loads have been considered for this design.
 - 5) This truss has been designed for greater of min roof live load of 20.0 psf or 2.00 times flat roof load of 25.0 psf on overhangs non-concurrent with other live loads.
 - 6) All plates are 1.5x4 MT20 unless otherwise indicated.
 - 7) Gable requires continuous bottom chord bearing.
 - 8) Gable studs spaced at 2-0-0 oc.
 - 9) This truss has been designed for a 10.0 psf bottom chord live load nonconcurrent with any other live loads.
 - 10) * This truss has been designed for a live load of 20.0psf on the bottom chord in all areas where a rectangle 3-6-0 tall by 2-0-0 wide will fit between the bottom chord and any other members, with BCDL = 10.0psf.
 - 11) Provide mechanical connection (by others) of truss to bearing plate capable of withstanding 100 lb uplift at joint(s) J, V except (jt=lb) I=1199, B=704, T=2021, N=900.
 - 12) This truss is designed in accordance with the 2018 International Building Code section 2306.1 and referenced standard ANSI/TPI



September 12, 2024

Continued on page 2

WARNING - Verify design parameters and READ NOTES ON THIS AND INCLUDED MITEK REFERENCE PAGE MII-7473 rev. 6/30/2020 BEFORE USE.
 Design valid for use only with MiTek® connectors. This design is based only upon parameters shown, and is for an individual building component, not a truss system. Before use, the building designer must verify the applicability of design parameters and properly incorporate this design into the overall building design. Bracing indicated is to prevent buckling of individual truss web and/or chord members only. Additional temporary and permanent bracing is always required for stability and to prevent collapse with possible personal injury and property damage. For general guidance regarding the fabrication, storage, delivery, erection and bracing of trusses and truss systems, see **ANSI/TPI1 Quality Criteria, DSB-89 and BCSI Building Component Safety Information** available from Truss Plate Institute, 2670 Crain Highway, Suite 203 Waldorf, MD 20601

240 Stirling Crescent
Bradford, ON. L3Z 4L5

Job	Truss	Truss Type	Qty	Ply	Buildings A-H	U1530874
N0653A	T3	GABLE	9	1	Job Reference (optional)	

Alliance Truss (CA), Abbotsford, BC - V2S 7P6,

8.820 s Aug 30 2024 MiTek Industries, Inc. Thu Sep 12 02:48:29 2024 Page 2
 ID:hFyjDMxrTsEK_kgkR0vWWWvzF1gc-z71fkhLga?jDJG5?RDudQxTP77y2me8xZlvXd3yeVqm

NOTES-

- 13) This truss has been designed for a total drag load of 240 plf. Lumber DOL=(1.33) Plate grip DOL=(1.33) Connect truss to resist drag loads along bottom chord from 0-0-0 to 26-10-0 for 240.0 plf.
- 14) No notches allowed in overhang and 10408 from left end and 0 from right end or 12" along rake from scarf, whichever is larger. Minimum 1.5x4 tie plates required at 2-0-0 o.c. maximum between the stacking chords. For edge-wise notching, provide at least one tie plate between each notch.

WARNING - Verify design parameters and READ NOTES ON THIS AND INCLUDED MITEK REFERENCE PAGE MII-7473 rev. 6/30/2020 BEFORE USE.

Design valid for use only with MiTek® connectors. This design is based only upon parameters shown, and is for an individual building component, not a truss system. Before use, the building designer must verify the applicability of design parameters and properly incorporate this design into the overall building design. Bracing indicated is to prevent buckling of individual truss web and/or chord members only. Additional temporary and permanent bracing is always required for stability and to prevent collapse with possible personal injury and property damage. For general guidance regarding the fabrication, storage, delivery, erection and bracing of trusses and truss systems, see

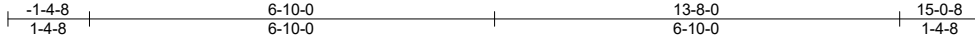
Safety Information available from Truss Plate Institute, 2670 Crain Highway, Suite 203 Waldorf, MD 20601 **ANSI/TPI1 Quality Criteria, DSB-89 and BCSI Building Component**



240 Stirling Crescent
 Bradford, ON. L3Z 4L5

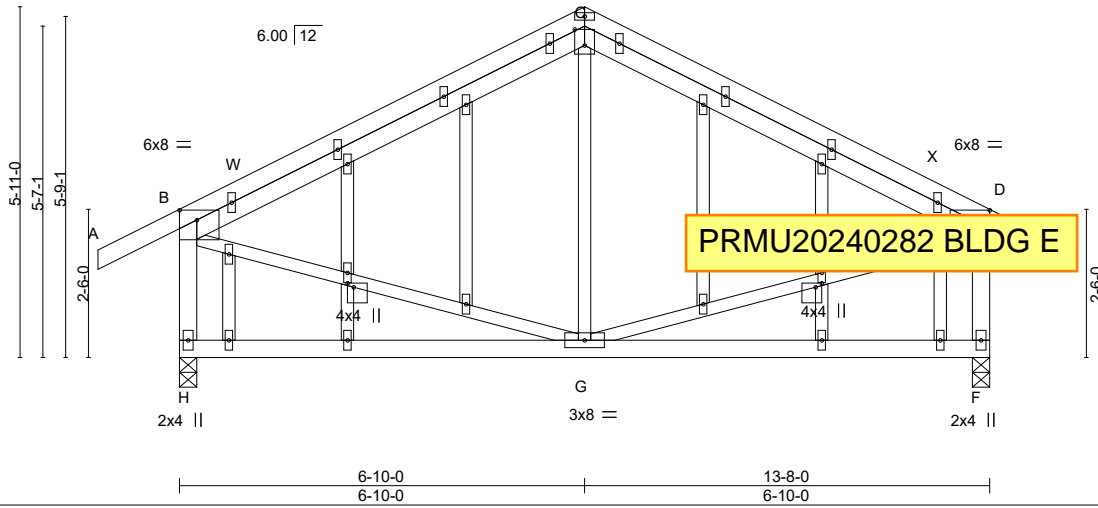
Job	Truss	Truss Type	Qty	Ply	Buildings A-H	U1530803
N0653A	U1	GABLE	10	1		

Alliance Truss (CA), Abbotsford, BC - V2S 7P6, 8.630 s Jul 12 2024 MiTek Industries, Inc. Thu Sep 12 02:47:46 2024 Page 1
 ID:hFyjDMxrTsEK_kgkR0vWWVzFfgc-RfC?PsB70Hq3NSgPqnL8w3ulTXbGKWrCDoi7J4zJC?f



4x5 ||

Scale = 1:38.9



PRMU20240282 BLDG E

Plate Offsets (X,Y)-- [B:0-3-8,0-2-0], [C:0-3-4,0-2-0], [D:0-3-8,0-2-0], [K:0-0-13,0-1-4], [T:0-0-13,0-1-4]

LOADING (psf)	SPACING-	CSI.	DEFL.	PLATES	GRIP
TCLL 25.0 (Roof Snow=25.0)	2-0-0 Plate Grip DOL 1.15 Lumber DOL 1.15	TC 0.81 BC 0.33 WB 0.14 Matrix-MS	in (loc) l/defl L/d Vert(LL) -0.04 F-G >999 360 Vert(CT) -0.09 F-G >999 240 Horz(CT) 0.00 F n/a n/a Wind(LL) 0.00 G >999 240	MT20	197/144
TCDL 12.0	Rep Stress Incr YES			Weight: 86 lb	FT = 20%
BCLL 0.0 *	Code IBC2018/TPI2014				
BCDL 10.0					

LUMBER-

TOP CHORD 2x4 SPF No.2
 BOT CHORD 2x4 SPF No.2
 WEBS 2x3 SPF No.2 *Except*
 B-H,D-F: 2x4 SPF No.2
 OTHERS 2x3 SPF No.2

BRACING-

TOP CHORD Structural wood sheathing directly applied or 3-11-6 oc purlins, except end verticals.
 BOT CHORD Rigid ceiling directly applied or 10-0-0 oc bracing.

REACTIONS.

(size) H=0-3-8, F=0-3-8
 Max Horz H=-95(LC 8)
 Max Uplift H=-77(LC 10), F=-77(LC 11)
 Max Grav H=836(LC 17), F=836(LC 18)

FORCES. (lb) - Max. Comp./Max. Ten. - All forces 250 (lb) or less except when shown.

TOP CHORD B-C=-643/66, C-D=-643/66, B-H=-771/103, D-F=-771/103
 WEBS B-G=0/413, D-G=0/413

NOTES-

- 1) Wind: ASCE 7-16; Vult=115mph (3-second gust) Vasd=91mph; TCDL=4.2psf; BCDL=5.0psf; h=30ft; Ke=1.00; Cat. II; Exp B; Enclosed; MWFRS (envelope) gable end zone; cantilever left and right exposed; end vertical left and right exposed; Lumber DOL=1.33 plate grip DOL=1.33
- 2) Truss designed for wind loads in the plane of the truss only. For studs exposed to wind (normal to the face), see Standard Industry Gable End Details as applicable, or consult qualified building designer as per ANSI/TPI 1.
- 3) TCLL: ASCE 7-16; Pf=25.0 psf (Lum DOL=1.15 Plate DOL=1.15); Is=1.0; Rough Cat B; Partially Exp.; Ce=1.0; Cs=1.00; Ct=1.10
- 4) Unbalanced snow loads have been considered for this design.
- 5) This truss has been designed for greater of min roof live load of 18.0 psf or 2.00 times flat roof load of 25.0 psf on overhangs non-concurrent with other live loads.
- 6) All plates are 1.5x4 MT20 unless otherwise indicated.
- 7) Gable studs spaced at 2-0-0 oc.
- 8) This truss has been designed for a 10.0 psf bottom chord live load nonconcurrent with any other live loads.
- 9) * This truss has been designed for a live load of 20.0psf on the bottom chord in all areas where a rectangle 3-6-0 tall by 2-0-0 wide will fit between the bottom chord and any other members.
- 10) Provide mechanical connection (by others) of truss to bearing plate capable of withstanding 100 lb uplift at joint(s) H, F.
- 11) This truss is designed in accordance with the 2018 International Building Code section 2306.1 and referenced standard ANSI/TPI 1.
- 12) No notches allowed in overhang and 10408 from left end and 10408 from right end or 12" along rake from scarf, whichever is larger. Minimum 1.5x4 tie plates required at 2-0-0 o.c. maximum between the stacking chords. For edge-wise notching, provide at least one tie plate between each notch.



September 12, 2024

WARNING - Verify design parameters and READ NOTES ON THIS AND INCLUDED MITEK REFERENCE PAGE MII-7473 rev. 6/30/2020 BEFORE USE.
 Design valid for use only with MiTek® connectors. This design is based only upon parameters shown, and is for an individual building component, not a truss system. Before use, the building designer must verify the applicability of design parameters and properly incorporate this design into the overall building design. Bracing indicated is to prevent buckling of individual truss web and/or chord members only. Additional temporary and permanent bracing is always required for stability and to prevent collapse with possible personal injury and property damage. For general guidance regarding the fabrication, storage, delivery, erection and bracing of trusses and truss systems, see **ANSI/TPI1 Quality Criteria, DSB-89 and BCSI Building Component Safety Information** available from Truss Plate Institute, 2670 Crain Highway, Suite 203 Waldorf, MD 20601



Job	Truss	Truss Type	Qty	Ply	Buildings A-H	U1530804
N0653A	U2	GABLE	10	1		

Alliance Truss (CA), Abbotsford, BC - V2S 7P6,

8.630 s Jul 12 2024 MiTek Industries, Inc. Thu Sep 12 02:47:47 2024 Page 1

ID:hFyjDMxrTsEK_kgkR0vWWVzFfgc-RfC?PsB70Hq3NSgPqnL8w3ulTXbGKWrCDoi7J4zJC?f



3x4

Scale = 1:52.2

PRMU20240282 BLDG E

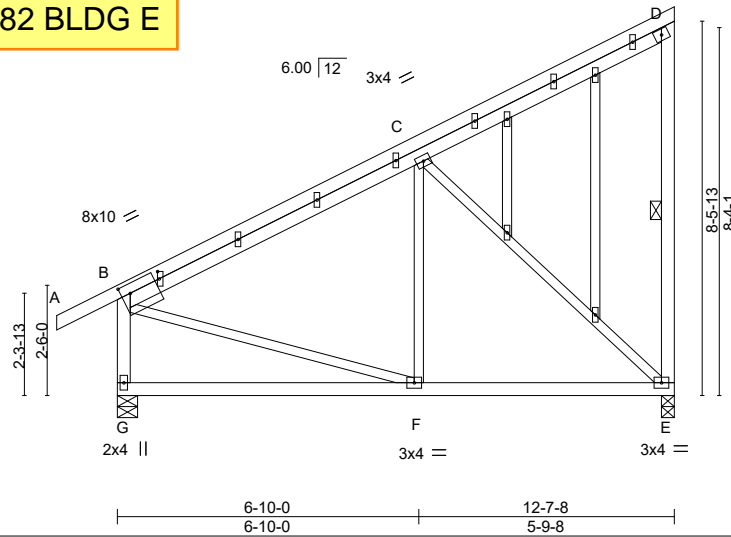


Plate Offsets (X,Y)-- [B:0-2-8,0-2-8], [B:0-2-0,0-0-7]

LOADING (psf)		SPACING-		CSI.		DEFL.		PLATES		GRIP	
TCLL	25.0	Plate Grip DOL	1.15	TC	0.63	Vert(LL)	-0.05 F-G >999 360	MT20		197/144	
(Roof Snow=25.0)		Lumber DOL	1.15	BC	0.33	Vert(CT)	-0.10 F-G >999 240				
TCDL	12.0	Rep Stress Incr	YES	WB	0.92	Horz(CT)	0.01 E n/a n/a				
BCLL	0.0 *	Code IBC2018/TPI2014		Matrix-MS		Wind(LL)	-0.02 E-F >999 240				
BCDL	10.0							Weight: 82 lb		FT = 20%	

LUMBER-

TOP CHORD 2x4 SPF No.2
 BOT CHORD 2x4 SPF No.2
 WEBS 2x3 SPF No.2 *Except*
 D-E,B-G: 2x4 SPF No.2
 OTHERS 2x3 SPF No.2

BRACING-

TOP CHORD Structural wood sheathing directly applied or 6-0-0 oc purlins, except end verticals.
 BOT CHORD Rigid ceiling directly applied or 6-0-0 oc bracing.
 WEBS 1 Row at midpt D-E

REACTIONS.

(size) G=0-5-8, E=0-3-8
 Max Horz G=253(LC 9)
 Max Uplift G=-65(LC 10), E=-107(LC 10)
 Max Grav G=749(LC 17), E=739(LC 17)

FORCES. (lb) - Max. Comp./Max. Ten. - All forces 250 (lb) or less except when shown.

TOP CHORD B-C=-621/41, D-E=-262/51, B-G=-685/95
 BOT CHORD E-F=-101/474
 WEBS C-E=-631/138, B-F=0/431

NOTES-

- 1) Wind: ASCE 7-16; Vult=115mph (3-second gust) Vasd=91mph; TCDL=4.2psf; BCDL=5.0psf; h=30ft; Ke=1.00; Cat. II; Exp B; Enclosed; MWFRS (envelope) gable end zone; cantilever left and right exposed ; end vertical left and right exposed; Lumber DOL=1.33 plate grip DOL=1.33
- 2) Truss designed for wind loads in the plane of the truss only. For studs exposed to wind (normal to the face), see Standard Industry Gable End Details as applicable, or consult qualified building designer as per ANSI/TPI 1.
- 3) TCLL: ASCE 7-16; Pf=25.0 psf (Lum DOL=1.15 Plate DOL=1.15); Is=1.0; Rough Cat B; Partially Exp.; Ce=1.0; Cs=1.00; Ct=1.10
- 4) Unbalanced snow loads have been considered for this design.
- 5) This truss has been designed for greater of min roof live load of 18.0 psf or 2.00 times flat roof load of 25.0 psf on overhangs non-concurrent with other live loads.
- 6) All plates are 1.5x4 MT20 unless otherwise indicated.
- 7) Gable studs spaced at 2-0-0 oc.
- 8) This truss has been designed for a 10.0 psf bottom chord live load nonconcurrent with any other live loads.
- 9) * This truss has been designed for a live load of 20.0psf on the bottom chord in all areas where a rectangle 3-6-0 tall by 2-0-0 wide will fit between the bottom chord and any other members.
- 10) Provide mechanical connection (by others) of truss to bearing plate capable of withstanding 100 lb uplift at joint(s) G except (jt=lb) E=107.
- 11) This truss is designed in accordance with the 2018 International Building Code section 2306.1 and referenced standard ANSI/TPI 1.
- 12) No notches allowed in overhang and 10408 from left end and 0 from right end or 12" along rake from scarf, whichever is larger. Minimum 1.5x4 tie plates required at 2-0-0 o.c. maximum between the stacking chords. For edge-wise notching, provide at least one tie plate between each notch.



September 12, 2024

WARNING - Verify design parameters and READ NOTES ON THIS AND INCLUDED MITEK REFERENCE PAGE MII-7473 rev. 6/30/2020 BEFORE USE.

Design valid for use only with MiTek® connectors. This design is based only upon parameters shown, and is for an individual building component, not a truss system. Before use, the building designer must verify the applicability of design parameters and properly incorporate this design into the overall building design. Bracing indicated is to prevent buckling of individual truss web and/or chord members only. Additional temporary and permanent bracing is always required for stability and to prevent collapse with possible personal injury and property damage. For general guidance regarding the fabrication, storage, delivery, erection and bracing of trusses and truss systems, see

Safety Information available from Truss Plate Institute, 2670 Crain Highway, Suite 203 Waldorf, MD 20601

ANSI/TPI1 Quality Criteria, DSB-89 and BCSI Building Component



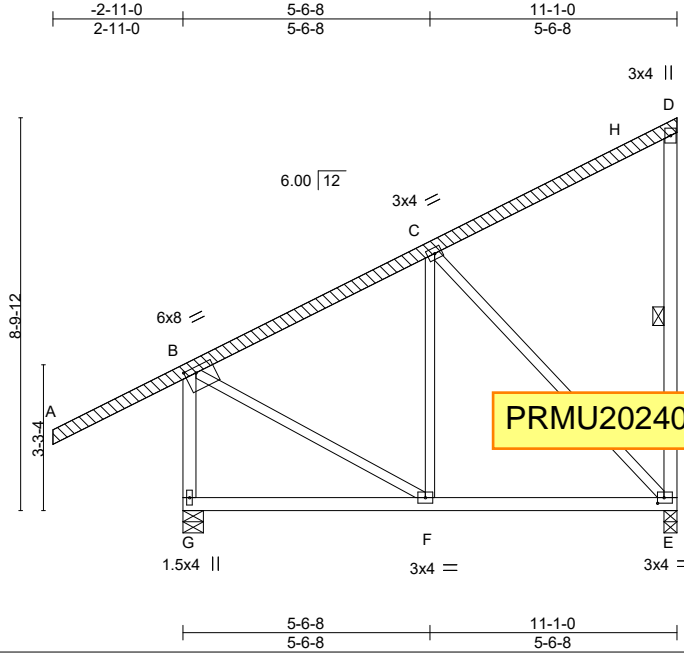
240 Stirling Crescent
 Bradford, ON. L3Z 4L5

Job	Truss	Truss Type	Qty	Ply	Buildings A-H	U1530805
N0653A	U3	Monopitch	20	1		

Alliance Truss (CA), Abbotsford, BC - V2S 7P6,

8.630 s Jul 12 2024 MiTek Industries, Inc. Thu Sep 12 02:47:48 2024 Page 1

ID:hFyjDMxrTsEK_kgkR0vWWVzFfgc-Rfc?PsB70Hq3NSgPqnL8w3ulTXbGKWrCDoi7J4zJC?f



Scale = 1:51.7

Plate Offsets (X,Y)-- [B:0-3-0,0-1-8], [E:0-1-12,0-1-8]

LOADING (psf)	SPACING-	CSI.	DEFL.	in (loc)	l/defl	L/d	PLATES	GRIP
TCLL 25.0 (Roof Snow=25.0)	2-0-0 Plate Grip DOL 1.15	TC 0.63	Vert(LL)	-0.02	E-F	>999	MT20	197/144
TCDL 12.0	Lumber DOL 1.15	BC 0.25	Vert(CT)	-0.04	E-F	>999		
BCLL 0.0 *	Rep Stress Incr YES	WB 0.67	Horz(CT)	-0.00	E	n/a		n/a
BCDL 10.0	Code IBC2018/TPI2014	Matrix-MS	Wind(LL)	-0.02	E-F	>999		240
							Weight: 77 lb	FT = 20%

LUMBER-
TOP CHORD 2x4 SPF No.2
BOT CHORD 2x4 SPF No.2
WEBS 2x3 SPF No.2 *Except*
D-E,B-G: 2x4 SPF No.2
OTHERS 2x4 SPF No.2
LBR SCAB A-D 2x4 SPF No.2 one side

BRACING-
TOP CHORD Structural wood sheathing directly applied or 6-0-0 oc purlins, except end verticals.
BOT CHORD Rigid ceiling directly applied or 6-0-0 oc bracing.
WEBS 1 Row at midpt D-E

REACTIONS. (size) G=0-5-8, E=0-3-8
Max Horz G=274(LC 7)
Max Uplift G=-83(LC 10), E=-103(LC 7)
Max Grav G=817(LC 17), E=629(LC 17)

FORCES. (lb) - Max. Comp./Max. Ten. - All forces 250 (lb) or less except when shown.
TOP CHORD B-C=-439/35, D-E=-260/51, B-G=-772/107
BOT CHORD F-G=-256/88, E-F=-114/311
WEBS C-E=-443/116, B-F=0/379

- NOTES-**
- Attached 15-9-9 scab A to D, front face(s) 2x4 SPF No.2 with 1 row(s) of 10d (0.131"x3") nails spaced 9" o.c. except : starting at 2-5-1 from end at joint A, nail 1 row(s) at 4" o.c. for 2-0-0; starting at 8-5-8 from end at joint A, nail 1 row(s) at 7" o.c. for 2-0-0; starting at 13-5-14 from end at joint A, nail 1 row(s) at 7" o.c. for 2-0-0.
 - Wind: ASCE 7-16; Vult=115mph (3-second gust) Vasd=91mph; TC DL=4.2psf; BCDL=5.0psf; h=30ft; Ke=1.00; Cat. II; Exp B; Enclosed; MWFRS (envelope) gable end zone; cantilever left and right exposed ; end vertical left and right exposed; Lumber DOL=1.33 plate grip DOL=1.33
 - TCLL: ASCE 7-16; Pf=25.0 psf (Lum DOL=1.15 Plate DOL=1.15); Is=1.0; Rough Cat B; Partially Exp.; Ce=1.0; Cs=1.00; Ct=1.10
 - Unbalanced snow loads have been considered for this design.
 - This truss has been designed for greater of min roof live load of 18.0 psf or 2.00 times flat roof load of 25.0 psf on overhangs non-concurrent with other live loads.
 - This truss has been designed for a 10.0 psf bottom chord live load nonconcurrent with any other live loads.
 - * This truss has been designed for a live load of 20.0psf on the bottom chord in all areas where a rectangle 3-6-0 tall by 2-0-0 wide will fit between the bottom chord and any other members.
 - Provide mechanical connection (by others) of truss to bearing plate capable of withstanding 100 lb uplift at joint(s) G except (jt=lb) E=103.
 - This truss is designed in accordance with the 2018 International Building Code section 2306.1 and referenced standard ANSI/TPI 1.



September 12, 2024

WARNING - Verify design parameters and READ NOTES ON THIS AND INCLUDED MITEK REFERENCE PAGE MII-7473 rev. 6/30/2020 BEFORE USE.

Design valid for use only with MiTek® connectors. This design is based only upon parameters shown, and is for an individual building component, not a truss system. Before use, the building designer must verify the applicability of design parameters and properly incorporate this design into the overall building design. Bracing indicated is to prevent buckling of individual truss web and/or chord members only. Additional temporary and permanent bracing is always required for stability and to prevent collapse with possible personal injury and property damage. For general guidance regarding the fabrication, storage, delivery, erection and bracing of trusses and truss systems, see

Safety Information available from Truss Plate Institute, 2670 Crain Highway, Suite 203 Waldorf, MD 20601

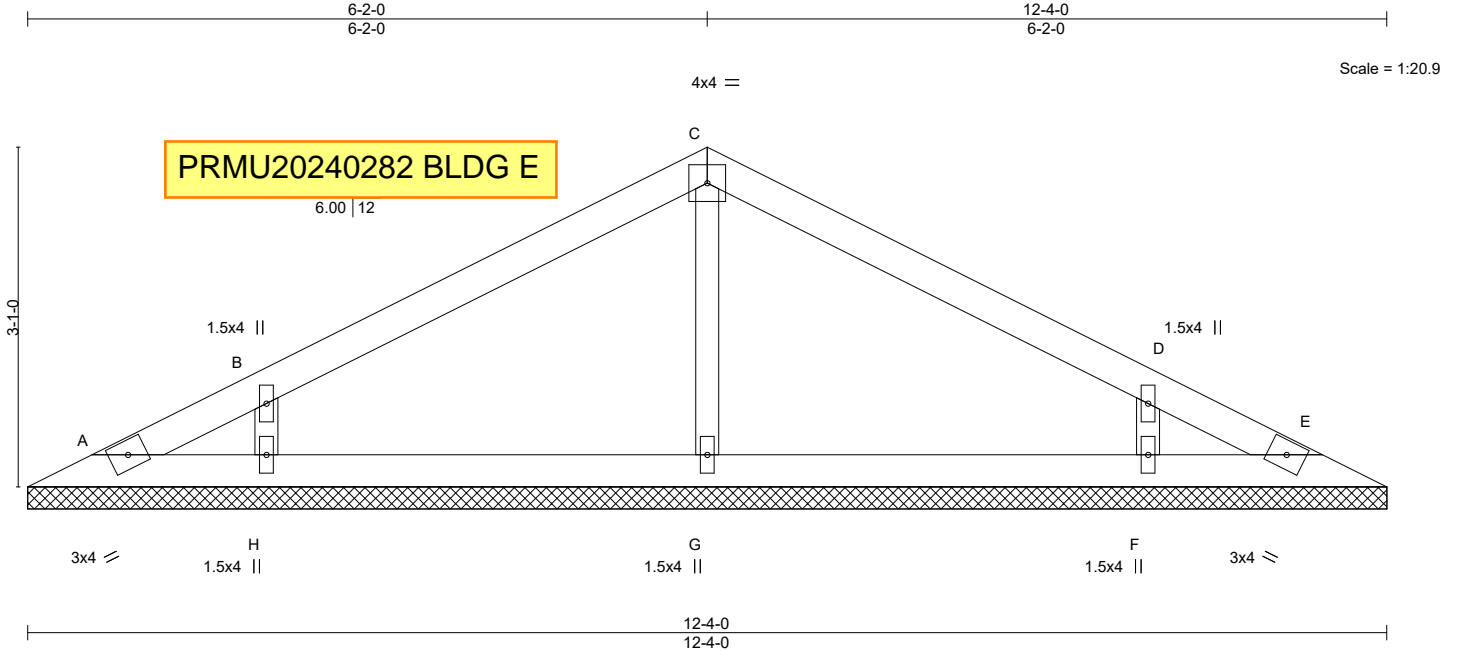


240 Stirling Crescent
Bradford, ON. L3Z 4L5

Job	Truss	Truss Type	Qty	Ply	Buildings A-H	U1530875
N0653A	VG1	GABLE	2	1		

Alliance Truss (CA), Abbotsford, BC - V2S 7P6,

8.820 s Aug 30 2024 MiTek Industries, Inc. Thu Sep 12 02:48:29 2024 Page 1
 ID:hFyjDMxrTsEK_kgkR0vWVvzFlgc-z71fkLga?jJG5?RDudQxTXZ739mqtxZlvXd3yeVqm



LOADING (psf)	SPACING-	CSI.	DEFL.	PLATES	GRIP
TCLL 25.0 (Roof Snow=25.0)	2-0-0	TC 0.28	in (loc) l/defl L/d	MT20	197/144
TCDL 12.0	Plate Grip DOL 1.15	BC 0.10	Vert(LL) n/a - n/a 999		
BCLL 0.0 *	Lumber DOL 1.15	WB 0.08	Vert(CT) n/a - n/a 999		
BCDL 10.0	Rep Stress Incr YES	Matrix-S	Horz(CT) 0.00 E n/a n/a		
	Code IBC2018/TPI2014			Weight: 31 lb	FT = 20%

LUMBER-

TOP CHORD 2x4 SPF No.2
 BOT CHORD 2x4 SPF No.2
 OTHERS 2x3 SPF No.2

BRACING-

TOP CHORD Structural wood sheathing directly applied or 6-0-0 oc purlins.
 BOT CHORD Rigid ceiling directly applied or 10-0-0 oc bracing.

REACTIONS.

All bearings 12-4-0.
 (lb) - Max Horz A=-36(LC 11)
 Max Uplift All uplift 100 lb or less at joint(s) A, H, F
 Max Grav All reactions 250 lb or less at joint(s) A, E except G=332(LC 16), H=495(LC 16), F=495(LC 17)

FORCES. (lb) - Max. Comp./Max. Ten. - All forces 250 (lb) or less except when shown.
 WEBS B-H=-438/114, D-F=-438/114

NOTES-

- 1) Wind: ASCE 7-16; Vult=115mph (3-second gust) Vasd=91mph; TCDL=4.2psf; BCDL=5.0psf; h=30ft; Ke=1.00; Cat. II; Exp B; Enclosed; MWFRS (envelope) gable end zone; cantilever left and right exposed; end vertical left and right exposed; Lumber DOL=1.33 plate grip DOL=1.33
- 2) TCLL: ASCE 7-16; Pf=25.0 psf (Lum DOL = 1.15 Plate DOL = 1.15); Is=1.0; Rough Cat B; Partially Exp.; Ce=1.0; Cs=1.00; Ct=1.10
- 3) Unbalanced snow loads have been considered for this design.
- 4) Gable requires continuous bottom chord bearing.
- 5) This truss has been designed for a 10.0 psf bottom chord live load nonconcurrent with any other live loads.
- 6) * This truss has been designed for a live load of 20.0psf on the bottom chord in all areas where a rectangle 3-6-0 tall by 2-0-0 wide will fit between the bottom chord and any other members.
- 7) Provide mechanical connection (by others) of truss to bearing plate capable of withstanding 100 lb uplift at joint(s) A, H, F.
- 8) This truss is designed in accordance with the 2018 International Building Code section 2306.1 and referenced standard ANSI/TPI 1.



September 12, 2024

WARNING - Verify design parameters and READ NOTES ON THIS AND INCLUDED MITEK REFERENCE PAGE MII-7473 rev. 6/30/2020 BEFORE USE.

Design valid for use only with MiTek® connectors. This design is based only upon parameters shown, and is for an individual building component, not a truss system. Before use, the building designer must verify the applicability of design parameters and properly incorporate this design into the overall building design. Bracing indicated is to prevent buckling of individual truss web and/or chord members only. Additional temporary and permanent bracing is always required for stability and to prevent collapse with possible personal injury and property damage. For general guidance regarding the fabrication, storage, delivery, erection and bracing of trusses and truss systems, see

Safety Information available from Truss Plate Institute, 2670 Crain Highway, Suite 203 Waldorf, MD 20601
 ANSI/TPI1 Quality Criteria, DSB-89 and BCSI Building Component



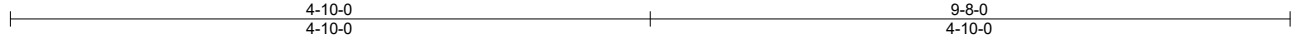
240 Stirling Crescent
 Bradford, ON. L3Z 4L5

Job	Truss	Truss Type	Qty	Ply	Buildings A-H	U1530876
N0653A	VG2	GABLE	2	1		

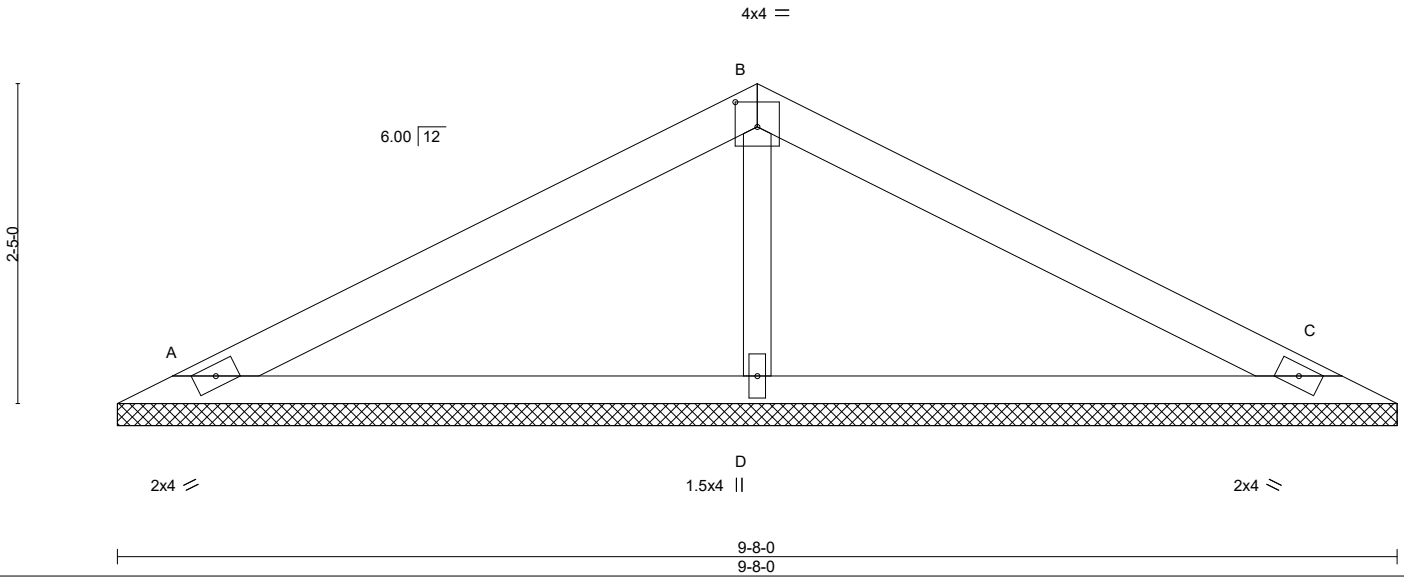
Alliance Truss (CA), Abbotsford, BC - V2S 7P6,

8.820 s Aug 30 2024 MiTek Industries, Inc. Thu Sep 12 02:48:30 2024 Page 1

ID:hFyjDMxrTsEK_kgkR0vWWVzF1gc-RKb1x1MILr4wQgB?wPsz9?g2WM3VIK4oPf49VyeVql



Scale = 1:17.4



LOADING (psf)		SPACING-		CSI.		DEFL.				PLATES	GRIP	
TCLL	25.0	Plate Grip DOL	1.15	TC	0.43	Vert(LL)	n/a	-	n/a	999	MT20	197/144
(Roof Snow=25.0)		Lumber DOL	1.15	BC	0.32	Vert(CT)	n/a	-	n/a	999		
TCDL	12.0	Rep Stress Incr	YES	WB	0.00	Horz(CT)	0.01	C	n/a	n/a		
BCLL	0.0 *	Code IBC2018/TPI2014		Matrix-S							Weight: 21 lb	FT = 20%
BCDL	10.0											

LUMBER-
TOP CHORD 2x4 SPF No.2
BOT CHORD 2x3 SPF No.2
OTHERS 2x3 SPF No.2

BRACING-
TOP CHORD Structural wood sheathing directly applied or 6-0-0 oc purlins.
BOT CHORD Rigid ceiling directly applied or 10-0-0 oc bracing.

REACTIONS. (size) A=9-8-0, C=9-8-0, D=9-8-0
Max Horz A=28(LC 14)
Max Uplift A=-56(LC 10), C=-56(LC 11)
Max Grav A=423(LC 16), C=423(LC 17), D=206(LC 5)

FORCES. (lb) - Max. Comp./Max. Ten. - All forces 250 (lb) or less except when shown.
TOP CHORD A-B=-474/94, B-C=-474/94
BOT CHORD A-D=-60/354, C-D=-60/354

PRMU20240282 BLDG E

- NOTES-**
- 1) Wind: ASCE 7-16; Vult=115mph (3-second gust) Vasd=91mph; TCDL=4.2psf; BCDL=5.0psf; h=30ft; Ke=1.00; Cat. II; Exp B; Enclosed; MWFRS (envelope) gable end zone; cantilever left and right exposed; end vertical left and right exposed; Lumber DOL=1.33 plate grip DOL=1.33
 - 2) TCLL: ASCE 7-16; Pf=25.0 psf (Lum DOL = 1.15 Plate DOL = 1.15); Is=1.0; Rough Cat B; Partially Exp.; Ce=1.0; Cs=1.00; Ct=1.10
 - 3) Unbalanced snow loads have been considered for this design.
 - 4) Gable requires continuous bottom chord bearing.
 - 5) This truss has been designed for a 10.0 psf bottom chord live load nonconcurrent with any other live loads.
 - 6) * This truss has been designed for a live load of 20.0psf on the bottom chord in all areas where a rectangle 3-6-0 tall by 2-0-0 wide will fit between the bottom chord and any other members.
 - 7) Provide mechanical connection (by others) of truss to bearing plate capable of withstanding 100 lb uplift at joint(s) A, C.
 - 8) This truss is designed in accordance with the 2018 International Building Code section 2306.1 and referenced standard ANSI/TPI 1.



September 12, 2024

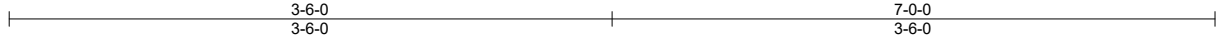
WARNING - Verify design parameters and READ NOTES ON THIS AND INCLUDED MITEK REFERENCE PAGE MII-7473 rev. 6/30/2020 BEFORE USE.
Design valid for use only with MiTek® connectors. This design is based only upon parameters shown, and is for an individual building component, not a truss system. Before use, the building designer must verify the applicability of design parameters and properly incorporate this design into the overall building design. Bracing indicated is to prevent buckling of individual truss web and/or chord members only. Additional temporary and permanent bracing is always required for stability and to prevent collapse with possible personal injury and property damage. For general guidance regarding the fabrication, storage, delivery, erection and bracing of trusses and truss systems, see **ANSI/TPI1 Quality Criteria, DSB-89 and BCSI Building Component Safety Information** available from Truss Plate Institute, 2670 Crain Highway, Suite 203 Waldorf, MD 20601



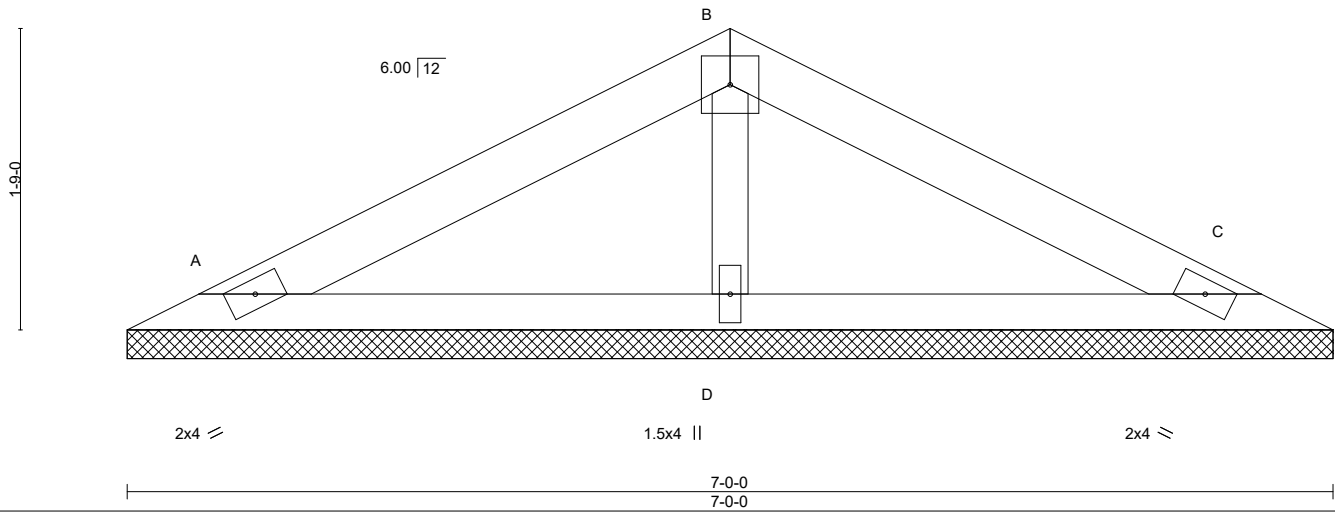
Job	Truss	Truss Type	Qty	Ply	Buildings A-H	U1530877
N0653A	VG3	Valley	2	1		

Alliance Truss (CA), Abbotsford, BC - V2S 7P6,

8.820 s Aug 30 2024 MiTek Industries, Inc. Thu Sep 12 02:48:30 2024 Page 1
ID:hFyjDMxrTsEK_kgkR0vWWVzFlgc-RKb1x1MLlr4wQgB?wPsz9?j6WOjVIn4oPf49VyeVql



Scale = 1:13.4



LOADING (psf)	SPACING-	CSI.	DEFL.	in (loc)	l/defl	L/d	PLATES	GRIP
TCLL 25.0 (Roof Snow=25.0)	2-0-0 Plate Grip DOL 1.15 Lumber DOL 1.15	TC 0.23 BC 0.15 WB 0.04 Matrix-P	Vert(LL) n/a Vert(CT) n/a Horz(CT) 0.00	-	n/a	999	MT20	197/144
TCDL 12.0 BCLL 0.0 * BCDL 10.0	Rep Stress Incr YES Code IBC2018/TPI2014			C	n/a	n/a	Weight: 15 lb	FT = 20%

LUMBER-
TOP CHORD 2x4 SPF No.2
BOT CHORD 2x3 SPF No.2
OTHERS 2x3 SPF No.2

BRACING-
TOP CHORD Structural wood sheathing directly applied or 6-0-0 oc purlins.
BOT CHORD Rigid ceiling directly applied or 10-0-0 oc bracing.

REACTIONS. (size) A=7-0-0, C=7-0-0, D=7-0-0
Max Horz A=19(LC 10)
Max Uplift A=-23(LC 10), C=-27(LC 11)
Max Grav A=188(LC 16), C=188(LC 17), D=269(LC 1)

FORCES. (lb) - Max. Comp./Max. Ten. - All forces 250 (lb) or less except when shown.

PRMU20240282 BLDG E

NOTES-

- 1) Wind: ASCE 7-16; Vult=115mph (3-second gust) Vasd=91mph; TCDL=4.2psf; BCDL=5.0psf; h=30ft; Ke=1.00; Cat. II; Exp B; Enclosed; MWFRS (envelope) gable end zone; cantilever left and right exposed; end vertical left and right exposed; Lumber DOL=1.33 plate grip DOL=1.33
- 2) TCLL: ASCE 7-16; Pf=25.0 psf (Lum DOL = 1.15 Plate DOL = 1.15); Is=1.0; Rough Cat B; Partially Exp.; Ce=1.0; Cs=1.00; Ct=1.10
- 3) Unbalanced snow loads have been considered for this design.
- 4) Gable requires continuous bottom chord bearing.
- 5) This truss has been designed for a 10.0 psf bottom chord live load nonconcurrent with any other live loads.
- 6) * This truss has been designed for a live load of 20.0psf on the bottom chord in all areas where a rectangle 3-6-0 tall by 2-0-0 wide will fit between the bottom chord and any other members.
- 7) Provide mechanical connection (by others) of truss to bearing plate capable of withstanding 100 lb uplift at joint(s) A, C.
- 8) This truss is designed in accordance with the 2018 International Building Code section 2306.1 and referenced standard ANSI/TPI 1.



September 12, 2024

WARNING - Verify design parameters and READ NOTES ON THIS AND INCLUDED MITEK REFERENCE PAGE MII-7473 rev. 6/30/2020 BEFORE USE.

Design valid for use only with MiTek® connectors. This design is based only upon parameters shown, and is for an individual building component, not a truss system. Before use, the building designer must verify the applicability of design parameters and properly incorporate this design into the overall building design. Bracing indicated is to prevent buckling of individual truss web and/or chord members only. Additional temporary and permanent bracing is always required for stability and to prevent collapse with possible personal injury and property damage. For general guidance regarding the fabrication, storage, delivery, erection and bracing of trusses and truss systems, see

ANSI/TPI1 Quality Criteria, DSB-89 and BCSI Building Component Safety Information available from Truss Plate Institute, 2670 Crain Highway, Suite 203 Waldorf, MD 20601



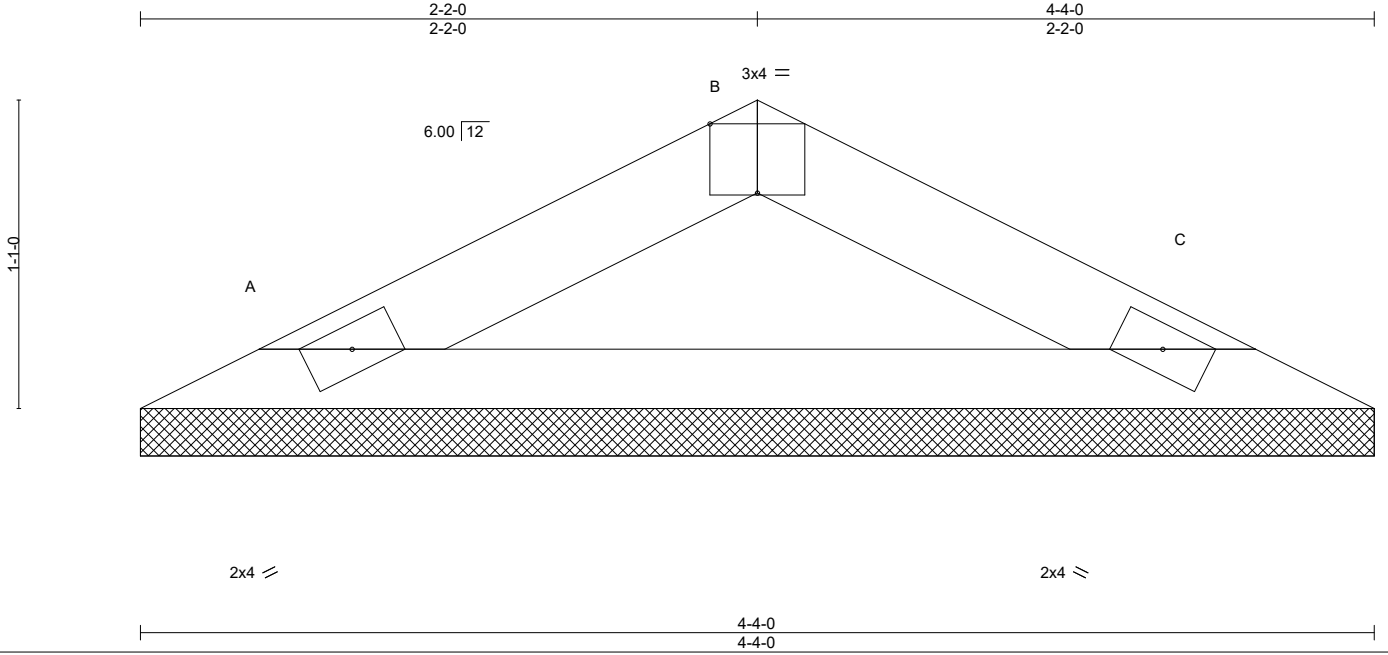
240 Stirling Crescent
Bradford, ON. L3Z 4L5

Job	Truss	Truss Type	Qty	Ply	Buildings A-H	U1530878
N0653A	VG4	Valley	2	1		

Alliance Truss (CA), Abbotsford, BC - V2S 7P6,

8.820 s Aug 30 2024 MiTek Industries, Inc. Thu Sep 12 02:48:30 2024 Page 1

ID:hFyjDMxrTsEK_kgkR0vWWVzFgC-RKb1x1MILlr4wQgB?wPsZ9?mpWNUVJK4oPf49VyeVql



Scale = 1:8.1

Plate Offsets (X,Y)-- [B:0-2-0,Edge]

LOADING (psf)	SPACING-	CSI.	DEFL.	in (loc)	l/defl	L/d	PLATES	GRIP
TCLL 25.0 (Roof Snow=25.0)	2-0-0 Plate Grip DOL 1.15	TC 0.06	Vert(LL)	n/a	-	n/a	MT20	197/144
TCDL 12.0	Lumber DOL 1.15	BC 0.23	Vert(CT)	n/a	-	n/a		
BCLL 0.0 *	Rep Stress Incr YES	WB 0.00	Horz(CT)	0.00	C	n/a		
BCDL 10.0	Code IBC2018/TPI2014	Matrix-P					Weight: 8 lb	FT = 20%

LUMBER-

TOP CHORD 2x4 SPF No.2
BOT CHORD 2x3 SPF No.2

BRACING-

TOP CHORD Structural wood sheathing directly applied or 4-4-0 oc purlins.
BOT CHORD Rigid ceiling directly applied or 10-0-0 oc bracing.

REACTIONS.

(size) A=4-4-0, C=4-4-0
Max Horz A=11(LC 10)
Max Uplift A=-13(LC 10), C=-13(LC 11)
Max Grav A=166(LC 16), C=166(LC 17)

FORCES. (lb) - Max. Comp./Max. Ten. - All forces 250 (lb) or less except when shown.

PRMU20240282 BLDG E

NOTES-

- 1) Wind: ASCE 7-16; Vult=115mph (3-second gust) Vasd=91mph; TCDL=4.2psf; BCDL=5.0psf; h=30ft; Ke=1.00; Cat. II; Exp B; Enclosed; MWFRS (envelope) gable end zone; cantilever left and right exposed; end vertical left and right exposed; Lumber DOL=1.33 plate grip DOL=1.33
- 2) TCLL: ASCE 7-16; Pf=25.0 psf (Lum DOL = 1.15 Plate DOL = 1.15); Is=1.0; Rough Cat B; Partially Exp.; Ce=1.0; Cs=1.00; Ct=1.10
- 3) Unbalanced snow loads have been considered for this design.
- 4) Gable requires continuous bottom chord bearing.
- 5) This truss has been designed for a 10.0 psf bottom chord live load nonconcurrent with any other live loads.
- 6) * This truss has been designed for a live load of 20.0psf on the bottom chord in all areas where a rectangle 3-6-0 tall by 2-0-0 wide will fit between the bottom chord and any other members.
- 7) Provide mechanical connection (by others) of truss to bearing plate capable of withstanding 100 lb uplift at joint(s) A, C.
- 8) This truss is designed in accordance with the 2018 International Building Code section 2306.1 and referenced standard ANSI/TPI 1.



September 12, 2024

WARNING - Verify design parameters and READ NOTES ON THIS AND INCLUDED MITEK REFERENCE PAGE MII-7473 rev. 6/30/2020 BEFORE USE.

Design valid for use only with MiTek® connectors. This design is based only upon parameters shown, and is for an individual building component, not a truss system. Before use, the building designer must verify the applicability of design parameters and properly incorporate this design into the overall building design. Bracing indicated is to prevent buckling of individual truss web and/or chord members only. Additional temporary and permanent bracing is always required for stability and to prevent collapse with possible personal injury and property damage. For general guidance regarding the fabrication, storage, delivery, erection and bracing of trusses and truss systems, see

Safety Information available from Truss Plate Institute, 2670 Crain Highway, Suite 203 Waldorf, MD 20601



240 Stirling Crescent
Bradford, ON. L3Z 4L5

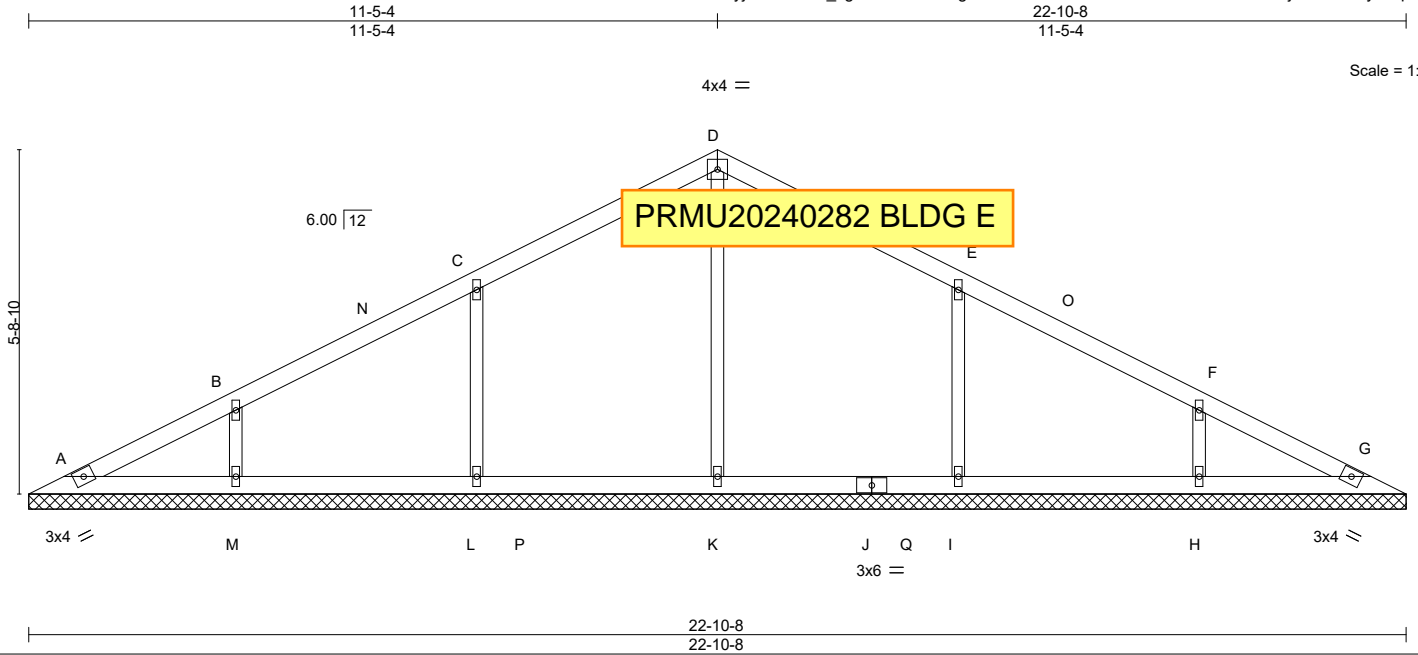
Job	Truss	Truss Type	Qty	Ply	Buildings A-H	U1530879
N0653A	VH1	Valley	20	1		

Alliance Truss (CA), Abbotsford, BC - V2S 7P6,

8.820 s Aug 30 2024 MiTek Industries, Inc. Thu Sep 12 02:48:31 2024 Page 1

ID:hFyjDMxrTsEK_kgkR0vWVvzFlgc-vW9P9NMw6czYaFOZew5VMYtmwk0EjuD13OdiyevQk

Job Reference (optional)



Scale = 1:38.3

LOADING (psf)	SPACING-	CSI.	DEFL.	PLATES	GRIP
TCLL 25.0	2-0-0	TC 0.30	in (loc) l/defl L/d	MT20	197/144
(Roof Snow=25.0)	Plate Grip DOL 1.15	BC 0.14	Vert(LL) n/a - n/a 999		
TCDL 12.0	Lumber DOL 1.15	WB 0.17	Vert(CT) n/a - n/a 999		
BCLL 0.0 *	Rep Stress Incr YES	Matrix-S	Horz(CT) 0.00 G n/a n/a		
BCDL 10.0	Code IBC2018/TPI2014			Weight: 65 lb	FT = 20%

LUMBER-

TOP CHORD 2x4 SPF No.2
 BOT CHORD 2x4 SPF No.2
 OTHERS 2x3 SPF No.2

BRACING-

TOP CHORD Structural wood sheathing directly applied or 6-0-0 oc purlins.
 BOT CHORD Rigid ceiling directly applied or 10-0-0 oc bracing.

REACTIONS.

All bearings 22-10-8.
 (lb) - Max Horz A=-71(LC 11)
 Max Uplift All uplift 100 lb or less at joint(s) A, L, M, I, H
 Max Grav All reactions 250 lb or less at joint(s) A, G except K=403(LC 3), L=551(LC 16), M=357(LC 2), I=551(LC 17), H=357(LC 2)

FORCES. (lb) - Max. Comp./Max. Ten. - All forces 250 (lb) or less except when shown.

WEBS C-L=-470/129, B-M=-271/106, E-I=-470/129, F-H=-271/106

NOTES-

- 1) Wind: ASCE 7-16; Vult=115mph (3-second gust) Vasd=91mph; TCDL=4.2psf; BCDL=5.0psf; h=30ft; Ke=1.00; Cat. II; Exp B; Enclosed; MWFRS (envelope) gable end zone; cantilever left and right exposed; end vertical left and right exposed; Lumber DOL=1.33 plate grip DOL=1.33
- 2) TCLL: ASCE 7-16; Pf=25.0 psf (Lum DOL = 1.15 Plate DOL = 1.15); Is=1.0; Rough Cat B; Partially Exp.; Ce=1.0; Cs=1.00; Ct=1.10
- 3) Unbalanced snow loads have been considered for this design.
- 4) All plates are 1.5x4 MT20 unless otherwise indicated.
- 5) Gable requires continuous bottom chord bearing.
- 6) This truss has been designed for a 10.0 psf bottom chord live load nonconcurrent with any other live loads.
- 7) * This truss has been designed for a live load of 20.0psf on the bottom chord in all areas where a rectangle 3-6-0 tall by 2-0-0 wide will fit between the bottom chord and any other members, with BCDL = 10.0psf.
- 8) Provide mechanical connection (by others) of truss to bearing plate capable of withstanding 100 lb uplift at joint(s) A, L, M, I, H.
- 9) This truss is designed in accordance with the 2018 International Building Code section 2306.1 and referenced standard ANSI/TPI 1.



September 12, 2024

WARNING - Verify design parameters and READ NOTES ON THIS AND INCLUDED MITEK REFERENCE PAGE MII-7473 rev. 6/30/2020 BEFORE USE.

Design valid for use only with MiTek® connectors. This design is based only upon parameters shown, and is for an individual building component, not a truss system. Before use, the building designer must verify the applicability of design parameters and properly incorporate this design into the overall building design. Bracing indicated is to prevent buckling of individual truss web and/or chord members only. Additional temporary and permanent bracing is always required for stability and to prevent collapse with possible personal injury and property damage. For general guidance regarding the fabrication, storage, delivery, erection and bracing of trusses and truss systems, see

ANSI/TPI1 Quality Criteria, DSB-89 and BCSI Building Component

Safety Information available from Truss Plate Institute, 2670 Crain Highway, Suite 203 Waldorf, MD 20601

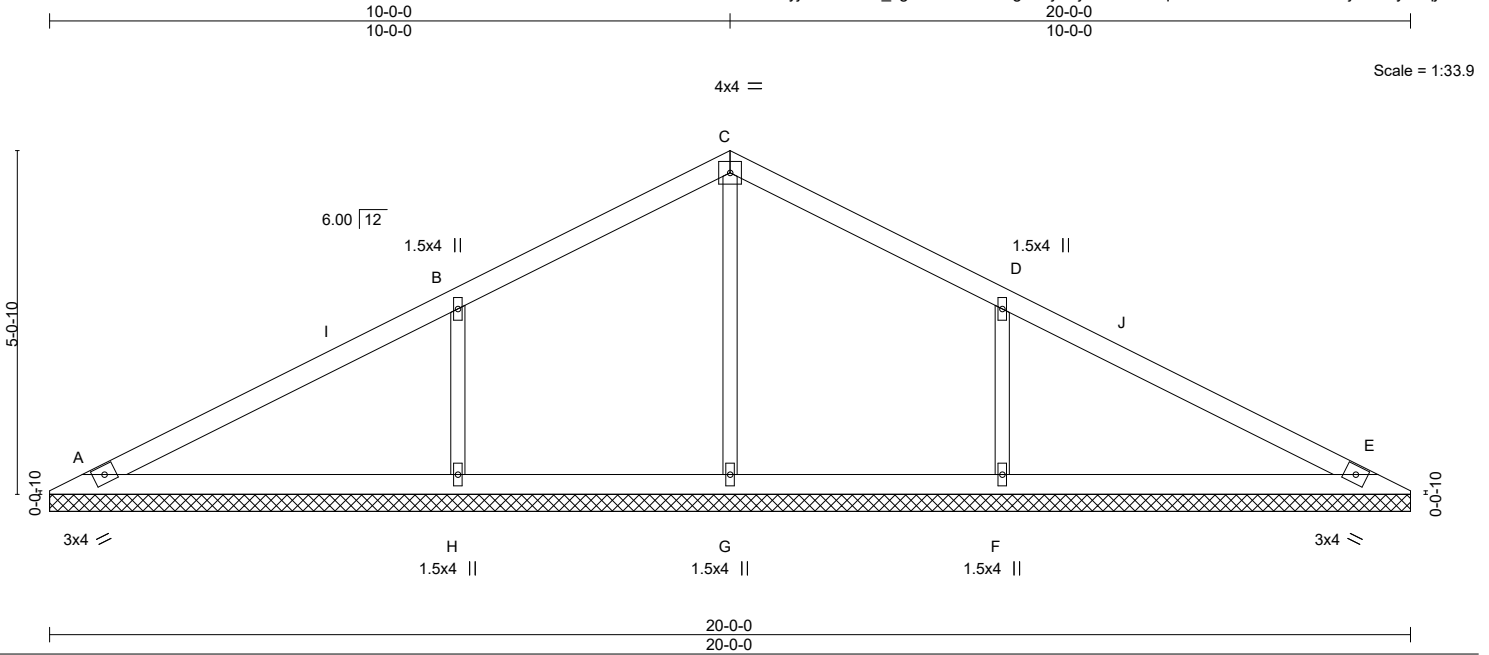


240 Stirling Crescent
 Bradford, ON. L3Z 4L5

Job N0653A	Truss VH2	Truss Type Valley	Qty 20	Ply 1	Buildings A-H Job Reference (optional)	U1530880
---------------	--------------	----------------------	-----------	----------	---	----------

Alliance Truss (CA), Abbotsford, BC - V2S 7P6,

8.820 s Aug 30 2024 MiTek Industries, Inc. Thu Sep 12 02:48:32 2024 Page 1
ID:hFyjDMxrTsEK_kgkR0vWWVzFlgc-NijnMJNYtw5oAkqa7LRK2a5?zK2GzAiNGj8BENyeVqj



LOADING (psf)	SPACING-	CSI.	DEFL.	PLATES	GRIP
TCLL 25.0 (Roof Snow=25.0)	2-0-0 Plate Grip DOL 1.15 Lumber DOL 1.15	TC 0.46 BC 0.21 WB 0.14 Matrix-S	in (loc) l/defl L/d Vert(LL) n/a - n/a 999 Vert(CT) n/a - n/a 999 Horz(CT) 0.00 E n/a n/a	MT20	197/144
TCDL 12.0 BCLL 0.0 * BCDL 10.0	Rep Stress Incr YES Code IBC2018/TPI2014			Weight: 55 lb	FT = 20%

LUMBER-
TOP CHORD 2x4 SPF No.2
BOT CHORD 2x4 SPF No.2
OTHERS 2x3 SPF No.2

BRACING-
TOP CHORD Structural wood sheathing directly applied or 6-0-0 oc purlins.
BOT CHORD Rigid ceiling directly applied or 10-0-0 oc bracing.

REACTIONS. All bearings 20-0-0.
(lb) - Max Horz A=62(LC 14)
Max Uplift All uplift 100 lb or less at joint(s) A, E except H=-117(LC 10), F=-117(LC 11)
Max Grav All reactions 250 lb or less at joint(s) A, E, G except H=704(LC 16), F=704(LC 17)

FORCES. (lb) - Max. Comp./Max. Ten. - All forces 250 (lb) or less except when shown.
WEBS B-H=-572/165, D-F=-573/165

- NOTES-**
- 1) Wind: ASCE 7-16; Vult=115mph (3-second gust) Vasd=91mph; TCDL=4.2psf; BCDL=5.0psf; h=30ft; Ke=1.00; Cat. II; Exp B; Enclosed; MWFRS (envelope) gable end zone; cantilever left and right exposed; end vertical left and right exposed; Lumber DOL=1.33 plate grip DOL=1.33
 - 2) TCLL: ASCE 7-16; Pf=25.0 psf (Lum DOL = 1.15 Plate DOL = 1.15); Is=1.0; Rough Cat B; Partially Exp.; Ce=1.0; Cs=1.00; Ct=1.10
 - 3) Unbalanced snow loads have been considered for this design.
 - 4) Gable requires continuous bottom chord bearing.
 - 5) This truss has been designed for a 10.0 psf bottom chord live load nonconcurrent with any other live loads.
 - 6) * This truss has been designed for a live load of 20.0psf on the bottom chord in all areas where a rectangle 3-6-0 tall by 2-0-0 wide will fit between the bottom chord and any other members.
 - 7) Provide mechanical connection (by others) of truss to bearing plate capable of withstanding 100 lb uplift at joint(s) A, E except (jt=lb) H=117, F=117.
 - 8) This truss is designed in accordance with the 2018 International Building Code section 2306.1 and referenced standard ANSI/TPI 1.

PRMU20240282 BLDG E



September 12, 2024

WARNING - Verify design parameters and READ NOTES ON THIS AND INCLUDED MITEK REFERENCE PAGE MII-7473 rev. 6/30/2020 BEFORE USE.

Design valid for use only with MiTek® connectors. This design is based only upon parameters shown, and is for an individual building component, not a truss system. Before use, the building designer must verify the applicability of design parameters and properly incorporate this design into the overall building design. Bracing indicated is to prevent buckling of individual truss web and/or chord members only. Additional temporary and permanent bracing is always required for stability and to prevent collapse with possible personal injury and property damage. For general guidance regarding the fabrication, storage, delivery, erection and bracing of trusses and truss systems, see

Safety Information available from Truss Plate Institute, 2670 Crain Highway, Suite 203 Waldorf, MD 20601
ANSI/TPI1 Quality Criteria, DSB-89 and BCSI Building Component



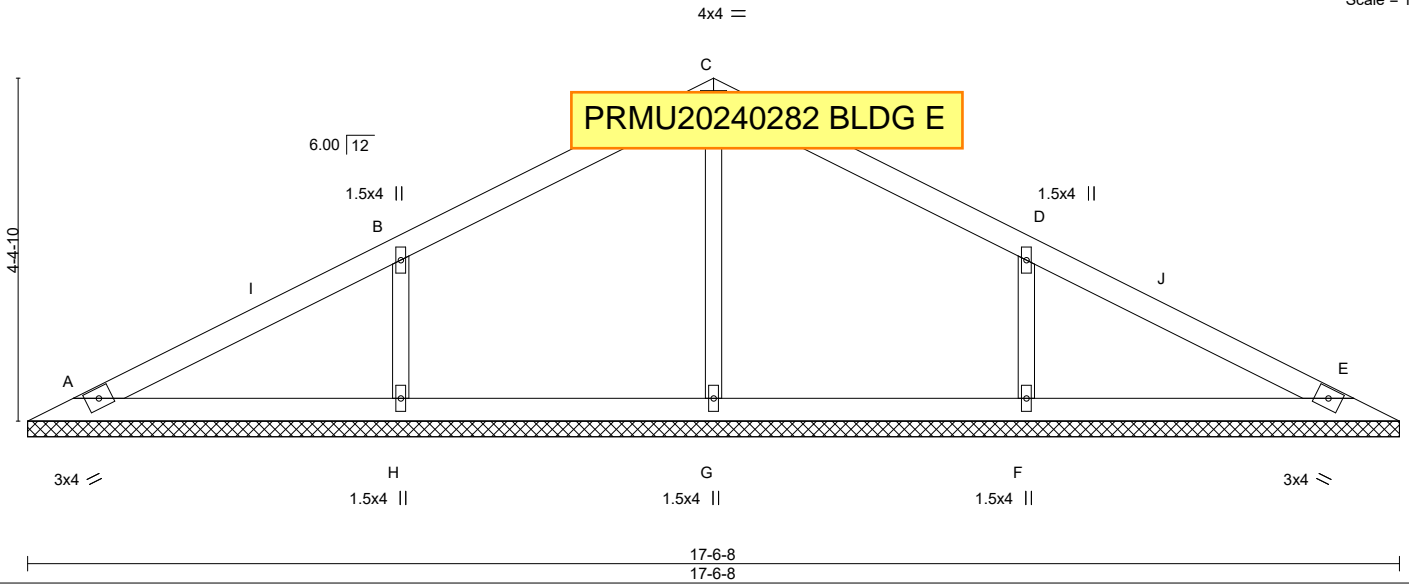
240 Stirling Crescent
Bradford, ON. L3Z 4L5

Job N0653A	Truss VH3	Truss Type Valley	Qty 20	Ply 1	Buildings A-H Job Reference (optional)	U1530881
---------------	--------------	----------------------	-----------	----------	---	----------

Alliance Truss (CA), Abbotsford, BC - V2S 7P6,

8.820 s Aug 30 2024 MiTek Industries, Inc. Thu Sep 12 02:48:32 2024 Page 1
ID:hFyjDMxrTsEK_kgkR0vWwVzF1gc-NijnMjNYtw5oAkqa7LRK2a51sK4bzBGNj8BENyeVqj
17-6-8
8-9-4

Scale = 1:29.5



LOADING (psf)	SPACING-	CSI.	DEFL.	PLATES	GRIP
TCLL 25.0 (Roof Snow=25.0)	2-0-0 Plate Grip DOL 1.15 Lumber DOL 1.15	TC 0.34 BC 0.12 WB 0.10 Matrix-S	in (loc) l/defl L/d Vert(LL) n/a - n/a 999 Vert(CT) n/a - n/a 999 Horz(CT) 0.00 E n/a n/a	MT20	197/144
TCDL 12.0 BCLL 0.0 * BCDL 10.0	Rep Stress Incr YES Code IBC2018/TPI2014			Weight: 47 lb	FT = 20%

LUMBER-

TOP CHORD 2x4 SPF No.2
BOT CHORD 2x4 SPF No.2
OTHERS 2x3 SPF No.2

BRACING-

TOP CHORD Structural wood sheathing directly applied or 6-0-0 oc purlins.
BOT CHORD Rigid ceiling directly applied or 10-0-0 oc bracing.

REACTIONS.

All bearings 17-6-8.

(lb) - Max Horz A=53(LC 10)

Max Uplift All uplift 100 lb or less at joint(s) A, E, H, F

Max Grav All reactions 250 lb or less at joint(s) A, E except G=298(LC 16), H=604(LC 16), F=604(LC 17)

FORCES. (lb) - Max. Comp./Max. Ten. - All forces 250 (lb) or less except when shown.

WEBS B-H=-502/139, D-F=-502/139

NOTES-

- 1) Wind: ASCE 7-16; Vult=115mph (3-second gust) Vasd=91mph; TCDL=4.2psf; BCDL=5.0psf; h=30ft; Ke=1.00; Cat. II; Exp B; Enclosed; MWFRS (envelope) gable end zone; cantilever left and right exposed; end vertical left and right exposed; Lumber DOL=1.33 plate grip DOL=1.33
- 2) TCLL: ASCE 7-16; Pf=25.0 psf (Lum DOL = 1.15 Plate DOL = 1.15); Is=1.0; Rough Cat B; Partially Exp.; Ce=1.0; Cs=1.00; Ct=1.10
- 3) Unbalanced snow loads have been considered for this design.
- 4) Gable requires continuous bottom chord bearing.
- 5) This truss has been designed for a 10.0 psf bottom chord live load nonconcurrent with any other live loads.
- 6) * This truss has been designed for a live load of 20.0psf on the bottom chord in all areas where a rectangle 3-6-0 tall by 2-0-0 wide will fit between the bottom chord and any other members.
- 7) Provide mechanical connection (by others) of truss to bearing plate capable of withstanding 100 lb uplift at joint(s) A, E, H, F.
- 8) This truss is designed in accordance with the 2018 International Building Code section 2306.1 and referenced standard ANSI/TPI 1.



September 12, 2024

WARNING - Verify design parameters and READ NOTES ON THIS AND INCLUDED MITEK REFERENCE PAGE MII-7473 rev. 6/30/2020 BEFORE USE.

Design valid for use only with MiTek® connectors. This design is based only upon parameters shown, and is for an individual building component, not a truss system. Before use, the building designer must verify the applicability of design parameters and properly incorporate this design into the overall building design. Bracing indicated is to prevent buckling of individual truss web and/or chord members only. Additional temporary and permanent bracing is always required for stability and to prevent collapse with possible personal injury and property damage. For general guidance regarding the fabrication, storage, delivery, erection and bracing of trusses and truss systems, see

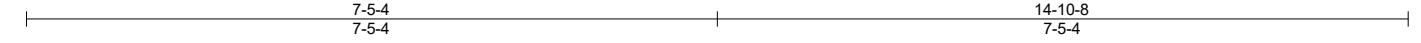
Safety Information available from Truss Plate Institute, 2670 Crain Highway, Suite 203 Waldorf, MD 20601



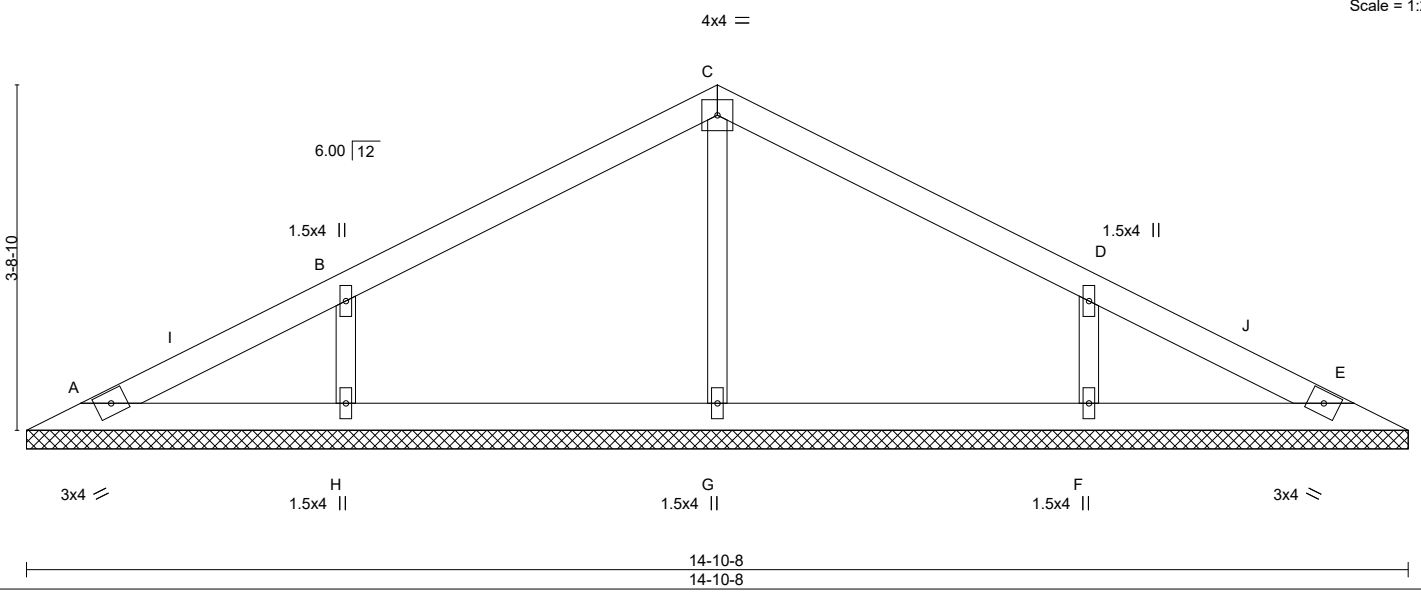
240 Stirling Crescent
Bradford, ON. L3Z 4L5

Job	Truss	Truss Type	Qty	Ply	Buildings A-H	U1530882
N0653A	VH4	Valley	20	1		

Alliance Truss (CA), Abbotsford, BC - V2S 7P6, 8.820 s Aug 30 2024 MiTek Industries, Inc. Thu Sep 12 02:48:33 2024 Page 1
 ID:hFyjDMxrTsEK_kgkR0vWWVzFjgc-rvHAa3OAeDDfntPmg3yZbndDekQBieoWUNtkmqyeVqi



Scale = 1:24.8



LOADING (psf)	SPACING-	CSI.	DEFL.	PLATES	GRIP
TCLL 25.0 (Roof Snow=25.0)	2-0-0	TC 0.28	in (loc) l/defl L/d	MT20	197/144
TCDL 12.0	Plate Grip DOL 1.15	BC 0.10	Vert(LL) n/a - n/a 999		
BCLL 0.0 *	Lumber DOL 1.15	WB 0.08	Vert(CT) n/a - n/a 999		
BCDL 10.0	Rep Stress Incr YES	Matrix-S	Horz(CT) 0.00 E n/a n/a	Weight: 39 lb	FT = 20%
	Code IBC2018/TPI2014				

LUMBER-	BRACING-
TOP CHORD 2x4 SPF No.2	TOP CHORD Structural wood sheathing directly applied or 6-0-0 oc purlins.
BOT CHORD 2x4 SPF No.2	BOT CHORD Rigid ceiling directly applied or 10-0-0 oc bracing.
OTHERS 2x3 SPF No.2	

REACTIONS. All bearings 14-10-8.
 (lb) - Max Horz A=-45(LC 11)
 Max Uplift All uplift 100 lb or less at joint(s) A, H, F
 Max Grav All reactions 250 lb or less at joint(s) A, E except G=326(LC 16), H=526(LC 16), F=526(LC 17)

FORCES. (lb) - Max. Comp./Max. Ten. - All forces 250 (lb) or less except when shown.
 WEBS B-H=-449/119, D-F=-449/119

- NOTES-**
- 1) Wind: ASCE 7-16; Vult=115mph (3-second gust) Vasd=91mph; TCDL=4.2psf; BCDL=5.0psf; h=30ft; Ke=1.00; Cat. II; Exp 1 Enclosed; MWFRS (envelope) gable end zone; cantilever left and right exposed; end vertical left and right exposed; Lumber DOL=1.33 plate grip DOL=1.33
 - 2) TCLL: ASCE 7-16; Pf=25.0 psf (Lum DOL = 1.15 Plate DOL = 1.15); Is=1.0; Rough Cat B; Partially Exp.; Ce=1.0; Cs=1.00; Ct=1.10
 - 3) Unbalanced snow loads have been considered for this design.
 - 4) Gable requires continuous bottom chord bearing.
 - 5) This truss has been designed for a 10.0 psf bottom chord live load nonconcurrent with any other live loads.
 - 6) * This truss has been designed for a live load of 20.0psf on the bottom chord in all areas where a rectangle 3-6-0 tall by 2-0-0 wide will fit between the bottom chord and any other members.
 - 7) Provide mechanical connection (by others) of truss to bearing plate capable of withstanding 100 lb uplift at joint(s) A, H, F.
 - 8) This truss is designed in accordance with the 2018 International Building Code section 2306.1 and referenced standard ANSI/TPI 1.

PRMU20240282 BLDG E



September 12, 2024

Job	Truss	Truss Type	Qty	Ply	Buildings A-H	U1530883
N0653A	VH5	GABLE	20	1		

Alliance Truss (CA), Abbotsford, BC - V2S 7P6,

8.820 s Aug 30 2024 MiTek Industries, Inc. Thu Sep 12 02:48:33 2024 Page 1

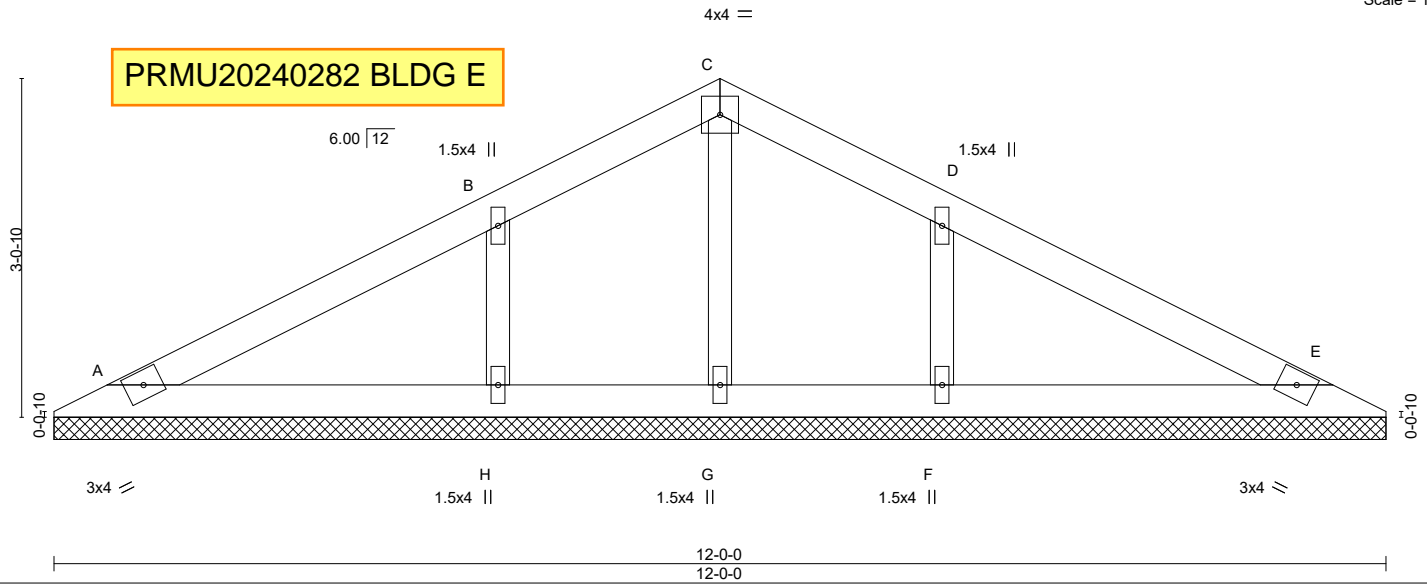
ID:hFyjDMxrTsEK_kgkR0vWWWzFfgc-rvHAa3OAeDDfntPmg3yZbndEOkQRiexWUNtkmqyeVqi

Job Reference (optional)

12-0-0

6-0-0

Scale = 1:20.8



LOADING (psf)	SPACING-	CSI.	DEFL.	PLATES	GRIP
TCLL 25.0	2-0-0	TC 0.23	in (loc) l/defl L/d	MT20	197/144
(Roof Snow=25.0)	Plate Grip DOL 1.15	BC 0.08	Vert(LL) n/a - n/a 999		
TCDL 12.0	Lumber DOL 1.15	WB 0.07	Vert(CT) n/a - n/a 999		
BCLL 0.0 *	Rep Stress Incr YES	Matrix-S	Horz(CT) 0.00 E n/a n/a		
BCDL 10.0	Code IBC2018/TPI2014			Weight: 32 lb	FT = 20%

LUMBER-

TOP CHORD 2x4 SPF No.2
 BOT CHORD 2x4 SPF No.2
 OTHERS 2x3 SPF No.2

BRACING-

TOP CHORD Structural wood sheathing directly applied or 6-0-0 oc purlins.
 BOT CHORD Rigid ceiling directly applied or 10-0-0 oc bracing.

REACTIONS.

All bearings 12-0-0.
 (lb) - Max Horz A=36(LC 14)
 Max Uplift All uplift 100 lb or less at joint(s) A, E, H, F
 Max Grav All reactions 250 lb or less at joint(s) A, E, G except H=483(LC 16), F=483(LC 17)

FORCES. (lb) - Max. Comp./Max. Ten. - All forces 250 (lb) or less except when shown.
 WEBS B-H=-391/99, D-F=-391/99

NOTES-

- 1) Wind: ASCE 7-16; Vult=115mph (3-second gust) Vasd=91mph; TCDL=4.2psf; BCDL=5.0psf; h=30ft; Ke=1.00; Cat. II; Exp B; Enclosed; MWFRS (envelope) gable end zone; cantilever left and right exposed; end vertical left and right exposed; Lumber DOL=1.33 plate grip DOL=1.33
- 2) TCLL: ASCE 7-16; Pf=25.0 psf (Lum DOL = 1.15 Plate DOL = 1.15); Is=1.0; Rough Cat B; Partially Exp.; Ce=1.0; Cs=1.00; Ct=1.10
- 3) Unbalanced snow loads have been considered for this design.
- 4) Gable requires continuous bottom chord bearing.
- 5) This truss has been designed for a 10.0 psf bottom chord live load nonconcurrent with any other live loads.
- 6) * This truss has been designed for a live load of 20.0psf on the bottom chord in all areas where a rectangle 3-6-0 tall by 2-0-0 wide will fit between the bottom chord and any other members.
- 7) Provide mechanical connection (by others) of truss to bearing plate capable of withstanding 100 lb uplift at joint(s) A, E, H, F.
- 8) This truss is designed in accordance with the 2018 International Building Code section 2306.1 and referenced standard ANSI/TPI 1.



September 12, 2024

WARNING - Verify design parameters and READ NOTES ON THIS AND INCLUDED MITEK REFERENCE PAGE MII-7473 rev. 6/30/2020 BEFORE USE.

Design valid for use only with MiTek® connectors. This design is based only upon parameters shown, and is for an individual building component, not a truss system. Before use, the building designer must verify the applicability of design parameters and properly incorporate this design into the overall building design. Bracing indicated is to prevent buckling of individual truss web and/or chord members only. Additional temporary and permanent bracing is always required for stability and to prevent collapse with possible personal injury and property damage. For general guidance regarding the fabrication, storage, delivery, erection and bracing of trusses and truss systems, see

Safety Information available from Truss Plate Institute, 2670 Crain Highway, Suite 203 Waldorf, MD 20601

ANSI/TPI1 Quality Criteria, DSB-89 and BCSI Building Component



240 Stirling Crescent
 Bradford, ON. L3Z 4L5

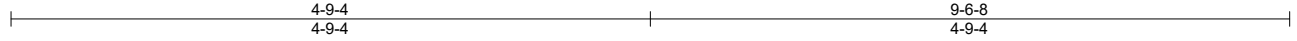
Job	Truss	Truss Type	Qty	Ply	Buildings A-H	U1530884
N0653A	VH6	Valley	20	1		

Alliance Truss (CA), Abbotsford, BC - V2S 7P6,

8.820 s Aug 30 2024 MiTek Industries, Inc. Thu Sep 12 02:48:34 2024 Page 1

ID:hFyjDMxrTsEK_kgkR0vWVzFfgc-K5qYnOPpPXMWP1_zEmTo7?AM08jdR6Lgj1dHIGyeVqh

Job Reference (optional)



Scale = 1:17.2

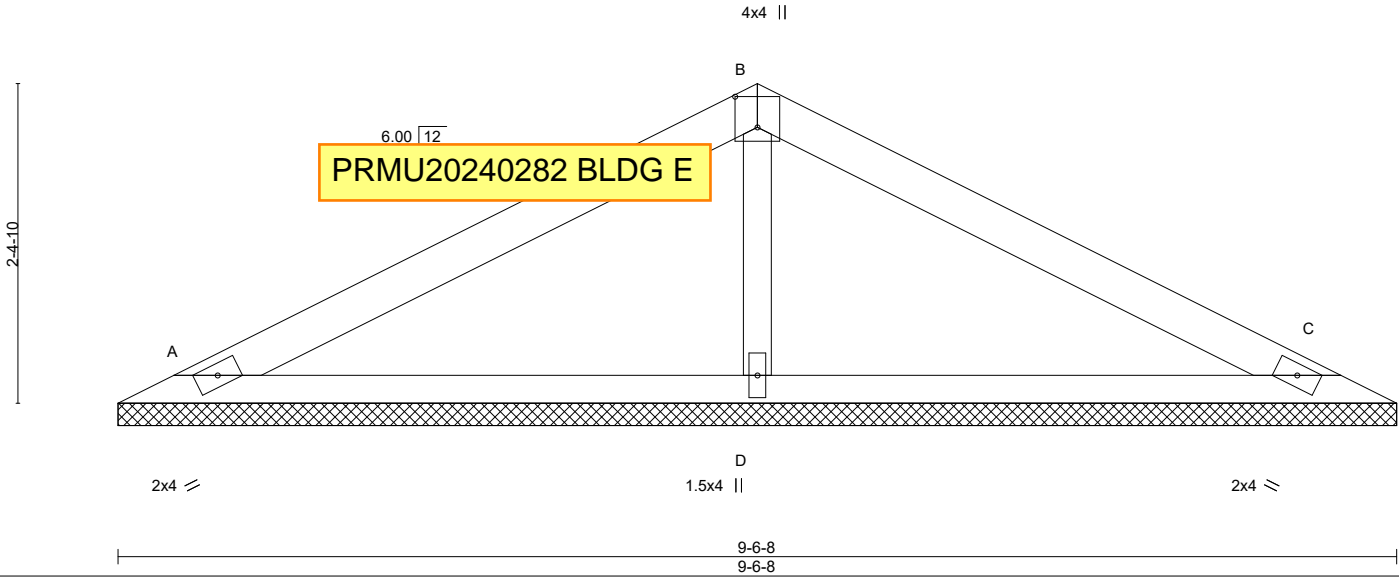


Plate Offsets (X,Y)-- [B:0-2-12,0-2-0]

LOADING (psf)		SPACING-		CSI.		DEFL.				PLATES	GRIP	
TCLL	25.0	Plate Grip DOL	1.15	TC	0.41	Vert(LL)	n/a	-	n/a	999	MT20	197/144
(Roof Snow=25.0)		Lumber DOL	1.15	BC	0.28	Vert(CT)	n/a	-	n/a	999		
TCDL	12.0	Rep Stress Incr	YES	WB	0.06	Horz(CT)	0.00	C	n/a	n/a		
BCLL	0.0 *	Code IBC2018/TPI2014		Matrix-S							Weight: 20 lb	FT = 20%
BCDL	10.0											

LUMBER-

TOP CHORD 2x4 SPF No.2
 BOT CHORD 2x3 SPF No.2
 OTHERS 2x3 SPF No.2

BRACING-

TOP CHORD Structural wood sheathing directly applied or 6-0-0 oc purlins.
 BOT CHORD Rigid ceiling directly applied or 10-0-0 oc bracing.

REACTIONS.

(size) A=9-6-8, C=9-6-8, D=9-6-8
 Max Horz A=-28(LC 15)
 Max Uplift A=-27(LC 10), C=-33(LC 11), D=-12(LC 10)
 Max Grav A=262(LC 16), C=262(LC 17), D=424(LC 16)

FORCES. (lb) - Max. Comp./Max. Ten. - All forces 250 (lb) or less except when shown.
 WEBS B-D=-309/57

NOTES-

- Wind: ASCE 7-16; Vult=115mph (3-second gust) Vasd=91mph; TCDL=4.2psf; BCDL=5.0psf; h=30ft; Ke=1.00; Cat. II; Exp B; Enclosed; MWFRS (envelope) gable end zone; cantilever left and right exposed; end vertical left and right exposed; Lumber DOL=1.33 plate grip DOL=1.33
- TCLL: ASCE 7-16; Pf=25.0 psf (Lum DOL = 1.15 Plate DOL = 1.15); Is=1.0; Rough Cat B; Partially Exp.; Ce=1.0; Cs=1.00; Ct=1.10
- Unbalanced snow loads have been considered for this design.
- Gable requires continuous bottom chord bearing.
- This truss has been designed for a 10.0 psf bottom chord live load nonconcurrent with any other live loads.
- * This truss has been designed for a live load of 20.0psf on the bottom chord in all areas where a rectangle 3-6-0 tall by 2-0-0 wide will fit between the bottom chord and any other members.
- Provide mechanical connection (by others) of truss to bearing plate capable of withstanding 100 lb uplift at joint(s) A, C, D.
- This truss is designed in accordance with the 2018 International Building Code section 2306.1 and referenced standard ANSI/TPI 1.



September 12, 2024

WARNING - Verify design parameters and READ NOTES ON THIS AND INCLUDED MITEK REFERENCE PAGE MII-7473 rev. 6/30/2020 BEFORE USE.

Design valid for use only with MiTek® connectors. This design is based only upon parameters shown, and is for an individual building component, not a truss system. Before use, the building designer must verify the applicability of design parameters and properly incorporate this design into the overall building design. Bracing indicated is to prevent buckling of individual truss web and/or chord members only. Additional temporary and permanent bracing is always required for stability and to prevent collapse with possible personal injury and property damage. For general guidance regarding the fabrication, storage, delivery, erection and bracing of trusses and truss systems, see

Safety Information available from Truss Plate Institute, 2670 Crain Highway, Suite 203 Waldorf, MD 20601

ANSI/TPI1 Quality Criteria, DSB-89 and BCSI Building Component



240 Stirling Crescent
 Bradford, ON. L3Z 4L5

Job	Truss	Truss Type	PRMU20240282 BLDG E		U1530885
N0653A	VH7	Valley	20		Job Reference (optional)

Alliance Truss (CA), Abbotsford, BC - V2S 7P6,

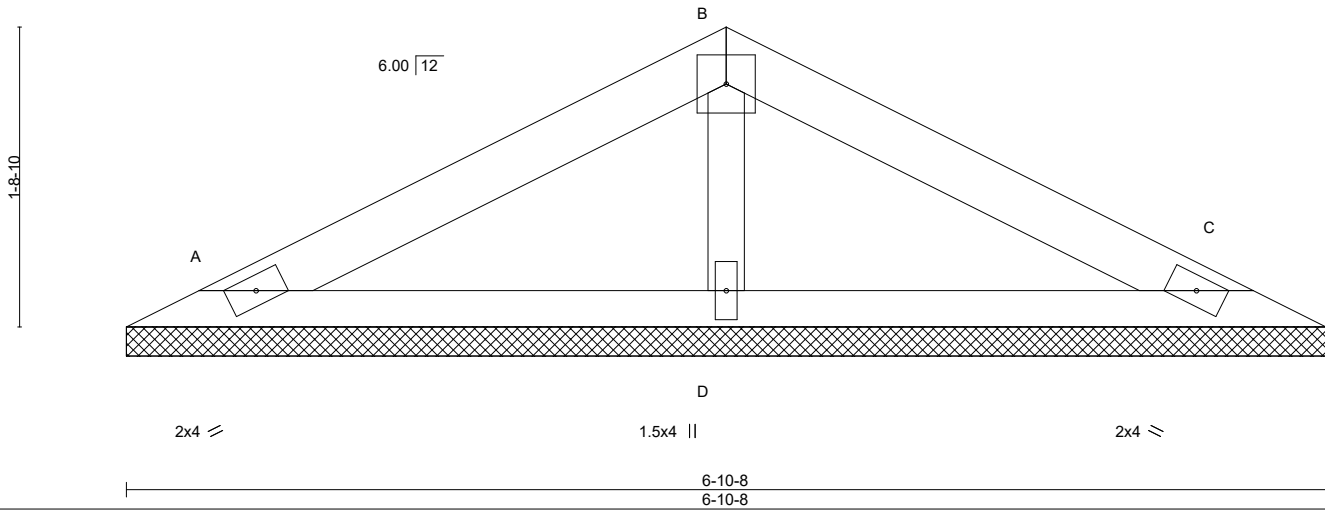
8.820 s Aug 30 2024 MiTek Industries, Inc. Thu Sep 12 02:48:34 2024 Page 1

ID:hFyjDMxrTsEK_kgkR0vWWVzFfgc-K5qYnOPpPXMWP1_zEmTo7?APH8IIR6mgj1dHIGyeVqh

3-5-4
3-5-4

6-10-8
3-5-4

Scale = 1:13.2



LOADING (psf)	SPACING-	CSI.	DEFL.	PLATES	GRIP
TCLL 25.0 (Roof Snow=25.0)	2-0-0 Plate Grip DOL 1.15 Lumber DOL 1.15	TC 0.22 BC 0.14 WB 0.04 Matrix-P	in (loc) l/defl L/d Vert(LL) n/a - n/a 999 Vert(CT) n/a - n/a 999 Horz(CT) 0.00 C n/a n/a	MT20	197/144
TCDL 12.0 BCLL 0.0 * BCDL 10.0	Rep Stress Incr YES Code IBC2018/TPI2014			Weight: 14 lb	FT = 20%

LUMBER-

TOP CHORD 2x4 SPF No.2
BOT CHORD 2x3 SPF No.2
OTHERS 2x3 SPF No.2

BRACING-

TOP CHORD Structural wood sheathing directly applied or 6-0-0 oc purlins.
BOT CHORD Rigid ceiling directly applied or 10-0-0 oc bracing.

REACTIONS.

(size) A=6-10-8, C=6-10-8, D=6-10-8
Max Horz A=-19(LC 15)
Max Uplift A=-23(LC 10), C=-27(LC 11)
Max Grav A=183(LC 16), C=183(LC 17), D=264(LC 1)

FORCES. (lb) - Max. Comp./Max. Ten. - All forces 250 (lb) or less except when shown.

NOTES-

- 1) Wind: ASCE 7-16; Vult=115mph (3-second gust) Vasd=91mph; TCDL=4.2psf; BCDL=5.0psf; h=30ft; Ke=1.00; Cat. II; Exp B; Enclosed; MWFRS (envelope) gable end zone; cantilever left and right exposed; end vertical left and right exposed; Lumber DOL=1.33 plate grip DOL=1.33
- 2) TCLL: ASCE 7-16; Pf=25.0 psf (Lum DOL = 1.15 Plate DOL = 1.15); Is=1.0; Rough Cat B; Partially Exp.; Ce=1.0; Cs=1.00; Ct=1.10
- 3) Unbalanced snow loads have been considered for this design.
- 4) Gable requires continuous bottom chord bearing.
- 5) This truss has been designed for a 10.0 psf bottom chord live load nonconcurrent with any other live loads.
- 6) * This truss has been designed for a live load of 20.0psf on the bottom chord in all areas where a rectangle 3-6-0 tall by 2-0-0 wide will fit between the bottom chord and any other members.
- 7) Provide mechanical connection (by others) of truss to bearing plate capable of withstanding 100 lb uplift at joint(s) A, C.
- 8) This truss is designed in accordance with the 2018 International Building Code section 2306.1 and referenced standard ANSI/TPI 1.



September 12, 2024

WARNING - Verify design parameters and READ NOTES ON THIS AND INCLUDED MITEK REFERENCE PAGE MII-7473 rev. 6/30/2020 BEFORE USE.

Design valid for use only with MiTek® connectors. This design is based only upon parameters shown, and is for an individual building component, not a truss system. Before use, the building designer must verify the applicability of design parameters and properly incorporate this design into the overall building design. Bracing indicated is to prevent buckling of individual truss web and/or chord members only. Additional temporary and permanent bracing is always required for stability and to prevent collapse with possible personal injury and property damage. For general guidance regarding the fabrication, storage, delivery, erection and bracing of trusses and truss systems, see

ANSI/TPI1 Quality Criteria, DSB-89 and BCSI Building Component

Safety Information available from Truss Plate Institute, 2670 Crain Highway, Suite 203 Waldorf, MD 20601



240 Stirling Crescent
Bradford, ON. L3Z 4L5

Job	Truss	Truss Type	Qty	Ply	Buildings A-H	U1530886
N0653A	VH8	Valley	20	1		

Alliance Truss (CA), Abbotsford, BC - V2S 7P6,

8.820 s Aug 30 2024 MiTek Industries, Inc. Thu Sep 12 02:48:34 2024 Page 1

ID:hFyjDMxrTsEK_kgkR0vWWVzFlgc-K5qYnOPpPXMWP1_zEmTo7?ASu8khR6Jg1dHIGyeVqh

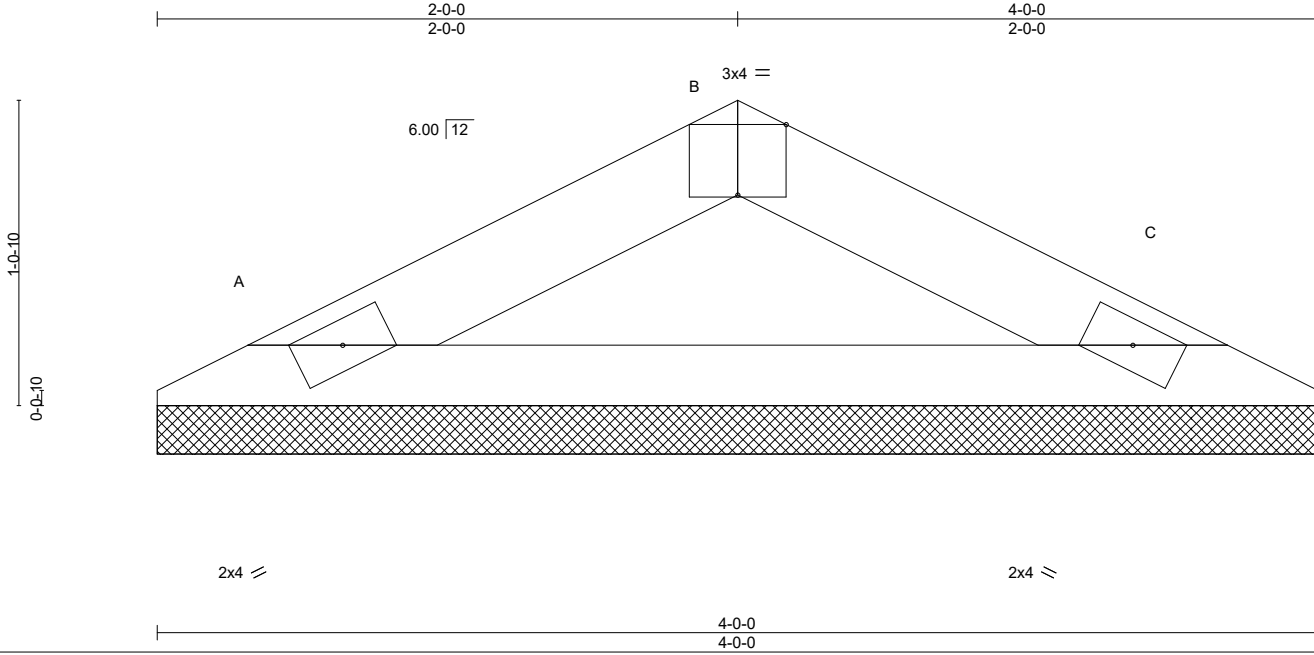


Plate Offsets (X,Y)-- [B:0-2-0,Edge]

LOADING (psf)	SPACING-	CSI.	DEFL.	in (loc)	l/defl	L/d	PLATES	GRIP
TCLL 25.0 (Roof Snow=25.0)	2-0-0 Plate Grip DOL 1.15	TC 0.05	Vert(LL)	n/a	-	n/a	MT20	197/144
TCDL 12.0	Lumber DOL 1.15	BC 0.21	Vert(CT)	n/a	-	n/a		
BCLL 0.0 *	Rep Stress Incr YES	WB 0.00	Horz(CT)	0.00	C	n/a		
BCDL 10.0	Code IBC2018/TPI2014	Matrix-P					Weight: 8 lb	FT = 20%

LUMBER-	BRACING-
TOP CHORD 2x4 SPF No.2	TOP CHORD Structural wood sheathing directly applied or 4-2-8 oc purlins.
BOT CHORD 2x3 SPF No.2	BOT CHORD Rigid ceiling directly applied or 10-0-0 oc bracing.

REACTIONS. (size) A=4-0-0, C=4-0-0
 Max Horz A=-10(LC 15)
 Max Uplift A=-12(LC 10), C=-12(LC 11)
 Max Grav A=159(LC 16), C=159(LC 17)

FORCES. (lb) - Max. Comp./Max. Ten. - All forces 250 (lb) or less except when shown.

- NOTES-**
- 1) Wind: ASCE 7-16; Vult=115mph (3-second gust) Vasd=91mph; TCDL=4.2psf; BCDL=5.0psf; h=30ft; Ke=1.00; Cat. II; Exp B; Enclosed; MWFRS (envelope) gable end zone; cantilever left and right exposed ; end vertical left and right exposed; Lumber DOL=1.33 plate grip DOL=1.33
 - 2) TCLL: ASCE 7-16; Pf=25.0 psf (Lum DOL = 1.15 Plate DOL = 1.15); Is=1.0; Rough Cat B; Partially Exp.; Ce=1.0; Cs=1.00; Ct=1.10
 - 3) Unbalanced snow loads have been considered for this design.
 - 4) Gable requires continuous bottom chord bearing.
 - 5) This truss has been designed for a 10.0 psf bottom chord live load nonconcurrent with any other live loads.
 - 6) * This truss has been designed for a live load of 20.0psf on the bottom chord in all areas where a rectangle 3-6-0 tall by 2-0-0 wide will fit between the bottom chord and any other members.
 - 7) Provide mechanical connection (by others) of truss to bearing plate capable of withstanding 100 lb uplift at joint(s) A, C.
 - 8) This truss is designed in accordance with the 2018 International Building Code section 2306.1 and referenced standard ANSI/TPI 1.



September 12, 2024

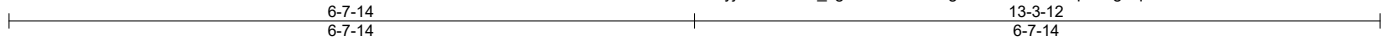
Job	Truss	Truss Type	Qty	Ply	Buildings A-H	U1530806
N0653A	VR1	Valley	1	1		

Alliance Truss (CA), Abbotsford, BC - V2S 7P6,

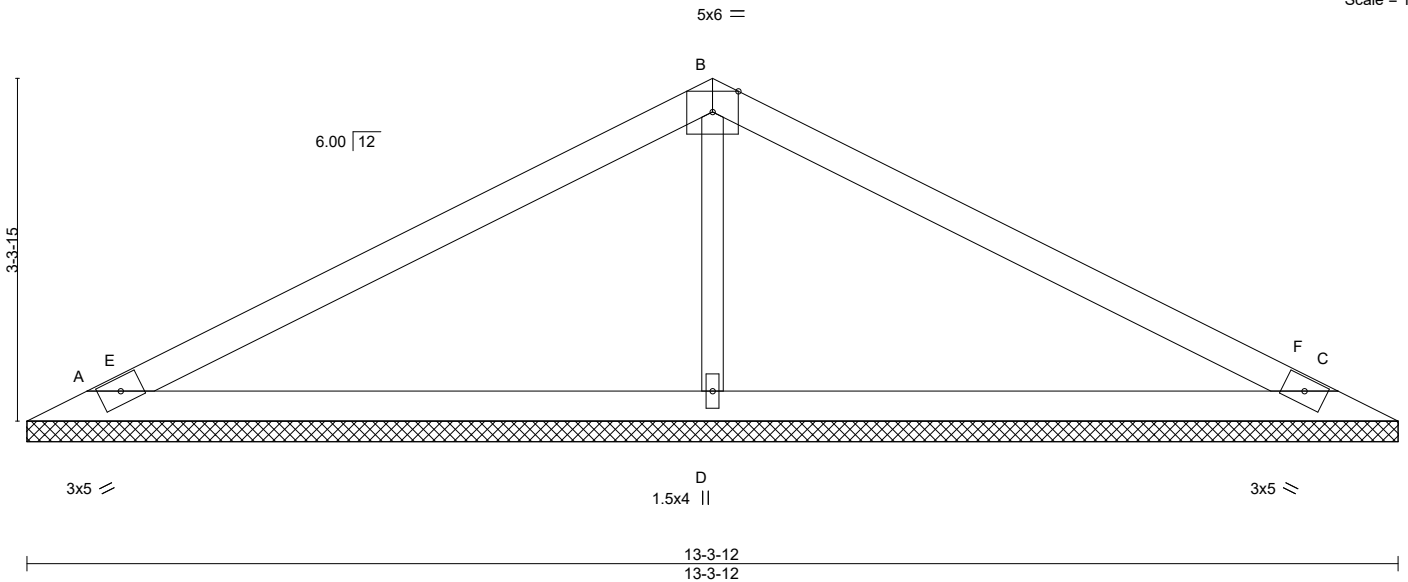
8.630 s Jul 12 2024 MiTek Industries, Inc. Thu Sep 12 02:47:48 2024 Page 1

ID:hFyjDMxrTsEK_kgkR0vWWVzFgC-RfC?PsB70Hq3NSgPqnL8w3ulTXbGKWrCDoi7J4zJC?f

Job Reference (optional)



Scale = 1:22.4



LOADING (psf)	SPACING-	CSI.	DEFL.	in (loc)	l/defl	L/d	PLATES	GRIP
TCLL 25.0	2-0-0	TC 0.83	Vert(LL)	n/a	-	n/a	MT20	197/144
(Roof Snow=25.0)	Plate Grip DOL 1.15	BC 0.32	Vert(CT)	n/a	-	n/a		
TCDL 12.0	Lumber DOL 1.15	WB 0.11	Horz(CT)	0.00	C	n/a		
BCLL 0.0 *	Rep Stress Incr YES	Matrix-S						
BCDL 10.0	Code IBC2018/TPI2014						Weight: 33 lb	FT = 20%

LUMBER-

TOP CHORD 2x4 SPF No.2
 BOT CHORD 2x4 SPF No.2
 OTHERS 2x3 SPF No.2

BRACING-

TOP CHORD Structural wood sheathing directly applied or 4-8-11 oc purlins.
 BOT CHORD Rigid ceiling directly applied or 10-0-0 oc bracing.

REACTIONS.

(size) A=13-3-12, C=13-3-12, D=13-3-12
 Max Horz A=-39(LC 11)
 Max Uplift A=-38(LC 10), C=-45(LC 11), D=-18(LC 10)
 Max Grav A=365(LC 16), C=365(LC 17), D=610(LC 17)

FORCES. (lb) - Max. Comp./Max. Ten. - All forces 250 (lb) or less except when shown.
 WEBS B-D=-425/79

NOTES-

- 1) Wind: ASCE 7-16; Vult=115mph (3-second gust) Vasd=91mph; TCDL=4.2psf; BCDL=5.0psf; h=30ft; Ke=1.00; Cat. II; Exp B; Enclosed; MWFRS (envelope) gable end zone; cantilever left and right exposed; end vertical left and right exposed; Lumber DOL=1.33 plate grip DOL=1.33
- 2) TCLL: ASCE 7-16; Pf=25.0 psf (Lum DOL=1.15 Plate DOL=1.15); Is=1.0; Rough Cat B; Partially Exp.; Ce=1.0; Cs=1.0; Ct=1.10
- 3) Unbalanced snow loads have been considered for this design.
- 4) Gable requires continuous bottom chord bearing.
- 5) This truss has been designed for a 10.0 psf bottom chord live load nonconcurrent with any other live loads.
- 6) * This truss has been designed for a live load of 20.0psf on the bottom chord in all areas where a rectangle 3-6-0 tall by 2-0-0 wide will fit between the bottom chord and any other members.
- 7) Provide mechanical connection (by others) of truss to bearing plate capable of withstanding 100 lb uplift at joint(s) A, C, D.
- 8) This truss is designed in accordance with the 2018 International Building Code section 2306.1 and referenced standard ANSI/TPI 1.



September 12, 2024

WARNING - Verify design parameters and READ NOTES ON THIS AND INCLUDED MITEK REFERENCE PAGE MII-7473 rev. 6/30/2020 BEFORE USE.

Design valid for use only with MiTek® connectors. This design is based only upon parameters shown, and is for an individual building component, not a truss system. Before use, the building designer must verify the applicability of design parameters and properly incorporate this design into the overall building design. Bracing indicated is to prevent buckling of individual truss web and/or chord members only. Additional temporary and permanent bracing is always required for stability and to prevent collapse with possible personal injury and property damage. For general guidance regarding the fabrication, storage, delivery, erection and bracing of trusses and truss systems, see

ANSI/TPI1 Quality Criteria, DSB-89 and BCSI Building Component

Safety Information available from Truss Plate Institute, 2670 Crain Highway, Suite 203 Waldorf, MD 20601



240 Stirling Crescent
 Bradford, ON. L3Z 4L5

Job	Truss	Truss Type	Qty	Ply	Buildings A-H	U1530807
N0653A	VR2	Valley	1	1		

Alliance Truss (CA), Abbotsford, BC - V2S 7P6, 8.630 s Jul 12 2024 MiTek Industries, Inc. Thu Sep 12 02:47:48 2024 Page 1

ID:hFyjDMxrTsEK_kgkR0vWWVzFgc-RfC?PsB70Hq3NSgPqnL8w3ulTXbGKWrCDoi7J4zJC?f

Job Reference (optional)

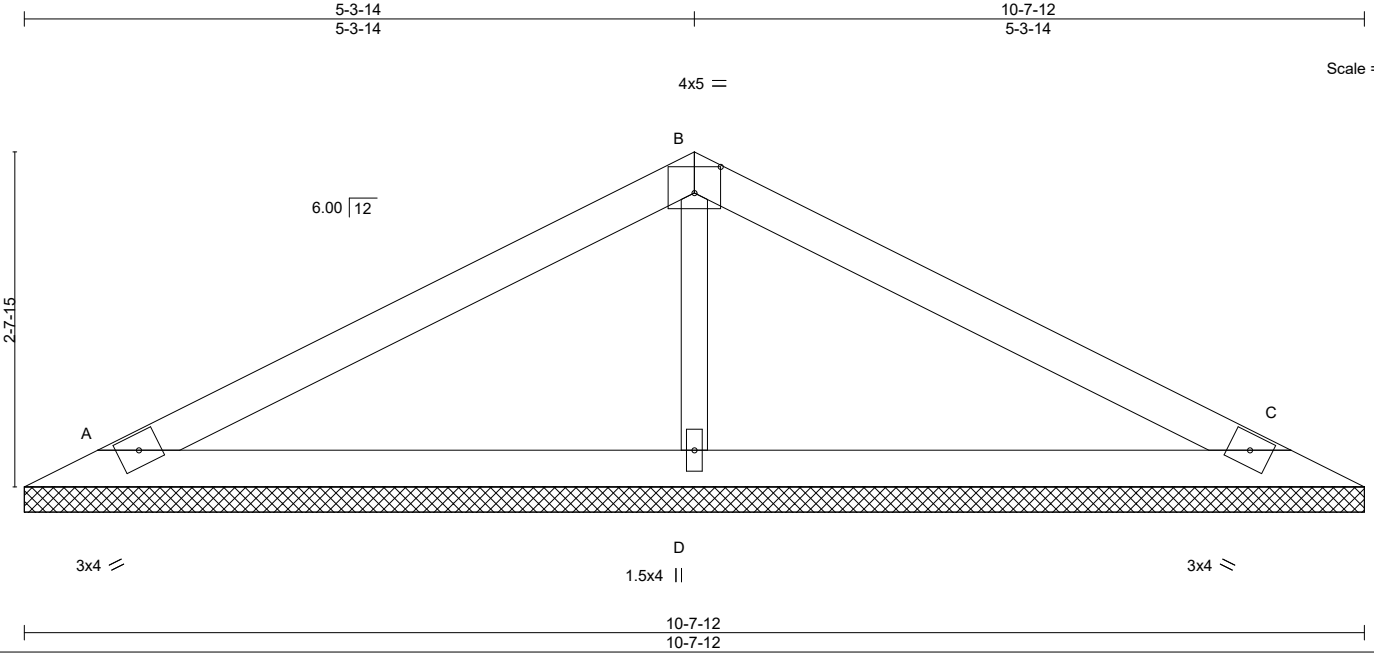


Plate Offsets (X,Y)-- [B:0-2-8,0-2-8]

LOADING (psf)	SPACING-	CSI.	DEFL.	in (loc)	l/defl	L/d	PLATES	GRIP
TCLL 25.0 (Roof Snow=25.0)	2-0-0 Plate Grip DOL 1.15	TC 0.48	Vert(LL)	n/a	-	n/a	MT20	197/144
TCDL 12.0	Lumber DOL 1.15	BC 0.19	Vert(CT)	n/a	-	n/a		
BCLL 0.0 *	Rep Stress Incr YES	WB 0.07	Horz(CT)	0.00	C	n/a		
BCDL 10.0	Code IBC2018/TPI2014	Matrix-S					Weight: 26 lb	FT = 20%

LUMBER-
TOP CHORD 2x4 SPF No.2
BOT CHORD 2x4 SPF No.2
OTHERS 2x3 SPF No.2

BRACING-
TOP CHORD Structural wood sheathing directly applied or 6-0-0 oc purlins.
BOT CHORD Rigid ceiling directly applied or 10-0-0 oc bracing.

REACTIONS. (size) A=10-7-12, C=10-7-12, D=10-7-12
Max Horz A=31(LC 14)
Max Uplift A=-29(LC 10), C=-35(LC 11), D=-14(LC 10)
Max Grav A=296(LC 16), C=296(LC 17), D=474(LC 17)

FORCES. (lb) - Max. Comp./Max. Ten. - All forces 250 (lb) or less except when shown.
WEBS B-D=-329/61

- NOTES-**
- 1) Wind: ASCE 7-16; Vult=115mph (3-second gust) Vasd=91mph; TCDL=4.2psf; BCDL=5.0psf; h=30ft; Ke=1.00; Cat. II; Exp B; Enclosed; MWFRS (envelope) gable end zone; cantilever left and right exposed; end vertical left and right exposed; Lumber DOL=1.33 plate grip DOL=1.33
 - 2) TCLL: ASCE 7-16; Pf=25.0 psf (Lum DOL=1.15 Plate DOL=1.15); Is=1.0; Rough Cat B; Partially Exp.; Ce=1.0; Cs=1.00; Ct=1.10
 - 3) Unbalanced snow loads have been considered for this design.
 - 4) Gable requires continuous bottom chord bearing.
 - 5) This truss has been designed for a 10.0 psf bottom chord live load nonconcurrent with any other live loads.
 - 6) * This truss has been designed for a live load of 20.0psf on the bottom chord in all areas where a rectangle 3-6-0 tall by 2-0-0 wide will fit between the bottom chord and any other members.
 - 7) Provide mechanical connection (by others) of truss to bearing plate capable of withstanding 100 lb uplift at joint(s) A, C, D.
 - 8) This truss is designed in accordance with the 2018 International Building Code section 2306.1 and referenced standard ANSI/TPI 1.



September 12, 2024

WARNING - Verify design parameters and READ NOTES ON THIS AND INCLUDED MITEK REFERENCE PAGE MII-7473 rev. 6/30/2020 BEFORE USE.

Design valid for use only with MiTek® connectors. This design is based only upon parameters shown, and is for an individual building component, not a truss system. Before use, the building designer must verify the applicability of design parameters and properly incorporate this design into the overall building design. Bracing indicated is to prevent buckling of individual truss web and/or chord members only. Additional temporary and permanent bracing is always required for stability and to prevent collapse with possible personal injury and property damage. For general guidance regarding the fabrication, storage, delivery, erection and bracing of trusses and truss systems, see

Safety Information available from Truss Plate Institute, 2670 Crain Highway, Suite 203 Waldorf, MD 20601

ANSI/TPI1 Quality Criteria, DSB-89 and BCSI Building Component



240 Stirling Crescent
Bradford, ON. L3Z 4L5

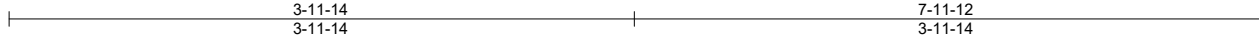
Job	Truss	Truss Type	Qty	Ply	Buildings A-H	U1530808
N0653A	VR3	Valley	1	1		

Alliance Truss (CA), Abbotsford, BC - V2S 7P6,

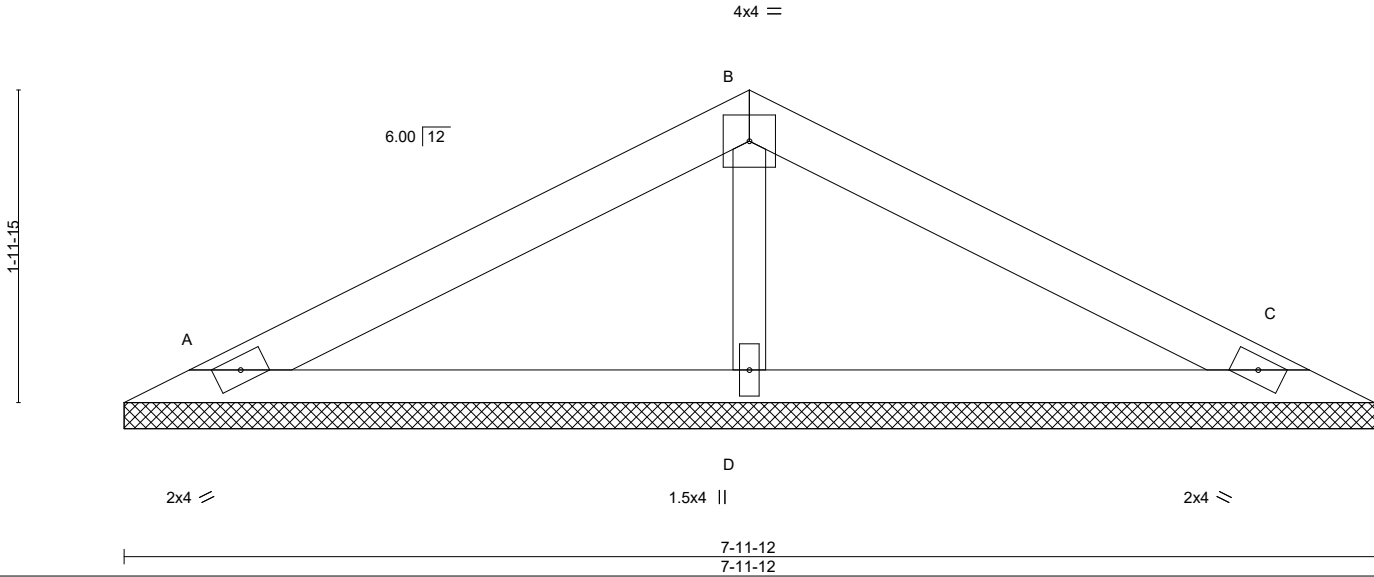
8.630 s Jul 12 2024 MiTek Industries, Inc. Thu Sep 12 02:47:49 2024 Page 1

ID:hFyjDMxrTsEK_kgkR0vWWVzFfgc-RfC?PsB70Hq3NSgPqnL8w3ulTXbGKWrCDoi7J4zJC?f

Job Reference (optional)



Scale = 1:14.7



LOADING (psf)	SPACING-	CSI.	DEFL.	in (loc)	l/defl	L/d	PLATES	GRIP
TCLL 25.0	2-0-0	TC 0.33	Vert(LL)	n/a	-	n/a	MT20	197/144
(Roof Snow=25.0)	Plate Grip DOL 1.15	BC 0.20	Vert(CT)	n/a	-	n/a		
TCDL 12.0	Lumber DOL 1.15	WB 0.04	Horz(CT)	0.00	C	n/a		
BCLL 0.0 *	Rep Stress Incr YES	Matrix-P						
BCDL 10.0	Code IBC2018/TPI2014						Weight: 17 lb	FT = 20%

LUMBER-

TOP CHORD 2x4 SPF No.2
 BOT CHORD 2x3 SPF No.2
 OTHERS 2x3 SPF No.2

BRACING-

TOP CHORD Structural wood sheathing directly applied or 6-0-0 oc purlins.
 BOT CHORD Rigid ceiling directly applied or 10-0-0 oc bracing.

REACTIONS.

(size) A=7-11-12, C=7-11-12, D=7-11-12
 Max Horz A=23(LC 10)
 Max Uplift A=-27(LC 10), C=-32(LC 11)
 Max Grav A=223(LC 16), C=223(LC 17), D=314(LC 1)

FORCES. (lb) - Max. Comp./Max. Ten. - All forces 250 (lb) or less except when shown.

NOTES-

- 1) Wind: ASCE 7-16; Vult=115mph (3-second gust) Vasd=91mph; TCDL=4.2psf; BCDL=5.0psf; h=30ft; Ke=1.00; Cat. II; Exp B; Enclosed; MWFRS (envelope) gable end zone; cantilever left and right exposed; end vertical left and right exposed; Lumber DOL=1.33 plate grip DOL=1.33
- 2) TCLL: ASCE 7-16; Pf=25.0 psf (Lum DOL=1.15 Plate DOL=1.15); Is=1.0; Rough Cat B; Partially Exp.; Ce=1.0; Cs=1.00; Ct=1.10
- 3) Unbalanced snow loads have been considered for this design.
- 4) Gable requires continuous bottom chord bearing.
- 5) This truss has been designed for a 10.0 psf bottom chord live load nonconcurrent with any other live loads.
- 6) * This truss has been designed for a live load of 20.0psf on the bottom chord in all areas where a rectangle 3-6-0 tall by 2-0-0 wide will fit between the bottom chord and any other members.
- 7) Provide mechanical connection (by others) of truss to bearing plate capable of withstanding 100 lb uplift at joint(s) A, C.
- 8) This truss is designed in accordance with the 2018 International Building Code section 2306.1 and referenced standard ANSI/TPI 1.



September 12, 2024

WARNING - Verify design parameters and READ NOTES ON THIS AND INCLUDED MITEK REFERENCE PAGE MII-7473 rev. 6/30/2020 BEFORE USE.

Design valid for use only with MiTek® connectors. This design is based only upon parameters shown, and is for an individual building component, not a truss system. Before use, the building designer must verify the applicability of design parameters and properly incorporate this design into the overall building design. Bracing indicated is to prevent buckling of individual truss web and/or chord members only. Additional temporary and permanent bracing is always required for stability and to prevent collapse with possible personal injury and property damage. For general guidance regarding the fabrication, storage, delivery, erection and bracing of trusses and truss systems, see

ANSI/TPI1 Quality Criteria, DSB-89 and BCSI Building Component

Safety Information available from Truss Plate Institute, 2670 Crain Highway, Suite 203 Waldorf, MD 20601



240 Stirling Crescent
 Bradford, ON. L3Z 4L5

Job	Truss	Truss Type	Qty	Ply	Buildings A-H	U1530809
N0653A	VR4	Valley	1	1		

Alliance Truss (CA), Abbotsford, BC - V2S 7P6,

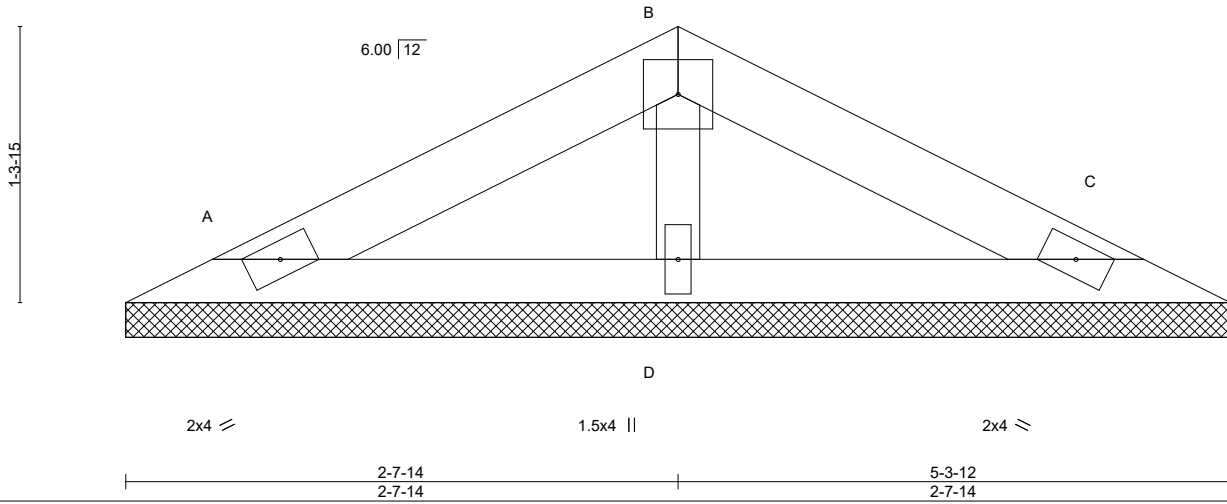
8.630 s Jul 12 2024 MiTek Industries, Inc. Thu Sep 12 02:47:49 2024 Page 1

ID:hFyjDMxrTsEK_kgkR0vWWVzFfgc-RfC?PsB70Hq3NSgPqnL8w3ulTXbGKWrCDoi7J4zJC?f



4x4 =

Scale = 1:11.1



LOADING (psf)	SPACING-	CSI.	DEFL.	in (loc)	l/defl	L/d	PLATES	GRIP
TCLL 25.0	2-0-0	TC 0.11	Vert(LL)	n/a	-	n/a	MT20	197/144
(Roof Snow=25.0)	Plate Grip DOL 1.15	BC 0.08	Vert(CT)	n/a	-	n/a		
TCDL 12.0	Lumber DOL 1.15	WB 0.02	Horz(CT)	0.00	C	n/a		
BCLL 0.0 *	Rep Stress Incr YES	Matrix-P						
BCDL 10.0	Code IBC2018/TPI2014						Weight: 11 lb	FT = 20%

LUMBER-

TOP CHORD 2x4 SPF No.2
 BOT CHORD 2x3 SPF No.2
 WEBS 2x3 SPF No.2

BRACING-

TOP CHORD Structural wood sheathing directly applied or 5-3-12 oc purlins.
 BOT CHORD Rigid ceiling directly applied or 10-0-0 oc bracing.

REACTIONS.

(size) A=5-3-12, C=5-3-12, D=5-3-12
 Max Horz A=14(LC 14)
 Max Uplift A=-17(LC 10), C=-20(LC 11)
 Max Grav A=129(LC 16), C=129(LC 17), D=193(LC 1)

FORCES. (lb) - Max. Comp./Max. Ten. - All forces 250 (lb) or less except when shown.

NOTES-

- 1) Wind: ASCE 7-16; Vult=115mph (3-second gust) Vasd=91mph; TCDL=4.2psf; BCDL=5.0psf; h=30ft; Ke=1.00; Cat. II; Exp B; Enclosed; MWFRS (envelope) gable end zone; cantilever left and right exposed; end vertical left and right exposed; Lumber DOL=1.33 plate grip DOL=1.33
- 2) TCLL: ASCE 7-16; Pf=25.0 psf (Lum DOL=1.15 Plate DOL=1.15); Is=1.0; Rough Cat B; Partially Exp.; Ce=1.0; Cs=1.00; Ct=1.10
- 3) Unbalanced snow loads have been considered for this design.
- 4) Gable requires continuous bottom chord bearing.
- 5) This truss has been designed for a 10.0 psf bottom chord live load nonconcurrent with any other live loads.
- 6) * This truss has been designed for a live load of 20.0psf on the bottom chord in all areas where a rectangle 3-6-0 tall by 2-0-0 wide will fit between the bottom chord and any other members.
- 7) Provide mechanical connection (by others) of truss to bearing plate capable of withstanding 100 lb uplift at joint(s) A, C.
- 8) This truss is designed in accordance with the 2018 International Building Code section 2306.1 and referenced standard ANSI/TPI 1.



September 12, 2024

WARNING - Verify design parameters and READ NOTES ON THIS AND INCLUDED MITEK REFERENCE PAGE MII-7473 rev. 6/30/2020 BEFORE USE.

Design valid for use only with MiTek® connectors. This design is based only upon parameters shown, and is for an individual building component, not a truss system. Before use, the building designer must verify the applicability of design parameters and properly incorporate this design into the overall building design. Bracing indicated is to prevent buckling of individual truss web and/or chord members only. Additional temporary and permanent bracing is always required for stability and to prevent collapse with possible personal injury and property damage. For general guidance regarding the fabrication, storage, delivery, erection and bracing of trusses and truss systems, see

ANSI/TPI1 Quality Criteria, DSB-89 and BCSI Building Component

Safety Information available from Truss Plate Institute, 2670 Crain Highway, Suite 203 Waldorf, MD 20601



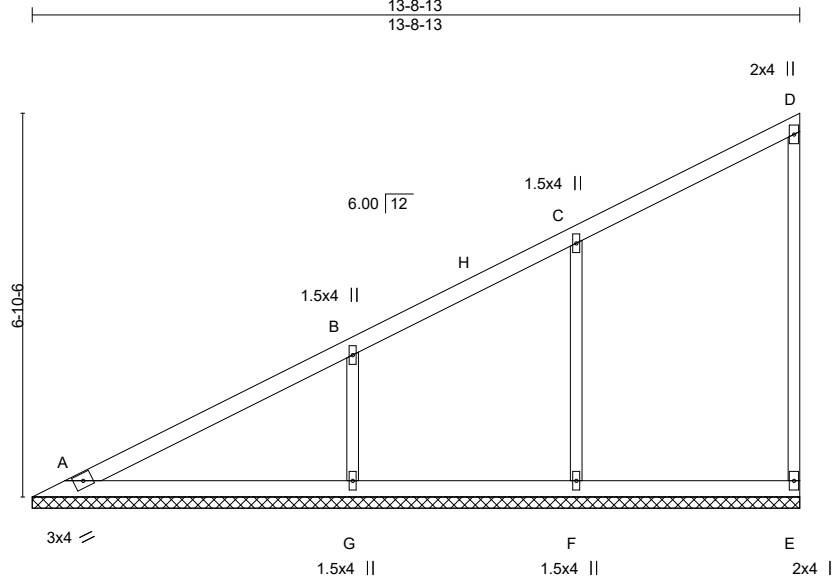
240 Stirling Crescent
 Bradford, ON. L3Z 4L5

Job	Truss	Truss Type	Qty	Ply	Buildings A-H	U1530887
N0653A	VU1	Valley	20	1		

Alliance Truss (CA), Abbotsford, BC - V2S 7P6,

8.820 s Aug 30 2024 MiTek Industries, Inc. Thu Sep 12 02:48:35 2024 Page 1

ID:hFyjDMxrTsEK_kgkR0vWWVzFgC-oHOw?kQRARUM1BZ9oU?1gCjY7X45AWypyhMriyeVqg



LOADING (psf)	SPACING-	CSI.	DEFL.	PLATES	GRIP
TCLL 25.0	2-0-0	TC 0.34	in (loc) l/defl L/d	MT20	197/144
(Roof Snow=25.0)	Plate Grip DOL 1.15	BC 0.20	Vert(LL) n/a - n/a 999		
TCDL 12.0	Lumber DOL 1.15	WB 0.23	Vert(CT) n/a - n/a 999		
BCLL 0.0 *	Rep Stress Incr YES	Matrix-S	Horz(CT) -0.00 E n/a n/a		
BCDL 10.0	Code IBC2018/TPI2014			Weight: 43 lb	FT = 20%

LUMBER-

TOP CHORD 2x4 SPF No.2
 BOT CHORD 2x4 SPF No.2
 WEBS 2x3 SPF No.2
 OTHERS 2x3 SPF No.2

BRACING-

TOP CHORD Structural wood sheathing directly applied or 6-0-0 oc purlins, except end verticals.
 BOT CHORD Rigid ceiling directly applied or 10-0-0 oc bracing.

REACTIONS.

All bearings 13-8-13.
 (lb) - Max Horz A=201(LC 7)
 Max Uplift All uplift 100 lb or less at joint(s) E, F except G=-103(LC 10)
 Max Grav All reactions 250 lb or less at joint(s) A, E except F=528(LC 3), G=509(LC 3)

FORCES. (lb) - Max. Comp./Max. Ten. - All forces 250 (lb) or less except when shown.

WEBS C-F=-446/107, B-G=-381/150

NOTES-

- 1) Wind: ASCE 7-16; Vult=115mph (3-second gust) Vasd=91mph; TCDL=4.2psf; BCDL=5.0psf; h=30ft; Ke=1.00; Cat. II; Exp B; Enclosed; MWFRS (envelope) gable end zone; cantilever left and right exposed; end vertical left and right exposed; Lumber DOL=1.33 plate grip DOL=1.33
- 2) TCLL: ASCE 7-16; Pf=25.0 psf (Lum DOL = 1.15 Plate DOL = 1.15); Is=1.0; Rough Cat B; Partially Exp.; Ce=1.0; Cs=1.00; Ct=1.10
- 3) Unbalanced snow loads have been considered for this design.
- 4) Gable requires continuous bottom chord bearing.
- 5) This truss has been designed for a 10.0 psf bottom chord live load nonconcurrent with any other live loads.
- 6) * This truss has been designed for a live load of 20.0psf on the bottom chord in all areas where a rectangle 3-6-0 tall by 2-0-0 wide will fit between the bottom chord and any other members, with BCDL = 10.0psf.
- 7) Provide mechanical connection (by others) of truss to bearing plate capable of withstanding 100 lb uplift at joint(s) E, F except (jt=lb) G=103.
- 8) This truss is designed in accordance with the 2018 International Building Code section 2306.1 and referenced standard ANSI/TPI 1.



September 12, 2024

WARNING - Verify design parameters and READ NOTES ON THIS AND INCLUDED MITEK REFERENCE PAGE MII-7473 rev. 6/30/2020 BEFORE USE.

Design valid for use only with MiTek® connectors. This design is based only upon parameters shown, and is for an individual building component, not a truss system. Before use, the building designer must verify the applicability of design parameters and properly incorporate this design into the overall building design. Bracing indicated is to prevent buckling of individual truss web and/or chord members only. Additional temporary and permanent bracing is always required for stability and to prevent collapse with possible personal injury and property damage. For general guidance regarding the fabrication, storage, delivery, erection and bracing of trusses and truss systems, see

ANSI/TPI1 Quality Criteria, DSB-89 and BCSI Building Component Safety Information available from Truss Plate Institute, 2670 Crain Highway, Suite 203 Waldorf, MD 20601



240 Stirling Crescent
 Bradford, ON. L3Z 4L5

Job	Truss	Truss Type	Qty	Ply	Buildings A-H	U1530888
N0653A	VU2	Valley	20	1		

Alliance Truss (CA), Abbotsford, BC - V2S 7P6,

8.820 s Aug 30 2024 MiTek Industries, Inc. Thu Sep 12 02:48:35 2024 Page 1

ID:hFyjDMxrTsEK_kgkR0vWWVzFIgc-oH0w?kQRarUM1BZ9oU?1gCjZjX5wAXjpyhMrrieVqg

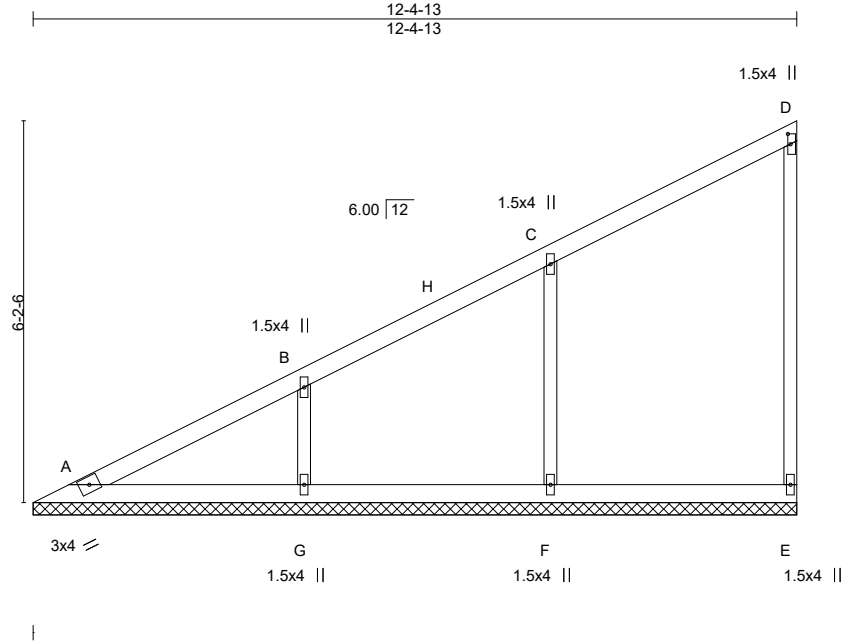


Plate Offsets (X,Y)-- [D:0-2-0,0-0-8]

LOADING (psf)	SPACING-	CSI.	DEFL.	PLATES	GRIP
TCLL 25.0 (Roof Snow=25.0)	2-0-0 Plate Grip DOL 1.15	TC 0.30	in (loc) l/defl L/d	MT20	197/144
TCDL 12.0	Lumber DOL 1.15	BC 0.14	Vert(LL) n/a - n/a 999		
BCLL 0.0 *	Rep Stress Incr YES	WB 0.18	Vert(CT) n/a - n/a 999		
BCDL 10.0	Code IBC2018/TPI2014	Matrix-S	Horz(CT) -0.00 E n/a n/a	Weight: 38 lb	FT = 20%

LUMBER-

TOP CHORD 2x4 SPF No.2
 BOT CHORD 2x4 SPF No.2
 WEBS 2x3 SPF No.2
 OTHERS 2x3 SPF No.2

BRACING-

TOP CHORD Structural wood sheathing directly applied or 6-0-0 oc purlins, except end verticals.
 BOT CHORD Rigid ceiling directly applied or 10-0-0 oc bracing.

REACTIONS.

All bearings 12-4-13.
 (lb) - Max Horz A=180(LC 7)
 Max Uplift All uplift 100 lb or less at joint(s) E, F, G
 Max Grav All reactions 250 lb or less at joint(s) A, E except F=562(LC 3), G=409(LC 3)

FORCES. (lb) - Max. Comp./Max. Ten. - All forces 250 (lb) or less except when shown.

WEBS C-F=-469/118, B-G=-310/123

NOTES-

- 1) Wind: ASCE 7-16; Vult=115mph (3-second gust) Vasd=91mph; TCDL=4.2psf; BCDL=5.0psf; h=30ft; Ke=1.00; Cat. II; Exp B; Enclosed; MWFRS (envelope) gable end zone; cantilever left and right exposed; end vertical left and right exposed; Lumber DOL=1.33 plate grip DOL=1.33
- 2) TCLL: ASCE 7-16; Pf=25.0 psf (Lum DOL = 1.15 Plate DOL = 1.15); Is=1.0; Rough Cat B; Partially Exp.; Ce=1.0; Cs=1.00; Ct=1.10
- 3) Unbalanced snow loads have been considered for this design.
- 4) Gable requires continuous bottom chord bearing.
- 5) This truss has been designed for a 10.0 psf bottom chord live load nonconcurrent with any other live loads.
- 6) * This truss has been designed for a live load of 20.0psf on the bottom chord in all areas where a rectangle 3-6-0 tall by 2-0-0 wide will fit between the bottom chord and any other members, with BCDL = 10.0psf.
- 7) Provide mechanical connection (by others) of truss to bearing plate capable of withstanding 100 lb uplift at joint(s) E, F, G.
- 8) This truss is designed in accordance with the 2018 International Building Code section 2306.1 and referenced standard ANSI/TPI 1.



September 12, 2024

WARNING - Verify design parameters and READ NOTES ON THIS AND INCLUDED MITEK REFERENCE PAGE MII-7473 rev. 6/30/2020 BEFORE USE.

Design valid for use only with MiTek® connectors. This design is based only upon parameters shown, and is for an individual building component, not a truss system. Before use, the building designer must verify the applicability of design parameters and properly incorporate this design into the overall building design. Bracing indicated is to prevent buckling of individual truss web and/or chord members only. Additional temporary and permanent bracing is always required for stability and to prevent collapse with possible personal injury and property damage. For general guidance regarding the fabrication, storage, delivery, erection and bracing of trusses and truss systems, see

ANSI/TPI1 Quality Criteria, DSB-89 and BCSI Building Component Safety Information available from Truss Plate Institute, 2670 Crain Highway, Suite 203 Waldorf, MD 20601



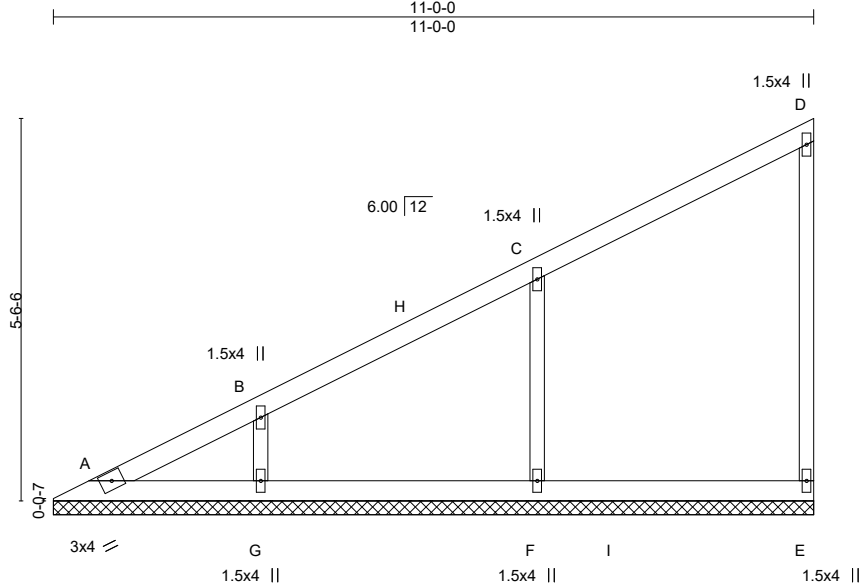
240 Stirling Crescent
 Bradford, ON. L3Z 4L5

Job	Truss	Truss Type	Qty	Ply	Buildings A-H	U1530889
N0653A	VU3	Valley	20	1		

Alliance Truss (CA), Abbotsford, BC - V2S 7P6,

8.820 s Aug 30 2024 MiTek Industries, Inc. Thu Sep 12 02:48:36 2024 Page 1

ID:hFyjDMxrTsEK_kgkR0vWWVzF1gc-GUyIC4Q3x8cDeL8LMBWGCQFkExRHv_eyBL6ON9yeVqf



Scale = 1:33.3

LOADING (psf)	SPACING-	2-0-0	CSI.	DEFL.	in (loc)	l/defl	L/d	PLATES	GRIP
TCLL 25.0	Plate Grip DOL	1.15	TC 0.32	Vert(LL)	n/a	-	n/a	MT20	197/144
(Roof Snow=25.0)	Lumber DOL	1.15	BC 0.14	Vert(CT)	n/a	-	n/a		
TCDL 12.0	Rep Stress Incr	YES	WB 0.14	Horz(CT)	-0.00	E	n/a		
BCLL 0.0 *	Code IBC2018/TPI2014		Matrix-S					Weight: 33 lb	FT = 20%
BCDL 10.0									

LUMBER-

TOP CHORD 2x4 SPF No.2
 BOT CHORD 2x4 SPF No.2
 WEBS 2x3 SPF No.2
 OTHERS 2x3 SPF No.2

BRACING-

TOP CHORD Structural wood sheathing directly applied or 6-0-0 oc purlins, except end verticals.
 BOT CHORD Rigid ceiling directly applied or 10-0-0 oc bracing.

REACTIONS.

All bearings 11-0-0.
 (lb) - Max Horz A=159(LC 9)
 Max Uplift All uplift 100 lb or less at joint(s) E, F, G
 Max Grav All reactions 250 lb or less at joint(s) A, E except F=569(LC 16), G=333(LC 3)

FORCES.

(lb) - Max. Comp./Max. Ten. - All forces 250 (lb) or less except when shown.
 WEBS C-F=-481/125, B-G=-256/103

NOTES-

- 1) Wind: ASCE 7-16; Vult=115mph (3-second gust) Vasd=91mph; TCDL=4.2psf; BCDL=5.0psf; h=30ft; Ke=1.00; Cat. II; Exp B; Enclosed; MWFRS (envelope) gable end zone; cantilever left and right exposed; end vertical left and right exposed; Lumber DOL=1.33 plate grip DOL=1.33
- 2) TCLL: ASCE 7-16; Pf=25.0 psf (Lum DOL = 1.15 Plate DOL = 1.15); Is=1.0; Rough Cat B; Partially Exp.; Ce=1.0; Cs=1.00; Ct=1.10
- 3) Unbalanced snow loads have been considered for this design.
- 4) Gable requires continuous bottom chord bearing.
- 5) This truss has been designed for a 10.0 psf bottom chord live load nonconcurrent with any other live loads.
- 6) * This truss has been designed for a live load of 20.0psf on the bottom chord in all areas where a rectangle 3-6-0 tall by 2-0-0 wide will fit between the bottom chord and any other members, with BCDL = 10.0psf.
- 7) Provide mechanical connection (by others) of truss to bearing plate capable of withstanding 100 lb uplift at joint(s) E, F, G.
- 8) This truss is designed in accordance with the 2018 International Building Code section 2306.1 and referenced standard ANSI/TPI 1.



September 12, 2024

WARNING - Verify design parameters and READ NOTES ON THIS AND INCLUDED MITEK REFERENCE PAGE MII-7473 rev. 6/30/2020 BEFORE USE.

Design valid for use only with MiTek® connectors. This design is based only upon parameters shown, and is for an individual building component, not a truss system. Before use, the building designer must verify the applicability of design parameters and properly incorporate this design into the overall building design. Bracing indicated is to prevent buckling of individual truss web and/or chord members only. Additional temporary and permanent bracing is always required for stability and to prevent collapse with possible personal injury and property damage. For general guidance regarding the fabrication, storage, delivery, erection and bracing of trusses and truss systems, see

ANSI/TPI1 Quality Criteria, DSB-89 and BCSI Building Component

Safety Information available from Truss Plate Institute, 2670 Crain Highway, Suite 203 Waldorf, MD 20601



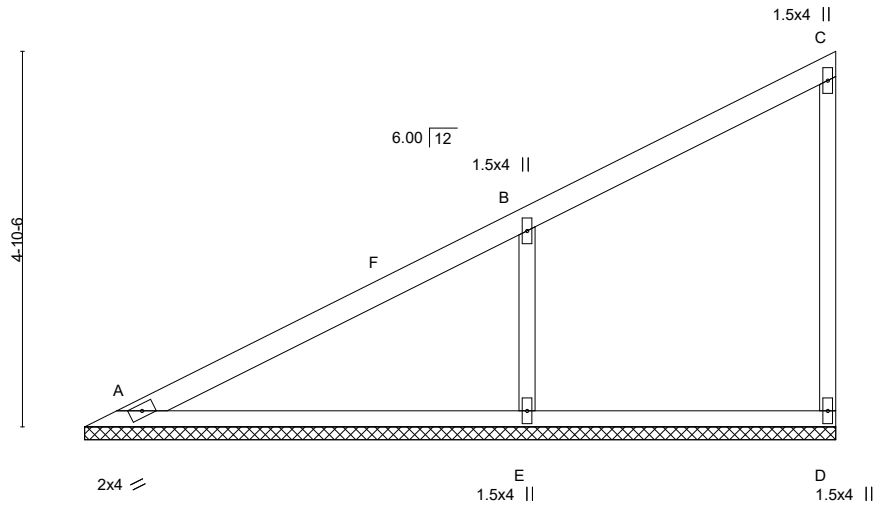
240 Stirling Crescent
 Bradford, ON. L3Z 4L5

Job	Truss	Truss Type	Qty	Ply	Buildings A-H	U1530890
N0653A	VU4	Valley	20	1		

Alliance Truss (CA), Abbotsford, BC - V2S 7P6,

8.820 s Aug 30 2024 MiTek Industries, Inc. Thu Sep 12 02:48:36 2024 Page 1

ID:hFyjDMxrTsEK_kgkR0vWWVzFJgc-GUylC4Q3x8cDeL8LMBWGCQFh2xOvv_myBL6ON9yeVqf
9-8-13
9-8-13



Scale = 1:29.9

LOADING (psf)	SPACING-	CSI.	DEFL.	in (loc)	l/defl	L/d	PLATES	GRIP
TCLL 25.0	2-0-0	TC 0.46	Vert(LL)	n/a	-	n/a	MT20	197/144
(Roof Snow=25.0)	Plate Grip DOL 1.15	BC 0.35	Vert(CT)	n/a	-	n/a		
TCDL 12.0	Lumber DOL 1.15	WB 0.13	Horz(CT)	-0.00	D	n/a		
BCLL 0.0 *	Rep Stress Incr YES	Matrix-S						
BCDL 10.0	Code IBC2018/TPI2014						Weight: 25 lb	FT = 20%

LUMBER-

TOP CHORD 2x4 SPF No.2
BOT CHORD 2x3 SPF No.2
WEBS 2x3 SPF No.2
OTHERS 2x3 SPF No.2

BRACING-

TOP CHORD Structural wood sheathing directly applied or 6-0-0 oc purlins, except end verticals.
BOT CHORD Rigid ceiling directly applied or 10-0-0 oc bracing.

REACTIONS.

(size) A=9-8-13, D=9-8-13, E=9-8-13
Max Horz A=140(LC 7)
Max Uplift D=-19(LC 7), E=-110(LC 10)
Max Grav A=198(LC 16), D=182(LC 16), E=688(LC 16)

FORCES. (lb) - Max. Comp./Max. Ten. - All forces 250 (lb) or less except when shown.

WEBS B-E=-571/157

NOTES-

- 1) Wind: ASCE 7-16; Vult=115mph (3-second gust) Vasd=91mph; TCDL=4.2psf; BCDL=5.0psf; h=30ft; Ke=1.00; Cat. II; Exp B; Enclosed; MWFRS (envelope) gable end zone; cantilever left and right exposed; end vertical left and right exposed; Lumber DOL=1.33 plate grip DOL=1.33
- 2) TCLL: ASCE 7-16; Pf=25.0 psf (Lum DOL = 1.15 Plate DOL = 1.15); Is=1.0; Rough Cat B; Partially Exp.; Ce=1.0; Cs=1.00; Ct=1.10
- 3) Unbalanced snow loads have been considered for this design.
- 4) Gable requires continuous bottom chord bearing.
- 5) This truss has been designed for a 10.0 psf bottom chord live load nonconcurrent with any other live loads.
- 6) * This truss has been designed for a live load of 20.0psf on the bottom chord in all areas where a rectangle 3-6-0 tall by 2-0-0 wide will fit between the bottom chord and any other members.
- 7) Provide mechanical connection (by others) of truss to bearing plate capable of withstanding 100 lb uplift at joint(s) D except (jt=lb) E=110.
- 8) This truss is designed in accordance with the 2018 International Building Code section 2306.1 and referenced standard ANSI/TPI 1.



September 12, 2024

WARNING - Verify design parameters and READ NOTES ON THIS AND INCLUDED MITEK REFERENCE PAGE MII-7473 rev. 6/30/2020 BEFORE USE.

Design valid for use only with MiTek® connectors. This design is based only upon parameters shown, and is for an individual building component, not a truss system. Before use, the building designer must verify the applicability of design parameters and properly incorporate this design into the overall building design. Bracing indicated is to prevent buckling of individual truss web and/or chord members only. Additional temporary and permanent bracing is always required for stability and to prevent collapse with possible personal injury and property damage. For general guidance regarding the fabrication, storage, delivery, erection and bracing of trusses and truss systems, see

ANSI/TPI1 Quality Criteria, DSB-89 and BCSI Building Component

Safety Information available from Truss Plate Institute, 2670 Crain Highway, Suite 203 Waldorf, MD 20601



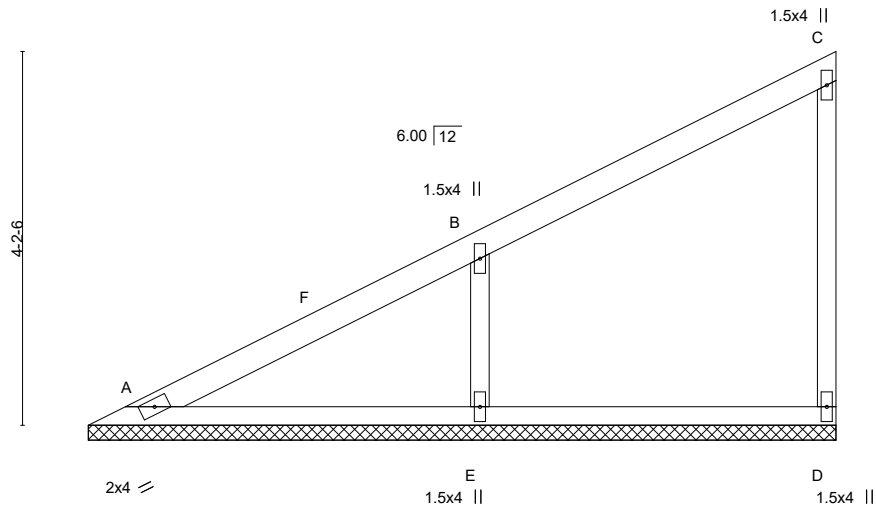
240 Stirling Crescent
Bradford, ON. L3Z 4L5

Job	Truss	Truss Type	Qty	Ply	Buildings A-H	U1530891
N0653A	VU5	Valley	20	1		

Alliance Truss (CA), Abbotsford, BC - V2S 7P6,

8.820 s Aug 30 2024 MiTek Industries, Inc. Thu Sep 12 02:48:37 2024 Page 1

ID:hFyjDMxrTsEK_kgkR0vWWVzF1gc-kgWgPQRhhSk4GVjXvv1VldouPLmoesSW6P?rybyveVqe
8-4-13
8-4-13



Scale = 1:25.9

LOADING (psf)	SPACING-	CSI.	DEFL.	in (loc)	l/defl	L/d	PLATES	GRIP
TCLL 25.0	2-0-0	TC 0.36	Vert(LL)	n/a	-	n/a	MT20	197/144
(Roof Snow=25.0)	Plate Grip DOL 1.15	BC 0.25	Vert(CT)	n/a	-	n/a		
TCDL 12.0	Lumber DOL 1.15	WB 0.10	Horz(CT)	-0.00	D	n/a		
BCLL 0.0 *	Rep Stress Incr YES	Matrix-P						
BCDL 10.0	Code IBC2018/TPI2014						Weight: 21 lb	FT = 20%

LUMBER-

TOP CHORD 2x4 SPF No.2
BOT CHORD 2x3 SPF No.2
WEBS 2x3 SPF No.2
OTHERS 2x3 SPF No.2

BRACING-

TOP CHORD Structural wood sheathing directly applied or 6-0-0 oc purlins, except end verticals.
BOT CHORD Rigid ceiling directly applied or 10-0-0 oc bracing.

REACTIONS.

(size) A=8-4-13, D=8-4-13, E=8-4-13
Max Horz A=120(LC 7)
Max Uplift D=-19(LC 7), E=-94(LC 10)
Max Grav A=136(LC 16), D=199(LC 16), E=607(LC 16)

FORCES. (lb) - Max. Comp./Max. Ten. - All forces 250 (lb) or less except when shown.

WEBS B-E=-510/142

NOTES-

- 1) Wind: ASCE 7-16; Vult=115mph (3-second gust) Vasd=91mph; TCDL=4.2psf; BCDL=5.0psf; h=30ft; Ke=1.00; Cat. II; Exp B; Enclosed; MWFRS (envelope) gable end zone; cantilever left and right exposed; end vertical left and right exposed; Lumber DOL=1.33 plate grip DOL=1.33
- 2) TCLL: ASCE 7-16; Pf=25.0 psf (Lum DOL = 1.15 Plate DOL = 1.15); Is=1.0; Rough Cat B; Partially Exp.; Ce=1.0; Cs=1.00; Ct=1.10
- 3) Unbalanced snow loads have been considered for this design.
- 4) Gable requires continuous bottom chord bearing.
- 5) This truss has been designed for a 10.0 psf bottom chord live load nonconcurrent with any other live loads.
- 6) * This truss has been designed for a live load of 20.0psf on the bottom chord in all areas where a rectangle 3-6-0 tall by 2-0-0 wide will fit between the bottom chord and any other members.
- 7) Provide mechanical connection (by others) of truss to bearing plate capable of withstanding 100 lb uplift at joint(s) D, E.
- 8) This truss is designed in accordance with the 2018 International Building Code section 2306.1 and referenced standard ANSI/TPI 1.



September 12, 2024

WARNING - Verify design parameters and READ NOTES ON THIS AND INCLUDED MITEK REFERENCE PAGE MII-7473 rev. 6/30/2020 BEFORE USE.

Design valid for use only with MiTek® connectors. This design is based only upon parameters shown, and is for an individual building component, not a truss system. Before use, the building designer must verify the applicability of design parameters and properly incorporate this design into the overall building design. Bracing indicated is to prevent buckling of individual truss web and/or chord members only. Additional temporary and permanent bracing is always required for stability and to prevent collapse with possible personal injury and property damage. For general guidance regarding the fabrication, storage, delivery, erection and bracing of trusses and truss systems, see

ANSI/TPI1 Quality Criteria, DSB-89 and BCSI Building Component Safety Information available from Truss Plate Institute, 2670 Crain Highway, Suite 203 Waldorf, MD 20601



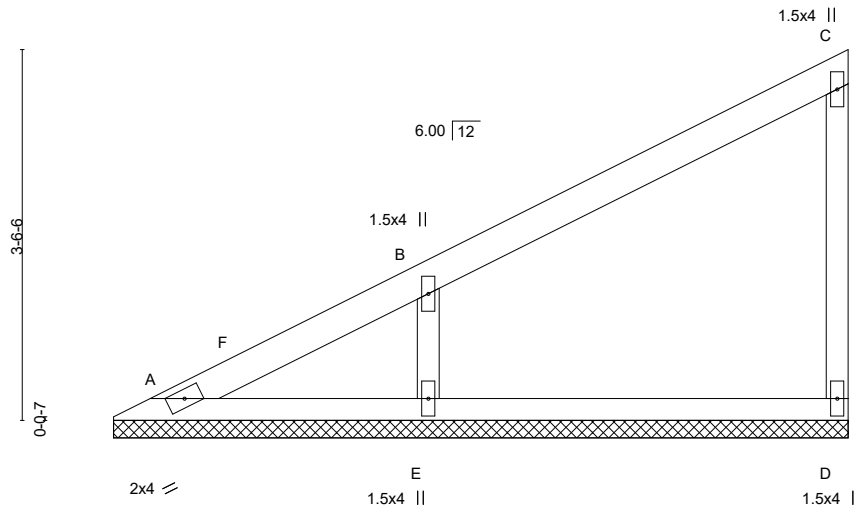
240 Stirling Crescent
Bradford, ON. L3Z 4L5

Job	Truss	Truss Type	Qty	Ply	Buildings A-H	U1530892
N0653A	VU6	Valley	20	1		

Alliance Truss (CA), Abbotsford, BC - V2S 7P6,

8.820 s Aug 30 2024 MiTek Industries, Inc. Thu Sep 12 02:48:37 2024 Page 1

ID:hFyjDMxrTsEK_kgkR0vWWVzFfgc-kgWgPQRhhSk4GVjXvv1VldovHLMoeSm6P?rybyveVqe
7-0-0
7-0-0



Scale = 1:22.0

LOADING (psf)	SPACING-	2-0-0	CSI.	DEFL.	in (loc)	l/defl	L/d	PLATES	GRIP	
TCLL 25.0	Plate Grip DOL	1.15	TC 0.30	Vert(LL)	n/a	-	n/a	999	MT20	197/144
(Roof Snow=25.0)	Lumber DOL	1.15	BC 0.21	Vert(CT)	n/a	-	n/a	999		
TCDL 12.0	Rep Stress Incr	YES	WB 0.08	Horz(CT)	-0.00	D	n/a	n/a		
BCLL 0.0 *	Code IBC2018/TPI2014		Matrix-P						Weight: 17 lb	FT = 20%
BCDL 10.0										

LUMBER-

TOP CHORD 2x4 SPF No.2
BOT CHORD 2x3 SPF No.2
WEBS 2x3 SPF No.2
OTHERS 2x3 SPF No.2

BRACING-

TOP CHORD Structural wood sheathing directly applied or 6-0-0 oc purlins, except end verticals.
BOT CHORD Rigid ceiling directly applied or 10-0-0 oc bracing.

REACTIONS.

(size) A=7-0-0, D=7-0-0, E=7-0-0
Max Horz A=99(LC 7)
Max Uplift D=-19(LC 10), E=-81(LC 10)
Max Grav A=74(LC 20), D=209(LC 16), E=543(LC 16)

FORCES. (lb) - Max. Comp./Max. Ten. - All forces 250 (lb) or less except when shown.

WEBS B-E=-460/122

NOTES-

- 1) Wind: ASCE 7-16; Vult=115mph (3-second gust) Vasd=91mph; TCDL=4.2psf; BCDL=5.0psf; h=30ft; Ke=1.00; Cat. II; Exp B; Enclosed; MWFRS (envelope) gable end zone; cantilever left and right exposed; end vertical left and right exposed; Lumber DOL=1.33 plate grip DOL=1.33
- 2) TCLL: ASCE 7-16; Pf=25.0 psf (Lum DOL = 1.15 Plate DOL = 1.15); Is=1.0; Rough Cat B; Partially Exp.; Ce=1.0; Cs=1.00; Ct=1.10
- 3) Unbalanced snow loads have been considered for this design.
- 4) Gable requires continuous bottom chord bearing.
- 5) This truss has been designed for a 10.0 psf bottom chord live load nonconcurrent with any other live loads.
- 6) * This truss has been designed for a live load of 20.0psf on the bottom chord in all areas where a rectangle 3-6-0 tall by 2-0-0 wide will fit between the bottom chord and any other members.
- 7) Provide mechanical connection (by others) of truss to bearing plate capable of withstanding 100 lb uplift at joint(s) D, E.
- 8) This truss is designed in accordance with the 2018 International Building Code section 2306.1 and referenced standard ANSI/TPI 1.



September 12, 2024

WARNING - Verify design parameters and READ NOTES ON THIS AND INCLUDED MITEK REFERENCE PAGE MII-7473 rev. 6/30/2020 BEFORE USE.

Design valid for use only with MiTek® connectors. This design is based only upon parameters shown, and is for an individual building component, not a truss system. Before use, the building designer must verify the applicability of design parameters and properly incorporate this design into the overall building design. Bracing indicated is to prevent buckling of individual truss web and/or chord members only. Additional temporary and permanent bracing is always required for stability and to prevent collapse with possible personal injury and property damage. For general guidance regarding the fabrication, storage, delivery, erection and bracing of trusses and truss systems, see

Safety Information available from Truss Plate Institute, 2670 Crain Highway, Suite 203 Waldorf, MD 20601

ANSI/TPI1 Quality Criteria, DSB-89 and BCSI Building Component



240 Stirling Crescent
Bradford, ON. L3Z 4L5

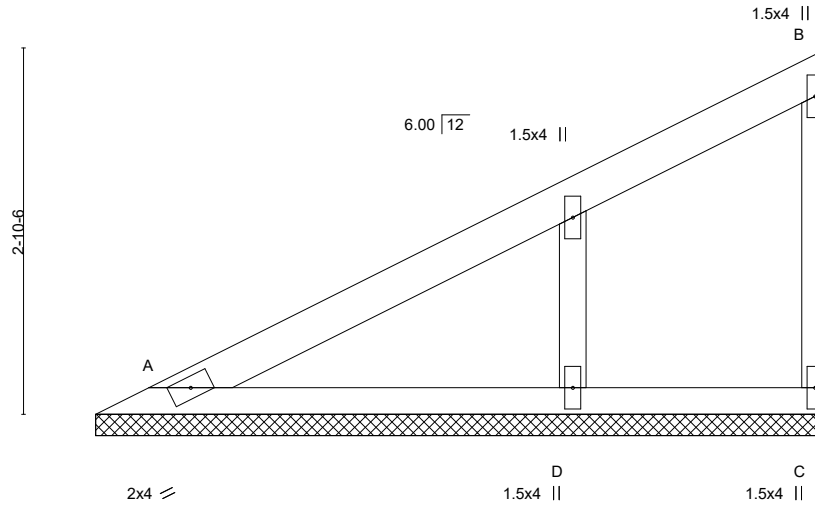
Job	Truss	Truss Type	Qty	Ply	Buildings A-H	U1530893
N0653A	VU7	GABLE	20	1		

Alliance Truss (CA), Abbotsford, BC - V2S 7P6,

8.820 s Aug 30 2024 MiTek Industries, Inc. Thu Sep 12 02:48:38 2024 Page 1

ID:hFyjDMxrTsEK_kgkR0vWWVzFlgc-Cs43dmSJSmsxufHkTcYkrlY6i7INwJFeebVS1yeVqd

5-8-13
5-8-13



Scale = 1:18.0

LOADING (psf)	SPACING-	CSI.	DEFL.	in (loc)	l/defl	L/d	PLATES	GRIP
TCLL 25.0	2-0-0	TC 0.81	Vert(LL)	n/a	-	n/a	MT20	197/144
(Roof Snow=25.0)	Plate Grip DOL 1.15	BC 0.14	Vert(CT)	n/a	-	n/a		
TCDL 12.0	Lumber DOL 1.15	WB 0.00	Horz(CT)	-0.00	C	n/a		
BCLL 0.0 *	Rep Stress Incr YES	Matrix-P						
BCDL 10.0	Code IBC2018/TPI2014						Weight: 14 lb	FT = 20%

LUMBER-

TOP CHORD 2x4 SPF No.2
 BOT CHORD 2x3 SPF No.2
 WEBS 2x3 SPF No.2
 OTHERS 2x3 SPF No.2

BRACING-

TOP CHORD Structural wood sheathing directly applied or 5-8-13 oc purlins, except end verticals.
 BOT CHORD Rigid ceiling directly applied or 10-0-0 oc bracing.

REACTIONS.

(size) A=5-8-13, C=5-8-13, D=5-8-13
 Max Horz A=79(LC 9)
 Max Uplift A=-33(LC 10), C=-61(LC 10)
 Max Grav A=311(LC 16), C=294(LC 16), D=134(LC 5)

FORCES. (lb) - Max. Comp./Max. Ten. - All forces 250 (lb) or less except when shown.

TOP CHORD B-C=-286/65

NOTES-

- 1) Wind: ASCE 7-16; Vult=115mph (3-second gust) Vasd=91mph; TCDL=4.2psf; BCDL=5.0psf; h=30ft; Ke=1.00; Cat. II; Exp B; Enclosed; MWFRS (envelope) gable end zone; cantilever left and right exposed; end vertical left and right exposed; Lumber DOL=1.33 plate grip DOL=1.33
- 2) TCLL: ASCE 7-16; Pf=25.0 psf (Lum DOL = 1.15 Plate DOL = 1.15); Is=1.0; Rough Cat B; Partially Exp.; Ce=1.0; Cs=1.00; Ct=1.10
- 3) Unbalanced snow loads have been considered for this design.
- 4) Gable requires continuous bottom chord bearing.
- 5) This truss has been designed for a 10.0 psf bottom chord live load nonconcurrent with any other live loads.
- 6) * This truss has been designed for a live load of 20.0psf on the bottom chord in all areas where a rectangle 3-6-0 tall by 2-0-0 wide will fit between the bottom chord and any other members.
- 7) Provide mechanical connection (by others) of truss to bearing plate capable of withstanding 100 lb uplift at joint(s) A, C.
- 8) This truss is designed in accordance with the 2018 International Building Code section 2306.1 and referenced standard ANSI/TPI 1.



September 12, 2024

WARNING - Verify design parameters and READ NOTES ON THIS AND INCLUDED MITEK REFERENCE PAGE MII-7473 rev. 6/30/2020 BEFORE USE.

Design valid for use only with MiTek® connectors. This design is based only upon parameters shown, and is for an individual building component, not a truss system. Before use, the building designer must verify the applicability of design parameters and properly incorporate this design into the overall building design. Bracing indicated is to prevent buckling of individual truss web and/or chord members only. Additional temporary and permanent bracing is always required for stability and to prevent collapse with possible personal injury and property damage. For general guidance regarding the fabrication, storage, delivery, erection and bracing of trusses and truss systems, see

ANSI/TPI1 Quality Criteria, DSB-89 and BCSI Building Component Safety Information available from Truss Plate Institute, 2670 Crain Highway, Suite 203 Waldorf, MD 20601



240 Stirling Crescent
 Bradford, ON. L3Z 4L5

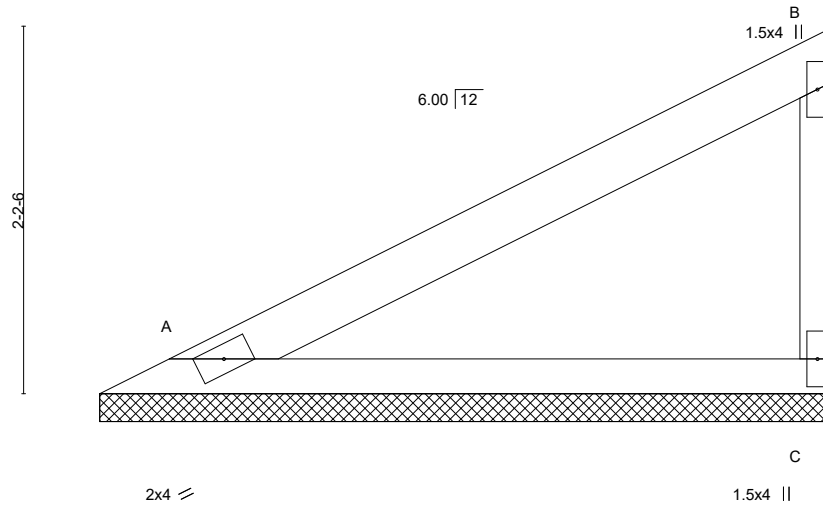
Job	Truss	Truss Type	Qty	Ply	Buildings A-H	U1530894
N0653A	VU8	Valley	20	1		

Alliance Truss (CA), Abbotsford, BC - V2S 7P6,

8.820 s Aug 30 2024 MiTek Industries, Inc. Thu Sep 12 02:48:38 2024 Page 1

ID:hFyjDMxrTsEK_kgkR0vWWVzF1gc-Cs43dmSJSmsxufHKtCYklrL2S15KNwJFeebVS1yeVqd

4-4-13
4-4-13



Scale = 1:13.8

LOADING (psf)	SPACING-	2-0-0	CSI.	DEFL.	in (loc)	l/defl	L/d	PLATES	GRIP
TCLL 25.0	Plate Grip DOL	1.15	TC 0.40	Vert(LL)	n/a	-	n/a	MT20	197/144
(Roof Snow=25.0)	Lumber DOL	1.15	BC 0.29	Vert(CT)	n/a	-	n/a		
TCDL 12.0	Rep Stress Incr	YES	WB 0.00	Horz(CT)	-0.00	C	n/a		
BCLL 0.0 *	Code IBC2018/TPI2014		Matrix-P					Weight: 10 lb	FT = 20%
BCDL 10.0									

LUMBER-

TOP CHORD 2x4 SPF No.2
BOT CHORD 2x3 SPF No.2
WEBS 2x3 SPF No.2

BRACING-

TOP CHORD Structural wood sheathing directly applied or 4-4-13 oc purlins, except end verticals.
BOT CHORD Rigid ceiling directly applied or 10-0-0 oc bracing.

REACTIONS.

(size) A=4-4-13, C=4-4-13
Max Horz A=58(LC 9)
Max Uplift A=-15(LC 10), C=-29(LC 10)
Max Grav A=239(LC 16), C=239(LC 16)

FORCES. (lb) - Max. Comp./Max. Ten. - All forces 250 (lb) or less except when shown.

NOTES-

- 1) Wind: ASCE 7-16; Vult=115mph (3-second gust) Vasd=91mph; TCDL=4.2psf; BCDL=5.0psf; h=30ft; Ke=1.00; Cat. II; Exp B; Enclosed; MWFRS (envelope) gable end zone; cantilever left and right exposed; end vertical left and right exposed; Lumber DOL=1.33 plate grip DOL=1.33
- 2) TCLL: ASCE 7-16; Pf=25.0 psf (Lum DOL = 1.15 Plate DOL = 1.15); Is=1.0; Rough Cat B; Partially Exp.; Ce=1.0; Cs=1.00; Ct=1.10
- 3) Unbalanced snow loads have been considered for this design.
- 4) Gable requires continuous bottom chord bearing.
- 5) This truss has been designed for a 10.0 psf bottom chord live load nonconcurrent with any other live loads.
- 6) * This truss has been designed for a live load of 20.0psf on the bottom chord in all areas where a rectangle 3-6-0 tall by 2-0-0 wide will fit between the bottom chord and any other members.
- 7) Provide mechanical connection (by others) of truss to bearing plate capable of withstanding 100 lb uplift at joint(s) A, C.
- 8) This truss is designed in accordance with the 2018 International Building Code section 2306.1 and referenced standard ANSI/TPI 1.



September 12, 2024

WARNING - Verify design parameters and READ NOTES ON THIS AND INCLUDED MITEK REFERENCE PAGE MII-7473 rev. 6/30/2020 BEFORE USE.

Design valid for use only with MiTek® connectors. This design is based only upon parameters shown, and is for an individual building component, not a truss system. Before use, the building designer must verify the applicability of design parameters and properly incorporate this design into the overall building design. Bracing indicated is to prevent buckling of individual truss web and/or chord members only. Additional temporary and permanent bracing is always required for stability and to prevent collapse with possible personal injury and property damage. For general guidance regarding the fabrication, storage, delivery, erection and bracing of trusses and truss systems, see

Safety Information available from Truss Plate Institute, 2670 Crain Highway, Suite 203 Waldorf, MD 20601

ANSI/TPI1 Quality Criteria, DSB-89 and BCSI Building Component



240 Stirling Crescent
Bradford, ON. L3Z 4L5

Job	Truss	Truss Type	Qty	Ply	Buildings A-H	U1530895
N0653A	VU9	Valley	20	1		

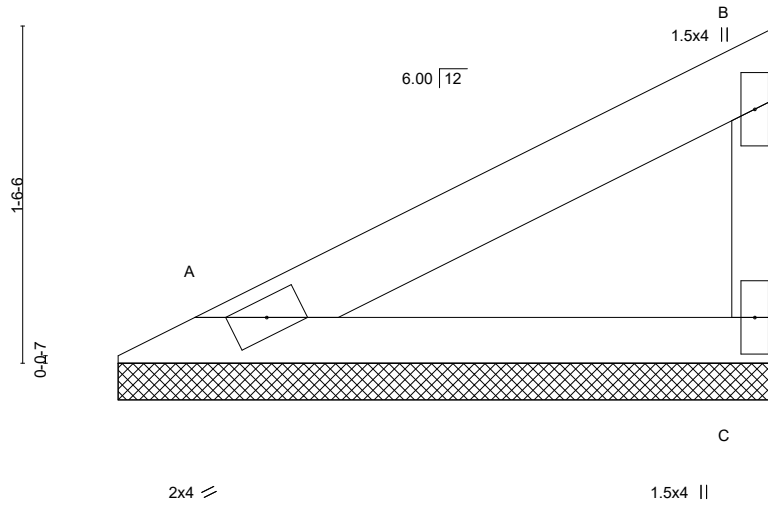
Alliance Truss (CA), Abbotsford, BC - V2S 7P6,

8.820 s Aug 30 2024 MiTek Industries, Inc. Thu Sep 12 02:48:38 2024 Page 1

ID:hFyjDMxrTsEK_kgkR0vWWVzFIgc-Cs43dmSJSmsxufHkTcYkIrL6R186NwJFeebVS1yeVqd

3-0-0
3-0-0

Scale = 1:10.5



LOADING (psf)	SPACING-	CSI.	DEFL.	in (loc)	l/defl	L/d	PLATES	GRIP
TCLL 25.0	2-0-0	TC 0.15	Vert(LL)	n/a	-	n/a	MT20	197/144
(Roof Snow=25.0)	Plate Grip DOL 1.15	BC 0.11	Vert(CT)	n/a	-	n/a		
TCDL 12.0	Lumber DOL 1.15	WB 0.00	Horz(CT)	-0.00	C	n/a		
BCLL 0.0 *	Rep Stress Incr YES	Matrix-P						
BCDL 10.0	Code IBC2018/TPI2014						Weight: 7 lb	FT = 20%

LUMBER-

TOP CHORD 2x4 SPF No.2
BOT CHORD 2x3 SPF No.2
WEBS 2x3 SPF No.2

BRACING-

TOP CHORD Structural wood sheathing directly applied or 3-0-13 oc purlins, except end verticals.
BOT CHORD Rigid ceiling directly applied or 10-0-0 oc bracing.

REACTIONS.

(size) A=3-0-0, C=3-0-0
Max Horz A=37(LC 7)
Max Uplift A=-10(LC 10), C=-19(LC 10)
Max Grav A=147(LC 16), C=147(LC 16)

FORCES. (lb) - Max. Comp./Max. Ten. - All forces 250 (lb) or less except when shown.

NOTES-

- 1) Wind: ASCE 7-16; Vult=115mph (3-second gust) Vasd=91mph; TCDL=4.2psf; BCDL=5.0psf; h=30ft; Ke=1.00; Cat. II; Exp B; Enclosed; MWFRS (envelope) gable end zone; cantilever left and right exposed; end vertical left and right exposed; Lumber DOL=1.33 plate grip DOL=1.33
- 2) TCLL: ASCE 7-16; Pf=25.0 psf (Lum DOL = 1.15 Plate DOL = 1.15); Is=1.0; Rough Cat B; Partially Exp.; Ce=1.0; Cs=1.00; Ct=1.10
- 3) Unbalanced snow loads have been considered for this design.
- 4) Gable requires continuous bottom chord bearing.
- 5) This truss has been designed for a 10.0 psf bottom chord live load nonconcurrent with any other live loads.
- 6) * This truss has been designed for a live load of 20.0psf on the bottom chord in all areas where a rectangle 3-6-0 tall by 2-0-0 wide will fit between the bottom chord and any other members.
- 7) Provide mechanical connection (by others) of truss to bearing plate capable of withstanding 100 lb uplift at joint(s) A, C.
- 8) This truss is designed in accordance with the 2018 International Building Code section 2306.1 and referenced standard ANSI/TPI 1.



September 12, 2024

WARNING - Verify design parameters and READ NOTES ON THIS AND INCLUDED MITEK REFERENCE PAGE MII-7473 rev. 6/30/2020 BEFORE USE.

Design valid for use only with MiTek® connectors. This design is based only upon parameters shown, and is for an individual building component, not a truss system. Before use, the building designer must verify the applicability of design parameters and properly incorporate this design into the overall building design. Bracing indicated is to prevent buckling of individual truss web and/or chord members only. Additional temporary and permanent bracing is always required for stability and to prevent collapse with possible personal injury and property damage. For general guidance regarding the fabrication, storage, delivery, erection and bracing of trusses and truss systems, see

ANSI/TPI1 Quality Criteria, DSB-89 and BCSI Building Component

Safety Information available from Truss Plate Institute, 2670 Crain Highway, Suite 203 Waldorf, MD 20601



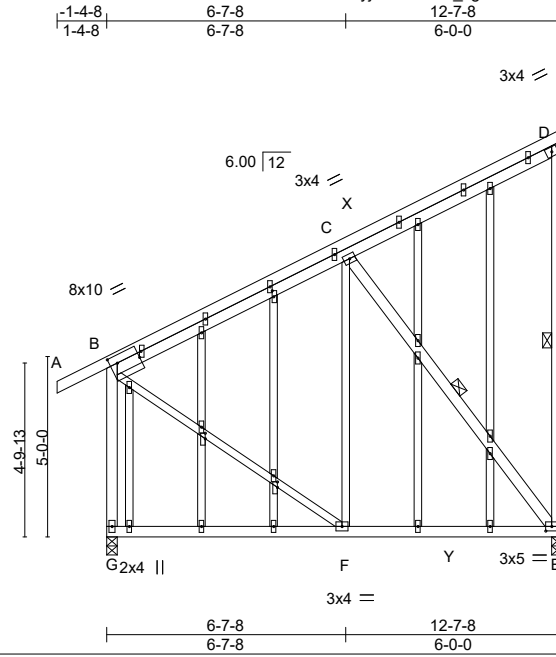
240 Stirling Crescent
Bradford, ON. L3Z 4L5

Job	Truss	Truss Type	Qty	Ply	Buildings A-H	U1530810
N0653A	W1	GABLE	10	1		

Alliance Truss (CA), Abbotsford, BC - V2S 7P6,

8.630 s Jul 12 2024 MiTek Industries, Inc. Thu Sep 12 02:47:50 2024 Page 1

ID:hFyjDMxrTsEK_kgkR0vWWVzFfgc-RfC?PsB70Hq3NSgPqnL8w3ulTXbGKWrCDoi7J4zJC?f



Scale: 3/16"=1'

Plate Offsets (X,Y)-- [B:0-2-0,0-0-7], [B:0-2-8,0-2-8], [E:0-2-0,0-1-8], [P:0-1-13,0-0-0], [Q:0-2-0,0-0-8], [S:0-1-13,0-0-0]

LOADING (psf)	SPACING-	CSI.	DEFL.	in (loc)	l/defl	L/d	PLATES	GRIP
TCLL 25.0 (Roof Snow=25.0)	2-0-0 Plate Grip DOL 1.15	TC 0.68	Vert(LL)	-0.05 E-F	>999	360	MT20	197/144
TCDL 12.0	Lumber DOL 1.15	BC 0.37	Vert(CT)	-0.09 F-G	>999	240		
BCLL 0.0 *	Rep Stress Incr YES	WB 0.24	Horz(CT)	-0.01 E	n/a	n/a		
BCDL 10.0	Code IBC2018/TPI2014	Matrix-MS	Wind(LL)	-0.04 E-F	>999	240	Weight: 115 lb	FT = 20%

LUMBER-

TOP CHORD 2x4 SPF No.2
 BOT CHORD 2x4 SPF No.2
 WEBS 2x4 SPF No.2 *Except*
 C-F,B-F: 2x3 SPF No.2
 OTHERS 2x3 SPF No.2

BRACING-

TOP CHORD Structural wood sheathing directly applied or 6-0-0 oc purlins, except end verticals.
 BOT CHORD Rigid ceiling directly applied or 6-0-0 oc bracing.
 WEBS 1 Row at midpt D-E, C-E

REACTIONS.

(size) G=0-3-8, E=0-3-8
 Max Horz G=323(LC 7)
 Max Uplift G=-60(LC 10), E=-141(LC 7)
 Max Grav G=754(LC 21), E=741(LC 3)

FORCES. (lb) - Max. Comp./Max. Ten. - All forces 250 (lb) or less except when shown.

TOP CHORD B-C=-469/36, D-E=-273/56, B-G=-689/88
 BOT CHORD F-G=-299/136, E-F=-140/347
 WEBS C-E=-544/134, B-F=-19/443

NOTES-

- 1) Wind: ASCE 7-16; Vult=115mph (3-second gust) Vasd=91mph; TCDL=4.2psf; BCDL=5.0psf; h=30ft; Ke=1.00; Cat. II; Exp B; Enclosed; MWFRS (envelope) gable end zone; cantilever left and right exposed ; end vertical left and right exposed; Lumber DOL=1.33 plate grip DOL=1.33
- 2) Truss designed for wind loads in the plane of the truss only. For studs exposed to wind (normal to the face), see Standard Industry Gable End Details as applicable, or consult qualified building designer as per ANSI/TPI 1.
- 3) TCLL: ASCE 7-16; Pf=25.0 psf (Lum DOL=1.15 Plate DOL=1.15); Is=1.0; Rough Cat B; Partially Exp.; Ce=1.0; Cs=1.00; Ct=1.10
- 4) Unbalanced snow loads have been considered for this design.
- 5) This truss has been designed for greater of min roof live load of 18.0 psf or 2.00 times flat roof load of 25.0 psf on overhangs non-concurrent with other live loads.
- 6) All plates are 1.5x4 MT20 unless otherwise indicated.
- 7) Gable studs spaced at 2-0-0 oc.
- 8) This truss has been designed for a 10.0 psf bottom chord live load nonconcurrent with any other live loads.
- 9) * This truss has been designed for a live load of 20.0psf on the bottom chord in all areas where a rectangle 3-6-0 tall by 2-0-0 wide will fit between the bottom chord and any other members, with BCDL = 10.0psf.
- 10) Provide mechanical connection (by others) of truss to bearing plate capable of withstanding 100 lb uplift at joint(s) G except (jt=lb) E=141.
- 11) This truss is designed in accordance with the 2018 International Building Code section 2306.1 and referenced standard ANSI/TPI 1.
- 12) No notches allowed in overhang and 10408 from left end and 0 from right end or 12" along rake from scarf, whichever is larger. Minimum 1.5x4 tie plates required at 2-0-0 o.c. maximum between the stacking chords. For edge-wise notching, provide at least one tie plate between each notch.



September 12, 2024

WARNING - Verify design parameters and READ NOTES ON THIS AND INCLUDED MITEK REFERENCE PAGE MII-7473 rev. 6/30/2020 BEFORE USE.

Design valid for use only with MiTek® connectors. This design is based only upon parameters shown, and is for an individual building component, not a truss system. Before use, the building designer must verify the applicability of design parameters and properly incorporate this design into the overall building design. Bracing indicated is to prevent buckling of individual truss web and/or chord members only. Additional temporary and permanent bracing is always required for stability and to prevent collapse with possible personal injury and property damage. For general guidance regarding the fabrication, storage, delivery, erection and bracing of trusses and truss systems, see

ANSI/TPI1 Quality Criteria, DSB-89 and BCSI Building Component Safety Information available from Truss Plate Institute, 2670 Crain Highway, Suite 203 Waldorf, MD 20601



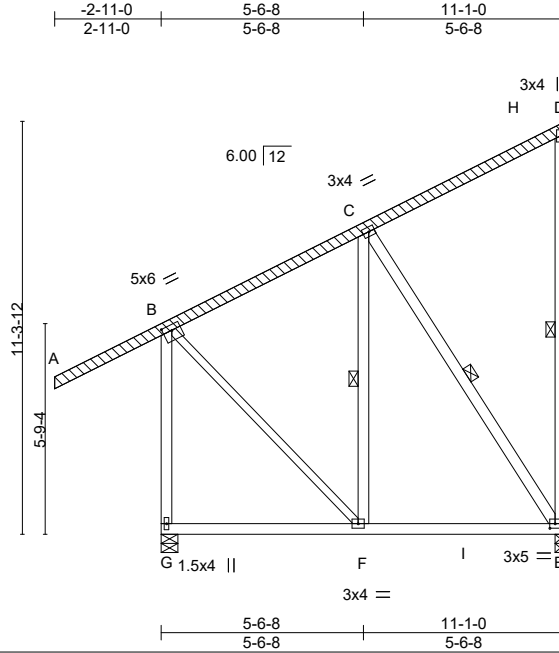
240 Stirling Crescent
 Bradford, ON. L3Z 4L5

Job	Truss	Truss Type	Qty	Ply	Buildings A-H	U1530811
N0653A	W2	Monopitch	20	1		

Alliance Truss (CA), Abbotsford, BC - V2S 7P6,

8.630 s Jul 12 2024 MiTek Industries, Inc. Thu Sep 12 02:47:51 2024 Page 1

ID:hFyjDMxrTsEK_kgkR0vWWVzFfgc-RfC?PsB70Hq3NSgPqnL8w3ulTXbGKWrCDoi7J4zJC?f



Scale = 1:63.1

Plate Offsets (X,Y)-- [B:0-3-0,0-1-12], [D:Edge,0-1-12], [E:0-1-12,0-1-8]

LOADING (psf)	SPACING-	CSI.	DEFL.	in (loc)	l/defl	L/d	PLATES	GRIP
TCLL 25.0 (Roof Snow=25.0)	2-0-0 Plate Grip DOL 1.15	TC 0.63	Vert(LL)	-0.04 E-F	>999	360	MT20	197/144
TCDL 12.0	Lumber DOL 1.15	BC 0.29	Vert(CT)	-0.06 E-F	>999	240		
BCLL 0.0 *	Rep Stress Incr YES	WB 0.18	Horz(CT)	-0.00 E	n/a	n/a		
BCDL 10.0	Code IBC2018/TPI2014	Matrix-MS	Wind(LL)	-0.03 E-F	>999	240	Weight: 93 lb	FT = 20%

LUMBER-

TOP CHORD 2x4 SPF No.2
 BOT CHORD 2x4 SPF No.2
 WEBS 2x4 SPF No.2 *Except*
 B-F: 2x3 SPF No.2
 OTHERS 2x4 SPF No.2
 LBR SCAB A-D 2x4 SPF No.2 one side

BRACING-

TOP CHORD Structural wood sheathing directly applied or 6-0-0 oc purlins, except end verticals.
 BOT CHORD Rigid ceiling directly applied or 6-0-0 oc bracing.
 WEBS 1 Row at midpt D-E, C-F, C-E

REACTIONS.

(size) G=0-5-8, E=0-3-8
 Max Horz G=345(LC 7)
 Max Uplift G=-79(LC 10), E=-175(LC 7)
 Max Grav G=817(LC 17), E=637(LC 3)

FORCES. (lb) - Max. Comp./Max. Ten. - All forces 250 (lb) or less except when shown.

TOP CHORD B-C=-356/37, D-E=-261/53, B-G=-774/103
 BOT CHORD F-G=-322/137, E-F=-153/251
 WEBS C-E=-408/155, B-F=-19/412

NOTES-

- Attached 15-9-9 scab A to D, front face(s) 2x4 SPF No.2 with 1 row(s) of 10d (0.131"x3") nails spaced 9" o.c. except : starting at 2-5-1 from end at joint A, nail 1 row(s) at 4" o.c. for 2-0-0; starting at 8-5-8 from end at joint A, nail 1 row(s) at 7" o.c. for 2-0-0; starting at 13-5-14 from end at joint A, nail 1 row(s) at 7" o.c. for 2-0-0.
- Wind: ASCE 7-16; Vult=115mph (3-second gust) Vasd=91mph; TCDL=4.2psf; BCDL=5.0psf; h=30ft; Ke=1.00; Cat. II; Exp B; Enclosed; MWFRS (envelope) gable end zone; cantilever left and right exposed ; end vertical left and right exposed; Lumber DOL=1.33 plate grip DOL=1.33
- TCLL: ASCE 7-16; Pf=25.0 psf (Lum DOL=1.15 Plate DOL=1.15); Is=1.0; Rough Cat B; Partially Exp.; Ce=1.0; Cs=1.0; Ct=1.10
- Unbalanced snow loads have been considered for this design.
- This truss has been designed for greater of min roof live load of 18.0 psf or 2.00 times flat roof load of 25.0 psf on overhangs non-concurrent with other live loads.
- This truss has been designed for a 10.0 psf bottom chord live load nonconcurrent with any other live loads.
- * This truss has been designed for a live load of 20.0psf on the bottom chord in all areas where a rectangle 3-6-0 tall by 2-0-0 wide will fit between the bottom chord and any other members, with BCDL = 10.0psf.
- Provide mechanical connection (by others) of truss to bearing plate capable of withstanding 100 lb uplift at joint(s) G except (jt=lb) E=175.
- This truss is designed in accordance with the 2018 International Building Code section 2306.1 and referenced standard ANSI/TPI 1.



September 12, 2024

WARNING - Verify design parameters and READ NOTES ON THIS AND INCLUDED MITEK REFERENCE PAGE MII-7473 rev. 6/30/2020 BEFORE USE.

Design valid for use only with MiTek® connectors. This design is based only upon parameters shown, and is for an individual building component, not a truss system. Before use, the building designer must verify the applicability of design parameters and properly incorporate this design into the overall building design. Bracing indicated is to prevent buckling of individual truss web and/or chord members only. Additional temporary and permanent bracing is always required for stability and to prevent collapse with possible personal injury and property damage. For general guidance regarding the fabrication, storage, delivery, erection and bracing of trusses and truss systems, see

Safety Information available from Truss Plate Institute, 2670 Crain Highway, Suite 203 Waldorf, MD 20601

ANSI/TPI1 Quality Criteria, DSB-89 and BCSI Building Component



240 Stirling Crescent
 Bradford, ON. L3Z 4L5

Job N0653A	Truss X1	Truss Type GABLE	Qty 8	Ply 1	Buildings A-H Job Reference (optional)	U1530812
---------------	-------------	---------------------	----------	----------	---	----------

Alliance Truss (CA), Abbotsford, BC - V2S 7P6, 8.630 s Jul 12 2024 MiTek Industries, Inc. Thu Sep 12 02:47:52 2024 Page 1

ID:hFyjDMxrTsEK_kgkR0vWWVzFgC-RfC?PsB70Hq3NSgPqnL8w3ulTXbGKWrCDoi7J4zJC7f

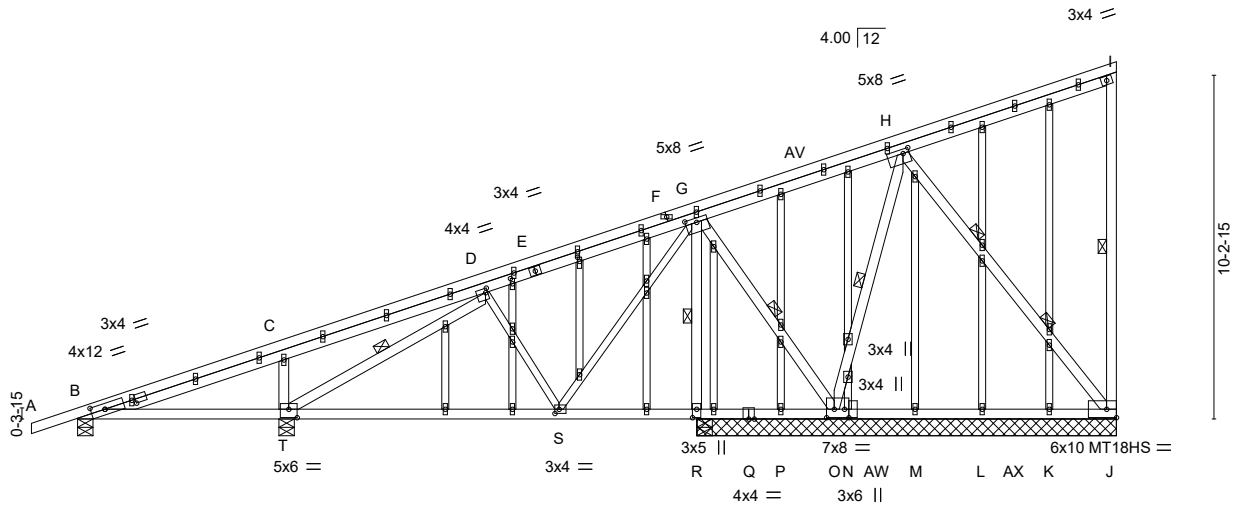
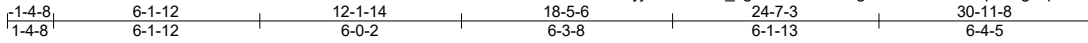


Plate Offsets (X,Y)--	[B:0-5-0,0-2-0], [B:0-11-7,0-1-8], [D:0-0-12,0-1-8], [G:0-4-0,0-1-8], [H:0-2-4,0-1-8], [N:0-3-0,0-1-9], [O:0-2-12,0-3-0], [R:0-3-0,0-1-8], [S:0-1-8,0-1-8], [T:0-3-0,0-3-0], [AM:0-1-7,0-0-12], [AO:0-1-14,0-0-12]
-----------------------	--

LOADING (psf)	SPACING-	CSI.	DEFL.	in (loc)	I/defl	L/d	PLATES	GRIP
TCLL 25.0 (Roof Snow=25.0)	2-0-0	TC 0.81	Vert(LL)	-0.10	S-T	>999	MT20	197/144
TCDL 12.0	Plate Grip DOL 1.15	BC 0.85	Vert(CT)	-0.19	S-T	>793	MT18HS	197/144
BCLL 0.0 *	Lumber DOL 1.15	WB 0.98	Horz(CT)	-0.11	K	n/a		
BCDL 10.0	Rep Stress Incr YES	Matrix-MS	Wind(LL)	0.07	T-AU	>999		
	Code IBC2018/TPI2014						Weight: 221 lb	FT = 20%

LUMBER-

TOP CHORD	2x4 SPF No.2
BOT CHORD	2x4 SPF No.2
WEBS	2x4 SPF No.2 *Except*
	D-S,G-S: 2x3 SPF No.2
OTHERS	2x3 SPF No.2

BRACING-

TOP CHORD	Structural wood sheathing directly applied or 3-10-7 oc purlins, except end verticals.
BOT CHORD	Rigid ceiling directly applied or 2-10-8 oc bracing.
WEBS	1 Row at midpt I-J, D-T, G-O, H-O, G-R 2 Rows at 1/3 pts H-J

REACTIONS.

- All bearings 12-6-0 except (jt=length) B=0-5-8, T=0-5-8.
- (lb) - Max Horz B=695(LC 35)
- Max Uplift All uplift 100 lb or less at joint(s) K except J=-2155(LC 35), B=-586(LC 32), T=-1144(LC 40), O=-921(LC 40), R=-2317(LC 40)
- Max Grav All reactions 250 lb or less at joint(s) K, L, M, N, P except J=2110(LC 52), B=797(LC 29), T=1707(LC 29), O=1235(LC 29), R=2529(LC 53), R=700(LC 1)

FORCES. (lb) - Max. Comp./Max. Ten. - All forces 250 (lb) or less except when shown.

TOP CHORD	B-C=-1550/1315, C-D=-1718/1614, D-G=-1364/1148, G-H=-939/899, H-I=-1746/1646, I-J=-309/54
BOT CHORD	B-T=-1524/1369, S-T=-3197/3234, R-S=-3728/3621, P-R=-3669/3594, O-P=-2209/2069, N-O=-3404/3316, M-N=-3160/3072, L-M=-1972/1883, K-L=-755/695, J-K=-1755/1667
WEBS	C-T=-462/160, D-T=-2219/2062, D-S=-634/643, G-S=-591/956, G-O=-2560/2584, H-O=-3058/2973, H-J=-2599/2671, G-R=-2457/2311

NOTES-

- Wind: ASCE 7-16; Vult=115mph (3-second gust) Vasd=91mph; TCDL=4.2psf; BCDL=5.0psf; h=30ft; Ke=1.00; Cat. II; Exp B; Enclosed; MWFRS (envelope) gable end zone; cantilever left and right exposed; end vertical left and right exposed; Lumber DOL=1.33 plate grip DOL=1.33
- Truss designed for wind loads in the plane of the truss only. For studs exposed to wind (normal to the face), see Standard Industry Gable End Details as applicable, or consult qualified building designer as per ANSI/TPI 1.
- TCLL: ASCE 7-16; Pf=25.0 psf (Lum DOL=1.15 Plate DOL=1.15); Is=1.0; Rough Cat B; Partially Exp.; Ce=1.0; Cs=1.00; Ct=1.10
- Unbalanced snow loads have been considered for this design.
- This truss has been designed for greater of min roof live load of 20.0 psf or 2.00 times flat roof load of 25.0 psf on overhangs non-concurrent with other live loads.
- All plates are MT20 plates unless otherwise indicated.
- All plates are 1.5x4 MT20 unless otherwise indicated.
- Gable studs spaced at 2-0-0 oc.
- This truss has been designed for a 10.0 psf bottom chord live load nonconcurrent with any other live loads.
- * This truss has been designed for a live load of 20.0psf on the bottom chord in all areas where a rectangle 3-6-0 tall by 2-0-0 wide will fit between the bottom chord and any other members, with BCDL = 10.0psf.
- Provide mechanical connection (by others) of truss to bearing plate capable of withstanding 100 lb uplift at joint(s) K except (jt=lb) J=2155, B=586, T=1144, O=921, R=2317.



September 12, 2024

Continued on page 2

WARNING - Verify design parameters and READ NOTES ON THIS AND INCLUDED MITEK REFERENCE PAGE MII-7473 rev. 6/30/2020 BEFORE USE.

Design valid for use only with MiTek® connectors. This design is based only on parameters shown, and is for an individual building component, not a truss system. Before use, the building designer must verify the applicability of design parameters and properly incorporate this design into the overall building design. Bracing indicated is to prevent buckling of individual truss web and/or chord members only. Additional temporary and permanent bracing is always required for stability and to prevent collapse with possible personal injury and property damage. For general guidance regarding the fabrication, storage, delivery, erection and bracing of trusses and truss systems, see

ANSI/TPI1 Quality Criteria, DSB-89 and BCSI Building Component

Safety Information available from Truss Plate Institute, 2670 Crain Highway, Suite 203 Waldorf, MD 20601



240 Stirling Crescent
Bradford, ON. L3Z 4L5

Job	Truss	Truss Type	Qty	Ply	Buildings A-H	U1530812
N0653A	X1	GABLE	8	1	Job Reference (optional)	

Alliance Truss (CA), Abbotsford, BC - V2S 7P6,

8.630 s Jul 12 2024 MiTek Industries, Inc. Thu Sep 12 02:47:52 2024 Page 2
 ID:hFyjDMxrTsEK_kgkR0vWWVzFgc-RfC?PsB70Hq3NSgPqnL8w3ulTXbGKWrCDoi7J4zJC?f

- NOTES-**
- 12) This truss is designed in accordance with the 2018 International Building Code section 2306.1 and referenced standard ANSI/TPI 1.
 - 13) This truss has been designed for a total drag load of 240 plf. Lumber DOL=(1.33) Plate grip DOL=(1.33) Connect truss to resist drag loads along bottom chord from 18-5-8 to 30-11-8 for 594.4 plf.
 - 14) No notches allowed in overhang and 10408 from left end and 0 from right end or 12" along rake from scarf, whichever is larger. Minimum 1.5x4 tie plates required at 2-0-0 o.c. maximum between the stacking chords. For edge-wise notching, provide at least one tie plate between each notch.

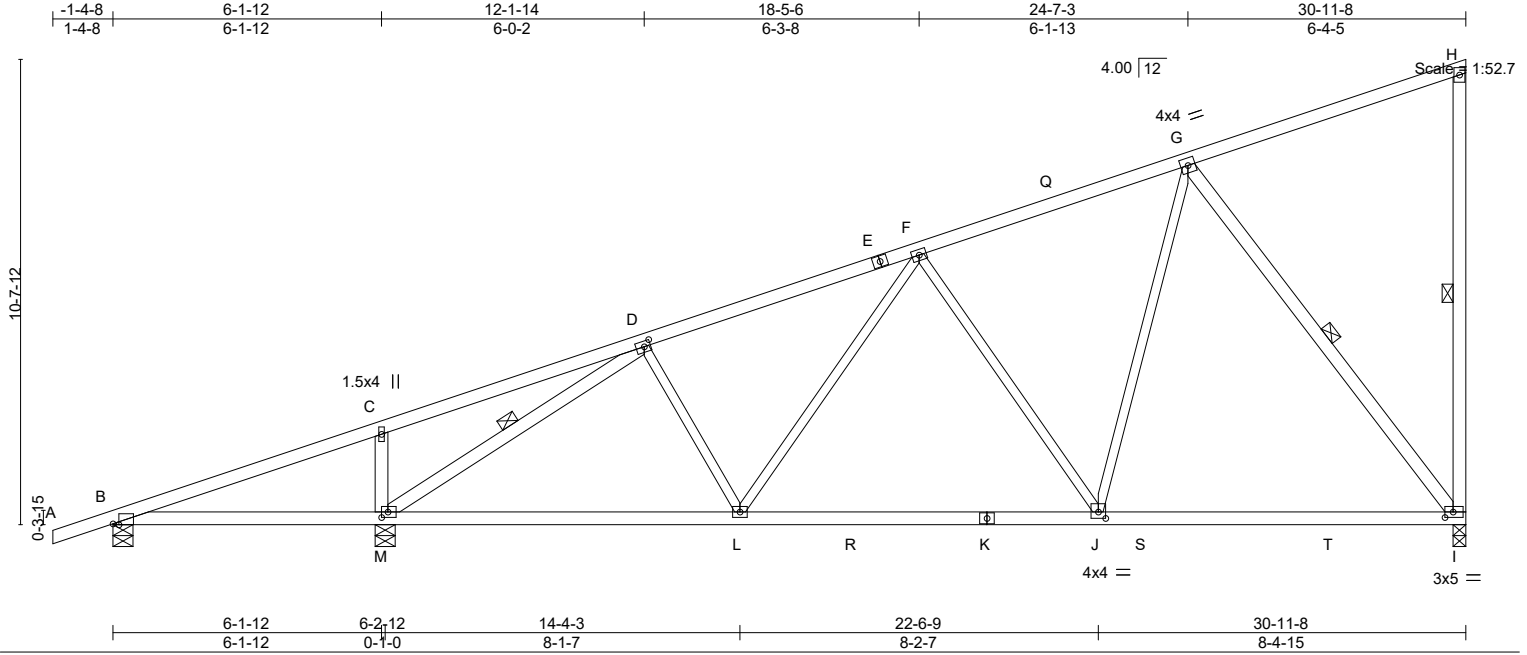
WARNING - Verify design parameters and READ NOTES ON THIS AND INCLUDED MITEK REFERENCE PAGE MII-7473 rev. 6/30/2020 BEFORE USE.
 Design valid for use only with MiTek® connectors. This design is based only upon parameters shown, and is for an individual building component, not a truss system. Before use, the building designer must verify the applicability of design parameters and properly incorporate this design into the overall building design. Bracing indicated is to prevent buckling of individual truss web and/or chord members only. Additional temporary and permanent bracing is always required for stability and to prevent collapse with possible personal injury and property damage. For general guidance regarding the fabrication, storage, delivery, erection and bracing of trusses and truss systems, see **ANSI/TPI1 Quality Criteria, DSB-89 and BCSI Building Component Safety Information** available from Truss Plate Institute, 2670 Crain Highway, Suite 203 Waldorf, MD 20601



Job N0653A	Truss X2	Truss Type Monopitch	Qty 32	Ply 1	Buildings A-H	U1530813
---------------	-------------	-------------------------	-----------	----------	---------------	----------

Alliance Truss (CA), Abbotsford, BC - V2S 7P6, 8.630 s Jul 12 2024 MiTek Industries, Inc. Thu Sep 12 02:47:53 2024 Page 1

ID:hFyjDMxrTsEK_kgkR0vWWVzFfgc-RfC?PsB70Hq3NSgPqnL8w3ulTXbGKWrCDoi7J4zJC?f



LOADING (psf)	SPACING-	CSI.	DEFL.	PLATES	GRIP
TCLL 25.0 (Roof Snow=25.0)	2-0-0 Plate Grip DOL 1.15 Lumber DOL 1.15	TC 0.78 BC 0.84 WB 0.76	in (loc) l/defl L/d Vert(LL) -0.22 I-J >999 360 Vert(CT) -0.35 I-J >842 240 Horz(CT) 0.05 I n/a n/a Wind(LL) -0.06 I-J >999 240	MT20	197/144
TCDL 12.0	Rep Stress Incr YES	Matrix-MS		Weight: 129 lb	FT = 20%
BCLL 0.0 *	Code IBC2018/TPI2014				
BCDL 10.0					

LUMBER-	BRACING-
TOP CHORD 2x4 SPF No.2	TOP CHORD Structural wood sheathing directly applied or 4-4-1 oc purlins, except end verticals.
BOT CHORD 2x4 SPF No.2	BOT CHORD Rigid ceiling directly applied or 10-0-0 oc bracing, Except: 6-0-0 oc bracing: B-M.
WEBS 2x4 SPF No.2 *Except* D-L,F-L,F-J,G-J: 2x3 SPF No.2	WEBS 1 Row at midpt H-I, D-M, G-I

REACTIONS. (size) I=0-3-8, B=0-5-8, M=0-5-8
 Max Horz B=347(LC 9)
 Max Uplift I=-169(LC 10), B=-48(LC 6), M=-195(LC 10)
 Max Grav I=1468(LC 3), B=291(LC 1), M=1728(LC 3)

FORCES. (lb) - Max. Comp./Max. Ten. - All forces 250 (lb) or less except when shown.
 TOP CHORD D-F=-1555/160, F-G=-1151/138, H-I=-301/52
 BOT CHORD B-M=-285/0, L-M=-188/1346, J-L=-147/1312, I-J=-112/834
 WEBS C-M=-473/153, D-M=-1830/189, F-J=-549/154, G-J=-51/847, G-I=-1360/201


- NOTES-**
- 1) Wind: ASCE 7-16; Vult=115mph (3-second gust) Vasd=91mph; TCDL=4.2psf; BCDL=5.0psf; h=30ft; Ke=1.00; Cat. II; Exp B; Enclosed; MWFRS (envelope) gable end zone; cantilever left and right exposed; end vertical left and right exposed; Lumber DOL=1.33 plate grip DOL=1.33
 - 2) TCLL: ASCE 7-16; Pf=25.0 psf (Lum DOL=1.15 Plate DOL=1.15); Is=1.0; Rough Cat B; Partially Exp.; Ce=1.0; Cs=1.0; Ct=1.10
 - 3) Unbalanced snow loads have been considered for this design.
 - 4) This truss has been designed for greater of min roof live load of 20.0 psf or 2.00 times flat roof load of 25.0 psf on overhangs non-concurrent with other live loads.
 - 5) All plates are 3x4 MT20 unless otherwise indicated.
 - 6) This truss has been designed for a 10.0 psf bottom chord live load nonconcurrent with any other live loads.
 - 7) * This truss has been designed for a live load of 20.0psf on the bottom chord in all areas where a rectangle 3-6-0 tall by 2-0-0 wide will fit between the bottom chord and any other members, with BCDL = 10.0psf.
 - 8) Provide mechanical connection (by others) of truss to bearing plate capable of withstanding 100 lb uplift at joint(s) B except (jt=Ib) I=169, M=195.
 - 9) This truss is designed in accordance with the 2018 International Building Code section 2306.1 and referenced standard ANSI/TPI 1.



September 12, 2024

WARNING - Verify design parameters and READ NOTES ON THIS AND INCLUDED MITEK REFERENCE PAGE MII-7473 rev. 6/30/2020 BEFORE USE.

Design valid for use only with MiTek® connectors. This design is based only upon parameters shown, and is for an individual building component, not a truss system. Before use, the building designer must verify the applicability of design parameters and properly incorporate this design into the overall building design. Bracing indicated is to prevent buckling of individual truss web and/or chord members only. Additional temporary and permanent bracing is always required for stability and to prevent collapse with possible personal injury and property damage. For general guidance regarding the fabrication, storage, delivery, erection and bracing of trusses and truss systems, see **ANSI/TPI1 Quality Criteria, DSB-89 and BCSI Building Component Safety Information** available from Truss Plate Institute, 2670 Crain Highway, Suite 203 Waldorf, MD 20601



240 Stirling Crescent
Bradford, ON. L3Z 4L5

Job N0653A	Truss X3	Truss Type Roof Special	Qty 8	Ply 1	Buildings A-H Job Reference (optional)	U1530896
---------------	-------------	----------------------------	----------	----------	---	----------

Alliance Truss (CA), Abbotsford, BC - V2S 7P6, 8.820 s Aug 30 2024 MiTek Industries, Inc. Thu Sep 12 02:48:39 2024 Page 1

ID:hFyjDMxrTsEK_kgkR0vWWVzFlgc-g3eRq6TxD3_oVosw1J3zq2t4x9Gj6CjPtIK2_TyeVqc

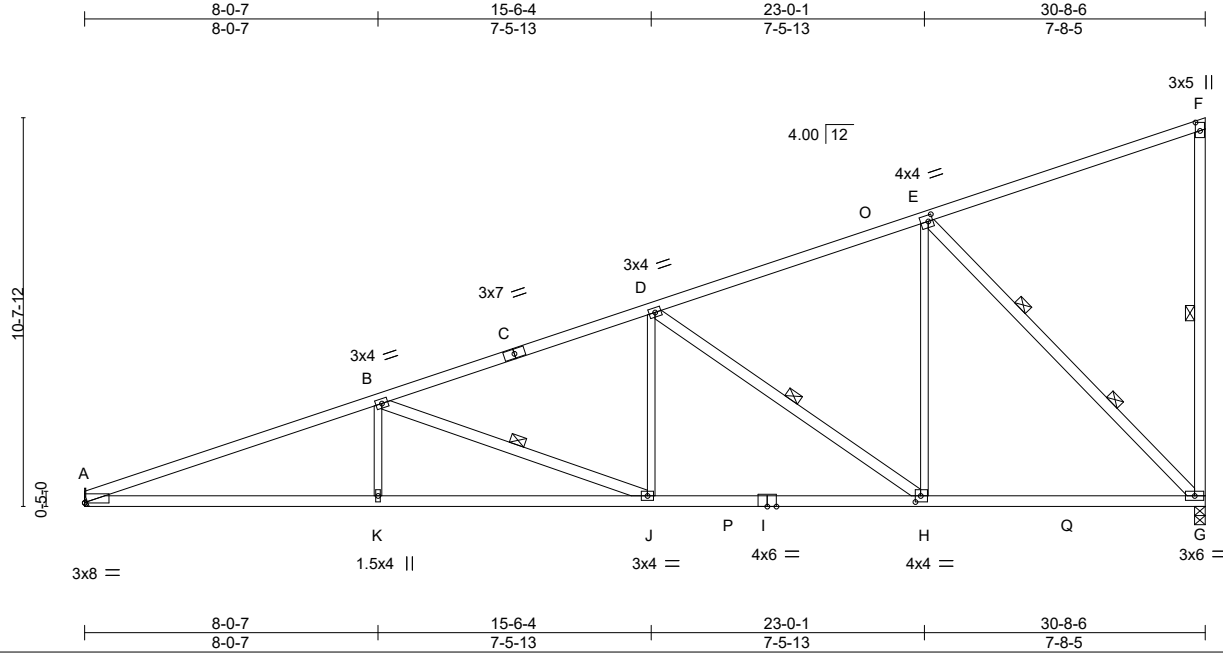


Plate Offsets (X,Y)-- [A:0-0-0,0-0-2], [E:0-1-8,0-2-0], [F:0-2-12,0-1-8], [H:0-1-12,0-2-0]

LOADING (psf)	SPACING-	CSI.	DEFL.	PLATES	GRIP
TCLL 25.0 (Roof Snow=25.0)	2-0-0 Plate Grip DOL 1.15	TC 0.99	in (loc) l/defl L/d	MT20	197/144
TCDL 12.0	Lumber DOL 1.15	BC 0.92	Vert(LL) -0.22 J-K >999 360		
BCLL 0.0 *	Rep Stress Incr YES	WB 0.76	Vert(CT) -0.40 J-K >924 240		
BCDL 10.0	Code IBC2018/TPI2014	Matrix-MS	Horz(CT) 0.11 G n/a n/a		
			Wind(LL) 0.10 K-N >999 240	Weight: 127 lb	FT = 20%

LUMBER-

TOP CHORD 2x4 SPF 2100F 1.8E *Except*
A-C: 2x4 SPF No.2
BOT CHORD 2x4 SPF 2100F 1.8E *Except*
G-I: 2x4 SPF No.2
WEBS 2x4 SPF No.2 *Except*
B-K,D-J,E-H: 2x3 SPF No.2

BRACING-

TOP CHORD Structural wood sheathing directly applied, except end verticals.
BOT CHORD Rigid ceiling directly applied or 10-0-0 oc bracing, Except:
2-2-0 oc bracing: H-J.
WEBS 1 Row at midpt F-G, B-J, D-H
2 Rows at 1/3 pts E-G

REACTIONS.

(size) G=0-3-8, A=Mechanical
Max Horz A=338(LC 9)
Max Uplift G=-207(LC 10), A=-156(LC 6)
Max Grav G=1753(LC 3), A=1524(LC 3)

FORCES. (lb) - Max. Comp./Max. Ten. - All forces 250 (lb) or less except when shown.

TOP CHORD A-B=-3682/372, B-D=-2548/265, D-E=-1444/167, F-G=-367/63
BOT CHORD A-K=-451/3429, J-K=-451/3429, H-J=-273/2347, G-H=-118/1309
WEBS B-K=0/317, B-J=-1155/190, D-J=0/652, D-H=-1291/206, E-H=-48/1084, E-G=-1856/257

NOTES-

- Wind: ASCE 7-16; Vult=115mph (3-second gust) Vasd=91mph; TCDL=4.2psf; BCDL=5.0psf; h=30ft; Ke=1.00; Cat. II; Exp B; Enclosed; MWFRS (envelope) gable end zone; cantilever left and right exposed; end vertical left and right exposed; Lumber DOL=1.33 plate grip DOL=1.33
- TCLL: ASCE 7-16; Pf=25.0 psf (Lum DOL = 1.15 Plate DOL = 1.15); Is=1.0; Rough Cat B; Partially Exp.; Ce=1.0; Cs=1.00; Ct=1.10
- Unbalanced snow loads have been considered for this design.
- This truss has been designed for a 10.0 psf bottom chord live load nonconcurrent with any other live loads.
- * This truss has been designed for a live load of 20.0psf on the bottom chord in all areas where a rectangle 3-6-0 tall by 2-0-0 wide will fit between the bottom chord and any other members, with BCDL = 10.0psf.
- Refer to girder(s) for truss to truss connections.
- Provide mechanical connection (by others) of truss to bearing plate capable of withstanding 100 lb uplift at joint(s) except (jt=lb) G=207, A=156.
- This truss is designed in accordance with the 2018 International Building Code section 2306.1 and referenced standard ANSI/TPI 1.



September 12, 2024

WARNING - Verify design parameters and READ NOTES ON THIS AND INCLUDED MITEK REFERENCE PAGE MII-7473 rev. 6/30/2020 BEFORE USE.

Design valid for use only with MiTek® connectors. This design is based only upon parameters shown, and is for an individual building component, not a truss system. Before use, the building designer must verify the applicability of design parameters and properly incorporate this design into the overall building design. Bracing indicated is to prevent buckling of individual truss web and/or chord members only. Additional temporary and permanent bracing is always required for stability and to prevent collapse with possible personal injury and property damage. For general guidance regarding the fabrication, storage, delivery, erection and bracing of trusses and truss systems, see **ANSI/TPI1 Quality Criteria, DSB-89 and BCSI Building Component Safety Information** available from Truss Plate Institute, 2670 Crain Highway, Suite 203 Waldorf, MD 20601



Job	Truss	Truss Type	Qty	Ply	Buildings A-H	U1530897
N0653A	X3A	Roof Special	48	1		

Alliance Truss (CA), Abbotsford, BC - V2S 7P6, 8.820 s Aug 30 2024 MiTek Industries, Inc. Thu Sep 12 02:48:39 2024 Page 1
 ID:hFyjDMxrTsEK_kgkR0vWVvzFlgc-g3eRq6TxD3_oVosw1J3zq2t8f9H669FPtIK2_TyeVqc

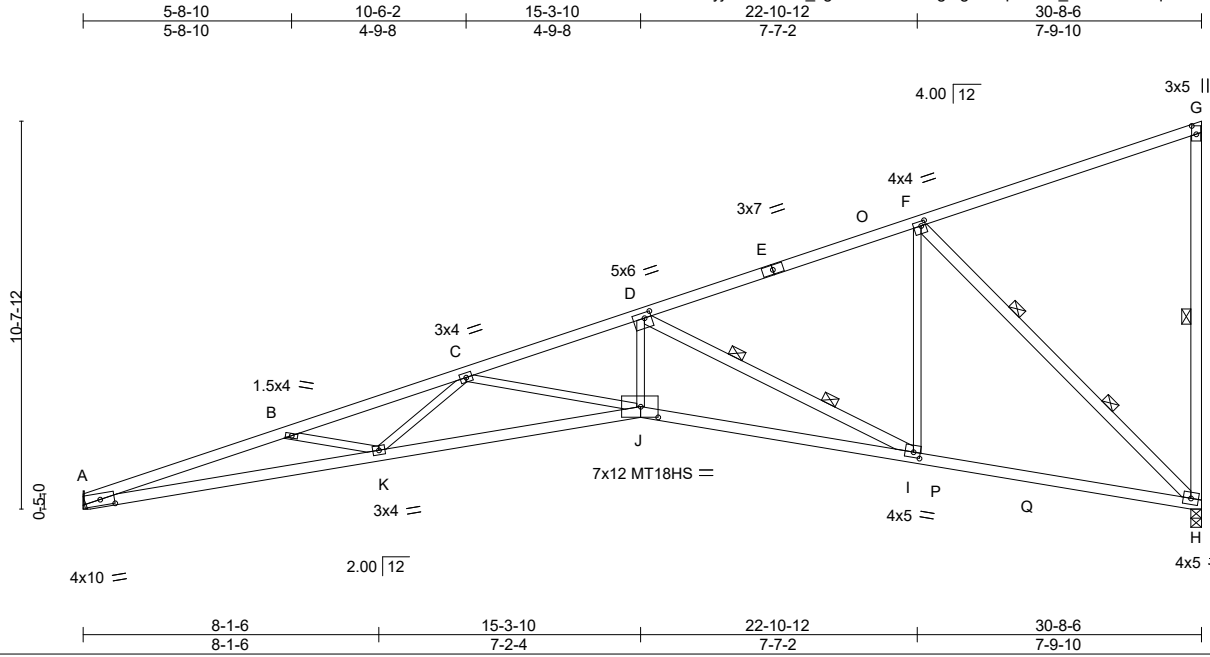


Plate Offsets (X,Y)-- [A:0-4-11,0-2-0], [D:0-2-4,0-1-12], [F:0-1-8,0-1-8], [G:0-2-12,0-1-8], [I:0-2-4,0-1-12], [J:0-5-12,0-3-8]

LOADING (psf)	SPACING-	CSI.	DEFL.	PLATES	GRIP
TCLL 25.0 (Roof Snow=25.0)	2-0-0 Plate Grip DOL 1.15 Lumber DOL 1.15	TC 0.76 BC 0.83 WB 0.92 Matrix-MS	in (loc) l/defl L/d Vert(LL) -0.65 J-K >568 360 Vert(CT) -1.16 J-K >317 240 Horz(CT) 0.50 H n/a n/a Wind(LL) 0.34 J-K >999 240	MT20 MT18HS	197/144 197/144
TCDL 12.0	Rep Stress Incr YES Code IBC2018/TPI2014			Weight: 121 lb	FT = 20%
BCLL 0.0 *					
BCDL 10.0					

LUMBER-

TOP CHORD 2x4 SPF 2100F 1.8E
 BOT CHORD 2x4 SPF 2100F 1.8E
 WEBS 2x3 SPF No.2 *Except*
 G-H,D-I,F-H: 2x4 SPF No.2

BRACING-

TOP CHORD Structural wood sheathing directly applied or 2-2-8 oc purlins, except end verticals.
 BOT CHORD Rigid ceiling directly applied or 8-2-13 oc bracing.
 WEBS 1 Row at midpt G-H
 2 Rows at 1/3 pts D-I, F-H

REACTIONS.

(size) H=0-3-8, A=Mechanical
 Max Horz A=339(LC 9)
 Max Uplift H=-208(LC 10), A=-156(LC 6)
 Max Grav H=1745(LC 16), A=1521(LC 3)

FORCES. (lb) - Max. Comp./Max. Ten. - All forces 250 (lb) or less except when shown.

TOP CHORD A-B=-6667/817, B-C=-6340/677, C-D=-4792/541, D-F=-1721/188, G-H=-367/63
 BOT CHORD A-K=-905/6352, J-K=-748/5680, I-J=-549/4582, H-I=-147/1630
 WEBS B-K=-389/180, C-K=0/586, C-J=-1107/201, D-J=-191/2169, D-I=-3298/458, F-I=-67/1380,
 F-H=-2226/290

NOTES-

- 1) Wind: ASCE 7-16; Vult=115mph (3-second gust) Vasd=91mph; TCDL=4.2psf; BCDL=5.0psf; h=30ft; Ke=1.00; Cat. II; Exp B; Enclosed; MWFRS (envelope) gable end zone; cantilever left and right exposed ; end vertical left and right exposed; Lumber DOL=1.33 plate grip DOL=1.33
- 2) TCLL: ASCE 7-16; Pf=25.0 psf (Lum DOL = 1.15 Plate DOL = 1.15); Is=1.0; Rough Cat B; Partially Exp.; Ce=1.0; Cs=1.00; Ct=1.10
- 3) Unbalanced snow loads have been considered for this design.
- 4) All plates are MT20 plates unless otherwise indicated.
- 5) This truss has been designed for a 10.0 psf bottom chord live load nonconcurrent with any other live loads.
- 6) * This truss has been designed for a live load of 20.0psf on the bottom chord in all areas where a rectangle 3-6-0 tall by 2-0-0 wide will fit between the bottom chord and any other members, with BCDL = 10.0psf.
- 7) Refer to girder(s) for truss to truss connections.
- 8) Bearing at joint(s) H considers parallel to grain value using ANSI/TPI 1 angle to grain formula. Building designer should verify capacity of bearing surface.
- 9) Provide mechanical connection (by others) of truss to bearing plate capable of withstanding 100 lb uplift at joint(s) except (jt=lb) H=208, A=156.
- 10) This truss is designed in accordance with the 2018 International Building Code section 2306.1 and referenced standard ANSI/TPI 1.



September 12, 2024

WARNING - Verify design parameters and READ NOTES ON THIS AND INCLUDED MITEK REFERENCE PAGE MII-7473 rev. 6/30/2020 BEFORE USE.

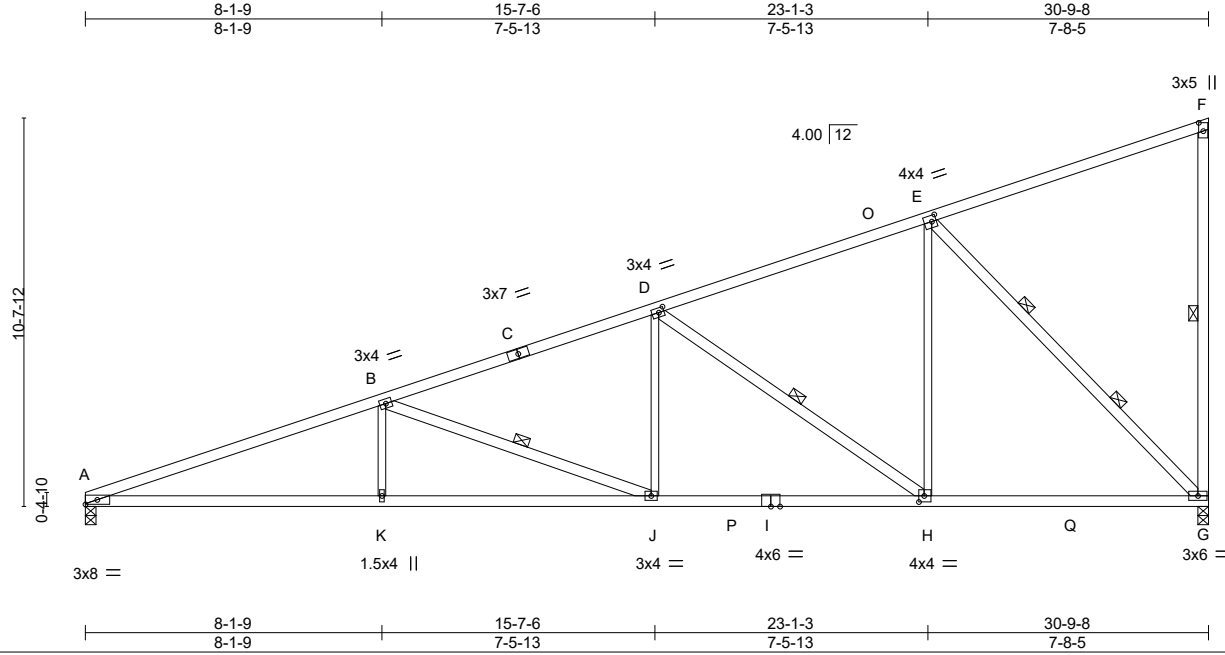
Design valid for use only with MiTek® connectors. This design is based only upon parameters shown, and is for an individual building component, not a truss system. Before use, the building designer must verify the applicability of design parameters and properly incorporate this design into the overall building design. Bracing indicated is to prevent buckling of individual truss web and/or chord members only. Additional temporary and permanent bracing is always required for stability and to prevent collapse with possible personal injury and property damage. For general guidance regarding the fabrication, storage, delivery, erection and bracing of trusses and truss systems, see **ANSI/TPI1 Quality Criteria, DSB-89 and BCSI Building Component Safety Information** available from Truss Plate Institute, 2670 Crain Highway, Suite 203 Waldorf, MD 20601



Job	Truss	Truss Type	Qty	Ply	Buildings A-H	U1530814
N0653A	X4	Monopitch	48	1		

Alliance Truss (CA), Abbotsford, BC - V2S 7P6, 8.630 s Jul 12 2024 MiTek Industries, Inc. Thu Sep 12 02:47:53 2024 Page 1

ID:hFyjDMxrTsEK_kgkR0vWWVzFgC-RfC?PsB70Hq3NSgPqnL8w3ulTXbGKWrCDoi7JzJC?F



Scale = 1:63.2

Plate Offsets (X,Y)-- [D:0-1-12,0-1-8], [E:0-1-8,0-2-0], [F:0-2-12,0-1-8], [H:0-1-12,0-2-0]

LOADING (psf)	SPACING-	CSI.	DEFL.	in (loc)	l/defl	L/d	PLATES	GRIP
TCLL 25.0 (Roof Snow=25.0)	2-0-0 Plate Grip DOL 1.15	TC 0.72	Vert(LL) -0.21	J-K	>999	360	MT20	197/144
TCDL 12.0	Lumber DOL 1.15	BC 0.93	Vert(CT) -0.37	J-K	>988	240		
BCLL 0.0 *	Rep Stress Incr YES	WB 0.76	Horz(CT) 0.11	G	n/a	n/a		
BCDL 10.0	Code IBC2018/TPI2014	Matrix-MS	Wind(LL) 0.10	K-N	>999	240	Weight: 127 lb	FT = 20%

LUMBER-

TOP CHORD 2x4 SPF 2100F 1.8E
 BOT CHORD 2x4 SPF 2100F 1.8E *Except*
 G-I: 2x4 SPF No.2
 WEBS 2x4 SPF No.2 *Except*
 B-K,D-J,E-H: 2x3 SPF No.2

BRACING-

TOP CHORD Structural wood sheathing directly applied or 3-4-9 oc purlins, except end verticals.
 BOT CHORD Rigid ceiling directly applied or 10-0-0 oc bracing, Except: 2-2-0 oc bracing: H-J.
 WEBS 1 Row at midpt F-G, B-J, D-H
 2 Rows at 1/3 pts E-G

REACTIONS.

(size) G=0-3-8, A=0-3-8
 Max Horz A=338(LC 9)
 Max Uplift G=-208(LC 10), A=-156(LC 6)
 Max Grav G=1759(LC 3), A=1529(LC 3)

FORCES. (lb) - Max. Comp./Max. Ten. - All forces 250 (lb) or less except when shown.

TOP CHORD A-B=-3734/377, B-D=-2562/267, D-E=-1449/167, F-G=-367/63
 BOT CHORD A-K=-457/3482, J-K=-457/3482, H-J=-274/2358, G-H=-118/1314
 WEBS B-K=0/325, B-J=-1199/195, D-J=0/664, D-H=-1298/206, E-H=-49/1089, E-G=-1864/258

NOTES-

- 1) Wind: ASCE 7-16; Vult=115mph (3-second gust) Vasd=91mph; TCDL=4.2psf; BCDL=5.0psf; h=30ft; Ke=1.00; Cat. II; Exp B; Enclosed; MWFRS (envelope) gable end zone; cantilever left and right exposed ; end vertical left and right exposed; Lumber DOL=1.33 plate grip DOL=1.33
- 2) TCLL: ASCE 7-16; Pf=25.0 psf (Lum DOL=1.15 Plate DOL=1.15); Is=1.0; Rough Cat B; Partially Exp.; Ce=1.0; Cs=1.00; Ct=1.10
- 3) Unbalanced snow loads have been considered for this design.
- 4) This truss has been designed for a 10.0 psf bottom chord live load nonconcurrent with any other live loads.
- 5) * This truss has been designed for a live load of 20.0psf on the bottom chord in all areas where a rectangle 3-6-0 tall by 2-0-0 wide will fit between the bottom chord and any other members, with BCDL = 10.0psf.
- 6) Provide mechanical connection (by others) of truss to bearing plate capable of withstanding 100 lb uplift at joint(s) except (jt=lb) G=208, A=156.
- 7) This truss is designed in accordance with the 2018 International Building Code section 2306.1 and referenced standard ANSI/TPI 1.



September 12, 2024

WARNING - Verify design parameters and READ NOTES ON THIS AND INCLUDED MITEK REFERENCE PAGE MII-7473 rev. 6/30/2020 BEFORE USE.

Design valid for use only with MiTek® connectors. This design is based only upon parameters shown, and is for an individual building component, not a truss system. Before use, the building designer must verify the applicability of design parameters and properly incorporate this design into the overall building design. Bracing indicated is to prevent buckling of individual truss web and/or chord members only. Additional temporary and permanent bracing is always required for stability and to prevent collapse with possible personal injury and property damage. For general guidance regarding the fabrication, storage, delivery, erection and bracing of trusses and truss systems, see

Safety Information available from Truss Plate Institute, 2670 Crain Highway, Suite 203 Waldorf, MD 20601

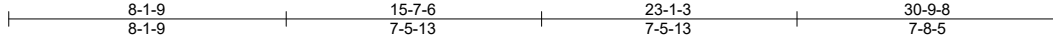


240 Stirling Crescent
 Bradford, ON. L3Z 4L5

Job N0653A	Truss X5	Truss Type GABLE	Qty 8	Ply 1	Buildings A-H Job Reference (optional)	U1530815
---------------	-------------	---------------------	----------	----------	---	----------

Alliance Truss (CA), Abbotsford, BC - V2S 7P6, 8.630 s Jul 12 2024 MiTek Industries, Inc. Thu Sep 12 02:47:55 2024 Page 1

ID:hFyjDMxrTsEK_kgkR0vWWVzFfgc-RfC?PsB70Hq3NSgPqnL8w3ulTXbGKWRcDoi7J4zJC?f



Scale = 1:67.5

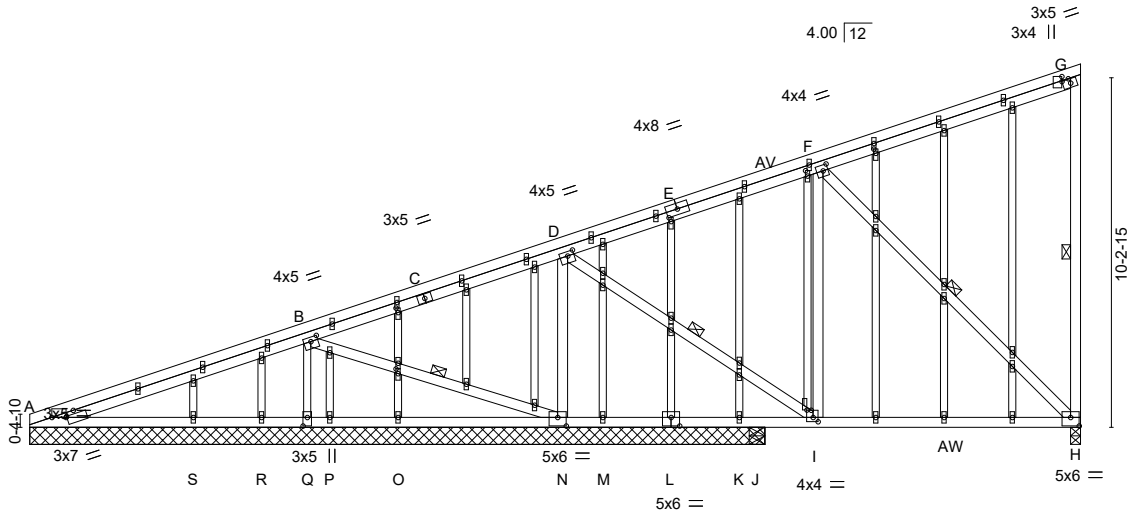


Plate Offsets (X,Y)-- [A:0-5-0,0-1-4], [B:0-2-8,0-1-8], [D:0-2-4,0-1-8], [F:0-1-12,0-2-0], [G:0-0-12,0-2-4], [G:0-2-12,0-1-8], [H:0-3-0,0-3-0], [I:0-0-1,0-1-8], [I:0-1-12,0-1-8], [L:0-3-0,0-3-0], [N:0-3-0,0-3-0], [Q:0-3-0,0-1-8], [Z:0-1-8,0-0-12], [AC:0-1-14,0-0-12], [AF:0-1-6,0-0-12], [AN:0-1-11,0-0-12], [AO:0-1-9,0-0-12], [AT:0-2-8,Edge]

LOADING (psf)	SPACING-	CSI.	DEFL.	PLATES	GRIP
TCLL 25.0 (Roof Snow=25.0)	2-0-0	TC 0.72	in (loc) l/defl L/d	MT20	197/144
TCDL 12.0	Plate Grip DOL 1.15	BC 0.72	Vert(LL) -0.13 H-I >842 360		
BCLL 0.0 *	Lumber DOL 1.15	WB 0.94	Vert(CT) -0.23 H-I >487 240		
BCDL 10.0	Rep Stress Incr YES	Matrix-MS	Horz(CT) -0.03 H n/a n/a	Weight: 216 lb	FT = 20%
	Code IBC2018/TPI2014		Wind(LL) -0.05 H-I >999 240		

LUMBER-	BRACING-
TOP CHORD 2x4 SPF No.2 *Except* C-G,A-C: 2x4 SPF 2100F 1.8E	TOP CHORD Structural wood sheathing directly applied or 4-0-8 oc purlins, except end verticals.
BOT CHORD 2x4 SPF No.2	BOT CHORD Rigid ceiling directly applied or 3-3-4 oc bracing.
WEBS 2x4 SPF No.2 *Except* B-Q: 2x3 SPF No.2	WEBS 1 Row at midpt G-H, B-N, D-I, F-H
OTHERS 2x3 SPF No.2	

REACTIONS. All bearings 21-6-8 except (jt=length) H=0-3-8, J=0-5-8.
 (lb) - Max Horz A=372(LC 38)
 Max Uplift All uplift 100 lb or less at joint(s) P, R, S except H=872(LC 40), A=-1004(LC 31), Q=-1526(LC 39), N=-981(LC 31), J=-318(LC 18)
 Max Grav All reactions 250 lb or less at joint(s) M, O, P, R, J except H=1507(LC 27), A=1129(LC 50), Q=1622(LC 28), N=1677(LC 28), K=291(LC 18), S=268(LC 29), A=302(LC 1)

FORCES. (lb) - Max. Comp./Max. Ten. - All forces 250 (lb) or less except when shown.
 TOP CHORD A-B=-3240/2962, B-D=-3490/3268, D-F=-3315/3036, F-G=-2063/1943, G-H=-365/63
 BOT CHORD A-S=-2591/2512, R-S=-1485/1406, Q-R=-799/720, P-Q=-376/286, O-P=-759/682,
 N-O=-2414/2337, M-N=-789/675, K-M=-2202/2088, J-K=-2370/2267, I-J=-2380/2267,
 H-I=-853/1112
 WEBS B-Q=-1589/1590, B-N=-2137/2135, D-N=-2036/1680, D-I=-1800/2008, F-I=-992/1119,
 F-H=-1543/1208

- NOTES-**
- 1) Wind: ASCE 7-16; Vult=115mph (3-second gust) Vasd=91mph; TCDL=4.2psf; BCDL=5.0psf; h=30ft; Ke=1.00; Cat. II; Exp B; Enclosed; MWFRS (envelope) gable end zone; cantilever left and right exposed ; end vertical left and right exposed; Lumber DOL=1.33 plate grip DOL=1.33
 - 2) Truss designed for wind loads in the plane of the truss only. For studs exposed to wind (normal to the face), see Standard Industry Gable End Details as applicable, or consult qualified building designer as per ANSI/TPI 1.
 - 3) TCLL: ASCE 7-16; Pf=25.0 psf (Lum DOL=1.15 Plate DOL=1.15); Is=1.0; Rough Cat B; Partially Exp.; Ce=1.0; Cs=1.00; Ct=1.10
 - 4) Unbalanced snow loads have been considered for this design.
 - 5) All plates are 1.5x4 MT20 unless otherwise indicated.
 - 6) Gable studs spaced at 2-0-0 oc.
 - 7) This truss has been designed for a 10.0 psf bottom chord live load nonconcurrent with any other live loads.
 - 8) * This truss has been designed for a live load of 20.0psf on the bottom chord in all areas where a rectangle 3-6-0 tall by 2-0-0 wide will fit between the bottom chord and any other members, with BCDL = 10.0psf.
 - 9) Provide mechanical connection (by others) of truss to bearing plate capable of withstanding 100 lb uplift at joint(s) P, R, S except (jt=lb) H=872, A=1004, Q=1526, N=981, J=318, A=1004.



September 12, 2024

Continued on page 2

WARNING - Verify design parameters and READ NOTES ON THIS AND INCLUDED MITEK REFERENCE PAGE MII-7473 rev. 6/30/2020 BEFORE USE.
 Design valid for use only with MiTek® connectors. This design is based only upon parameters shown, and is for an individual building component, not a truss system. Before use, the building designer must verify the applicability of design parameters and properly incorporate this design into the overall building design. Bracing indicated is to prevent buckling of individual truss web and/or chord members only. Additional temporary and permanent bracing is always required for stability and to prevent collapse with possible personal injury and property damage. For general guidance regarding the fabrication, storage, delivery, erection and bracing of trusses and truss systems, see **ANSI/TPI1 Quality Criteria, DSB-89 and BCSI Building Component Safety Information** available from Truss Plate Institute, 2670 Crain Highway, Suite 203 Waldorf, MD 20601



Job	Truss	Truss Type	Qty	Ply	Buildings A-H	U1530815
N0653A	X5	GABLE	8	1	Job Reference (optional)	

Alliance Truss (CA), Abbotsford, BC - V2S 7P6,

8.630 s Jul 12 2024 MiTek Industries, Inc. Thu Sep 12 02:47:55 2024 Page 2
 ID:hFyjDMxrTsEK_kgkR0vWWVzFgc-RfC?PsB70Hq3NSgPqnL8w3ulTXbGKWrCDoi7J4zJC?f

NOTES-

- 10) This truss is designed in accordance with the 2018 International Building Code section 2306.1 and referenced standard ANSI/TPI 1.
- 11) This truss has been designed for a total drag load of 240 plf. Lumber DOL=(1.33) Plate grip DOL=(1.33) Connect truss to resist drag loads along bottom chord from 0-0-0 to 21-6-8 for 343.1 plf.
- 12) No notches allowed in overhang and 0 from left end and 0 from right end or 12" along rake from scarf, whichever is larger. Minimum 1.5x4 tie plates required at 2-0-0 o.c. maximum between the stacking chords. For edge-wise notching, provide at least one tie plate between each notch.

WARNING - Verify design parameters and READ NOTES ON THIS AND INCLUDED MITEK REFERANCE PAGE MII-7473 rev. 6/30/2020 BEFORE USE.

Design valid for use only with MiTek® connectors. This design is based only upon parameters shown, and is for an individual building component, not a truss system. Before use, the building designer must verify the applicability of design parameters and properly incorporate this design into the overall building design. Bracing indicated is to prevent buckling of individual truss web and/or chord members only. Additional temporary and permanent bracing is always required for stability and to prevent collapse with possible personal injury and property damage. For general guidance regarding the fabrication, storage, delivery, erection and bracing of trusses and truss systems, see

Safety Information available from Truss Plate Institute, 2670 Crain Highway, Suite 203 Waldorf, MD 20601

ANSI/TPI1 Quality Criteria, DSB-89 and BCSI Building Component



240 Stirling Crescent
 Bradford, ON. L3Z 4L5

Job N0653A	Truss Y1	Truss Type GABLE	Qty 12	Ply 1	Buildings A-H Job Reference (optional)	U1530816
---------------	-------------	---------------------	-----------	----------	---	----------

Alliance Truss (CA), Abbotsford, BC - V2S 7P6, 8.630 s Jul 12 2024 MiTek Industries, Inc. Thu Sep 12 02:47:57 2024 Page 1

ID:hFyjDMxrTsEK_kgkR0vWWVzFfgc-RfC?PsB70Hq3NSgPqnL8w3ulTXbGKWrCD0i7J4zJC?f

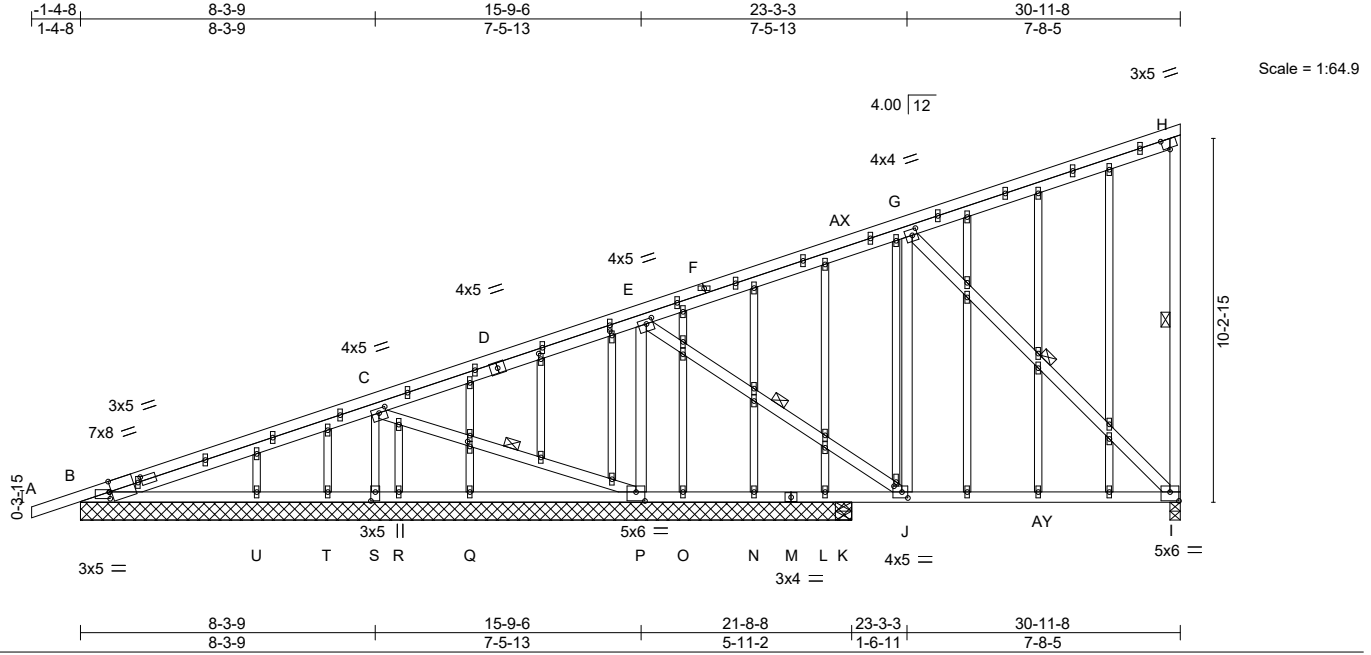


Plate Offsets (X,Y)-- [B:0-0-11,Edge], [B:0-11-7,0-1-8], [B:0-0-4,0-2-4], [C:0-2-8,0-1-8], [E:0-2-4,0-1-8], [G:0-1-12,0-2-0], [H:0-2-3,Edge], [I:0-3-0,0-3-0], [J:0-2-0,0-2-0], [J:0-1-6,0-0-12], [P:0-3-0,0-3-0], [S:0-3-0,0-1-8], [AM:0-1-7,0-0-12], [AO:0-1-14,0-0-12], [AP:0-1-11,0-0-12]

LOADING (psf)	SPACING-	CSI.	DEFL.	in (loc)	l/defl	L/d	PLATES	GRIP
TCLL 25.0 (Roof Snow=25.0)	2-0-0	TC 0.98	Vert(LL) -0.13	I-J	>841	360	MT20	197/144
TCDL 12.0	Plate Grip DOL 1.15	BC 0.72	Vert(CT) -0.23	I-J	>487	240		
BCLL 0.0 *	Lumber DOL 1.15	WB 0.98	Horz(CT) -0.03	I	n/a	n/a		
BCDL 10.0	Rep Stress Incr YES	Matrix-MS	Wind(LL) -0.05	I-J	>999	240	Weight: 218 lb	FT = 20%
	Code IBC2018/TPI2014							

LUMBER-	BRACING-
TOP CHORD 2x4 SPF No.2 *Except*	TOP CHORD Structural wood sheathing directly applied, except end verticals.
D-H,A-F: 2x4 SPF 2100F 1.8E	BOT CHORD Rigid ceiling directly applied or 3-6-4 oc bracing.
BOT CHORD 2x4 SPF No.2	WEBS 1 Row at midpt H-I, C-P, E-J, G-I
WEBS 2x4 SPF No.2 *Except*	
C-S: 2x3 SPF No.2	
OTHERS 2x3 SPF No.2	

REACTIONS. All bearings 21-8-8 except (jt=length) I=0-3-8, K=0-5-8.
 (lb) - Max Horz B=805(LC 35)
 Max Uplift All uplift 100 lb or less at joint(s) L, O, R, U except I=-905(LC 41), B=-1107(LC 32), S=-1564(LC 40), P=-1031(LC 32), T=-119(LC 1), K=-218(LC 19)
 Max Grav All reactions 250 lb or less at joint(s) L, N, Q, R, T, K except I=1537(LC 28), B=1202(LC 29), S=1662(LC 29), P=1764(LC 29), U=355(LC 26), B=492(LC 1)


FORCES. (lb) - Max. Comp./Max. Ten. - All forces 250 (lb) or less except when shown.
 TOP CHORD B-C=-3338/3068, C-E=-3380/3168, E-G=-3278/3005, G-H=-2062/1943, H-I=-369/63
 BOT CHORD B-U=-2446/2358, T-U=-1359/1255, S-T=-658/570, R-S=-253/165, Q-R=-920/818, P-Q=-2571/2469, O-P=-936/815, N-O=-1621/1499, L-N=-2306/2184, K-L=-2475/2362, J-K=-2484/2362, I-J=-887/1139
 WEBS C-S=-1590/1578, C-P=-2166/2183, E-P=-2102/1747, E-J=-1871/2083, G-J=-1034/1156, G-I=-1582/1255

- NOTES-**
- 1) Wind: ASCE 7-16; Vult=115mph (3-second gust) Vasd=91mph; TCDL=4.2psf; BCDL=5.0psf; h=30ft; Ke=1.00; Cat. II; Exp B; Enclosed; MWFRS (envelope) gable end zone; cantilever left and right exposed; end vertical left and right exposed; Lumber DOL=1.33 plate grip DOL=1.33
 - 2) Truss designed for wind loads in the plane of the truss only. For studs exposed to wind (normal to the face), see Standard Industry Gable End Details as applicable, or consult qualified building designer as per ANSI/TPI 1.
 - 3) TCLL: ASCE 7-16; Pf=25.0 psf (Lum DOL=1.15 Plate DOL=1.15); Is=1.0; Rough Cat B; Partially Exp.; Ce=1.0; Cs=1.00; Ct=1.10
 - 4) Unbalanced snow loads have been considered for this design.
 - 5) This truss has been designed for greater of min roof live load of 20.0 psf or 2.00 times flat roof load of 25.0 psf on overhangs non-concurrent with other live loads.
 - 6) All plates are 1.5x4 MT20 unless otherwise indicated.
 - 7) Gable studs spaced at 2-0-0 oc.
 - 8) This truss has been designed for a 10.0 psf bottom chord live load nonconcurrent with any other live loads.
 - 9) * This truss has been designed for a live load of 20.0psf on the bottom chord in all areas where a rectangle 3-6-0 tall by 2-0-0 wide will fit between the bottom chord and any other members, with BCDL = 10.0psf.
 - 10) Provide mechanical connection (by others) of truss to bearing plate capable of withstanding 100 lb uplift at joint(s) L, O, R, U except I=0-3-8, B=1107, S=1564, P=1031, T=119, K=218, B=1107.



September 12, 2024

WARNING - Verify design parameters and READ NOTES ON THIS AND INCLUDED MITEK REFERENCE PAGE MII-7473 rev. 6/30/2020 BEFORE USE.
 Design valid for use only with MiTek® connectors. This design is based only upon parameters shown, and is for an individual building component, not a truss system. Before use, the building designer must verify the applicability of design parameters and properly incorporate this design into the overall building design. Bracing indicated is to prevent buckling of individual truss web and/or chord members only. Additional temporary and permanent bracing is always required for stability and to prevent collapse with possible personal injury and property damage. For general guidance regarding the fabrication, storage, delivery, erection and bracing of trusses and truss systems, see **ANSI/TPI1 Quality Criteria, DSB-89 and BCSI Building Component Safety Information** available from Truss Plate Institute, 2670 Crain Highway, Suite 203 Waldorf, MD 20601



240 Stirling Crescent
Bradford, ON. L3Z 4L5

Job	Truss	Truss Type	Qty	Ply	Buildings A-H	U1530816
N0653A	Y1	GABLE	12	1	Job Reference (optional)	

Alliance Truss (CA), Abbotsford, BC - V2S 7P6,

8.630 s Jul 12 2024 MiTek Industries, Inc. Thu Sep 12 02:47:57 2024 Page 2
ID:hFyjDMxrTsEK_kgkR0vWWVzFgc-RfC?PsB70Hq3NSgPqnL8w3ulTXbGKWrCDoi7J4zJC?f

NOTES-

- 11) This truss is designed in accordance with the 2018 International Building Code section 2306.1 and referenced standard ANSI/TPI 1.
- 12) This truss has been designed for a total drag load of 240 plf. Lumber DOL=(1.33) Plate grip DOL=(1.33) Connect truss to resist drag loads along bottom chord from 0-0-0 to 21-8-8 for 342.3 plf.
- 13) No notches allowed in overhang and 10408 from left end and 0 from right end or 12" along rake from scarf, whichever is larger. Minimum 1.5x4 tie plates required at 2-0-0 o.c. maximum between the stacking chords. For edge-wise notching, provide at least one tie plate between each notch.

WARNING - Verify design parameters and READ NOTES ON THIS AND INCLUDED MITEK REFERENCE PAGE MII-7473 rev. 6/30/2020 BEFORE USE.

Design valid for use only with MiTek® connectors. This design is based only upon parameters shown, and is for an individual building component, not a truss system. Before use, the building designer must verify the applicability of design parameters and properly incorporate this design into the overall building design. Bracing indicated is to prevent buckling of individual truss web and/or chord members only. Additional temporary and permanent bracing is always required for stability and to prevent collapse with possible personal injury and property damage. For general guidance regarding the fabrication, storage, delivery, erection and bracing of trusses and truss systems, see

Safety Information available from Truss Plate Institute, 2670 Crain Highway, Suite 203 Waldorf, MD 20601

ANSI/TPI1 Quality Criteria, DSB-89 and BCSI Building Component



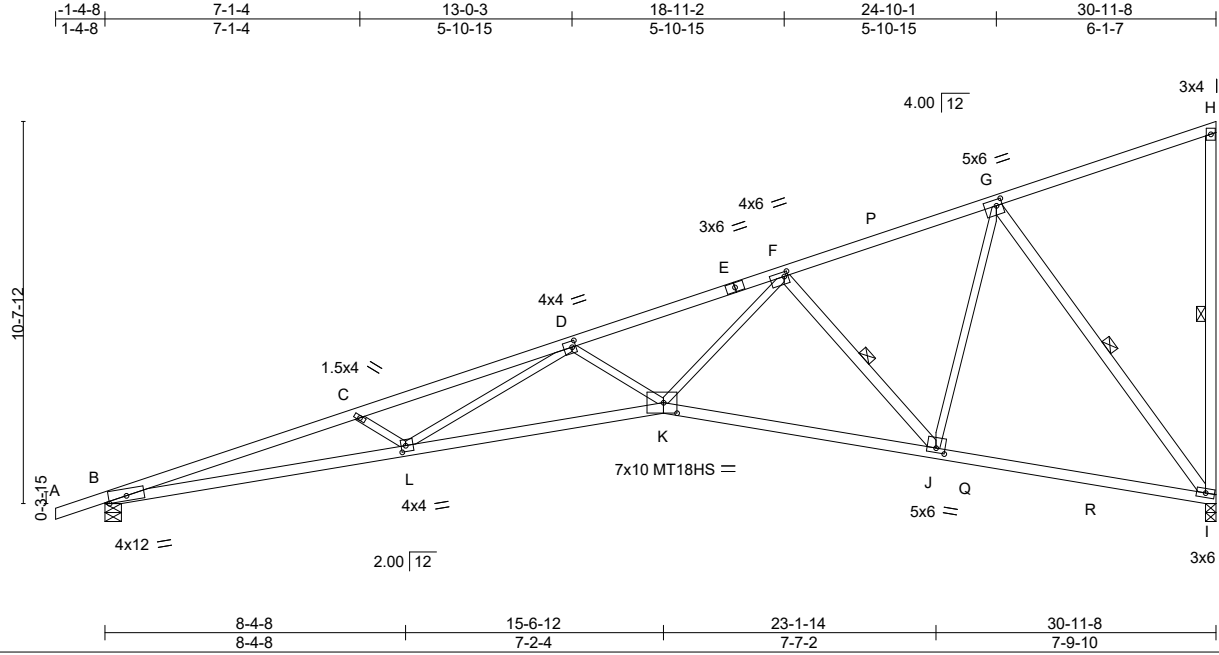
240 Stirling Crescent
Bradford, ON. L3Z 4L5

Job	Truss	Truss Type	Qty	Ply	Buildings A-H	U1530898
N0653A	Y2A	Monopitch	66	1		

Alliance Truss (CA), Abbotsford, BC - V2S 7P6,

8.820 s Aug 30 2024 MiTek Industries, Inc. Thu Sep 12 02:48:40 2024 Page 1

ID:hFyjDMxrTsEK_kgkR0vWWVzFlgc-8FCp2STZ_N6f7yR6b1aCNGQHBYdmbgY5y4cWwyyeVqb



Scale: 3/16"=1'

Plate Offsets (X,Y)-- [D:0-1-4,0-2-0], [F:0-1-4,0-1-8], [G:0-2-0,0-2-0], [J:0-3-0,0-1-8], [K:0-4-8,0-3-8], [L:0-1-8,0-2-0]

LOADING (psf)	SPACING-	CSI.	DEFL.	in (loc)	l/defl	L/d	PLATES	GRIP
TCLL 25.0 (Roof Snow=25.0)	2-0-0 Plate Grip DOL 1.15	TC 0.83	Vert(LL)	-0.64	K-L	>578	MT20	197/144
TCDL 12.0	Lumber DOL 1.15	BC 0.87	Vert(CT)	-1.14	K-L	>323	MT18HS	197/144
BCLL 0.0 *	Rep Stress Incr YES	WB 0.97	Horz(CT)	0.47	I	n/a		
BCDL 10.0	Code IBC2018/TPI2014	Matrix-MS	Wind(LL)	0.33	K-L	>999		
							Weight: 123 lb	FT = 20%

LUMBER-

TOP CHORD 2x4 SPF No.2 *Except*
A-E: 2x4 SPF 2100F 1.8E
BOT CHORD 2x4 SPF 2100F 1.8E
WEBS 2x3 SPF No.2 *Except*
H-I,F-J,G-I: 2x4 SPF No.2

BRACING-

TOP CHORD Structural wood sheathing directly applied or 2-2-0 oc purlins, except end verticals.
BOT CHORD Rigid ceiling directly applied or 8-3-2 oc bracing.
WEBS 1 Row at midpt H-I, F-J, G-I

REACTIONS.

(size) I=0-3-8, B=0-5-8
Max Horz B=347(LC 9)
Max Uplift I=-209(LC 10), B=-202(LC 6)
Max Grav I=1774(LC 3), B=1624(LC 3)

FORCES. (lb) - Max. Comp./Max. Ten. - All forces 250 (lb) or less except when shown.

TOP CHORD B-C=-6947/816, C-D=-6607/733, D-F=-4823/535, F-G=-1666/190, H-I=-287/49
BOT CHORD B-L=-901/6640, K-L=-685/5302, J-K=-314/2762, I-J=-132/1215
WEBS C-L=-456/167, D-L=-93/1238, D-K=-901/211, F-K=-294/2743, F-J=-1862/308, G-J=-125/1553, G-I=-1987/261

NOTES-

- 1) Wind: ASCE 7-16; Vult=115mph (3-second gust) Vasd=91mph; TCDL=4.2psf; BCDL=5.0psf; h=30ft; Ke=1.00; Cat. II; Exp B; Enclosed; MWFRS (envelope) gable end zone; cantilever left and right exposed; end vertical left and right exposed; Lumber DOL=1.33 plate grip DOL=1.33
- 2) TCLL: ASCE 7-16; Pf=25.0 psf (Lum DOL = 1.15 Plate DOL = 1.15); Is=1.0; Rough Cat B; Partially Exp.; Ce=1.0; Cs=1.00; Ct=1.10
- 3) Unbalanced snow loads have been considered for this design.
- 4) This truss has been designed for greater of min roof live load of 20.0 psf or 2.00 times flat roof load of 25.0 psf on overhangs non-concurrent with other live loads.
- 5) All plates are MT20 plates unless otherwise indicated.
- 6) This truss has been designed for a 10.0 psf bottom chord live load nonconcurrent with any other live loads.
- 7) * This truss has been designed for a live load of 20.0psf on the bottom chord in all areas where a rectangle 3-6-0 tall by 2-0-0 wide will fit between the bottom chord and any other members, with BCDL = 10.0psf.
- 8) Bearing at joint(s) I, B considers parallel to grain value using ANSI/TPI 1 angle to grain formula. Building designer should verify capacity of bearing surface.
- 9) Provide mechanical connection (by others) of truss to bearing plate capable of withstanding 100 lb uplift at joint(s) except (jt=lb) I=209, B=202.
- 10) This truss is designed in accordance with the 2018 International Building Code section 2306.1 and referenced standard ANSI/TPI 1.



September 12, 2024

WARNING - Verify design parameters and READ NOTES ON THIS AND INCLUDED MITEK REFERENCE PAGE MII-7473 rev. 6/30/2020 BEFORE USE.

Design valid for use only with MiTek® connectors. This design is based only upon parameters shown, and is for an individual building component, not a truss system. Before use, the building designer must verify the applicability of design parameters and properly incorporate this design into the overall building design. Bracing indicated is to prevent buckling of individual truss web and/or chord members only. Additional temporary and permanent bracing is always required for stability and to prevent collapse with possible personal injury and property damage. For general guidance regarding the fabrication, storage, delivery, erection and bracing of trusses and truss systems, see

Safety Information available from Truss Plate Institute, 2670 Crain Highway, Suite 203 Waldorf, MD 20601

ANSI/TPI1 Quality Criteria, DSB-89 and BCSI Building Component



240 Stirling Crescent
Bradford, ON. L3Z 4L5

Job	Truss	Truss Type	Qty	Ply	Buildings A-H	U1530899
N0653A	Y3A	Monopitch	6	1		

Alliance Truss (CA), Abbotsford, BC - V2S 7P6, 8.820 s Aug 30 2024 MiTek Industries, Inc. Thu Sep 12 02:48:41 2024 Page 1
 ID:hFyjDMxrTsEK_kgkR0vWVzF1gc-dRIBFoUCIhEWI60J8k5RvTzTAyza20IKcp92MMyeVqa

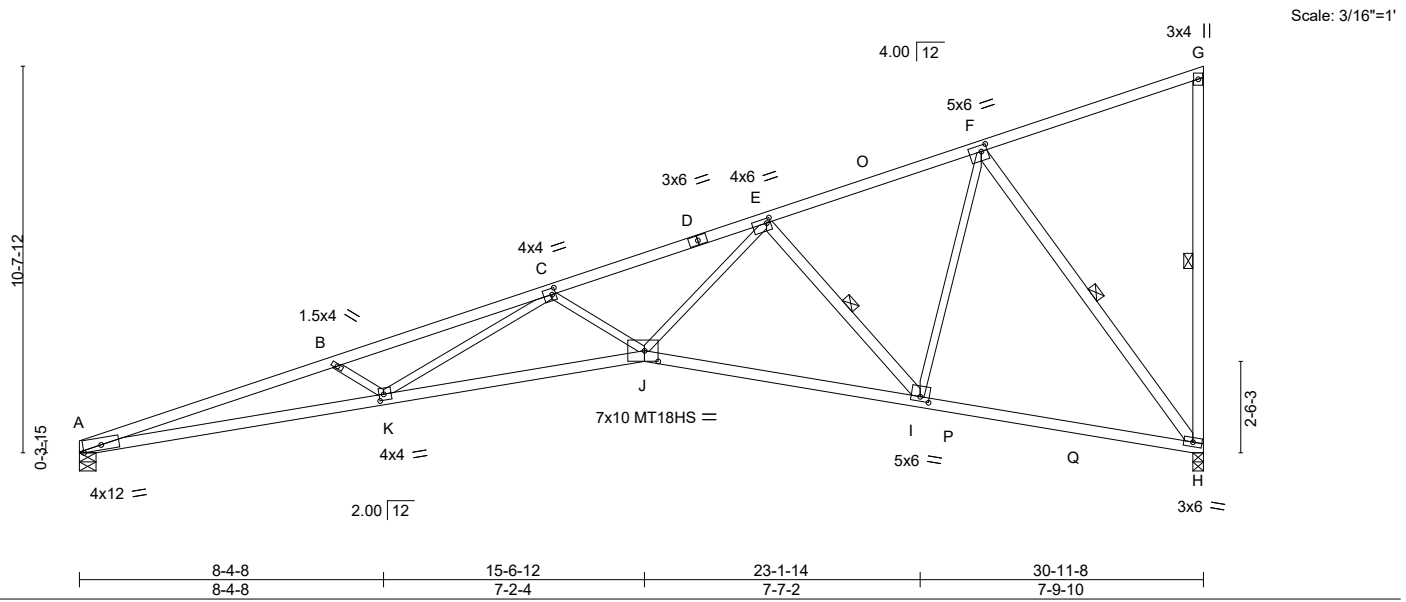


Plate Offsets (X,Y)-- [C:0-1-4,0-2-0], [E:0-1-4,0-1-8], [F:0-2-0,0-2-0], [I:0-3-0,0-1-8], [J:0-4-8,0-3-8], [K:0-1-8,0-2-0]

LOADING (psf)	SPACING-	CSI.	DEFL.	in (loc)	l/defl	L/d	PLATES	GRIP
TCLL 25.0 (Roof Snow=25.0)	2-0-0 Plate Grip DOL 1.15	TC 0.82	Vert(LL)	-0.64	J-K	>579	MT20	197/144
TCDL 12.0	Lumber DOL 1.15	BC 0.88	Vert(CT)	-1.14	J-K	>323	MT18HS	197/144
BCLL 0.0 *	Rep Stress Incr YES	WB 0.96	Horz(CT)	0.47	H	n/a		
BCDL 10.0	Code IBC2018/TPI2014	Matrix-MS	Wind(LL)	0.33	J-K	>999		
							Weight: 121 lb	FT = 20%

LUMBER-	BRACING-
TOP CHORD 2x4 SPF No.2 *Except* A-D: 2x4 SPF 2100F 1.8E	TOP CHORD Structural wood sheathing directly applied or 2-2-0 oc purlins, except end verticals.
BOT CHORD 2x4 SPF 2100F 1.8E	BOT CHORD Rigid ceiling directly applied or 8-2-7 oc bracing.
WEBS 2x3 SPF No.2 *Except* G-H,E-I,F-H: 2x4 SPF No.2	WEBS 1 Row at midpt G-H, E-I, F-H

REACTIONS. (size) H=0-3-8, A=0-5-8
 Max Horz A=340(LC 9)
 Max Uplift H=-209(LC 10), A=-157(LC 6)
 Max Grav H=1764(LC 3), A=1535(LC 3)

FORCES. (lb) - Max. Comp./Max. Ten. - All forces 250 (lb) or less except when shown.
 TOP CHORD A-B=-6974/830, B-C=-6628/745, C-E=-4815/539, E-F=-1658/191, G-H=-285/49
 BOT CHORD A-K=-914/6667, J-K=-689/5299, I-J=-316/2753, H-I=-132/1208
 WEBS B-K=-466/170, C-K=-102/1264, C-J=-908/213, E-J=-297/2744, E-I=-1858/309,
 F-I=-126/1550, F-H=-1973/262

- NOTES-**
- 1) Wind: ASCE 7-16; Vult=115mph (3-second gust) Vasd=91mph; TCDL=4.2psf; BCDL=5.0psf; h=30ft; Ke=1.00; Cat. II; Exp B; Enclosed; MWFRS (envelope) gable end zone; cantilever left and right exposed; end vertical left and right exposed; Lumber DOL=1.33 plate grip DOL=1.33
 - 2) TCLL: ASCE 7-16; Pf=25.0 psf (Lum DOL = 1.15 Plate DOL = 1.15); Is=1.0; Rough Cat B; Partially Exp.; Ce=1.0; Cs=1.00; Ct=1.10
 - 3) Unbalanced snow loads have been considered for this design.
 - 4) All plates are MT20 plates unless otherwise indicated.
 - 5) This truss has been designed for a 10.0 psf bottom chord live load nonconcurrent with any other live loads.
 - 6) * This truss has been designed for a live load of 20.0psf on the bottom chord in all areas where a rectangle 3-6-0 tall by 2-0-0 wide will fit between the bottom chord and any other members, with BCDL = 10.0psf.
 - 7) Bearing at joint(s) H, A considers parallel to grain value using ANSI/TPI 1 angle to grain formula. Building designer should verify capacity of bearing surface.
 - 8) Provide mechanical connection (by others) of truss to bearing plate capable of withstanding 100 lb uplift at joint(s) except (jt=lb) H=209, A=157.
 - 9) This truss is designed in accordance with the 2018 International Building Code section 2306.1 and referenced standard ANSI/TPI 1.



September 12, 2024

Job	Truss	Truss Type	Qty	Ply	Buildings A-H	U1530817
N0653A	Y4	Monopitch	30	1		

Alliance Truss (CA), Abbotsford, BC - V2S 7P6, 8.630 s Jul 12 2024 MiTek Industries, Inc. Thu Sep 12 02:47:58 2024 Page 1

ID:hFyjDMxrTsEK_kgkR0vWWVzFfgc-RfC?PsB70Hq3NSgPqnL8w3ulTXbGKWrCDoi7J4zJC?f

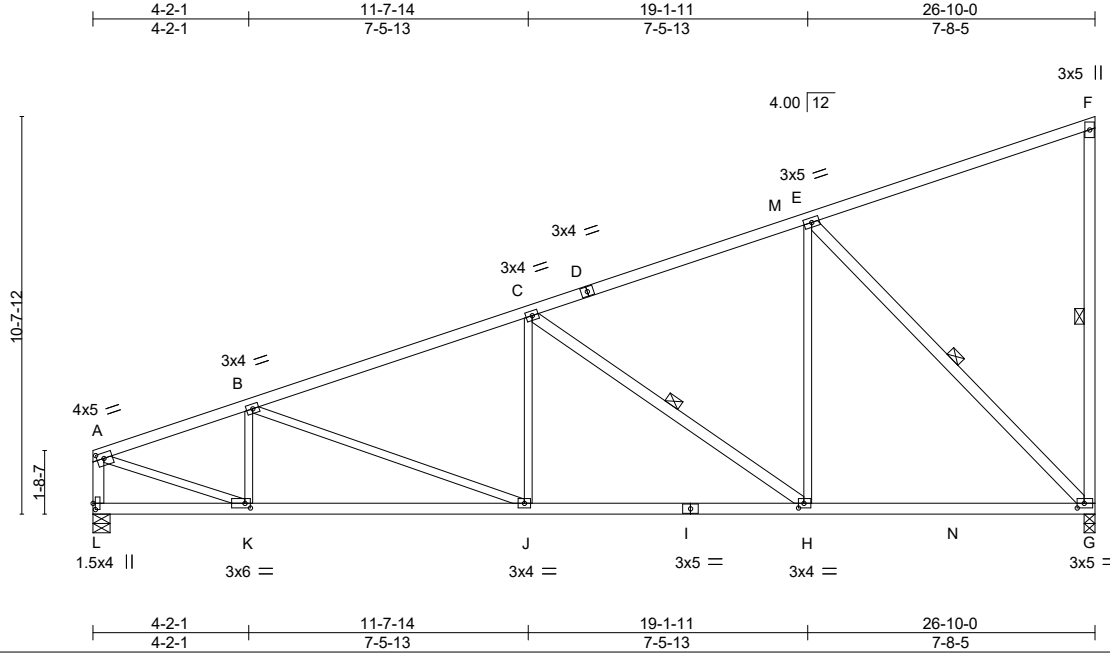


Plate Offsets (X,Y)-- [A:0-2-4,0-1-12], [G:0-2-4,0-1-8], [H:0-1-12,0-1-8], [K:0-1-12,0-1-8], [L:0-2-0,0-0-12]

LOADING (psf)	SPACING-	CSI.	DEFL.	in (loc)	l/defl	L/d	PLATES	GRIP
TCLL 25.0 (Roof Snow=25.0)	2-0-0 Plate Grip DOL 1.15	TC 0.70	Vert(LL)	-0.16 G-H	>999	360	MT20	197/144
TCDL 12.0	Lumber DOL 1.15	BC 0.79	Vert(CT)	-0.26 G-H	>999	240		
BCLL 0.0 *	Rep Stress Incr YES	WB 0.83	Horz(CT)	0.06 G	n/a	n/a		
BCDL 10.0	Code IBC2018/TPI2014	Matrix-MS	Wind(LL)	0.05 G-H	>999	240	Weight: 120 lb	FT = 20%

LUMBER-

TOP CHORD 2x4 SPF 2100F 1.8E *Except*
A-D: 2x4 SPF No.2
BOT CHORD 2x4 SPF No.2
WEBS 2x3 SPF No.2 *Except*
F-G,C-H,E-G,A-L: 2x4 SPF No.2

BRACING-

TOP CHORD Structural wood sheathing directly applied or 3-0-7 oc purlins, except end verticals.
BOT CHORD Rigid ceiling directly applied or 10-0-0 oc bracing.
WEBS 1 Row at midpt F-G, C-H, E-G

REACTIONS.

(size) G=0-3-8, L=0-5-8
Max Horz L=333(LC 7)
Max Uplift G=-186(LC 10), L=-130(LC 6)
Max Grav G=1520(LC 3), L=1328(LC 3)

FORCES. (lb) - Max. Comp./Max. Ten. - All forces 250 (lb) or less except when shown.

TOP CHORD A-B=-1868/185, B-C=-1925/200, C-E=-1212/145, F-G=-358/63, A-L=-1278/140
BOT CHORD K-L=-318/42, J-K=-270/1749, H-J=-214/1759, G-H=-122/1089
WEBS B-K=-487/125, C-J=0/306, C-H=-851/158, E-H=-20/828, E-G=-1540/227, A-K=-173/1821

NOTES-

- 1) Wind: ASCE 7-16; Vult=115mph (3-second gust) Vasd=91mph; TCDL=4.2psf; BCDL=5.0psf; h=30ft; Ke=1.00; Cat. II; Exp B; Enclosed; MWFRS (envelope) gable end zone; cantilever left and right exposed ; end vertical left and right exposed; Lumber DOL=1.33 plate grip DOL=1.33
- 2) TCLL: ASCE 7-16; Pf=25.0 psf (Lum DOL=1.15 Plate DOL=1.15); Is=1.0; Rough Cat B; Partially Exp.; Ce=1.0; Cs=1.00; Ct=1.10
- 3) Unbalanced snow loads have been considered for this design.
- 4) This truss has been designed for a 10.0 psf bottom chord live load nonconcurrent with any other live loads.
- 5) * This truss has been designed for a live load of 20.0psf on the bottom chord in all areas where a rectangle 3-6-0 tall by 2-0-0 wide will fit between the bottom chord and any other members, with BCDL = 10.0psf.
- 6) Provide mechanical connection (by others) of truss to bearing plate capable of withstanding 100 lb uplift at joint(s) except (jt=lb) G=186, L=130.
- 7) This truss is designed in accordance with the 2018 International Building Code section 2306.1 and referenced standard ANSI/TPI 1.



September 12, 2024

WARNING - Verify design parameters and READ NOTES ON THIS AND INCLUDED MITEK REFERENCE PAGE MII-7473 rev. 6/30/2020 BEFORE USE.

Design valid for use only with MiTek® connectors. This design is based only upon parameters shown, and is for an individual building component, not a truss system. Before use, the building designer must verify the applicability of design parameters and properly incorporate this design into the overall building design. Bracing indicated is to prevent buckling of individual truss web and/or chord members only. Additional temporary and permanent bracing is always required for stability and to prevent collapse with possible personal injury and property damage. For general guidance regarding the fabrication, storage, delivery, erection and bracing of trusses and truss systems, see

Safety Information available from Truss Plate Institute, 2670 Crain Highway, Suite 203 Waldorf, MD 20601



240 Stirling Crescent
Bradford, ON. L3Z 4L5

Job	Truss	Truss Type	Qty	Ply	Buildings A-H	U1530900
N0653A	Y5	GABLE	6	1		

Alliance Truss (CA), Abbotsford, BC - V2S 7P6, 8.820 s Aug 30 2024 MiTek Industries, Inc. Thu Sep 12 02:48:42 2024 Page 1
 ID:hFyjDMxrTsEK_kgkR0vWWVzFlgc-5eJZT7VqW_MNMGbViSdgShVcuMRiJVcrZGZjboyeVqZ

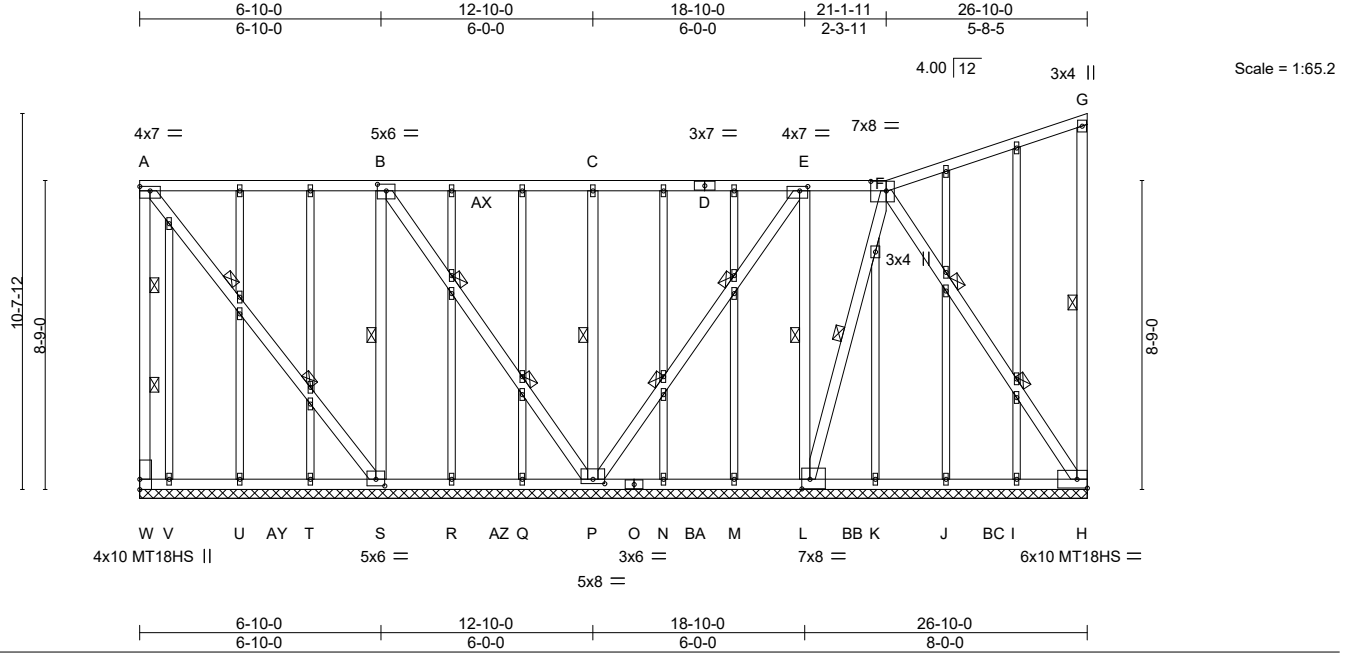


Plate Offsets (X,Y)-- [A:Edge,0-1-8], [B:0-3-0,0-2-4], [E:0-2-12,0-1-8], [F:0-5-4,0-3-4], [L:0-2-12,0-3-4], [P:0-4-0,0-1-8], [S:0-3-0,0-2-4]

LOADING (psf)	SPACING-	CSI.	DEFL.	PLATES	GRIP
TCLL 25.0 (Roof Snow=25.0)	2-0-0 Plate Grip DOL 1.15 Lumber DOL 1.15 Rep Stress Incr YES Code IBC2018/TPI2014	TC 0.88 BC 0.33 WB 1.00 Matrix-S	in (loc) l/defl L/d Vert(LL) n/a - n/a 999 Vert(CT) n/a - n/a 999 Horz(CT) -0.02 H n/a n/a	MT20 MT18HS	197/144 197/144
TCDL 12.0				Weight: 231 lb	FT = 20%
BCLL 0.0 *					
BCDL 10.0					

LUMBER-	BRACING-
TOP CHORD 2x4 SPF No.2	TOP CHORD Structural wood sheathing directly applied or 2-7-8 oc purlins, except end verticals.
BOT CHORD 2x4 SPF No.2	BOT CHORD Rigid ceiling directly applied or 4-6-12 oc bracing.
WEBS 2x4 SPF No.2	WEBS 1 Row at midpt G-H, B-S, C-P, E-L, F-L
OTHERS 2x3 SPF No.2	2 Rows at 1/3 pts A-W, A-S, B-P, E-P, F-H

REACTIONS. All bearings 26-10-0.
 (lb) - Max Horz W=173(LC 34)
 Max Uplift All uplift 100 lb or less at joint(s) except W=-2139(LC 36), H=-2305(LC 41), S=-150(LC 41), P=-226(LC 41), L=-891(LC 40), V=-119(LC 35)
 Max Grav All reactions 250 lb or less at joint(s) I, J, K, M, N, Q, R, T, U, V except W=2097(LC 35), H=2315(LC 52), S=650(LC 64), P=1112(LC 64), L=1083(LC 29)

FORCES. (lb) - Max. Comp./Max. Ten. - All forces 250 (lb) or less except when shown.
 TOP CHORD A-W=-2014/2015, A-B=-1598/1568, B-C=-1350/1315, C-E=-1662/1627, E-F=-876/827, F-G=-1443/1387, G-H=-292/69
 BOT CHORD V-W=-265/207, U-V=-745/687, T-U=-1225/1167, S-T=-1705/1647, R-S=-605/557, Q-R=-1085/1037, P-Q=-1565/1517, N-P=-1184/1160, M-N=-704/680, L-M=-307/283, K-L=-460/452, J-K=-552/543, I-J=-1032/1023, H-I=-1474/1468
 WEBS A-S=-2532/2548, B-S=-2022/2020, B-P=-2379/2377, C-P=-657/135, E-P=-2325/2308, E-L=-1883/1887, F-L=-2787/2764, F-H=-2671/2688

- NOTES-**
- 1) Wind: ASCE 7-16; Vult=115mph (3-second gust) Vasd=91mph; TCDL=4.2psf; BCDL=5.0psf; h=30ft; Ke=1.00; Cat. II; Exp B; Enclosed; MWFRS (envelope) gable end zone; cantilever left exposed; end vertical left exposed; Lumber DOL=1.33 plate grip DOL=1.33
 - 2) Truss designed for wind loads in the plane of the truss only. For studs exposed to wind (normal to the face), see Standard Industry Gable End Details as applicable, or consult qualified building designer as per ANSI/TPI 1.
 - 3) TCLL: ASCE 7-16; Pf=25.0 psf (Lum DOL = 1.15 Plate DOL = 1.15); Is=1.0; Rough Cat B; Partially Exp.; Ce=1.0; Cs=1.00; Ct=1.10
 - 4) Unbalanced snow loads have been considered for this design.
 - 5) Provide adequate drainage to prevent water ponding.
 - 6) All plates are MT20 plates unless otherwise indicated.
 - 7) All plates are 1.5x4 MT20 unless otherwise indicated.
 - 8) Gable requires continuous bottom chord bearing.
 - 9) Gable studs spaced at 2-0-0 oc.
 - 10) This truss has been designed for a 10.0 psf bottom chord live load nonconcurrent with any other live loads.
 - 11) * This truss has been designed for a live load of 20.0psf on the bottom chord in all areas where a rectangle 3-6-0 tall by 2-0-0 wide will fit between the bottom chord and any other members, with BCDL = 10.0psf.
 - 12) Provide mechanical connection (by others) of truss to bearing plate capable of withstanding 2139 lb uplift at joint W, 2305 lb uplift at joint H, 150 lb uplift at joint S, 226 lb uplift at joint P, 891 lb uplift at joint L and 119 lb uplift at joint V.
 - 13) This truss is designed in accordance with the 2018 International Building Code section 2306.1 and referenced standard ANSI/TPI



September 12, 2024


Job	Truss	Truss Type	Qty	Ply	Buildings A-H	U1530900
N0653A	Y5	GABLE	6	1	Job Reference (optional)	

Alliance Truss (CA), Abbotsford, BC - V2S 7P6,

8.820 s Aug 30 2024 MiTek Industries, Inc. Thu Sep 12 02:48:42 2024 Page 2
 ID:hFyjDMxrTsEK_kgkR0vWWWzF1gc-5eJZT7VqW_MNMGbViSdgShVcuMRiJVcrZGZjboyeVqZ

NOTES-

14) This truss has been designed for a total drag load of 240 plf. Lumber DOL=(1.33) Plate grip DOL=(1.33) Connect truss to resist drag loads along bottom chord from 0-0-0 to 26-10-0 for 240.0 plf.

 **WARNING - Verify design parameters and READ NOTES ON THIS AND INCLUDED MITEK REFERENCE PAGE MII-7473 rev. 6/30/2020 BEFORE USE.**
 Design valid for use only with MiTek® connectors. This design is based only upon parameters shown, and is for an individual building component, not a truss system. Before use, the building designer must verify the applicability of design parameters and properly incorporate this design into the overall building design. Bracing indicated is to prevent buckling of individual truss web and/or chord members only. Additional temporary and permanent bracing is always required for stability and to prevent collapse with possible personal injury and property damage. For general guidance regarding the fabrication, storage, delivery, erection and bracing of trusses and truss systems, see **ANSI/TPI1 Quality Criteria, DSB-89 and BCSI Building Component Safety Information** available from Truss Plate Institute, 2670 Crain Highway, Suite 203 Waldorf, MD 20601



Job	Truss	Truss Type	Qty	Ply	Buildings A-H	U1530818
N0653A	Y6	GABLE	6	1		

Alliance Truss (CA), Abbotsford, BC - V2S 7P6, 8.630 s Jul 12 2024 MiTek Industries, Inc. Thu Sep 12 02:47:59 2024 Page 1
 ID:hFyjDMxrTsEK_kgkR0vWWVzFfgC-RfC?PsB70Hq3NSgPqnL8w3uTXbGKWRCDoi7J4zJC?f

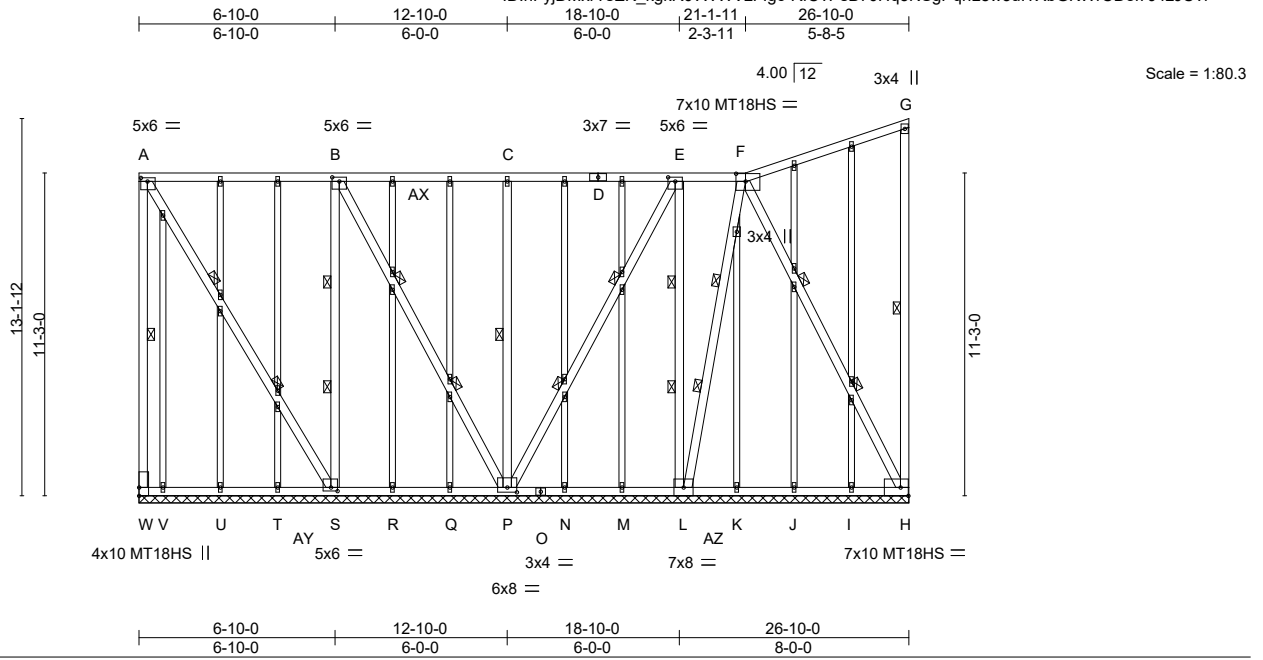


Plate Offsets (X,Y)-- [A:0-2-12,0-1-8], [B:0-3-0,0-1-12], [E:0-3-0,0-1-12], [F:0-4-0,0-3-4], [H:0-3-4,Edge], [P:0-4-0,0-2-0], [S:0-2-12,0-1-8]

LOADING (psf)	SPACING-	CSI.	DEFL.	PLATES	GRIP
TCLL 25.0 (Roof Snow=25.0)	2-0-0 Plate Grip DOL 1.15	TC 0.96	in (loc) l/defl L/d	MT20	197/144
TCDL 12.0	Lumber DOL 1.15	BC 0.32	Vert(LL) n/a - n/a 999	MT18HS	197/144
BCLL 0.0 *	Rep Stress Incr YES	WB 1.00	Vert(CT) n/a - n/a 999		
BCDL 10.0	Code IBC2018/TPI2014	Matrix-S	Horz(CT) -0.02 H n/a n/a		
				Weight: 278 lb	FT = 20%

LUMBER-

TOP CHORD 2x4 SPF No.2
 BOT CHORD 2x4 SPF No.2
 WEBS 2x4 SPF 2100F 1.8E *Except*
 G-H,B-S,C-P,E-L: 2x4 SPF No.2
 OTHERS 2x3 SPF No.2

BRACING-

TOP CHORD Structural wood sheathing directly applied or 2-7-8 oc purlins, except end verticals.
 BOT CHORD Rigid ceiling directly applied or 4-7-8 oc bracing.
 WEBS 1 Row at midpt A-W, G-H, C-P
 2 Rows at 1/3 pts A-S, B-S, B-P, E-P, E-L, F-L, F-H

REACTIONS.

All bearings 26-10-0.
 (lb) - Max Horz W=56(LC 32)
 Max Uplift All uplift 100 lb or less at joint(s) V except W=-2743(LC 32), H=-3094(LC 33), S=-471(LC 33), P=-231(LC 32), L=-1185(LC 32)
 Max Grav All reactions 250 lb or less at joint(s) I, J, K, M, N, Q, R, T, U, V except W=2772(LC 53), H=3090(LC 52), S=664(LC 28), P=1272(LC 64), L=1269(LC 29)

FORCES. (lb) - Max. Comp./Max. Ten. - All forces 250 (lb) or less except when shown.

TOP CHORD A-W=-2737/2708, A-B=-1642/1624, B-C=-1333/1313, C-E=-1652/1632, E-F=-875/850, F-G=-1442/1386, G-H=-291/71
 BOT CHORD U-V=-700/645, T-U=-1180/1125, S-T=-1660/1605, R-S=-495/454, Q-R=-975/934, P-Q=-1455/1414, N-P=-1133/1114, M-N=-653/634, L-M=-382/362, K-L=-361/349, J-K=-613/601, I-J=-1093/1081, H-I=-1538/1526
 WEBS A-S=-3132/3159, B-S=-2398/2372, B-P=-2680/2691, C-P=-657/141, E-P=-2718/2684, E-L=-2322/2339, F-L=-3521/3482, F-H=-3374/3401

NOTES-

- Wind: ASCE 7-16; Vult=115mph (3-second gust) Vasd=91mph; TCDL=4.2psf; BCDL=5.0psf; h=30ft; Ke=1.00; Cat. II; Exp B; Enclosed; MWFRS (envelope) gable end zone; Lumber DOL=1.33 plate grip DOL=1.33
- Truss designed for wind loads in the plane of the truss only. For studs exposed to wind (normal to the face), see Standard Industry Gable End Details as applicable, or consult qualified building designer as per ANSI/TPI 1.
- TCLL: ASCE 7-16; Pf=25.0 psf (Lum DOL=1.15 Plate DOL=1.15); Is=1.0; Rough Cat B; Partially Exp.; Ce=1.0; Cs=1.0; Ct=1.10
- Unbalanced snow loads have been considered for this design.
- Provide adequate drainage to prevent water ponding.
- All plates are MT20 plates unless otherwise indicated.
- All plates are 1.5x4 MT20 unless otherwise indicated.
- Gable requires continuous bottom chord bearing.
- Gable studs spaced at 2-0-0 oc.
- This truss has been designed for a 10.0 psf bottom chord live load nonconcurrent with any other live loads.
- * This truss has been designed for a live load of 20.0psf on the bottom chord in all areas where a rectangle 3-6-0 tall by 2-0-0 wide will fit between the bottom chord and any other members, with BCDL = 10.0psf.
- Provide mechanical connection (by others) of truss to bearing plate capable of withstanding 100 lb uplift at joint(s) V except (jt=lb) W=2743, H=3094, S=471, P=231, L=1185.
- This truss is designed in accordance with the 2018 International Building Code section 2306.1 and referenced standard ANSI/TPI



September 12, 2024

Continued on page 2

WARNING - Verify design parameters and READ NOTES ON THIS AND INCLUDED MITEK REFERENCE PAGE MII-7473 rev. 6/30/2020 BEFORE USE.

Design valid for use only with MiTek® connectors. This design is based only upon parameters shown, and is for an individual building component, not a truss system. Before use, the building designer must verify the applicability of design parameters and properly incorporate this design into the overall building design. Bracing indicated is to prevent buckling of individual truss web and/or chord members only. Additional temporary and permanent bracing is always required for stability and to prevent collapse with possible personal injury and property damage. For general guidance regarding the fabrication, storage, delivery, erection and bracing of trusses and truss systems, see

ANSI/TPI1 Quality Criteria, DSB-89 and BCSI Building Component Safety Information available from Truss Plate Institute, 2670 Crain Highway, Suite 203 Waldorf, MD 20601



240 Stirling Crescent
 Bradford, ON. L3Z 4L5

Job	Truss	Truss Type	Qty	Ply	Buildings A-H	U1530818
N0653A	Y6	GABLE	6	1	Job Reference (optional)	

Alliance Truss (CA), Abbotsford, BC - V2S 7P6,

8.630 s Jul 12 2024 MiTek Industries, Inc. Thu Sep 12 02:48:00 2024 Page 2
 ID:hFyjDMxrTsEK_kgkR0vWWVzFigc-RfC?PsB70Hq3NSgPqnL8w3ulTXbGKWrCDoi7J4zJC?f

NOTES-

14) This truss has been designed for a total drag load of 240 plf. Lumber DOL=(1.33) Plate grip DOL=(1.33) Connect truss to resist drag loads along bottom chord from 0-0-0 to 26-10-0 for 240.0 plf.

WARNING - Verify design parameters and READ NOTES ON THIS AND INCLUDED MITEK REFERANCE PAGE MII-7473 rev. 6/30/2020 BEFORE USE.

Design valid for use only with MiTek® connectors. This design is based only upon parameters shown, and is for an individual building component, not a truss system. Before use, the building designer must verify the applicability of design parameters and properly incorporate this design into the overall building design. Bracing indicated is to prevent buckling of individual truss web and/or chord members only. Additional temporary and permanent bracing is always required for stability and to prevent collapse with possible personal injury and property damage. For general guidance regarding the fabrication, storage, delivery, erection and bracing of trusses and truss systems, see

ANSI/TPI1 Quality Criteria, DSB-89 and BCSI Building Component

Safety Information available from Truss Plate Institute, 2670 Crain Highway, Suite 203 Waldorf, MD 20601

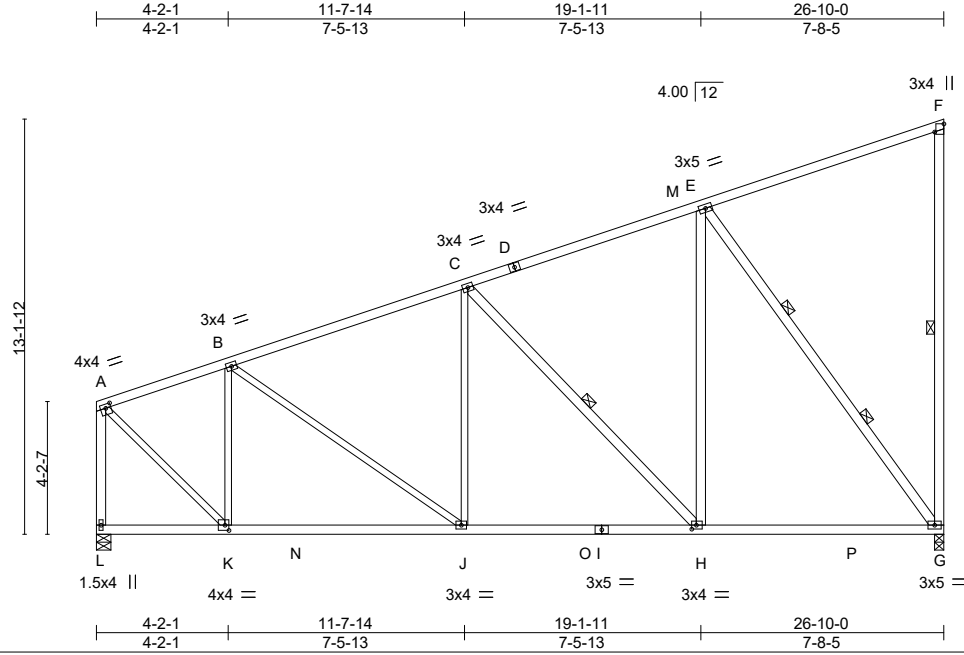


240 Stirling Crescent
 Bradford, ON. L3Z 4L5

Job	Truss	Truss Type	Qty	Ply	Buildings A-H	U1530819
N0653A	Y7	MONOPITCH	36	1		

Alliance Truss (CA), Abbotsford, BC - V2S 7P6, 8.630 s Jul 12 2024 MiTek Industries, Inc. Thu Sep 12 02:48:00 2024 Page 1

ID:hFyjDMxrTsEK_kgkR0vWWVzFfgc-RfC?PsB70Hq3NSgPqnL8w3ulTXbGKWrCDoi7J4zJC?f



Scale = 1:73.0

Plate Offsets (X,Y)-- [A:0-2-0,0-1-8], [F:Edge,0-3-8], [H:0-1-12,0-1-8], [K:0-1-8,0-2-0]

LOADING (psf)	SPACING-	CSI.	DEFL.	in (loc)	l/defl	L/d	PLATES	GRIP
TCLL 25.0 (Roof Snow=25.0)	2-0-0 Plate Grip DOL 1.15	TC 0.71	Vert(LL)	-0.16	G-H	>999	MT20	197/144
TCDL 12.0	Lumber DOL 1.15	BC 0.72	Vert(CT)	-0.27	G-H	>999		
BCLL 0.0 *	Rep Stress Incr YES	WB 0.79	Horz(CT)	0.04	G	n/a		
BCDL 10.0	Code IBC2018/TPI2014	Matrix-MS	Wind(LL)	0.03	J	>999	Weight: 141 lb	FT = 20%

LUMBER-	BRACING-
TOP CHORD 2x4 SPF 2100F 1.8E *Except* A-D: 2x4 SPF No.2	TOP CHORD Structural wood sheathing directly applied or 4-0-8 oc purlins, except end verticals.
BOT CHORD 2x4 SPF No.2	BOT CHORD Rigid ceiling directly applied or 10-0-0 oc bracing.
WEBS 2x4 SPF No.2 *Except* B-K,B-J,C-J,A-K: 2x3 SPF No.2	WEBS 1 Row at midpt F-G, C-H 2 Rows at 1/3 pts E-G

REACTIONS. (size) G=0-3-8, L=0-5-8
 Max Horz L=246(LC 7)
 Max Uplift G=-238(LC 10), L=-76(LC 6)
 Max Grav G=1567(LC 3), L=1384(LC 3)


FORCES. (lb) - Max. Comp./Max. Ten. - All forces 250 (lb) or less except when shown.
 TOP CHORD A-B=-1040/50, B-C=-1393/71, C-E=-967/37, F-G=-357/78, A-L=-1343/85
 BOT CHORD J-K=-297/973, H-J=-248/1254, G-H=-141/856
 WEBS B-K=-758/118, B-J=0/344, C-H=-610/155, E-H=-28/801, E-G=-1426/237, A-K=-71/1355

- NOTES-**
- 1) Wind: ASCE 7-16; Vult=115mph (3-second gust) Vasd=91mph; TCDL=4.2psf; BCDL=5.0psf; h=30ft; Ke=1.00; Cat. II; Exp B; Enclosed; MWFRS (envelope) gable end zone; cantilever left exposed; end vertical left exposed; Lumber DOL=1.33 plate grip DOL=1.33
 - 2) TCLL: ASCE 7-16; Pf=25.0 psf (Lum DOL=1.15 Plate DOL=1.15); Is=1.0; Rough Cat B; Partially Exp.; Ce=1.0; Cs=1.00; Ct=1.10
 - 3) Unbalanced snow loads have been considered for this design.
 - 4) This truss has been designed for a 10.0 psf bottom chord live load nonconcurrent with any other live loads.
 - 5) * This truss has been designed for a live load of 20.0psf on the bottom chord in all areas where a rectangle 3-6-0 tall by 2-0-0 wide will fit between the bottom chord and any other members, with BCDL = 10.0psf.
 - 6) Provide mechanical connection (by others) of truss to bearing plate capable of withstanding 100 lb uplift at joint(s) L except (jt=lb) G=238.
 - 7) This truss is designed in accordance with the 2018 International Building Code section 2306.1 and referenced standard ANSI/TPI 1.



September 12, 2024

WARNING - Verify design parameters and READ NOTES ON THIS AND INCLUDED MITEK REFERENCE PAGE MII-7473 rev. 6/30/2020 BEFORE USE.
 Design valid for use only with MiTek® connectors. This design is based only upon parameters shown, and is for an individual building component, not a truss system. Before use, the building designer must verify the applicability of design parameters and properly incorporate this design into the overall building design. Bracing indicated is to prevent buckling of individual truss web and/or chord members only. Additional temporary and permanent bracing is always required for stability and to prevent collapse with possible personal injury and property damage. For general guidance regarding the fabrication, storage, delivery, erection and bracing of trusses and truss systems, see **ANSI/TPI1 Quality Criteria, DSB-89 and BCSI Building Component Safety Information** available from Truss Plate Institute, 2670 Crain Highway, Suite 203 Waldorf, MD 20601



240 Stirling Crescent
Bradford, ON. L3Z 4L5

Job	Truss	Truss Type	Qty	Ply	Buildings A-H	U1530901
N0653A	Y8A	GABLE	6	1		

Alliance Truss (CA), Abbotsford, BC - V2S 7P6, 8.820 s Aug 30 2024 MiTek Industries, Inc. Thu Sep 12 02:48:44 2024 Page 1
 ID:hFyjDMxrTsEK_kgkR0vWWVzFlgc-10RKtpW42cc5caluqt8X6b_5A0BnRs80a2pfhyeVqX

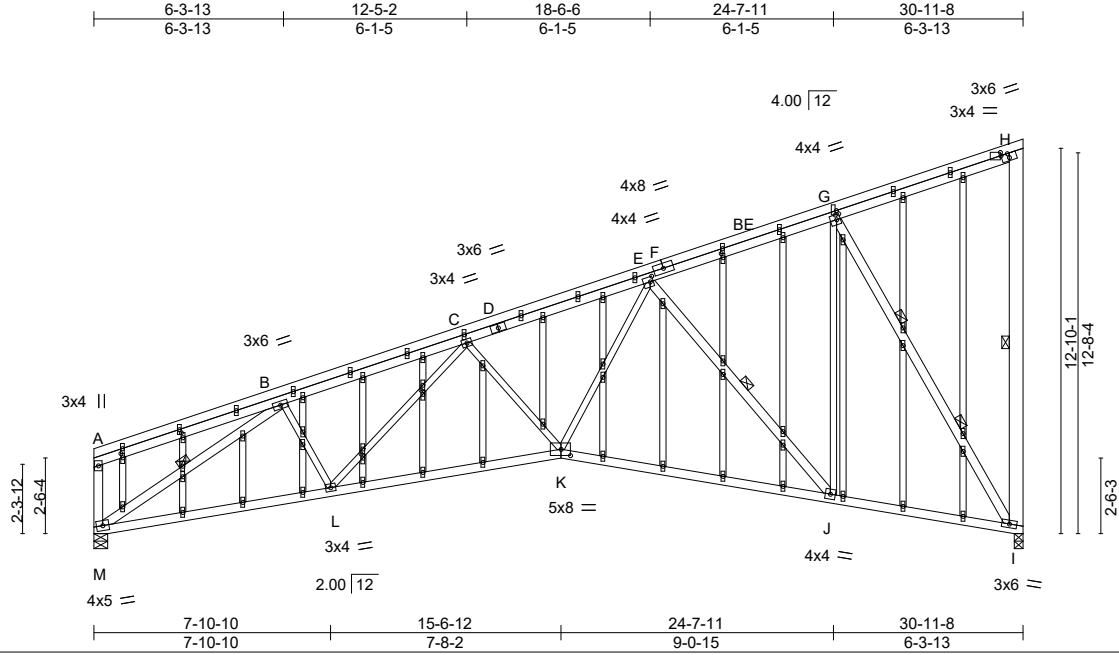


Plate Offsets (X,Y)--	[E:0-1-4,0-2-0], [G:0-1-8,0-2-0], [G:0-1-12,0-0-8], [H:0-2-12,0-0-8], [H:0-3-0,Edge], [K:0-3-12,0-2-8], [AC:0-1-10,0-0-12], [AO:0-1-11,0-0-12], [AR:0-1-11,0-0-12], [BA:0-2-0,0-0-10], [BD:0-1-11,0-0-12]
-----------------------	---

LOADING (psf)	SPACING-	CSI.	DEFL.	in (loc)	l/defl	L/d	PLATES	GRIP
TCLL 25.0 (Roof Snow=25.0)	2-0-0	TC 0.71	Vert(LL) -0.22	J-K	>999	360	MT20	197/144
TCDL 12.0	Plate Grip DOL 1.15	BC 0.77	Vert(CT) -0.51	J-K	>723	240		
BCLL 0.0 *	Lumber DOL 1.15	WB 0.89	Horz(CT) 0.20	I	n/a	n/a		
BCDL 10.0	Rep Stress Incr YES	Matrix-MS	Wind(LL) 0.10	K-L	>999	240	Weight: 257 lb	FT = 20%
	Code IBC2018/TPI2014							

LUMBER-	BRACING-
TOP CHORD 2x4 SPF No.2	TOP CHORD Structural wood sheathing directly applied or 3-1-13 oc purlins, except end verticals.
BOT CHORD 2x4 SPF No.2	BOT CHORD Rigid ceiling directly applied or 9-2-11 oc bracing.
WEBS 2x3 SPF No.2 *Except*	WEBS 1 Row at midpt H-I, E-J, B-M
H-I: 2x6 SPF No.2, E-J,G-I,A-M,B-M: 2x4 SPF No.2	2 Rows at 1/3 pts G-I
OTHERS 2x3 SPF No.2	

REACTIONS. (size) I=0-3-8, M=0-5-8
 Max Horz M=401(LC 7)
 Max Uplift I=-217(LC 10), M=-148(LC 6)
 Max Grav I=1748(LC 16), M=1492(LC 16)


FORCES. (lb) - Max. Comp./Max. Ten. - All forces 250 (lb) or less except when shown.
 TOP CHORD B-C=-2627/313, C-E=-2603/310, E-G=-1041/143, H-I=-301/54
 BOT CHORD L-M=-399/2270, K-L=-358/2655, J-K=-252/1877, I-J=-137/946
 WEBS B-L=0/380, C-L=-282/38, C-K=-347/139, E-K=-133/1270, E-J=-1429/259, G-J=-91/1116, G-I=-1800/238, B-M=-2668/301

- NOTES-**
- 1) Wind: ASCE 7-16; Vult=115mph (3-second gust) Vasd=91mph; TCDL=4.2psf; BCCL=5.0psf; h=30ft; Ke=1.00; Cat. II; Exp B; Enclosed; MWFRS (envelope) gable end zone; cantilever left and right exposed; end vertical left and right exposed; Lumber DOL=1.33 plate grip DOL=1.33
 - 2) Truss designed for wind loads in the plane of the truss only. For studs exposed to wind (normal to the face), see Standard Industry Gable End Details as applicable, or consult qualified building designer as per ANSI/TPI 1.
 - 3) TCLL: ASCE 7-16; Pf=25.0 psf (Lum DOL = 1.15 Plate DOL = 1.15); Is=1.0; Rough Cat B; Partially Exp.; Ce=1.0; Cs=1.00; Ct=1.10
 - 4) Unbalanced snow loads have been considered for this design.
 - 5) All plates are 1.5x4 MT20 unless otherwise indicated.
 - 6) Gable studs spaced at 2-0-0 oc.
 - 7) This truss has been designed for a 10.0 psf bottom chord live load nonconcurrent with any other live loads.
 - 8) * This truss has been designed for a live load of 20.0psf on the bottom chord in all areas where a rectangle 3-6-0 tall by 2-0-0 wide will fit between the bottom chord and any other members.
 - 9) Bearing at joint(s) I, M considers parallel to grain value using ANSI/TPI 1 angle to grain formula. Building designer should verify capacity of bearing surface.
 - 10) Provide mechanical connection (by others) of truss to bearing plate capable of withstanding 217 lb uplift at joint I and 148 lb uplift at joint M.
 - 11) This truss is designed in accordance with the 2018 International Building Code section 2306.1 and referenced standard ANSI/TPI 1.
 - 12) No notches allowed in overhang and 0 from left end and 0 from right end or 12" along rake from scarf, whichever is larger. Minimum 1.5x4 tie plates required at 2-0-0 o.c. maximum between the stacking chords. For edge-wise notching, provide at least one tie plate between each notch.



September 12, 2024

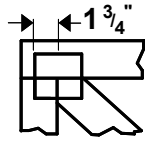
WARNING - Verify design parameters and READ NOTES ON THIS AND INCLUDED MITEK REFERENCE PAGE MII-7473 rev. 6/30/2020 BEFORE USE.
 Design valid for use only with MiTek® connectors. This design is based only upon parameters shown, and is for an individual building component, not a truss system. Before use, the building designer must verify the applicability of design parameters and properly incorporate this design into the overall building design. Bracing indicated is to prevent buckling of individual truss web and/or chord members only. Additional temporary and permanent bracing is always required for stability and to prevent collapse with possible personal injury and property damage. For general guidance regarding the fabrication, storage, delivery, erection and bracing of trusses and truss systems, see **ANSI/TPI1 Quality Criteria, DSB-89 and BCSI Building Component Safety Information** available from Truss Plate Institute, 2670 Crain Highway, Suite 203 Waldorf, MD 20601



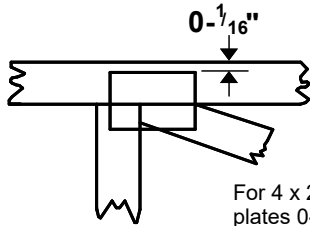
240 Stirling Crescent
 Bradford, ON. L3Z 4L5

Symbols

PLATE LOCATION AND ORIENTATION



Center plate on joint unless x, y offsets are indicated. Dimensions are in ft-in-sixteenths. Apply plates to both sides of truss and fully embed teeth.



For 4 x 2 orientation, locate plates 0- 1/16" from outside edge of truss.



This symbol indicates the required direction of slots in connector plates.

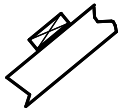
* Plate location details available in MiTek 20/20 software or upon request.

PLATE SIZE

4 x 4

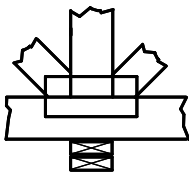
The first dimension is the plate width measured perpendicular to slots. Second dimension is the length parallel to slots.

LATERAL BRACING LOCATION



Indicated by symbol shown and/or by text in the bracing section of the output. Use T or I bracing if indicated.

BEARING

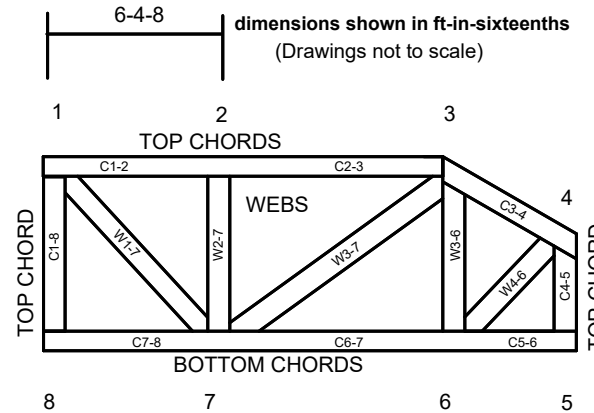


Indicates location where bearings (supports) occur. Icons vary but reaction section indicates joint number where bearings occur. Min size shown is for crushing only.

Industry Standards:

- ANSI/TPI1: National Design Specification for Metal Plate Connected Wood Truss Construction.
- DSB-89: Design Standard for Bracing.
- BCSI: Building Component Safety Information, Guide to Good Practice for Handling, Installing & Bracing of Metal Plate Connected Wood Trusses.

Numbering System



JOINTS ARE GENERALLY NUMBERED/LETTERED CLOCKWISE AROUND THE TRUSS STARTING AT THE JOINT FARTHEST TO THE LEFT.

CHORDS AND WEBS ARE IDENTIFIED BY END JOINT NUMBERS/LETTERS.

PRODUCT CODE APPROVALS

ICC-ES Reports:

ESR-1311, ESR-1352, ESR1988
ER-3907, ESR-2362, ESR-1397, ESR-3282

Trusses are designed for wind loads in the plane of the truss unless otherwise shown.

Lumber design values are in accordance with ANSI/TPI 1 section 6.3 These truss designs rely on lumber values established by others.

© 2012 MiTek® All Rights Reserved



MiTek Engineering Reference Sheet: MII-7473 rev. 6/30/2020

General Safety Notes

Failure to Follow Could Cause Property Damage or Personal Injury

1. Additional stability bracing for truss system, e.g. diagonal or X-bracing, is always required. See BCSI.
2. Truss bracing must be designed by an engineer. For wide truss spacing, individual lateral braces themselves may require bracing, or alternative Tor I bracing should be considered.
3. Never exceed the design loading shown and never stack materials on inadequately braced trusses.
4. Provide copies of this truss design to the building designer, erection supervisor, property owner and all other interested parties.
5. Cut members to bear tightly against each other.
6. Place plates on each face of truss at each joint and embed fully. Knots and wane at joint locations are regulated by ANSI/TPI 1.
7. Design assumes trusses will be suitably protected from the environment in accord with ANSI/TPI 1.
8. Unless otherwise noted, moisture content of lumber shall not exceed 19% at time of fabrication.
9. Unless expressly noted, this design is not applicable for use with fire retardant, preservative treated, or green lumber.
10. Camber is a non-structural consideration and is the responsibility of truss fabricator. General practice is to camber for dead load deflection.
11. Plate type, size, orientation and location dimensions indicated are minimum plating requirements.
12. Lumber used shall be of the species and size, and in all respects, equal to or better than that specified.
13. Top chords must be sheathed or purlins provided at spacing indicated on design.
14. Bottom chords require lateral bracing at 10 ft. spacing, or less, if no ceiling is installed, unless otherwise noted.
15. Connections not shown are the responsibility of others.
16. Do not cut or alter truss member or plate without prior approval of an engineer.
17. Install and load vertically unless indicated otherwise.
18. Use of green or treated lumber may pose unacceptable environmental, health or performance risks. Consult with project engineer before use.
19. Review all portions of this design (front, back, words and pictures) before use. Reviewing pictures alone is not sufficient.
20. Design assumes manufacture in accordance with ANSI/TPI 1 Quality Criteria.
21. The design does not take into account any dynamic or other loads other than those expressly stated.