

Building  
ACCEPTED

JMontgomery  
05/08/2024  
2:59:06 PM



PRMU20240285 - BLDG B



# BRADLEY HEIGHTS SS LLC

## BRADLEY HEIGHTS APARTMENTS BUILDINGS 'A' Through 'H' 202 27<sup>th</sup> Avenue SE Puyallup, WA

FULL SIZED LEDGIBLE COLOR REPORTS IS  
REQUIRED TO BE PROVIDED BY THE  
PERMITTEE ON SITE FOR ALL INSPECTIONS

**SUBMITTAL #2**

Alliance Job # N0653

**Date: Sept. 16, 2024**

Representative: Craig Westerberg



PRMU20240285 - BLDG B

**MiTek Canada, Inc.**

240 Stirling Crescent  
Bradford, ON. Canada L3Z 4L5  
Phone (905) 952-2900  
Toll Free (800) 268-3434

Re: N0653A  
Buildings A-H

The truss drawing(s) referenced below have been prepared by MiTek USA, Inc. under my direct supervision based on the parameters provided by Alliance Truss (CA).

Pages or sheets covered by this seal: U1530820 thru U1530901

My license renewal date for the state of Washington is February 17, 2026.



September 12, 2024

Garcia, Juan

**IMPORTANT NOTE:** The seal on these truss component designs is a certification that the engineer named is licensed in the jurisdiction(s) identified and that the designs comply with ANSI/TPI 1. These designs are based upon parameters shown (e.g., loads, supports, dimensions, shapes and design codes), which were given to MiTek or TRENCO. Any project specific information included is for MiTek's or TRENCO's customers file reference purpose only, and was not taken into account in the preparation of these designs. MiTek or TRENCO has not independently verified the applicability of the design parameters or the designs for any particular building. Before use, the building designer should verify applicability of design parameters and properly incorporate these designs into the overall building design per ANSI/TPI 1, Chapter 2.



PRMU20240285 - BLDG B

**MiTek Canada, Inc.**

240 Stirling Crescent  
Bradford, ON. Canada L3Z 4L5  
Phone (905) 952-2900  
Toll Free (800) 268-3434

Re: N0653A  
Buildings A-H

The truss drawing(s) referenced below have been prepared by MiTek USA, Inc. under my direct supervision based on the parameters provided by Alliance Truss (CA).

Pages or sheets covered by this seal: U1530772 thru U1530819

My license renewal date for the state of Washington is February 17, 2026.



September 12, 2024

Garcia, Juan

**IMPORTANT NOTE:** The seal on these truss component designs is a certification that the engineer named is licensed in the jurisdiction(s) identified and that the designs comply with ANSI/TPI 1. These designs are based upon parameters shown (e.g., loads, supports, dimensions, shapes and design codes), which were given to MiTek or TRENCO. Any project specific information included is for MiTek's or TRENCO's customers file reference purpose only, and was not taken into account in the preparation of these designs. MiTek or TRENCO has not independently verified the applicability of the design parameters or the designs for any particular building. Before use, the building designer should verify applicability of design parameters and properly incorporate these designs into the overall building design per ANSI/TPI 1, Chapter 2.

Job	Truss	Truss Type	Qty	Ply	Buildings A-H	U1530772
N0653A	A1	GABLE	7	1		

Alliance Truss (CA), Abbotsford, BC - V2S 7P6, 8.630 s Jul 12 2024 MiTek Industries, Inc. Thu Sep 12 02:47:22 2024 Page 1

ID:hFyjDMxRTsEK\_kgkR0vWWVzFgC-RfC?PsB70Hq3NSgPqnL8w3ulTXbGKWrCDoi7J4zJC?f



Scale = 1:69.1

**PRMU20240285 - BLDG B**

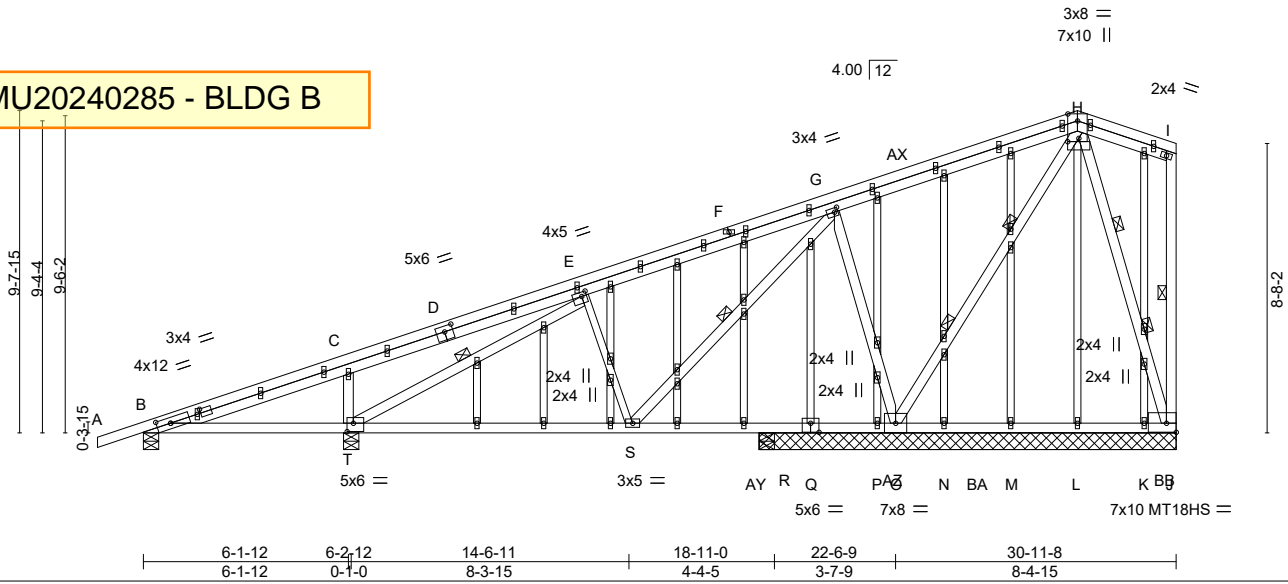


Plate Offsets (X,Y)-- [B:0-5-0,0-2-0], [B:0-11-7,0-1-8], [D:0-3-0,0-2-0], [E:0-1-12,0-1-8], [G:0-1-4,0-1-8], [H:0-4-0,0-1-3], [J:Edge,0-3-4], [Q:0-3-0,0-3-4], [T:0-2-4,0-3-0]

LOADING (psf)	SPACING-	CSI.	DEFL.	in (loc)	l/defl	L/d	PLATES	GRIP
TCLL 25.0 (Roof Snow=25.0)	2-0-0	TC 0.90	Vert(LL)	-0.14	S-T	>999	MT20	197/144
TCDL 12.0	Plate Grip DOL 1.15	BC 1.00	Vert(CT)	-0.24	S-T	>616	MT18HS	197/144
BCLL 0.0 *	Lumber DOL 1.15	WB 0.92	Horz(CT)	-0.14	K	n/a		
BCDL 10.0	Rep Stress Incr YES	Matrix-MS	Wind(LL)	0.10	S-T	>999		
	Code IBC2018/TPI2014						Weight: 224 lb	FT = 20%

**LUMBER-**

TOP CHORD 2x4 SPF No.2  
 BOT CHORD 2x4 SPF No.2  
 WEBS 2x4 SPF No.2 \*Except\*  
 E-S: 2x3 SPF No.2, H-O: 2x4 SPF 2100F 1.8E  
 OTHERS 2x3 SPF No.2

**BRACING-**

TOP CHORD Structural wood sheathing directly applied or 2-2-0 oc purlins, except end verticals.  
 BOT CHORD Rigid ceiling directly applied or 1-4-12 oc bracing.  
 WEBS 1 Row at midpt E-T, G-S, I-J  
 2 Rows at 1/3 pts H-O, H-J

**REACTIONS.**

All bearings 12-6-0 except (jt=length) B=0-5-8, T=0-5-8, R=0-5-8.  
 (lb) - Max Horz B=767(LC 35)  
 Max Uplift All uplift 100 lb or less at joint(s) P, K, R except B=683(LC 32), T=1390(LC 40), O=3168(LC 32), J=2861(LC 39)  
 Max Grav All reactions 250 lb or less at joint(s) L, M, N, P, K, R except B=862(LC 27), T=1967(LC 29), O=3358(LC 53), J=2755(LC 32)

**FORCES.**

(lb) - Max. Comp./Max. Ten. - All forces 250 (lb) or less except when shown.  
 TOP CHORD B-C=-1871/1661, C-E=-1589/1525, E-G=-1305/1048, G-H=-2223/2315, H-I=-744/785  
 BOT CHORD B-T=-1672/1563, S-T=-3848/3965, R-S=-4478/4400, P-R=-4445/4400, O-P=-2509/2431,  
 N-O=-4102/4141, M-N=-3325/3278, L-M=-2136/2089, K-L=-948/900, J-K=-950/903  
 WEBS C-T=-510/168, E-T=-2789/2606, E-S=-694/690, G-S=-798/1220, G-O=-1104/584,  
 H-O=-3890/3747, H-J=-2804/2891

**NOTES-**

- 1) Wind: ASCE 7-16; Vult=115mph (3-second gust) Vasd=91mph; TCDL=4.2psf; BCDL=5.0psf; h=30ft; Ke=1.00; Cat. II; Exp B; Enclosed; MWFRS (envelope) gable end zone; cantilever left and right exposed ; end vertical left and right exposed; Lumber DOL=1.33 plate grip DOL=1.33
- 2) Truss designed for wind loads in the plane of the truss only. For studs exposed to wind (normal to the face), see Standard Industry Gable End Details as applicable, or consult qualified building designer as per ANSI/TPI 1.
- 3) TCLL: ASCE 7-16; Pf=25.0 psf (Lum DOL=1.15 Plate DOL=1.15); Is=1.0; Rough Cat B; Partially Exp.; Ce=1.0; Cs=1.00; Ct=1.10
- 4) Unbalanced snow loads have been considered for this design.
- 5) This truss has been designed for greater of min roof live load of 20.0 psf or 2.00 times flat roof load of 25.0 psf on overhangs non-concurrent with other live loads.
- 6) All plates are MT20 plates unless otherwise indicated.
- 7) All plates are 1.5x4 MT20 unless otherwise indicated.
- 8) Gable studs spaced at 2-0-0 oc.
- 9) This truss has been designed for a 10.0 psf bottom chord live load nonconcurrent with any other live loads.
- 10) \* This truss has been designed for a live load of 20.0psf on the bottom chord in all areas where a rectangle 3-6-0 tall by 2-0-0 wide will fit between the bottom chord and any other members, with BCDL = 10.0psf.
- 11) Provide mechanical connection (by others) of truss to bearing plate capable of withstanding 100 lb uplift at joint(s) P, K, R except (jt=lb) B=683, T=1390, O=3168, J=2861.
- 12) This truss is designed in accordance with the 2018 International Building Code section 2306.1 and referenced standard ANSI/TPI 1.



September 12, 2024

Continued on page 2

**WARNING - Verify design parameters and READ NOTES ON THIS AND INCLUDED MITEK REFERENCE PAGE MII-7473 rev. 6/30/2020 BEFORE USE.**  
 Design valid for use only with MiTek® connectors. This design is based only upon parameters shown, and is for an individual building component, not a truss system. Before use, the building designer must verify the applicability of design parameters and properly incorporate this design into the overall building design. Bracing indicated is to prevent buckling of individual truss web and/or chord members only. Additional temporary and permanent bracing is always required for stability and to prevent collapse with possible personal injury and property damage. For general guidance regarding the fabrication, storage, delivery, erection and bracing of trusses and truss systems, see **ANSI/TPI1 Quality Criteria, DSB-89 and BCSI Building Component Safety Information** available from Truss Plate Institute, 2670 Crain Highway, Suite 203 Waldorf, MD 20601



Job	Truss	Truss Type	Qty	Ply	Buildings A-H
N0653A	A1	GABLE	7	1	U1530772

Alliance Truss (CA), Abbotsford, BC - V2S 7P6,

8.630 s Jul 12 2024 MiTek Industries, Inc. Thu Sep 12 02:47:23 2024 Page 2  
 ID:hFyjDMxrTsEK\_kgkR0vWWVzFgc-RfC?PsB70Hq3NSgPqnL8w3ulTXbGKWrCDoi7J4zJC?f

**NOTES-**

- 13) This truss has been designed for a total drag load of 240 plf. Lumber DOL=(1.33) Plate grip DOL=(1.33) Connect truss to resist drag loads along bottom chord from 18'-5-8 to 30'-11-8 for 594.4 plf
- 14) No notches allowed in chords and 10'-0" from left end and 0 from right end or 12" along rake from scarf, whichever is larger. Minimum 1.5x4 tie plates required at 2'-0" o.c. maximum between tie stacking chords. For edge-wise notching, provide at least one tie plate between each notch.

PRMU20240285 - BLDG B

**WARNING - Verify design parameters and READ NOTES ON THIS AND INCLUDED MITEK REFERENCE PAGE MII-7473 rev. 6/30/2020 BEFORE USE.**  
 Design valid for use only with MiTek® connectors. This design is based only upon parameters shown, and is for an individual building component, not a truss system. Before use, the building designer must verify the applicability of design parameters and properly incorporate this design into the overall building design. Bracing indicated is to prevent buckling of individual truss web and/or chord members only. Additional temporary and permanent bracing is always required for stability and to prevent collapse with possible personal injury and property damage. For general guidance regarding the fabrication, storage, delivery, erection and bracing of trusses and truss systems, see **ANSI/TPI1 Quality Criteria, DSB-89 and BCSI Building Component Safety Information** available from Truss Plate Institute, 2670 Crain Highway, Suite 203 Waldorf, MD 20601



Job N0653A	Truss A2	Truss Type Common	Qty 28	Ply 1	Buildings A-H Job Reference (optional)	U1530773
---------------	-------------	----------------------	-----------	----------	---	----------

Alliance Truss (CA), Abbotsford, BC - V2S 7P6,

8.630 s Jul 12 2024 MiTek Industries, Inc. Thu Sep 12 02:47:23 2024 Page 1

ID:hFyjDMxRTsEK\_kgkR0vWWVzFfgC-RfC?PsB70Hq3NSgPqnL8w3ulTXbGKwRCDoi7J4zJC?f



**PRMU20240285 - BLDG B**

Scale = 1:60.7

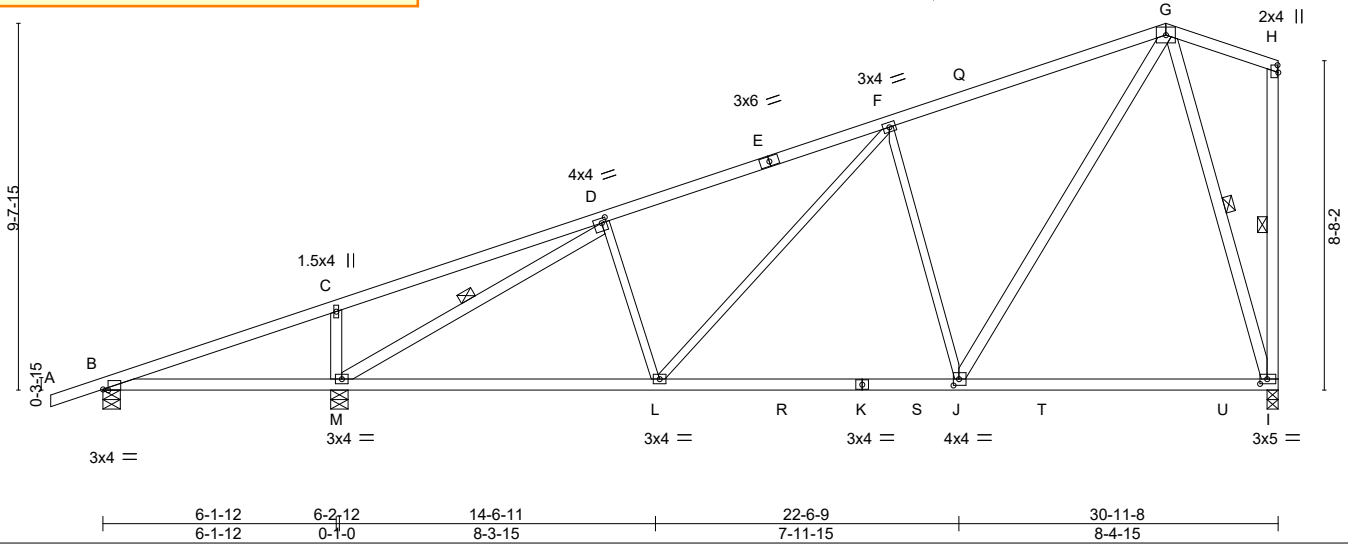


Plate Offsets (X,Y)-- [B:0-1-10,Edge], [D:0-1-8,0-1-8], [H:0-2-5,0-0-4], [I:0-2-4,0-1-8], [J:0-1-12,0-2-0]

<b>LOADING</b> (psf)	<b>SPACING-</b>	<b>CSI.</b>	<b>DEFL.</b>	<b>PLATES</b>	<b>GRIP</b>
TCLL 25.0 (Roof Snow=25.0)	2-0-0 Plate Grip DOL 1.15 Lumber DOL 1.15	TC 0.84 BC 0.80 WB 1.00 Matrix-MS	in (loc) l/defl L/d Vert(LL) -0.23 I-J >999 360 Vert(CT) -0.37 I-J >800 240 Horz(CT) 0.04 I n/a n/a Wind(LL) 0.04 J-L >999 240	MT20	197/144
TCDL 12.0	Rep Stress Incr YES Code IBC2018/TPI2014			Weight: 134 lb	FT = 20%
BCLL 0.0 *					
BCDL 10.0					

**LUMBER-**

TOP CHORD 2x4 SPF No.2  
 BOT CHORD 2x4 SPF No.2  
 WEBS 2x4 SPF No.2 \*Except\*  
 D-L,F-L,F-J: 2x3 SPF No.2

**BRACING-**

TOP CHORD Structural wood sheathing directly applied or 3-6-8 oc purlins, except end verticals.  
 BOT CHORD Rigid ceiling directly applied or 10-0-0 oc bracing, Except: 6-0-0 oc bracing: B-M.  
 WEBS 1 Row at midpt D-M, H-I, G-I

**REACTIONS.**

(size) B=0-5-8, M=0-5-8, I=0-3-8  
 Max Horz B=276(LC 9)  
 Max Uplift B=-48(LC 6), M=-200(LC 10), I=-135(LC 6)  
 Max Grav B=300(LC 1), M=1668(LC 3), I=1254(LC 3)

**FORCES.** (lb) - Max. Comp./Max. Ten. - All forces 250 (lb) or less except when shown.

TOP CHORD D-F=-1523/194, F-G=-1101/187  
 BOT CHORD L-M=-179/1377, J-L=-126/1136, I-J=-87/337  
 WEBS C-M=-513/167, D-M=-1746/193, F-L=-48/388, F-J=-782/218, G-J=-150/1234,  
 G-I=-1135/137

**NOTES-**

- 1) Wind: ASCE 7-16; Vult=115mph (3-second gust) Vasd=91mph; TCDL=4.2psf; BCDL=5.0psf; h=30ft; Ke=1.00; Cat. II; Exp B; Enclosed; MWFRS (envelope) gable end zone; cantilever left and right exposed ; end vertical left and right exposed; Lumber DOL=1.33 plate grip DOL=1.33
- 2) TCLL: ASCE 7-16; Pf=25.0 psf (Lum DOL=1.15 Plate DOL=1.15); Is=1.0; Rough Cat B; Partially Exp.; Ce=1.0; Cs=1.00; Ct=1.10
- 3) Unbalanced snow loads have been considered for this design.
- 4) This truss has been designed for greater of min roof live load of 20.0 psf or 2.00 times flat roof load of 25.0 psf on overhangs non-concurrent with other live loads.
- 5) This truss has been designed for a 10.0 psf bottom chord live load nonconcurrent with any other live loads.
- 6) \* This truss has been designed for a live load of 20.0psf on the bottom chord in all areas where a rectangle 3-6-0 tall by 2-0-0 wide will fit between the bottom chord and any other members, with BCDL = 10.0psf.
- 7) Provide mechanical connection (by others) of truss to bearing plate capable of withstanding 100 lb uplift at joint(s) B except (jt=lb) M=200, I=135.
- 8) This truss is designed in accordance with the 2018 International Building Code section 2306.1 and referenced standard ANSI/TPI 1.



September 12, 2024

**WARNING - Verify design parameters and READ NOTES ON THIS AND INCLUDED MITEK REFERENCE PAGE MII-7473 rev. 6/30/2020 BEFORE USE.**

Design valid for use only with MiTek® connectors. This design is based only upon parameters shown, and is for an individual building component, not a truss system. Before use, the building designer must verify the applicability of design parameters and properly incorporate this design into the overall building design. Bracing indicated is to prevent buckling of individual truss web and/or chord members only. Additional temporary and permanent bracing is always required for stability and to prevent collapse with possible personal injury and property damage. For general guidance regarding the fabrication, storage, delivery, erection and bracing of trusses and truss systems, see

**Safety Information** available from Truss Plate Institute, 2670 Crain Highway, Suite 203 Waldorf, MD 20601



240 Stirling Crescent  
 Bradford, ON. L3Z 4L5

Job N0653A	Truss A3	Truss Type Common	Qty 5	Ply 1	Buildings A-H Job Reference (optional)	U1530820
---------------	-------------	----------------------	----------	----------	---	----------

Alliance Truss (CA), Abbotsford, BC - V2S 7P6,

8.820 s Aug 30 2024 MiTek Industries, Inc. Thu Sep 12 02:47:57 2024 Page 1

ID:hFyjDMxrTsEK\_kgkR0vWWVzFlgc-vz5Z0lyb6AhmTLfrZVJ67B8yBDzpGD1DDm9qWvyeVrG



**PRMU20240285 - BLDG B**

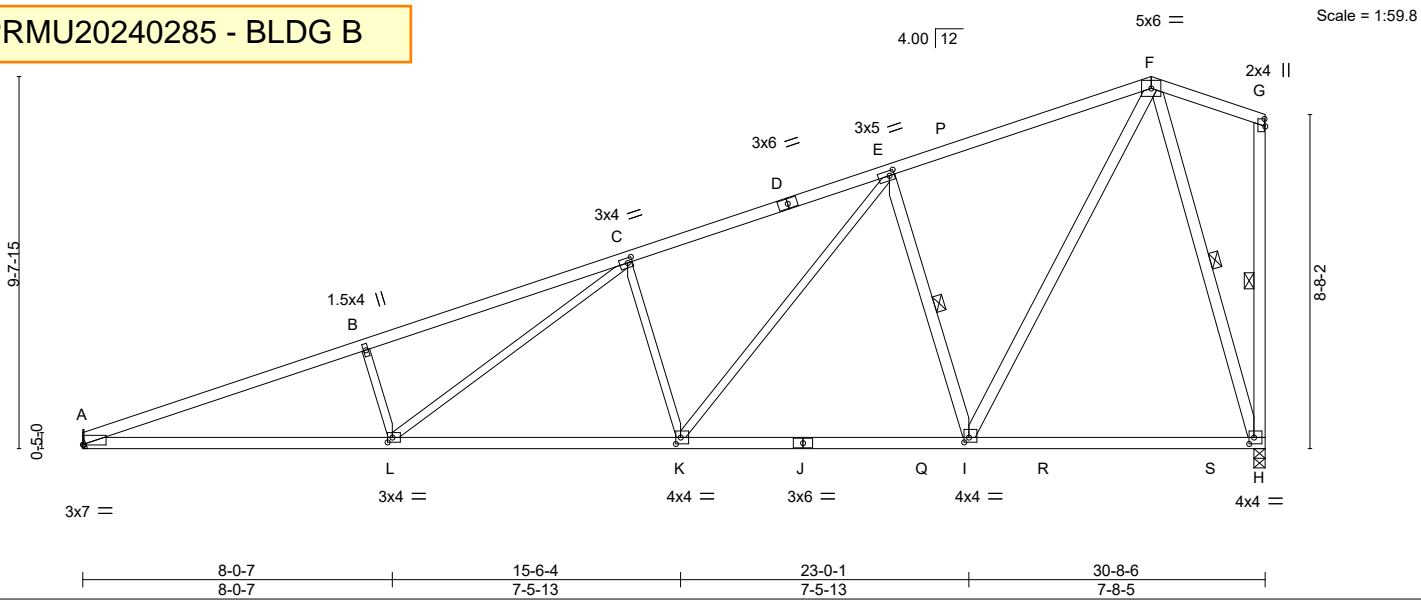


Plate Offsets (X,Y)-- [A:0-0-4,0-0-2], [C:0-1-8,0-1-8], [E:0-1-8,0-1-8], [G:0-2-5,0-0-4], [H:0-1-8,0-2-0], [I:0-1-8,0-1-8], [K:0-1-8,0-2-0], [L:0-1-8,0-1-8]

<b>LOADING</b> (psf)	<b>SPACING-</b>	<b>CSI.</b>	<b>DEFL.</b>	<b>PLATES</b>	<b>GRIP</b>
TCLL 25.0 (Roof Snow=25.0)	2-0-0 Plate Grip DOL 1.15 Lumber DOL 1.15 Rep Stress Incr YES Code IBC2018/TPI2014	TC 0.76 BC 0.80 WB 0.65 Matrix-MS	in (loc) l/defl L/d Vert(LL) -0.23 K-L >999 360 Vert(CT) -0.42 K-L >866 240 Horz(CT) 0.08 H n/a n/a Wind(LL) 0.12 K-L >999 240	MT20	197/144
TCDL 12.0				Weight: 131 lb	FT = 20%
BCLL 0.0 *					
BCDL 10.0					

<b>LUMBER-</b>	<b>BRACING-</b>
TOP CHORD 2x4 SPF No.2	TOP CHORD Structural wood sheathing directly applied or 2-2-0 oc purlins, except end verticals.
BOT CHORD 2x4 SPF No.2 *Except*	BOT CHORD Rigid ceiling directly applied or 10-0-0 oc bracing.
A-J: 2x4 SPF 2100F 1.8E	WEBS 1 Row at midpt E-I, G-H, F-H
WEBS 2x4 SPF No.2 *Except*	
B-L, C-L, C-K, E-K: 2x3 SPF No.2	

**REACTIONS.** (size) A=Mechanical, H=0-3-8  
 Max Horz A=267(LC 9)  
 Max Uplift A=-160(LC 6), H=-174(LC 6)  
 Max Grav A=1510(LC 3), H=1568(LC 3)

**FORCES.** (lb) - Max. Comp./Max. Ten. - All forces 250 (lb) or less except when shown.  
 TOP CHORD A-B=-3666/396, B-C=-3552/421, C-E=-2448/316, E-F=-1332/215  
 BOT CHORD A-L=-460/3419, K-L=-303/2468, I-K=-151/1509, H-I=-88/433  
 WEBS B-L=-491/167, C-L=-141/1068, C-K=-815/207, E-K=-156/1253, E-I=-1223/264,  
 F-I=-201/1661, F-H=-1472/172

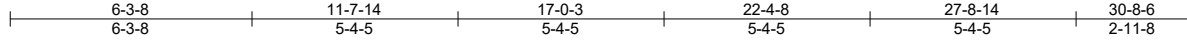
- NOTES-**
- 1) Wind: ASCE 7-16; Vult=115mph (3-second gust) Vasd=91mph; TCDL=4.2psf; BCDL=5.0psf; h=30ft; Ke=1.00; Cat. II; Exp B; Enclosed; MWFRS (envelope) gable end zone; cantilever left and right exposed ; end vertical left and right exposed; Lumber DOL=1.33 plate grip DOL=1.33
  - 2) TCLL: ASCE 7-16; Pf=25.0 psf (Lum DOL = 1.15 Plate DOL = 1.15); Is=1.0; Rough Cat B; Partially Exp.; Ce=1.0; Cs=1.00; Ct=1.10
  - 3) Unbalanced snow loads have been considered for this design.
  - 4) This truss has been designed for a 10.0 psf bottom chord live load nonconcurrent with any other live loads.
  - 5) \* This truss has been designed for a live load of 20.0psf on the bottom chord in all areas where a rectangle 3-6-0 tall by 2-0-0 wide will fit between the bottom chord and any other members, with BCDL = 10.0psf.
  - 6) Refer to girder(s) for truss to truss connections.
  - 7) Provide mechanical connection (by others) of truss to bearing plate capable of withstanding 100 lb uplift at joint(s) except (jt=lb) A=160, H=174.
  - 8) This truss is designed in accordance with the 2018 International Building Code section 2306.1 and referenced standard ANSI/TPI 1.



September 12, 2024

Job	Truss	Truss Type	Qty	Ply	Buildings A-H	U1530821
N0653A	A3A	Scissor	30	1		

Alliance Truss (CA), Abbotsford, BC - V2S 7P6, 8.820 s Aug 30 2024 MiTek Industries, Inc. Thu Sep 12 02:47:58 2024 Page 1  
 ID:hFyjDMxrTsEK\_kgkR0vWWVzFlgc-NAfxE5zDTpc5VE27CqLgPh7fdIP?eJMRQvO2MMyeVrF



**PRMU20240285 - BLDG B**

Scale = 1:60.0

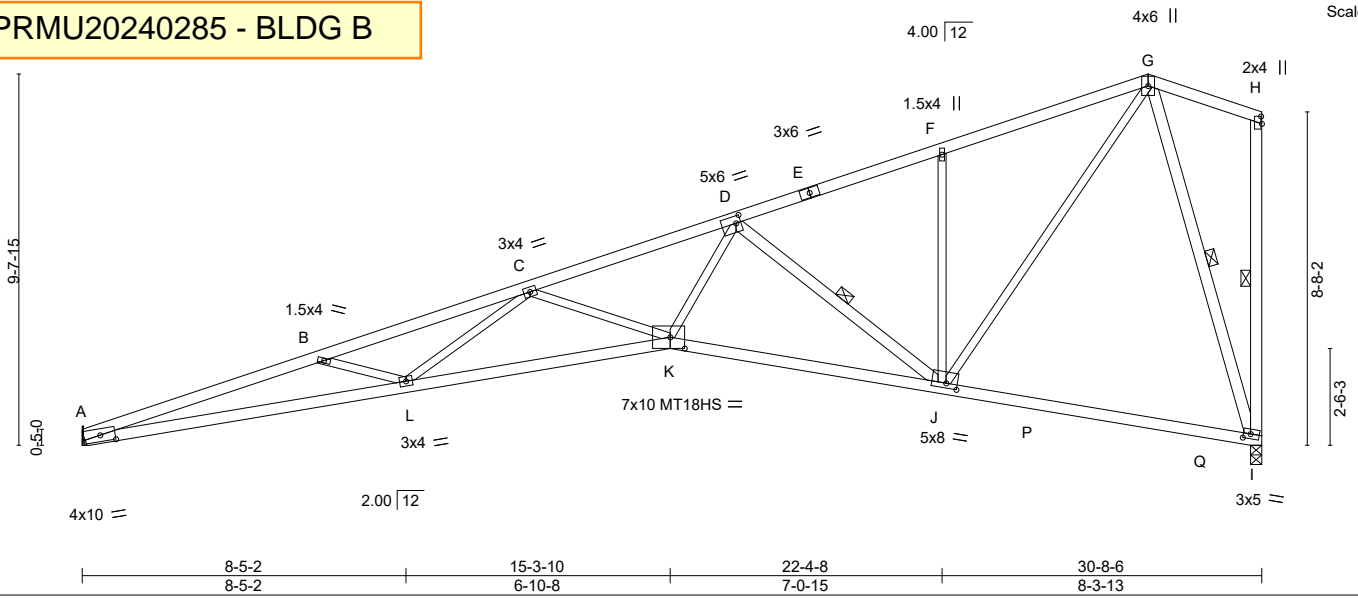


Plate Offsets (X,Y)-- [A:0-4-11,0-2-0], [D:0-1-8,0-2-4], [H:0-2-5,0-0-4], [I:0-2-4,0-1-8], [J:0-3-8,0-1-8], [K:0-4-8,0-3-8]

LOADING (psf)	SPACING-	CSI.	DEFL.	PLATES	GRIP
TCLL 25.0 (Roof Snow=25.0)	2-0-0 Plate Grip DOL 1.15	TC 0.71	in (loc) l/defl L/d	MT20	197/144
TCDL 12.0	Lumber DOL 1.15	BC 0.84	Vert(LL) -0.57 K-L >639 360	MT18HS	197/144
BCLL 0.0 *	Rep Stress Incr YES	WB 0.77	Vert(CT) -1.04 K-L >351 240		
BCDL 10.0	Code IBC2018/TPI2014	Matrix-MS	Horz(CT) 0.43 I n/a n/a		
			Wind(LL) 0.31 K-L >999 240	Weight: 124 lb	FT = 20%

**LUMBER-**

TOP CHORD 2x4 SPF No.2 \*Except\*  
 A-E: 2x4 SPF 2100F 1.8E  
 BOT CHORD 2x4 SPF 2100F 1.8E  
 WEBS 2x3 SPF No.2 \*Except\*  
 D-J,H-I,G-I: 2x4 SPF No.2

**BRACING-**

TOP CHORD Structural wood sheathing directly applied or 2-3-6 oc purlins, except end verticals.  
 BOT CHORD Rigid ceiling directly applied or 8-3-13 oc bracing.  
 WEBS 1 Row at midpt D-J, H-I, G-I

**REACTIONS.**

(size) A=Mechanical, I=0-3-8  
 Max Horz A=268(LC 9)  
 Max Uplift A=-160(LC 6), I=-174(LC 6)  
 Max Grav A=1496(LC 3), I=1541(LC 3)

**FORCES.** (lb) - Max. Comp./Max. Ten. - All forces 250 (lb) or less except when shown.

TOP CHORD A-B=-6536/821, B-C=-6142/686, C-D=-4578/532, D-F=-1696/209, F-G=-1723/270  
 BOT CHORD A-L=-887/6230, K-L=-705/5293, J-K=-394/3304, I-J=-98/475  
 WEBS B-L=-456/187, C-L=-4/776, C-K=-1007/216, D-K=-229/2254, D-J=-2182/333,  
 F-J=-504/147, G-J=-253/2028, G-I=-1485/166

**NOTES-**

- 1) Wind: ASCE 7-16; Vult=115mph (3-second gust) Vasd=91mph; TCDL=4.2psf; BCDL=5.0psf; h=30ft; Ke=1.00; Cat. II; Exp B; Enclosed; MWFRS (envelope) gable end zone; cantilever left and right exposed ; end vertical left and right exposed; Lumber DOL=1.33 plate grip DOL=1.33
- 2) TCLL: ASCE 7-16; Pf=25.0 psf (Lum DOL = 1.15 Plate DOL = 1.15); Is=1.0; Rough Cat B; Partially Exp.; Ce=1.0; Cs=1.00; Ct=1.10
- 3) Unbalanced snow loads have been considered for this design.
- 4) All plates are MT20 plates unless otherwise indicated.
- 5) This truss has been designed for a 10.0 psf bottom chord live load nonconcurrent with any other live loads.
- 6) \* This truss has been designed for a live load of 20.0psf on the bottom chord in all areas where a rectangle 3-6-0 tall by 2-0-0 wide will fit between the bottom chord and any other members, with BCDL = 10.0psf.
- 7) Refer to girder(s) for truss to truss connections.
- 8) Bearing at joint(s) I considers parallel to grain value using ANSI/TPI 1 angle to grain formula. Building designer should verify capacity of bearing surface.
- 9) Provide mechanical connection (by others) of truss to bearing plate capable of withstanding 100 lb uplift at joint(s) except (I=lb) A=160, I=174.
- 10) This truss is designed in accordance with the 2018 International Building Code section 2306.1 and referenced standard ANSI/TPI 1.



September 12, 2024

**WARNING - Verify design parameters and READ NOTES ON THIS AND INCLUDED MITEK REFERENCE PAGE MII-7473 rev. 6/30/2020 BEFORE USE.**

Design valid for use only with MiTek® connectors. This design is based only upon parameters shown, and is for an individual building component, not a truss system. Before use, the building designer must verify the applicability of design parameters and properly incorporate this design into the overall building design. Bracing indicated is to prevent buckling of individual truss web and/or chord members only. Additional temporary and permanent bracing is always required for stability and to prevent collapse with possible personal injury and property damage. For general guidance regarding the fabrication, storage, delivery, erection and bracing of trusses and truss systems, see

**ANSI/TPI1 Quality Criteria, DSB-89 and BCSI Building Component Safety Information** available from Truss Plate Institute, 2670 Crain Highway, Suite 203 Waldorf, MD 20601



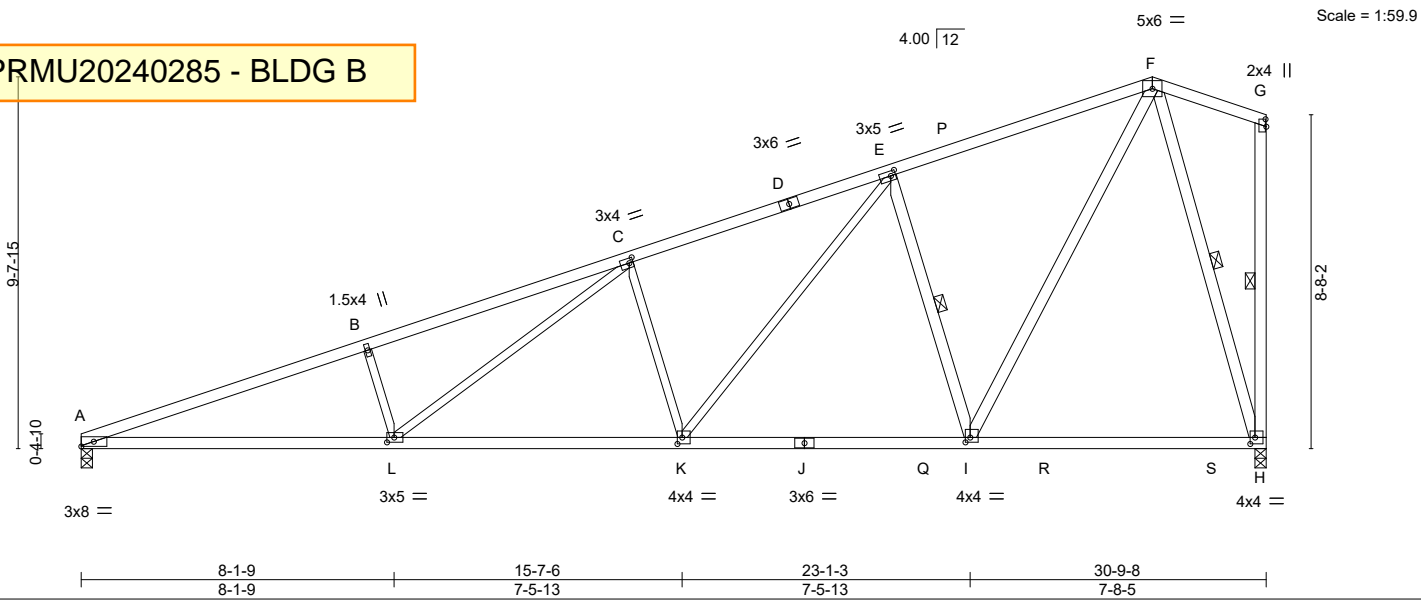
240 Stirling Crescent  
 Bradford, ON. L3Z 4L5



Job N0653A	Truss A4	Truss Type Common	Qty 30	Ply 1	Buildings A-H	U1530822
---------------	-------------	----------------------	-----------	----------	---------------	----------

Alliance Truss (CA), Abbotsford, BC - V2S 7P6, 8.820 s Aug 30 2024 MiTek Industries, Inc. Thu Sep 12 02:47:58 2024 Page 1  
 ID:hFyjDMxrTsEK\_kgkR0vWWVzFfgc-NAfxE5zDtTpc5VE27CqLgPh5idJ\_?gFMRQvO2MyeVrF

**PRMU20240285 - BLDG B**



<b>LOADING</b> (psf)	<b>SPACING-</b>	<b>CSI.</b>	<b>DEFL.</b>	<b>PLATES</b>	<b>GRIP</b>
TCLL 25.0 (Roof Snow=25.0)	2-0-0 Plate Grip DOL 1.15 Lumber DOL 1.15 Rep Stress Incr YES Code IBC2018/TPI2014	TC 0.84 BC 0.80 WB 0.65 Matrix-MS	in (loc) l/defl L/d Vert(LL) -0.23 K-L >999 360 Vert(CT) -0.42 K-L >873 240 Horz(CT) 0.08 H n/a n/a Wind(LL) 0.12 L >999 240	MT20	197/144
TCDL 12.0				Weight: 131 lb	FT = 20%
BCLL 0.0 *					
BCDL 10.0					

<b>LUMBER-</b>	<b>BRACING-</b>
TOP CHORD 2x4 SPF No.2	TOP CHORD Structural wood sheathing directly applied or 2-2-0 oc purlins, except end verticals.
BOT CHORD 2x4 SPF No.2 *Except*	BOT CHORD Rigid ceiling directly applied or 10-0-0 oc bracing.
A-J: 2x4 SPF 2100F 1.8E	WEBS 1 Row at midpt E-I, G-H, F-H
WEBS 2x4 SPF No.2 *Except*	
B-L, C-L, C-K, E-K: 2x3 SPF No.2	

**REACTIONS.** (size) A=0-3-8, H=0-3-8  
 Max Horz A=268(LC 9)  
 Max Uplift A=-161(LC 6), H=-175(LC 6)  
 Max Grav A=1514(LC 3), H=1572(LC 3)

**FORCES.** (lb) - Max. Comp./Max. Ten. - All forces 250 (lb) or less except when shown.  
 TOP CHORD A-B=-3719/402, B-C=-3606/427, C-E=-2460/317, E-F=-1337/216  
 BOT CHORD A-L=-465/3472, K-L=-305/2483, I-K=-152/1515, H-I=-88/434  
 WEBS B-L=-503/168, C-L=-146/1113, C-K=-826/208, E-K=-157/1262, E-I=-1229/265,  
 F-I=-201/1669, F-H=-1477/172

- NOTES-**
- 1) Wind: ASCE 7-16; Vult=115mph (3-second gust) Vasd=91mph; TCDL=4.2psf; BCDL=5.0psf; h=30ft; Ke=1.00; Cat. II; Exp B; Enclosed; MWFRS (envelope) gable end zone; cantilever left and right exposed ; end vertical left and right exposed; Lumber DOL=1.33 plate grip DOL=1.33
  - 2) TCLL: ASCE 7-16; Pf=25.0 psf (Lum DOL = 1.15 Plate DOL = 1.15); Is=1.0; Rough Cat B; Partially Exp.; Ce=1.0; Cs=1.00; Ct=1.10
  - 3) Unbalanced snow loads have been considered for this design.
  - 4) This truss has been designed for a 10.0 psf bottom chord live load nonconcurrent with any other live loads.
  - 5) \* This truss has been designed for a live load of 20.0psf on the bottom chord in all areas where a rectangle 3-6-0 tall by 2-0-0 wide will fit between the bottom chord and any other members, with BCDL = 10.0psf.
  - 6) Provide mechanical connection (by others) of truss to bearing plate capable of withstanding 100 lb uplift at joint(s) except (jt=lb) A=161, H=175.
  - 7) This truss is designed in accordance with the 2018 International Building Code section 2306.1 and referenced standard ANSI/TPI 1.



September 12, 2024

Job	Truss	Truss Type	Qty	Ply	Buildings A-H	U1530823
N0653A	A5	GABLE	5	1		

Alliance Truss (CA), Abbotsford, BC - V2S 7P6, 8.820 s Aug 30 2024 MiTek Industries, Inc. Thu Sep 12 02:48:00 2024 Page 1  
 ID:hFyjDMxrTsEK\_kgkR0vWWVzFlgc-JYnhem\_UP53KkPQQFdsplqmS0Q1WTXWfKOU7EyeVrD  
 7-5-5 14-2-14 21-0-7 27-10-0 30-9-8  
 7-5-5 6-9-9 6-9-9 6-9-9 2-11-8

**PRMU20240285 - BLDG B**

Scale = 1:69.2

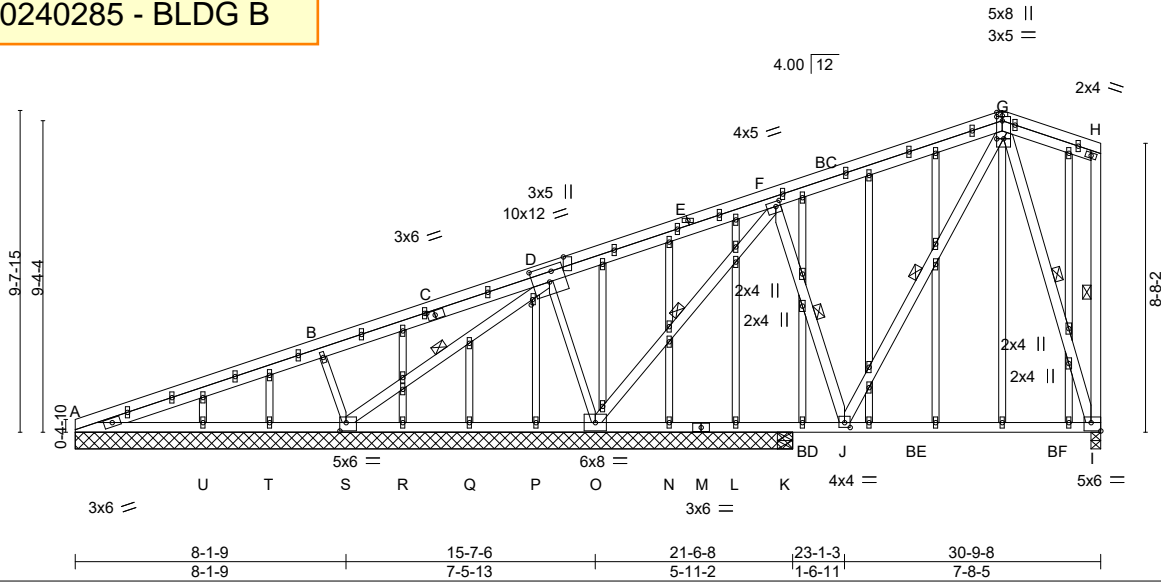


Plate Offsets (X,Y)-- [C:0-2-11,0-1-8], [D:0-6-0,0-5-8], [D:0-1-14,0-0-8], [D:0-5-3,Edge], [F:0-1-12,0-1-12], [G:0-1-8,0-2-0], [G:0-2-8,0-0-1], [G:0-2-0,Edge], [I:Edge,0-3-0], [J:0-2-0,0-1-12], [S:0-2-4,0-3-0]

<b>LOADING</b> (psf)	<b>SPACING-</b>	<b>CSI.</b>	<b>DEFL.</b>	in (loc)	l/defl	L/d	<b>PLATES</b>	<b>GRIP</b>
TCLL 25.0	2-0-0	TC 0.79	Vert(LL) -0.17	I-J	>679	360	MT20	197/144
(Roof Snow=25.0)	Plate Grip DOL 1.15	BC 0.61	Vert(CT) -0.26	I-J	>427	240		
TCDL 12.0	Lumber DOL 1.15	WB 0.86	Horz(CT) -0.02	N	n/a	n/a		
BCLL 0.0 *	Rep Stress Incr YES	Matrix-MS	Wind(LL) 0.03	I-J	>999	240		
BCDL 10.0	Code IBC2018/TPI2014						Weight: 223 lb	FT = 20%

<b>LUMBER-</b>	<b>BRACING-</b>
TOP CHORD 2x4 SPF No.2	TOP CHORD Structural wood sheathing directly applied or 2-2-0 oc purlins, except end verticals.
BOT CHORD 2x4 SPF No.2	BOT CHORD Rigid ceiling directly applied or 3-10-7 oc bracing.
WEBS 2x4 SPF No.2 *Except*	WEBS 1 Row at midpt D-S, F-O, F-J, G-J, H-I, G-I
B-S,D-O: 2x3 SPF No.2	
OTHERS 2x3 SPF No.2	

**REACTIONS.** All bearings 21-6-8 except (jt=length) I=0-3-8, K=0-5-8.  
 (lb) - Max Horz A=298(LC 38)  
 Max Uplift All uplift 100 lb or less at joint(s) T, U except S=-1694(LC 31), O=-1065(LC 31), I=-1279(LC 32), A=-840(LC 31), K=-116(LC 18)  
 Max Grav All reactions 250 lb or less at joint(s) L, N, P, Q, R, T, U, K except S=1772(LC 52), O=1663(LC 28), I=1646(LC 25), A=920(LC 52), A=276(LC 1)


**FORCES.** (lb) - Max. Comp./Max. Ten. - All forces 250 (lb) or less except when shown.  
 TOP CHORD A-B=-2591/2424, B-D=-957/932, D-F=-1614/1540, F-G=-1708/1570, G-H=-750/788  
 BOT CHORD A-U=-2089/1978, T-U=-1312/1201, S-T=-547/515, R-S=-1794/1683, Q-R=-1210/1101, P-Q=-524/415, O-P=-996/887, N-O=-746/884, L-N=-873/979, K-L=-1381/1447, J-K=-1381/1447, I-J=-450/468  
 WEBS B-S=-571/218, D-S=-2554/2513, D-O=-933/949, F-O=-2375/2163, F-J=-1136/1263, G-J=-1255/1387, G-I=-1543/1354

- NOTES-**
- 1) Wind: ASCE 7-16; Vult=115mph (3-second gust) Vasd=91mph; TCCL=4.2psf; BCDL=5.0psf; h=30ft; Ke=1.00; Cat. II; Exp B; Enclosed; MWFRS (envelope) gable end zone; cantilever left and right exposed; end vertical left and right exposed; Lumber DOL=1.33 plate grip DOL=1.33
  - 2) Truss designed for wind loads in the plane of the truss only. For studs exposed to wind (normal to the face), see Standard Industry Gable End Details as applicable, or consult qualified building designer as per ANSI/TPI 1.
  - 3) TCLL: ASCE 7-16; Pf=25.0 psf (Lum DOL = 1.15 Plate DOL = 1.15); Is=1.0; Rough Cat B; Partially Exp.; Ce=1.0; Cs=1.00; Ct=1.10
  - 4) Unbalanced snow loads have been considered for this design.
  - 5) All plates are 1.5x4 MT20 unless otherwise indicated.
  - 6) Gable studs spaced at 2-0-0 oc.
  - 7) This truss has been designed for a 10.0 psf bottom chord live load nonconcurrent with any other live loads.
  - 8) \* This truss has been designed for a live load of 20.0psf on the bottom chord in all areas where a rectangle 3-6-0 tall by 2-0-0 wide will fit between the bottom chord and any other members, with BCDL = 10.0psf.
  - 9) Provide mechanical connection (by others) of truss to bearing plate capable of withstanding 100 lb uplift at joint(s) T, U except (jt=length) S=1694, O=1065, I=1279, A=840, K=116, A=840.
  - 10) This truss is designed in accordance with the 2018 International Building Code section 2306.1 and referenced standard ANSI/TPI 1.
  - 11) This truss has been designed for a total drag load of 240 plf. Lumber DOL=(1.33) Plate grip DOL=(1.33) Connect truss to resist



September 12, 2024

**WARNING - Verify design parameters and READ NOTES ON THIS AND INCLUDED MITEK REFERENCE PAGE MII-7473 rev. 6/30/2020 BEFORE USE.**  
 Design valid for use only with MiTek® connectors. This design is based only upon parameters shown, and is for an individual building component, not a truss system. Before use, the building designer must verify the applicability of design parameters and properly incorporate this design into the overall building design. Bracing indicated is to prevent buckling of individual truss web and/or chord members only. Additional temporary and permanent bracing is always required for stability and to prevent collapse with possible personal injury and property damage. For general guidance regarding the fabrication, storage, delivery, erection and bracing of trusses and truss systems, see **ANSI/TPI1 Quality Criteria, DSB-89 and BCSI Building Component Safety Information** available from Truss Plate Institute, 2670 Crain Highway, Suite 203 Waldorf, MD 20601



240 Stirling Crescent  
 Bradford, ON. L3Z 4L5


Job	Truss	Truss Type	Qty	Ply	Buildings A-H	U1530823
N0653A	A5	GABLE	5	1	Job Reference (optional)	

Alliance Truss (CA), Abbotsford, BC - V2S 7P6,

8.820 s Aug 30 2024 MiTek Industries, Inc. Thu Sep 12 02:48:00 2024 Page 2  
 ID:hFyjDMxrTsEK\_kgkR0vWWVzFlgc-JYnhem\_UP53KKpOQFdspIqmS0Q1WTXWfKOU7EyeVrD

- NOTES-**
- 12) No notches allowed in overhang and 0 from left end and 0 from right end or 12" along rake from scarf, whichever is larger. Minimum 1.5x4 tie plates required at 2-0-0 o.c. maximum between the stacking chords. For edge-wise notching, provide at least one tie plate between each notch.

PRMU20240285 - BLDG B

 **WARNING - Verify design parameters and READ NOTES ON THIS AND INCLUDED MITEK REFERENCE PAGE MII-7473 rev. 6/30/2020 BEFORE USE.**  
 Design valid for use only with MiTek® connectors. This design is based only upon parameters shown, and is for an individual building component, not a truss system. Before use, the building designer must verify the applicability of design parameters and properly incorporate this design into the overall building design. Bracing indicated is to prevent buckling of individual truss web and/or chord members only. Additional temporary and permanent bracing is always required for stability and to prevent collapse with possible personal injury and property damage. For general guidance regarding the fabrication, storage, delivery, erection and bracing of trusses and truss systems, see **ANSI/TPI1 Quality Criteria, DSB-89 and BCSI Building Component Safety Information** available from Truss Plate Institute, 2670 Crain Highway, Suite 203 Waldorf, MD 20601

  
 240 Stirling Crescent  
 Bradford, ON. L3Z 4L5

Job	Truss	Truss Type	Qty	Ply	Buildings A-H	U1530824
N0653A	A6	Common	2	1		

Alliance Truss (CA), Abbotsford, BC - V2S 7P6, 8.820 s Aug 30 2024 MiTek Industries, Inc. Thu Sep 12 02:48:01 2024 Page 1  
 ID:hFyjDMxrTsEK\_kgkR0vWWVzFlgc-nL3s6?6A0BBByzdoLN2I1JdLqOfCy0p7O72fgyeVrC  
 19-6-0 26-8-14 29-8-6  
 5-0-4 12-3-2 7-2-14 7-2-14 7-2-14 2-11-8

**PRMU20240285 - BLDG B**

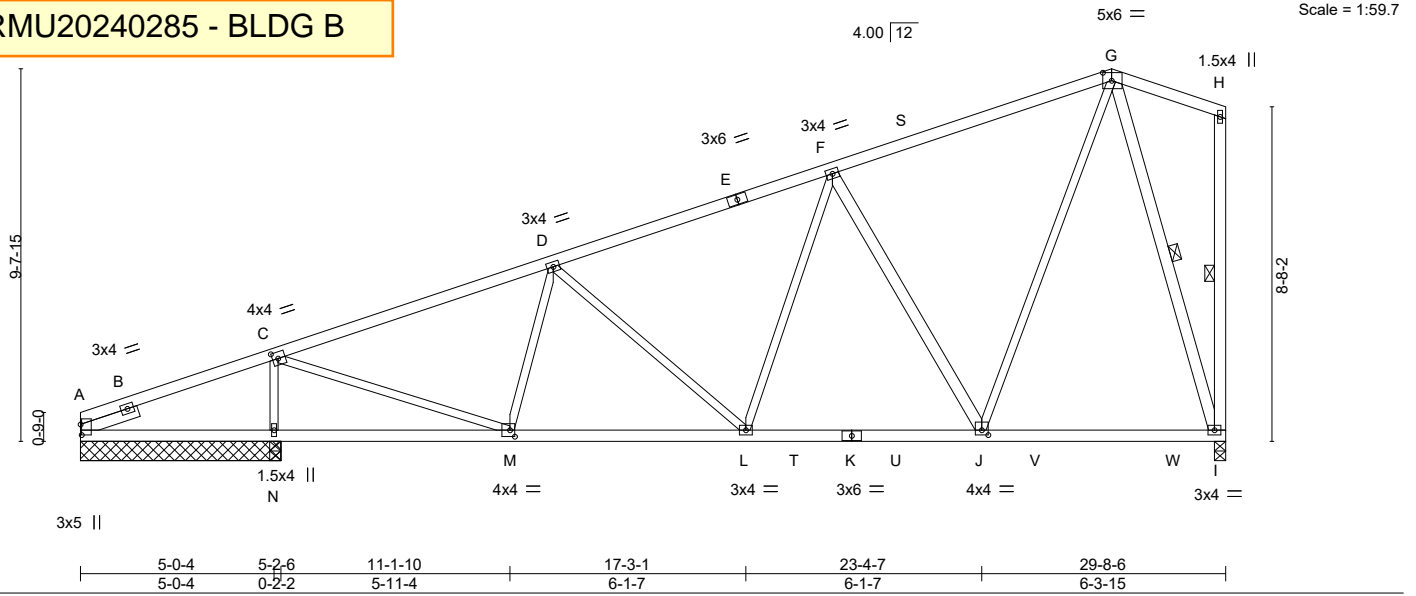


Plate Offsets (X,Y)-- [A:0-3-5,0-0-6], [C:0-1-12,0-2-0], [G:0-2-12,0-2-8], [J:0-2-0,0-1-8], [M:0-1-8,0-2-0]

LOADING (psf)	SPACING-	CSI.	DEFL.	PLATES	GRIP
TCLL 25.0 (Roof Snow=25.0)	2-0-0 Plate Grip DOL 1.15	TC 0.81	in (loc) l/defl L/d	MT20	197/144
TCDL 12.0	Lumber DOL 1.15	BC 0.55	Vert(LL) -0.08 I-J >999 360		
BCLL 0.0 *	Rep Stress Incr YES	WB 0.97	Vert(CT) -0.14 L-M >999 240		
BCDL 10.0	Code IBC2018/TPI2014	Matrix-MS	Horz(CT) 0.03 I n/a n/a		
			Wind(LL) 0.04 L-M >999 240	Weight: 130 lb	FT = 20%

**LUMBER-**

TOP CHORD 2x4 SPF No.2  
 BOT CHORD 2x4 SPF No.2  
 WEBS 2x3 SPF No.2 \*Except\*  
 F-J,H-I,G-I: 2x4 SPF No.2  
 SLIDER Left 2x4 SPF No.2 1-7-0

**BRACING-**

TOP CHORD Structural wood sheathing directly applied or 4-2-4 oc purlins, except end verticals.  
 BOT CHORD Rigid ceiling directly applied or 10-0-0 oc bracing.  
 WEBS 1 Row at midpt H-I, G-I

**REACTIONS.**

All bearings 5-2-6 except (jt=length) I=0-3-8.  
 (lb) - Max Horz A=253(LC 10)  
 Max Uplift All uplift 100 lb or less at joint(s) except N=186(LC 6), I=156(LC 6)  
 Max Grav All reactions 250 lb or less at joint(s) A, A except N=1548(LC 3), N=1463(LC 1), I=1241(LC 3)

**FORCES.** (lb) - Max. Comp./Max. Ten. - All forces 250 (lb) or less except when shown.

TOP CHORD C-D=-1470/90, D-F=-1363/113, F-G=-834/90  
 BOT CHORD L-M=-264/1390, J-L=-186/1109, I-J=-52/342  
 WEBS C-N=-1344/232, C-M=-94/1385, D-M=-327/100, D-L=-271/101, F-L=-10/409, F-J=-859/198,  
 G-J=-1111/1073, G-I=-1171/186

**NOTES-**

- 1) Wind: ASCE 7-16; Vult=115mph (3-second gust) Vasd=91mph; TCDL=4.2psf; BCDL=5.0psf; h=30ft; Ke=1.00; Cat. II; Exp B; Enclosed; MWFRS (envelope) gable end zone; cantilever left exposed ; end vertical left exposed; Lumber DOL=1.33 plate grip DOL=1.33
- 2) TCLL: ASCE 7-16; Pf=25.0 psf (Lum DOL = 1.15 Plate DOL = 1.15); Is=1.0; Rough Cat B; Partially Exp.; Ce=1.0; Cs=1.00; Ct=1.10
- 3) Unbalanced snow loads have been considered for this design.
- 4) This truss has been designed for a 10.0 psf bottom chord live load nonconcurrent with any other live loads.
- 5) \* This truss has been designed for a live load of 20.0psf on the bottom chord in all areas where a rectangle 3-6-0 tall by 2-0-0 wide will fit between the bottom chord and any other members, with BCDL = 10.0psf.
- 6) Provide mechanical connection (by others) of truss to bearing plate capable of withstanding 186 lb uplift at joint N and 156 lb uplift at joint I.
- 7) This truss is designed in accordance with the 2018 International Building Code section 2306.1 and referenced standard ANSI/TPI 1.



September 12, 2024

**WARNING - Verify design parameters and READ NOTES ON THIS AND INCLUDED MITEK REFERENCE PAGE MII-7473 rev. 6/30/2020 BEFORE USE.**

Design valid for use only with MiTek® connectors. This design is based only upon parameters shown, and is for an individual building component, not a truss system. Before use, the building designer must verify the applicability of design parameters and properly incorporate this design into the overall building design. Bracing indicated is to prevent buckling of individual truss web and/or chord members only. Additional temporary and permanent bracing is always required for stability and to prevent collapse with possible personal injury and property damage. For general guidance regarding the fabrication, storage, delivery, erection and bracing of trusses and truss systems, see

**Safety Information** available from Truss Plate Institute, 2670 Crain Highway, Suite 203 Waldorf, MD 20601  
 ANSI/TPI1 Quality Criteria, DSB-89 and BCSI Building Component



240 Stirling Crescent  
 Bradford, ON. L3Z 4L5



Job	Truss	Truss Type	Qty	Ply	Buildings A-H	U1530826
N0653A	A8	Common	2	1		

Alliance Truss (CA), Abbotsford, BC - V2S 7P6, 8.820 s Aug 30 2024 MiTek Industries, Inc. Thu Sep 12 02:48:02 2024 Page 1  
 ID:hFyjDMxrTsEK\_kgkR0vWWVzFfgc-GxvS3S0kxiJ2Z6XpM2vHqFrpmEhaxVWym2tB7yeVrB



**PRMU20240285 - BLDG B**

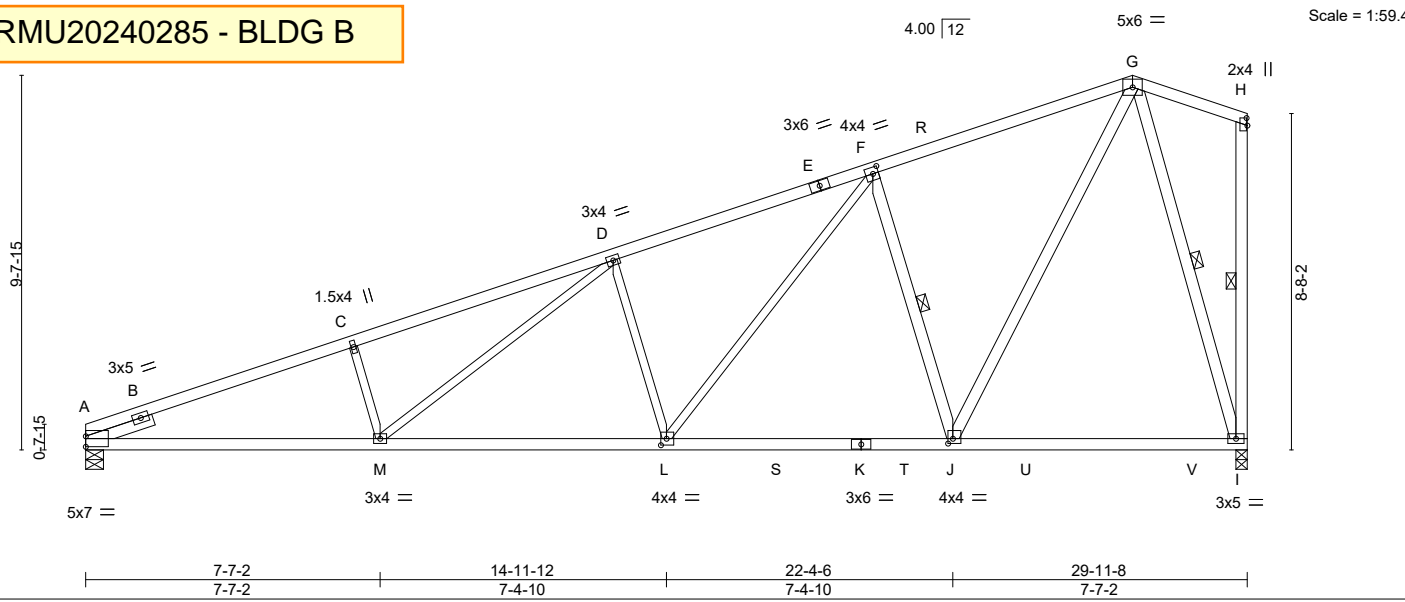


Plate Offsets (X,Y)-- [A:0-0-0,0-3-4], [F:0-1-12,0-2-0], [H:0-2-5,0-0-4], [J:0-1-8,0-1-8], [L:0-1-12,0-2-0]

LOADING (psf)	SPACING-	CSI.	DEFL.	PLATES	GRIP
TCLL 25.0 (Roof Snow=25.0)	2-0-0 Plate Grip DOL 1.15 Lumber DOL 1.15	TC 0.71 BC 0.76 WB 0.63 Matrix-MS	in (loc) l/defl L/d Vert(LL) -0.21 L-M >999 360 Vert(CT) -0.39 L-M >914 240 Horz(CT) 0.07 I n/a n/a Wind(LL) 0.10 L-M >999 240	MT20	197/144
TCDL 12.0	Rep Stress Incr YES			Weight: 131 lb	FT = 20%
BCLL 0.0 *	Code IBC2018/TPI2014				
BCDL 10.0					

LUMBER-	BRACING-
TOP CHORD 2x4 SPF No.2 *Except* A-E: 2x4 SPF 2100F 1.8E	TOP CHORD Structural wood sheathing directly applied or 3-4-2 oc purlins, except end verticals.
BOT CHORD 2x4 SPF No.2 *Except* A-K: 2x4 SPF 2100F 1.8E	BOT CHORD Rigid ceiling directly applied or 10-0-0 oc bracing.
WEBS 2x4 SPF No.2 *Except* C-M,D-M,D-L,F-L: 2x3 SPF No.2	WEBS 1 Row at midpt F-J, H-I, G-I
SLIDER Left 2x4 SPF No.2 1-9-12	

**REACTIONS.** (size) A=0-5-8, I=0-3-8  
 Max Horz A=264(LC 9)  
 Max Uplift A=-155(LC 6), I=-170(LC 6)  
 Max Grav A=1476(LC 3), I=1532(LC 3)

**FORCES.** (lb) - Max. Comp./Max. Ten. - All forces 250 (lb) or less except when shown.  
 TOP CHORD A-C=-3225/352, C-D=-3137/378, D-F=-2323/303, F-G=-1277/209  
 BOT CHORD A-M=-412/2999, L-M=-286/2327, J-L=-143/1444, I-J=-88/422  
 WEBS C-M=-377/150, D-M=-111/766, D-L=-749/200, F-L=-149/1181, F-J=-1177/257, G-J=-193/1599, G-I=-1437/167

- NOTES-**
- 1) Wind: ASCE 7-16; Vult=115mph (3-second gust) Vasd=91mph; TCDL=4.2psf; BCDL=5.0psf; h=30ft; Ke=1.00; Cat. II; Exp B; Enclosed; MWFRS (envelope) gable end zone; cantilever left and right exposed ; end vertical left and right exposed; Lumber DOL=1.33 plate grip DOL=1.33
  - 2) TCLL: ASCE 7-16; Pf=25.0 psf (Lum DOL = 1.15 Plate DOL = 1.15); Is=1.0; Rough Cat B; Partially Exp.; Ce=1.0; Cs=1.00; Ct=1.10
  - 3) Unbalanced snow loads have been considered for this design.
  - 4) This truss has been designed for a 10.0 psf bottom chord live load nonconcurrent with any other live loads.
  - 5) \* This truss has been designed for a live load of 20.0psf on the bottom chord in all areas where a rectangle 3-6-0 tall by 2-0-0 wide will fit between the bottom chord and any other members, with BCDL = 10.0psf.
  - 6) Provide mechanical connection (by others) of truss to bearing plate capable of withstanding 155 lb uplift at joint A and 170 lb uplift at joint I.
  - 7) This truss is designed in accordance with the 2018 International Building Code section 2306.1 and referenced standard ANSI/TPI 1.



September 12, 2024

Job N0653A	Truss A9	Truss Type Common	Qty 6	Ply 1	Buildings A-H Job Reference (optional)	U1530827
---------------	-------------	----------------------	----------	----------	---	----------

Alliance Truss (CA), Abbotsford, BC - V2S 7P6,

8.820 s Aug 30 2024 MiTek Industries, Inc. Thu Sep 12 02:48:03 2024 Page 1

ID:hFyjDMxrTsEK\_kgkR0vWVWzFlgc-k7TqHo1Mi0SvBG6?wmQWNSO\_Xe1qgyn6bic9jZyeVrA



**PRMU20240285 - BLDG B**

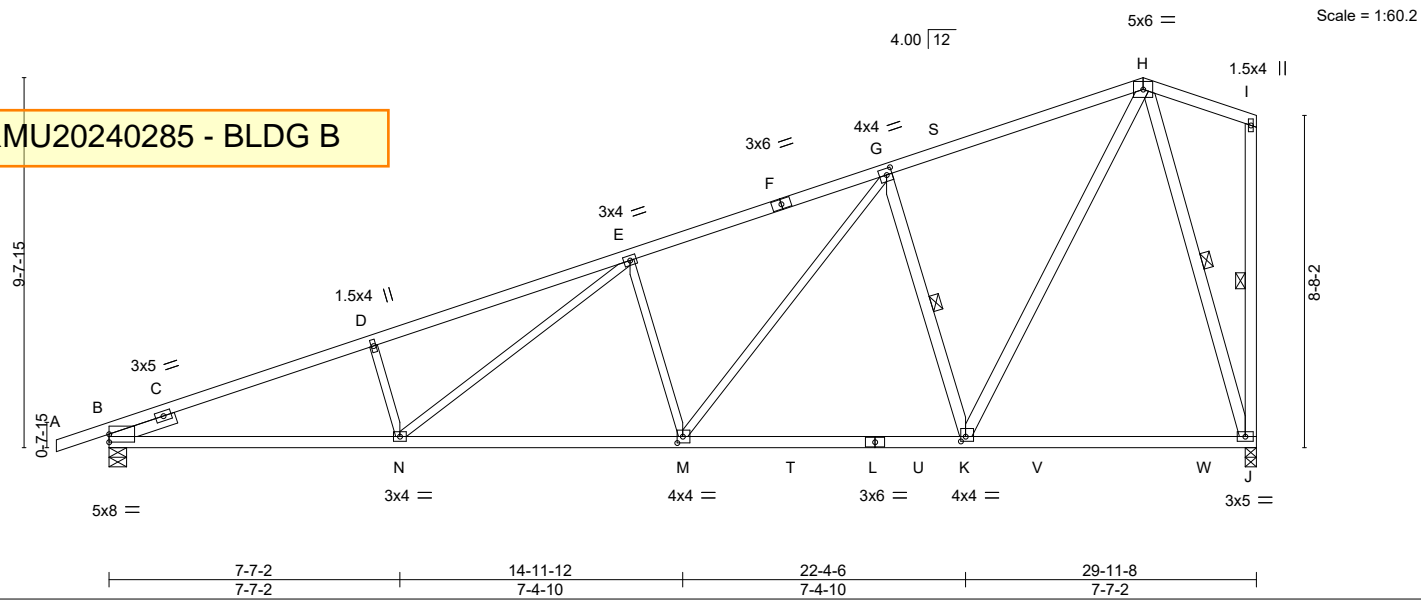


Plate Offsets (X,Y)-- [G:0-1-12,0-2-0], [K:0-1-8,0-1-8], [M:0-1-12,0-2-0]

<b>LOADING</b> (psf)	<b>SPACING-</b>	2-0-0	<b>CSI.</b>	<b>DEFL.</b>	in (loc)	l/defl	L/d	<b>PLATES</b>	<b>GRIP</b>	
TCLL 25.0 (Roof Snow=25.0)	Plate Grip DOL	1.15	TC 0.71	Vert(LL)	-0.21	M-N	>999	360	MT20	197/144
TCDL 12.0	Lumber DOL	1.15	BC 0.76	Vert(CT)	-0.40	M-N	>900	240		
BCLL 0.0 *	Rep Stress Incr	YES	WB 0.63	Horz(CT)	0.07	J	n/a	n/a		
BCDL 10.0	Code IBC2018/TPI2014		Matrix-MS	Wind(LL)	0.10	M-N	>999	240	Weight: 133 lb	FT = 20%

<b>LUMBER-</b>	<b>BRACING-</b>
TOP CHORD 2x4 SPF No.2 *Except* A-F: 2x4 SPF 2100F 1.8E	TOP CHORD Structural wood sheathing directly applied or 3-4-2 oc purlins, except end verticals.
BOT CHORD 2x4 SPF No.2 *Except* B-L: 2x4 SPF 2100F 1.8E	BOT CHORD Rigid ceiling directly applied or 10-0-0 oc bracing.
WEBS 2x4 SPF No.2 *Except* D-N,E-N,E-M,G-M: 2x3 SPF No.2	WEBS 1 Row at midpt G-K, I-J, H-J
SLIDER Left 2x4 SPF No.2 1-9-12	

**REACTIONS.** (size) B=0-5-8, J=0-3-8  
 Max Horz B=271(LC 6)  
 Max Uplift B=-181(LC 6), J=-188(LC 6)  
 Max Grav B=1563(LC 3), J=1531(LC 3)

**FORCES.** (lb) - Max. Comp./Max. Ten. - All forces 250 (lb) or less except when shown.  
 TOP CHORD B-D=-3205/292, D-E=-3116/318, E-G=-2318/245, G-H=-1275/149  
 BOT CHORD B-N=-486/2978, M-N=-361/2321, K-M=-216/1442, J-K=-63/422  
 WEBS D-N=-369/150, E-N=-111/749, E-M=-744/200, G-M=-151/1177, G-K=-1174/258,  
 H-K=-186/1596, H-J=-1434/223

- NOTES-**
- 1) Wind: ASCE 7-16; Vult=115mph (3-second gust) Vasd=91mph; TCDL=4.2psf; BCDL=5.0psf; h=30ft; Ke=1.00; Cat. II; Exp B; Enclosed; MWFRS (envelope) gable end zone; cantilever left exposed ; end vertical left exposed; Lumber DOL=1.33 plate grip DOL=1.33
  - 2) TCLL: ASCE 7-16; Pf=25.0 psf (Lum DOL = 1.15 Plate DOL = 1.15); Is=1.0; Rough Cat B; Partially Exp.; Ce=1.0; Cs=1.00; Ct=1.10
  - 3) Unbalanced snow loads have been considered for this design.
  - 4) This truss has been designed for greater of min roof live load of 20.0 psf or 2.00 times flat roof load of 25.0 psf on overhangs non-concurrent with other live loads.
  - 5) This truss has been designed for a 10.0 psf bottom chord live load nonconcurrent with any other live loads.
  - 6) \* This truss has been designed for a live load of 20.0psf on the bottom chord in all areas where a rectangle 3-6-0 tall by 2-0-0 wide will fit between the bottom chord and any other members, with BCDL = 10.0psf.
  - 7) Provide mechanical connection (by others) of truss to bearing plate capable of withstanding 181 lb uplift at joint B and 188 lb uplift at joint J.
  - 8) This truss is designed in accordance with the 2018 International Building Code section 2306.1 and referenced standard ANSI/TPI 1.



September 12, 2024

**WARNING - Verify design parameters and READ NOTES ON THIS AND INCLUDED MITEK REFERENCE PAGE MII-7473 rev. 6/30/2020 BEFORE USE.**  
 Design valid for use only with MiTek® connectors. This design is based only upon parameters shown, and is for an individual building component, not a truss system. Before use, the building designer must verify the applicability of design parameters and properly incorporate this design into the overall building design. Bracing indicated is to prevent buckling of individual truss web and/or chord members only. Additional temporary and permanent bracing is always required for stability and to prevent collapse with possible personal injury and property damage. For general guidance regarding the fabrication, storage, delivery, erection and bracing of trusses and truss systems, see **ANSI/TPI1 Quality Criteria, DSB-89 and BCSI Building Component Safety Information** available from Truss Plate Institute, 2670 Crain Highway, Suite 203 Waldorf, MD 20601



Job N0653A	Truss A10	Truss Type GABLE	Qty 2	Ply 1	Buildings A-H Job Reference (optional)	U1530828
---------------	--------------	---------------------	----------	----------	---	----------

Alliance Truss (CA), Abbotsford, BC - V2S 7P6,

8.820 s Aug 30 2024 MiTek Industries, Inc. Thu Sep 12 02:47:47 2024 Page 1  
ID:hFyjDMxrTsEK\_kgkR0vWWWvzF1gc-C2VnwKqKT5RAGpuw\_P7mj4jBPBc3wjtlvDki9UyeVrQ



**PRMU20240285 - BLDG B**

4.00 | 12" 5x6 = Scale = 1:60.5

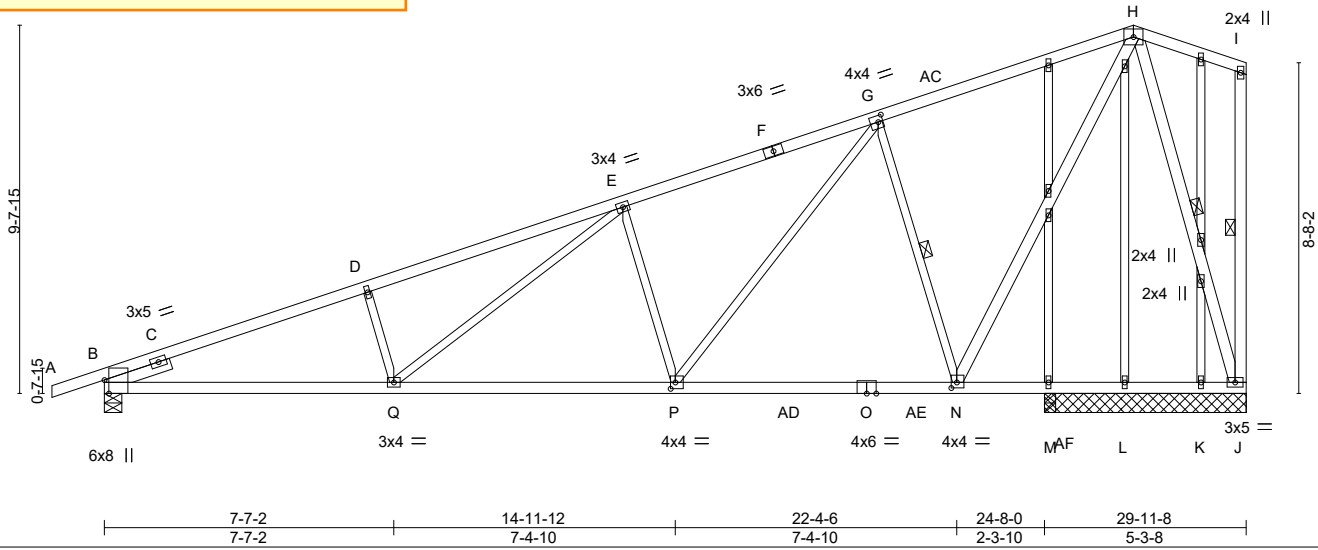


Plate Offsets (X,Y)-- [B:0-4-4,Edge], [G:0-1-8,0-2-0], [N:0-1-12,0-1-12], [P:0-1-8,0-2-0]

<b>LOADING</b> (psf)	<b>SPACING-</b>	<b>CSI.</b>	<b>DEFL.</b>	<b>PLATES</b>	<b>GRIP</b>
TCLL 25.0 (Roof Snow=25.0)	2-0-0 Plate Grip DOL 1.15 Lumber DOL 1.15	TC 0.97 BC 0.63 WB 0.63 Matrix-MS	in (loc) l/defl L/d Vert(LL) -0.22 N-P >999 360 Vert(CT) -0.40 P-Q >751 240 Horz(CT) 0.06 J n/a n/a Wind(LL) 0.11 P-Q >999 240	MT20	197/144
TCDL 12.0	Rep Stress Incr YES			Weight: 151 lb	FT = 20%
BCLL 0.0 *	Code IBC2018/TPI2014				
BCDL 10.0					

<b>LUMBER-</b>	<b>BRACING-</b>
TOP CHORD 2x4 SPF No.2	TOP CHORD Structural wood sheathing directly applied, except end verticals.
BOT CHORD 2x4 SPF No.2 *Except*	BOT CHORD Rigid ceiling directly applied or 10-0-0 oc bracing.
B-O: 2x4 SPF 2100F 1.8E	WEBS 1 Row at midpt G-N, I-J, H-J
WEBS 2x3 SPF No.2 *Except*	
H-N, I-J, H-J: 2x4 SPF No.2	
OTHERS 2x3 SPF No.2	
SLIDER Left 2x4 SPF No.2 1-9-12	

**REACTIONS.** All bearings 5-3-8 except (jt=length) B=0-5-8, M=0-3-8, M=0-3-8.  
(lb) - Max Horz B=272(LC 9)  
Max Uplift All uplift 100 lb or less at joint(s) K, M except B=198(LC 6), J=183(LC 7), L=145(LC 17)  
Max Grav All reactions 250 lb or less at joint(s) L, K except B=1513(LC 3), J=1198(LC 2), M=309(LC 3), M=291(LC 1)

**FORCES.** (lb) - Max. Comp./Max. Ten. - All forces 250 (lb) or less except when shown.  
TOP CHORD B-D=-3068/336, D-E=-2980/361, E-G=-2183/293, G-H=-1099/201  
BOT CHORD B-Q=-401/2851, P-Q=-278/2193, N-P=-147/1283, M-N=-94/364, L-M=-94/364, K-L=-94/364, J-K=-94/364  
WEBS D-Q=-381/149, E-Q=-107/747, E-P=-740/199, G-P=-148/1228, G-N=-1196/257, H-N=-184/1349, H-J=-1272/163

- NOTES-**
- 1) Wind: ASCE 7-16; Vult=115mph (3-second gust) Vasd=91mph; TCDL=4.2psf; BCDL=5.0psf; h=30ft; Ke=1.00; Cat. II; Exp B; Enclosed; MWFRS (envelope) gable end zone; cantilever left and right exposed; end vertical left and right exposed; Lumber DOL=1.33 plate grip DOL=1.33
  - 2) Truss designed for wind loads in the plane of the truss only. For studs exposed to wind (normal to the face), see Standard Industry Gable End Details as applicable, or consult qualified building designer as per ANSI/TPI 1.
  - 3) TCLL: ASCE 7-16; Pf=25.0 psf (Lum DOL = 1.15 Plate DOL = 1.15); Is=1.0; Rough Cat B; Partially Exp.; Ce=1.0; Cs=1.00; Ct=1.10
  - 4) Unbalanced snow loads have been considered for this design.
  - 5) This truss has been designed for greater of min roof live load of 20.0 psf or 2.00 times flat roof load of 25.0 psf on overhangs non-concurrent with other live loads.
  - 6) All plates are 1.5x4 MT20 unless otherwise indicated.
  - 7) Gable studs spaced at 2-0-0 oc.
  - 8) This truss has been designed for a 10.0 psf bottom chord live load nonconcurrent with any other live loads.
  - 9) \* This truss has been designed for a live load of 20.0psf on the bottom chord in all areas where a rectangle 3-6-0 tall by 2-0-0 wide will fit between the bottom chord and any other members, with BCDL = 10.0psf.
  - 10) Provide mechanical connection (by others) of truss to bearing plate capable of withstanding 100 lb uplift at joint(s) K, M except (jt=lb) B=198, J=183, L=145.
  - 11) This truss is designed in accordance with the 2018 International Building Code section 2306.1 and referenced standard ANSI/TPI 1.



September 12, 2024

**WARNING - Verify design parameters and READ NOTES ON THIS AND INCLUDED MITEK REFERENCE PAGE MII-7473 rev. 6/30/2020 BEFORE USE.**  
Design valid for use only with MiTek® connectors. This design is based only upon parameters shown, and is for an individual building component, not a truss system. Before use, the building designer must verify the applicability of design parameters and properly incorporate this design into the overall building design. Bracing indicated is to prevent buckling of individual truss web and/or chord members only. Additional temporary and permanent bracing is always required for stability and to prevent collapse with possible personal injury and property damage. For general guidance regarding the fabrication, storage, delivery, erection and bracing of trusses and truss systems, see **ANSI/TPI1 Quality Criteria, DSB-89 and BCSI Building Component Safety Information** available from Truss Plate Institute, 2670 Crain Highway, Suite 203 Waldorf, MD 20601

240 Stirling Crescent  
Bradford, ON. L3Z 4L5



Job	Truss	Truss Type	Qty	Ply	Buildings A-H	U1530829
N0653A	A11	GABLE	2	1		

Alliance Truss (CA), Abbotsford, BC - V2S 7P6, 8.820 s Aug 30 2024 MiTek Industries, Inc. Thu Sep 12 02:47:48 2024 Page 1  
 ID:hFyjDMxrTsEK\_kgkR0vWWWzFlgc-gF397gryEPZ1uzT7Y6f?GIGQmbr9f89u8tUshyevrP  
 1-4-8 | 6-4-9 | 12-6-10 | 18-8-11 | 24-10-12 | 27-0-0 | 29-9-12  
 1-4-8 | 6-4-9 | 6-2-1 | 6-2-1 | 6-2-1 | 2-1-4 | 2-9-12

**PRMU20240285 - BLDG B**

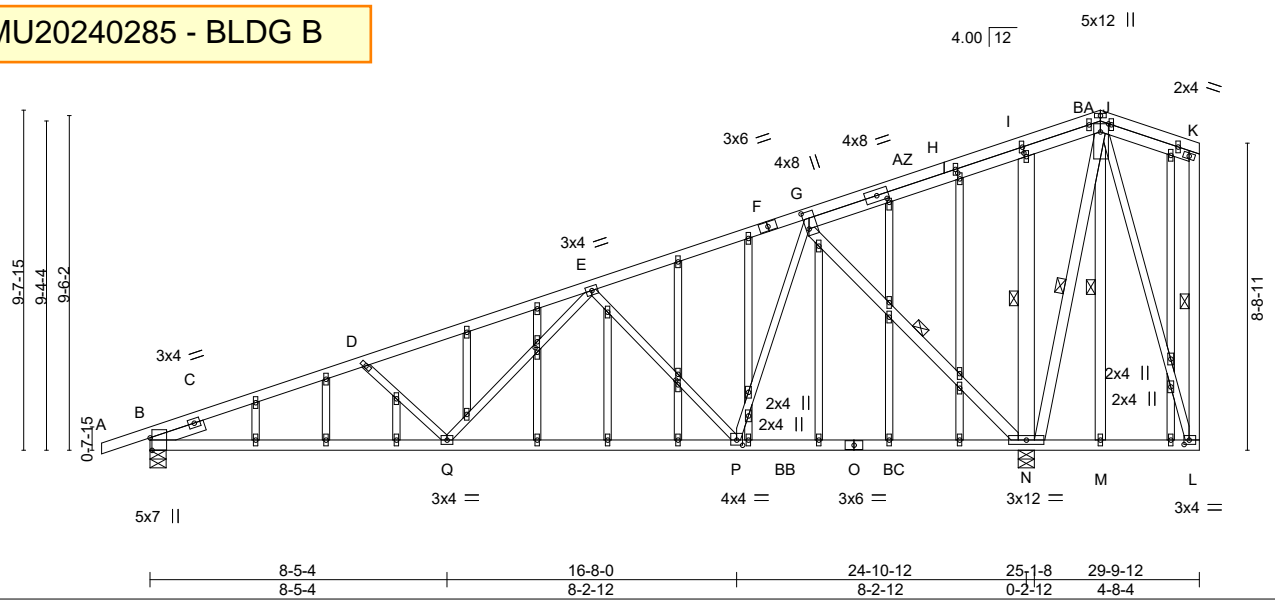


Plate Offsets (X,Y)-- [B:0-4-4,Edge], [G:0-5-12,0-1-0], [I:0-2-0,0-0-8], [J:0-2-12,Edge], [L:0-1-12,0-1-8], [P:0-2-0,0-1-12], [R:0-2-0,0-0-11], [U:0-1-6,0-0-12], [AE:0-1-10,0-0-12], [AH:0-1-10,0-0-12]

<b>LOADING</b> (psf)	<b>SPACING-</b>	<b>CSI.</b>	<b>DEFL.</b>	<b>PLATES</b>	<b>GRIP</b>
TCLL 25.0 (Roof Snow=25.0)	2-0-0	TC 0.74	in (loc) l/defl L/d	MT20	197/144
TCDL 12.0	Plate Grip DOL 1.15	BC 0.96	Vert(LL) -0.16 P-Q >999 360		
BCLL 0.0 *	Lumber DOL 1.15	WB 0.75	Vert(CT) -0.31 P-Q >949 240		
BCDL 10.0	Rep Stress Incr YES	Matrix-MS	Horz(CT) 0.06 N n/a n/a		
	Code IBC2018/TPI2014		Wind(LL) 0.08 P-Q >999 240	Weight: 208 lb	FT = 20%

<b>LUMBER-</b>	<b>BRACING-</b>
TOP CHORD 2x4 SPF No.2	TOP CHORD Structural wood sheathing directly applied or 2-5-1 oc purlins, except end verticals.
BOT CHORD 2x4 SPF No.2	BOT CHORD Rigid ceiling directly applied or 2-2-0 oc bracing.
WEBS 2x3 SPF No.2 *Except*	WEBS 1 Row at midpt G-N, I-N, J-N, K-L, J-M
OTHERS G-N,J-N,K-L: 2x4 SPF No.2, I-N: 2x6 SPF No.2	
SLIDER Left 2x4 SPF No.2 1-7-4	

**REACTIONS.** (size) B=0-5-8, N=0-5-8  
 Max Horz B=265(LC 9)  
 Max Uplift B=-168(LC 6), N=-203(LC 6)  
 Max Grav B=1263(LC 3), N=1742(LC 3)

**FORCES.** (lb) - Max. Comp./Max. Ten. - All forces 250 (lb) or less except when shown.  
 TOP CHORD B-D=-2427/278, D-E=-2187/227, E-G=-1200/154  
 BOT CHORD B-Q=-347/2252, P-Q=-223/1591, N-P=-84/804  
 WEBS D-Q=-396/149, E-Q=-26/641, E-P=-793/183, G-P=-55/941, G-N=-1251/212, I-N=-475/123, J-N=-360/115

- NOTES-**
- 1) Wind: ASCE 7-16; Vult=115mph (3-second gust) Vasd=91mph; TCDL=4.2psf; BCDL=5.0psf; h=30ft; Ke=1.00; Cat. II; Exp B; Enclosed; MWFRS (envelope) gable end zone; cantilever left and right exposed ; end vertical left and right exposed; Lumber DOL=1.33 plate grip DOL=1.33
  - 2) Truss designed for wind loads in the plane of the truss only. For studs exposed to wind (normal to the face), see Standard Industry Gable End Details as applicable, or consult qualified building designer as per ANSI/TPI 1.
  - 3) TCLL: ASCE 7-16; Pf=25.0 psf (Lum DOL = 1.15 Plate DOL = 1.15); Is=1.0; Rough Cat B; Partially Exp.; Ce=1.0; Cs=1.00; Ct=1.10
  - 4) Unbalanced snow loads have been considered for this design.
  - 5) This truss has been designed for greater of min roof live load of 20.0 psf or 2.00 times flat roof load of 25.0 psf on overhangs non-concurrent with other live loads.
  - 6) All plates are 1.5x4 MT20 unless otherwise indicated.
  - 7) Gable studs spaced at 2-0-0 oc.
  - 8) This truss has been designed for a 10.0 psf bottom chord live load nonconcurrent with any other live loads.
  - 9) \* This truss has been designed for a live load of 20.0psf on the bottom chord in all areas where a rectangle 3-6-0 tall by 2-0-0 wide will fit between the bottom chord and any other members, with BCDL = 10.0psf.
  - 10) Provide mechanical connection (by others) of truss to bearing plate capable of withstanding 100 lb uplift at joint(s) except (jt=lb) B=168, N=203.
  - 11) This truss is designed in accordance with the 2018 International Building Code section 2306.1 and referenced standard ANSI/TPI 1.



September 12, 2024

Continued on page 2

**WARNING - Verify design parameters and READ NOTES ON THIS AND INCLUDED MITEK REFERENCE PAGE MII-7473 rev. 6/30/2020 BEFORE USE.**  
 Design valid for use only with MiTek® connectors. This design is based only upon parameters shown, and is for an individual building component, not a truss system. Before use, the building designer must verify the applicability of design parameters and properly incorporate this design into the overall building design. Bracing indicated is to prevent buckling of individual truss web and/or chord members only. Additional temporary and permanent bracing is always required for stability and to prevent collapse with possible personal injury and property damage. For general guidance regarding the fabrication, storage, delivery, erection and bracing of trusses and truss systems, see **ANSI/TPI1 Quality Criteria, DSB-89 and BCSI Building Component Safety Information** available from Truss Plate Institute, 2670 Crain Highway, Suite 203 Waldorf, MD 20601



Job	Truss	Truss Type	Qty	Ply	Buildings A-H	U1530829
N0653A	A11	GABLE	2	1	Job Reference (optional)	

Alliance Truss (CA), Abbotsford, BC - V2S 7P6,

8.820 s Aug 30 2024 MiTek Industries, Inc. Thu Sep 12 02:47:48 2024 Page 2  
 ID:hFyjDMxrTsEK\_kgkR0vWWWzF1gc-gF397gryEPZ1uzT7Y6f?GIGQmbr9f89u8tUshxyeVrP

- NOTES-**
- 12) No notches allowed in overhang and 200100 from left end and 0 from right end or 12" along rake from scarf, whichever is larger. Minimum 1.5x4 tie plates required at 2-0-0 o.c. maximum between the stacking chords. For edge-wise notching, provide at least one tie plate between each notch.

PRMU20240285 - BLDG B

**WARNING - Verify design parameters and READ NOTES ON THIS AND INCLUDED MITEK REFERENCE PAGE MII-7473 rev. 6/30/2020 BEFORE USE.**  
 Design valid for use only with MiTek® connectors. This design is based only upon parameters shown, and is for an individual building component, not a truss system. Before use, the building designer must verify the applicability of design parameters and properly incorporate this design into the overall building design. Bracing indicated is to prevent buckling of individual truss web and/or chord members only. Additional temporary and permanent bracing is always required for stability and to prevent collapse with possible personal injury and property damage. For general guidance regarding the fabrication, storage, delivery, erection and bracing of trusses and truss systems, see **ANSI/TPI1 Quality Criteria, DSB-89 and BCSI Building Component Safety Information** available from Truss Plate Institute, 2670 Crain Highway, Suite 203 Waldorf, MD 20601



Job	Truss	Truss Type	Qty	Ply	Buildings A-H	U1530830
N0653A	A12	COMMON	6	1		

Alliance Truss (CA), Abbotsford, BC - V2S 7P6,

8.820 s Aug 30 2024 MiTek Industries, Inc. Thu Sep 12 02:47:50 2024 Page 1

ID:hFyjDMxrTsEK\_kgkR0vWWVzFlgc-cdAvYMtCm0pl7GdVfXhTLjLiUOZv705BcBzypmyeVrN



**PRMU20240285 - BLDG B**

4.00 | 12 5x7 = Scale = 1:52.8

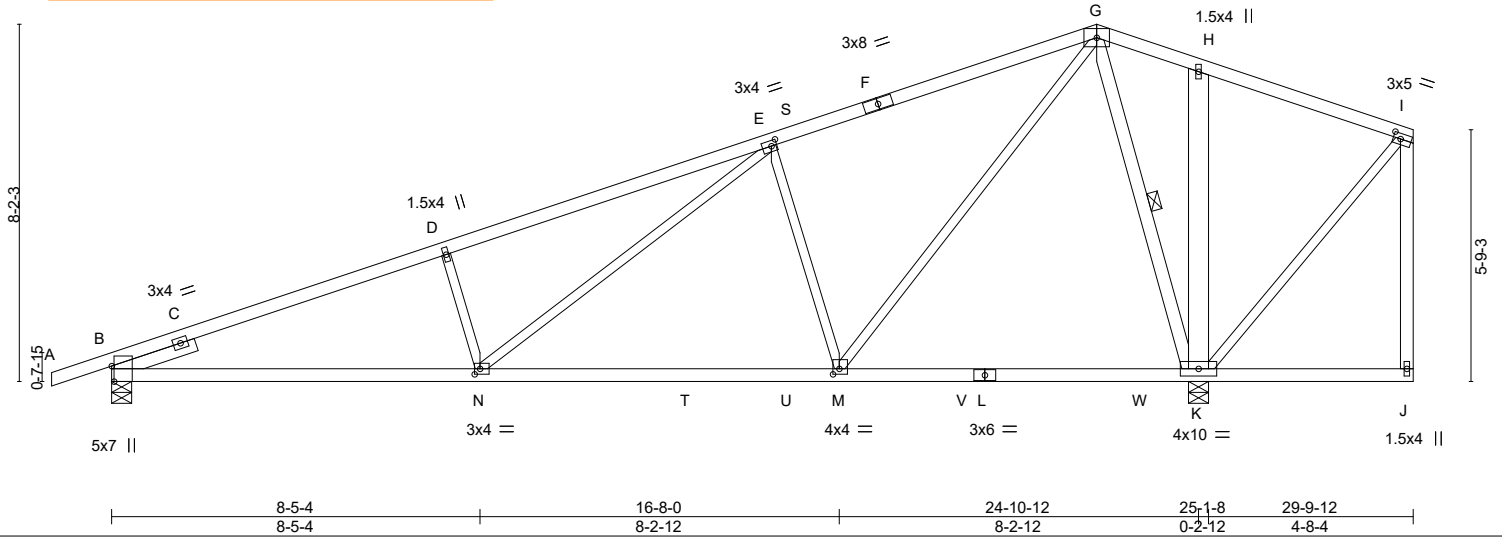


Plate Offsets (X,Y)-- [B:0-4-4,Edge], [E:0-1-8,0-1-8], [I:0-2-0,0-1-8], [M:0-1-12,0-1-8], [N:0-1-8,0-1-8]

LOADING (psf)	SPACING-	CSI.	DEFL.	PLATES	GRIP
TCLL 25.0 (Roof Snow=25.0)	2-0-0 Plate Grip DOL 1.15	TC 0.98	in (loc) l/defl L/d	MT20	197/144
TCDL 12.0	Lumber DOL 1.15	BC 0.88	Vert(LL) -0.20 M-N >999 360		
BCLL 0.0 *	Rep Stress Incr YES	WB 0.79	Vert(CT) -0.36 M-N >826 240		
BCDL 10.0	Code IBC2018/TPI2014	Matrix-MS	Horz(CT) 0.05 K n/a n/a		
			Wind(LL) 0.07 M-N >999 240	Weight: 128 lb	FT = 20%

LUMBER-	BRACING-
TOP CHORD 2x4 SPF No.2	TOP CHORD Structural wood sheathing directly applied, except end verticals.
BOT CHORD 2x4 SPF No.2	BOT CHORD Rigid ceiling directly applied or 9-7-3 oc bracing.
WEBS 2x3 SPF No.2 *Except*	WEBS 1 Row at midpt G-K
G-K,I-J: 2x4 SPF No.2, H-K: 2x6 SPF No.2	
SLIDER Left 2x4 SPF No.2 2-0-2	

**REACTIONS.** (size) B=0-5-8, K=0-5-8  
 Max Horz B=198(LC 10)  
 Max Uplift B=-165(LC 6), K=-161(LC 6)  
 Max Grav B=1313(LC 3), K=1776(LC 2)

**FORCES.** (lb) - Max. Comp./Max. Ten. - All forces 250 (lb) or less except when shown.  
 TOP CHORD B-D=-2500/248, D-E=-2401/276, E-G=-1381/184, H-I=-9/265  
 BOT CHORD B-N=-372/2316, M-N=-223/1462, K-M=-47/295  
 WEBS D-N=-461/168, E-N=-132/1007, E-M=-1008/241, G-M=-183/1541, G-K=-1296/184,  
 H-K=-480/108, I-K=-269/41

- NOTES-**
- 1) Wind: ASCE 7-16; Vult=115mph (3-second gust) Vasd=91mph; TCDL=4.2psf; BCDL=5.0psf; h=30ft; Ke=1.00; Cat. II; Exp B; Enclosed; MWFRS (envelope) gable end zone; cantilever left exposed ; end vertical left exposed; Lumber DOL=1.33 plate grip DOL=1.33
  - 2) TCLL: ASCE 7-16; Pf=25.0 psf (Lum DOL = 1.15 Plate DOL = 1.15); Is=1.0; Rough Cat B; Partially Exp.; Ce=1.0; Cs=1.00; Ct=1.10
  - 3) Unbalanced snow loads have been considered for this design.
  - 4) This truss has been designed for greater of min roof live load of 20.0 psf or 2.00 times flat roof load of 25.0 psf on overhangs non-concurrent with other live loads.
  - 5) This truss has been designed for a 10.0 psf bottom chord live load nonconcurrent with any other live loads.
  - 6) \* This truss has been designed for a live load of 20.0psf on the bottom chord in all areas where a rectangle 3-6-0 tall by 2-0-0 wide will fit between the bottom chord and any other members, with BCDL = 10.0psf.
  - 7) Provide mechanical connection (by others) of truss to bearing plate capable of withstanding 100 lb uplift at joint(s) except (jt=lb) B=165, K=161.
  - 8) This truss is designed in accordance with the 2018 International Building Code section 2306.1 and referenced standard ANSI/TPI 1.



September 12, 2024

Job	Truss	Truss Type	Qty	Ply	Buildings A-H	U1530831
N0653A	A13	GABLE	2	1		

Alliance Truss (CA), Abbotsford, BC - V2S 7P6, 8.820 s Aug 30 2024 MiTek Industries, Inc. Thu Sep 12 02:47:50 2024 Page 1  
 ID:hFyjDMxrTsEK\_kgkR0vWWVzFlgc-cdAvYMiCmOpI7GdVfXhTLjLq9Okv7AHBcBzypmpeVrN  
 7-7-15 15-1-5 22-6-12 25-1-8  
 7-7-15 7-5-7 7-5-7 2-6-12

**PRMU20240285 - BLDG B**

4.00' | 12 4x6 = Scale = 1:51.3

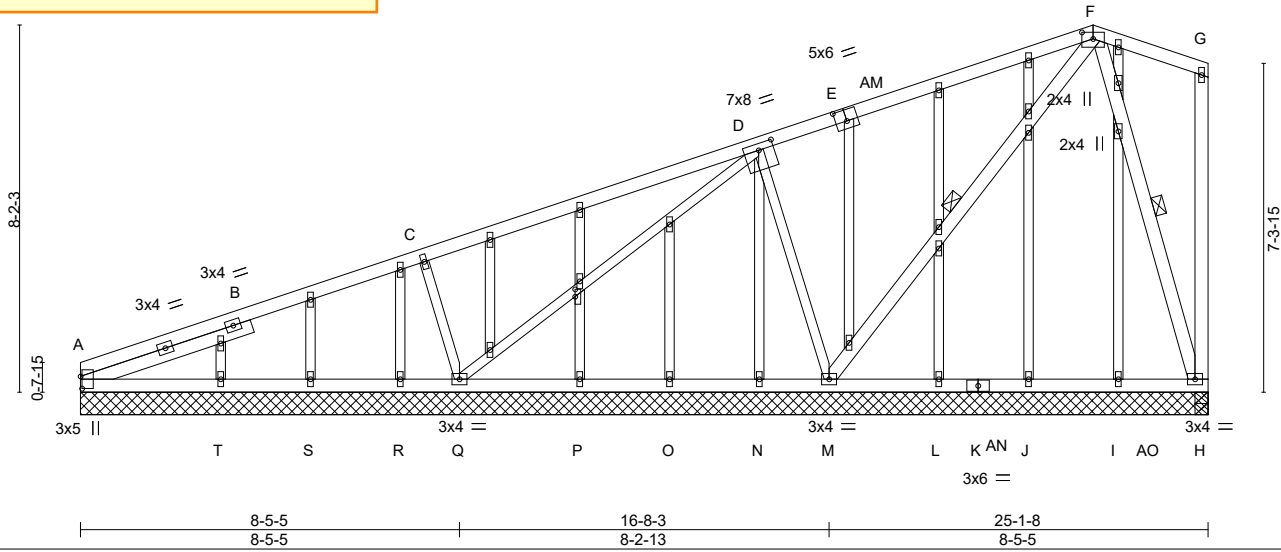


Plate Offsets (X,Y)-- [A:0-3-4,0-0-7], [D:0-4-0,0-1-12], [E:0-3-0,0-3-0], [F:0-3-0,0-1-12], [AF:0-1-15,0-0-0]

LOADING (psf)	SPACING-	CSI.	DEFL.	in (loc)	l/defl	L/d	PLATES	GRIP
TCLL 25.0 (Roof Snow=25.0)	1-0-0 Plate Grip DOL 1.15	TC 0.49	Vert(LL)	-0.00	A-T	>999	MT20	197/144
TCDL 12.0	Lumber DOL 1.15	BC 0.18	Vert(CT)	-0.01	A-T	>999		
BCLL 0.0 *	Rep Stress Incr NO	WB 0.14	Horz(CT)	0.00	H	n/a		
BCDL 10.0	Code IBC2018/TPI2014	Matrix-S	Wind(LL)	0.00	A-T	>999	Weight: 142 lb	FT = 20%

**LUMBER-**

TOP CHORD 2x4 SPF No.2  
 BOT CHORD 2x4 SPF No.2  
 WEBS 2x4 SPF No.2 \*Except\*  
 C-Q,D-Q,D-M: 2x3 SPF No.2  
 OTHERS 2x3 SPF No.2  
 SLIDER Left 2x4 SPF No.2 4-0-1

**BRACING-**

TOP CHORD Structural wood sheathing directly applied or 6-0-0 oc purlins, except end verticals.  
 BOT CHORD Rigid ceiling directly applied or 10-0-0 oc bracing.  
 WEBS 1 Row at midpt F-M, F-H

**REACTIONS.**

All bearings 25-1-8.  
 (lb) - Max Horz A=112(LC 10)  
 Max Uplift All uplift 100 lb or less at joint(s) A, Q, M, H, N  
 Max Grav All reactions 250 lb or less at joint(s) A, Q, M, H, H, I, J, L, N, O, P, R, S, T

**FORCES.** (lb) - Max. Comp./Max. Ten. - All forces 250 (lb) or less except when shown.

TOP CHORD A-C=-256/19  
 WEBS C-Q=-264/93

**NOTES-**

- 1) Wind: ASCE 7-16; Vult=115mph (3-second gust) Vasd=91mph; TCDL=4.2psf; BCDL=5.0psf; h=30ft; Ke=1.00; Cat. II; Exp B; Enclosed; MWFRS (envelope) gable end zone; cantilever left exposed ; end vertical left exposed; Lumber DOL=1.33 plate grip DOL=1.33
- 2) Truss designed for wind loads in the plane of the truss only. For studs exposed to wind (normal to the face), see Standard Industry Gable End Details as applicable, or consult qualified building designer as per ANSI/TPI 1.
- 3) TCLL: ASCE 7-16; Pf=25.0 psf (Lum DOL = 1.15 Plate DOL = 1.15); Is=1.0; Rough Cat B; Partially Exp.; Ce=1.0; Cs=1.00; Ct=1.10
- 4) Unbalanced snow loads have been considered for this design.
- 5) All plates are 1.5x4 MT20 unless otherwise indicated.
- 6) Gable studs spaced at 2-0-0 oc.
- 7) This truss has been designed for a 10.0 psf bottom chord live load nonconcurrent with any other live loads.
- 8) \* This truss has been designed for a live load of 20.0psf on the bottom chord in all areas where a rectangle 3-6-0 tall by 2-0-0 wide will fit between the bottom chord and any other members, with BCDL = 10.0psf.
- 9) Provide mechanical connection (by others) of truss to bearing plate capable of withstanding 100 lb uplift at joint(s) A, Q, M, H, N.
- 10) This truss is designed in accordance with the 2018 International Building Code section 2306.1 and referenced standard ANSI/TPI 1.



September 12, 2024

**WARNING - Verify design parameters and READ NOTES ON THIS AND INCLUDED MITEK REFERENCE PAGE MII-7473 rev. 6/30/2020 BEFORE USE.**

Design valid for use only with MiTek® connectors. This design is based only upon parameters shown, and is for an individual building component, not a truss system. Before use, the building designer must verify the applicability of design parameters and properly incorporate this design into the overall building design. Bracing indicated is to prevent buckling of individual truss web and/or chord members only. Additional temporary and permanent bracing is always required for stability and to prevent collapse with possible personal injury and property damage. For general guidance regarding the fabrication, storage, delivery, erection and bracing of trusses and truss systems, see

**Safety Information** available from Truss Plate Institute, 2670 Crain Highway, Suite 203 Waldorf, MD 20601  
 ANSI/TPI1 Quality Criteria, DSB-89 and BCSI Building Component



240 Stirling Crescent  
 Bradford, ON. L3Z 4L5



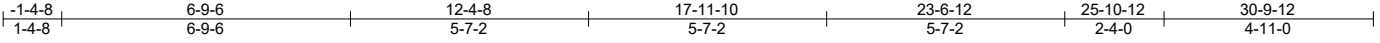
Job	Truss	Truss Type	Qty	Ply	Buildings A-H	U1530833
N0653A	A15	Roof Special	6	1		

Job Reference (optional)

Alliance Truss (CA), Abbotsford, BC - V2S 7P6,

8.820 s Aug 30 2024 MiTek Industries, Inc. Thu Sep 12 02:47:52 2024 Page 1

ID:hFyjDMxrTsEK\_kgkR0vWWVzFlgc-Y0lgz1uSld3TNamunyxQ8R23CGdbutU3US3qiyeVrL



**PRMU20240285 - BLDG B**

Scale = 1:54.1

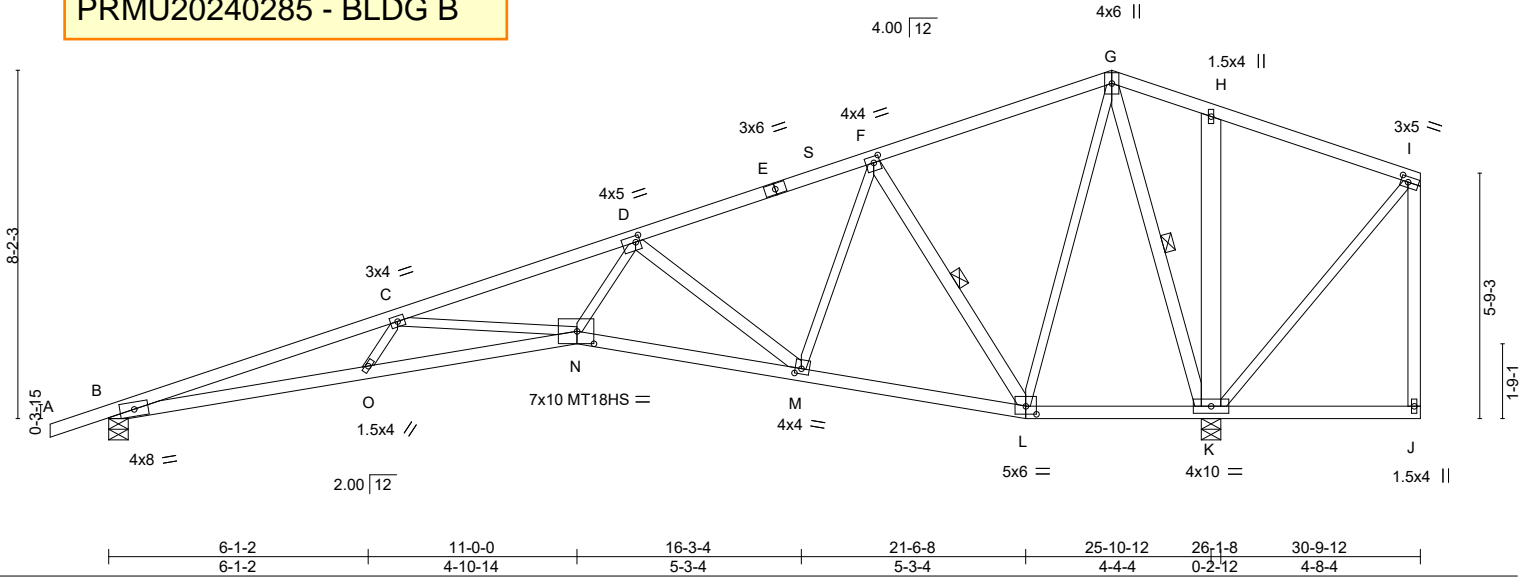


Plate Offsets (X,Y)-- [D:0-1-4,0-1-12], [F:0-1-12,0-1-12], [I:0-2-0,0-1-8], [L:0-3-0,0-2-4], [M:0-1-12,0-1-8], [N:0-4-12,0-3-8]

LOADING (psf)	SPACING-	CSI.	DEFL.	PLATES	GRIP
TCLL 25.0 (Roof Snow=25.0)	2-0-0 Plate Grip DOL 1.15 Lumber DOL 1.15	TC 0.98 BC 0.80 WB 0.90 Matrix-MS	in (loc) l/defl L/d Vert(LL) -0.41 N-O >752 360 Vert(CT) -0.75 N-O >417 240 Horz(CT) 0.30 K n/a n/a Wind(LL) 0.23 N-O >999 240	MT20 MT18HS Weight: 138 lb	197/144 197/144 FT = 20%
TCDL 12.0	Code IBC2018/TPI2014				
BCLL 0.0 *	Rep Stress Incr YES				
BCDL 10.0					

LUMBER-	BRACING-
TOP CHORD 2x4 SPF No.2	TOP CHORD Structural wood sheathing directly applied, except end verticals.
BOT CHORD 2x4 SPF No.2 *Except*	BOT CHORD Rigid ceiling directly applied or 9-2-5 oc bracing.
B-N: 2x4 SPF 2100F 1.8E	WEBS 1 Row at midpt F-L, G-K
WEBS 2x3 SPF No.2 *Except*	
D-M,F-L,G-K,I-J: 2x4 SPF No.2, H-K: 2x6 SPF No.2	

**REACTIONS.** (size) B=0-5-8, K=0-5-8  
 Max Horz B=166(LC 9)  
 Max Uplift B=-182(LC 6), K=-200(LC 7)  
 Max Grav B=1339(LC 17), K=1704(LC 1)

**FORCES.** (lb) - Max. Comp./Max. Ten. - All forces 250 (lb) or less except when shown.  
 TOP CHORD B-C=-5336/630, C-D=-4305/511, D-F=-1825/226, F-G=-720/138, H-I=-54/272  
 BOT CHORD B-O=-679/5068, N-O=-716/5048, M-N=-412/3163, L-M=-144/1361, K-L=-25/299  
 WEBS C-N=-971/206, D-N=-192/1829, D-M=-1881/304, F-M=-97/1089, F-L=-1465/228,  
 G-L=-134/1151, G-K=-1320/143, H-K=-503/117, I-K=-280/56

- NOTES-**
- 1) Wind: ASCE 7-16; Vult=115mph (3-second gust) Vasd=91mph; TCDL=4.2psf; BCDL=5.0psf; h=30ft; Ke=1.00; Cat. II; Exp B; Enclosed; MWFRS (envelope) gable end zone; cantilever left and right exposed ; end vertical left and right exposed; Lumber DOL=1.33 plate grip DOL=1.33
  - 2) TCLL: ASCE 7-16; Pf=25.0 psf (Lum DOL = 1.15 Plate DOL = 1.15); Is=1.0; Rough Cat B; Partially Exp.; Ce=1.0; Cs=1.00; Ct=1.10
  - 3) Unbalanced snow loads have been considered for this design.
  - 4) This truss has been designed for greater of min roof live load of 20.0 psf or 2.00 times flat roof load of 25.0 psf on overhangs non-concurrent with other live loads.
  - 5) All plates are MT20 plates unless otherwise indicated.
  - 6) This truss has been designed for a 10.0 psf bottom chord live load nonconcurrent with any other live loads.
  - 7) \* This truss has been designed for a live load of 20.0psf on the bottom chord in all areas where a rectangle 3-6-0 tall by 2-0-0 wide will fit between the bottom chord and any other members.
  - 8) Bearing at joint(s) B considers parallel to grain value using ANSI/TPI 1 angle to grain formula. Building designer should verify capacity of bearing surface.
  - 9) Provide mechanical connection (by others) of truss to bearing plate capable of withstanding 100 lb uplift at joint(s) except (jt=lb) B=182, K=200.
  - 10) This truss is designed in accordance with the 2018 International Building Code section 2306.1 and referenced standard ANSI/TPI 1.



September 12, 2024

**WARNING - Verify design parameters and READ NOTES ON THIS AND INCLUDED MITEK REFERENCE PAGE MII-7473 rev. 6/30/2020 BEFORE USE.**

Design valid for use only with MiTek® connectors. This design is based only upon parameters shown, and is for an individual building component, not a truss system. Before use, the building designer must verify the applicability of design parameters and properly incorporate this design into the overall building design. Bracing indicated is to prevent buckling of individual truss web and/or chord members only. Additional temporary and permanent bracing is always required for stability and to prevent collapse with possible personal injury and property damage. For general guidance regarding the fabrication, storage, delivery, erection and bracing of trusses and truss systems, see

**Safety Information** available from Truss Plate Institute, 2670 Crain Highway, Suite 203 Waldorf, MD 20601

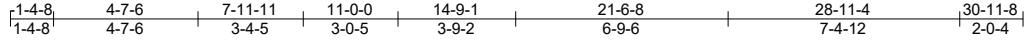
ANSI/TPI1 Quality Criteria, DSB-89 and BCSI Building Component



240 Stirling Crescent  
 Bradford, ON. L3Z 4L5

Job	Truss	Truss Type	Qty	Ply	Buildings A-H	U1530834
N0653A	A16	GABLE	2	1		

Alliance Truss (CA), Abbotsford, BC - V2S 7P6, 8.820 s Aug 30 2024 MiTek Industries, Inc. Thu Sep 12 02:47:53 2024 Page 1  
 ID:hFyjDMxrTsEK\_kgkR0vWWVzFlgc-0Cs2ANv53xBK\_kL4KfEzLzF4caXKL9d18BdN8yeVrk



**PRMU20240285 - BLDG B**

Scale = 1:73.6

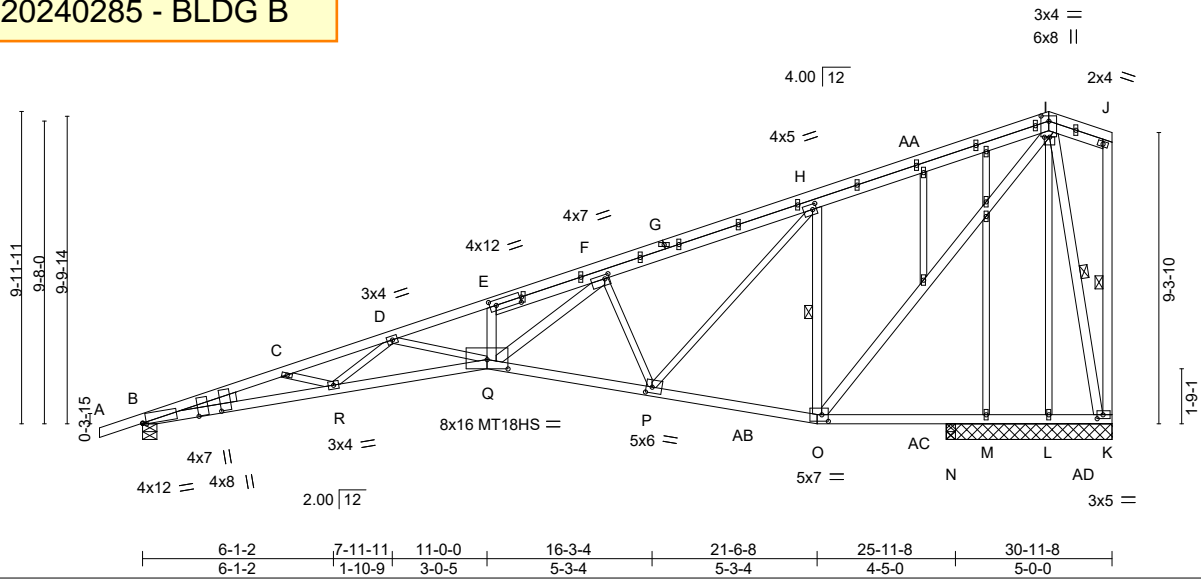


Plate Offsets (X,Y)--	[B:0-1-7,Edge], [B:0-0-14,1-9-12], [B:0-0-6,2-6-10], [E:0-2-0,0-0-1], [E:0-2-8,0-2-0], [F:0-1-12,0-1-8], [H:0-1-8,0-2-0], [I:0-2-0,0-3-0], [I:0-2-0,0-0-0], [K:0-2-4,0-1-8], [O:0-2-8,0-2-8], [P:0-2-4,0-2-4], [Q:0-8-0,0-3-9]
-----------------------	--

<b>LOADING</b> (psf)	<b>SPACING-</b>	<b>CSI.</b>	<b>DEFL.</b>	in (loc)	l/defl	L/d	<b>PLATES</b>	<b>GRIP</b>
TCLL 25.0 (Roof Snow=25.0)	2-0-0 Plate Grip DOL 1.15 Lumber DOL 1.15	TC 0.90 BC 0.95 WB 0.90	Vert(LL) -0.66 Vert(CT) -1.20 Horz(CT) 0.42 Wind(LL) 0.38	Q-R	>468 >259 n/a >817	360 240 n/a 240	MT20 MT18HS	197/144 197/144
TCDL 12.0	Rep Stress Incr YES	Matrix-MS						
BCLL 0.0 *	Code IBC2018/TPI2014							
BCDL 10.0							Weight: 181 lb	FT = 20%

<b>LUMBER-</b>	<b>BRACING-</b>
TOP CHORD 2x4 SPF No.2 *Except* A-G: 2x4 SPF 2100F 1.8E	TOP CHORD Structural wood sheathing directly applied or 1-7-8 oc purlins, except end verticals.
BOT CHORD 2x4 SPF No.2 *Except* B-Q: 2x4 SPF 2100F 1.8E	BOT CHORD Rigid ceiling directly applied or 2-2-0 oc bracing.
WEBS 2x4 SPF No.2 *Except* D-Q,F-P,H-P,D-R,C-R: 2x3 SPF No.2	WEBS 1 Row at midpt H-O, J-K, I-K
OTHERS 2x3 SPF No.2	
WEDGE Left: 2x4 SPF No.2	

**REACTIONS.** All bearings 5-3-8 except (jt=length) B=0-5-8, N=0-3-8.  
 (lb) - Max Horz B=289(LC 9)  
 Max Uplift All uplift 100 lb or less at joint(s) L, N except B=-208(LC 6), K=-185(LC 6), M=-480(LC 17)  
 Max Grav All reactions 250 lb or less at joint(s) M except B=1529(LC 3), K=1212(LC 17), L=251(LC 21), N=722(LC 3)

**FORCES.** (lb) - Max. Comp./Max. Ten. - All forces 250 (lb) or less except when shown.  
 TOP CHORD B-C=-7397/948, C-D=-7170/879, D-E=-6314/798, E-F=-6399/846, F-H=-2712/371, H-I=-1441/294  
 BOT CHORD B-R=-10277/170, Q-R=-964/6689, P-Q=-454/3260, O-P=-172/1360, N-O=-91/256, M-N=-91/256, L-M=-91/256, K-L=-91/256  
 WEBS D-Q=-605/137, F-P=-1635/303, H-P=-228/1842, H-O=-1557/324, I-O=-296/1675, I-K=-1335/206, E-Q=-357/86, D-R=0/324, C-R=-301/97, F-Q=-491/3657

- NOTES-**
- 1) Wind: ASCE 7-16; Vult=115mph (3-second gust) Vasd=91mph; TCDL=4.2psf; BCDL=5.0psf; h=30ft; Ke=1.00; Cat. II; Exp B; Enclosed; MWFRS (envelope) gable end zone; cantilever left and right exposed ; end vertical left and right exposed; Lumber DOL=1.33 plate grip DOL=1.33
  - 2) Truss designed for wind loads in the plane of the truss only. For studs exposed to wind (normal to the face), see Standard Industry Gable End Details as applicable, or consult qualified building designer as per ANSI/TPI 1.
  - 3) TCLL: ASCE 7-16; Pf=25.0 psf (Lum DOL = 1.15 Plate DOL = 1.15); Is=1.0; Rough Cat B; Partially Exp.; Ce=1.0; Cs=1.00; Ct=1.10
  - 4) Unbalanced snow loads have been considered for this design.
  - 5) This truss has been designed for greater of min roof live load of 20.0 psf or 2.00 times flat roof load of 25.0 psf on overhangs non-concurrent with other live loads.
  - 6) All plates are MT20 plates unless otherwise indicated.
  - 7) All plates are 1.5x4 MT20 unless otherwise indicated.
  - 8) Gable studs spaced at 2-0-0 oc.
  - 9) This truss has been designed for a 10.0 psf bottom chord live load nonconcurrent with any other live loads.



September 12, 2024

Job	Truss	Truss Type	Qty	Ply	Buildings A-H	U1530834
N0653A	A16	GABLE	2	1	Job Reference (optional)	

Alliance Truss (CA), Abbotsford, BC - V2S 7P6,

8.820 s Aug 30 2024 MiTek Industries, Inc. Thu Sep 12 02:47:53 2024 Page 2  
ID:hFyjDMxrTsEK\_kgkR0vWWVzF1gc-0Cs2ANv53xBK\_kL4KfEzLzF4caXKL9dl8BdN8yeVrK

**NOTES-**

- 10) \* This truss has been designed for a live load of 20.0psf on the bottom chord in all areas where a rectangle 3-6-0 tall by 2-0-0 wide will fit between the bottom chord and any other members, with BCDL = 10.0psf.
- 11) Bearing at joint(s) B considers parallel to grain value using ANSI/TPI 1 angle to grain formula. Building designer should verify capacity of bearing surface.
- 12) Provide mechanical connection (by others) of truss to bearing plate capable of withstanding 100 lb uplift at joint(s) L, N except (jt=lb) B=208, K=185, M=480.
- 13) This truss is designed in accordance with the 2018 International Building Code section 2306.1 and referenced standard ANSI/TPI 1.
- 14) No notches allowed in overhang and 120800 from left end and 0 from right end or 12" along rake from scarf, whichever is larger. Minimum 1.5x4 tie plates required at 2-0-0 o.c. maximum between the stacking chords. For edge-wise notching, provide at least one tie plate between each notch.

PRMU20240285 - BLDG B



**WARNING - Verify design parameters and READ NOTES ON THIS AND INCLUDED MITEK REFERANCE PAGE MII-7473 rev. 6/30/2020 BEFORE USE.**

Design valid for use only with MiTek® connectors. This design is based only upon parameters shown, and is for an individual building component, not a truss system. Before use, the building designer must verify the applicability of design parameters and properly incorporate this design into the overall building design. Bracing indicated is to prevent buckling of individual truss web and/or chord members only. Additional temporary and permanent bracing is always required for stability and to prevent collapse with possible personal injury and property damage. For general guidance regarding the fabrication, storage, delivery, erection and bracing of trusses and truss systems, see

**ANSI/TPI1 Quality Criteria, DSB-89 and BCSI Building Component**

**Safety Information** available from Truss Plate Institute, 2670 Crain Highway, Suite 203 Waldorf, MD 20601



240 Stirling Crescent  
Bradford, ON. L3Z 4L5



Job N0653A	Truss A17	Truss Type Roof Special	Qty 11	Ply 1	Buildings A-H Job Reference (optional)	U1530835
---------------	--------------	----------------------------	-----------	----------	---	----------

Alliance Truss (CA), Abbotsford, BC - V2S 7P6,

8.820 s Aug 30 2024 MiTek Industries, Inc. Thu Sep 12 02:47:54 2024 Page 1

ID:hFyjDMxrTsEK\_kgkR0vWWWzFfgc-VPQQOjwjgFJBcuwHuNIPVZWOi0wc3rcnWoxAvayeVrJ



**PRMU20240285 - BLDG B**

Scale = 1:62.3

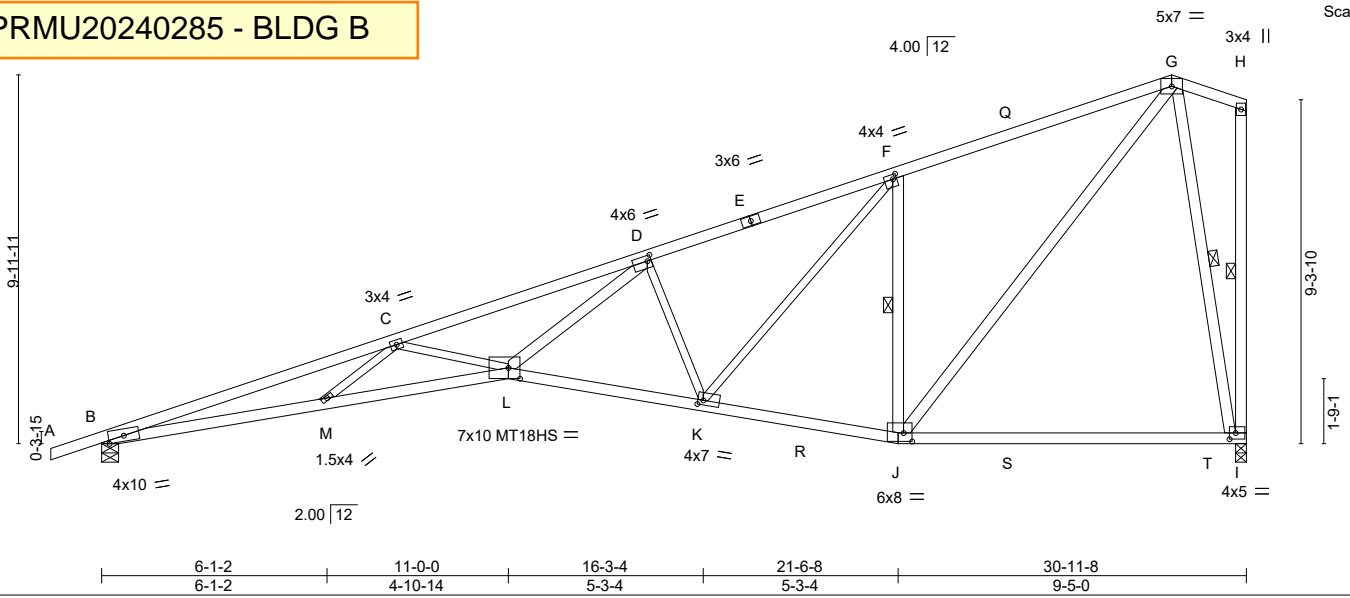


Plate Offsets (X,Y)-- [D:0-1-4,0-1-12], [F:0-1-4,0-1-8], [I:0-2-0,0-2-0], [J:0-2-12,0-2-12], [K:0-1-12,0-1-8], [L:0-3-12,0-3-8]

LOADING (psf)	SPACING-	CSI.	DEFL.	in (loc)	l/defl	L/d	PLATES	GRIP
TCLL 25.0 (Roof Snow=25.0)	2-0-0 Plate Grip DOL 1.15	TC 0.90	Vert(LL) -0.56	L-M	>663	360	MT20	197/144
TCDL 12.0	Lumber DOL 1.15	BC 0.89	Vert(CT) -1.01	L-M	>367	240	MT18HS	197/144
BCLL 0.0 *	Rep Stress Incr YES	WB 0.76	Horz(CT) 0.37	I	n/a	n/a		
BCDL 10.0	Code IBC2018/TPI2014	Matrix-MS	Wind(LL) 0.30	L	>999	240		
							Weight: 137 lb	FT = 20%

**LUMBER-**  
TOP CHORD 2x4 SPF No.2 \*Except\*  
A-E: 2x4 SPF 2100F 1.8E  
BOT CHORD 2x4 SPF 2100F 1.8E \*Except\*  
J-L: 2x4 SPF No.2  
WEBS 2x4 SPF No.2 \*Except\*  
C-M,C-L,D-K,F-K: 2x3 SPF No.2

**BRACING-**  
TOP CHORD Structural wood sheathing directly applied, except end verticals.  
BOT CHORD Rigid ceiling directly applied or 8-3-12 oc bracing.  
WEBS 1 Row at midpt F-J, H-I, G-I

**REACTIONS.** (size) B=0-5-8, I=0-3-8  
Max Horz B=299(LC 9)  
Max Uplift B=-205(LC 6), I=-185(LC 6)  
Max Grav B=1602(LC 3), I=1587(LC 3)

**FORCES.** (lb) - Max. Comp./Max. Ten. - All forces 250 (lb) or less except when shown.  
TOP CHORD B-C=-6801/760, C-D=-5845/678, D-F=-2805/358, F-G=-1645/285  
BOT CHORD B-M=-831/6480, L-M=-902/6335, K-L=-403/3197, J-K=-151/1514, I-J=-85/288  
WEBS C-M=0/291, C-L=-849/228, D-L=-359/3077, D-K=-1547/290, F-K=-231/1755,  
F-J=-1525/322, G-J=-287/1963, G-I=-1439/199

- NOTES-**
- Wind: ASCE 7-16; Vult=115mph (3-second gust) Vasd=91mph; TCDL=4.2psf; BCCL=5.0psf; h=30ft; Ke=1.00; Cat. II; Exp B; Enclosed; MWFRS (envelope) gable end zone; cantilever left and right exposed; end vertical left and right exposed; Lumber DOL=1.33 plate grip DOL=1.33
  - TCLL: ASCE 7-16; Pf=25.0 psf (Lum DOL = 1.15 Plate DOL = 1.15); Is=1.0; Rough Cat B; Partially Exp.; Ce=1.0; Cs=1.00; Ct=1.10
  - Unbalanced snow loads have been considered for this design.
  - This truss has been designed for greater of min roof live load of 20.0 psf or 2.00 times flat roof load of 25.0 psf on overhangs non-concurrent with other live loads.
  - All plates are MT20 plates unless otherwise indicated.
  - This truss has been designed for a 10.0 psf bottom chord live load nonconcurrent with any other live loads.
  - \* This truss has been designed for a live load of 20.0psf on the bottom chord in all areas where a rectangle 3-6-0 tall by 2-0-0 wide will fit between the bottom chord and any other members, with BCCL = 10.0psf.
  - Bearing at joint(s) B considers parallel to grain value using ANSI/TPI 1 angle to grain formula. Building designer should verify capacity of bearing surface.
  - Provide mechanical connection (by others) of truss to bearing plate capable of withstanding 100 lb uplift at joint(s) except (jt=lb) B=205, I=185.
  - This truss is designed in accordance with the 2018 International Building Code section 2306.1 and referenced standard ANSI/TPI 1.



September 12, 2024

**WARNING - Verify design parameters and READ NOTES ON THIS AND INCLUDED MITEK REFERENCE PAGE MII-7473 rev. 6/30/2020 BEFORE USE.**  
Design valid for use only with MiTek® connectors. This design is based only upon parameters shown, and is for an individual building component, not a truss system. Before use, the building designer must verify the applicability of design parameters and properly incorporate this design into the overall building design. Bracing indicated is to prevent buckling of individual truss web and/or chord members only. Additional temporary and permanent bracing is always required for stability and to prevent collapse with possible personal injury and property damage. For general guidance regarding the fabrication, storage, delivery, erection and bracing of trusses and truss systems, see **ANSI/TPI1 Quality Criteria, DSB-89 and BCSI Building Component Safety Information** available from Truss Plate Institute, 2670 Crain Highway, Suite 203 Waldorf, MD 20601



Job N0653A	Truss A18	Truss Type ROOF SPECIAL	Qty 1	Ply 1	Buildings A-H Job Reference (optional)	U1530836
---------------	--------------	----------------------------	----------	----------	---	----------

Alliance Truss (CA), Abbotsford, BC - V2S 7P6, 8.820 s Aug 30 2024 MiTek Industries, Inc. Thu Sep 12 02:47:55 2024 Page 1

ID:hFyjDMxrTsEK\_kgkR0vWWVzFlgc-zb\_ob3xLaYR2E2VTS4He2m3ZIPFpolowSgjr1yeVrl



Scale = 1:61.5

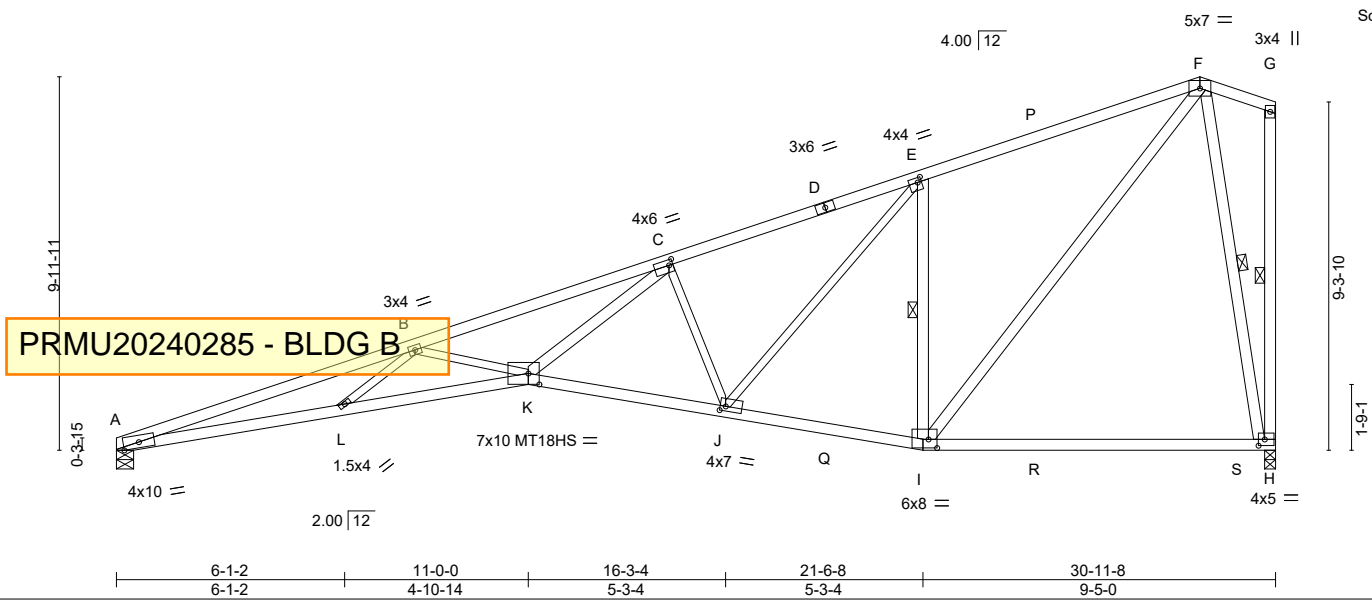


Plate Offsets (X,Y)--	[C:0-1-4,0-1-12], [E:0-1-4,0-1-8], [H:0-2-0,0-2-0], [I:0-2-12,0-2-12], [J:0-1-12,0-1-8], [K:0-3-8,0-3-8]
-----------------------	--

LOADING (psf)	SPACING-	CSI.	DEFL.	in (loc)	l/defl	L/d	PLATES	GRIP
TCLL 25.0 (Roof Snow=25.0)	2-0-0 Plate Grip DOL 1.15	TC 0.95	Vert(LL)	-0.56	K-L >663	360	MT20	197/144
TCDL 12.0	Lumber DOL 1.15	BC 0.90	Vert(CT)	-1.01	K-L >366	240	MT18HS	197/144
BCLL 0.0 *	Rep Stress Incr YES	WB 0.76	Horz(CT)	0.37	H n/a	n/a		
BCDL 10.0	Code IBC2018/TPI2014	Matrix-MS	Wind(LL)	0.31	K >999	240		
							Weight: 135 lb	FT = 20%

LUMBER-	BRACING-
TOP CHORD 2x4 SPF No.2 *Except* A-D: 2x4 SPF 2100F 1.8E	TOP CHORD Structural wood sheathing directly applied, except end verticals.
BOT CHORD 2x4 SPF 2100F 1.8E *Except* I-K: 2x4 SPF No.2	BOT CHORD Rigid ceiling directly applied or 8-3-2 oc bracing.
WEBS 2x4 SPF No.2 *Except* B-L,B-K,C-J,E-J: 2x3 SPF No.2	WEBS 1 Row at midpt E-I, G-H, F-H

**REACTIONS.** (size) A=0-5-8, H=0-3-8  
 Max Horz A=292(LC 9)  
 Max Uplift A=-160(LC 6), H=-186(LC 6)  
 Max Grav A=1515(LC 3), H=1589(LC 3)


**FORCES.** (lb) - Max. Comp./Max. Ten. - All forces 250 (lb) or less except when shown.  
 TOP CHORD A-B=-6852/778, B-C=-5866/686, C-E=-2810/361, E-F=-1647/287  
 BOT CHORD A-L=-847/6531, K-L=-913/6372, J-K=-405/3204, I-J=-152/1517, H-I=-85/288  
 WEBS B-L=0/297, B-K=-870/233, C-K=-365/3093, C-J=-1553/292, E-J=-232/1760,  
 E-I=-1528/323, F-I=-288/1966, F-H=-1441/199

- NOTES-**
- 1) Wind: ASCE 7-16; Vult=115mph (3-second gust) Vasd=91mph; TCDL=4.2psf; BCDL=5.0psf; h=30ft; Ke=1.00; Cat. II; Exp B; Enclosed; MWFRS (envelope) gable end zone; cantilever left and right exposed; end vertical left and right exposed; Lumber DOL=1.33 plate grip DOL=1.33
  - 2) TCLL: ASCE 7-16; Pf=25.0 psf (Lum DOL = 1.15 Plate DOL = 1.15); Is=1.0; Rough Cat B; Partially Exp.; Ce=1.0; Cs=1.00; Ct=1.10
  - 3) Unbalanced snow loads have been considered for this design.
  - 4) All plates are MT20 plates unless otherwise indicated.
  - 5) This truss has been designed for a 10.0 psf bottom chord live load nonconcurrent with any other live loads.
  - 6) \* This truss has been designed for a live load of 20.0psf on the bottom chord in all areas where a rectangle 3-6-0 tall by 2-0-0 wide will fit between the bottom chord and any other members, with BCDL = 10.0psf.
  - 7) Bearing at joint(s) A considers parallel to grain value using ANSI/TPI 1 angle to grain formula. Building designer should verify capacity of bearing surface.
  - 8) Provide mechanical connection (by others) of truss to bearing plate capable of withstanding 100 lb uplift at joint(s) except (jt=lb) A=160, H=186.
  - 9) This truss is designed in accordance with the 2018 International Building Code section 2306.1 and referenced standard ANSI/TPI 1.



September 12, 2024

**WARNING - Verify design parameters and READ NOTES ON THIS AND INCLUDED MITEK REFERENCE PAGE MII-7473 rev. 6/30/2020 BEFORE USE.**  
 Design valid for use only with MiTek® connectors. This design is based only upon parameters shown, and is for an individual building component, not a truss system. Before use, the building designer must verify the applicability of design parameters and properly incorporate this design into the overall building design. Bracing indicated is to prevent buckling of individual truss web and/or chord members only. Additional temporary and permanent bracing is always required for stability and to prevent collapse with possible personal injury and property damage. For general guidance regarding the fabrication, storage, delivery, erection and bracing of trusses and truss systems, see **ANSI/TPI1 Quality Criteria, DSB-89 and BCSI Building Component Safety Information** available from Truss Plate Institute, 2670 Crain Highway, Suite 203 Waldorf, MD 20601



240 Stirling Crescent  
Bradford, ON. L3Z 4L5

Job N0653A	Truss A19	Truss Type GABLE	Qty 1	Ply 1	Buildings A-H Job Reference (optional)	U1530837
---------------	--------------	---------------------	----------	----------	---	----------

Alliance Truss (CA), Abbotsford, BC - V2S 7P6,

8.820 s Aug 30 2024 MiTek Industries, Inc. Thu Sep 12 02:47:56 2024 Page 1

ID:hFyjDMxrTsEK\_kgkR0vWWVzFlgc-RnXApPxzLsZvrB4f0notb\_bnYpdmXio4\_6QH\_TyeVrH



**PRMU20240285 - BLDG B**

Scale = 1:74.5

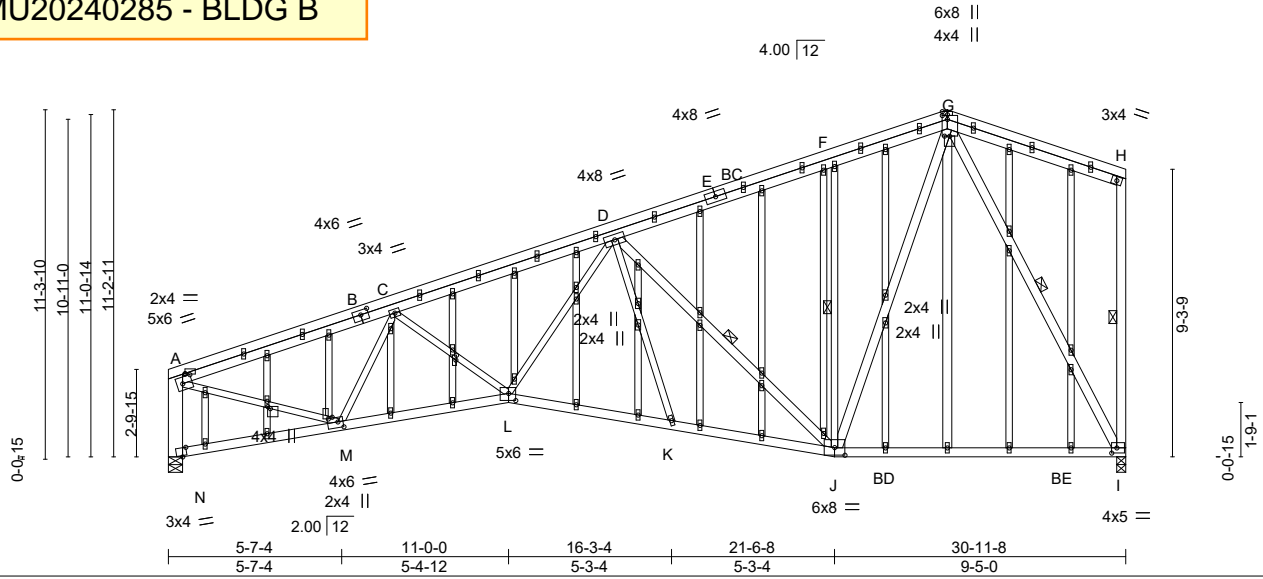


Plate Offsets (X,Y)-- [A:0-3-12,0-2-8], [A:0-0-0,0-0-4], [B:0-3-0,0-1-12], [G:0-2-0,Edge], [G:0-1-8,0-2-0], [G:0-0-1,0-2-0], [I:0-2-0,0-2-0], [J:0-4-0,0-2-15], [L:0-2-12,0-2-12], [M:0-2-0,0-2-4], [M:0-0-11,0-1-8], [N:0-1-13,Edge], [AJ:0-1-14,0-0-4], [AP:0-0-13,0-1-0]

<b>LOADING</b> (psf)	<b>SPACING-</b>	<b>CSI.</b>	<b>DEFL.</b>	<b>PLATES</b>	<b>GRIP</b>
TCLL 25.0 (Roof Snow=25.0)	2-0-0	TC 0.75	in (loc) l/defl L/d	MT20	197/144
TCDL 12.0	Plate Grip DOL 1.15	BC 0.79	Vert(LL) -0.44 I-J >829 360		
BCLL 0.0 *	Lumber DOL 1.15	WB 0.90	Vert(CT) -0.70 I-J >521 240		
BCDL 10.0	Rep Stress Incr YES	Matrix-MS	Horz(CT) 0.13 I n/a n/a		
	Code IBC2018/TPI2014		Wind(LL) 0.08 L >999 240	Weight: 264 lb	FT = 20%

**LUMBER-**

TOP CHORD 2x4 SPF No.2  
 BOT CHORD 2x4 SPF No.2 \*Except\*  
 I-J: 2x4 SPF 2100F 1.8E  
 WEBS 2x3 SPF No.2 \*Except\*  
 D-J,G-J,H-I,G-I: 2x4 SPF No.2, A-N: 2x6 SPF No.2  
 OTHERS 2x3 SPF No.2 \*Except\*  
 G-O: 2x4 SPF No.2

**BRACING-**

TOP CHORD Structural wood sheathing directly applied or 2-2-0 oc purlins, except end verticals.  
 BOT CHORD Rigid ceiling directly applied or 9-11-12 oc bracing.  
 WEBS 1 Row at midpt D-J, F-J, H-I, G-I

**REACTIONS.**

(size) I=0-3-8, N=0-5-8  
 Max Horz N=259(LC 7)  
 Max Uplift I=-151(LC 6), N=-156(LC 6)  
 Max Grav I=1547(LC 2), N=1523(LC 3)

**FORCES.** (lb) - Max. Comp./Max. Ten. - All forces 250 (lb) or less except when shown.

TOP CHORD A-C=-2234/231, C-D=-2811/333, D-F=-1293/187, F-G=-1280/243, A-N=-1448/190, H-I=-307/71  
 BOT CHORD M-N=-254/101, L-M=-347/2486, K-L=-237/2128, J-K=-219/2182, I-J=-115/668  
 WEBS C-M=-940/175, D-L=-103/959, D-J=-1377/202, F-J=-594/151, G-J=-197/1491, A-M=-189/2083, G-I=-1384/147

**NOTES-**

- Wind: ASCE 7-16; Vult=115mph (3-second gust) Vasd=91mph; TCDL=4.2psf; BCDL=5.0psf; h=30ft; Ke=1.00; Cat. II; Exp B; Enclosed; MWFRS (envelope) gable end zone; cantilever left and right exposed; end vertical left and right exposed; Lumber DOL=1.33 plate grip DOL=1.33
- Truss designed for wind loads in the plane of the truss only. For studs exposed to wind (normal to the face), see Standard Industry Gable End Details as applicable, or consult qualified building designer as per ANSI/TPI 1.
- TCLL: ASCE 7-16; Pf=25.0 psf (Lum DOL = 1.15 Plate DOL = 1.15); Is=1.0; Rough Cat B; Partially Exp.; Ce=1.0; Cs=1.00; Ct=1.10
- Unbalanced snow loads have been considered for this design.
- All plates are 1.5x4 MT20 unless otherwise indicated.
- Gable studs spaced at 2-0-0 oc.
- This truss has been designed for a 10.0 psf bottom chord live load nonconcurrent with any other live loads.
- \* This truss has been designed for a live load of 20.0psf on the bottom chord in all areas where a rectangle 3-6-0 tall by 2-0-0 wide will fit between the bottom chord and any other members, with BCDL = 10.0psf.
- Bearing at joint(s) N considers parallel to grain value using ANSI/TPI 1 angle to grain formula. Building designer should verify capacity of bearing surface.
- Provide mechanical connection (by others) of truss to bearing plate capable of withstanding 100 lb uplift at joint(s) except (jt=lb) I=151, N=156.
- This truss is designed in accordance with the 2018 International Building Code section 2306.1 and referenced standard ANSI/TPI 1.



September 12, 2024

Continued on page 2

**WARNING - Verify design parameters and READ NOTES ON THIS AND INCLUDED MITEK REFERENCE PAGE MII-7473 rev. 6/30/2020 BEFORE USE.**

Design valid for use only with MiTek® connectors. This design is based only upon parameters shown, and is for an individual building component, not a truss system. Before use, the building designer must verify the applicability of design parameters and properly incorporate this design into the overall building design. Bracing indicated is to prevent buckling of individual truss web and/or chord members only. Additional temporary and permanent bracing is always required for stability and to prevent collapse with possible personal injury and property damage. For general guidance regarding the fabrication, storage, delivery, erection and bracing of trusses and truss systems, see

**ANSI/TPI1 Quality Criteria, DSB-89 and BCSI Building Component**

**Safety Information** available from Truss Plate Institute, 2670 Crain Highway, Suite 203 Waldorf, MD 20601



240 Stirling Crescent  
 Bradford, ON. L3Z 4L5

Job	Truss	Truss Type	Qty	Ply	Buildings A-H	U1530837
N0653A	A19	GABLE	1	1	Job Reference (optional)	

Alliance Truss (CA), Abbotsford, BC - V2S 7P6,

8.820 s Aug 30 2024 MiTek Industries, Inc. Thu Sep 12 02:47:56 2024 Page 2  
 ID:hFyjDMxrTsEK\_kgkR0vWWVzFgc-RnXApPxzLsZvrB4f0notb\_bnYpdmXio4\_6QH\_TyeVrH

**NOTES-**

- 12) No notches allowed in overhang and 0 from left end and 0 from right end or 12" along rake from scarf, whichever is larger. Minimum 1.5x4 tie plates required at 2-0-0 o.c. maximum between the stacking chords. For edge-wise notching, provide at least one tie plate between each notch.

PRMU20240285 - BLDG B

**WARNING - Verify design parameters and READ NOTES ON THIS AND INCLUDED MITEK REFERENCE PAGE MII-7473 rev. 6/30/2020 BEFORE USE.**

Design valid for use only with MiTek® connectors. This design is based only upon parameters shown, and is for an individual building component, not a truss system. Before use, the building designer must verify the applicability of design parameters and properly incorporate this design into the overall building design. Bracing indicated is to prevent buckling of individual truss web and/or chord members only. Additional temporary and permanent bracing is always required for stability and to prevent collapse with possible personal injury and property damage. For general guidance regarding the fabrication, storage, delivery, erection and bracing of trusses and truss systems, see

**Safety Information** available from Truss Plate Institute, 2670 Crain Highway, Suite 203 Waldorf, MD 20601

**ANSI/TPI1 Quality Criteria, DSB-89 and BCSI Building Component**



240 Stirling Crescent  
 Bradford, ON. L3Z 4L5

Job N0653A	Truss B1	Truss Type GABLE	Qty 7	Ply 1	Buildings A-H Job Reference (optional)	U1530774
---------------	-------------	---------------------	----------	----------	---	----------

Alliance Truss (CA), Abbotsford, BC - V2S 7P6,

8.630 s Jul 12 2024 MiTek Industries, Inc. Thu Sep 12 02:47:24 2024 Page 1

ID:hFyjDMxrTsEK\_kgkR0vWWVzFfgc-RfC?PsB70Hq3NSgPqnL8w3ulTXbGKWrCDoi7J4zJC?f



**PRMU20240285 - BLDG B**

4.00 | 12 3x4 =

Scale = 1:53.4

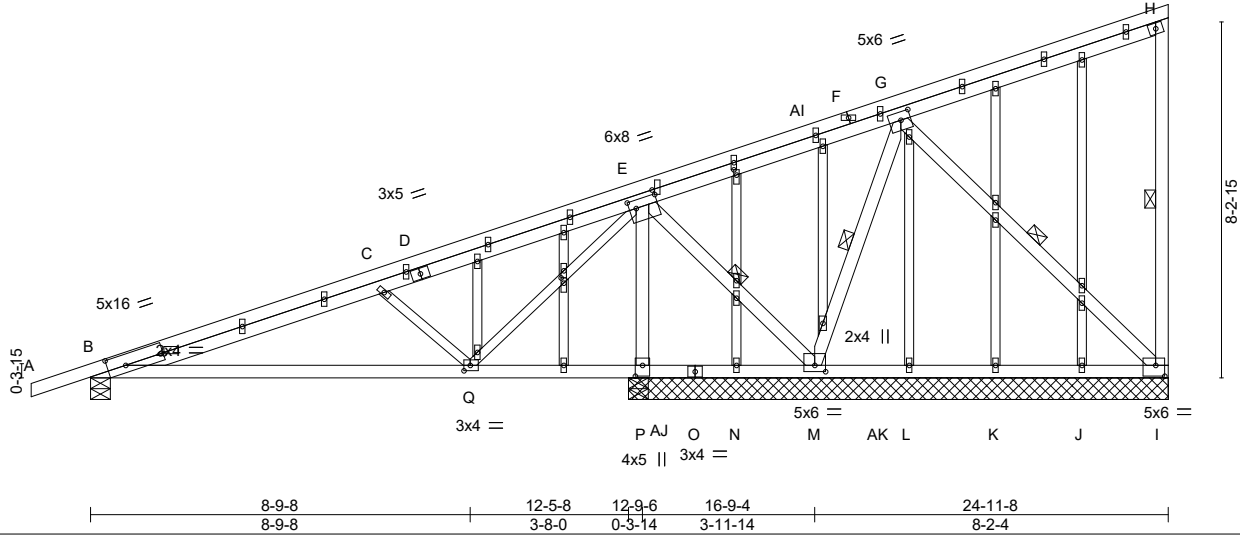


Plate Offsets (X,Y)-- [B:0-5-1,0-3-0], [E:0-1-14,0-2-4], [E:0-1-4,0-0-12], [G:0-2-12,0-2-4], [I:0-2-8,0-3-0], [M:0-3-0,0-1-12], [P:0-3-0,0-2-0], [Q:0-1-12,0-1-8], [Y:0-1-7,0-0-12], [AA:0-1-7,0-0-12], [AG:0-1-0,0-0-0]

<b>LOADING</b> (psf)	<b>SPACING-</b>	<b>CSI.</b>	<b>DEFL.</b>	in (loc)	l/defl	L/d	<b>PLATES</b>	<b>GRIP</b>
TCLL 25.0 (Roof Snow=25.0)	2-0-0	TC 0.72	Vert(LL) -0.17	Q-AH	>877	360	MT20	197/144
TCDL 12.0	Plate Grip DOL 1.15	BC 0.73	Vert(CT) -0.32	Q-AH	>466	240		
BCLL 0.0 *	Lumber DOL 1.15	WB 0.91	Horz(CT) -0.05	J	n/a	n/a		
BCDL 10.0	Rep Stress Incr YES	Matrix-MS	Wind(LL) 0.10	Q-AH	>999	240	Weight: 158 lb	FT = 20%
	Code IBC2018/TPI2014							

**LUMBER-**

TOP CHORD 2x4 SPF No.2  
 BOT CHORD 2x4 SPF No.2  
 WEBS 2x4 SPF No.2 \*Except\*  
 C-Q,E-Q: 2x3 SPF No.2  
 OTHERS 2x3 SPF No.2

**BRACING-**

TOP CHORD Structural wood sheathing directly applied or 3-5-15 oc purlins, except end verticals.  
 BOT CHORD Rigid ceiling directly applied or 3-7-12 oc bracing.  
 WEBS 1 Row at midpt H-I, E-M, G-M, G-I

**REACTIONS.**

All bearings 12-6-0 except (jt=length) B=0-5-8.  
 (lb) - Max Horz B=618(LC 35)  
 Max Uplift All uplift 100 lb or less at joint(s) J, K, L, N except I=1485(LC 35), B=-750(LC 32), P=-2877(LC 32)  
 Max Grav All reactions 250 lb or less at joint(s) J, K, L, N except I=1484(LC 52), B=1165(LC 27), P=3277(LC 29), P=1257(LC 1)

**FORCES.**

(lb) - Max. Comp./Max. Ten. - All forces 250 (lb) or less except when shown.  
 TOP CHORD B-C=-2245/1859, C-E=-1537/1247, E-G=-1020/906, G-H=-1678/1585, H-I=-290/53  
 BOT CHORD B-Q=-1911/2105, P-Q=-2060/1926, N-P=-1835/1714, M-N=-816/671, L-M=-2542/2482, K-L=-1494/1434, J-K=-629/582, I-J=-1517/1457  
 WEBS C-Q=-573/193, E-Q=-164/965, E-M=-2921/3050, G-M=-2273/2225, G-I=-2018/2061, E-P=-3216/2858

**NOTES-**

- 1) Wind: ASCE 7-16; Vult=115mph (3-second gust) Vasd=91mph; TCDL=4.2psf; BCDL=5.0psf; h=30ft; Ke=1.00; Cat. II; Exp B; Enclosed; MWFRS (envelope) gable end zone; cantilever left and right exposed; end vertical left and right exposed; Lumber DOL=1.33 plate grip DOL=1.33
- 2) Truss designed for wind loads in the plane of the truss only. For studs exposed to wind (normal to the face), see Standard Industry Gable End Details as applicable, or consult qualified building designer as per ANSI/TPI 1.
- 3) TCLL: ASCE 7-16; Pf=25.0 psf (Lum DOL=1.15 Plate DOL=1.15); Is=1.0; Rough Cat B; Partially Exp.; Ce=1.0; Cs=1.00; Ct=1.10
- 4) Unbalanced snow loads have been considered for this design.
- 5) This truss has been designed for greater of min roof live load of 20.0 psf or 2.00 times flat roof load of 25.0 psf on overhangs non-concurrent with other live loads.
- 6) All plates are 1.5x4 MT20 unless otherwise indicated.
- 7) Gable studs spaced at 2-0-0 oc.
- 8) This truss has been designed for a 10.0 psf bottom chord live load nonconcurrent with any other live loads.
- 9) \* This truss has been designed for a live load of 20.0psf on the bottom chord in all areas where a rectangle 3-6-0 tall by 2-0-0 wide will fit between the bottom chord and any other members, with BCDL = 10.0psf.
- 10) Provide mechanical connection (by others) of truss to bearing plate capable of withstanding 100 lb uplift at joint(s) J, K, L, N except (jt=lb) I=1485, B=750, P=2877.
- 11) This truss is designed in accordance with the 2018 International Building Code section 2306.1 and referenced standard ANSI/TPI 1.



September 12, 2024

Continued on page 2

**WARNING - Verify design parameters and READ NOTES ON THIS AND INCLUDED MITEK REFERENCE PAGE MII-7473 rev. 6/30/2020 BEFORE USE.**

Design valid for use only with MiTek® connectors. This design is based only on parameters shown, and is for an individual building component, not a truss system. Before use, the building designer must verify the applicability of design parameters and properly incorporate this design into the overall building design. Bracing indicated is to prevent buckling of individual truss web and/or chord members only. Additional temporary and permanent bracing is always required for stability and to prevent collapse with possible personal injury and property damage. For general guidance regarding the fabrication, storage, delivery, erection and bracing of trusses and truss systems, see

**Safety Information** available from Truss Plate Institute, 2670 Crain Highway, Suite 203 Waldorf, MD 20601

ANSI/TPI1 Quality Criteria, DSB-89 and BCSI Building Component



240 Stirling Crescent  
 Bradford, ON. L3Z 4L5

Job	Truss	Truss Type	Qty	Ply	Buildings A-H
N0653A	B1	GABLE	7	1	U1530774

Alliance Truss (CA), Abbotsford, BC - V2S 7P6,

8.630 s Jul 12 2024 MiTek Industries, Inc. Thu Sep 12 02:47:24 2024 Page 2  
 ID:hFyjDMxrTsEK\_kgkR0vWWVzFgc-RfC?PsB70Hq3NSgPqnL8w3ulTXbGKWrCDoi7J4zJC?f

**NOTES-**

- 12) This truss has been designed for a total drag load of 240 plf. Lumber DOL=(1.33) Plate grip DOL=(1.33) Connect truss to resist drag loads along bottom chord from 12'-5-8 to 24'-11-8 for 479.2 plf
- 13) No notches allowed in chords and 10'-0" from left end and 0 from right end or 12" along rake from scarf, whichever is larger. Minimum 1.5x4 tie plates required at 2'-0" o.c. maximum between tie stacking chords. For edge-wise notching, provide at least one tie plate between each notch.

PRMU20240285 - BLDG B

Job N0653A	Truss B2	Truss Type Monopitch	Qty 28	Ply 1	Buildings A-H	U1530838
---------------	-------------	-------------------------	-----------	----------	---------------	----------

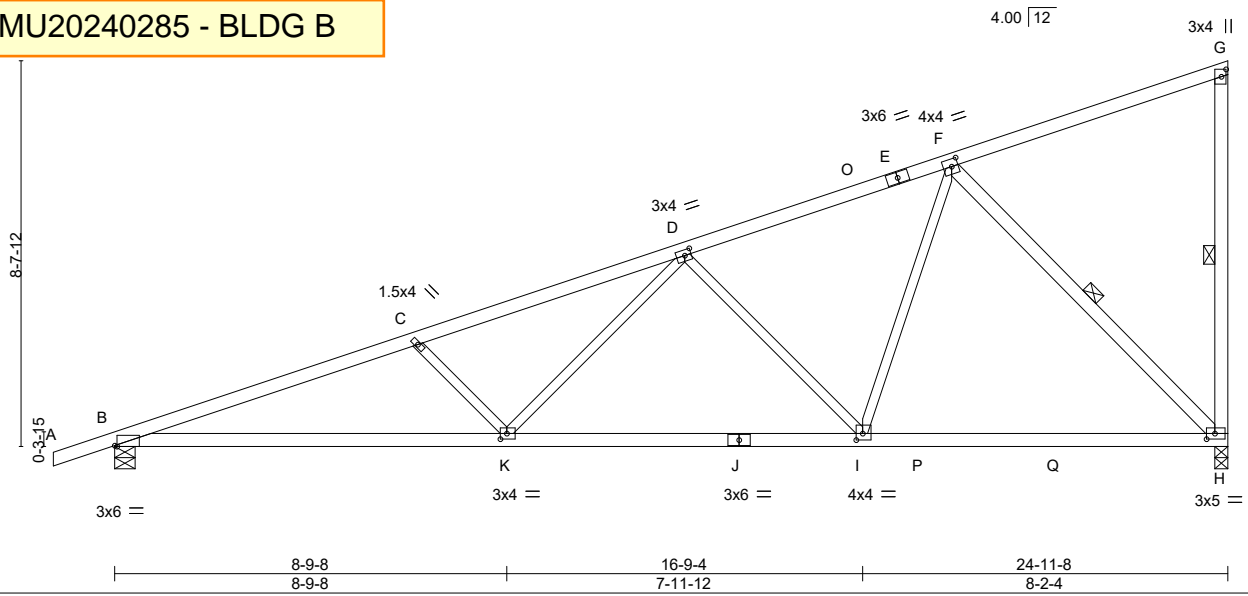
Alliance Truss (CA), Abbotsford, BC - V2S 7P6,

8.820 s Aug 30 2024 MiTek Industries, Inc. Thu Sep 12 02:48:03 2024 Page 1

ID:hFyjDMxrTsEK\_kgkR0vWWVzFlgc-k7TqHo1Mi0SvBG6?wmQWNSO?me?Vgw56bic9jZyeVrA



**PRMU20240285 - BLDG B**



Scale = 1:51.7

Plate Offsets (X,Y)-- [B:0-0-10,Edge], [D:0-1-12,0-1-8], [F:0-1-12,0-2-0], [G:0-2-0,0-1-4], [H:0-2-4,0-1-8], [I:0-1-12,0-1-12], [K:0-1-12,0-1-8]

LOADING (psf)	SPACING-	CSI.	DEFL.	in (loc)	l/defl	L/d	PLATES	GRIP
TCLL 25.0 (Roof Snow=25.0)	2-0-0 Plate Grip DOL 1.15	TC 0.69	Vert(LL) -0.20	K-N	>999	360	MT20	197/144
TCDL 12.0	Lumber DOL 1.15	BC 0.84	Vert(CT) -0.39	K-N	>769	240		
BCLL 0.0 *	Rep Stress Incr YES	WB 0.74	Horz(CT) 0.06	H	n/a	n/a		
BCDL 10.0	Code IBC2018/TPI2014	Matrix-MS	Wind(LL) 0.09	K-N	>999	240	Weight: 96 lb	FT = 20%

**LUMBER-**

TOP CHORD 2x4 SPF No.2  
 BOT CHORD 2x4 SPF No.2 \*Except\*  
 B-J: 2x4 SPF 2100F 1.8E  
 WEBS 2x3 SPF No.2 \*Except\*  
 G-H,F-H: 2x4 SPF No.2

**BRACING-**

TOP CHORD Structural wood sheathing directly applied or 2-7-4 oc purlins, except end verticals.  
 BOT CHORD Rigid ceiling directly applied or 10-0-0 oc bracing.  
 WEBS 1 Row at midpt G-H, F-H

**REACTIONS.**

(size) H=0-3-8, B=0-5-8  
 Max Horz B=281(LC 9)  
 Max Uplift H=-167(LC 10), B=-172(LC 6)  
 Max Grav H=1419(LC 3), B=1331(LC 3)

**FORCES.** (lb) - Max. Comp./Max. Ten. - All forces 250 (lb) or less except when shown.

TOP CHORD B-C=-2955/311, C-D=-2666/260, D-F=-1455/158, G-H=-283/51  
 BOT CHORD B-K=-378/2775, I-K=-232/1883, H-I=-103/1036  
 WEBS C-K=-516/161, D-K=-53/861, D-I=-849/185, F-I=-56/980, F-H=-1470/216

**NOTES-**

- 1) Wind: ASCE 7-16; Vult=115mph (3-second gust) Vasd=91mph; TCDL=4.2psf; BCDL=5.0psf; h=30ft; Ke=1.00; Cat. II; Exp B; Enclosed; MWFRS (envelope) gable end zone; cantilever left and right exposed ; end vertical left and right exposed; Lumber DOL=1.33 plate grip DOL=1.33
- 2) TCLL: ASCE 7-16; Pf=25.0 psf (Lum DOL = 1.15 Plate DOL = 1.15); Is=1.0; Rough Cat B; Partially Exp.; Ce=1.0; Cs=1.00; Ct=1.10
- 3) Unbalanced snow loads have been considered for this design.
- 4) This truss has been designed for greater of min roof live load of 20.0 psf or 2.00 times flat roof load of 25.0 psf on overhangs non-concurrent with other live loads.
- 5) This truss has been designed for a 10.0 psf bottom chord live load nonconcurrent with any other live loads.
- 6) \* This truss has been designed for a live load of 20.0psf on the bottom chord in all areas where a rectangle 3-6-0 tall by 2-0-0 wide will fit between the bottom chord and any other members, with BCDL = 10.0psf.
- 7) Provide mechanical connection (by others) of truss to bearing plate capable of withstanding 167 lb uplift at joint H and 172 lb uplift at joint B.
- 8) This truss is designed in accordance with the 2018 International Building Code section 2306.1 and referenced standard ANSI/TPI 1.



September 12, 2024

**WARNING - Verify design parameters and READ NOTES ON THIS AND INCLUDED MITEK REFERENCE PAGE MII-7473 rev. 6/30/2020 BEFORE USE.**

Design valid for use only with MiTek® connectors. This design is based only upon parameters shown, and is for an individual building component, not a truss system. Before use, the building designer must verify the applicability of design parameters and properly incorporate this design into the overall building design. Bracing indicated is to prevent buckling of individual truss web and/or chord members only. Additional temporary and permanent bracing is always required for stability and to prevent collapse with possible personal injury and property damage. For general guidance regarding the fabrication, storage, delivery, erection and bracing of trusses and truss systems, see

**Safety Information** available from Truss Plate Institute, 2670 Crain Highway, Suite 203 Waldorf, MD 20601



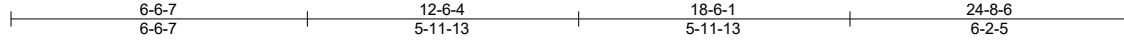
240 Stirling Crescent  
 Bradford, ON. L3Z 4L5

Job N0653A	Truss B3	Truss Type Roof Special	Qty 49	Ply 1	Buildings A-H	U1530839
---------------	-------------	----------------------------	-----------	----------	---------------	----------

Alliance Truss (CA), Abbotsford, BC - V2S 7P6,

8.820 s Aug 30 2024 MiTek Industries, Inc. Thu Sep 12 02:48:04 2024 Page 1

ID:hFyjDMxrTsEK\_kgkR0vWWVzFfgc-CK0CU82\_TJampQhCUTxlvgwAI2JuPNeFqMMiG?yeVr9



**PRMU20240285 - BLDG B**

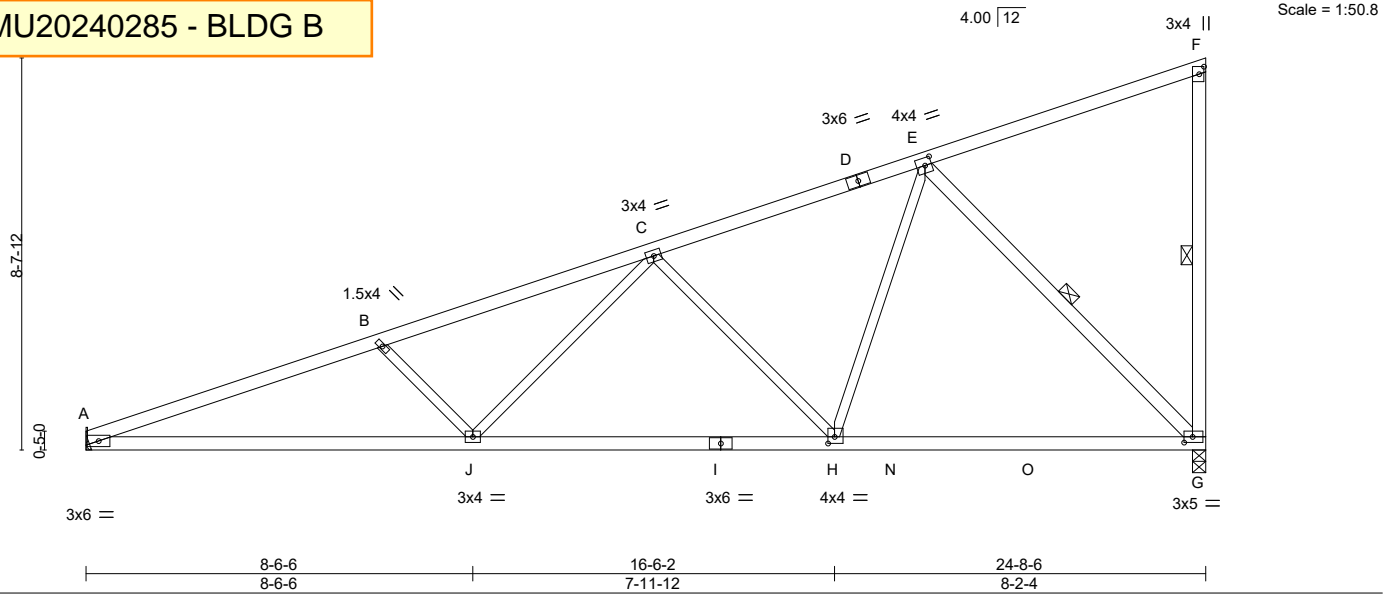


Plate Offsets (X,Y)-- [E:0-1-12,0-2-0], [F:0-2-0,0-1-4], [G:0-2-4,0-1-8], [H:0-1-12,0-1-12]

LOADING (psf)	SPACING-	CSI.	DEFL.	in (loc)	l/defl	L/d	PLATES	GRIP
TCLL 25.0 (Roof Snow=25.0)	2-0-0 Plate Grip DOL 1.15 Lumber DOL 1.15	TC 0.67 BC 0.96 WB 0.72	Vert(LL) -0.20 Vert(CT) -0.34 Horz(CT) 0.07 Wind(LL) 0.07	G-H G-H G J-M	>999 >873 n/a >999	360 240 n/a 240	MT20	197/144
TCDL 12.0	Rep Stress Incr YES Code IBC2018/TPI2014	Matrix-MS					Weight: 93 lb	FT = 20%
BCLL 0.0 *								
BCDL 10.0								

**LUMBER-**

TOP CHORD 2x4 SPF No.2  
 BOT CHORD 2x4 SPF No.2  
 WEBS 2x3 SPF No.2 \*Except\*  
 F-G,E-G: 2x4 SPF No.2

**BRACING-**

TOP CHORD Structural wood sheathing directly applied or 2-11-5 oc purlins, except end verticals.  
 BOT CHORD Rigid ceiling directly applied or 2-2-0 oc bracing.  
 WEBS 1 Row at midpt F-G, E-G

**REACTIONS.**

(size) G=0-3-8, A=Mechanical  
 Max Horz A=272(LC 9)  
 Max Uplift G=-167(LC 10), A=-125(LC 6)  
 Max Grav G=1390(LC 3), A=1225(LC 3)

**FORCES.** (lb) - Max. Comp./Max. Ten. - All forces 250 (lb) or less except when shown.

TOP CHORD A-B=-2853/311, B-C=-2565/261, C-E=-1422/157, F-G=-281/51  
 BOT CHORD A-J=-373/2660, H-J=-231/1832, G-H=-104/1009  
 WEBS B-J=-488/159, C-J=-50/798, C-H=-827/184, E-H=-56/967, E-G=-1429/215

**NOTES-**

- 1) Wind: ASCE 7-16; Vult=115mph (3-second gust) Vasd=91mph; TCDL=4.2psf; BCDL=5.0psf; h=30ft; Ke=1.00; Cat. II; Exp B; Enclosed; MWFRS (envelope) gable end zone; cantilever left and right exposed; end vertical left and right exposed; Lumber DOL=1.33 plate grip DOL=1.33
- 2) TCLL: ASCE 7-16; Pf=25.0 psf (Lum DOL = 1.15 Plate DOL = 1.15); Is=1.0; Rough Cat B; Partially Exp.; Ce=1.0; Cs=1.00; Ct=1.10
- 3) Unbalanced snow loads have been considered for this design.
- 4) This truss has been designed for a 10.0 psf bottom chord live load nonconcurrent with any other live loads.
- 5) \* This truss has been designed for a live load of 20.0psf on the bottom chord in all areas where a rectangle 3-6-0 tall by 2-0-0 wide will fit between the bottom chord and any other members, with BCDL = 10.0psf.
- 6) Refer to girder(s) for truss to truss connections.
- 7) Provide mechanical connection (by others) of truss to bearing plate capable of withstanding 167 lb uplift at joint G and 125 lb uplift at joint A.
- 8) This truss is designed in accordance with the 2018 International Building Code section 2306.1 and referenced standard ANSI/TPI 1.



September 12, 2024

**WARNING - Verify design parameters and READ NOTES ON THIS AND INCLUDED MITEK REFERENCE PAGE MII-7473 rev. 6/30/2020 BEFORE USE.**

Design valid for use only with MiTek® connectors. This design is based only upon parameters shown, and is for an individual building component, not a truss system. Before use, the building designer must verify the applicability of design parameters and properly incorporate this design into the overall building design. Bracing indicated is to prevent buckling of individual truss web and/or chord members only. Additional temporary and permanent bracing is always required for stability and to prevent collapse with possible personal injury and property damage. For general guidance regarding the fabrication, storage, delivery, erection and bracing of trusses and truss systems, see

**Safety Information** available from Truss Plate Institute, 2670 Crain Highway, Suite 203 Waldorf, MD 20601



240 Stirling Crescent  
 Bradford, ON. L3Z 4L5



Job	Truss	Truss Type	Qty	Ply	Buildings A-H	U1530840
N0653A	B3A	ROOF SPECIAL	42	1		

Alliance Truss (CA), Abbotsford, BC - V2S 7P6, 8.820 s Aug 30 2024 MiTek Industries, Inc. Thu Sep 12 02:48:04 2024 Page 1  
 ID:hFyjDMxrTsEK\_kgkR0vWVWzFfgc-CK0CU82\_TJampQhCUTxlvgw8U2KLPKBFqMMiG?yeVr9



**PRMU20240285 - BLDG B**

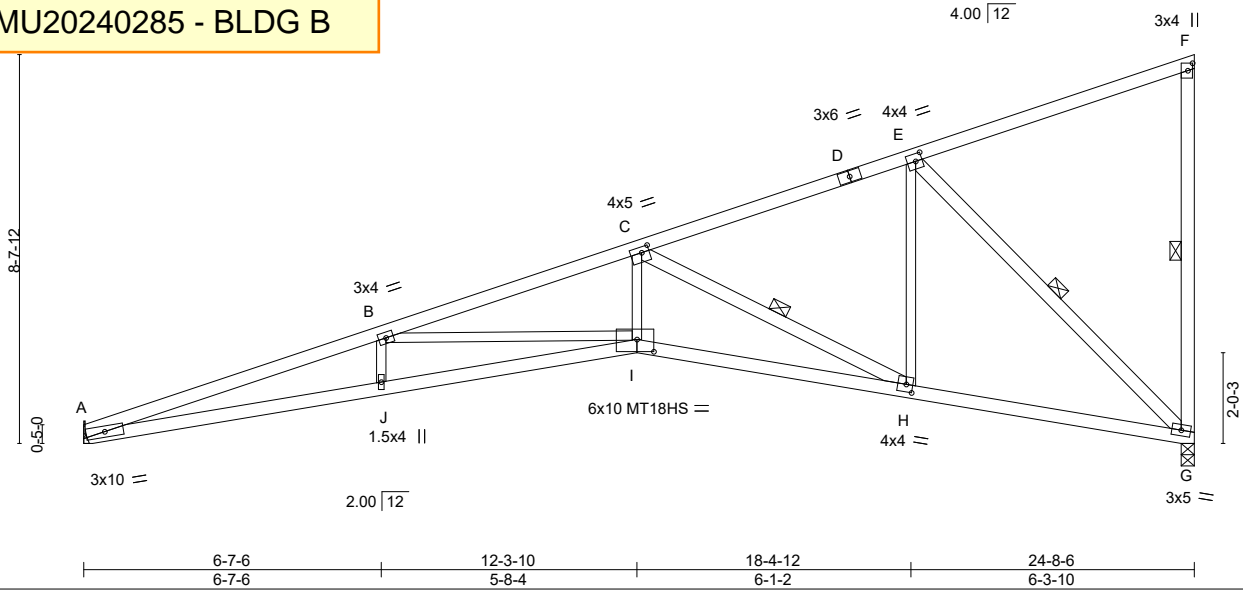


Plate Offsets (X,Y)-- [C:0-2-0,0-1-8], [E:0-1-12,0-2-0], [F:0-2-0,0-1-4], [H:0-1-12,0-2-0], [I:0-4-8,0-3-4]

LOADING (psf)	SPACING-	CSI.	DEFL.	PLATES	GRIP
TCLL 25.0 (Roof Snow=25.0)	2-0-0 Plate Grip DOL 1.15	TC 0.82	in (loc) l/defl L/d	MT20	197/144
TCDL 12.0	Lumber DOL 1.15	BC 0.93	Vert(LL) -0.41 I-J >710 360	MT18HS	197/144
BCLL 0.0 *	Rep Stress Incr YES	WB 0.94	Vert(CT) -0.76 I-J >386 240		
BCDL 10.0	Code IBC2018/TPI2014	Matrix-MS	Horz(CT) 0.34 G n/a n/a		
			Wind(LL) 0.24 I-J >999 240	Weight: 96 lb	FT = 20%

LUMBER-	BRACING-
TOP CHORD 2x4 SPF No.2	TOP CHORD Structural wood sheathing directly applied or 2-0-11 oc purlins, except end verticals.
BOT CHORD 2x4 SPF No.2 *Except*	BOT CHORD Rigid ceiling directly applied or 2-2-0 oc bracing.
WEBS 2x3 SPF No.2 *Except*	WEBS 1 Row at midpt F-G, C-H, E-G
F-G,C-H,E-G: 2x4 SPF No.2	

**REACTIONS.** (size) G=0-3-8, A=Mechanical  
 Max Horz A=247(LC 6)  
 Max Uplift G=-188(LC 6), A=-102(LC 6)  
 Max Grav G=1380(LC 16), A=1195(LC 16)

**FORCES.** (lb) - Max. Comp./Max. Ten. - All forces 250 (lb) or less except when shown.  
 TOP CHORD A-B=-4990/575, B-C=-3791/427, C-E=-1368/94, F-G=-286/64  
 BOT CHORD A-J=-762/4729, I-J=-764/4739, H-I=-564/3595, G-H=-182/1267  
 WEBS B-I=-1143/197, C-I=-178/1557, C-H=-2599/423, E-H=-63/968, E-G=-1747/249

- NOTES-**
- 1) Wind: ASCE 7-16; Vult=115mph (3-second gust) Vasd=91mph; TCDL=4.2psf; BCDL=5.0psf; h=30ft; Ke=1.00; Cat. II; Exp B; Enclosed; MWFRS (envelope) gable end zone; cantilever left exposed; end vertical left exposed; Lumber DOL=1.33 plate grip DOL=1.33
  - 2) TCLL: ASCE 7-16; Pf=25.0 psf (Lum DOL = 1.15 Plate DOL = 1.15); Is=1.0; Rough Cat B; Partially Exp.; Ce=1.0; Cs=1.00; Ct=1.10
  - 3) Unbalanced snow loads have been considered for this design.
  - 4) All plates are MT20 plates unless otherwise indicated.
  - 5) This truss has been designed for a 10.0 psf bottom chord live load nonconcurrent with any other live loads.
  - 6) \* This truss has been designed for a live load of 20.0psf on the bottom chord in all areas where a rectangle 3-6-0 tall by 2-0-0 wide will fit between the bottom chord and any other members.
  - 7) Refer to girder(s) for truss to truss connections.
  - 8) Bearing at joint(s) G considers parallel to grain value using ANSI/TPI 1 angle to grain formula. Building designer should verify capacity of bearing surface.
  - 9) Provide mechanical connection (by others) of truss to bearing plate capable of withstanding 188 lb uplift at joint G and 102 lb uplift at joint A.
  - 10) This truss is designed in accordance with the 2018 International Building Code section 2306.1 and referenced standard ANSI/TPI 1.

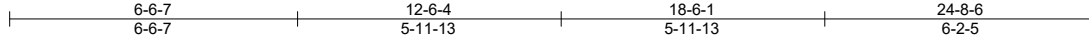


September 12, 2024

Job N0653A	Truss B4	Truss Type GABLE	Qty 7	Ply 1	Buildings A-H Job Reference (optional)	U1530775
---------------	-------------	---------------------	----------	----------	---	----------

Alliance Truss (CA), Abbotsford, BC - V2S 7P6, 8.630 s Jul 12 2024 MiTek Industries, Inc. Thu Sep 12 02:47:26 2024 Page 1

ID:hFyjDMxrTsEK\_kgkR0vWWVzFfgc-RfC?PsB70Hq3NSgPqnL8w3ulTXbGKWrcDoi7J4zJC?F



**PRMU20240285 - BLDG B**

4.00 | 12 3x4 = Scale = 1:52.3

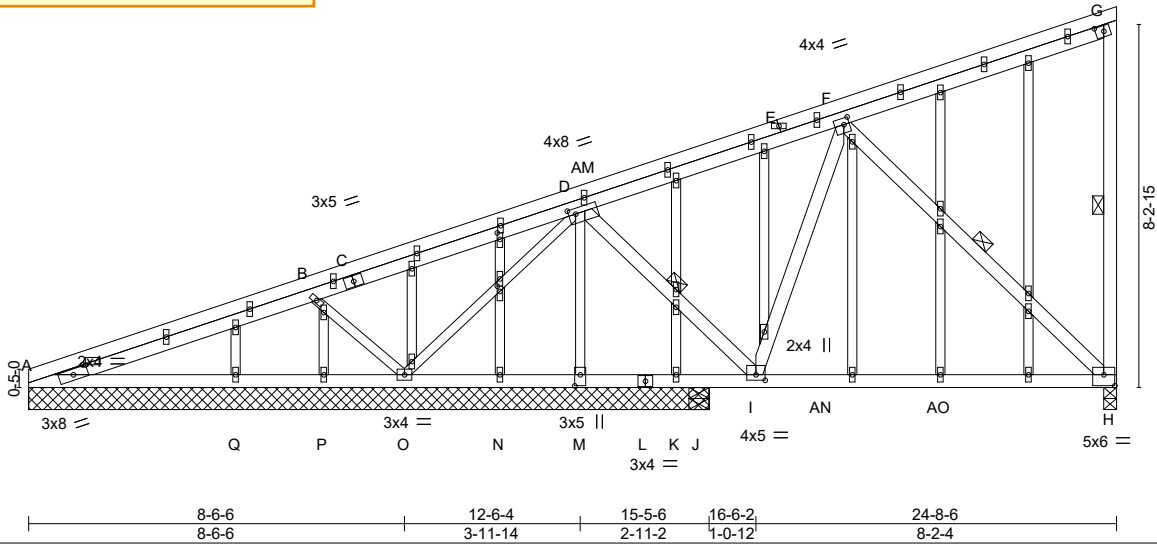


Plate Offsets (X,Y)-- [D:0-1-15,0-1-8], [F:0-1-8,0-1-12], [G:0-2-4,0-1-8], [H:0-3-0,0-3-0], [I:0-2-8,0-1-8], [M:0-3-0,0-1-8], [AD:0-1-7,0-0-12], [AE:0-1-12,0-0-12], [AK:0-0-12,0-0-0]

<b>LOADING</b> (psf)	<b>SPACING-</b>	<b>CSI.</b>	<b>DEFL.</b>	in (loc)	l/defl	L/d	<b>PLATES</b>	<b>GRIP</b>
TCLL 25.0 (Roof Snow=25.0)	2-0-0 Plate Grip DOL 1.15 Lumber DOL 1.15	TC 0.70 BC 0.79	Vert(LL) -0.16 Vert(CT) -0.27 Horz(CT) -0.02 Wind(LL) 0.06	H-I H-I H O	>712 >410 n/a >760	360 240 n/a 240	MT20	197/144
TCDL 12.0	Rep Stress Incr YES	WB 0.96						
BCLL 0.0 *	Code IBC2018/TPI2014	Matrix-MS					Weight: 156 lb	FT = 20%
BCDL 10.0								

<b>LUMBER-</b>	<b>BRACING-</b>
TOP CHORD 2x4 SPF No.2	TOP CHORD Structural wood sheathing directly applied or 2-2-0 oc purlins, except end verticals.
BOT CHORD 2x4 SPF No.2	BOT CHORD Rigid ceiling directly applied or 3-3-2 oc bracing.
WEBS 2x4 SPF No.2 *Except*	WEBS 1 Row at midpt G-H, D-I, F-H
B-O,D-O,D-M: 2x3 SPF No.2	
OTHERS 2x3 SPF No.2	

**REACTIONS.** All bearings 15-5-6 except (jt=length) H=0-3-8, J=0-5-8.  
 (lb) - Max Horz A=315(LC 38)  
 Max Uplift All uplift 100 lb or less at joint(s) K except H=919(LC 40), A=999(LC 31), N=320(LC 31), P=447(LC 31), Q=222(LC 54), M=1455(LC 31), J=315(LC 18)  
 Max Grav All reactions 250 lb or less at joint(s) K, J except H=1330(LC 27), A=1099(LC 52), N=427(LC 28), P=487(LC 52), Q=350(LC 35), M=2167(LC 28), A=370(LC 1)

**FORCES.** (lb) - Max. Comp./Max. Ten. - All forces 250 (lb) or less except when shown.  
 TOP CHORD A-B=-3149/2947, B-D=-1579/1391, D-F=-1946/1652, F-G=-1687/1587, G-H=-286/52  
 BOT CHORD A-Q=-2497/2487, P-Q=-1260/1250, O-P=-547/664, N-O=-1003/917, M-N=-1702/1617, K-M=-2580/2491, J-K=-2780/2691, I-J=-2780/2691, H-I=-958/1023  
 WEBS B-O=-589/250, D-O=-665/772, D-I=-1836/2119, F-I=-1378/1492, F-H=-1410/1308, D-M=-2255/1624

- NOTES-**
- 1) Wind: ASCE 7-16; Vult=115mph (3-second gust) Vasd=91mph; TCDL=4.2psf; BCDL=5.0psf; h=30ft; Ke=1.00; Cat. II; Exp B; Enclosed; MWFRS (envelope) gable end zone; cantilever left and right exposed ; end vertical left and right exposed; Lumber DOL=1.33 plate grip DOL=1.33
  - 2) Truss designed for wind loads in the plane of the truss only. For studs exposed to wind (normal to the face), see Standard Industry Gable End Details as applicable, or consult qualified building designer as per ANSI/TPI 1.
  - 3) TCLL: ASCE 7-16; Pf=25.0 psf (Lum DOL=1.15 Plate DOL=1.15); Is=1.0; Rough Cat B; Partially Exp.; Ce=1.0; Cs=1.00; Ct=1.10
  - 4) Unbalanced snow loads have been considered for this design.
  - 5) All plates are 1.5x4 MT20 unless otherwise indicated.
  - 6) Gable studs spaced at 2-0-0 oc.
  - 7) This truss has been designed for a 10.0 psf bottom chord live load nonconcurrent with any other live loads.
  - 8) \* This truss has been designed for a live load of 20.0psf on the bottom chord in all areas where a rectangle 3-6-0 tall by 2-0-0 wide will fit between the bottom chord and any other members, with BCDL = 10.0psf.
  - 9) Provide mechanical connection (by others) of truss to bearing plate capable of withstanding 100 lb uplift at joint(s) K except (jt=lb) H=919, A=999, N=320, P=447, Q=222, M=1455, J=315, A=999.
  - 10) This truss is designed in accordance with the 2018 International Building Code section 2306.1 and referenced standard ANSI/TPI 1.



September 12, 2024

Continued on page 2

**WARNING - Verify design parameters and READ NOTES ON THIS AND INCLUDED MITEK REFERENCE PAGE MII-7473 rev. 6/30/2020 BEFORE USE.**

Design valid for use only with MiTek® connectors. This design is based only upon parameters shown, and is for an individual building component, not a truss system. Before use, the building designer must verify the applicability of design parameters and properly incorporate this design into the overall building design. Bracing indicated is to prevent buckling of individual truss web and/or chord members only. Additional temporary and permanent bracing is always required for stability and to prevent collapse with possible personal injury and property damage. For general guidance regarding the fabrication, storage, delivery, erection and bracing of trusses and truss systems, see

**ANSI/TPI1 Quality Criteria, DSB-89 and BCSI Building Component**

**Safety Information** available from Truss Plate Institute, 2670 Crain Highway, Suite 203 Waldorf, MD 20601



240 Stirling Crescent  
Bradford, ON. L3Z 4L5


Job	Truss	Truss Type	Qty	Ply	Buildings A-H	U1530775
N0653A	B4	GABLE	7	1	Job Reference (optional)	

Alliance Truss (CA), Abbotsford, BC - V2S 7P6,

8.630 s Jul 12 2024 MiTek Industries, Inc. Thu Sep 12 02:47:26 2024 Page 2  
 ID:hFyjDMxrTsEK\_kgkR0vWWVzFigc-RfC?PsB70Hq3NSgPqnL8w3ulTXbGKWrCDoi7J4zJC?f

**NOTES-**

- 11) This truss has been designed for a total drag load of 240 plf. Lumber DOL=(1.33) Plate grip DOL=(1.33) Connect truss to resist drag loads along bottom chord from 0-0-0 to 15-5-6 for 383.7 plf.
- 12) No **PRMU20240285 - BLDG B** from right end or 12" along rake from scarf, whichever is larger. Minimum 1.5x4 tie plates required at 2-0-0 o.c. maximum between the stacking chords. For edge-wise notching, provide at least one tie plate between each notch.

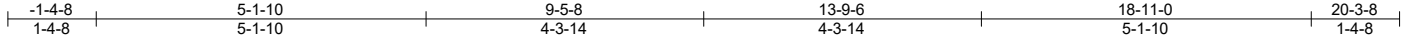
 **WARNING - Verify design parameters and READ NOTES ON THIS AND INCLUDED MITEK REFERENCE PAGE MII-7473 rev. 6/30/2020 BEFORE USE.**  
 Design valid for use only with MiTek® connectors. This design is based only upon parameters shown, and is for an individual building component, not a truss system. Before use, the building designer must verify the applicability of design parameters and properly incorporate this design into the overall building design. Bracing indicated is to prevent buckling of individual truss web and/or chord members only. Additional temporary and permanent bracing is always required for stability and to prevent collapse with possible personal injury and property damage. For general guidance regarding the fabrication, storage, delivery, erection and bracing of trusses and truss systems, see **ANSI/TPI1 Quality Criteria, DSB-89 and BCSI Building Component Safety Information** available from Truss Plate Institute, 2670 Crain Highway, Suite 203 Waldorf, MD 20601



Job	Truss	Truss Type	Qty	Ply	Buildings A-H	U1530776
N0653A	C1	GABLE	15	1		

Alliance Truss (CA), Abbotsford, BC - V2S 7P6, 8.630 s Jul 12 2024 MiTek Industries, Inc. Thu Sep 12 02:47:26 2024 Page 1

ID:hFyjDMxrTsEK\_kgkR0vWWVzFfgc-RfC?PsB70Hq3NSgPqnL8w3ulTXbGKWrcDoi7J4zJC?f



**PRMU20240285 - BLDG B**

Scale = 1:35.9

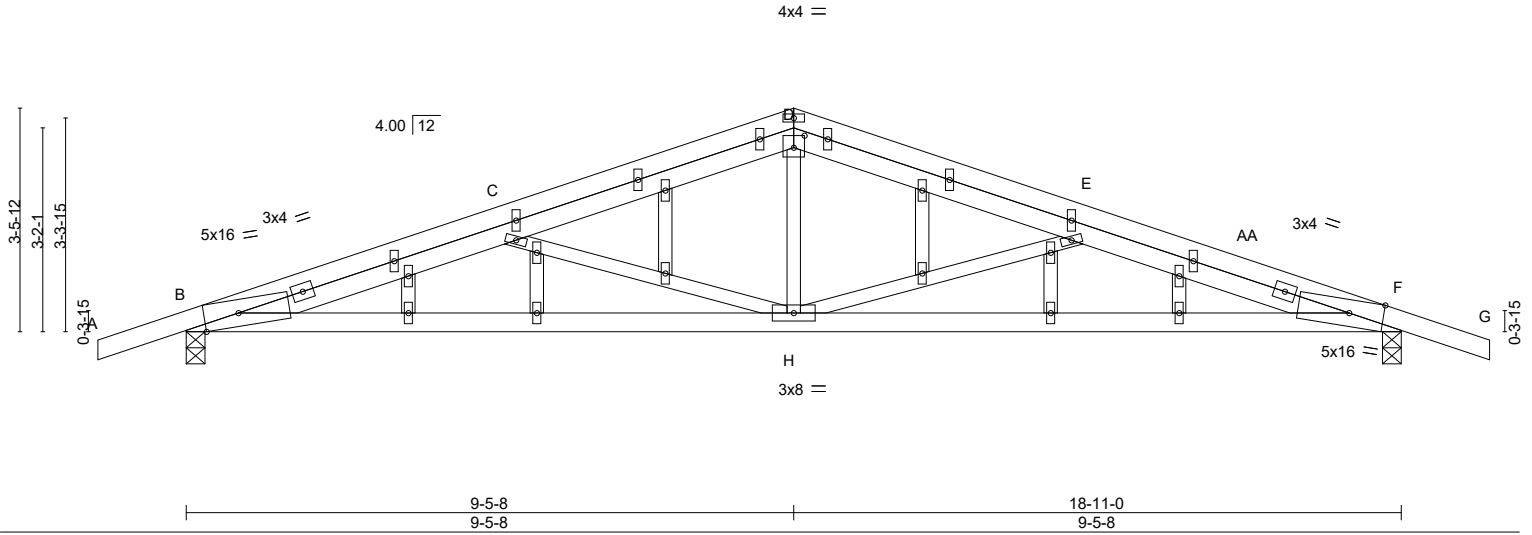


Plate Offsets (X,Y)-- [B:0-6-7,Edge], [D:0-2-0,0-2-4], [F:0-6-7,Edge]

LOADING (psf)	SPACING-	CSI.	DEFL.	PLATES	GRIP
TCLL 25.0 (Roof Snow=25.0)	2-0-0 Plate Grip DOL 1.15	TC 0.41	in (loc) l/defl L/d	MT20	197/144
TCDL 12.0	Lumber DOL 1.15	BC 0.81	Vert(LL) -0.14 H-Z >999 360		
BCLL 0.0 *	Rep Stress Incr YES	WB 0.55	Vert(CT) -0.33 H-W >684 240		
BCDL 10.0	Code IBC2018/TPI2014	Matrix-MS	Horz(CT) 0.06 F n/a n/a		
			Wind(LL) 0.06 H-W >999 240	Weight: 83 lb	FT = 20%

LUMBER-	BRACING-
TOP CHORD 2x4 SPF No.2	TOP CHORD Structural wood sheathing directly applied or 3-3-12 oc purlins.
BOT CHORD 2x4 SPF No.2	BOT CHORD Rigid ceiling directly applied or 10-0-0 oc bracing.
WEBS 2x3 SPF No.2	
OTHERS 2x3 SPF No.2	

**REACTIONS.** (size) B=0-3-8, F=0-3-8  
 Max Horz B=54(LC 10)  
 Max Uplift B=-169(LC 6), F=-137(LC 7)  
 Max Grav B=1105(LC 17), F=1057(LC 18)

**FORCES.** (lb) - Max. Comp./Max. Ten. - All forces 250 (lb) or less except when shown.  
 TOP CHORD B-C=-240/253, C-D=-1609/111, D-E=-1608/113, E-F=-253/243  
 BOT CHORD B-H=-234/2275, F-H=-184/2396  
 WEBS D-H=0/675, E-H=-1018/188, C-H=-932/197

- NOTES-**
- 1) Wind: ASCE 7-16; Vult=115mph (3-second gust) Vasd=91mph; TCDL=4.2psf; BCDL=5.0psf; h=30ft; Ke=1.00; Cat. II; Exp B; Enclosed; MWFRS (envelope) gable end zone; cantilever left and right exposed; end vertical left and right exposed; Lumber DOL=1.33 plate grip DOL=1.33
  - 2) Truss designed for wind loads in the plane of the truss only. For studs exposed to wind (normal to the face), see Standard Industry Gable End Details as applicable, or consult qualified building designer as per ANSI/TPI 1.
  - 3) TCLL: ASCE 7-16; Pf=25.0 psf (Lum DOL=1.15 Plate DOL=1.15); Is=1.0; Rough Cat B; Partially Exp.; Ce=1.0; Cs=1.00; Ct=1.10
  - 4) Unbalanced snow loads have been considered for this design.
  - 5) This truss has been designed for greater of min roof live load of 20.0 psf or 2.00 times flat roof load of 25.0 psf on overhangs non-concurrent with other live loads.
  - 6) All plates are 1.5x4 MT20 unless otherwise indicated.
  - 7) Gable studs spaced at 2-0-0 oc.
  - 8) This truss has been designed for a 10.0 psf bottom chord live load nonconcurrent with any other live loads.
  - 9) \* This truss has been designed for a live load of 20.0psf on the bottom chord in all areas where a rectangle 3-6-0 tall by 2-0-0 wide will fit between the bottom chord and any other members.
  - 10) Provide mechanical connection (by others) of truss to bearing plate capable of withstanding 100 lb uplift at joint(s) except (jt=lb) B=169, F=137.
  - 11) This truss is designed in accordance with the 2018 International Building Code section 2306.1 and referenced standard ANSI/TPI 1.
  - 12) No notches allowed in overhang and 10408 from left end and 10408 from right end or 12" along rake from scarf, whichever is larger. Minimum 1.5x4 tie plates required at 2-0-0 o.c. maximum between the stacking chords. For edge-wise notching, provide at least one tie plate between each notch.



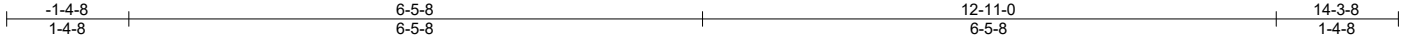
September 12, 2024

Job	Truss	Truss Type	Qty	Ply	Buildings A-H	U1530777
N0653A	D1	GABLE	7	1		

Alliance Truss (CA), Abbotsford, BC - V2S 7P6,

8.630 s Jul 12 2024 MiTek Industries, Inc. Thu Sep 12 02:47:27 2024 Page 1

ID:hFyjDMxrTsEK\_kgkR0vWWVzFgC-RfC?PsB70Hq3NSgPqnL8w3ulTXbGKWrCDoi7J4zJC?f



**PRMU20240285 - BLDG B**

Scale = 1:25.9

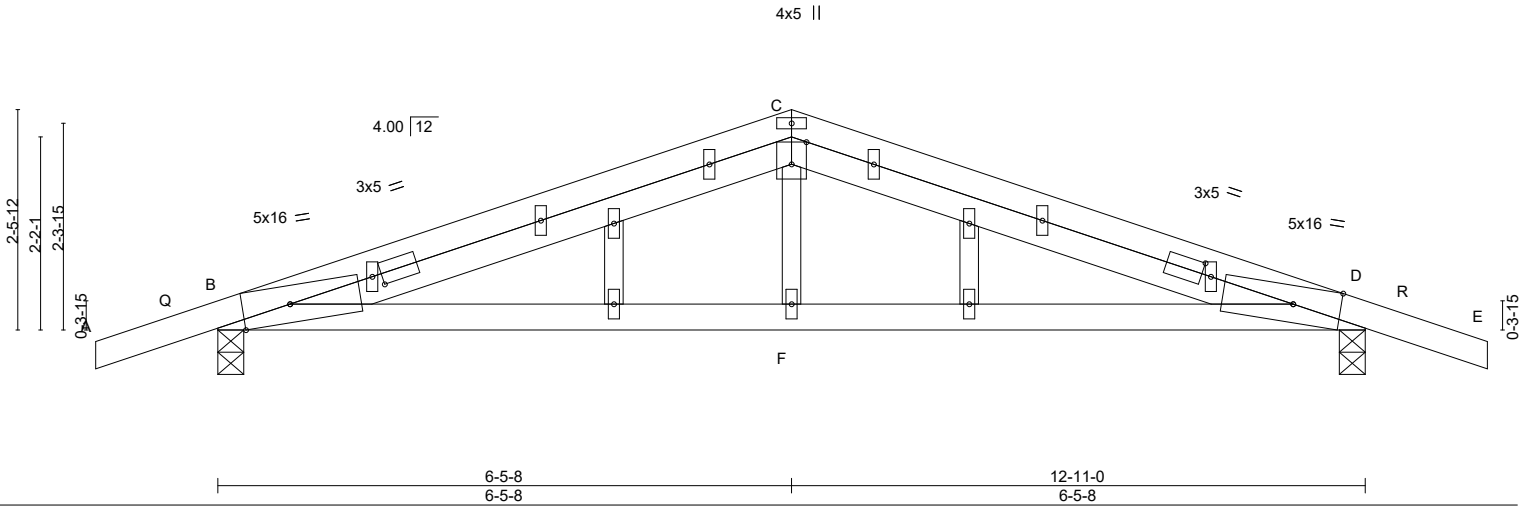


Plate Offsets (X,Y)-- [B:0-6-7,Edge], [B:1-1-0,0-1-8], [C:0-3-0,Edge], [D:1-1-0,0-1-8], [D:0-6-7,Edge]

LOADING (psf)	SPACING-	2-0-0	CSI.	DEFL.	in (loc)	l/defl	L/d	PLATES	GRIP
TCLL 25.0 (Roof Snow=25.0)	Plate Grip DOL 1.15		TC 0.86	Vert(LL) -0.11	F-M	>999	360	MT20	197/144
TCDL 12.0	Lumber DOL 1.15		BC 0.76	Vert(CT) -0.18	F-M	>864	240		
BCLL 0.0 *	Rep Stress Incr YES		WB 0.09	Horz(CT) 0.02	D	n/a	n/a		
BCDL 10.0	Code IBC2018/TPI2014		Matrix-MS	Wind(LL) 0.04	F-M	>999	240	Weight: 50 lb	FT = 20%

**LUMBER-**

TOP CHORD 2x4 SPF No.2  
 BOT CHORD 2x4 SPF No.2  
 WEBS 2x3 SPF No.2  
 OTHERS 2x3 SPF No.2

**BRACING-**

TOP CHORD Structural wood sheathing directly applied or 2-2-0 oc purlins.  
 BOT CHORD Rigid ceiling directly applied or 10-0-0 oc bracing.

**REACTIONS.**

(size) B=0-3-8, D=0-3-8  
 Max Horz B=41(LC 10)  
 Max Uplift B=-141(LC 6), D=-110(LC 7)  
 Max Grav B=974(LC 17), D=822(LC 18)

**FORCES.** (lb) - Max. Comp./Max. Ten. - All forces 250 (lb) or less except when shown.

TOP CHORD B-C=-1260/86, C-D=-1230/91  
 BOT CHORD B-F=-53/1118, D-F=-53/1118  
 WEBS C-F=0/288

**NOTES-**

- 1) Wind: ASCE 7-16; Vult=115mph (3-second gust) Vasd=91mph; TCDL=4.2psf; BCDL=5.0psf; h=30ft; Ke=1.00; Cat. II; Exp B; Enclosed; MWFRS (envelope) gable end zone; cantilever left and right exposed; end vertical left and right exposed; Lumber DOL=1.33 plate grip DOL=1.33
- 2) Truss designed for wind loads in the plane of the truss only. For studs exposed to wind (normal to the face), see Standard Industry Gable End Details as applicable, or consult qualified building designer as per ANSI/TPI 1.
- 3) TCLL: ASCE 7-16; Pf=25.0 psf (Lum DOL=1.15 Plate DOL=1.15); Is=1.0; Rough Cat B; Partially Exp.; Ce=1.0; Cs=1.00; Ct=1.10
- 4) Unbalanced snow loads have been considered for this design.
- 5) This truss has been designed for greater of min roof live load of 20.0 psf or 2.00 times flat roof load of 25.0 psf on overhangs non-concurrent with other live loads.
- 6) All plates are 1.5x4 MT20 unless otherwise indicated.
- 7) Gable studs spaced at 2-0-0 oc.
- 8) This truss has been designed for a 10.0 psf bottom chord live load nonconcurrent with any other live loads.
- 9) \* This truss has been designed for a live load of 20.0psf on the bottom chord in all areas where a rectangle 3-6-0 tall by 2-0-0 wide will fit between the bottom chord and any other members.
- 10) Provide mechanical connection (by others) of truss to bearing plate capable of withstanding 100 lb uplift at joint(s) except (jt=lb) B=141, D=110.
- 11) This truss is designed in accordance with the 2018 International Building Code section 2306.1 and referenced standard ANSI/TPI 1.
- 12) No notches allowed in overhang and 10408 from left end and 10408 from right end or 12" along rake from scarf, whichever is larger. Minimum 1.5x4 tie plates required at 2-0-0 o.c. maximum between the stacking chords. For edge-wise notching, provide at least one tie plate between each notch.



September 12, 2024

**WARNING - Verify design parameters and READ NOTES ON THIS AND INCLUDED MITEK REFERENCE PAGE MII-7473 rev. 6/30/2020 BEFORE USE.**

Design valid for use only with MiTek® connectors. This design is based only upon parameters shown, and is for an individual building component, not a truss system. Before use, the building designer must verify the applicability of design parameters and properly incorporate this design into the overall building design. Bracing indicated is to prevent buckling of individual truss web and/or chord members only. Additional temporary and permanent bracing is always required for stability and to prevent collapse with possible personal injury and property damage. For general guidance regarding the fabrication, storage, delivery, erection and bracing of trusses and truss systems, see

**Safety Information** available from Truss Plate Institute, 2670 Crain Highway, Suite 203 Waldorf, MD 20601

ANSI/TPI1 Quality Criteria, DSB-89 and BCSI Building Component



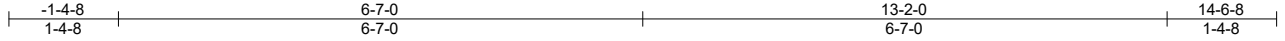
240 Stirling Crescent  
 Bradford, ON. L3Z 4L5

Job	Truss	Truss Type	Qty	Ply	Buildings A-H	U1530841
N0653A	G1	GABLE	20	1		

Alliance Truss (CA), Abbotsford, BC - V2S 7P6,

8.820 s Aug 30 2024 MiTek Industries, Inc. Thu Sep 12 02:48:05 2024 Page 1

ID:hFyjDMxrTsEK\_kgkR0vWWVzFlgc-gWaaIU2cEdidQaGO1AS\_StTKARoq8\_rO205FoSyeVr8



**PRMU20240285 - BLDG B**

4x5 =

Scale = 1:28.9

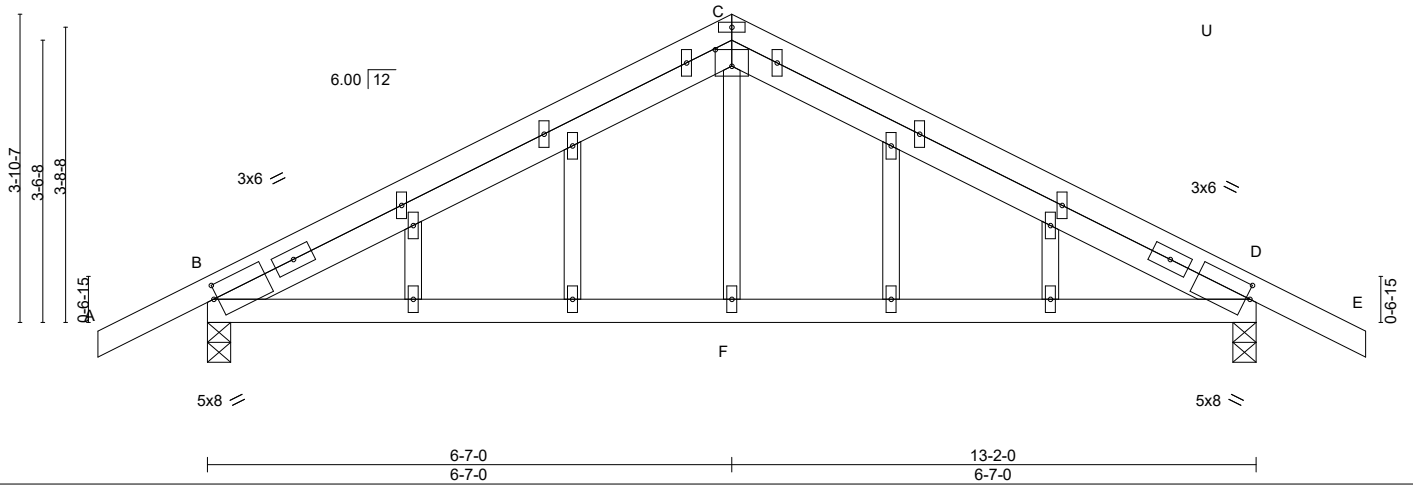


Plate Offsets (X,Y)-- [B:0-0-9,0-2-1], [C:0-2-8,0-2-8], [D:0-0-9,0-2-1]

LOADING (psf)	SPACING-	CSI.	DEFL.	in (loc)	l/defl	L/d	PLATES	GRIP
TCLL 25.0 (Roof Snow=25.0)	2-0-0 Plate Grip DOL 1.15 Lumber DOL 1.15	TC 0.76 BC 0.41 WB 0.08 Matrix-MS	Vert(LL) -0.07 Vert(CT) -0.10 Horz(CT) 0.01 Wind(LL) 0.03	F-T F-T B F-Q	>999 >999 n/a >999	360 240 n/a 240	MT20	197/144
TCDL 12.0	Rep Stress Incr YES Code IBC2018/TPI2014						Weight: 59 lb	FT = 20%
BCLL 0.0 *								
BCDL 10.0								

**LUMBER-**  
TOP CHORD 2x4 SPF No.2  
BOT CHORD 2x4 SPF No.2  
WEBS 2x3 SPF No.2  
OTHERS 2x3 SPF No.2

**BRACING-**  
TOP CHORD Structural wood sheathing directly applied or 4-4-14 oc purlins.  
BOT CHORD Rigid ceiling directly applied or 10-0-0 oc bracing.

**REACTIONS.** (size) B=0-3-8, D=0-3-8  
Max Horz B=52(LC 10)  
Max Uplift B=-90(LC 10), D=-78(LC 11)  
Max Grav B=760(LC 1), D=817(LC 18)

**FORCES.** (lb) - Max. Comp./Max. Ten. - All forces 250 (lb) or less except when shown.  
TOP CHORD B-C=-815/65, C-D=-877/66  
BOT CHORD B-F=-15/662, D-F=-15/662  
WEBS C-F=0/265

- NOTES-**
- 1) Wind: ASCE 7-16; Vult=115mph (3-second gust) Vasd=91mph; TCDL=4.2psf; BCDL=5.0psf; h=30ft; Ke=1.00; Cat. II; Exp B; Enclosed; MWFRS (envelope) gable end zone; cantilever left and right exposed; end vertical left and right exposed; Lumber DOL=1.33 plate grip DOL=1.33
  - 2) Truss designed for wind loads in the plane of the truss only. For studs exposed to wind (normal to the face), see Standard Industry Gable End Details as applicable, or consult qualified building designer as per ANSI/TPI 1.
  - 3) TCLL: ASCE 7-16; Pf=25.0 psf (Lum DOL = 1.15 Plate DOL = 1.15); Is=1.0; Rough Cat B; Partially Exp.; Ce=1.0; Cs=1.00; Ct=1.10
  - 4) Unbalanced snow loads have been considered for this design.
  - 5) This truss has been designed for greater of min roof live load of 18.0 psf or 2.00 times flat roof load of 25.0 psf on overhangs non-concurrent with other live loads.
  - 6) All plates are 1.5x4 MT20 unless otherwise indicated.
  - 7) Gable studs spaced at 2-0-0 oc.
  - 8) This truss has been designed for a 10.0 psf bottom chord live load nonconcurrent with any other live loads.
  - 9) \* This truss has been designed for a live load of 20.0psf on the bottom chord in all areas where a rectangle 3-6-0 tall by 2-0-0 wide will fit between the bottom chord and any other members.
  - 10) Provide mechanical connection (by others) of truss to bearing plate capable of withstanding 90 lb uplift at joint B and 78 lb uplift at joint D.
  - 11) This truss is designed in accordance with the 2018 International Building Code section 2306.1 and referenced standard ANSI/TPI 1.
  - 12) No notches allowed in overhang and 10408 from left end and 10408 from right end or 12" along rake from scarf, whichever is larger. Minimum 1.5x4 tie plates required at 2-0-0 o.c. maximum between the stacking chords. For edge-wise notching, provide at least one tie plate between each notch.



September 12, 2024

**WARNING - Verify design parameters and READ NOTES ON THIS AND INCLUDED MITEK REFERENCE PAGE MII-7473 rev. 6/30/2020 BEFORE USE.**

Design valid for use only with MiTek® connectors. This design is based only upon parameters shown, and is for an individual building component, not a truss system. Before use, the building designer must verify the applicability of design parameters and properly incorporate this design into the overall building design. Bracing indicated is to prevent buckling of individual truss web and/or chord members only. Additional temporary and permanent bracing is always required for stability and to prevent collapse with possible personal injury and property damage. For general guidance regarding the fabrication, storage, delivery, erection and bracing of trusses and truss systems, see

**ANSI/TPI1 Quality Criteria, DSB-89 and BCSI Building Component**

**Safety Information** available from Truss Plate Institute, 2670 Crain Highway, Suite 203 Waldorf, MD 20601



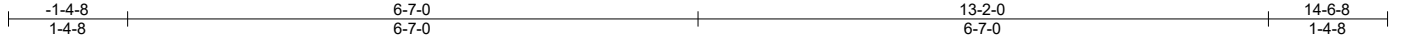
240 Stirling Crescent  
Bradford, ON. L3Z 4L5

Job	Truss	Truss Type	Qty	Ply	Buildings A-H	U1530778
N0653A	G2	Common	14	1		

Alliance Truss (CA), Abbotsford, BC - V2S 7P6,

8.630 s Jul 12 2024 MiTek Industries, Inc. Thu Sep 12 02:47:27 2024 Page 1

ID:hFyjDMxrTsEK\_kgkR0vWWVzF1gc-RfC?PsB70Hq3NSgPqnL8w3ulTXbGKWrCDoi7J4zJC?f



**PRMU20240285 - BLDG B**

Scale = 1:26.6

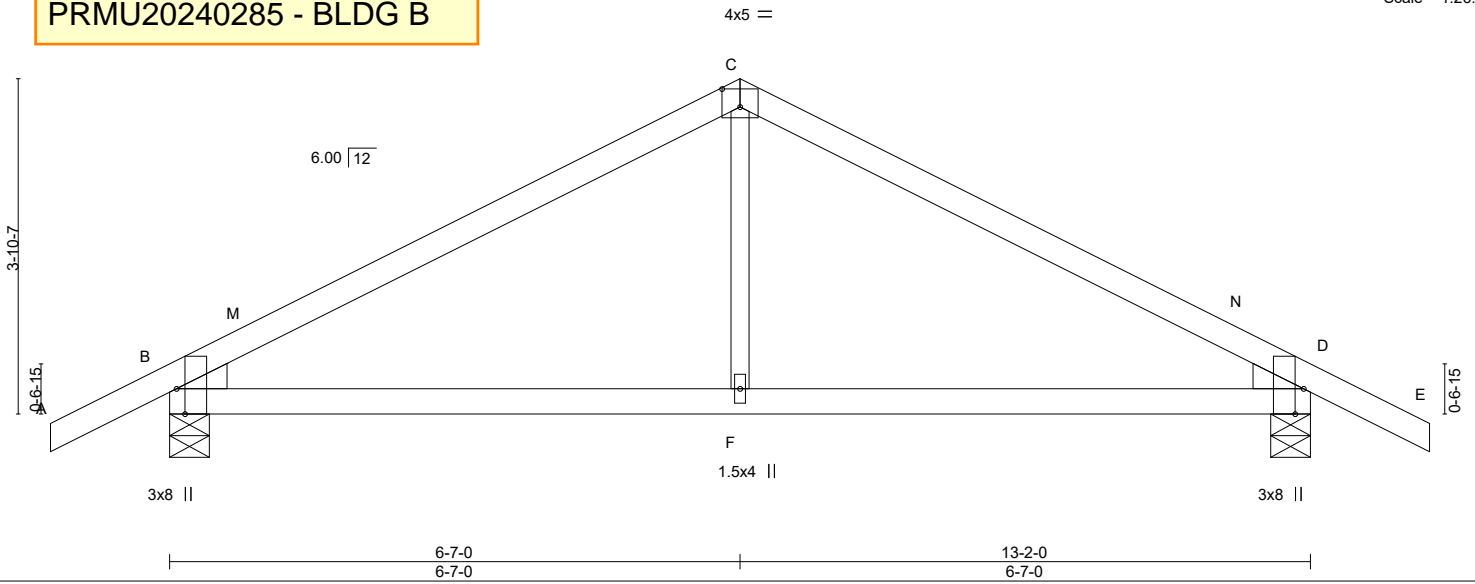


Plate Offsets (X,Y)-- [B:0-3-8,Edge], [C:0-2-8,0-2-8], [D:0-3-8,Edge]

LOADING (psf)		SPACING-		CSI.		DEFL.				PLATES	GRIP	
TCLL	25.0	Plate Grip DOL	1.15	TC	0.79	Vert(LL)	-0.11	F-I	>999	360	MT20	197/144
(Roof Snow=25.0)		Lumber DOL	1.15	BC	0.61	Vert(CT)	-0.15	F-I	>999	240		
TCDL	12.0	Rep Stress Incr	YES	WB	0.09	Horz(CT)	0.02	B	n/a	n/a		
BCLL	0.0 *	Code IBC2018/TPI2014		Matrix-MS		Wind(LL)	0.04	F-I	>999	240	Weight: 40 lb	FT = 20%
BCDL	10.0											

**LUMBER-**

TOP CHORD 2x4 SPF No.2  
 BOT CHORD 2x4 SPF No.2  
 WEBS 2x3 SPF No.2  
 WEDGE  
 Left: 2x4 SPF No.2 , Right: 2x4 SPF No.2

**BRACING-**

TOP CHORD Structural wood sheathing directly applied or 2-9-12 oc purlins.  
 BOT CHORD Rigid ceiling directly applied or 10-0-0 oc bracing.

**REACTIONS.**

(size) B=0-5-8, D=0-5-8  
 Max Horz B=-52(LC 15)  
 Max Uplift B=-75(LC 10), D=-75(LC 11)  
 Max Grav B=817(LC 17), D=817(LC 18)

**FORCES.** (lb) - Max. Comp./Max. Ten. - All forces 250 (lb) or less except when shown.

TOP CHORD B-C=-870/71, C-D=-870/71  
 BOT CHORD B-F=-14/647, D-F=-14/647  
 WEBS C-F=0/289

**NOTES-**

- 1) Wind: ASCE 7-16; Vult=115mph (3-second gust) Vasd=91mph; TCDL=4.2psf; BCDL=5.0psf; h=30ft; Ke=1.00; Cat. II; Exp B; Enclosed; MWFRS (envelope) gable end zone; cantilever left and right exposed ; end vertical left and right exposed; Lumber DOL=1.33 plate grip DOL=1.33
- 2) TCLL: ASCE 7-16; Pf=25.0 psf (Lum DOL=1.15 Plate DOL=1.15); Is=1.0; Rough Cat B; Partially Exp.; Ce=1.0; Cs=1.00; Ct=1.10
- 3) Unbalanced snow loads have been considered for this design.
- 4) This truss has been designed for greater of min roof live load of 18.0 psf or 2.00 times flat roof load of 25.0 psf on overhangs non-concurrent with other live loads.
- 5) This truss has been designed for a 10.0 psf bottom chord live load nonconcurrent with any other live loads.
- 6) \* This truss has been designed for a live load of 20.0psf on the bottom chord in all areas where a rectangle 3-6-0 tall by 2-0-0 wide will fit between the bottom chord and any other members.
- 7) Provide mechanical connection (by others) of truss to bearing plate capable of withstanding 100 lb uplift at joint(s) B, D.
- 8) This truss is designed in accordance with the 2018 International Building Code section 2306.1 and referenced standard ANSI/TPI 1.



September 12, 2024

**WARNING - Verify design parameters and READ NOTES ON THIS AND INCLUDED MITEK REFERENCE PAGE MII-7473 rev. 6/30/2020 BEFORE USE.**

Design valid for use only with MiTek® connectors. This design is based only upon parameters shown, and is for an individual building component, not a truss system. Before use, the building designer must verify the applicability of design parameters and properly incorporate this design into the overall building design. Bracing indicated is to prevent buckling of individual truss web and/or chord members only. Additional temporary and permanent bracing is always required for stability and to prevent collapse with possible personal injury and property damage. For general guidance regarding the fabrication, storage, delivery, erection and bracing of trusses and truss systems, see

**Safety Information** available from Truss Plate Institute, 2670 Crain Highway, Suite 203 Waldorf, MD 20601

ANSI/TPI1 Quality Criteria, DSB-89 and BCSI Building Component



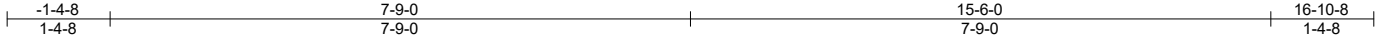
240 Stirling Crescent  
 Bradford, ON. L3Z 4L5

Job	Truss	Truss Type	Qty	Ply	Buildings A-H	U1530842
N0653A	G3	GABLE	2	1		

Alliance Truss (CA), Abbotsford, BC - V2S 7P6,

8.820 s Aug 30 2024 MiTek Industries, Inc. Thu Sep 12 02:48:05 2024 Page 1

ID:hFyjDMxrTsEK\_kgkR0vWWVzFlgc-gWaaIU2cEdidQaGO1AS\_StTSeRts8?BO205FoSyeVr8



Scale = 1:30.8

4x4 =

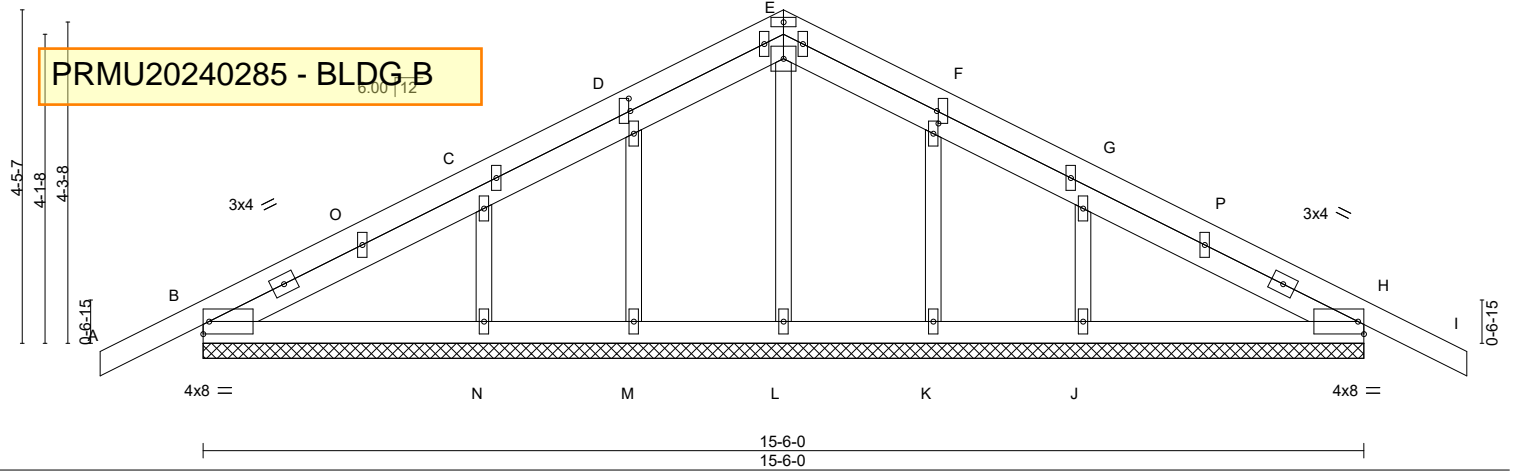


Plate Offsets (X,Y)-- [D:0-2-0,0-0-4], [F:0-2-0,0-0-4]

LOADING (psf)	SPACING-	CSI.	DEFL.	in (loc)	l/defl	L/d	PLATES	GRIP
TCLL 25.0 (Roof Snow=25.0)	2-0-0 Plate Grip DOL 1.15 Lumber DOL 1.15	TC 0.22 BC 0.08 WB 0.06 Matrix-S	Vert(LL) 0.00 Vert(CT) 0.00 Horz(CT) 0.00	H I H	n/r n/r n/a	120 90 n/a	MT20	197/144
TCDL 12.0	Rep Stress Incr YES Code IBC2018/TPI2014						Weight: 70 lb	FT = 20%
BCLL 0.0 *								
BCDL 10.0								

**LUMBER-**

TOP CHORD 2x4 SPF No.2  
BOT CHORD 2x4 SPF No.2  
OTHERS 2x3 SPF No.2

**BRACING-**

TOP CHORD Structural wood sheathing directly applied or 6-0-0 oc purlins.  
BOT CHORD Rigid ceiling directly applied or 10-0-0 oc bracing.

**REACTIONS.**

All bearings 15-6-0.  
(lb) - Max Horz B=-55(LC 11)  
Max Uplift All uplift 100 lb or less at joint(s) B, H, M, N, K, J  
Max Grav All reactions 250 lb or less at joint(s) L, M, K except B=289(LC 17), H=289(LC 18), N=401(LC 17), J=400(LC 18)

**FORCES.** (lb) - Max. Comp./Max. Ten. - All forces 250 (lb) or less except when shown.

WEBS C-N=-321/89, G-J=-320/90

**NOTES-**

- 1) Wind: ASCE 7-16; Vult=115mph (3-second gust) Vasd=91mph; TCDL=4.2psf; BCDL=5.0psf; h=30ft; Ke=1.00; Cat. II; Exp B; Enclosed; MWFRS (envelope) gable end zone; cantilever left and right exposed; end vertical left and right exposed; Lumber DOL=1.33 plate grip DOL=1.33
- 2) Truss designed for wind loads in the plane of the truss only. For studs exposed to wind (normal to the face), see Standard Industry Gable End Details as applicable, or consult qualified building designer as per ANSI/TPI 1.
- 3) TCLL: ASCE 7-16; Pf=25.0 psf (Lum DOL = 1.15 Plate DOL = 1.15); Is=1.0; Rough Cat B; Partially Exp.; Ce=1.0; Cs=1.00; Ct=1.10
- 4) Unbalanced snow loads have been considered for this design.
- 5) This truss has been designed for greater of min roof live load of 18.0 psf or 2.00 times flat roof load of 25.0 psf on overhangs non-concurrent with other live loads.
- 6) All plates are 1.5x4 MT20 unless otherwise indicated.
- 7) Gable requires continuous bottom chord bearing.
- 8) Gable studs spaced at 2-0-0 oc.
- 9) This truss has been designed for a 10.0 psf bottom chord live load nonconcurrent with any other live loads.
- 10) \* This truss has been designed for a live load of 20.0psf on the bottom chord in all areas where a rectangle 3-6-0 tall by 2-0-0 wide will fit between the bottom chord and any other members.
- 11) Provide mechanical connection (by others) of truss to bearing plate capable of withstanding 100 lb uplift at joint(s) B, H, M, N, K, J.
- 12) This truss is designed in accordance with the 2018 International Building Code section 2306.1 and referenced standard ANSI/TPI 1.
- 13) No notches allowed in overhang and 10408 from left end and 10408 from right end or 12" along rake from scarf, whichever is larger. Minimum 1.5x4 tie plates required at 2-0-0 o.c. maximum between the stacking chords. For edge-wise notching, provide at least one tie plate between each notch.



September 12, 2024

**WARNING - Verify design parameters and READ NOTES ON THIS AND INCLUDED MITEK REFERENCE PAGE MII-7473 rev. 6/30/2020 BEFORE USE.**

Design valid for use only with MiTek® connectors. This design is based only upon parameters shown, and is for an individual building component, not a truss system. Before use, the building designer must verify the applicability of design parameters and properly incorporate this design into the overall building design. Bracing indicated is to prevent buckling of individual truss web and/or chord members only. Additional temporary and permanent bracing is always required for stability and to prevent collapse with possible personal injury and property damage. For general guidance regarding the fabrication, storage, delivery, erection and bracing of trusses and truss systems, see

**Safety Information** available from Truss Plate Institute, 2670 Crain Highway, Suite 203 Waldorf, MD 20601

ANSI/TPI1 Quality Criteria, DSB-89 and BCSI Building Component



240 Stirling Crescent  
Bradford, ON. L3Z 4L5

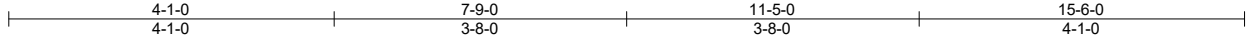


Job N0653A	Truss G4	Truss Type Common Girder	Qty 2	Ply 2	Buildings A-H Job Reference (optional)	U1530843
---------------	-------------	-----------------------------	----------	----------	---	----------

Alliance Truss (CA), Abbotsford, BC - V2S 7P6,

8.820 s Aug 30 2024 MiTek Industries, Inc. Thu Sep 12 02:48:06 2024 Page 1

ID:hFyjDMxrTsEK\_kgkR0vWWVzFlgc-8i8yvq3F?xqU2krabuzD?50Y?r6ktDIYHgrpKuyeVr7



**PRMU20240285 - BLDG B**

Scale = 1:28.9

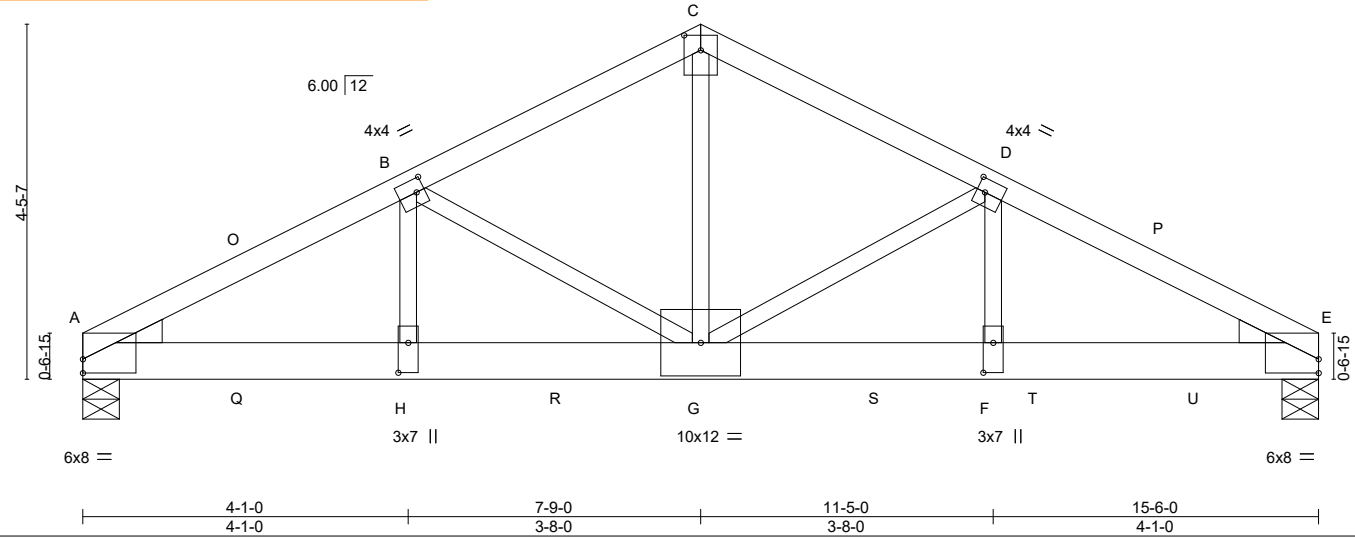


Plate Offsets (X,Y)-- [A:0-0-0,0-2-1], [B:0-1-4,0-2-0], [C:0-2-4,0-2-8], [D:0-1-4,0-2-0], [E:Edge,0-2-1], [F:0-4-8,0-1-8], [H:0-4-8,0-1-8]

<b>LOADING</b> (psf)	<b>SPACING-</b>	<b>CSI.</b>	<b>DEFL.</b>	<b>PLATES</b>	<b>GRIP</b>
TCLL 25.0 (Roof Snow=25.0)	2-0-0 Plate Grip DOL 1.15 Lumber DOL 1.15 Rep Stress Incr NO Code IBC2018/TPI2014	TC 0.56 BC 0.55 WB 1.00 Matrix-MS	in (loc) l/defl L/d Vert(LL) -0.11 G-H >999 360 Vert(CT) -0.20 G-H >917 240 Horz(CT) 0.04 E n/a n/a Wind(LL) 0.06 G-H >999 240	MT20	197/144
TCDL 12.0				Weight: 124 lb	FT = 20%
BCLL 0.0 *					
BCDL 10.0					

**LUMBER-**  
TOP CHORD 2x4 SPF No.2  
BOT CHORD 2x6 SPF 2100F 1.8E  
WEBS 2x3 SPF No.2  
WEDGE  
Left: 2x4 SP No.3 , Right: 2x4 SP No.3

**BRACING-**  
TOP CHORD Structural wood sheathing directly applied or 3-7-5 oc purlins.  
BOT CHORD Rigid ceiling directly applied or 10-0-0 oc bracing.

**REACTIONS.** (size) A=0-5-8, E=0-5-8  
Max Horz A=51(LC 29)  
Max Uplift A=614(LC 10), E=649(LC 11)  
Max Grav A=5531(LC 3), E=5841(LC 4)

**FORCES.** (lb) - Max. Comp./Max. Ten. - All forces 250 (lb) or less except when shown.  
TOP CHORD A-B=-9488/1055, B-C=-6914/792, C-D=-6916/792, D-E=-9448/1051  
BOT CHORD A-H=-953/8416, G-H=-953/8416, F-G=-900/8388, E-F=-900/8388  
WEBS C-G=-638/5829, D-G=-2638/347, D-F=-222/2235, B-G=-2670/350, B-H=-228/2291

- NOTES-**
- 2-ply truss to be connected together with 10d (0.131"x3") nails as follows:  
Top chords connected as follows: 2x4 - 1 row at 0-4-0 oc.  
Bottom chords connected as follows: 2x6 - 2 rows staggered at 0-6-0 oc.  
Webs connected as follows: 2x3 - 1 row at 0-9-0 oc.
  - All loads are considered equally applied to all plies, except if noted as front (F) or back (B) face in the LOAD CASE(S) section. Ply to ply connections have been provided to distribute only loads noted as (F) or (B), unless otherwise indicated.
  - Wind: ASCE 7-16; Vult=115mph (3-second gust) Vasd=91mph; TCDL=4.2psf; BCDL=5.0psf; h=30ft; Ke=1.00; Cat. II; Exp B; Enclosed; MWFRS (envelope) gable end zone; cantilever left exposed; end vertical left exposed; Lumber DOL=1.33 plate grip DOL=1.33
  - TCLL: ASCE 7-16; Pf=25.0 psf (Lum DOL = 1.15 Plate DOL = 1.15); Is=1.0; Rough Cat B; Partially Exp.; Ce=1.0; Cs=1.00; Ct=1.10
  - Unbalanced snow loads have been considered for this design.
  - This truss has been designed for a 10.0 psf bottom chord live load nonconcurrent with any other live loads.
  - \* This truss has been designed for a live load of 20.0psf on the bottom chord in all areas where a rectangle 3-6-0 tall by 2-0-0 wide will fit between the bottom chord and any other members.
  - Provide mechanical connection (by others) of truss to bearing plate capable of withstanding 100 lb uplift at joint(s) except (jt=lb) A=614, E=649.
  - This truss is designed in accordance with the 2018 International Building Code section 2306.1 and referenced standard ANSI/TPI 1.
  - Hanger(s) or other connection device(s) shall be provided sufficient to support concentrated load(s) 1428 lb down and 174 lb up at 2-0-4, 1428 lb down and 174 lb up at 4-0-4, 1428 lb down and 174 lb up at 6-0-4, 1428 lb down and 174 lb up at 8-0-4, 1428 lb down and 174 lb up at 10-0-4, and 1428 lb down and 174 lb up at 12-0-4, and 1428 lb down and 174 lb up at 14-0-4 on bottom chord. The design/selection of such connection device(s) is the responsibility of others.



September 12, 2024

**LOAD CASE(S)** Standard  
Continued on page 2

**WARNING - Verify design parameters and READ NOTES ON THIS AND INCLUDED MITEK REFERENCE PAGE MII-7473 rev. 6/30/2020 BEFORE USE.**  
Design valid for use only with MiTek® connectors. This design is based only upon parameters shown, and is for an individual building component, not a truss system. Before use, the building designer must verify the applicability of design parameters and properly incorporate this design into the overall building design. Bracing indicated is to prevent buckling of individual truss web and/or chord members only. Additional temporary and permanent bracing is always required for stability and to prevent collapse with possible personal injury and property damage. For general guidance regarding the fabrication, storage, delivery, erection and bracing of trusses and truss systems, see **ANSI/TPI1 Quality Criteria, DSB-89 and BCSI Building Component Safety Information** available from Truss Plate Institute, 2670 Crain Highway, Suite 203 Waldorf, MD 20601



Job N0653A	Truss G4	Truss Type Common Girder	Qty 2	Ply <b>2</b>	Buildings A-H Job Reference (optional)	U1530843
---------------	-------------	-----------------------------	----------	-----------------	---	----------

Alliance Truss (CA), Abbotsford, BC - V2S 7P6,

8.820 s Aug 30 2024 MiTek Industries, Inc. Thu Sep 12 02:48:06 2024 Page 2  
ID:hFyjDMxrTsEK\_kgkR0vWWWzFIgc-8i8yvq3F?xqU2krabuzD?50Y?r6ktDIYHgrpKuyeVr7

**LOAD CASE(S)** Standard

1) Dead + Snow (balanced): Lumber Increase=1.15, Plate Increase=1.15

Uniform Loads (lb)

**PRMU20240285 - BLDG B**

Vert: A-C=-74, C-E=-74, F-L=-20

Concentrated Loads (lb)

Vert: G=-1387(B) H=-1387(B) Q=-1387(B) R=-1387(B) S=-1387(B) T=-1387(B) U=-1387(B)

**WARNING** - Verify design parameters and READ NOTES ON THIS AND INCLUDED MITEK REFERENCE PAGE MII-7473 rev. 6/30/2020 BEFORE USE.

Design valid for use only with MiTek® connectors. This design is based only upon parameters shown, and is for an individual building component, not a truss system. Before use, the building designer must verify the applicability of design parameters and properly incorporate this design into the overall building design. Bracing indicated is to prevent buckling of individual truss web and/or chord members only. Additional temporary and permanent bracing is always required for stability and to prevent collapse with possible personal injury and property damage. For general guidance regarding the fabrication, storage, delivery, erection and bracing of trusses and truss systems, see

**ANSI/TPI1 Quality Criteria, DSB-89 and BCSI Building Component**

**Safety Information** available from Truss Plate Institute, 2670 Crain Highway, Suite 203 Waldorf, MD 20601



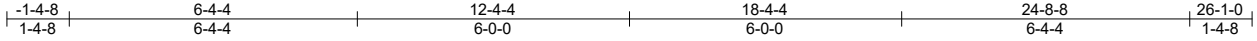
240 Stirling Crescent  
Bradford, ON. L3Z 4L5

Job	Truss	Truss Type	Qty	Ply	Buildings A-H	U1530779
N0653A	H1	GABLE	7	1		

Alliance Truss (CA), Abbotsford, BC - V2S 7P6,

8.630 s Jul 12 2024 MiTek Industries, Inc. Thu Sep 12 02:47:29 2024 Page 1

ID:hFyjDMxrTsEK\_kgkR0vWWWzFgC-RfC?PsB70Hq3NSgPqnL8w3ulTXbGKWrCDoi7J4zJC?F



**PRMU20240285 - BLDG B**

4x5 II

Scale = 1:50.8

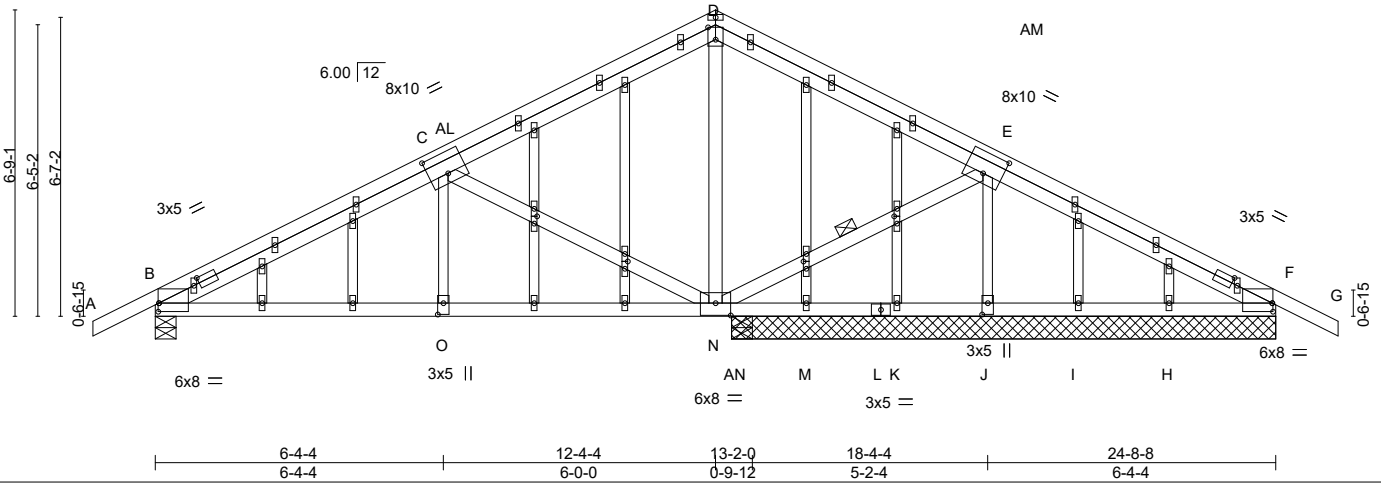


Plate Offsets (X,Y)-- [B:0-0-3,0-2-4], [B:0-11-15,0-1-8], [C:0-5-0,0-5-8], [D:0-3-4,0-2-0], [E:0-5-0,0-5-8], [F:0-11-15,0-1-8], [F:0-0-3,0-2-4], [J:0-3-0,0-1-8], [N:0-4-0,0-3-4], [O:0-3-0,0-1-8], [P:0-1-15,0-0-12], [S:0-1-15,0-0-12], [AA:0-1-15,0-0-12], [AC:0-1-15,0-0-12]

<b>LOADING</b> (psf)	<b>SPACING-</b>	<b>CSI.</b>	<b>DEFL.</b>	in (loc)	l/defl	L/d	<b>PLATES</b>	<b>GRIP</b>
TCLL 25.0 (Roof Snow=25.0)	2-0-0	TC 0.88	Vert(LL) -0.08	N-O	>999	360	MT20	197/144
TCDL 12.0	Plate Grip DOL 1.15	BC 0.66	Vert(CT) -0.09	O-AH	>999	240		
BCLL 0.0 *	Lumber DOL 1.15	WB 0.92	Horz(CT) 0.04	J	n/a	n/a		
BCDL 10.0	Rep Stress Incr YES	Matrix-MS	Wind(LL) 0.11	O-AH	>999	240	Weight: 139 lb	FT = 20%
	Code IBC2018/TPI2014							

**LUMBER-**

TOP CHORD 2x4 SPF 2100F 1.8E \*Except\*  
 B-D,D-F: 2x4 SPF No.2  
 BOT CHORD 2x4 SPF 2100F 1.8E  
 WEBS 2x4 SPF No.2 \*Except\*  
 E-J,C-O: 2x3 SPF No.2  
 OTHERS 2x3 SPF No.2

**BRACING-**

TOP CHORD Structural wood sheathing directly applied or 2-11-6 oc purlins.  
 BOT CHORD Rigid ceiling directly applied or 4-4-1 oc bracing.  
 WEBS 1 Row at midpt E-N

**REACTIONS.**

All bearings 12-0-0 except (jt=length) B=0-5-8.  
 (lb) - Max Horz B=153(LC 49)  
 Max Uplift All uplift 100 lb or less at joint(s) M except B=957(LC 40), N=1988(LC 40), J=1528(LC 43), I=111(LC 55), H=469(LC 42), F=1647(LC 43)  
 Max Grav All reactions 250 lb or less at joint(s) M, K, I except B=1208(LC 29), N=2470(LC 29), N=1088(LC 1), J=1567(LC 38), H=533(LC 39), F=1690(LC 52), F=294(LC 1)

**FORCES.** (lb) - Max. Comp./Max. Ten. - All forces 250 (lb) or less except when shown.

TOP CHORD B-C=2014/1784, C-D=1270/1422, D-E=2878/2936, E-F=3031/3017  
 BOT CHORD B-O=1700/1900, N-O=1700/1900, M-N=3202/3239, K-M=2389/2423, J-K=1401/1438,  
 I-J=560/597, H-I=1549/1585, F-H=2350/2387  
 WEBS D-N=1405/1227, E-N=1655/1672, E-J=1556/1573, C-N=858/367, C-O=77/261

**NOTES-**

- 1) Wind: ASCE 7-16; Vult=115mph (3-second gust) Vasd=91mph; TCDL=4.2psf; BCDL=5.0psf; h=30ft; Ke=1.00; Cat. II; Exp B; Enclosed; MWFRS (envelope) gable end zone; cantilever left and right exposed; end vertical left and right exposed; Lumber DOL=1.33 plate grip DOL=1.33
- 2) Truss designed for wind loads in the plane of the truss only. For studs exposed to wind (normal to the face), see Standard Industry Gable End Details as applicable, or consult qualified building designer as per ANSI/TPI 1.
- 3) TCLL: ASCE 7-16; Pf=25.0 psf (Lum DOL=1.15 Plate DOL=1.15); Is=1.0; Rough Cat B; Partially Exp.; Ce=1.0; Cs=1.00; Ct=1.10
- 4) Unbalanced snow loads have been considered for this design.
- 5) This truss has been designed for greater of min roof live load of 18.0 psf or 2.00 times flat roof load of 25.0 psf on overhangs non-concurrent with other live loads.
- 6) All plates are 1.5x4 MT20 unless otherwise indicated.
- 7) Gable studs spaced at 2-0-0 oc.
- 8) This truss has been designed for a 10.0 psf bottom chord live load nonconcurrent with any other live loads.
- 9) \* This truss has been designed for a live load of 20.0psf on the bottom chord in all areas where a rectangle 3-6-0 tall by 2-0-0 wide will fit between the bottom chord and any other members.
- 10) Provide mechanical connection (by others) of truss to bearing plate capable of withstanding 100 lb uplift at joint(s) M except (jt=lb) B=957, N=1988, J=1528, I=111, H=469, F=1647, F=1647.
- 11) This truss is designed in accordance with the 2018 International Building Code section 2306.1 and referenced standard ANSI/TPI



September 12, 2024

Continued on page 2

**WARNING - Verify design parameters and READ NOTES ON THIS AND INCLUDED MITEK REFERENCE PAGE MII-7473 rev. 6/30/2020 BEFORE USE.**

Design valid for use only with MiTek® connectors. This design is based only upon parameters shown, and is for an individual building component, not a truss system. Before use, the building designer must verify the applicability of design parameters and properly incorporate this design into the overall building design. Bracing indicated is to prevent buckling of individual truss web and/or chord members only. Additional temporary and permanent bracing is always required for stability and to prevent collapse with possible personal injury and property damage. For general guidance regarding the fabrication, storage, delivery, erection and bracing of trusses and truss systems, see

**ANSI/TPI1 Quality Criteria, DSB-89 and BCSI Building Component**

**Safety Information** available from Truss Plate Institute, 2670 Crain Highway, Suite 203 Waldorf, MD 20601



240 Stirling Crescent  
 Bradford, ON. L3Z 4L5

Job	Truss	Truss Type	Qty	Ply	Buildings A-H
N0653A	H1	GABLE	7	1	U1530779

Alliance Truss (CA), Abbotsford, BC - V2S 7P6,

8.630 s Jul 12 2024 MiTek Industries, Inc. Thu Sep 12 02:47:29 2024 Page 2  
 ID:hFyjDMxrTEK\_kgkR0vWWVzFgc-RfC?PsB70Hq3NSgPqnL8w3ulTXbGKWrCDoi7J4zJC?f

**NOTES-**

- 12) This truss has been designed for a total drag load of 240 plf. Lumber DOL=(1.33) Plate grip DOL=(1.33) Connect truss to resist drag loads along bottom chord from 12'-8-8 to 24'-8-8 for 494 2 plf
- 13) No notches allowed in chords and 10408 from left end and 10408 from right end or 12" along rake from scarf, whichever is larger. Minimum 1.5x4 tie plates required at 2'-0" o.c. maximum between tie stacking chords. For edge-wise notching, provide at least one tie plate between each notch.

PRMU20240285 - BLDG B

**WARNING - Verify design parameters and READ NOTES ON THIS AND INCLUDED MITEK REFERENCE PAGE MII-7473 rev. 6/30/2020 BEFORE USE.**

Design valid for use only with MiTek® connectors. This design is based only upon parameters shown, and is for an individual building component, not a truss system. Before use, the building designer must verify the applicability of design parameters and properly incorporate this design into the overall building design. Bracing indicated is to prevent buckling of individual truss web and/or chord members only. Additional temporary and permanent bracing is always required for stability and to prevent collapse with possible personal injury and property damage. For general guidance regarding the fabrication, storage, delivery, erection and bracing of trusses and truss systems, see

**Safety Information** available from Truss Plate Institute, 2670 Crain Highway, Suite 203 Waldorf, MD 20601

**ANSI/TPI1 Quality Criteria, DSB-89 and BCSI Building Component**

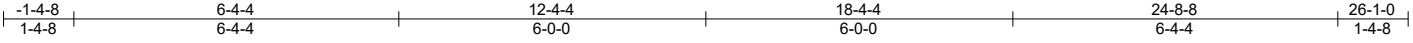


240 Stirling Crescent  
 Bradford, ON. L3Z 4L5

Job	Truss	Truss Type	Qty	Ply	Buildings A-H	U1530780
N0653A	H2	Common	7	1		

Alliance Truss (CA), Abbotsford, BC - V2S 7P6, 8.630 s Jul 12 2024 MiTek Industries, Inc. Thu Sep 12 02:47:29 2024 Page 1

ID:hFyjDMxrTsEK\_kgkR0vWWVzFfgc-RfC?PsB70Hq3NSgPqnL8w3ulTXbGKWrCDoi7J4zJC?f



Scale = 1:45.0

4x5 =

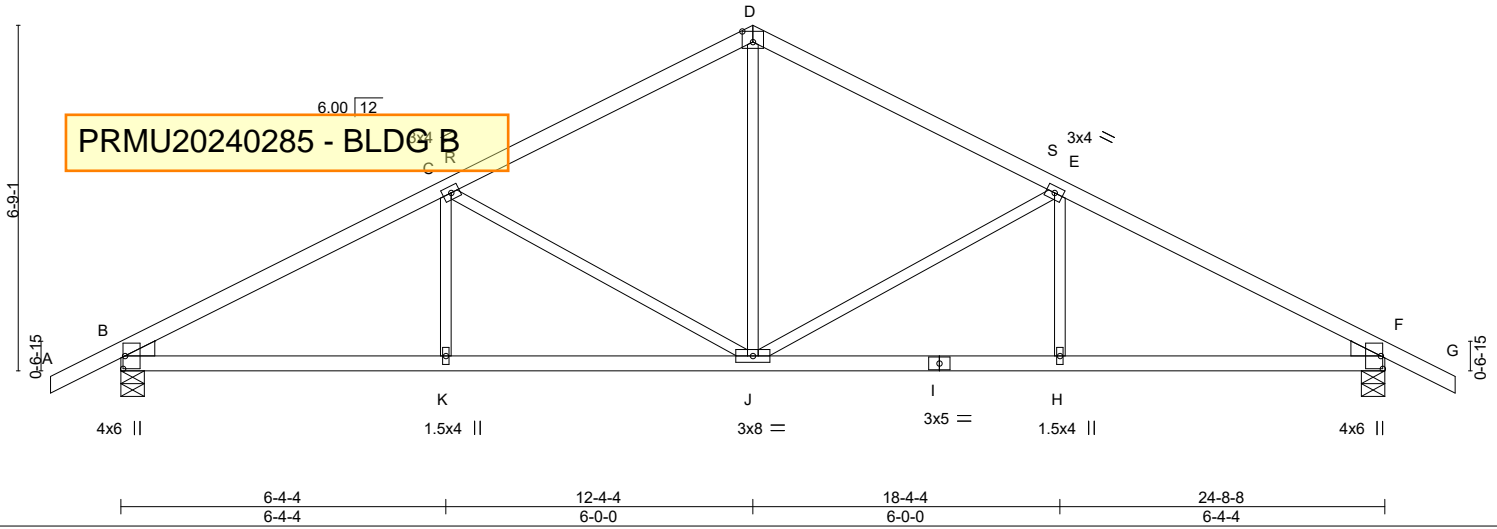


Plate Offsets (X,Y)-- [B:0-3-0,0-0-7], [D:0-2-8,0-2-8], [F:0-3-0,0-0-7]

LOADING (psf)	SPACING-	CSI.	DEFL.	in (loc)	l/defl	L/d	PLATES	GRIP
TCLL 25.0 (Roof Snow=25.0)	2-0-0 Plate Grip DOL 1.15 Lumber DOL 1.15	TC 0.81 BC 0.62 WB 0.83 Matrix-MS	Vert(LL) -0.09 Vert(CT) -0.17 Horz(CT) 0.06 Wind(LL) 0.04	J-K J-K F H-J	>999 >999 n/a >999	360 240 n/a 240	MT20	197/144
TCDL 12.0	Code IBC2018/TPI2014						Weight: 86 lb	FT = 20%
BCLL 0.0 *	Rep Stress Incr YES							
BCDL 10.0								

**LUMBER-**

TOP CHORD 2x4 SPF No.2  
 BOT CHORD 2x4 SPF No.2  
 WEBS 2x3 SPF No.2  
 WEDGE  
 Left: 2x4 SPF No.2, Right: 2x4 SPF No.2

**BRACING-**

TOP CHORD Structural wood sheathing directly applied or 2-2-0 oc purlins.  
 BOT CHORD Rigid ceiling directly applied or 10-0-0 oc bracing.

**REACTIONS.**

(size) B=0-5-8, F=0-5-8  
 Max Horz B=-90(LC 11)  
 Max Uplift B=-119(LC 10), F=-119(LC 11)  
 Max Grav B=1287(LC 17), F=1287(LC 18)

**FORCES.** (lb) - Max. Comp./Max. Ten. - All forces 250 (lb) or less except when shown.

TOP CHORD B-C=-1988/155, C-D=-1373/137, D-E=-1373/137, E-F=-1988/155  
 BOT CHORD B-K=-152/1701, J-K=-152/1701, H-J=-62/1701, F-H=-62/1701  
 WEBS D-J=-23/716, E-J=-705/149, C-J=-705/149

**NOTES-**

- 1) Wind: ASCE 7-16; Vult=115mph (3-second gust) Vasd=91mph; TCDL=4.2psf; BCDL=5.0psf; h=30ft; Ke=1.00; Cat. II; Exp B; Enclosed; MWFRS (envelope) gable end zone; cantilever left and right exposed; end vertical left and right exposed; Lumber DOL=1.33 plate grip DOL=1.33
- 2) TCLL: ASCE 7-16; Pf=25.0 psf (Lum DOL=1.15 Plate DOL=1.15); Is=1.0; Rough Cat B; Partially Exp.; Ce=1.0; Cs=1.00; Ct=1.10
- 3) Unbalanced snow loads have been considered for this design.
- 4) This truss has been designed for greater of min roof live load of 18.0 psf or 2.00 times flat roof load of 25.0 psf on overhangs non-concurrent with other live loads.
- 5) This truss has been designed for a 10.0 psf bottom chord live load nonconcurrent with any other live loads.
- 6) \* This truss has been designed for a live load of 20.0psf on the bottom chord in all areas where a rectangle 3-6-0 tall by 2-0-0 wide will fit between the bottom chord and any other members.
- 7) Provide mechanical connection (by others) of truss to bearing plate capable of withstanding 100 lb uplift at joint(s) except (jt=lb) B=119, F=119.
- 8) This truss is designed in accordance with the 2018 International Building Code section 2306.1 and referenced standard ANSI/TPI 1.



September 12, 2024

**WARNING - Verify design parameters and READ NOTES ON THIS AND INCLUDED MITEK REFERENCE PAGE MII-7473 rev. 6/30/2020 BEFORE USE.**

Design valid for use only with MiTek® connectors. This design is based only upon parameters shown, and is for an individual building component, not a truss system. Before use, the building designer must verify the applicability of design parameters and properly incorporate this design into the overall building design. Bracing indicated is to prevent buckling of individual truss web and/or chord members only. Additional temporary and permanent bracing is always required for stability and to prevent collapse with possible personal injury and property damage. For general guidance regarding the fabrication, storage, delivery, erection and bracing of trusses and truss systems, see

**Safety Information** available from Truss Plate Institute, 2670 Crain Highway, Suite 203 Waldorf, MD 20601



240 Stirling Crescent  
 Bradford, ON. L3Z 4L5

# PRMU20240285 - BLDG B

Job N0653A	Truss H3	Truss Type Common Girder	Qty 7	Ply 2	Buildings A-H Job Reference (optional)	U1530781
---------------	-------------	-----------------------------	----------	----------	---	----------

Alliance Truss (CA), Abbotsford, BC - V2S 7P6, 8.630 s Jul 12 2024 MiTek Industries, Inc. Thu Sep 12 02:47:31 2024 Page 1

ID:hFyjDMxrTsEK\_kgkR0vWWVzFfgC-RfC?PsB70Hq3NSgPqnL8w3ulTXbGKWrCDoi7J4zJC?f



6x8 ||

Scale = 1:47.3

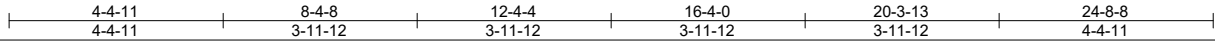
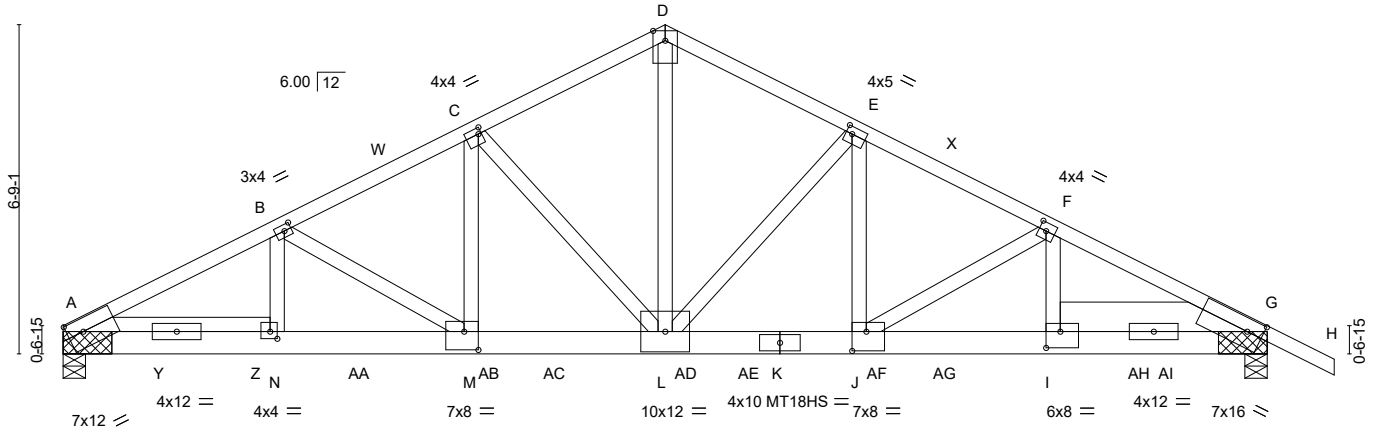


Plate Offsets (X,Y)-- [A:0-3-13,0-3-2], [B:0-1-12,0-1-8], [C:0-0-12,0-1-8], [E:0-1-8,0-1-12], [F:0-1-12,0-2-0], [G:0-3-13,0-3-2], [I:0-3-8,0-4-0], [J:0-3-8,0-4-12], [M:0-3-8,0-4-8], [N:0-1-12,0-1-12]

<b>LOADING</b> (psf)	<b>SPACING-</b>	<b>CSI.</b>	<b>DEFL.</b>	in (loc)	l/defl	L/d	<b>PLATES</b>	<b>GRIP</b>
TCLL 25.0 (Roof Snow=25.0)	2-0-0 Plate Grip DOL 1.15 Lumber DOL 1.15	TC 0.93 BC 0.63	Vert(LL) -0.21 Vert(CT) -0.39	L-M	>999	360	MT20	197/144
TCDL 12.0	Rep Stress Incr NO	WB 0.97	Horz(CT) 0.08	G	n/a	n/a	MT18HS	220/195
BCLL 0.0 *	Code IBC2018/TPI2014	Matrix-MS	Wind(LL) 0.11	L-M	>999	240		
BCDL 10.0							Weight: 302 lb	FT = 20%

**LUMBER-**

TOP CHORD 2x4 SPF No.2 \*Except\*  
D-H: 2x4 SPF 2100F 1.8E  
BOT CHORD 2x6 DF 2400F 2.0E  
WEBS 2x4 SPF No.2  
SLIDER Left 2x4 SPF No.2 3-10-0, Right 2x8 SPF 1950F 1.7E 3-10-0

**BRACING-**

TOP CHORD Structural wood sheathing directly applied or 2-1-4 oc purlins.  
BOT CHORD Rigid ceiling directly applied or 10-0-0 oc bracing.

**REACTIONS.**

(size) A=(0-5-8 + bearing block) (req. 0-6-3), G=(0-5-8 + bearing block) (req. 0-6-13)  
Max Horz A=-100(LC 15)  
Max Uplift A=-865(LC 10), G=-971(LC 11)  
Max Grav A=7891(LC 3), G=8683(LC 4)

**FORCES.**

(lb) - Max. Comp./Max. Ten. - All forces 250 (lb) or less except when shown.  
TOP CHORD A-B=-13476/1480, B-C=-11809/1305, C-D=-9158/1041, D-E=-9156/1042, E-F=-11891/1312, F-G=-14169/1551  
BOT CHORD A-N=-987/8499, M-N=-1349/11987, L-M=-1139/10537, J-L=-1079/10604, I-J=-1326/12642, G-I=-855/8046  
WEBS D-L=-861/7872, E-L=-3721/471, E-J=-381/3627, F-J=-2380/315, F-I=-223/2040, C-L=-3621/460, C-M=-368/3496, B-M=-1695/245, B-N=-156/1470

**NOTES-**

- 2-ply truss to be connected together with 10d (0.131"x3") nails as follows:  
Top chords connected as follows: 2x4 - 1 row at 0-3-0 oc.  
Bottom chords connected as follows: 2x6 - 2 rows staggered at 0-5-0 oc.  
Webs connected as follows: 2x4 - 1 row at 0-9-0 oc.
- All loads are considered equally applied to all plies, except if noted as front (F) or back (B) face in the LOAD CASE(S) section. Ply to ply connections have been provided to distribute only loads noted as (F) or (B), unless otherwise indicated.
- 2x6 DF 2400F 2.0E bearing block 12" long at jt. A attached to each face with 3 rows of 10d (0.131"x3") nails spaced 3" o.c. 12 Total fasteners per block. Bearing is assumed to be SPF No.2.
- 2x6 DF 2400F 2.0E bearing block 12" long at jt. G attached to each face with 3 rows of 10d (0.131"x3") nails spaced 3" o.c. 12 Total fasteners per block. Bearing is assumed to be SPF No.2.
- Wind: ASCE 7-16; Vult=115mph (3-second gust) Vasd=91mph; TCDL=4.2psf; BCDL=5.0psf; h=30ft; Ke=1.00; Cat. II; Exp B; Enclosed; MWFRS (envelope) gable end zone; cantilever left and right exposed; end vertical left and right exposed; Lumber DOL=1.33 plate grip DOL=1.33
- TCLL: ASCE 7-16; Pf=25.0 psf (Lum DOL=1.15 Plate DOL=1.15); Is=1.0; Rough Cat B; Partially Exp.; Ce=1.0; Cs=1.00; Ct=1.10
- Unbalanced snow loads have been considered for this design.
- This truss has been designed for greater of min roof live load of 18.0 psf or 2.00 times flat roof load of 25.0 psf on overhangs non-concurrent with other live loads.
- All plates are MT20 plates unless otherwise indicated.
- This truss has been designed for a 10.0 psf bottom chord live load nonconcurrent with any other live loads.



September 12, 2024

Continued on page 2

**WARNING - Verify design parameters and READ NOTES ON THIS AND INCLUDED MITEK REFERENCE PAGE MII-7473 rev. 6/30/2020 BEFORE USE.**

Design valid for use only with MiTek® connectors. This design is based only upon parameters shown, and is for an individual building component, not a truss system. Before use, the building designer must verify the applicability of design parameters and properly incorporate this design into the overall building design. Bracing indicated is to prevent buckling of individual truss web and/or chord members only. Additional temporary and permanent bracing is always required for stability and to prevent collapse with possible personal injury and property damage. For general guidance regarding the fabrication, storage, delivery, erection and bracing of trusses and truss systems, see

ANSI/TPI1 Quality Criteria, DSB-89 and BCSI Building Component

Safety Information available from Truss Plate Institute, 2670 Crain Highway, Suite 203 Waldorf, MD 20601



240 Stirling Crescent  
Bradford, ON. L3Z 4L5

Job	Truss	Truss Type	Qty	Ply	Buildings A-H	U1530781
N0653A	H3	Common Girder	7	2	Job Reference (optional)	

Alliance Truss (CA), Abbotsford, BC - V2S 7P6,

8.630 s Jul 12 2024 MiTek Industries, Inc. Thu Sep 12 02:47:31 2024 Page 2  
ID:hFyjDMxrTsEK\_kgkR0vWWVzFgc-RfC?PsB70Hq3NSgPqnL8w3ulTXbGKWrCDoi7J4zJC?f

**NOTES-**

- 11) \* This truss has been designed for a live load of 20.0psf on the bottom chord in all areas where a rectangle 3-6-0 tall by 2-0-0 wide will fit between the bottom chord and any other members.
- 12) Provide mechanical connection (by others) of truss to bearing plate capable of withstanding 100 lb uplift at joint(s) except (jt=lb) A=865, G=971.
- 13) This truss is designed in accordance with the 2018 International Building Code section 2306.1 and referenced standard ANSI/TPI 1.
- 14) Hanger(s) or other connection device(s) shall be provided sufficient to support concentrated load(s) 1205 lb down and 145 lb up at 2-0-4, 1205 lb down and 145 lb up at 4-0-4, 1205 lb down and 145 lb up at 6-0-4, 1205 lb down and 145 lb up at 8-0-4, 1205 lb down and 145 lb up at 10-0-4, 1205 lb down and 145 lb up at 12-0-4, 1205 lb down and 145 lb up at 14-0-4, 1205 lb down and 145 lb up at 16-0-4, 1205 lb down and 145 lb up at 18-0-4, 1205 lb down and 145 lb up at 20-0-4, and 1205 lb down and 145 lb up at 22-7-12 on bottom chord. The design/selection of such connection device(s) is the responsibility of others.

PRMU20240285 BLDG B

**LOAD CASE(S)** Standard

- 1) Dead + Snow (balanced): Lumber Increase=1.15, Plate Increase=1.15

Uniform Loads (plf)

Vert: A-D=-74, D-H=-74, O-S=-20

Concentrated Loads (lb)

Vert: I=-1175(F) Y=-1175(F) Z=-1175(F) AA=-1175(F) AB=-1175(F) AC=-1175(F) AD=-1175(F) AE=-1175(F) AF=-1175(F) AG=-1175(F) AH=-1175(F) AI=-1175(F)

**WARNING - Verify design parameters and READ NOTES ON THIS AND INCLUDED MITEK REFERANCE PAGE MII-7473 rev. 6/30/2020 BEFORE USE.**

Design valid for use only with MiTek® connectors. This design is based only upon parameters shown, and is for an individual building component, not a truss system. Before use, the building designer must verify the applicability of design parameters and properly incorporate this design into the overall building design. Bracing indicated is to prevent buckling of individual truss web and/or chord members only. Additional temporary and permanent bracing is always required for stability and to prevent collapse with possible personal injury and property damage. For general guidance regarding the fabrication, storage, delivery, erection and bracing of trusses and truss systems, see

**Safety Information** available from Truss Plate Institute, 2670 Crain Highway, Suite 203 Waldorf, MD 20601



240 Stirling Crescent  
Bradford, ON. L3Z 4L5

Job	Truss	Truss Type	Qty	Ply	Buildings A-H	U1530844
N0653A	K1	GABLE	13	<b>2</b>		

Alliance Truss (CA), Abbotsford, BC - V2S 7P6,

8.820 s Aug 30 2024 MiTek Industries, Inc. Thu Sep 12 02:48:07 2024 Page 1

ID:hFyjDMxrTsEK\_kgkR0vWWVzFfgc-cvIL6A4tmEyLguQm9bUSXIYiWfQXcjhWkaMsKyeVr6

4-7-2 8-9-5 12-4-4 13-2-0  
4-7-2 4-2-3 3-6-15 0-9-12

**PRMU20240285 - BLDG B**

3x8 =  
5x10 ||  
2x4 =

Scale = 1:46.3

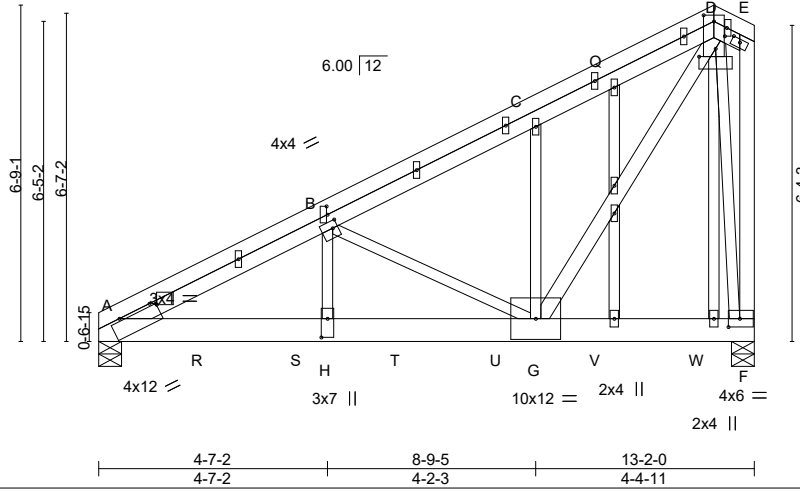


Plate Offsets (X,Y)-- [A:0-9-8,0-0-10], [B:0-1-4,0-1-12], [B:0-2-0,0-0-4], [D:0-4-0,0-1-15], [D:0-1-8,0-2-8], [D:0-2-0,0-0-8], [E:0-2-0,0-0-12], [F:0-2-12,0-2-0], [H:0-4-8,0-1-8], [O:0-1-12,0-0-4]

<b>LOADING</b> (psf)	<b>SPACING-</b>	<b>CSI.</b>	<b>DEFL.</b>	in (loc)	l/defl	L/d	<b>PLATES</b>	<b>GRIP</b>
TCLL 25.0 (Roof Snow=25.0)	2-0-0 Plate Grip DOL 1.15 Lumber DOL 1.15	TC 0.58 BC 0.58	Vert(LL) -0.10 Vert(CT) -0.17	G-H	>999	360	MT20	197/144
TCDL 12.0	Rep Stress Incr NO	WB 0.81	Horz(CT) 0.02	F	n/a	n/a		
BCLL 0.0 *	Code IBC2018/TPI2014	Matrix-MS	Wind(LL) 0.05	G-H	>999	240		
BCDL 10.0							Weight: 175 lb	FT = 20%

**LUMBER-**  
TOP CHORD 2x4 SPF No.2  
BOT CHORD 2x6 SPF 2100F 1.8E  
WEBS 2x3 SPF No.2 \*Except\*  
D-G,E-F: 2x4 SPF No.2  
OTHERS 2x3 SPF No.2

**BRACING-**  
TOP CHORD Structural wood sheathing directly applied or 3-11-13 oc purlins, except end verticals.  
BOT CHORD Rigid ceiling directly applied or 10-0-0 oc bracing.

**REACTIONS.** (size) A=0-5-8, F=0-5-8  
Max Horz A=176(LC 28)  
Max Uplift A=-532(LC 10), F=-630(LC 10)  
Max Grav A=4676(LC 3), F=5224(LC 3)

**FORCES.** (lb) - Max. Comp./Max. Ten. - All forces 250 (lb) or less except when shown.  
TOP CHORD A-B=-7751/879, B-C=-4320/502, C-D=-4340/566, E-F=-326/86  
BOT CHORD A-H=-861/7096, G-H=-862/7105, F-G=-99/451  
WEBS B-H=-270/2565, B-G=-3686/477, C-G=-331/119, D-G=-833/6615, D-F=-3640/457

- NOTES-**
- 2-ply truss to be connected together with 10d (0.131"x3") nails as follows:  
Top chords connected as follows: 2x4 - 1 row at 0-7-0 oc.  
Bottom chords connected as follows: 2x6 - 2 rows staggered at 0-5-0 oc.  
Webs connected as follows: 2x3 - 1 row at 0-9-0 oc, 2x4 - 1 row at 0-9-0 oc.
  - All loads are considered equally applied to all plies, except if noted as front (F) or back (B) face in the LOAD CASE(S) section. Ply to ply connections have been provided to distribute only loads noted as (F) or (B), unless otherwise indicated.
  - Wind: ASCE 7-16; Vult=115mph (3-second gust) Vasd=91mph; TC DL=4.2psf; BCDL=5.0psf; h=30ft; Ke=1.00; Cat. II; Exp B; Enclosed; MWFRS (envelope) gable end zone; cantilever left and right exposed; end vertical left and right exposed; Lumber DOL=1.33 plate grip DOL=1.33
  - Truss designed for wind loads in the plane of the truss only. For studs exposed to wind (normal to the face), see Standard Industry Gable End Details as applicable, or consult qualified building designer as per ANSI/TPI 1.
  - TCLL: ASCE 7-16; Pf=25.0 psf (Lum DOL = 1.15 Plate DOL = 1.15); ls=1.0; Rough Cat B; Partially Exp.; Ce=1.0; Cs=1.00; Ct=1.10
  - Unbalanced snow loads have been considered for this design.
  - All plates are 1.5x4 MT20 unless otherwise indicated.
  - Gable studs spaced at 2-0-0 oc.
  - This truss has been designed for a 10.0 psf bottom chord live load nonconcurrent with any other live loads.
  - \* This truss has been designed for a live load of 20.0psf on the bottom chord in all areas where a rectangle 3-6-0 tall by 2-0-0 wide will fit between the bottom chord and any other members.
  - Provide mechanical connection (by others) of truss to bearing plate capable of withstanding 100 lb uplift at joint(s) except (jt=lb) A=532, F=630.
  - This truss is designed in accordance with the 2018 International Building Code section 2306.1 and referenced standard ANSI/TPI 1.



September 12, 2024

Continued on page 2

**WARNING - Verify design parameters and READ NOTES ON THIS AND INCLUDED MITEK REFERENCE PAGE MII-7473 rev. 6/30/2020 BEFORE USE.**

Design valid for use only with MiTek® connectors. This design is based only upon parameters shown, and is for an individual building component, not a truss system. Before use, the building designer must verify the applicability of design parameters and properly incorporate this design into the overall building design. Bracing indicated is to prevent buckling of individual truss web and/or chord members only. Additional temporary and permanent bracing is always required for stability and to prevent collapse with possible personal injury and property damage. For general guidance regarding the fabrication, storage, delivery, erection and bracing of trusses and truss systems, see

**ANSI/TPI1 Quality Criteria, DSB-89 and BCSI Building Component Safety Information** available from Truss Plate Institute, 2670 Crain Highway, Suite 203 Waldorf, MD 20601



240 Stirling Crescent  
Bradford, ON. L3Z 4L5



Job	Truss	Truss Type	Qty	Ply	Buildings A-H	U1530844
N0653A	K1	GABLE	13	<b>2</b>	Job Reference (optional)	

Alliance Truss (CA), Abbotsford, BC - V2S 7P6,

8.820 s Aug 30 2024 MiTek Industries, Inc. Thu Sep 12 02:48:07 2024 Page 2  
ID:hFyjDMxrTsEK\_kgkR0vWWVzFlgc-cvIL6A4tmEyLguQm9bUSXIYiWfQXcjzhWkaMsKyeVr6

**NOTES-**

- 13) Hanger(s) or other connection device(s) shall be provided sufficient to support concentrated load(s) 1476 lb down and 180 lb up at 2-0-4, 1476 lb down and 180 lb up at 4-0-4, 1476 lb down and 180 lb up at 6-0-4, 1476 lb down and 180 lb up at 8-0-4, and 1476 lb down and 180 lb up at 10-0-4, and 1476 lb down and 180 lb up at 12-0-4 on both ends of the truss. The design selection of any connection device(s) is the responsibility of others.
- 14) No notches allowed in overhang and 0-0-0 from left end and 0-0-0 from right end or 12" along rake from scarf, whichever is larger. Minimum 1.5x4 tie plates required at 2-0-0 o.c. maximum between the stacking chords. For edge-wise notching, provide at least one tie plate between each notch.
- 15) Studding applied to ply: 1(Front)

**LOAD CASE(S)** Standard

1) Dead + Snow (balanced): Lumber Increase=1.15, Plate Increase=1.15

Uniform Loads (plf)

Vert: A-D=-74, D-E=-74, F-N=-20

Concentrated Loads (lb)

Vert: R=-1434(F) S=-1434(F) T=-1434(F) U=-1434(F) V=-1434(F) W=-1434(F)



**WARNING - Verify design parameters and READ NOTES ON THIS AND INCLUDED MITEK REFERENCE PAGE MII-7473 rev. 6/30/2020 BEFORE USE.**

Design valid for use only with MiTek® connectors. This design is based only upon parameters shown, and is for an individual building component, not a truss system. Before use, the building designer must verify the applicability of design parameters and properly incorporate this design into the overall building design. Bracing indicated is to prevent buckling of individual truss web and/or chord members only. Additional temporary and permanent bracing is always required for stability and to prevent collapse with possible personal injury and property damage. For general guidance regarding the fabrication, storage, delivery, erection and bracing of trusses and truss systems, see

**ANSI/TPI1 Quality Criteria, DSB-89 and BCSI Building Component**

**Safety Information** available from Truss Plate Institute, 2670 Crain Highway, Suite 203 Waldorf, MD 20601



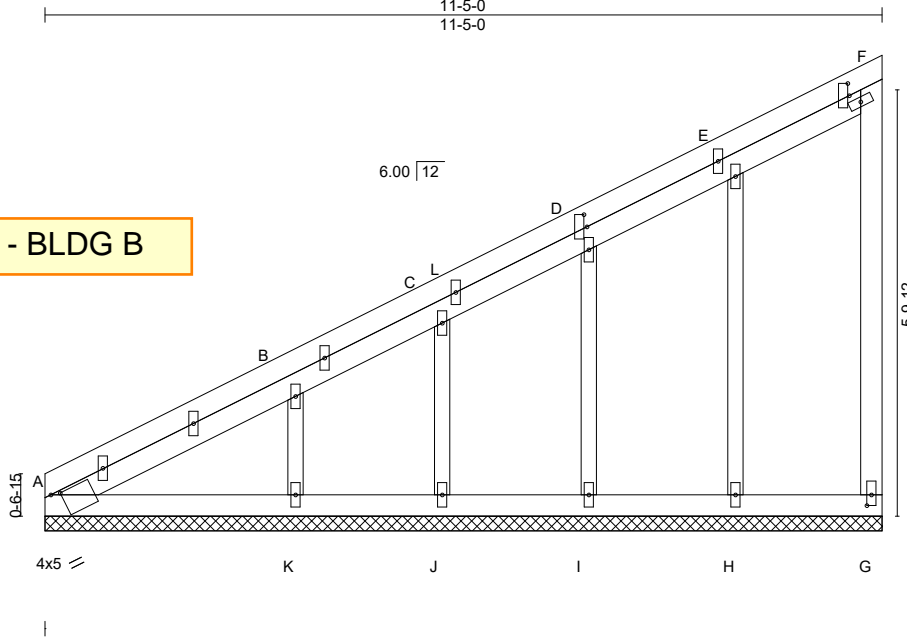
240 Stirling Crescent  
Bradford, ON. L3Z 4L5

Job	Truss	Truss Type	Qty	Ply	Buildings A-H	U1530845
N0653A	K2	GABLE	13	1		

Alliance Truss (CA), Abbotsford, BC - V2S 7P6,

8.820 s Aug 30 2024 MiTek Industries, Inc. Thu Sep 12 02:48:08 2024 Page 1

ID:hFyjDMxrTsEK\_kgkR0vWWVzFlgc-45GjKV5VXY4CH1?zj0h4W5tDfnlLKvrk\_KvPmyeVr5



Scale = 1:31.4

Plate Offsets (X,Y)-- [A:0-1-8,0-0-7], [D:0-2-0,0-0-8], [F:0-2-0,0-0-4], [G:0-1-12,0-0-12]

LOADING (psf)	SPACING-	CSI.	DEFL.	PLATES	GRIP
TCLL 25.0 (Roof Snow=25.0)	2-0-0 Plate Grip DOL 1.15 Lumber DOL 1.15	TC 0.58 BC 0.55 WB 0.13 Matrix-S	in (loc) l/defl L/d Vert(LL) n/a - n/a 999 Vert(CT) n/a - n/a 999 Horz(CT) -0.03 G n/a n/a	MT20	197/144
TCDL 12.0	Rep Stress Incr YES				
BCLL 0.0 *	Code IBC2018/TPI2014				
BCDL 10.0				Weight: 58 lb	FT = 20%

**LUMBER-**

TOP CHORD 2x4 SPF No.2  
 BOT CHORD 2x4 SPF No.2  
 WEBS 2x4 SPF No.2  
 OTHERS 2x3 SPF No.2

**BRACING-**

TOP CHORD Structural wood sheathing directly applied or 3-3-9 oc purlins, except end verticals.  
 BOT CHORD Rigid ceiling directly applied or 3-6-11 oc bracing.

**REACTIONS.**

All bearings 11-5-0.  
 (lb) - Max Horz A=172(LC 34)  
 Max Uplift All uplift 100 lb or less at joint(s) G, H, I, J, K except A=1292(LC 31)  
 Max Grav All reactions 250 lb or less at joint(s) G, J except A=1405(LC 38), H=275(LC 16), I=276(LC 16), K=318(LC 1)

**FORCES.** (lb) - Max. Comp./Max. Ten. - All forces 250 (lb) or less except when shown.

TOP CHORD A-B=-3139/2996, B-C=-2237/2131, C-D=-1686/1604, D-E=-1140/1078, E-F=-587/549  
 BOT CHORD A-K=-2740/2746, J-K=-1938/1925, I-J=-1459/1445, H-I=-979/965, G-H=-499/485

**NOTES-**

- 1) Wind: ASCE 7-16; Vult=115mph (3-second gust) Vasd=91mph; TCDL=4.2psf; BCDL=5.0psf; h=30ft; Ke=1.00; Cat. II; Exp B; Enclosed; MWFRS (envelope) gable end zone; cantilever left and right exposed; end vertical left and right exposed; Lumber DOL=1.33 plate grip DOL=1.33
- 2) Truss designed for wind loads in the plane of the truss only. For studs exposed to wind (normal to the face), see Standard Industry Gable End Details as applicable, or consult qualified building designer as per ANSI/TPI 1.
- 3) TCLL: ASCE 7-16; Pf=25.0 psf (Lum DOL = 1.15 Plate DOL = 1.15); Is=1.0; Rough Cat B; Partially Exp.; Ce=1.0; Cs=1.00; Ct=1.10
- 4) Unbalanced snow loads have been considered for this design.
- 5) All plates are 1.5x4 MT20 unless otherwise indicated.
- 6) Gable requires continuous bottom chord bearing.
- 7) Gable studs spaced at 2-0-0 oc.
- 8) This truss has been designed for a 10.0 psf bottom chord live load nonconcurrent with any other live loads.
- 9) \* This truss has been designed for a live load of 20.0psf on the bottom chord in all areas where a rectangle 3-6-0 tall by 2-0-0 wide will fit between the bottom chord and any other members.
- 10) Provide mechanical connection (by others) of truss to bearing plate capable of withstanding 100 lb uplift at joint(s) G, H, I, J, K except (jt=lb) A=1292.
- 11) This truss is designed in accordance with the 2018 International Building Code section 2306.1 and referenced standard ANSI/TPI 1.
- 12) This truss has been designed for a total drag load of 240 plf. Lumber DOL=(1.33) Plate grip DOL=(1.33) Connect truss to resist drag loads along bottom chord from 0-0-0 to 11-5-0 for 240.0 plf.
- 13) No notches allowed in overhang and 0 from left end and 0 from right end or 12" along rake from scarf, whichever is larger. Minimum 1.5x4 tie plates required at 2-0-0 o.c. maximum between the stacking chords. For edge-wise notching, provide at least one tie plate between each notch.



September 12, 2024

**WARNING - Verify design parameters and READ NOTES ON THIS AND INCLUDED MITEK REFERENCE PAGE MII-7473 rev. 6/30/2020 BEFORE USE.**

Design valid for use only with MiTek® connectors. This design is based only upon parameters shown, and is for an individual building component, not a truss system. Before use, the building designer must verify the applicability of design parameters and properly incorporate this design into the overall building design. Bracing indicated is to prevent buckling of individual truss web and/or chord members only. Additional temporary and permanent bracing is always required for stability and to prevent collapse with possible personal injury and property damage. For general guidance regarding the fabrication, storage, delivery, erection and bracing of trusses and truss systems, see

**ANSI/TPI1 Quality Criteria, DSB-89 and BCSI Building Component Safety Information** available from Truss Plate Institute, 2670 Crain Highway, Suite 203 Waldorf, MD 20601



240 Stirling Crescent  
 Bradford, ON. L3Z 4L5

Job	Truss	Truss Type	Qty	Ply	Buildings A-H	U1530782
N0653A	L1	Monopitch Supported Gable	7	1		

Alliance Truss (CA), Abbotsford, BC - V2S 7P6,

8.630 s Jul 12 2024 MiTek Industries, Inc. Thu Sep 12 02:47:31 2024 Page 1

ID:hFyjDMxrTsEK\_kgkR0vWWVzFfgc-RfC?PsB70Hq3NSgPqnL8w3ulTXbGKWrCDoi7J4zJC?f



**PRMU20240285 - BLDG B**

Scale = 1:10.0

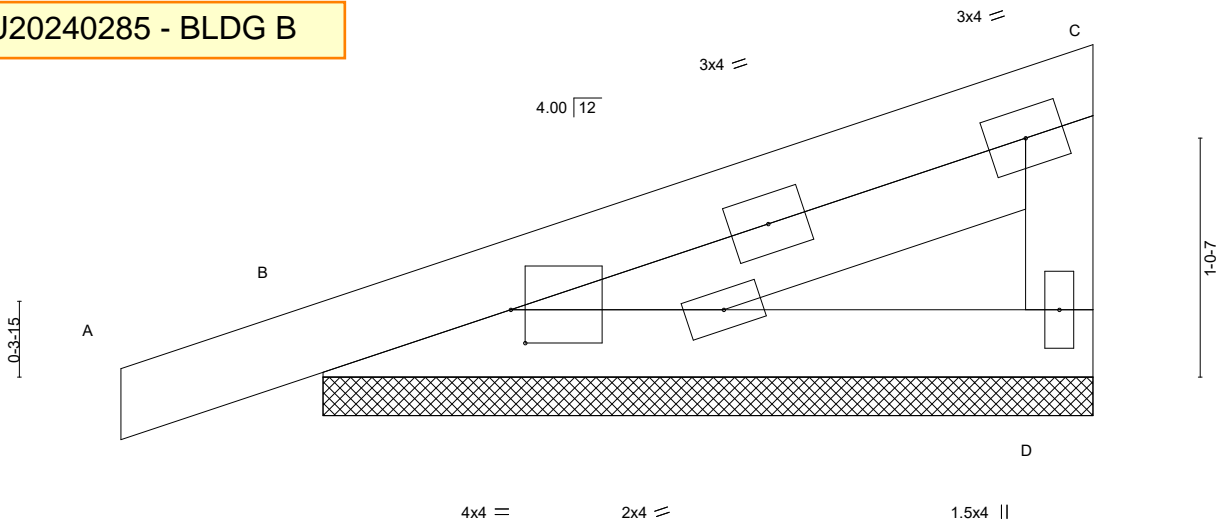


Plate Offsets (X,Y)-- [B:0-0-12,0-1-12]

LOADING (psf)	SPACING-	CSI.	DEFL.	in (loc)	l/defl	L/d	PLATES	GRIP
TCLL 25.0 (Roof Snow=25.0)	2-0-0 Plate Grip DOL 1.15	TC 0.09	Vert(LL)	-0.00	A	n/r	MT20	197/144
TCDL 12.0	Lumber DOL 1.15	BC 0.10	Vert(CT)	0.00	A	n/r		
BCLL 0.0 *	Rep Stress Incr YES	WB 0.00	Horz(CT)	-0.00	D	n/a		
BCDL 10.0	Code IBC2018/TPI2014	Matrix-P					Weight: 13 lb	FT = 20%

**LUMBER-**

TOP CHORD 2x4 SPF No.2  
 BOT CHORD 2x4 SPF No.2  
 WEBS 2x4 SPF No.2

**BRACING-**

TOP CHORD Structural wood sheathing directly applied or 3-4-0 oc purlins, except end verticals.  
 BOT CHORD Rigid ceiling directly applied or 10-0-0 oc bracing.

**REACTIONS.**

(size) D=3-4-0, B=3-4-0  
 Max Horz B=40(LC 7)  
 Max Uplift D=-19(LC 10), B=-48(LC 6)  
 Max Grav D=183(LC 17), B=297(LC 17)

**FORCES.** (lb) - Max. Comp./Max. Ten. - All forces 250 (lb) or less except when shown.

**NOTES-**

- 1) Wind: ASCE 7-16; Vult=115mph (3-second gust) Vasd=91mph; TCDL=4.2psf; BCDL=5.0psf; h=30ft; Ke=1.00; Cat. II; Exp B; Enclosed; MWFRS (envelope) gable end zone; cantilever left and right exposed; end vertical left and right exposed; Lumber DOL=1.33 plate grip DOL=1.33
- 2) Truss designed for wind loads in the plane of the truss only. For studs exposed to wind (normal to the face), see Standard Industry Gable End Details as applicable, or consult qualified building designer as per ANSI/TPI 1.
- 3) TCLL: ASCE 7-16; Pf=25.0 psf (Lum DOL=1.15 Plate DOL=1.15); Is=1.0; Rough Cat B; Partially Exp.; Ce=1.0; Cs=1.00; Ct=1.10
- 4) Unbalanced snow loads have been considered for this design.
- 5) This truss has been designed for greater of min roof live load of 20.0 psf or 2.00 times flat roof load of 25.0 psf on overhangs non-concurrent with other live loads.
- 6) Gable requires continuous bottom chord bearing.
- 7) Gable studs spaced at 2-0-0 oc.
- 8) This truss has been designed for a 10.0 psf bottom chord live load nonconcurrent with any other live loads.
- 9) \* This truss has been designed for a live load of 20.0psf on the bottom chord in all areas where a rectangle 3-6-0 tall by 2-0-0 wide will fit between the bottom chord and any other members.
- 10) Provide mechanical connection (by others) of truss to bearing plate capable of withstanding 100 lb uplift at joint(s) D, B.
- 11) Beveled plate or shim required to provide full bearing surface with truss chord at joint(s) B.
- 12) This truss is designed in accordance with the 2018 International Building Code section 2306.1 and referenced standard ANSI/TPI 1.



September 12, 2024

**WARNING - Verify design parameters and READ NOTES ON THIS AND INCLUDED MITEK REFERENCE PAGE MII-7473 rev. 6/30/2020 BEFORE USE.**

Design valid for use only with MiTek® connectors. This design is based only upon parameters shown, and is for an individual building component, not a truss system. Before use, the building designer must verify the applicability of design parameters and properly incorporate this design into the overall building design. Bracing indicated is to prevent buckling of individual truss web and/or chord members only. Additional temporary and permanent bracing is always required for stability and to prevent collapse with possible personal injury and property damage. For general guidance regarding the fabrication, storage, delivery, erection and bracing of trusses and truss systems, see

**ANSI/TPI1 Quality Criteria, DSB-89 and BCSI Building Component**

**Safety Information** available from Truss Plate Institute, 2670 Crain Highway, Suite 203 Waldorf, MD 20601



240 Stirling Crescent  
 Bradford, ON. L3Z 4L5

Job	Truss	Truss Type	Qty	Ply	Buildings A-H	U1530783
N0653A	L2	Monopitch	42	1		

Alliance Truss (CA), Abbotsford, BC - V2S 7P6,

8.630 s Jul 12 2024 MiTek Industries, Inc. Thu Sep 12 02:47:32 2024 Page 1

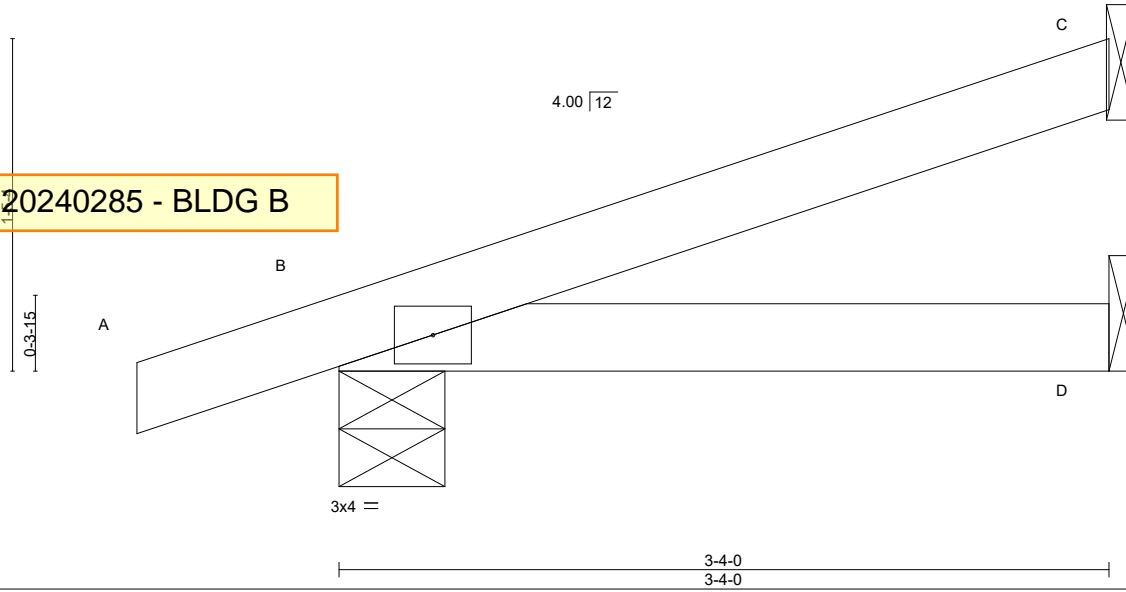
ID:hFyjDMxrTsEK\_kgkR0vWWVzFfgc-RfC?PsB70Hq3NSgPqnL8w3ulTXbGKWrCDoi7J4zJC?f

Job Reference (optional)



Scale = 1:10.0

PRMU20240285 - BLDG B



<b>LOADING</b> (psf)	<b>SPACING-</b>	<b>CSI.</b>	<b>DEFL.</b>	<b>PLATES</b>	<b>GRIP</b>
TCLL 25.0	2-0-0	TC 0.17	in (loc) l/defl L/d	MT20	197/144
(Roof Snow=25.0)	Plate Grip DOL 1.15	BC 0.16	Vert(LL) -0.01 D-G >999 360		
TCDL 12.0	Lumber DOL 1.15	WB 0.00	Vert(CT) -0.02 D-G >999 240		
BCLL 0.0 *	Rep Stress Incr YES	Matrix-MP	Horz(CT) 0.00 B n/a n/a		
BCDL 10.0	Code IBC2018/TPI2014		Wind(LL) 0.00 D-G >999 240	Weight: 9 lb	FT = 20%

**LUMBER-**

TOP CHORD 2x4 SPF No.2  
BOT CHORD 2x4 SPF No.2

**BRACING-**

TOP CHORD Structural wood sheathing directly applied or 3-4-0 oc purlins.  
BOT CHORD Rigid ceiling directly applied or 10-0-0 oc bracing.

**REACTIONS.**

(size) C=Mechanical, B=0-5-8, D=Mechanical  
Max Horz B=45(LC 6)  
Max Uplift C=-28(LC 10), B=-46(LC 6)  
Max Grav C=132(LC 17), B=302(LC 17), D=59(LC 5)

**FORCES.** (lb) - Max. Comp./Max. Ten. - All forces 250 (lb) or less except when shown.

**NOTES-**

- 1) Wind: ASCE 7-16; Vult=115mph (3-second gust) Vasd=91mph; TCDL=4.2psf; BCDL=5.0psf; h=30ft; Ke=1.00; Cat. II; Exp B; Enclosed; MWFRS (envelope) gable end zone; cantilever left and right exposed; end vertical left and right exposed; Lumber DOL=1.33 plate grip DOL=1.33
- 2) TCLL: ASCE 7-16; Pf=25.0 psf (Lum DOL=1.15 Plate DOL=1.15); Is=1.0; Rough Cat B; Partially Exp.; Ce=1.0; Cs=1.0; Ct=1.10
- 3) Unbalanced snow loads have been considered for this design.
- 4) This truss has been designed for greater of min roof live load of 20.0 psf or 2.00 times flat roof load of 25.0 psf on overhangs non-concurrent with other live loads.
- 5) This truss has been designed for a 10.0 psf bottom chord live load nonconcurrent with any other live loads.
- 6) \* This truss has been designed for a live load of 20.0psf on the bottom chord in all areas where a rectangle 3-6-0 tall by 2-0-0 wide will fit between the bottom chord and any other members.
- 7) Refer to girder(s) for truss to truss connections.
- 8) Provide mechanical connection (by others) of truss to bearing plate capable of withstanding 100 lb uplift at joint(s) C, B.
- 9) This truss is designed in accordance with the 2018 International Building Code section 2306.1 and referenced standard ANSI/TPI 1.



September 12, 2024

**WARNING - Verify design parameters and READ NOTES ON THIS AND INCLUDED MITEK REFERENCE PAGE MII-7473 rev. 6/30/2020 BEFORE USE.**

Design valid for use only with MiTek® connectors. This design is based only upon parameters shown, and is for an individual building component, not a truss system. Before use, the building designer must verify the applicability of design parameters and properly incorporate this design into the overall building design. Bracing indicated is to prevent buckling of individual truss web and/or chord members only. Additional temporary and permanent bracing is always required for stability and to prevent collapse with possible personal injury and property damage. For general guidance regarding the fabrication, storage, delivery, erection and bracing of trusses and truss systems, see

**ANSI/TPI1 Quality Criteria, DSB-89 and BCSI Building Component**

**Safety Information** available from Truss Plate Institute, 2670 Crain Highway, Suite 203 Waldorf, MD 20601



240 Stirling Crescent  
Bradford, ON. L3Z 4L5

Job N0653A	Truss L3	Truss Type Monopitch Supported Gable	Qty 9	Ply 1	Buildings A-H Job Reference (optional)	U1530784
---------------	-------------	---	----------	----------	---	----------

Alliance Truss (CA),

Abbotsford, BC - V2S 7P6,

8.630 s Jul 12 2024 MiTek Industries, Inc. Thu Sep 12 02:47:32 2024 Page 1

ID:hFyjDMxrTsEK\_kgkR0vWWVzFfgc-RfC?PsB70Hq3NSgPqnL8w3ulTXbGKWrCDoi7J4zJC?f



PRMU20240285 - BLDG B

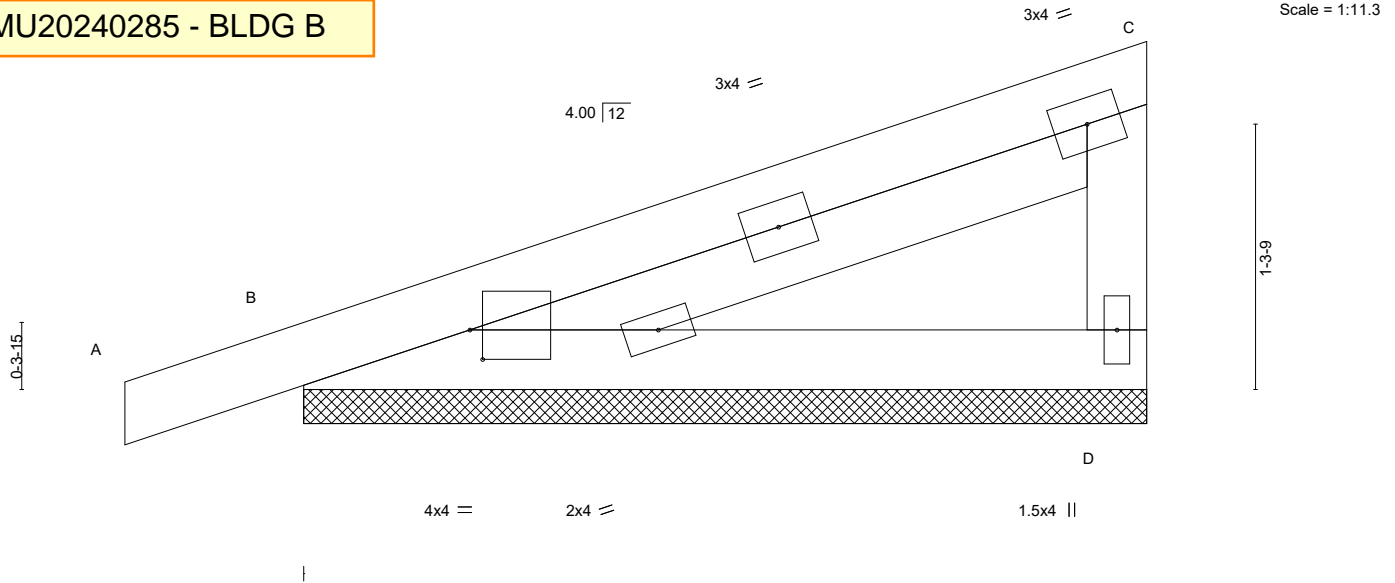


Plate Offsets (X,Y)-- [B:0-0-12,0-1-12]

LOADING (psf)	SPACING-	CSI.	DEFL.	in (loc)	l/defl	L/d	PLATES	GRIP
TCLL 25.0 (Roof Snow=25.0)	2-0-0 Plate Grip DOL 1.15	TC 0.13	Vert(LL)	-0.00	A	n/r	MT20	197/144
TCDL 12.0	Lumber DOL 1.15	BC 0.16	Vert(CT)	0.00	A	n/r		
BCLL 0.0 *	Rep Stress Incr YES	WB 0.00	Horz(CT)	-0.00	D	n/a		
BCDL 10.0	Code IBC2018/TPI2014	Matrix-P					Weight: 16 lb	FT = 20%

**LUMBER-**

TOP CHORD 2x4 SPF No.2  
 BOT CHORD 2x4 SPF No.2  
 WEBS 2x4 SPF No.2

**BRACING-**

TOP CHORD Structural wood sheathing directly applied or 4-1-8 oc purlins, except end verticals.  
 BOT CHORD Rigid ceiling directly applied or 10-0-0 oc bracing.

**REACTIONS.**

(size) D=4-1-8, B=4-1-8  
 Max Horz B=49(LC 7)  
 Max Uplift D=-25(LC 10), B=-52(LC 6)  
 Max Grav D=238(LC 17), B=350(LC 17)

**FORCES.** (lb) - Max. Comp./Max. Ten. - All forces 250 (lb) or less except when shown.

**NOTES-**

- Wind: ASCE 7-16; Vult=115mph (3-second gust) Vasd=91mph; TCDL=4.2psf; BCDL=5.0psf; h=30ft; Ke=1.00; Cat. II; Exp B; Enclosed; MWFRS (envelope) gable end zone; cantilever left and right exposed; end vertical left and right exposed; Lumber DOL=1.33 plate grip DOL=1.33
- Truss designed for wind loads in the plane of the truss only. For studs exposed to wind (normal to the face), see Standard Industry Gable End Details as applicable, or consult qualified building designer as per ANSI/TPI 1.
- TCLL: ASCE 7-16; Pf=25.0 psf (Lum DOL=1.15 Plate DOL=1.15); Is=1.0; Rough Cat B; Partially Exp.; Ce=1.0; Cs=1.00; Ct=1.10
- Unbalanced snow loads have been considered for this design.
- This truss has been designed for greater of min roof live load of 20.0 psf or 2.00 times flat roof load of 25.0 psf on overhangs non-concurrent with other live loads.
- Gable requires continuous bottom chord bearing.
- Gable studs spaced at 2-0-0 oc.
- This truss has been designed for a 10.0 psf bottom chord live load nonconcurrent with any other live loads.
- \* This truss has been designed for a live load of 20.0psf on the bottom chord in all areas where a rectangle 3-6-0 tall by 2-0-0 wide will fit between the bottom chord and any other members.
- Provide mechanical connection (by others) of truss to bearing plate capable of withstanding 100 lb uplift at joint(s) D, B.
- This truss is designed in accordance with the 2018 International Building Code section 2306.1 and referenced standard ANSI/TPI 1.



September 12, 2024

**WARNING - Verify design parameters and READ NOTES ON THIS AND INCLUDED MITEK REFERENCE PAGE MII-7473 rev. 6/30/2020 BEFORE USE.**

Design valid for use only with MiTek® connectors. This design is based only upon parameters shown, and is for an individual building component, not a truss system. Before use, the building designer must verify the applicability of design parameters and properly incorporate this design into the overall building design. Bracing indicated is to prevent buckling of individual truss web and/or chord members only. Additional temporary and permanent bracing is always required for stability and to prevent collapse with possible personal injury and property damage. For general guidance regarding the fabrication, storage, delivery, erection and bracing of trusses and truss systems, see

**ANSI/TPI1 Quality Criteria, DSB-89 and BCSI Building Component Safety Information** available from Truss Plate Institute, 2670 Crain Highway, Suite 203 Waldorf, MD 20601



240 Stirling Crescent  
 Bradford, ON. L3Z 4L5

Job	Truss	Truss Type	Qty	Ply	Buildings A-H	U1530785
N0653A	L4	JACK	54	1		

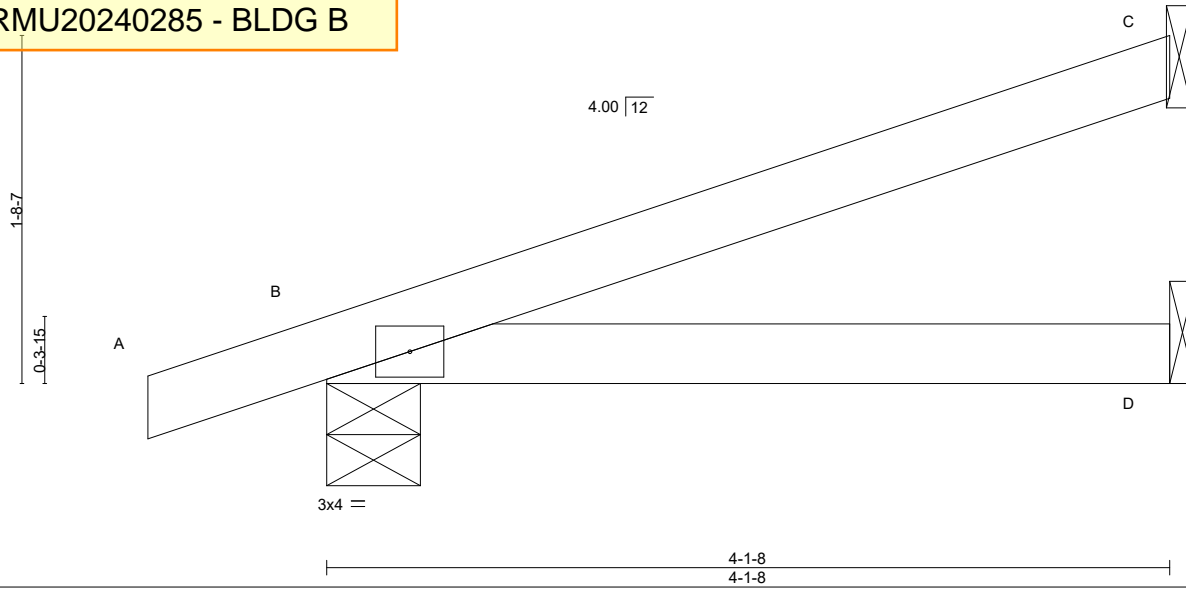
Alliance Truss (CA), Abbotsford, BC - V2S 7P6,

8.630 s Jul 12 2024 MiTek Industries, Inc. Thu Sep 12 02:47:33 2024 Page 1

ID:hFyjDMxrTsEK\_kgkR0vWWVzFgC-RfC?PsB70Hq3NSgPqnL8w3ulTXbGKWrCDoi7J4zJC?f



**PRMU20240285 - BLDG B**



LOADING (psf)	SPACING-	CSI.	DEFL.	PLATES	GRIP
TCLL 25.0	2-0-0	TC 0.29	in (loc) l/defl L/d	MT20	197/144
(Roof Snow=25.0)	Plate Grip DOL 1.15	BC 0.26	Vert(LL) -0.02 D-G >999 360		
TCDL 12.0	Lumber DOL 1.15	WB 0.00	Vert(CT) -0.04 D-G >999 240		
BCLL 0.0 *	Rep Stress Incr YES	Matrix-MP	Horz(CT) 0.00 B n/a n/a		
BCDL 10.0	Code IBC2018/TPI2014		Wind(LL) 0.01 D-G >999 240	Weight: 11 lb	FT = 20%

LUMBER-	BRACING-
TOP CHORD 2x4 SPF No.2	TOP CHORD Structural wood sheathing directly applied or 4-1-8 oc purlins.
BOT CHORD 2x4 SPF No.2	BOT CHORD Rigid ceiling directly applied or 10-0-0 oc bracing.

**REACTIONS.** (size) C=Mechanical, B=0-5-8, D=Mechanical  
 Max Horz B=53(LC 6)  
 Max Uplift C=-36(LC 10), B=-48(LC 6)  
 Max Grav C=174(LC 17), B=356(LC 17), D=74(LC 5)


**FORCES.** (lb) - Max. Comp./Max. Ten. - All forces 250 (lb) or less except when shown.

- NOTES-**
- 1) Wind: ASCE 7-16; Vult=115mph (3-second gust) Vasd=91mph; TCDL=4.2psf; BCDL=5.0psf; h=30ft; Ke=1.00; Cat. II; Exp B; Enclosed; MWFRS (envelope) gable end zone; cantilever left and right exposed; end vertical left and right exposed; Lumber DOL=1.33 plate grip DOL=1.33
  - 2) TCLL: ASCE 7-16; Pf=25.0 psf (Lum DOL=1.15 Plate DOL=1.15); Is=1.0; Rough Cat B; Partially Exp.; Ce=1.0; Cs=1.0; Ct=1.10
  - 3) Unbalanced snow loads have been considered for this design.
  - 4) This truss has been designed for greater of min roof live load of 20.0 psf or 2.00 times flat roof load of 25.0 psf on overhangs non-concurrent with other live loads.
  - 5) This truss has been designed for a 10.0 psf bottom chord live load nonconcurrent with any other live loads.
  - 6) \* This truss has been designed for a live load of 20.0psf on the bottom chord in all areas where a rectangle 3-6-0 tall by 2-0-0 wide will fit between the bottom chord and any other members.
  - 7) Refer to girder(s) for truss to truss connections.
  - 8) Provide mechanical connection (by others) of truss to bearing plate capable of withstanding 100 lb uplift at joint(s) C, B.
  - 9) This truss is designed in accordance with the 2018 International Building Code section 2306.1 and referenced standard ANSI/TPI 1.



September 12, 2024

**WARNING - Verify design parameters and READ NOTES ON THIS AND INCLUDED MITEK REFERENCE PAGE MII-7473 rev. 6/30/2020 BEFORE USE.**  
 Design valid for use only with MiTek® connectors. This design is based only upon parameters shown, and is for an individual building component, not a truss system. Before use, the building designer must verify the applicability of design parameters and properly incorporate this design into the overall building design. Bracing indicated is to prevent buckling of individual truss web and/or chord members only. Additional temporary and permanent bracing is always required for stability and to prevent collapse with possible personal injury and property damage. For general guidance regarding the fabrication, storage, delivery, erection and bracing of trusses and truss systems, see **ANSI/TPI1 Quality Criteria, DSB-89 and BCSI Building Component Safety Information** available from Truss Plate Institute, 2670 Crain Highway, Suite 203 Waldorf, MD 20601



240 Stirling Crescent  
Bradford, ON. L3Z 4L5

Job	Truss	Truss Type	Qty	Ply	Buildings A-H	U1530786
N0653A	L5	Monopitch Supported Gable	2	1		

Alliance Truss (CA), Abbotsford, BC - V2S 7P6,

8.630 s Jul 12 2024 MiTek Industries, Inc. Thu Sep 12 02:47:33 2024 Page 1

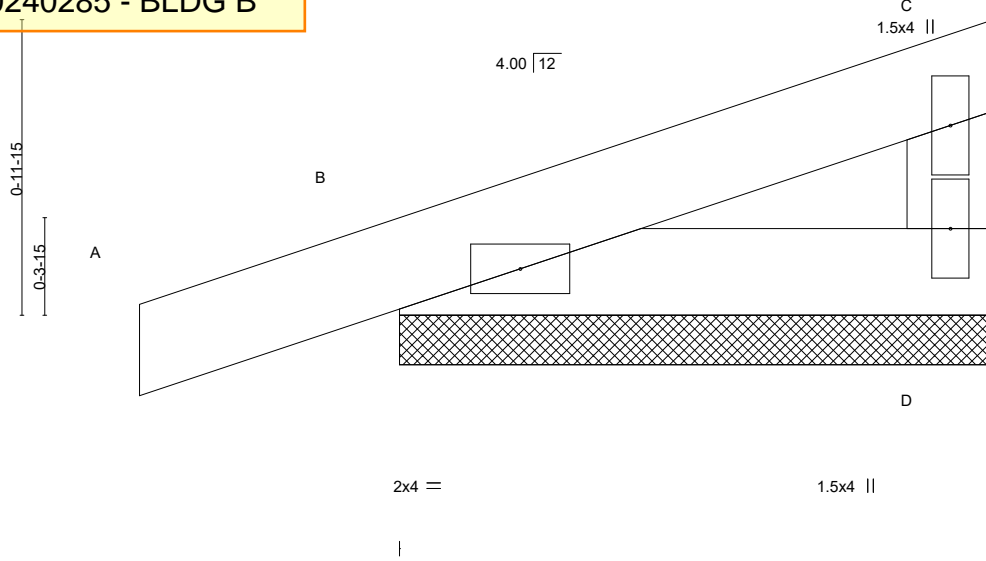
ID:hFyjDMxrTsEK\_kgkR0vWWVzFgC-RfC?PsB70Hq3NSgPqnL8w3ulTXbGKWrCDoi7J4zJC?f

-0-10-8  
0-10-8

2-0-0  
2-0-0

PRMU20240285 - BLDG B

Scale = 1:7.8



LOADING (psf)	SPACING-	2-0-0	CSI.	DEFL.	in (loc)	l/defl	L/d	PLATES	GRIP
TCLL 25.0	Plate Grip DOL	1.15	TC 0.09	Vert(LL)	0.00	A	n/r	MT20	197/144
(Roof Snow=25.0)	Lumber DOL	1.15	BC 0.03	Vert(CT)	0.00	A	n/r		
TCDL 12.0	Rep Stress Incr	YES	WB 0.00	Horz(CT)	-0.00	D	n/a		
BCLL 0.0 *	Code IBC2018/TPI2014		Matrix-P					Weight: 6 lb	FT = 20%
BCDL 10.0									

**LUMBER-**

TOP CHORD 2x4 SPF No.2  
BOT CHORD 2x4 SPF No.2  
WEBS 2x4 SPF No.2

**BRACING-**

TOP CHORD Structural wood sheathing directly applied or 2-0-0 oc purlins, except end verticals.  
BOT CHORD Rigid ceiling directly applied or 10-0-0 oc bracing.

**REACTIONS.**

(size) D=2-0-0, B=2-0-0  
Max Horz B=26(LC 7)  
Max Uplift D=-9(LC 10), B=-45(LC 6)  
Max Grav D=89(LC 17), B=214(LC 17)

**FORCES.** (lb) - Max. Comp./Max. Ten. - All forces 250 (lb) or less except when shown.

**NOTES-**

- 1) Wind: ASCE 7-16; Vult=115mph (3-second gust) Vasd=91mph; TCDL=4.2psf; BCDL=5.0psf; h=30ft; Ke=1.00; Cat. II; Exp B; Enclosed; MWFRS (envelope) gable end zone; cantilever left and right exposed; end vertical left and right exposed; Lumber DOL=1.33 plate grip DOL=1.33
- 2) Truss designed for wind loads in the plane of the truss only. For studs exposed to wind (normal to the face), see Standard Industry Gable End Details as applicable, or consult qualified building designer as per ANSI/TPI 1.
- 3) TCLL: ASCE 7-16; Pf=25.0 psf (Lum DOL=1.15 Plate DOL=1.15); Is=1.0; Rough Cat B; Partially Exp.; Ce=1.0; Cs=1.0; Ct=1.10
- 4) Unbalanced snow loads have been considered for this design.
- 5) This truss has been designed for greater of min roof live load of 20.0 psf or 2.00 times flat roof load of 25.0 psf on overhangs non-concurrent with other live loads.
- 6) Gable requires continuous bottom chord bearing.
- 7) Gable studs spaced at 2-0-0 oc.
- 8) This truss has been designed for a 10.0 psf bottom chord live load nonconcurrent with any other live loads.
- 9) \* This truss has been designed for a live load of 20.0psf on the bottom chord in all areas where a rectangle 3-6-0 tall by 2-0-0 wide will fit between the bottom chord and any other members.
- 10) Provide mechanical connection (by others) of truss to bearing plate capable of withstanding 100 lb uplift at joint(s) D, B.
- 11) This truss is designed in accordance with the 2018 International Building Code section 2306.1 and referenced standard ANSI/TPI 1.



September 12, 2024

**WARNING - Verify design parameters and READ NOTES ON THIS AND INCLUDED MITEK REFERENCE PAGE MII-7473 rev. 6/30/2020 BEFORE USE.**

Design valid for use only with MiTek® connectors. This design is based only upon parameters shown, and is for an individual building component, not a truss system. Before use, the building designer must verify the applicability of design parameters and properly incorporate this design into the overall building design. Bracing indicated is to prevent buckling of individual truss web and/or chord members only. Additional temporary and permanent bracing is always required for stability and to prevent collapse with possible personal injury and property damage. For general guidance regarding the fabrication, storage, delivery, erection and bracing of trusses and truss systems, see

**ANSI/TPI1 Quality Criteria, DSB-89 and BCSI Building Component**

**Safety Information** available from Truss Plate Institute, 2670 Crain Highway, Suite 203 Waldorf, MD 20601



240 Stirling Crescent  
Bradford, ON. L3Z 4L5

Job	Truss	Truss Type	Qty	Ply	Buildings A-H	U1530787
N0653A	L6	Monopitch	9	1		

Alliance Truss (CA), Abbotsford, BC - V2S 7P6,

8.630 s Jul 12 2024 MiTek Industries, Inc. Thu Sep 12 02:47:34 2024 Page 1

ID:hFyjDMxrTsEK\_kgkR0vWWVzFgc-RfC?PsB70Hq3NSgPqnL8w3ulTXbGKWrCDoi7J4zJC?f

**PRMU20240285 - BLDG B**

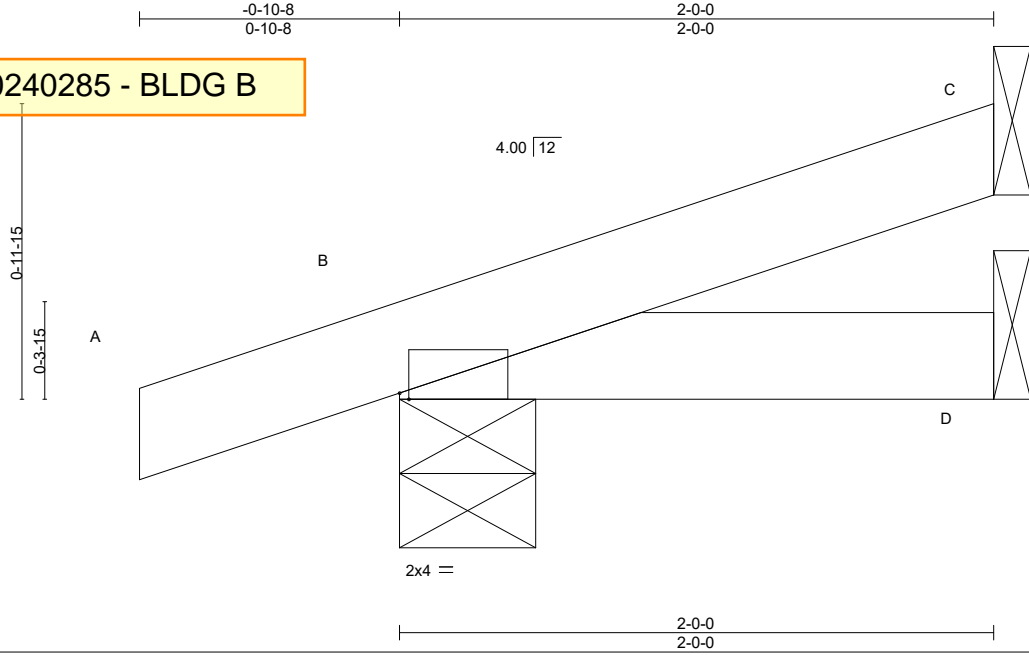


Plate Offsets (X,Y)-- [B:0-0-6,Edge]

LOADING (psf)	SPACING-	CSI.	DEFL.	in (loc)	l/defl	L/d	PLATES	GRIP
TCLL 25.0 (Roof Snow=25.0)	2-0-0 Plate Grip DOL 1.15	TC 0.15	Vert(LL)	-0.00	G	>999	MT20	197/144
TCDL 12.0	Lumber DOL 1.15	BC 0.20	Vert(CT)	-0.01	G	>999		
BCLL 0.0 *	Rep Stress Incr YES	WB 0.00	Horz(CT)	0.00	B	n/a		
BCDL 10.0	Code IBC2018/TPI2014	Matrix-MP	Wind(LL)	0.00	G	>999		
							Weight: 6 lb	FT = 20%

**LUMBER-**

TOP CHORD 2x4 SPF No.2  
BOT CHORD 2x4 SPF No.2

**BRACING-**

TOP CHORD Structural wood sheathing directly applied or 2-0-0 oc purlins.  
BOT CHORD Rigid ceiling directly applied or 10-0-0 oc bracing.

**REACTIONS.**

(size) B=0-5-8, D=Mechanical  
Max Horz B=30(LC 6)  
Max Uplift B=-42(LC 6), D=-12(LC 7)  
Max Grav B=222(LC 17), D=104(LC 16)

**FORCES.** (lb) - Max. Comp./Max. Ten. - All forces 250 (lb) or less except when shown.

**NOTES-**

- 1) Wind: ASCE 7-16; Vult=115mph (3-second gust) Vasd=91mph; TCDL=4.2psf; BCDL=5.0psf; h=30ft; Ke=1.00; Cat. II; Exp B; Enclosed; MWFRS (envelope) gable end zone; cantilever left and right exposed; end vertical left and right exposed; Lumber DOL=1.33 plate grip DOL=1.33
- 2) TCLL: ASCE 7-16; Pf=25.0 psf (Lum DOL=1.15 Plate DOL=1.15); Is=1.0; Rough Cat B; Partially Exp.; Ce=1.0; Cs=1.00; Ct=1.10
- 3) Unbalanced snow loads have been considered for this design.
- 4) This truss has been designed for greater of min roof live load of 20.0 psf or 2.00 times flat roof load of 25.0 psf on overhangs non-concurrent with other live loads.
- 5) This truss has been designed for a 10.0 psf bottom chord live load nonconcurrent with any other live loads.
- 6) \* This truss has been designed for a live load of 20.0psf on the bottom chord in all areas where a rectangle 3-6-0 tall by 2-0-0 wide will fit between the bottom chord and any other members.
- 7) Refer to girder(s) for truss to truss connections.
- 8) Provide mechanical connection (by others) of truss to bearing plate capable of withstanding 100 lb uplift at joint(s) B, D.
- 9) This truss is designed in accordance with the 2018 International Building Code section 2306.1 and referenced standard ANSI/TPI 1.



September 12, 2024

**WARNING - Verify design parameters and READ NOTES ON THIS AND INCLUDED MITEK REFERENCE PAGE MII-7473 rev. 6/30/2020 BEFORE USE.**

Design valid for use only with MiTek® connectors. This design is based only upon parameters shown, and is for an individual building component, not a truss system. Before use, the building designer must verify the applicability of design parameters and properly incorporate this design into the overall building design. Bracing indicated is to prevent buckling of individual truss web and/or chord members only. Additional temporary and permanent bracing is always required for stability and to prevent collapse with possible personal injury and property damage. For general guidance regarding the fabrication, storage, delivery, erection and bracing of trusses and truss systems, see

**Safety Information** available from Truss Plate Institute, 2670 Crain Highway, Suite 203 Waldorf, MD 20601

ANSI/TPI1 Quality Criteria, DSB-89 and BCSI Building Component



240 Stirling Crescent  
Bradford, ON. L3Z 4L5



Job	Truss	Truss Type	Qty	Ply	Buildings A-H	U1530846
N0653A	M1	Monopitch	44	1		

Alliance Truss (CA), Abbotsford, BC - V2S 7P6,

8.820 s Aug 30 2024 MiTek Industries, Inc. Thu Sep 12 02:48:09 2024 Page 1

ID:hFyjDMxrTsEK\_kgkR0vWwVzFlgc-YHq5Xr57HrC3vBa9G0Xwcje5G36R4jK\_ze3TxDyeVr4



**PRMU20240285 - BLDG B**

Scale = 1:33.8

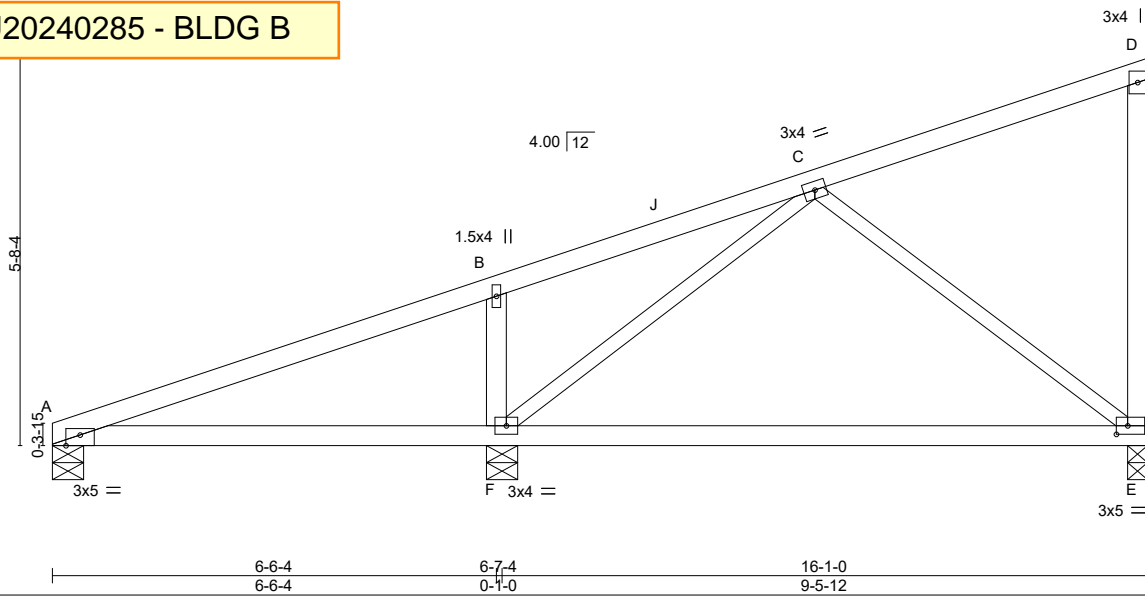


Plate Offsets (X,Y)-- [A:0-2-8,Edge], [E:0-2-0,0-1-8]

LOADING (psf)	SPACING-	CSI.	DEFL.	in (loc)	l/defl	L/d	PLATES	GRIP
TCLL 25.0 (Roof Snow=25.0)	2-0-0 Plate Grip DOL 1.15	TC 0.43	Vert(LL)	-0.21 E-F	>545	360	MT20	197/144
TCDL 12.0	Lumber DOL 1.15	BC 0.62	Vert(CT)	-0.40 E-F	>283	240		
BCLL 0.0 *	Rep Stress Incr YES	WB 0.37	Horz(CT)	0.01 E	n/a	n/a		
BCDL 10.0	Code IBC2018/TPI2014	Matrix-MS	Wind(LL)	0.04 F-I	>999	240		
							Weight: 55 lb	FT = 20%

**LUMBER-**

TOP CHORD 2x4 SPF No.2  
 BOT CHORD 2x4 SPF No.2  
 WEBS 2x4 SPF No.2 \*Except\*  
 C-F,C-E: 2x3 SPF No.2

**BRACING-**

TOP CHORD Structural wood sheathing directly applied or 6-0-0 oc purlins, except end verticals.  
 BOT CHORD Rigid ceiling directly applied or 10-0-0 oc bracing.

**REACTIONS.**

(size) A=0-5-8, F=0-5-8, E=0-3-8  
 Max Horz A=176(LC 9)  
 Max Uplift A=-27(LC 6), F=-92(LC 10), E=-70(LC 10)  
 Max Grav A=266(LC 16), F=896(LC 16), E=550(LC 16)

**FORCES.** (lb) - Max. Comp./Max. Ten. - All forces 250 (lb) or less except when shown.

BOT CHORD E-F=-89/343  
 WEBS B-F=-447/147, C-F=-345/39, C-E=-411/116

**NOTES-**

- 1) Wind: ASCE 7-16; Vult=115mph (3-second gust) Vasd=91mph; TCDL=4.2psf; BCDL=5.0psf; h=30ft; Ke=1.00; Cat. II; Exp B; Enclosed; MWFRS (envelope) gable end zone; cantilever left and right exposed; end vertical left and right exposed; Lumber DOL=1.33 plate grip DOL=1.33
- 2) TCLL: ASCE 7-16; Pf=25.0 psf (Lum DOL = 1.15 Plate DOL = 1.15); Is=1.0; Rough Cat B; Partially Exp.; Ce=1.0; Cs=1.00; Ct=1.10
- 3) Unbalanced snow loads have been considered for this design.
- 4) This truss has been designed for a 10.0 psf bottom chord live load nonconcurrent with any other live loads.
- 5) \* This truss has been designed for a live load of 20.0psf on the bottom chord in all areas where a rectangle 3-6-0 tall by 2-0-0 wide will fit between the bottom chord and any other members.
- 6) Provide mechanical connection (by others) of truss to bearing plate capable of withstanding 100 lb uplift at joint(s) A, F, E.
- 7) This truss is designed in accordance with the 2018 International Building Code section 2306.1 and referenced standard ANSI/TPI 1.



September 12, 2024

**WARNING - Verify design parameters and READ NOTES ON THIS AND INCLUDED MITEK REFERENCE PAGE MII-7473 rev. 6/30/2020 BEFORE USE.**

Design valid for use only with MiTek® connectors. This design is based only upon parameters shown, and is for an individual building component, not a truss system. Before use, the building designer must verify the applicability of design parameters and properly incorporate this design into the overall building design. Bracing indicated is to prevent buckling of individual truss web and/or chord members only. Additional temporary and permanent bracing is always required for stability and to prevent collapse with possible personal injury and property damage. For general guidance regarding the fabrication, storage, delivery, erection and bracing of trusses and truss systems, see

**Safety Information** available from Truss Plate Institute, 2670 Crain Highway, Suite 203 Waldorf, MD 20601



240 Stirling Crescent  
 Bradford, ON. L3Z 4L5

Job N0653A	Truss M2	Truss Type Monopitch	Qty 44	Ply 1	Buildings A-H Job Reference (optional)	U1530847
---------------	-------------	-------------------------	-----------	----------	---	----------

Alliance Truss (CA), Abbotsford, BC - V2S 7P6,

8.820 s Aug 30 2024 MiTek Industries, Inc. Thu Sep 12 02:48:09 2024 Page 1

ID:hFyjDMxrTsEK\_kgkR0vWWVzFlgc-YHq5Xr57HrC3vBa9G0Xwcje5G3274bb\_ze3TxDyeVr4



**PRMU20240285 - BLDG B**

Scale = 1:34.6

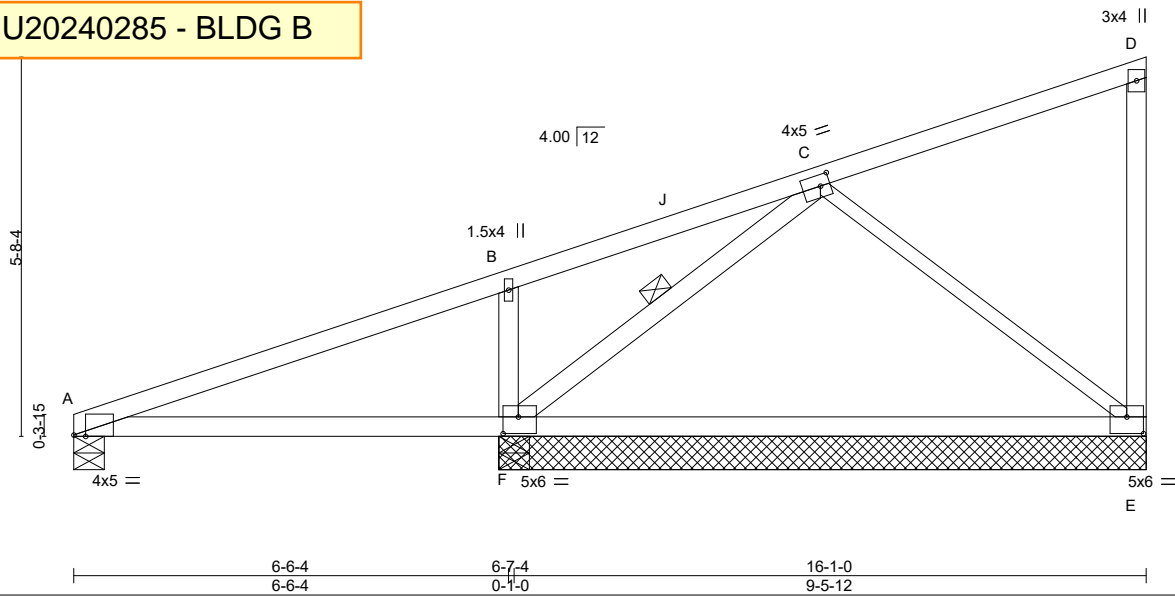


Plate Offsets (X,Y)-- [A:0-2-2,Edge], [C:0-1-12,0-2-0], [E:0-3-0,0-3-0], [F:0-2-12,0-3-0]

LOADING (psf)	SPACING-	CSI.	DEFL.	PLATES	GRIP
TCLL 25.0 (Roof Snow=25.0)	2-0-0 Plate Grip DOL 1.15 Lumber DOL 1.15	TC 0.43 BC 0.89 WB 0.87 Matrix-MS	in (loc) l/defl L/d Vert(LL) -0.21 E-F >545 360 Vert(CT) -0.40 E-F >283 240 Horz(CT) -0.04 E n/a n/a Wind(LL) 0.06 F-I >999 240	MT20	197/144
TCDL 12.0	Rep Stress Incr YES Code IBC2018/TPI2014			Weight: 57 lb	FT = 20%
BCLL 0.0 *					
BCDL 10.0					

LUMBER-	BRACING-
TOP CHORD 2x4 SPF No.2	TOP CHORD Structural wood sheathing directly applied or 4-8-15 oc purlins, except end verticals.
BOT CHORD 2x4 SPF No.2	BOT CHORD Rigid ceiling directly applied.
WEBS 2x4 SPF No.2 *Except* C-E: 2x3 SPF No.2	WEBS 1 Row at midpt C-F

**REACTIONS.** All bearings 0-5-8 except (jt=length) E=9-8-8.  
 (lb) - Max Horz A=257(LC 38)  
 Max Uplift All uplift 100 lb or less at joint(s) except A=-550(LC 31), F=-1377(LC 31), E=-601(LC 40)  
 Max Grav All reactions 250 lb or less at joint(s) except A=635(LC 52), F=1747(LC 28), F=836(LC 1), E=852(LC 27)

**FORCES.** (lb) - Max. Comp./Max. Ten. - All forces 250 (lb) or less except when shown.  
 TOP CHORD A-B=-1541/1392, B-C=-1250/1232, C-D=-1290/1209  
 BOT CHORD A-F=-1548/1488, E-F=-3159/3153  
 WEBS B-F=-446/147, C-F=-2137/2094, C-E=-966/974

- NOTES-**
- 1) Wind: ASCE 7-16; Vult=115mph (3-second gust) Vasd=91mph; TCDL=4.2psf; BCDL=5.0psf; h=30ft; Ke=1.00; Cat. II; Exp B; Enclosed; MWFRS (envelope) gable end zone; cantilever left and right exposed ; end vertical left and right exposed; Lumber DOL=1.33 plate grip DOL=1.33
  - 2) TCLL: ASCE 7-16; Pf=25.0 psf (Lum DOL = 1.15 Plate DOL = 1.15); Is=1.0; Rough Cat B; Partially Exp.; Ce=1.0; Cs=1.00; Ct=1.10
  - 3) Unbalanced snow loads have been considered for this design.
  - 4) This truss has been designed for a 10.0 psf bottom chord live load nonconcurrent with any other live loads.
  - 5) \* This truss has been designed for a live load of 20.0psf on the bottom chord in all areas where a rectangle 3-6-0 tall by 2-0-0 wide will fit between the bottom chord and any other members.
  - 6) Provide mechanical connection (by others) of truss to bearing plate capable of withstanding 550 lb uplift at joint A, 1377 lb uplift at joint F and 601 lb uplift at joint E.
  - 7) This truss is designed in accordance with the 2018 International Building Code section 2306.1 and referenced standard ANSI/TPI 1.
  - 8) This truss has been designed for a total drag load of 240 plf. Lumber DOL=(1.33) Plate grip DOL=(1.33) Connect truss to resist drag loads along bottom chord from 6-4-8 to 16-1-0 for 397.6 plf.



September 12, 2024

Job N0653A	Truss M3	Truss Type Monopitch	Qty 44	Ply 1	Buildings A-H Job Reference (optional)	U1530848
---------------	-------------	-------------------------	-----------	----------	---	----------

Alliance Truss (CA), Abbotsford, BC - V2S 7P6,

8.820 s Aug 30 2024 MiTek Industries, Inc. Thu Sep 12 02:48:10 2024 Page 1

ID:hFyjDMxrTsEK\_kgkR0vWWVzFfgc-1UOTIB6129KvXL8Lqk299xADOSQYp1G8Clp0TfyeVr3



**PRMU20240285 - BLDG B**

Scale = 1:33.8

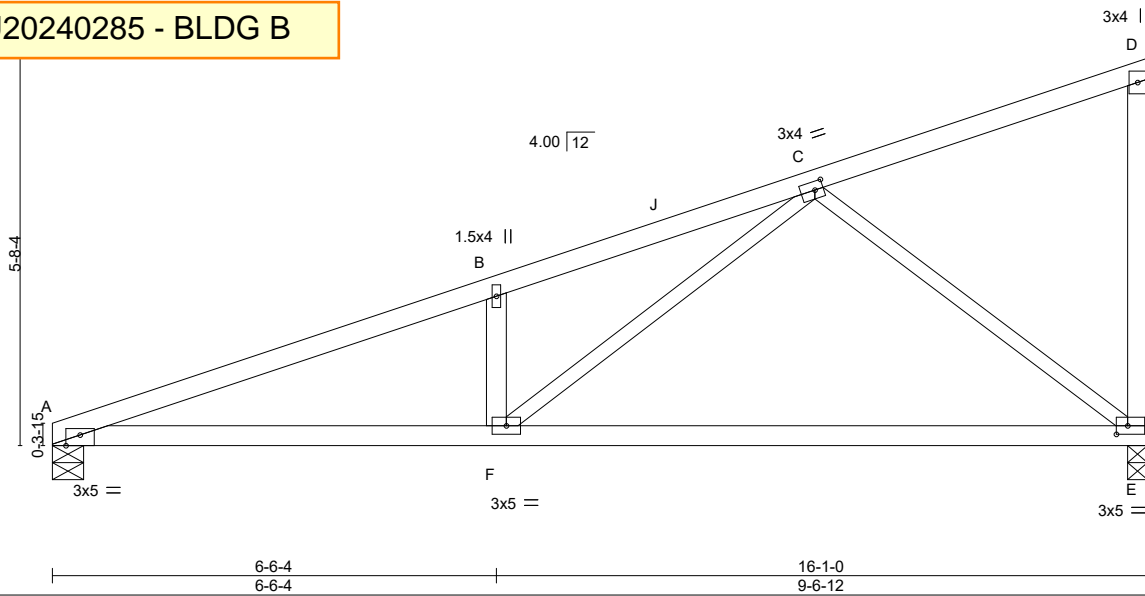


Plate Offsets (X,Y)-- [A:0-2-8,Edge], [C:0-1-8,0-1-8], [E:0-2-0,0-1-8]

LOADING (psf)	SPACING-	CSI.	DEFL.	in (loc)	l/defl	L/d	PLATES	GRIP
TCLL 25.0 (Roof Snow=25.0)	2-0-0 Plate Grip DOL 1.15 Lumber DOL 1.15	TC 0.54 BC 0.75 WB 0.90 Matrix-MS	Vert(LL) -0.23 Vert(CT) -0.46 Horz(CT) 0.03 Wind(LL) 0.06	E-F E-F E F-I	>845 >418 n/a >999	360 240 n/a 240	MT20	197/144
TCDL 12.0	Rep Stress Incr YES Code IBC2018/TPI2014						Weight: 55 lb	FT = 20%
BCLL 0.0 *								
BCDL 10.0								

**LUMBER-**

TOP CHORD 2x4 SPF No.2  
 BOT CHORD 2x4 SPF No.2  
 WEBS 2x4 SPF No.2 \*Except\*  
 C-F,C-E: 2x3 SPF No.2

**BRACING-**

TOP CHORD Structural wood sheathing directly applied or 3-6-12 oc purlins, except end verticals.  
 BOT CHORD Rigid ceiling directly applied or 10-0-0 oc bracing.

**REACTIONS.**

(size) A=0-5-8, E=0-3-8  
 Max Horz A=176(LC 9)  
 Max Uplift A=-81(LC 6), E=-108(LC 10)  
 Max Grav A=795(LC 16), E=916(LC 16)

**FORCES.** (lb) - Max. Comp./Max. Ten. - All forces 250 (lb) or less except when shown.

TOP CHORD A-B=-1739/147, B-C=-1752/205  
 BOT CHORD A-F=-176/1607, E-F=-96/806  
 WEBS B-F=-423/145, C-F=-103/1029, C-E=-1000/176

**NOTES-**

- 1) Wind: ASCE 7-16; Vult=115mph (3-second gust) Vasd=91mph; TCDL=4.2psf; BCDL=5.0psf; h=30ft; Ke=1.00; Cat. II; Exp B; Enclosed; MWFRS (envelope) gable end zone; cantilever left and right exposed; end vertical left and right exposed; Lumber DOL=1.33 plate grip DOL=1.33
- 2) TCLL: ASCE 7-16; Pf=25.0 psf (Lum DOL = 1.15 Plate DOL = 1.15); Is=1.0; Rough Cat B; Partially Exp.; Ce=1.0; Cs=1.00; Ct=1.10
- 3) Unbalanced snow loads have been considered for this design.
- 4) This truss has been designed for a 10.0 psf bottom chord live load nonconcurrent with any other live loads.
- 5) \* This truss has been designed for a live load of 20.0psf on the bottom chord in all areas where a rectangle 3-6-0 tall by 2-0-0 wide will fit between the bottom chord and any other members.
- 6) Provide mechanical connection (by others) of truss to bearing plate capable of withstanding 81 lb uplift at joint A and 108 lb uplift at joint E.
- 7) This truss is designed in accordance with the 2018 International Building Code section 2306.1 and referenced standard ANSI/TPI 1.



September 12, 2024

**WARNING - Verify design parameters and READ NOTES ON THIS AND INCLUDED MITEK REFERENCE PAGE MII-7473 rev. 6/30/2020 BEFORE USE.**

Design valid for use only with MiTek® connectors. This design is based only upon parameters shown, and is for an individual building component, not a truss system. Before use, the building designer must verify the applicability of design parameters and properly incorporate this design into the overall building design. Bracing indicated is to prevent buckling of individual truss web and/or chord members only. Additional temporary and permanent bracing is always required for stability and to prevent collapse with possible personal injury and property damage. For general guidance regarding the fabrication, storage, delivery, erection and bracing of trusses and truss systems, see

**Safety Information** available from Truss Plate Institute, 2670 Crain Highway, Suite 203 Waldorf, MD 20601

ANSI/TPI1 Quality Criteria, DSB-89 and BCSI Building Component



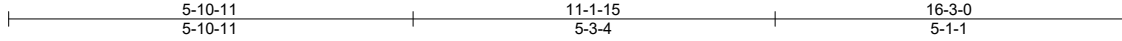
240 Stirling Crescent  
 Bradford, ON. L3Z 4L5

Job	Truss	Truss Type	Qty	Ply	Buildings A-H	U1530849
N0653A	M4	MONOPITCH	4	1		

Alliance Truss (CA), Abbotsford, BC - V2S 7P6,

8.820 s Aug 30 2024 MiTek Industries, Inc. Thu Sep 12 02:48:10 2024 Page 1

ID:hFyjDMxrTsEK\_kgkR0vWWVzFlgc-1UOTIB6I29KvXL8Lqk299xADHSPAp468Clp0TfyeVr3



**PRMU20240285 - BLDG B**

Scale = 1:33.5

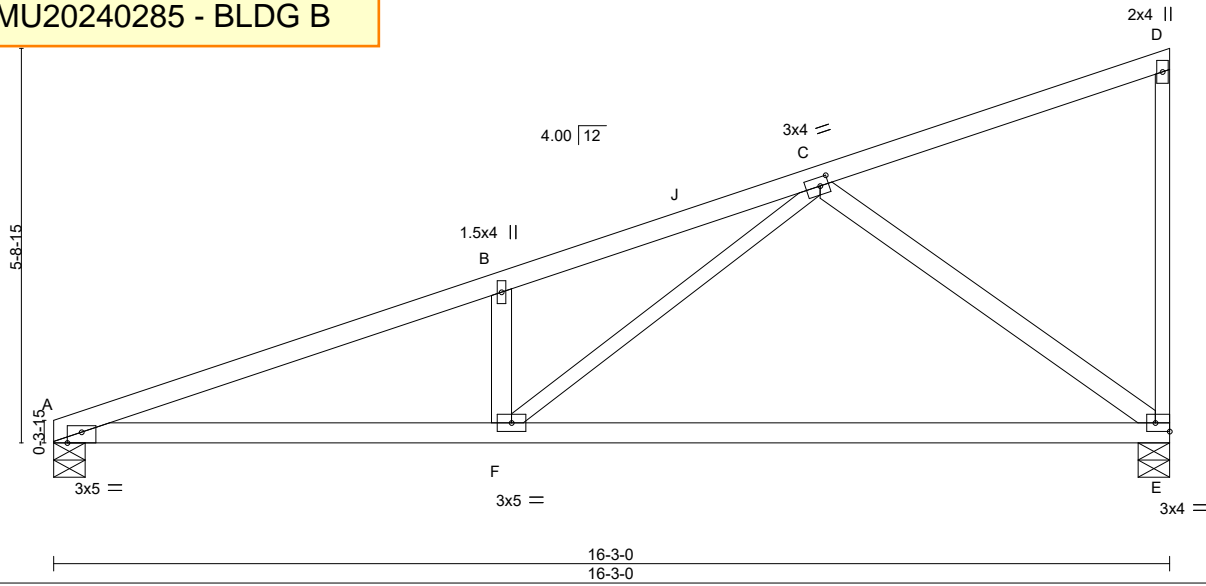


Plate Offsets (X,Y)-- [A:0-2-8,Edge], [C:0-1-8,0-1-8], [E:Edge,0-1-8]

LOADING (psf)	SPACING-	CSI.	DEFL.	in (loc)	l/defl	L/d	PLATES	GRIP	
TCLL 25.0 (Roof Snow=25.0)	2-0-0 Plate Grip DOL 1.15	TC 0.54	Vert(LL)	-0.27	E-F	>725	360	MT20	197/144
TCDL 12.0	Lumber DOL 1.15	BC 0.78	Vert(CT)	-0.54	E-F	>360	240		
BCLL 0.0 *	Rep Stress Incr YES	WB 0.72	Horz(CT)	0.03	E	n/a	n/a		
BCDL 10.0	Code IBC2018/TPI2014	Matrix-MS	Wind(LL)	0.06	F-I	>999	240		
								Weight: 56 lb	FT = 20%

**LUMBER-**

TOP CHORD 2x4 SPF No.2  
 BOT CHORD 2x4 SPF No.2  
 WEBS 2x4 SPF No.2 \*Except\*  
 D-E,C-F: 2x3 SPF No.2

**BRACING-**

TOP CHORD Structural wood sheathing directly applied or 3-6-3 oc purlins, except end verticals.  
 BOT CHORD Rigid ceiling directly applied or 10-0-0 oc bracing.

**REACTIONS.**

(size) A=0-5-8, E=0-5-8  
 Max Horz A=163(LC 6)  
 Max Uplift A=-68(LC 6), E=-123(LC 6)  
 Max Grav A=804(LC 16), E=927(LC 16)

**FORCES.** (lb) - Max. Comp./Max. Ten. - All forces 250 (lb) or less except when shown.

TOP CHORD A-B=-1770/100, B-C=-1778/157  
 BOT CHORD A-F=-216/1635, E-F=-146/846  
 WEBS B-F=-413/142, C-F=-90/1024, C-E=-1040/186

**NOTES-**

- 1) Wind: ASCE 7-16; Vult=115mph (3-second gust) Vasd=91mph; TCDL=4.2psf; BCDL=5.0psf; h=30ft; Ke=1.00; Cat. II; Exp B; Enclosed; MWFRS (envelope) gable end zone; cantilever left exposed ; end vertical left exposed; Lumber DOL=1.33 plate grip DOL=1.33
- 2) TCLL: ASCE 7-16; Pf=25.0 psf (Lum DOL = 1.15 Plate DOL = 1.15); Is=1.0; Rough Cat B; Partially Exp.; Ce=1.0; Cs=1.00; Ct=1.10
- 3) Unbalanced snow loads have been considered for this design.
- 4) This truss has been designed for a 10.0 psf bottom chord live load nonconcurrent with any other live loads.
- 5) \* This truss has been designed for a live load of 20.0psf on the bottom chord in all areas where a rectangle 3-6-0 tall by 2-0-0 wide will fit between the bottom chord and any other members.
- 6) Provide mechanical connection (by others) of truss to bearing plate capable of withstanding 68 lb uplift at joint A and 123 lb uplift at joint E.
- 7) This truss is designed in accordance with the 2018 International Building Code section 2306.1 and referenced standard ANSI/TPI 1.



September 12, 2024

**WARNING - Verify design parameters and READ NOTES ON THIS AND INCLUDED MITEK REFERENCE PAGE MII-7473 rev. 6/30/2020 BEFORE USE.**

Design valid for use only with MiTek® connectors. This design is based only upon parameters shown, and is for an individual building component, not a truss system. Before use, the building designer must verify the applicability of design parameters and properly incorporate this design into the overall building design. Bracing indicated is to prevent buckling of individual truss web and/or chord members only. Additional temporary and permanent bracing is always required for stability and to prevent collapse with possible personal injury and property damage. For general guidance regarding the fabrication, storage, delivery, erection and bracing of trusses and truss systems, see

**ANSI/TPI1 Quality Criteria, DSB-89 and BCSI Building Component**

**Safety Information** available from Truss Plate Institute, 2670 Crain Highway, Suite 203 Waldorf, MD 20601



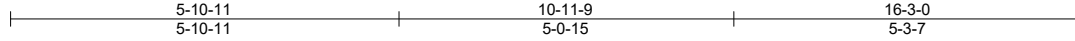
240 Stirling Crescent  
 Bradford, ON. L3Z 4L5

Job	Truss	Truss Type	Qty	Ply	Buildings A-H	U1530850
N0653A	M5	Monopitch Structural Gable	4	1		

Alliance Truss (CA), Abbotsford, BC - V2S 7P6,

8.820 s Aug 30 2024 MiTek Industries, Inc. Thu Sep 12 02:48:11 2024 Page 1

ID:hFyjDMxrTsEK\_kgkR0vWVvZFlgc-VgxryX7NpTSM8VjYORZO8jPfskYelHRyYa?5yeVr2



**PRMU20240285 - BLDG B**

Scale = 1:34.9

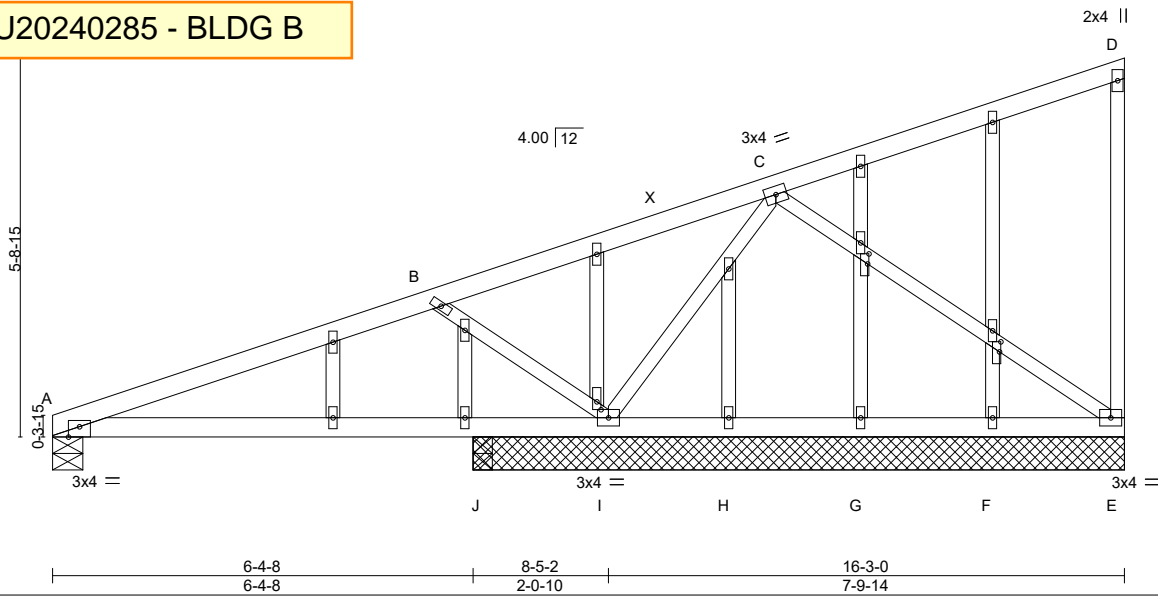


Plate Offsets (X,Y)-- [A:0-2-0,Edge], [I:0-1-7,0-0-12], [L:0-1-13,0-0-4], [N:0-1-13,0-0-4]

LOADING (psf)	SPACING-	CSI.	DEFL.	in (loc)	l/defl	L/d	PLATES	GRIP
TCLL 25.0 (Roof Snow=25.0)	2-0-0 Plate Grip DOL 1.15	TC 0.50	Vert(LL)	-0.04	J-W	>999	MT20	197/144
TCDL 12.0	Lumber DOL 1.15	BC 0.34	Vert(CT)	-0.09	J-W	>836		
BCLL 0.0 *	Rep Stress Incr YES	WB 0.31	Horz(CT)	0.01	E	n/a		
BCDL 10.0	Code IBC2018/TPI2014	Matrix-MS	Wind(LL)	0.03	J-W	>999	Weight: 66 lb	FT = 20%

**LUMBER-**

TOP CHORD 2x4 SPF No.2  
BOT CHORD 2x4 SPF No.2  
WEBS 2x3 SPF No.2  
OTHERS 2x3 SPF No.2

**BRACING-**

TOP CHORD Structural wood sheathing directly applied or 6-0-0 oc purlins, except end verticals.  
BOT CHORD Rigid ceiling directly applied or 10-0-0 oc bracing.

**REACTIONS.**

All bearings 9-10-8 except (jt=length) A=0-5-8, J=0-3-8.  
(lb) - Max Horz A=178(LC 9)  
Max Uplift All uplift 100 lb or less at joint(s) A, E except I=185(LC 10)  
Max Grav All reactions 250 lb or less at joint(s) F, G, H except A=305(LC 1), I=722(LC 16), E=369(LC 16), J=271(LC 5)

**FORCES.** (lb) - Max. Comp./Max. Ten. - All forces 250 (lb) or less except when shown.

TOP CHORD A-B=-281/29, B-C=-103/253  
WEBS B-I=-498/156, C-I=-607/128

**NOTES-**

- 1) Wind: ASCE 7-16; Vult=115mph (3-second gust) Vasd=91mph; TCDL=4.2psf; BCDL=5.0psf; h=30ft; Ke=1.00; Cat. II; Exp B; Enclosed; MWFRS (envelope) gable end zone; cantilever left and right exposed; end vertical left and right exposed; Lumber DOL=1.33 plate grip DOL=1.33
- 2) Truss designed for wind loads in the plane of the truss only. For studs exposed to wind (normal to the face), see Standard Industry Gable End Details as applicable, or consult qualified building designer as per ANSI/TPI 1.
- 3) TCLL: ASCE 7-16; Pf=25.0 psf (Lum DOL = 1.15 Plate DOL = 1.15); Is=1.0; Rough Cat B; Partially Exp.; Ce=1.0; Cs=1.00; Ct=1.10
- 4) Unbalanced snow loads have been considered for this design.
- 5) All plates are 1.5x4 MT20 unless otherwise indicated.
- 6) Gable studs spaced at 2-0-0 oc.
- 7) This truss has been designed for a 10.0 psf bottom chord live load nonconcurrent with any other live loads.
- 8) \* This truss has been designed for a live load of 20.0psf on the bottom chord in all areas where a rectangle 3-6-0 tall by 2-0-0 wide will fit between the bottom chord and any other members.
- 9) Provide mechanical connection (by others) of truss to bearing plate capable of withstanding 100 lb uplift at joint(s) A, E except (jt=length) I=185.
- 10) This truss is designed in accordance with the 2018 International Building Code section 2306.1 and referenced standard ANSI/TPI 1.



September 12, 2024

**WARNING - Verify design parameters and READ NOTES ON THIS AND INCLUDED MITEK REFERENCE PAGE MII-7473 rev. 6/30/2020 BEFORE USE.**

Design valid for use only with MiTek® connectors. This design is based only upon parameters shown, and is for an individual building component, not a truss system. Before use, the building designer must verify the applicability of design parameters and properly incorporate this design into the overall building design. Bracing indicated is to prevent buckling of individual truss web and/or chord members only. Additional temporary and permanent bracing is always required for stability and to prevent collapse with possible personal injury and property damage. For general guidance regarding the fabrication, storage, delivery, erection and bracing of trusses and truss systems, see

**ANSI/TPI1 Quality Criteria, DSB-89 and BCSI Building Component**

**Safety Information** available from Truss Plate Institute, 2670 Crain Highway, Suite 203 Waldorf, MD 20601



240 Stirling Crescent  
Bradford, ON. L3Z 4L5

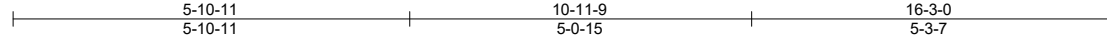
Job	Truss	Truss Type	Qty	Ply	Buildings A-H	U1530851
N0653A	M6	MONOPITCH	4	1		

Alliance Truss (CA),

Abbotsford, BC - V2S 7P6,

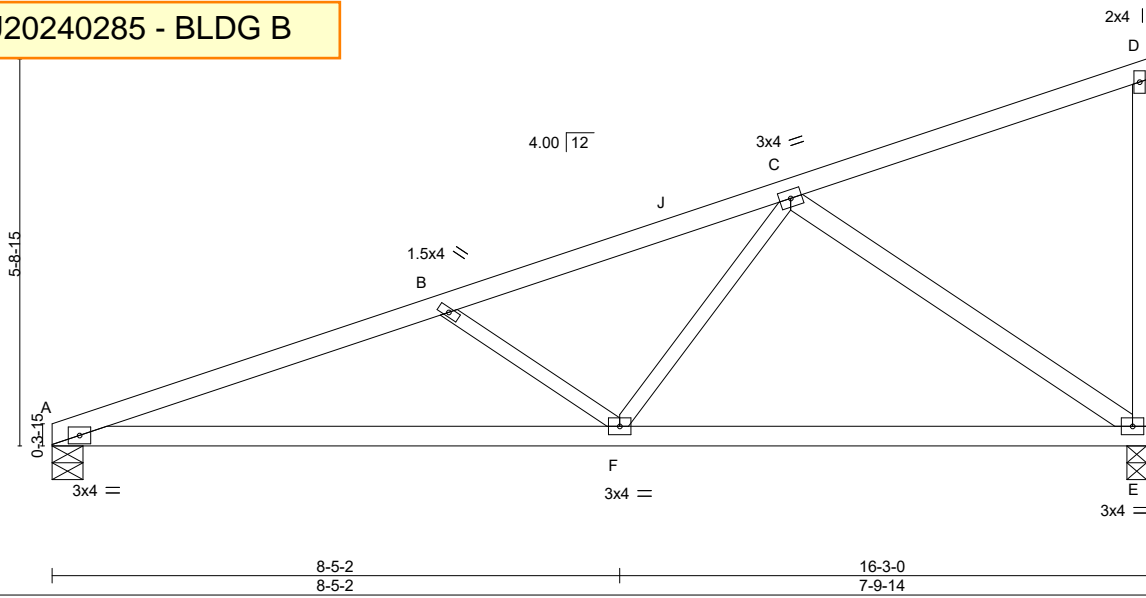
8.820 s Aug 30 2024 MiTek Industries, Inc. Thu Sep 12 02:48:11 2024 Page 1

ID:hFyjDMxrTsEK\_kgkR0vWWVzF1gc-VgxryX7NpTsm8VjYORZO8jP1sn3YWDHRYa?5yeVr2



**PRMU20240285 - BLDG B**

Scale = 1:34.2



<b>LOADING</b> (psf)	<b>SPACING-</b>	<b>CSI.</b>	<b>DEFL.</b>	<b>PLATES</b>	<b>GRIP</b>
TCLL 25.0	2-0-0	TC 0.48	in (loc) l/defl L/d	MT20	197/144
(Roof Snow=25.0)	Plate Grip DOL 1.15	BC 0.67	Vert(LL) -0.10 F-I >999 360		
TCDL 12.0	Lumber DOL 1.15	WB 0.79	Vert(CT) -0.22 F-I >876 240		
BCLL 0.0 *	Rep Stress Incr YES	Matrix-MS	Horz(CT) 0.03 E n/a n/a		
BCDL 10.0	Code IBC2018/TPI2014		Wind(LL) 0.06 F-I >999 240	Weight: 55 lb	FT = 20%

<b>LUMBER-</b>	<b>BRACING-</b>
TOP CHORD 2x4 SPF No.2	TOP CHORD Structural wood sheathing directly applied or 3-8-11 oc purlins, except end verticals.
BOT CHORD 2x4 SPF No.2	BOT CHORD Rigid ceiling directly applied or 10-0-0 oc bracing.
WEBS 2x3 SPF No.2 *Except* C-E: 2x4 SPF No.2	

**REACTIONS.** (size) A=0-5-8, E=0-3-8  
 Max Horz A=163(LC 6)  
 Max Uplift A=-68(LC 6), E=-123(LC 6)  
 Max Grav A=804(LC 16), E=927(LC 16)

**FORCES.** (lb) - Max. Comp./Max. Ten. - All forces 250 (lb) or less except when shown.  
 TOP CHORD A-B=-1762/150, B-C=-1370/76  
 BOT CHORD A-F=-267/1643, E-F=-143/909  
 WEBS B-F=-502/150, C-F=-4/597, C-E=-1101/175

- NOTES-**
- 1) Wind: ASCE 7-16; Vult=115mph (3-second gust) Vasd=91mph; TCDL=4.2psf; BCDL=5.0psf; h=30ft; Ke=1.00; Cat. II; Exp B; Enclosed; MWFRS (envelope) gable end zone; cantilever left exposed ; end vertical left exposed; Lumber DOL=1.33 plate grip DOL=1.33
  - 2) TCLL: ASCE 7-16; Pf=25.0 psf (Lum DOL = 1.15 Plate DOL = 1.15); Is=1.0; Rough Cat B; Partially Exp.; Ce=1.0; Cs=1.00; Ct=1.10
  - 3) Unbalanced snow loads have been considered for this design.
  - 4) This truss has been designed for a 10.0 psf bottom chord live load nonconcurrent with any other live loads.
  - 5) \* This truss has been designed for a live load of 20.0psf on the bottom chord in all areas where a rectangle 3-6-0 tall by 2-0-0 wide will fit between the bottom chord and any other members.
  - 6) Provide mechanical connection (by others) of truss to bearing plate capable of withstanding 100 lb uplift at joint(s) A except (jt=lb) E=123.
  - 7) This truss is designed in accordance with the 2018 International Building Code section 2306.1 and referenced standard ANSI/TPI 1.



September 12, 2024

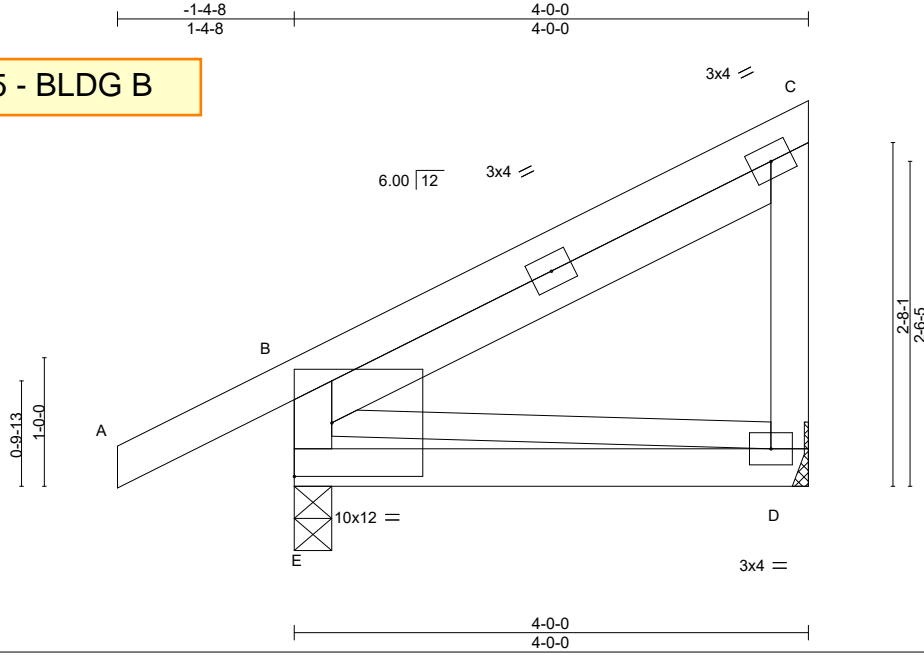
Job	Truss	Truss Type	Qty	Ply	Buildings A-H	U1530852
N0653A	N1	MONOPITCH SUPPORTED	48	1		

Alliance Truss (CA), Abbotsford, BC - V2S 7P6,

8.820 s Aug 30 2024 MiTek Industries, Inc. Thu Sep 12 02:48:12 2024 Page 1  
 ID:hFyjDMxrTsEK\_kgkR0vWWVzFgC-zsVDA8?amadmflky94dEMGdCGFgH9ZQfci7YYeVr1

**PRMU20240285 - BLDG B**

Scale = 1:17.9



LOADING (psf)	SPACING-	CSI.	DEFL.	in (loc)	l/defl	L/d	PLATES	GRIP
TCLL 25.0	2-0-0	TC 0.26	Vert(LL)	-0.01	D-E	>999	MT20	197/144
(Roof Snow=25.0)	Plate Grip DOL 1.15	BC 0.14	Vert(CT)	-0.02	D-E	>999		
TCDL 12.0	Lumber DOL 1.15	WB 0.02	Horz(CT)	-0.00	D	n/a		
BCLL 0.0 *	Rep Stress Incr YES	Matrix-MP	Wind(LL)	0.00	E	****		
BCDL 10.0	Code IBC2018/TPI2014						Weight: 22 lb	FT = 20%

**LUMBER-**

TOP CHORD 2x4 SPF No.2  
 BOT CHORD 2x4 SPF No.2  
 WEBS 2x4 SPF No.2 \*Except\*  
 B-D: 2x3 SPF No.2

**BRACING-**

TOP CHORD Structural wood sheathing directly applied or 4-0-0 oc purlins, except end verticals.  
 BOT CHORD Rigid ceiling directly applied or 6-0-0 oc bracing.

**REACTIONS.**

(size) E=0-3-8, D=Mechanical  
 Max Horz E=87(LC 7)  
 Max Uplift E=-41(LC 10), D=-30(LC 10)  
 Max Grav E=450(LC 17), D=210(LC 17)

**FORCES.** (lb) - Max. Comp./Max. Ten. - All forces 250 (lb) or less except when shown.

TOP CHORD B-E=-414/59

**NOTES-**

- 1) Wind: ASCE 7-16; Vult=115mph (3-second gust) Vasd=91mph; TCDL=4.2psf; BCDL=5.0psf; h=30ft; Ke=1.00; Cat. II; Exp B; Enclosed; MWFRS (envelope) gable end zone; cantilever left and right exposed; end vertical left and right exposed; Lumber DOL=1.33 plate grip DOL=1.33
- 2) TCLL: ASCE 7-16; Pf=25.0 psf (Lum DOL = 1.15 Plate DOL = 1.15); Is=1.0; Rough Cat B; Partially Exp.; Ce=1.0; Cs=1.00; Ct=1.10
- 3) Unbalanced snow loads have been considered for this design.
- 4) This truss has been designed for greater of min roof live load of 18.0 psf or 2.00 times flat roof load of 25.0 psf on overhangs non-concurrent with other live loads.
- 5) This truss has been designed for a 10.0 psf bottom chord live load nonconcurrent with any other live loads.
- 6) \* This truss has been designed for a live load of 20.0psf on the bottom chord in all areas where a rectangle 3-6-0 tall by 2-0-0 wide will fit between the bottom chord and any other members.
- 7) Refer to girder(s) for truss to truss connections.
- 8) Provide mechanical connection (by others) of truss to bearing plate capable of withstanding 100 lb uplift at joint(s) E, D.
- 9) This truss is designed in accordance with the 2018 International Building Code section 2306.1 and referenced standard ANSI/TPI 1.



September 12, 2024

**WARNING - Verify design parameters and READ NOTES ON THIS AND INCLUDED MITEK REFERENCE PAGE MII-7473 rev. 6/30/2020 BEFORE USE.**

Design valid for use only with MiTek® connectors. This design is based only upon parameters shown, and is for an individual building component, not a truss system. Before use, the building designer must verify the applicability of design parameters and properly incorporate this design into the overall building design. Bracing indicated is to prevent buckling of individual truss web and/or chord members only. Additional temporary and permanent bracing is always required for stability and to prevent collapse with possible personal injury and property damage. For general guidance regarding the fabrication, storage, delivery, erection and bracing of trusses and truss systems, see

**ANSI/TPI1 Quality Criteria, DSB-89 and BCSI Building Component Safety Information** available from Truss Plate Institute, 2670 Crain Highway, Suite 203 Waldorf, MD 20601



240 Stirling Crescent  
 Bradford, ON. L3Z 4L5

Job	Truss	Truss Type	Qty	Ply	Buildings A-H	U1530853
N0653A	N2	MONOPITCH	120	1		

Alliance Truss (CA), Abbotsford, BC - V2S 7P6,

8.820 s Aug 30 2024 MiTek Industries, Inc. Thu Sep 12 02:48:12 2024 Page 1

ID:hFyjDMxrTsEK\_kgkR0vWWVzFfgc-zsVDAat8?amadmflky94dEMGZIGEMH9VQfci7YYeVr1

**PRMU20240285 - BLDG B**

Scale = 1:20.4

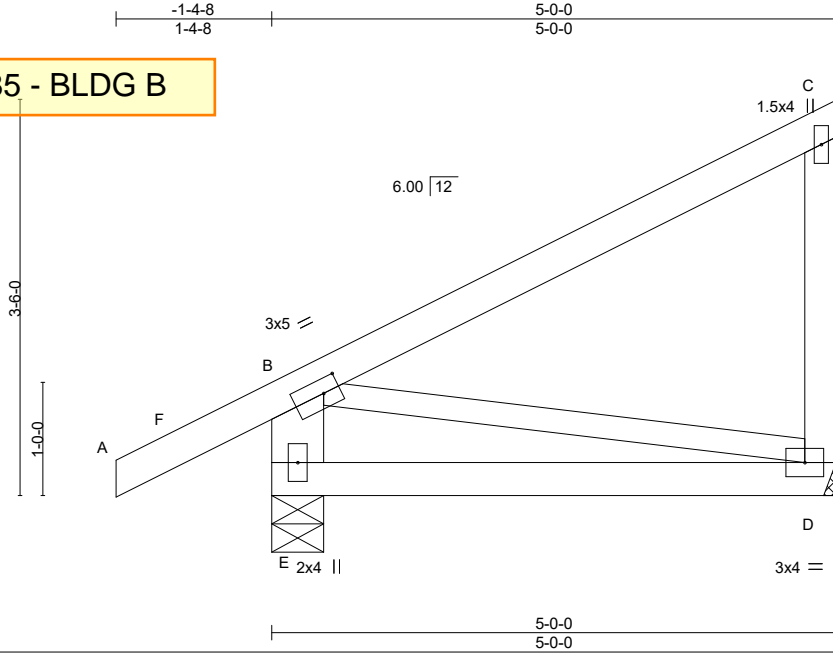


Plate Offsets (X,Y)-- [B:0-1-12,0-1-8]

LOADING (psf)	SPACING-	CSI.	DEFL.	in (loc)	l/defl	L/d	PLATES	GRIP
TCLL 25.0 (Roof Snow=25.0)	2-0-0 Plate Grip DOL 1.15 Lumber DOL 1.15	TC 0.54 BC 0.22 WB 0.02 Matrix-MP	Vert(LL) -0.03 Vert(CT) -0.05 Horz(CT) -0.00 Wind(LL) 0.00	D-E D-E D E	>999 >999 n/a ****	360 240 n/a 240	MT20	197/144
TCDL 12.0	Rep Stress Incr YES Code IBC2018/TPI2014						Weight: 22 lb	FT = 20%
BCLL 0.0 *								
BCDL 10.0								

**LUMBER-**

TOP CHORD 2x4 SPF No.2  
 BOT CHORD 2x4 SPF No.2  
 WEBS 2x4 SPF No.2 \*Except\*  
 B-E: 2x6 SPF No.2, B-D: 2x3 SPF No.2

**BRACING-**

TOP CHORD Structural wood sheathing directly applied or 5-0-0 oc purlins, except end verticals.  
 BOT CHORD Rigid ceiling directly applied or 10-0-0 oc bracing.

**REACTIONS.**

(size) D=Mechanical, E=0-5-8  
 Max Horz E=105(LC 7)  
 Max Uplift D=-38(LC 10), E=-45(LC 10)  
 Max Grav D=281(LC 17), E=485(LC 17)

**FORCES.** (lb) - Max. Comp./Max. Ten. - All forces 250 (lb) or less except when shown.

TOP CHORD B-E=-439/68

**NOTES-**

- 1) Wind: ASCE 7-16; Vult=115mph (3-second gust) Vasd=91mph; TCDL=4.2psf; BCDL=5.0psf; h=30ft; Ke=1.00; Cat. II; Exp B; Enclosed; MWFRS (envelope) gable end zone; cantilever left and right exposed; end vertical left and right exposed; Lumber DOL=1.33 plate grip DOL=1.33
- 2) TCLL: ASCE 7-16; Pf=25.0 psf (Lum DOL = 1.15 Plate DOL = 1.15); Is=1.0; Rough Cat B; Partially Exp.; Ce=1.0; Cs=1.00; Ct=1.10
- 3) Unbalanced snow loads have been considered for this design.
- 4) This truss has been designed for greater of min roof live load of 18.0 psf or 2.00 times flat roof load of 25.0 psf on overhangs non-concurrent with other live loads.
- 5) This truss has been designed for a 10.0 psf bottom chord live load nonconcurrent with any other live loads.
- 6) \* This truss has been designed for a live load of 20.0psf on the bottom chord in all areas where a rectangle 3-6-0 tall by 2-0-0 wide will fit between the bottom chord and any other members.
- 7) Refer to girder(s) for truss to truss connections.
- 8) Provide mechanical connection (by others) of truss to bearing plate capable of withstanding 100 lb uplift at joint(s) D, E.
- 9) This truss is designed in accordance with the 2018 International Building Code section 2306.1 and referenced standard ANSI/TPI 1.



September 12, 2024

**WARNING - Verify design parameters and READ NOTES ON THIS AND INCLUDED MITEK REFERENCE PAGE MII-7473 rev. 6/30/2020 BEFORE USE.**

Design valid for use only with MiTek® connectors. This design is based only upon parameters shown, and is for an individual building component, not a truss system. Before use, the building designer must verify the applicability of design parameters and properly incorporate this design into the overall building design. Bracing indicated is to prevent buckling of individual truss web and/or chord members only. Additional temporary and permanent bracing is always required for stability and to prevent collapse with possible personal injury and property damage. For general guidance regarding the fabrication, storage, delivery, erection and bracing of trusses and truss systems, see

**Safety Information** available from Truss Plate Institute, 2670 Crain Highway, Suite 203 Waldorf, MD 20601

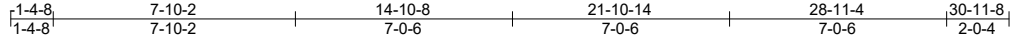


240 Stirling Crescent  
 Bradford, ON. L3Z 4L5



Job	Truss	Truss Type	Qty	Ply	Buildings A-H	U1530854
N0653A	P1	GABLE	7	1		

Alliance Truss (CA), Abbotsford, BC - V2S 7P6, 8.820 s Aug 30 2024 MiTek Industries, Inc. Thu Sep 12 02:48:14 2024 Page 1  
 ID:hFyjDMxrTsEK\_kgkR0vWWVzFlgc-vFd\_bZ9G6OqL?zS73Z65JnLs14pLlqDj7wnEcQyeVr?



**PRMU20240285 - BLDG B**

5x8 ||  
3x4 =  
Scale = 1:74.6

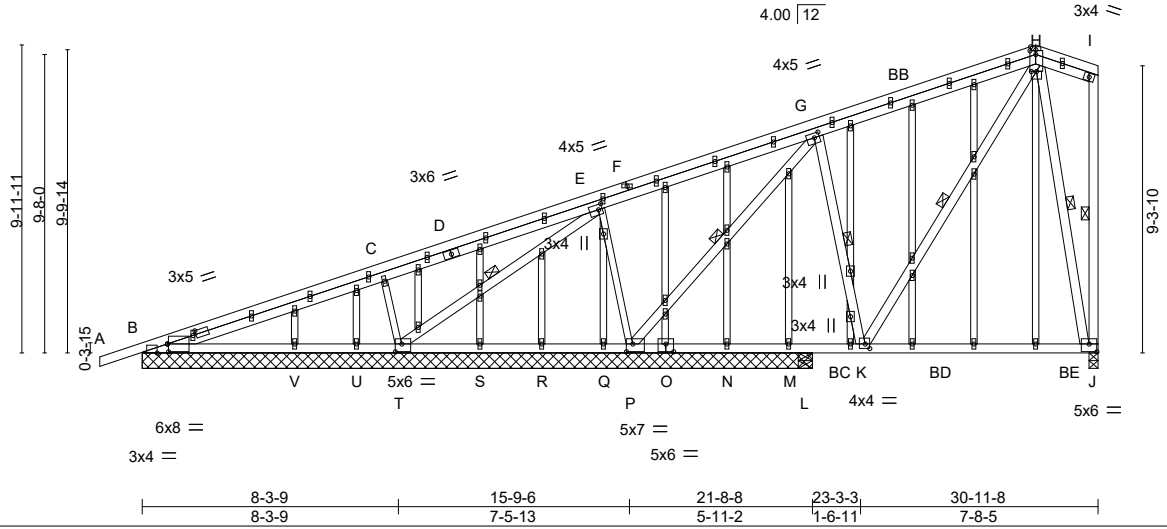


Plate Offsets (X,Y)-- [B:0-0-7,0-3-0], [B:0-11-12,0-1-8], [B:0-4-0,Edge], [E:0-1-8,0-2-0], [G:0-2-0,0-1-12], [H:0-1-8,0-2-4], [H:0-2-0,0-0-0], [H:0-2-0,Edge], [J:0-3-0,0-3-0], [K:0-1-12,0-1-12], [O:0-3-0,0-3-0], [P:0-2-8,0-3-0], [T:0-2-8,0-3-0]

<b>LOADING</b> (psf)	<b>SPACING-</b>	<b>CSI.</b>	<b>DEFL.</b>	in (loc)	l/defl	L/d	<b>PLATES</b>	<b>GRIP</b>
TCLL 25.0 (Roof Snow=25.0)	2-0-0	TC 0.75	Vert(LL) -0.16	J-K	>692	360	MT20	197/144
TCDL 12.0	Plate Grip DOL 1.15	BC 0.64	Vert(CT) -0.26	J-K	>432	240		
BCLL 0.0 *	Lumber DOL 1.15	WB 0.97	Horz(CT) -0.02	N	n/a	n/a		
BCDL 10.0	Rep Stress Incr YES	Matrix-MS	Wind(LL) 0.04	V-BA	>999	240	Weight: 226 lb	FT = 20%
	Code IBC2018/TPI2014							

<b>LUMBER-</b>	<b>BRACING-</b>
TOP CHORD 2x4 SPF No.2	TOP CHORD Structural wood sheathing directly applied or 3-3-3 oc purlins, except end verticals.
BOT CHORD 2x4 SPF No.2	BOT CHORD Rigid ceiling directly applied or 3-9-8 oc bracing.
WEBS 2x4 SPF No.2 *Except*	WEBS 1 Row at midpt E-T, G-P, G-K, H-K, I-J, H-J
C-T,E-P: 2x3 SPF No.2	
OTHERS 2x3 SPF No.2	

**REACTIONS.** All bearings 21-8-8 except (jt=length) J=0-3-8, L=0-5-8.  
 (lb) - Max Horz B=754(LC 35)  
 Max Uplift All uplift 100 lb or less at joint(s) M, U, V except B=-1006(LC 32), T=-1651(LC 40), P=-1094(LC 32), J=-1170(LC 33), L=-198(LC 19)  
 Max Grav All reactions 250 lb or less at joint(s) M, N, Q, R, S, U, L except B=1117(LC 27), T=1750(LC 53), P=1693(LC 29), J=1557(LC 26), V=330(LC 26), B=481(LC 1)

**FORCES.** (lb) - Max. Comp./Max. Ten. - All forces 250 (lb) or less except when shown.  
 TOP CHORD B-C=-2932/2749, C-E=-966/930, E-G=-1569/1477, G-H=-1624/1472, H-I=-529/553  
 BOT CHORD B-V=-2174/2051, U-V=-1082/954, T-U=-393/270, S-T=-1915/1800, R-S=-1022/908, Q-R=-592/477, P-Q=-891/776, N-P=-903/1006, M-N=-1023/1097, L-M=-1209/1282, K-L=-1209/1282, J-K=-293/295  
 WEBS C-T=-539/202, E-T=-2562/2500, E-P=-943/931, G-P=-2452/2236, G-K=-1136/1260, H-K=-1336/1472, H-J=-1456/1228

- NOTES-**
- 1) Wind: ASCE 7-16; Vult=115mph (3-second gust) Vasd=91mph; TCDL=4.2psf; BCDL=5.0psf; h=30ft; Ke=1.00; Cat. II; Exp B; Enclosed; MWFRS (envelope) gable end zone; cantilever left and right exposed ; end vertical left and right exposed; Lumber DOL=1.33 plate grip DOL=1.33
  - 2) Truss designed for wind loads in the plane of the truss only. For studs exposed to wind (normal to the face), see Standard Industry Gable End Details as applicable, or consult qualified building designer as per ANSI/TPI 1.
  - 3) TCLL: ASCE 7-16; Pf=25.0 psf (Lum DOL = 1.15 Plate DOL = 1.15); ls=1.0; Rough Cat B; Partially Exp.; Ce=1.0; Cs=1.00; Ct=1.10
  - 4) Unbalanced snow loads have been considered for this design.
  - 5) This truss has been designed for greater of min roof live load of 20.0 psf or 2.00 times flat roof load of 25.0 psf on overhangs non-concurrent with other live loads.
  - 6) All plates are 1.5x4 MT20 unless otherwise indicated.
  - 7) Gable studs spaced at 2-0-0 oc.
  - 8) This truss has been designed for a 10.0 psf bottom chord live load nonconcurrent with any other live loads.
  - 9) \* This truss has been designed for a live load of 20.0psf on the bottom chord in all areas where a rectangle 3-6-0 tall by 2-0-0 wide will fit between the bottom chord and any other members, with BCDL = 10.0psf.
  - 10) Provide mechanical connection (by others) of truss to bearing plate capable of withstanding 100 lb uplift at joint(s) M, U, V except (jt=lb) B=1006, T=1651, P=1094, J=1170, L=198, B=1006.



September 12, 2024

Continued on page 2

**WARNING - Verify design parameters and READ NOTES ON THIS AND INCLUDED MITEK REFERENCE PAGE MII-7473 rev. 6/30/2020 BEFORE USE.**  
 Design valid for use only with MiTek® connectors. This design is based only upon parameters shown, and is for an individual building component, not a truss system. Before use, the building designer must verify the applicability of design parameters and properly incorporate this design into the overall building design. Bracing indicated is to prevent buckling of individual truss web and/or chord members only. Additional temporary and permanent bracing is always required for stability and to prevent collapse with possible personal injury and property damage. For general guidance regarding the fabrication, storage, delivery, erection and bracing of trusses and truss systems, see **ANSI/TPI1 Quality Criteria, DSB-89 and BCSI Building Component Safety Information** available from Truss Plate Institute, 2670 Crain Highway, Suite 203 Waldorf, MD 20601



Job	Truss	Truss Type	Qty	Ply	Buildings A-H
N0653A	P1	GABLE	7	1	U1530854


Alliance Truss (CA), Abbotsford, BC - V2S 7P6,

8.820 s Aug 30 2024 MiTek Industries, Inc. Thu Sep 12 02:48:14 2024 Page 2  
 ID:hFyjDMxrTsEK\_kgkR0vWWVzFlgc-vFd\_bZ9G6OqL?zS73Z65JnLs14pLqDj7wnEcQyeVr?

**NOTES-**

- 11) This truss is designed in accordance with the 2018 International Building Code section 2306.1 and referenced standard ANSI/TPI 1.
- 12) This truss has been designed for a total drag load of 240 plf. Lumber DOL=(1.33) Plate grip DOL=(1.33) Connect truss to resist drag loads along bottom chord from 0-0-0 to 21'-9" from left end.
- 13) No notches allowed in overhang and 10'-0" from left end and 0 from right end or 12" along rake from scarf, whichever is larger. Minimum 1.5x4 tie plates required at 2'-0" o.c. maximum between the stacking chords. For edge-wise notching, provide at least one tie plate between each notch.

PRMU20240285 - BLDG B

 **WARNING - Verify design parameters and READ NOTES ON THIS AND INCLUDED MITEK REFERENCE PAGE MII-7473 rev. 6/30/2020 BEFORE USE.**  
 Design valid for use only with MiTek® connectors. This design is based only upon parameters shown, and is for an individual building component, not a truss system. Before use, the building designer must verify the applicability of design parameters and properly incorporate this design into the overall building design. Bracing indicated is to prevent buckling of individual truss web and/or chord members only. Additional temporary and permanent bracing is always required for stability and to prevent collapse with possible personal injury and property damage. For general guidance regarding the fabrication, storage, delivery, erection and bracing of trusses and truss systems, see **ANSI/TPI1 Quality Criteria, DSB-89 and BCSI Building Component Safety Information** available from Truss Plate Institute, 2670 Crain Highway, Suite 203 Waldorf, MD 20601

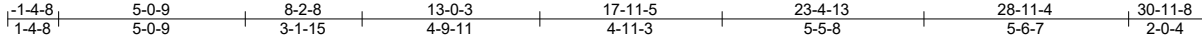


Job	Truss	Truss Type	Qty	Ply	Buildings A-H	U1530855
N0653A	P2A	Scissor	38	1		

Alliance Truss (CA), Abbotsford, BC - V2S 7P6,

8.820 s Aug 30 2024 MiTek Industries, Inc. Thu Sep 12 02:48:15 2024 Page 1

ID:hFyjDMxrTsEK\_kgkR0vWWWzFlgc-NRBMovAuthyCd61JdHeKs\_u3ET5VUJXLZWN9syeVr\_



**PRMU20240285 - BLDG B**

Scale = 1:62.3

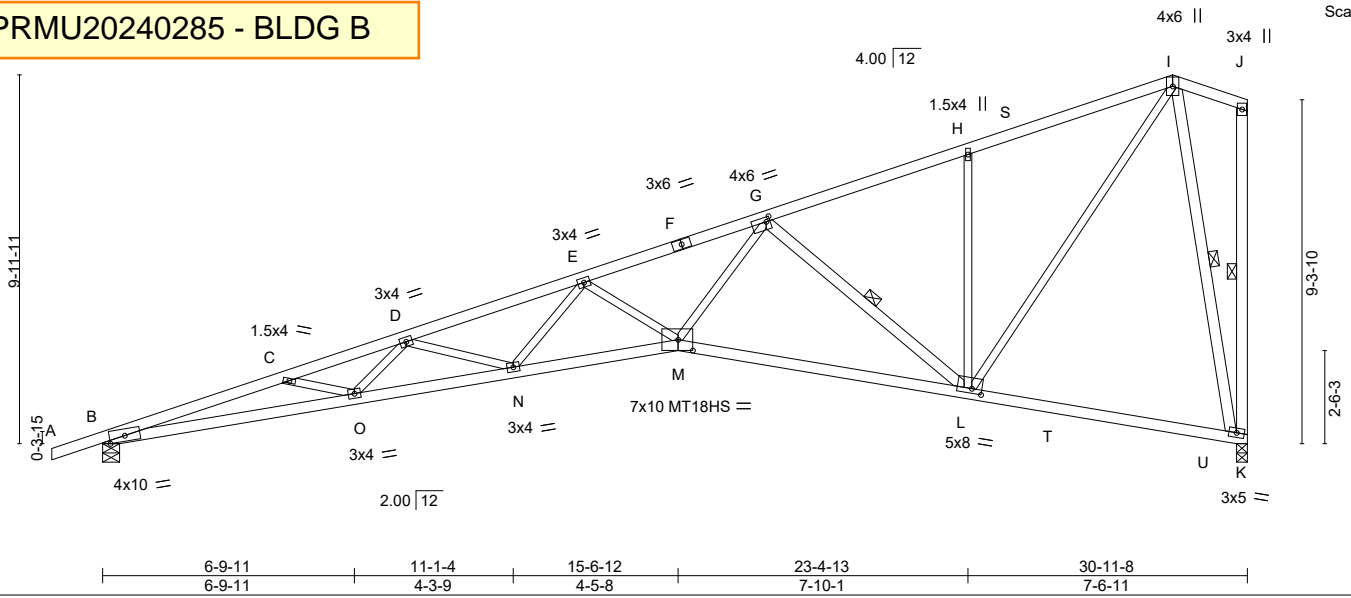


Plate Offsets (X,Y)-- [G:0-1-4,0-1-8], [L:0-3-4,0-1-8], [M:0-4-12,0-3-8]

LOADING (psf)	SPACING-	CSI.	DEFL.	PLATES	GRIP
TCLL 25.0 (Roof Snow=25.0)	2-0-0 Plate Grip DOL 1.15	TC 0.59	in (loc) l/defl L/d	MT20	197/144
TCDL 12.0	Lumber DOL 1.15	BC 0.83	Vert(LL) -0.54 N-O >683 360	MT18HS	197/144
BCLL 0.0 *	Rep Stress Incr YES	WB 0.84	Vert(CT) -0.98 N-O >376 240		
BCDL 10.0	Code IBC2018/TPI2014	Matrix-MS	Horz(CT) 0.45 K n/a n/a		
			Wind(LL) 0.31 N-O >999 240	Weight: 131 lb	FT = 20%

**LUMBER-**

TOP CHORD 2x4 SPF No.2 \*Except\*  
A-F: 2x4 SPF 2100F 1.8E  
BOT CHORD 2x4 SPF 2100F 1.8E  
WEBS 2x3 SPF No.2 \*Except\*  
G-L,J-K,I-K: 2x4 SPF No.2

**BRACING-**

TOP CHORD Structural wood sheathing directly applied or 2-4-4 oc purlins, except end verticals.  
BOT CHORD Rigid ceiling directly applied or 8-3-6 oc bracing.  
WEBS 1 Row at midpt G-L, J-K, I-K

**REACTIONS.**

(size) B=0-5-8, K=0-3-8  
Max Horz B=300(LC 9)  
Max Uplift B=-205(LC 6), K=-185(LC 6)  
Max Grav B=1586(LC 3), K=1547(LC 3)

**FORCES.** (lb) - Max. Comp./Max. Ten. - All forces 250 (lb) or less except when shown.

TOP CHORD B-C=-6709/822, C-D=-6571/758, D-E=-5757/677, E-G=-4567/538, G-H=-1496/191, H-I=-1515/253  
BOT CHORD B-O=-903/6397, N-O=-838/6187, M-N=-656/5068, L-M=-362/2974, K-L=-89/322  
WEBS D-N=-721/153, E-N=-55/729, E-M=-877/183, G-M=-259/2437, G-L=-2054/322, H-L=-479/152, I-L=-262/1982, I-K=-1478/168

**NOTES-**

- Wind: ASCE 7-16; Vult=115mph (3-second gust) Vasd=91mph; TCDL=4.2psf; BCDL=5.0psf; h=30ft; Ke=1.00; Cat. II; Exp B; Enclosed; MWFRS (envelope) gable end zone; cantilever left and right exposed; end vertical left and right exposed; Lumber DOL=1.33 plate grip DOL=1.33
- TCLL: ASCE 7-16; Pf=25.0 psf (Lum DOL = 1.15 Plate DOL = 1.15); Is=1.0; Rough Cat B; Partially Exp.; Ce=1.0; Cs=1.00; Ct=1.10
- Unbalanced snow loads have been considered for this design.
- This truss has been designed for greater of min roof live load of 20.0 psf or 2.00 times flat roof load of 25.0 psf on overhangs non-concurrent with other live loads.
- All plates are MT20 plates unless otherwise indicated.
- This truss has been designed for a 10.0 psf bottom chord live load nonconcurrent with any other live loads.
- \* This truss has been designed for a live load of 20.0psf on the bottom chord in all areas where a rectangle 3-6-0 tall by 2-0-0 wide will fit between the bottom chord and any other members, with BCDL = 10.0psf.
- Bearing at joint(s) B, K considers parallel to grain value using ANSI/TPI 1 angle to grain formula. Building designer should verify capacity of bearing surface.
- Provide mechanical connection (by others) of truss to bearing plate capable of withstanding 100 lb uplift at joint(s) except (jt=lb) B=205, K=185.
- This truss is designed in accordance with the 2018 International Building Code section 2306.1 and referenced standard ANSI/TPI 1.



September 12, 2024

**WARNING - Verify design parameters and READ NOTES ON THIS AND INCLUDED MITEK REFERENCE PAGE MII-7473 rev. 6/30/2020 BEFORE USE.**

Design valid for use only with MiTek® connectors. This design is based only upon parameters shown, and is for an individual building component, not a truss system. Before use, the building designer must verify the applicability of design parameters and properly incorporate this design into the overall building design. Bracing indicated is to prevent buckling of individual truss web and/or chord members only. Additional temporary and permanent bracing is always required for stability and to prevent collapse with possible personal injury and property damage. For general guidance regarding the fabrication, storage, delivery, erection and bracing of trusses and truss systems, see

**Safety Information** available from Truss Plate Institute, 2670 Crain Highway, Suite 203 Waldorf, MD 20601



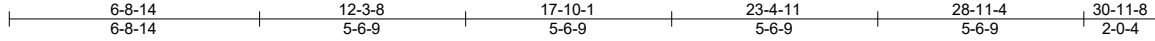
240 Stirling Crescent  
Bradford, ON. L3Z 4L5

Job N0653A	Truss P3A	Truss Type Scissor	Qty 4	Ply 1	Buildings A-H	U1530856
---------------	--------------	-----------------------	----------	----------	---------------	----------

Alliance Truss (CA), Abbotsford, BC - V2S 7P6,

8.820 s Aug 30 2024 MiTek Industries, Inc. Thu Sep 12 02:48:16 2024 Page 1

ID:hFyjDMxrTsEK\_kgkR0vWVWzFlgc-rdlk?FBWw?43FGcVB\_9ZOCQC5rJDms0aDGLgJyeVqz



**PRMU20240285 - BLDG B**

Scale = 1:62.0

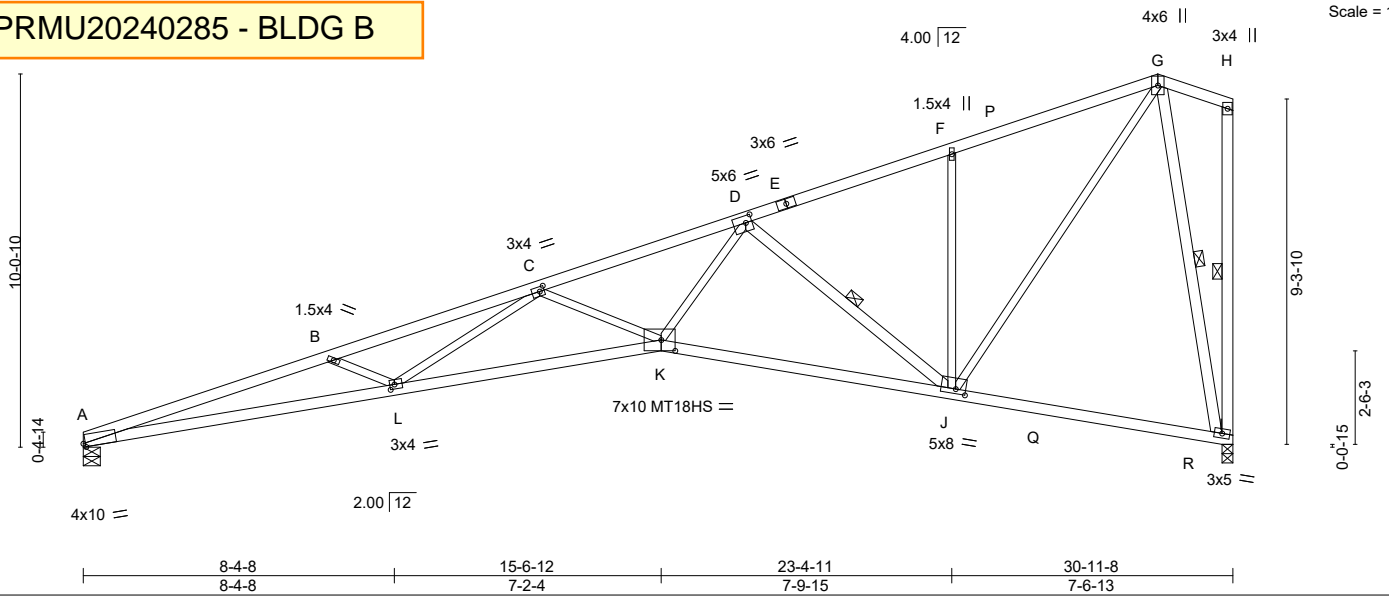


Plate Offsets (X,Y)-- [A:0-0-11,Edge], [C:0-1-8,0-1-8], [D:0-2-0,0-2-4], [J:0-3-4,0-1-8], [K:0-4-8,0-3-8], [L:0-1-8,0-1-8]

LOADING (psf)	SPACING-	CSI.	DEFL.	PLATES	GRIP
TCLL 25.0 (Roof Snow=25.0)	2-0-0 Plate Grip DOL 1.15 Lumber DOL 1.15	TC 0.72 BC 0.86 WB 0.83	in (loc) l/defl L/d Vert(LL) -0.59 K-L >623 360 Vert(CT) -1.09 K-L >339 240 Horz(CT) 0.45 I n/a n/a Wind(LL) 0.32 K-L >999 240	MT20 MT18HS	197/144 197/144
TCDL 12.0	Rep Stress Incr YES Code IBC2018/TPI2014	Matrix-MS		Weight: 127 lb	FT = 20%
BCLL 0.0 *					
BCDL 10.0					

**LUMBER-**

TOP CHORD 2x4 SPF No.2 \*Except\*  
A-E: 2x4 SPF 2100F 1.8E  
BOT CHORD 2x4 SPF 2100F 1.8E  
WEBS 2x3 SPF No.2 \*Except\*  
D-J,H-I,G-I: 2x4 SPF No.2

**BRACING-**

TOP CHORD Structural wood sheathing directly applied or 2-3-2 oc purlins, except end verticals.  
BOT CHORD Rigid ceiling directly applied or 8-2-2 oc bracing.  
WEBS 1 Row at midpt D-J, H-I, G-I

**REACTIONS.**

(size) A=0-5-8, I=0-3-8  
Max Horz A=292(LC 9)  
Max Uplift A=-160(LC 6), I=-186(LC 6)  
Max Grav A=1499(LC 3), I=1549(LC 3)

**FORCES.** (lb) - Max. Comp./Max. Ten. - All forces 250 (lb) or less except when shown.

TOP CHORD A-B=-6798/848, B-C=-6399/734, C-D=-4600/539, D-F=-1502/193, F-G=-1520/255  
BOT CHORD A-L=-921/6500, K-L=-713/5265, J-K=-372/3038, I-J=-89/322  
WEBS B-L=-487/180, C-L=-55/1066, C-K=-995/222, D-K=-249/2425, D-J=-2108/331, F-J=-480/151, G-J=-263/1985, G-I=-1478/168

**NOTES-**

- Wind: ASCE 7-16; Vult=115mph (3-second gust) Vasd=91mph; TCDL=4.2psf; BCDL=5.0psf; h=30ft; Ke=1.00; Cat. II; Exp B; Enclosed; MWFRS (envelope) gable end zone; cantilever left and right exposed; end vertical left and right exposed; Lumber DOL=1.33 plate grip DOL=1.33
- TCLL: ASCE 7-16; Pf=25.0 psf (Lum DOL = 1.15 Plate DOL = 1.15); Is=1.0; Rough Cat B; Partially Exp.; Ce=1.0; Cs=1.00; Ct=1.10
- Unbalanced snow loads have been considered for this design.
- All plates are MT20 plates unless otherwise indicated.
- This truss has been designed for a 10.0 psf bottom chord live load nonconcurrent with any other live loads.
- \* This truss has been designed for a live load of 20.0psf on the bottom chord in all areas where a rectangle 3-6-0 tall by 2-0-0 wide will fit between the bottom chord and any other members, with BCDL = 10.0psf.
- Bearing at joint(s) I considers parallel to grain value using ANSI/TPI 1 angle to grain formula. Building designer should verify capacity of bearing surface.
- Provide mechanical connection (by others) of truss to bearing plate capable of withstanding 100 lb uplift at joint(s) except (jt=lb) A=160, I=186.
- Beveled plate or shim required to provide full bearing surface with truss chord at joint(s) A.
- This truss is designed in accordance with the 2018 International Building Code section 2306.1 and referenced standard ANSI/TPI 1.



September 12, 2024

**WARNING - Verify design parameters and READ NOTES ON THIS AND INCLUDED MITEK REFERENCE PAGE MII-7473 rev. 6/30/2020 BEFORE USE.**

Design valid for use only with MiTek® connectors. This design is based only upon parameters shown, and is for an individual building component, not a truss system. Before use, the building designer must verify the applicability of design parameters and properly incorporate this design into the overall building design. Bracing indicated is to prevent buckling of individual truss web and/or chord members only. Additional temporary and permanent bracing is always required for stability and to prevent collapse with possible personal injury and property damage. For general guidance regarding the fabrication, storage, delivery, erection and bracing of trusses and truss systems, see

**Safety Information** available from Truss Plate Institute, 2670 Crain Highway, Suite 203 Waldorf, MD 20601

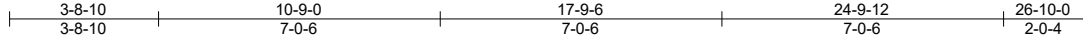


240 Stirling Crescent  
Bradford, ON. L3Z 4L5

Job	Truss	Truss Type	Qty	Ply	Buildings A-H	U1530788
N0653A	P4	Common	25	1		

Alliance Truss (CA), Abbotsford, BC - V2S 7P6, 8.630 s Jul 12 2024 MiTek Industries, Inc. Thu Sep 12 02:47:35 2024 Page 1

ID:hFyjDMxrTsEK\_kgkR0vWWVzFgC-RfC?PsB70Hq3NSgPqnL8w3ulTXbGKWrCDoi7J4zJC?f



**PRMU20240285 - BLDG B**

Scale = 1:57.5

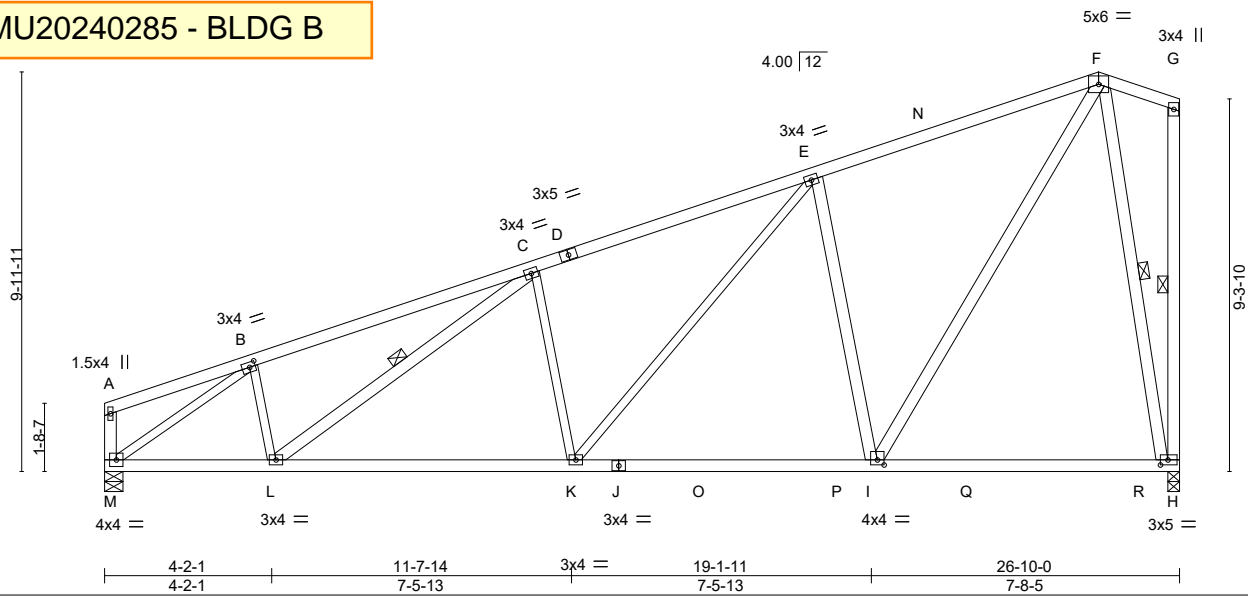


Plate Offsets (X,Y)-- [B:0-1-12,0-1-8], [H:0-2-4,0-1-8], [I:0-2-0,0-1-8]

LOADING (psf)	SPACING-	CSI.	DEFL.	in (loc)	l/defl	L/d	PLATES	GRIP
TCLL 25.0 (Roof Snow=25.0)	2-0-0 Plate Grip DOL 1.15 Lumber DOL 1.15	TC 0.72 BC 0.72 WB 0.97 Matrix-MS	Vert(LL) -0.16 Vert(CT) -0.26 Horz(CT) 0.05 Wind(LL) 0.06	H-I H-I H K-L	>999 >999 n/a >999	360 240 n/a 240	MT20	197/144
TCDL 12.0	Rep Stress Incr YES Code IBC2018/TPI2014						Weight: 132 lb	FT = 20%
BCLL 0.0 *								
BCDL 10.0								

**LUMBER-**

TOP CHORD 2x4 SPF No.2  
 BOT CHORD 2x4 SPF No.2  
 WEBS 2x4 SPF No.2 \*Except\*  
 B-L,C-K,E-K,B-M: 2x3 SPF No.2

**BRACING-**

TOP CHORD Structural wood sheathing directly applied or 3-7-7 oc purlins, except end verticals.  
 BOT CHORD Rigid ceiling directly applied or 10-0-0 oc bracing.  
 WEBS 1 Row at midpt C-L, G-H, F-H

**REACTIONS.**

(size) M=0-5-8, H=0-3-8  
 Max Horz M=285(LC 9)  
 Max Uplift M=-134(LC 6), H=-162(LC 6)  
 Max Grav M=1315(LC 3), H=1375(LC 3)

**FORCES.** (lb) - Max. Comp./Max. Ten. - All forces 250 (lb) or less except when shown.

TOP CHORD B-C=-1838/235, C-E=-1856/258, E-F=-1121/203  
 BOT CHORD L-M=-260/1628, K-L=-227/1770, I-K=-132/1159, H-I=-84/251  
 WEBS B-L=0/298, C-K=-472/178, E-K=-127/854, E-I=-983/250, F-I=-199/1456, B-M=-1974/205, F-H=-1277/165

**NOTES-**

- Wind: ASCE 7-16; Vult=115mph (3-second gust) Vasd=91mph; TCDL=4.2psf; BCDL=5.0psf; h=30ft; Ke=1.00; Cat. II; Exp B; Enclosed; MWFRS (envelope) gable end zone; cantilever left and right exposed ; end vertical left and right exposed; Lumber DOL=1.33 plate grip DOL=1.33
- TCLL: ASCE 7-16; Pf=25.0 psf (Lum DOL=1.15 Plate DOL=1.15); Is=1.0; Rough Cat B; Partially Exp.; Ce=1.0; Cs=1.00; Ct=1.10
- Unbalanced snow loads have been considered for this design.
- This truss has been designed for a 10.0 psf bottom chord live load nonconcurrent with any other live loads.
- \* This truss has been designed for a live load of 20.0psf on the bottom chord in all areas where a rectangle 3-6-0 tall by 2-0-0 wide will fit between the bottom chord and any other members, with BCDL = 10.0psf.
- Provide mechanical connection (by others) of truss to bearing plate capable of withstanding 100 lb uplift at joint(s) except (jt=lb) M=134, H=162.
- This truss is designed in accordance with the 2018 International Building Code section 2306.1 and referenced standard ANSI/TPI 1.



September 12, 2024

**WARNING - Verify design parameters and READ NOTES ON THIS AND INCLUDED MITEK REFERENCE PAGE MII-7473 rev. 6/30/2020 BEFORE USE.**

Design valid for use only with MiTek® connectors. This design is based only upon parameters shown, and is for an individual building component, not a truss system. Before use, the building designer must verify the applicability of design parameters and properly incorporate this design into the overall building design. Bracing indicated is to prevent buckling of individual truss web and/or chord members only. Additional temporary and permanent bracing is always required for stability and to prevent collapse with possible personal injury and property damage. For general guidance regarding the fabrication, storage, delivery, erection and bracing of trusses and truss systems, see

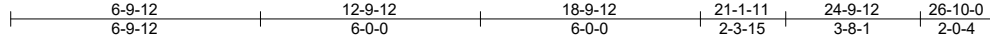
**Safety Information** available from Truss Plate Institute, 2670 Crain Highway, Suite 203 Waldorf, MD 20601



240 Stirling Crescent  
 Bradford, ON. L3Z 4L5

Job	Truss	Truss Type	Qty	Ply	Buildings A-H	U1530789
N0653A	P5	GABLE	4	1		

Alliance Truss (CA), Abbotsford, BC - V2S 7P6, 8.630 s Jul 12 2024 MiTek Industries, Inc. Thu Sep 12 02:47:37 2024 Page 1  
 ID:hFyjDMxrTsEK\_kgkR0vWWVzFfgc-RfC?PsB70Hq3NSgPqnL8w3ulTXbGKwRCDoi7J4zJC?f



**PRMU20240285 - BLDG B**

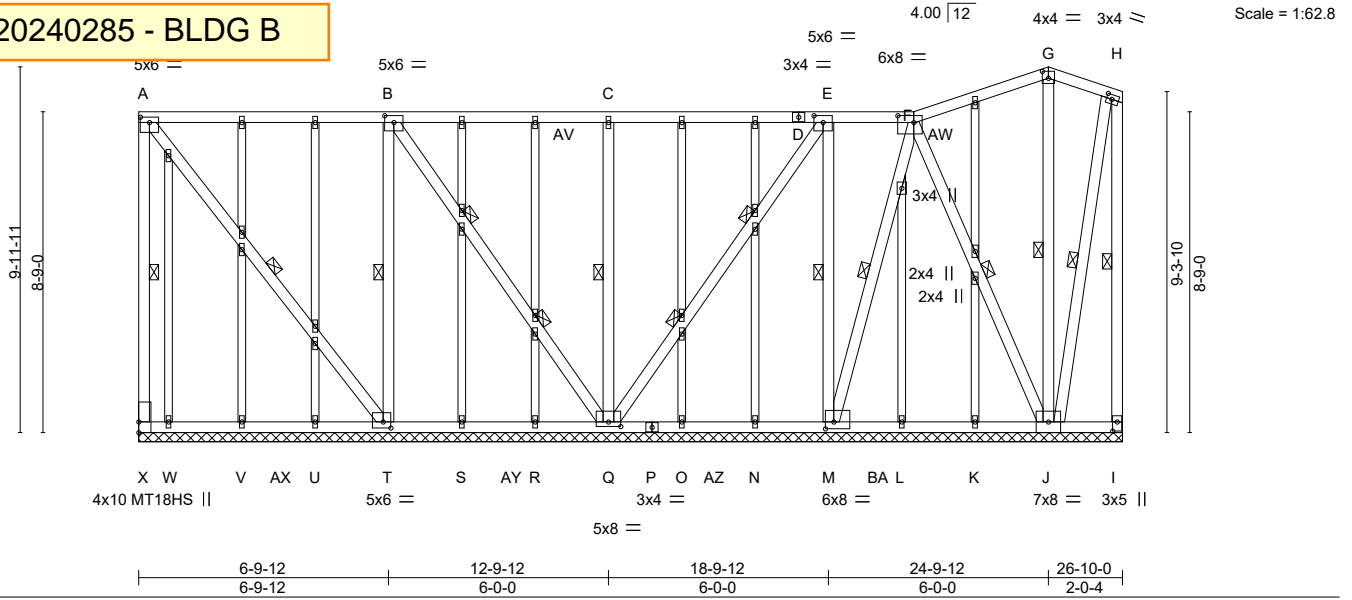


Plate Offsets (X,Y)-- [A:0-3-0,0-1-12], [B:0-3-0,0-2-4], [E:0-3-0,0-2-4], [F:0-5-4,0-2-4], [G:0-2-0,0-2-4], [H:0-1-12,0-1-8], [I:0-3-0,0-1-8], [M:0-2-12,0-2-4], [Q:0-4-0,0-1-8], [T:0-2-8,0-2-0]

<b>LOADING</b> (psf)	<b>SPACING-</b>	<b>CSI.</b>	<b>DEFL.</b>	<b>PLATES</b>	<b>GRIP</b>
TCLL 25.0 (Roof Snow=25.0)	2-0-0	TC 0.85	in (loc) l/defl L/d	MT20	197/144
TCDL 12.0	Plate Grip DOL 1.15	BC 0.33	Vert(LL) n/a - n/a 999	MT18HS	197/144
BCLL 0.0 *	Lumber DOL 1.15	WB 0.98	Vert(CT) n/a - n/a 999		
BCDL 10.0	Rep Stress Incr YES	Matrix-S	Horz(CT) -0.01 Q n/a n/a		
	Code IBC2018/TPI2014			Weight: 242 lb	FT = 20%

**LUMBER-**

TOP CHORD 2x4 SPF No.2  
 BOT CHORD 2x4 SPF No.2  
 WEBS 2x4 SPF No.2 \*Except\*  
 A-X,A-T: 2x4 SPF 2100F 1.8E  
 OTHERS 2x3 SPF No.2

**BRACING-**

TOP CHORD Structural wood sheathing directly applied or 4-1-14 oc purlins, except end verticals.  
 BOT CHORD Rigid ceiling directly applied or 4-7-5 oc bracing.  
 WEBS 1 Row at midpt A-X, A-T, B-T, C-Q, E-M, F-M, F-J, G-J, H-I, H-J  
 2 Rows at 1/3 pts B-Q, E-Q

**REACTIONS.**

All bearings 26-10-0.  
 (lb) - Max Horz X=-159(LC 37)  
 Max Uplift All uplift 100 lb or less at joint(s) except X=-2533(LC 36), T=-542(LC 41), Q=-227(LC 40), M=-774(LC 32), J=-1684(LC 33), I=-853(LC 35), W=-126(LC 35)  
 Max Grav All reactions 250 lb or less at joint(s) K, L, N, O, R, S, U, V, W except X=2473(LC 35), T=751(LC 28), Q=1118(LC 68), M=899(LC 29), J=1770(LC 52), I=871(LC 52)

**FORCES.** (lb) - Max. Comp./Max. Ten. - All forces 250 (lb) or less except when shown.

TOP CHORD A-X=-2388/2402, A-B=-1877/1861, B-C=-1612/1590, C-E=-1375/1353, E-F=-541/522, F-G=-1250/1223, G-H=-294/311, H-I=-848/853  
 BOT CHORD V-W=708/702, U-V=-1188/1182, T-U=-1668/1662, S-T=-282/274, R-S=-762/754, Q-R=-1242/1234, O-Q=-1493/1488, N-O=-1013/1008, M-N=-533/528, L-M=-766/763, K-L=-286/283, J-K=-696/693, I-J=-448/448  
 WEBS A-T=-3019/3015, B-T=-1990/1993, B-Q=-2347/2335, C-Q=-658/135, E-Q=-2411/2408, E-M=-1962/1955, F-M=-2717/2714, F-J=-2461/2468, G-J=-329/236, H-J=-798/798

**NOTES-**

- 1) Wind: ASCE 7-16; Vult=115mph (3-second gust) Vasd=91mph; TCDL=4.2psf; BCDL=5.0psf; h=30ft; Ke=1.00; Cat. II; Exp B; Enclosed; MWFRS (envelope) gable end zone; cantilever left exposed; end vertical left exposed; Lumber DOL=1.33 plate grip DOL=1.33
- 2) Truss designed for wind loads in the plane of the truss only. For studs exposed to wind (normal to the face), see Standard Industry Gable End Details as applicable, or consult qualified building designer as per ANSI/TPI 1.
- 3) TCLL: ASCE 7-16; Pf=25.0 psf (Lum DOL=1.15 Plate DOL=1.15); Is=1.0; Rough Cat B; Partially Exp.; Ce=1.0; Cs=1.00; Ct=1.10
- 4) Unbalanced snow loads have been considered for this design.
- 5) Provide adequate drainage to prevent water ponding.
- 6) All plates are MT20 plates unless otherwise indicated.
- 7) All plates are 1.5x4 MT20 unless otherwise indicated.
- 8) Gable requires continuous bottom chord bearing.
- 9) Gable studs spaced at 2-0-0 oc.
- 10) This truss has been designed for a 10.0 psf bottom chord live load nonconcurrent with any other live loads.
- 11) \* This truss has been designed for a live load of 20.0psf on the bottom chord in all areas where a rectangle 3-6-0 tall by 2-0-0 wide will fit between the bottom chord and any other members, with BCDL = 10.0psf.



September 12, 2024

Continued on page 2

**WARNING - Verify design parameters and READ NOTES ON THIS AND INCLUDED MITEK REFERENCE PAGE MII-7473 rev. 6/30/2020 BEFORE USE.**  
 Design valid for use only with MiTek® connectors. This design is based only upon parameters shown, and is for an individual building component, not a truss system. Before use, the building designer must verify the applicability of design parameters and properly incorporate this design into the overall building design. Bracing indicated is to prevent buckling of individual truss web and/or chord members only. Additional temporary and permanent bracing is always required for stability and to prevent collapse with possible personal injury and property damage. For general guidance regarding the fabrication, storage, delivery, erection and bracing of trusses and truss systems, see **ANSI/TPI1 Quality Criteria, DSB-89 and BCSI Building Component Safety Information** available from Truss Plate Institute, 2670 Crain Highway, Suite 203 Waldorf, MD 20601



Job	Truss	Truss Type	Qty	Ply	Buildings A-H
N0653A	P5	GABLE	4	1	U1530789


Alliance Truss (CA), Abbotsford, BC - V2S 7P6,

8.630 s Jul 12 2024 MiTek Industries, Inc. Thu Sep 12 02:47:37 2024 Page 2  
 ID:hFyjDMxrTsEK\_kgkR0vWWVzFgc-RfC?PsB70Hq3NSgPqnL8w3ulTXbGKWrCDoi7J4zJC?f

**NOTES-**

- 12) Provide mechanical connection (by others) of truss to bearing plate capable of withstanding 2533 lb uplift at joint X, 542 lb uplift at joint T, 227 lb uplift at joint Q, 774 lb uplift at joint M, 1684 lb uplift at joint L, 853 lb uplift at joint I and 126 lb uplift at joint W.
- 13) This truss is designed in accordance with the 2018 International Building Code section 2306.1 and referenced standard ANSI/TPI 1.
- 14) This truss has been designed for a total drag load of 240 plf. Lumber DOL=(1.33) Plate grip DOL=(1.33) Connect truss to resist drag loads along bottom chord from 0-0-0 to 26-10-0 for 240.0 plf.

PRMU20240285 - BLDG B

 **WARNING - Verify design parameters and READ NOTES ON THIS AND INCLUDED MITEK REFERENCE PAGE MII-7473 rev. 6/30/2020 BEFORE USE.**  
 Design valid for use only with MiTek® connectors. This design is based only upon parameters shown, and is for an individual building component, not a truss system. Before use, the building designer must verify the applicability of design parameters and properly incorporate this design into the overall building design. Bracing indicated is to prevent buckling of individual truss web and/or chord members only. Additional temporary and permanent bracing is always required for stability and to prevent collapse with possible personal injury and property damage. For general guidance regarding the fabrication, storage, delivery, erection and bracing of trusses and truss systems, see **ANSI/TPI1 Quality Criteria, DSB-89 and BCSI Building Component Safety Information** available from Truss Plate Institute, 2670 Crain Highway, Suite 203 Waldorf, MD 20601



Job N0653A	Truss P6	Truss Type GABLE	Qty 4	Ply 1	Buildings A-H Job Reference (optional)	U1530790
---------------	-------------	---------------------	----------	----------	---	----------

Alliance Truss (CA), Abbotsford, BC - V2S 7P6,

8.630 s Jul 12 2024 MiTek Industries, Inc. Thu Sep 12 02:47:38 2024 Page 1

ID:hFyjDMxrTsEK\_kgkR0vWWVzFlgc-RfC?PsB70Hg3NSgPqnL8w3ulTXbGKWrCDoi7J4zJC?f



**PRMU20240285 - BLDG B**

Scale = 1:73.7

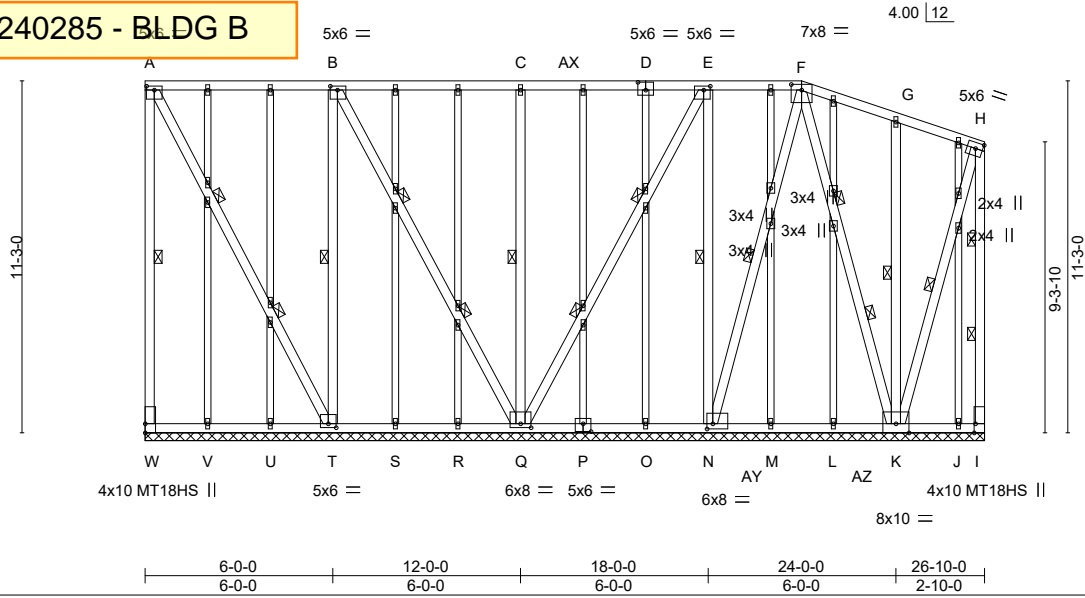


Plate Offsets (X,Y)-- [A:0-3-0,0-1-8], [B:0-2-12,0-1-8], [D:0-3-0,0-3-0], [E:0-2-8,0-1-8], [F:0-4-0,0-2-3], [H:0-2-12,0-2-4], [I:0-3-8,Edge], [N:0-2-4,0-2-0], [P:0-3-0,0-3-0], [Q:0-4-0,0-1-8], [T:0-3-0,0-1-8]

<b>LOADING</b> (psf)	<b>SPACING-</b>	<b>CSI.</b>	<b>DEFL.</b>	<b>PLATES</b>	<b>GRIP</b>
TCLL 25.0 (Roof Snow=25.0)	2-0-0	TC 0.88	in (loc) l/defl L/d	MT20	197/144
TCDL 12.0	Plate Grip DOL 1.15	BC 0.33	Vert(LL) n/a - n/a 999	MT18HS	197/144
BCLL 0.0 *	Lumber DOL 1.15	WB 1.00	Vert(CT) n/a - n/a 999		
BCDL 10.0	Rep Stress Incr YES	Matrix-S	Horz(CT) 0.02 Q n/a n/a		
	Code IBC2018/TPI2014			Weight: 283 lb	FT = 20%

<b>LUMBER-</b>	<b>BRACING-</b>
TOP CHORD 2x4 SPF No.2	TOP CHORD Structural wood sheathing directly applied or 4-9-5 oc purlins, except end verticals.
BOT CHORD 2x4 SPF No.2	BOT CHORD Rigid ceiling directly applied or 4-8-5 oc bracing.
WEBS 2x4 SPF 2100F 1.8E *Except*	WEBS 1 Row at midpt A-W, B-T, C-Q, E-N, F-N, G-K, H-K
OTHERS G-K,H-I,H-K: 2x4 SPF No.2	2 Rows at 1/3 pts A-T, B-Q, E-Q, F-K, H-I
OTHERS 2x3 SPF No.2	

**REACTIONS.** All bearings 26-10-0.  
 (lb) - Max Horz W=-184(LC 33)  
 Max Uplift All uplift 100 lb or less at joint(s) except W=-2704(LC 32), T=-119(LC 34), Q=-208(LC 33), N=-332(LC 34), I=-1801(LC 39), K=-1788(LC 35), J=-138(LC 32)  
 Max Grav All reactions 250 lb or less at joint(s) V, U, S, R, O, M, L, J except W=2688(LC 51), T=578(LC 64), Q=1224(LC 64), N=535(LC 29), I=1782(LC 32), K=1844(LC 52)

**FORCES.** (lb) - Max. Comp./Max. Ten. - All forces 250 (lb) or less except when shown.  
 TOP CHORD A-W=-2661/2699, A-B=-1408/1416, B-C=-1456/1464, C-E=-1487/1495, E-F=-771/805, F-G=-977/1027, G-H=-568/541, H-I=-1670/1650  
 BOT CHORD V-W=-592/625, U-V=-1072/1105, T-U=-1552/1585, S-T=-627/653, R-S=-1107/1133, Q-R=-1587/1613, O-Q=-1534/1535, N-O=-574/575, M-N=-872/862, L-M=-392/382, K-L=-786/775, J-K=-740/716, I-J=-260/236  
 WEBS A-T=-2996/2982, B-T=-2730/2757, B-Q=-3055/3048, C-Q=-676/137, E-Q=-3062/3111, E-N=-2681/2674, F-N=-2987/3003, F-K=-3332/3303, G-K=-377/112, H-K=-1597/1615

- NOTES-**
- 1) Wind: ASCE 7-16; Vult=115mph (3-second gust) Vasd=91mph; TCDL=4.2psf; BCDL=5.0psf; h=30ft; Ke=1.00; Cat. II; Exp B; Enclosed; MWFRS (envelope) gable end zone; cantilever right exposed; end vertical right exposed; Lumber DOL=1.33 plate grip DOL=1.33
  - 2) Truss designed for wind loads in the plane of the truss only. For studs exposed to wind (normal to the face), see Standard Industry Gable End Details as applicable, or consult qualified building designer as per ANSI/TPI 1.
  - 3) TCLL: ASCE 7-16; Pf=25.0 psf (Lum DOL=1.15 Plate DOL=1.15); Is=1.0; Rough Cat B; Partially Exp.; Ce=1.0; Cs=1.00; Ct=1.10
  - 4) Unbalanced snow loads have been considered for this design.
  - 5) Provide adequate drainage to prevent water ponding.
  - 6) All plates are MT20 plates unless otherwise indicated.
  - 7) All plates are 1.5x4 MT20 unless otherwise indicated.
  - 8) Gable requires continuous bottom chord bearing.
  - 9) Gable studs spaced at 2-0-0 oc.
  - 10) This truss has been designed for a 10.0 psf bottom chord live load nonconcurrent with any other live loads.
  - 11) \* This truss has been designed for a live load of 20.0psf on the bottom chord in all areas where a rectangle 3-6-0 tall by 2-0-0 wide will fit between the bottom chord and any other members, with BCDL = 10.0psf.



September 12, 2024



Job	Truss	Truss Type	Qty	Ply	Buildings A-H
N0653A	P6	GABLE	4	1	U1530790


Alliance Truss (CA), Abbotsford, BC - V2S 7P6,

8.630 s Jul 12 2024 MiTek Industries, Inc. Thu Sep 12 02:47:39 2024 Page 2  
 ID:hFyjDMxrTsEK\_kgkR0vWWVzFgc-RfC?PsB70Hq3NSgPqnL8w3ulTXbGKWrCDoi7J4zJC?f

**NOTES-**

- 12) Provide mechanical connection (by others) of truss to bearing plate capable of withstanding 2704 lb uplift at joint W, 119 lb uplift at joint T, 208 lb uplift at joint Q, 332 lb uplift at joint N, 1801 lb uplift at joint I, 1788 lb uplift at joint K and 138 lb uplift at joint J.
- 13) This truss is designed in accordance with the 2018 International Building Code section 2306.1 and referenced standard ANSI/TPI 1.
- 14) This truss has been designed for a total drag load of 240 plf. Lumber DOL=(1.33) Plate grip DOL=(1.33) Connect truss to resist drag loads along bottom chord from 0-0-0 to 26-10-0 for 240.0 plf.

PRMU20240285 - BLDG B

 **WARNING - Verify design parameters and READ NOTES ON THIS AND INCLUDED MITEK REFERENCE PAGE MII-7473 rev. 6/30/2020 BEFORE USE.**  
 Design valid for use only with MiTek® connectors. This design is based only upon parameters shown, and is for an individual building component, not a truss system. Before use, the building designer must verify the applicability of design parameters and properly incorporate this design into the overall building design. Bracing indicated is to prevent buckling of individual truss web and/or chord members only. Additional temporary and permanent bracing is always required for stability and to prevent collapse with possible personal injury and property damage. For general guidance regarding the fabrication, storage, delivery, erection and bracing of trusses and truss systems, see **ANSI/TPI1 Quality Criteria, DSB-89 and BCSI Building Component Safety Information** available from Truss Plate Institute, 2670 Crain Highway, Suite 203 Waldorf, MD 20601



Job	Truss	Truss Type	Qty	Ply	Buildings A-H	U1530791
N0653A	P7	Common	24	1		

Alliance Truss (CA), Abbotsford, BC - V2S 7P6, 8.630 s Jul 12 2024 MiTek Industries, Inc. Thu Sep 12 02:47:39 2024 Page 1  
 ID:hFyjDMxrTsEK\_kgkR0vWWVzFfgc-RfC?PsB70Hq3NSgPqnL8w3ulTXbGKWrCDoi7J4zJC?f



Scale: 3/16"=1'

**PRMU20240285 - BLDG B**

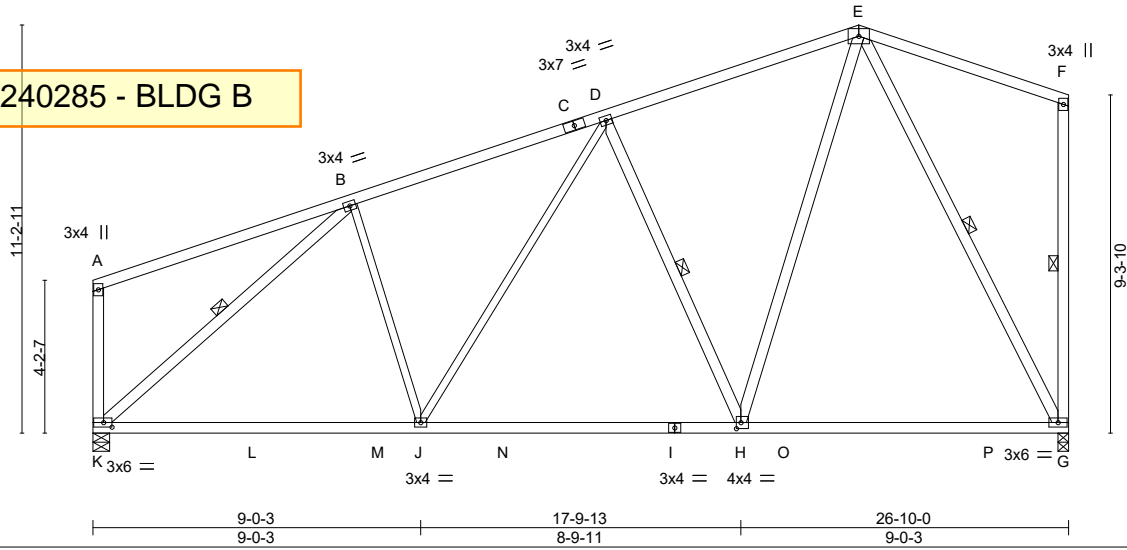


Plate Offsets (X,Y)-- [H:0-1-8,0-2-0], [K:0-2-12,0-1-8]

<b>LOADING</b> (psf)	<b>SPACING-</b>	<b>CSI.</b>	<b>DEFL.</b>	<b>PLATES</b>	<b>GRIP</b>
TCLL 25.0 (Roof Snow=25.0)	2-0-0 Plate Grip DOL 1.15 Lumber DOL 1.15 Rep Stress Incr YES Code IBC2018/TPI2014	TC 0.83 BC 0.90 WB 0.86 Matrix-MS	in (loc) l/defl L/d Vert(LL) -0.31 G-H >999 360 Vert(CT) -0.49 G-H >652 240 Horz(CT) 0.04 G n/a n/a Wind(LL) -0.05 G-H >999 240	MT20	197/144
TCDL 12.0				Weight: 137 lb	FT = 20%
BCLL 0.0 *					
BCDL 10.0					

**LUMBER-**

TOP CHORD 2x4 SPF No.2  
 BOT CHORD 2x4 SPF No.2  
 WEBS 2x4 SPF No.2 \*Except\*  
 B-J,D-J: 2x3 SPF No.2

**BRACING-**

TOP CHORD Structural wood sheathing directly applied or 2-2-0 oc purlins, except end verticals.  
 BOT CHORD Rigid ceiling directly applied or 10-0-0 oc bracing.  
 WEBS 1 Row at midpt D-H, B-K, F-G, E-G

**REACTIONS.**

(size) K=0-5-8, G=0-3-8  
 Max Horz K=262(LC 7)  
 Max Uplift K=-135(LC 6), G=-125(LC 6)  
 Max Grav K=1410(LC 3), G=1397(LC 2)

**FORCES.** (lb) - Max. Comp./Max. Ten. - All forces 250 (lb) or less except when shown.

TOP CHORD B-D=-1415/184, D-E=-1053/174, F-G=-293/68  
 BOT CHORD J-K=-204/1220, H-J=-159/1168, G-H=-114/592  
 WEBS B-J=0/257, D-J=-23/265, D-H=-724/193, E-H=-93/1090, B-K=-1567/155, E-G=-1263/128

**NOTES-**

- 1) Wind: ASCE 7-16; Vult=115mph (3-second gust) Vasd=91mph; TCDL=4.2psf; BCDL=5.0psf; h=30ft; Ke=1.00; Cat. II; Exp B; Enclosed; MWFRS (envelope) gable end zone; cantilever left and right exposed; end vertical left and right exposed; Lumber DOL=1.33 plate grip DOL=1.33
- 2) TCLL: ASCE 7-16; Pf=25.0 psf (Lum DOL=1.15 Plate DOL=1.15); Is=1.0; Rough Cat B; Partially Exp.; Ce=1.0; Cs=1.0; Ct=1.10
- 3) Unbalanced snow loads have been considered for this design.
- 4) This truss has been designed for a 10.0 psf bottom chord live load nonconcurrent with any other live loads.
- 5) \* This truss has been designed for a live load of 20.0psf on the bottom chord in all areas where a rectangle 3-6-0 tall by 2-0-0 wide will fit between the bottom chord and any other members, with BCDL = 10.0psf.
- 6) Provide mechanical connection (by others) of truss to bearing plate capable of withstanding 135 lb uplift at joint K and 125 lb uplift at joint G.
- 7) This truss is designed in accordance with the 2018 International Building Code section 2306.1 and referenced standard ANSI/TPI 1.



September 12, 2024

**WARNING - Verify design parameters and READ NOTES ON THIS AND INCLUDED MITEK REFERENCE PAGE MII-7473 rev. 6/30/2020 BEFORE USE.**

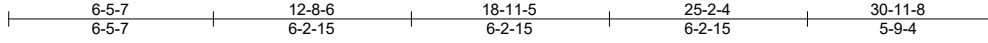
Design valid for use only with MiTek® connectors. This design is based only upon parameters shown, and is for an individual building component, not a truss system. Before use, the building designer must verify the applicability of design parameters and properly incorporate this design into the overall building design. Bracing indicated is to prevent buckling of individual truss web and/or chord members only. Additional temporary and permanent bracing is always required for stability and to prevent collapse with possible personal injury and property damage. For general guidance regarding the fabrication, storage, delivery, erection and bracing of trusses and truss systems, see **ANSI/TPI1 Quality Criteria, DSB-89 and BCSI Building Component Safety Information** available from Truss Plate Institute, 2670 Crain Highway, Suite 203 Waldorf, MD 20601



240 Stirling Crescent  
 Bradford, ON. L3Z 4L5

Job	Truss	Truss Type	Qty	Ply	Buildings A-H	U1530857
N0653A	P8A	GABLE	3	1		

Alliance Truss (CA), Abbotsford, BC - V2S 7P6, 8.820 s Aug 30 2024 MiTek Industries, Inc. Thu Sep 12 02:48:17 2024 Page 1  
 ID:hFyjDMxrTsEK\_kgkR0vWWVzFfgc-JqJ6DaC8PJcwsQBhkigoxPzNtHlzyBV9pt?uClIyeVqy



**PRMU20240285 - BLDG B**

3x5 ||  
6x8 ||  
Scale = 1:72.7

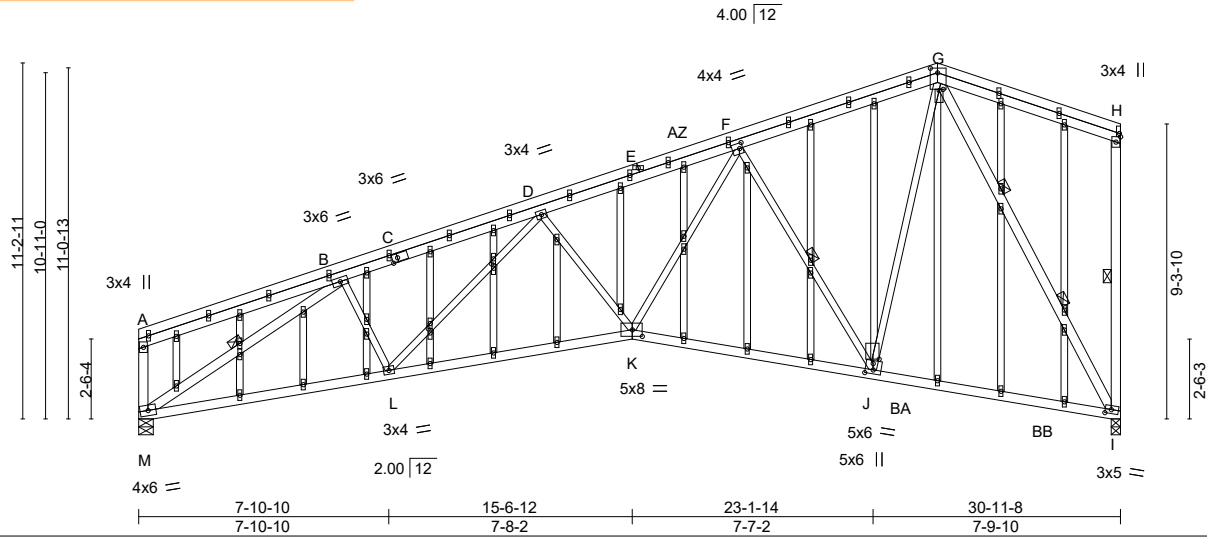


Plate Offsets (X,Y)-- [C:0-2-0,0-1-8], [F:0-1-4,0-2-0], [G:0-0-8,0-1-8], [G:0-1-12,0-2-12], [H:Edge,0-0-8], [I:0-2-4,0-1-8], [J:0-1-10,0-2-4], [J:0-3-0,0-1-8], [K:0-3-12,0-2-8], [AB:0-1-9,0-0-12], [AE:0-1-9,0-0-12]

<b>LOADING</b> (psf)	<b>SPACING-</b>	<b>CSI.</b>	<b>DEFL.</b>	<b>PLATES</b>	<b>GRIP</b>
TCLL 25.0 (Roof Snow=25.0)	2-0-0	TC 0.71	in (loc) l/defl L/d	MT20	197/144
TCDL 12.0	Plate Grip DOL 1.15	BC 0.96	Vert(LL) -0.23 K-L >999 360		
BCLL 0.0 *	Lumber DOL 1.15	WB 1.00	Vert(CT) -0.44 K-L >839 240		
BCDL 10.0	Rep Stress Incr YES	Matrix-MS	Horz(CT) 0.20 I n/a n/a		
	Code IBC2018/TPI2014		Wind(LL) 0.10 K-L >999 240	Weight: 239 lb	FT = 20%

<b>LUMBER-</b>	<b>BRACING-</b>
TOP CHORD 2x4 SPF No.2	TOP CHORD Structural wood sheathing directly applied or 2-11-15 oc purlins, except end verticals.
BOT CHORD 2x4 SPF No.2	BOT CHORD Rigid ceiling directly applied or 10-0-0 oc bracing, Except:
WEBS 2x3 SPF No.2 *Except*	2-2-0 oc bracing: K-L.
A-M,B-M,H-I,G-I: 2x4 SPF No.2	1 Row at midpt F-J, B-M, H-I
OTHERS 2x3 SPF No.2	2 Rows at 1/3 pts G-I

**REACTIONS.** (size) M=0-5-8, I=0-3-8  
 Max Horz M=260(LC 7)  
 Max Uplift M=-157(LC 6), I=-152(LC 6)  
 Max Grav M=1524(LC 3), I=1538(LC 2)

**FORCES.** (lb) - Max. Comp./Max. Ten. - All forces 250 (lb) or less except when shown.  
 TOP CHORD B-D=-2704/322, D-F=-2643/324, F-G=-1220/187, H-I=-306/68  
 BOT CHORD L-M=-337/2345, K-L=-323/2679, J-K=-210/1847, I-J=-124/804  
 WEBS B-L=0/434, D-K=-356/139, F-K=-139/1352, F-J=-1497/264, G-J=-122/1453, B-M=-2724/306, G-I=-1605/138

- NOTES-**
- 1) Wind: ASCE 7-16; Vult=115mph (3-second gust) Vasd=91mph; TCDL=4.2psf; BCDL=5.0psf; h=30ft; Ke=1.00; Cat. II; Exp B; Enclosed; MWFRS (envelope) gable end zone; cantilever left and right exposed; end vertical left and right exposed; Lumber DOL=1.33 plate grip DOL=1.33
  - 2) Truss designed for wind loads in the plane of the truss only. For studs exposed to wind (normal to the face), see Standard Industry Gable End Details as applicable, or consult qualified building designer as per ANSI/TPI 1.
  - 3) TCLL: ASCE 7-16; Pf=25.0 psf (Lum DOL = 1.15 Plate DOL = 1.15); Is=1.0; Rough Cat B; Partially Exp.; Ce=1.0; Cs=1.00; Ct=1.10
  - 4) Unbalanced snow loads have been considered for this design.
  - 5) All plates are 1.5x4 MT20 unless otherwise indicated.
  - 6) Gable studs spaced at 2-0-0 oc.
  - 7) This truss has been designed for a 10.0 psf bottom chord live load nonconcurrent with any other live loads.
  - 8) \* This truss has been designed for a live load of 20.0psf on the bottom chord in all areas where a rectangle 3-6-0 tall by 2-0-0 wide will fit between the bottom chord and any other members, with BCDL = 10.0psf.
  - 9) Bearing at joint(s) M, I considers parallel to grain value using ANSI/TPI 1 angle to grain formula. Building designer should verify capacity of bearing surface.
  - 10) Provide mechanical connection (by others) of truss to bearing plate capable of withstanding 100 lb uplift at joint(s) except (jt=lb) M=157, I=152.
  - 11) This truss is designed in accordance with the 2018 International Building Code section 2306.1 and referenced standard ANSI/TPI 1.
  - 12) No notches allowed in overhang and 0 from left end and 0 from right end or 12" along rake from scarf, whichever is larger. Minimum 1.5x4 tie plates required at 2-0-0 o.c. maximum between the stacking chords. For edge-wise notching, provide at least one tie plate between each notch.



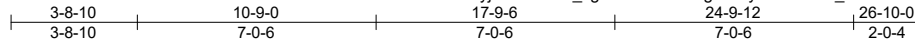
September 12, 2024

**WARNING - Verify design parameters and READ NOTES ON THIS AND INCLUDED MITEK REFERENCE PAGE MII-7473 rev. 6/30/2020 BEFORE USE.**  
 Design valid for use only with MiTek® connectors. This design is based only upon parameters shown, and is for an individual building component, not a truss system. Before use, the building designer must verify the applicability of design parameters and properly incorporate this design into the overall building design. Bracing indicated is to prevent buckling of individual truss web and/or chord members only. Additional temporary and permanent bracing is always required for stability and to prevent collapse with possible personal injury and property damage. For general guidance regarding the fabrication, storage, delivery, erection and bracing of trusses and truss systems, see **ANSI/TPI1 Quality Criteria, DSB-89 and BCSI Building Component Safety Information** available from Truss Plate Institute, 2670 Crain Highway, Suite 203 Waldorf, MD 20601



Job N0653A	Truss P9	Truss Type GABLE	Qty 1	Ply 1	Buildings A-H Job Reference (optional)	U1530792
---------------	-------------	---------------------	----------	----------	---	----------

Alliance Truss (CA), Abbotsford, BC - V2S 7P6, 8.630 s Feb 9 2023 MiTek Industries, Inc. Thu Sep 12 16:09:48 2024 Page 1  
 ID:hFyJDMxrTsEK\_kgkR0vWVvzFJgc-SFyMHHkZ5\_a2tBB8VwsRq1Cxt2MQFD4VKICNmyeUeX



3x6 =  
6x10 ||

Scale = 1:67.9

**PRMU20240285 - BLDG B**

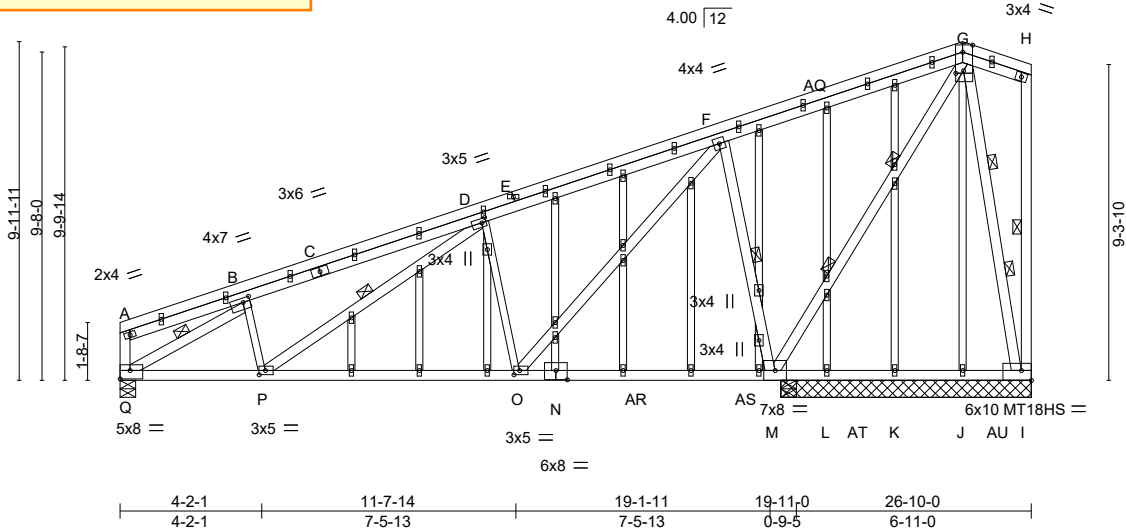


Plate Offsets (X,Y)-- [B:0-2-8,0-1-8], [D:0-1-8,0-1-8], [G:0-2-12,0-0-14], [I:Edge,0-3-8], [N:0-4-0,0-3-4], [O:0-2-0,0-1-8], [P:0-2-4,0-1-8], [Q:Edge,0-3-0]

<b>LOADING</b> (psf)	<b>SPACING-</b>	<b>CSI.</b>	<b>DEFL.</b>	<b>PLATES</b>	<b>GRIP</b>
TCLL 25.0 (Roof Snow=25.0)	2-0-0 Plate Grip DOL 1.15 Lumber DOL 1.15	TC 0.82 BC 0.95 WB 0.94	in (loc) l/defl L/d Vert(LL) -0.14 O-P >999 360 Vert(CT) -0.22 O-P >999 240 Horz(CT) -0.14 I n/a n/a Wind(LL) 0.12 O-P >999 240	MT20 MT18HS	197/144 197/144
TCDL 12.0	Rep Stress Incr YES	Matrix-MS			
BCLL 0.0 *	Code IBC2018/TPI2014				
BCDL 10.0				Weight: 211 lb	FT = 20%

**LUMBER-**

TOP CHORD 2x4 SPF No.2  
 BOT CHORD 2x4 SPF 2100F 1.8E \*Except\*  
 N-Q: 2x4 SPF No.2  
 WEBS 2x4 SPF No.2 \*Except\*  
 B-P,D-O: 2x3 SPF No.2, G-M: 2x4 SPF 2100F 1.8E  
 OTHERS 2x3 SPF No.2

**BRACING-**

TOP CHORD Structural wood sheathing directly applied or 3-4-5 oc purlins, except end verticals.  
 BOT CHORD Rigid ceiling directly applied or 2-2-0 oc bracing.  
 WEBS 1 Row at midpt D-P, F-M, B-Q, H-I  
 2 Rows at 1/3 pts G-M, G-I

**REACTIONS.**

All bearings 7-4-8 except (jt=length) Q=0-5-8.  
 (lb) - Max Horz Q=471(LC 37)  
 Max Uplift All uplift 100 lb or less at joint(s) J except M=-3032(LC 39), Q=-1657(LC 31), I=-2686(LC 50), L=-118(LC 26)  
 Max Grav All reactions 250 lb or less at joint(s) J, K, L except M=4048(LC 28), M=1815(LC 1), Q=1949(LC 26), I=2571(LC 39)

**FORCES.** (lb) - Max. Comp./Max. Ten. - All forces 250 (lb) or less except when shown.

TOP CHORD A-B=-803/824, B-D=-2462/1943, D-F=-1581/1341, F-G=-2032/2184, G-H=-521/548  
 BOT CHORD P-Q=-2786/3032, O-P=-3904/4061, M-O=-4358/4252, L-M=-6183/6132, K-L=-4694/4698,  
 J-K=-3002/2951, I-J=-1256/1205  
 WEBS B-P=-743/863, D-P=-1329/1450, D-O=-825/574, F-O=-629/1424, F-M=-1215/514,  
 G-M=-3825/3587, B-Q=-3304/2884, G-I=-2584/2731

**NOTES-**

- Wind: ASCE 7-16; Vult=115mph (3-second gust) Vasd=91mph; TC DL=4.2psf; BCDL=5.0psf; h=30ft; Ke=1.00; Cat. II; Exp B; Enclosed; MWFRS (envelope) gable end zone; cantilever left and right exposed; end vertical left and right exposed; Lumber DOL=1.33 plate grip DOL=1.33
- Truss designed for wind loads in the plane of the truss only. For studs exposed to wind (normal to the face), see Standard Industry Gable End Details as applicable, or consult qualified building designer as per ANSI/TPI 1.
- TCLL: ASCE 7-16; Pf=25.0 psf (Lum DOL=1.15 Plate DOL=1.15); Is=1.0; Rough Cat B; Partially Exp.; Ce=1.0; Cs=1.00; Ct=1.10
- Unbalanced snow loads have been considered for this design.
- All plates are MT20 plates unless otherwise indicated.
- All plates are 1.5x4 MT20 unless otherwise indicated.
- Gable studs spaced at 2-0-0 oc.
- This truss has been designed for a 10.0 psf bottom chord live load nonconcurrent with any other live loads.
- \* This truss has been designed for a live load of 20.0psf on the bottom chord in all areas where a rectangle 3-6-0 tall by 2-0-0 wide will fit between the bottom chord and any other members, with BCDL = 10.0psf.
- All bearings are assumed to be SPF No.2 crushing capacity of 425 psi.
- Provide mechanical connection (by others) of truss to bearing plate capable of withstanding 100 lb uplift at joint(s) J except (jt=lb) M=3032, Q=1657, I=2686, L=118.
- This truss is designed in accordance with the 2018 International Building Code section 2306.1 and referenced standard ANSI/TPI 1.



September 12, 2024

Continued on page 2

**WARNING - Verify design parameters and READ NOTES ON THIS AND INCLUDED MITEK REFERENCE PAGE MII-7473 rev. 6/30/2020 BEFORE USE.**

Design valid for use only with MiTek® connectors. This design is based only upon parameters shown, and is for an individual building component, not a truss system. Before use, the building designer must verify the applicability of design parameters and properly incorporate this design into the overall building design. Bracing indicated is to prevent buckling of individual truss web and/or chord members only. Additional temporary and permanent bracing is always required for stability and to prevent collapse with possible personal injury and property damage. For general guidance regarding the fabrication, storage, delivery, erection and bracing of trusses and truss systems, see **ANSI/TPI1 Quality Criteria, DSB-89 and BCSI Building Component Safety Information** available from Truss Plate Institute, 2670 Crain Highway, Suite 203 Waldorf, MD 20601



240 Stirling Crescent  
 Bradford, ON. L3Z 4L5

Job	Truss	Truss Type	Qty	Ply	Buildings A-H
N0653A	P9	GABLE	1	1	U1530792

Alliance Truss (CA), Abbotsford, BC - V2S 7P6,

8.630 s Feb 9 2023 MiTek Industries, Inc. Thu Sep 12 16:09:49 2024 Page 2  
 ID:hFyjDMxrTsEK\_kgkR0vWWVzFlgc-wSWIUdLJKP6Rg1mNhDR5z1aNhHOB9iTDJ\_1lvCyeUeW

**NOTES-**

- 13) This truss has been designed for a total drag load of 240 plf. Lumber DOL=(1.33) Plate grip DOL=(1.33) Connect truss to resist drag loads along bottom chord from 19-5-8 to 26-10-0 for 873.2 plf.
- 14) This truss has large uplift reaction(s) from gravity load case(s). Proper connection is required to secure truss against upward movement at the bearings. Building designer must provide adequate bracing.
- 15) No notches allowed in overhang and 0 from left end and 0 from right end or 12" along rake from scarf, whichever is larger. Minimum 1.5x4 tie plates required at 2-0-0 o.c. maximum between the stacking chords. For edge-wise notching, provide at least one tie plate between each notch.

PRMU20240285 - BLDG B



**WARNING - Verify design parameters and READ NOTES ON THIS AND INCLUDED MITEK REFERENCE PAGE MII-7473 rev. 6/30/2020 BEFORE USE.**

Design valid for use only with MiTek® connectors. This design is based only upon parameters shown, and is for an individual building component, not a truss system. Before use, the building designer must verify the applicability of design parameters and properly incorporate this design into the overall building design. Bracing indicated is to prevent buckling of individual truss web and/or chord members only. Additional temporary and permanent bracing is always required for stability and to prevent collapse with possible personal injury and property damage. For general guidance regarding the fabrication, storage, delivery, erection and bracing of trusses and truss systems, see

**ANSI/TPI1 Quality Criteria, DSB-89 and BCSI Building Component**

**Safety Information** available from Truss Plate Institute, 2670 Crain Highway, Suite 203 Waldorf, MD 20601



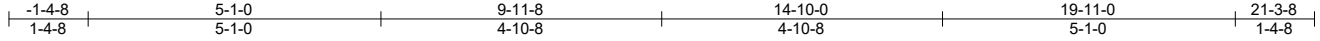
240 Stirling Crescent  
 Bradford, ON. L3Z 4L5

Job N0653A	Truss P10	Truss Type GABLE	Qty 1	Ply 1	Buildings A-H Job Reference (optional)	U1530793
---------------	--------------	---------------------	----------	----------	---	----------

Alliance Truss (CA), Abbotsford, BC - V2S 7P6,

8.630 s Jul 12 2024 MiTek Industries, Inc. Thu Sep 12 02:47:34 2024 Page 1

ID:hFyjDMxrTsEK\_kgkR0vWWWzFfgc-RfC?PsB70Hq3NSgPqnL8w3ulTXbGKWrCDoi7J4zJC?f



**PRMU20240285 - BLDG B**

Scale = 1:40.0

4x8 ||  
3x5 =

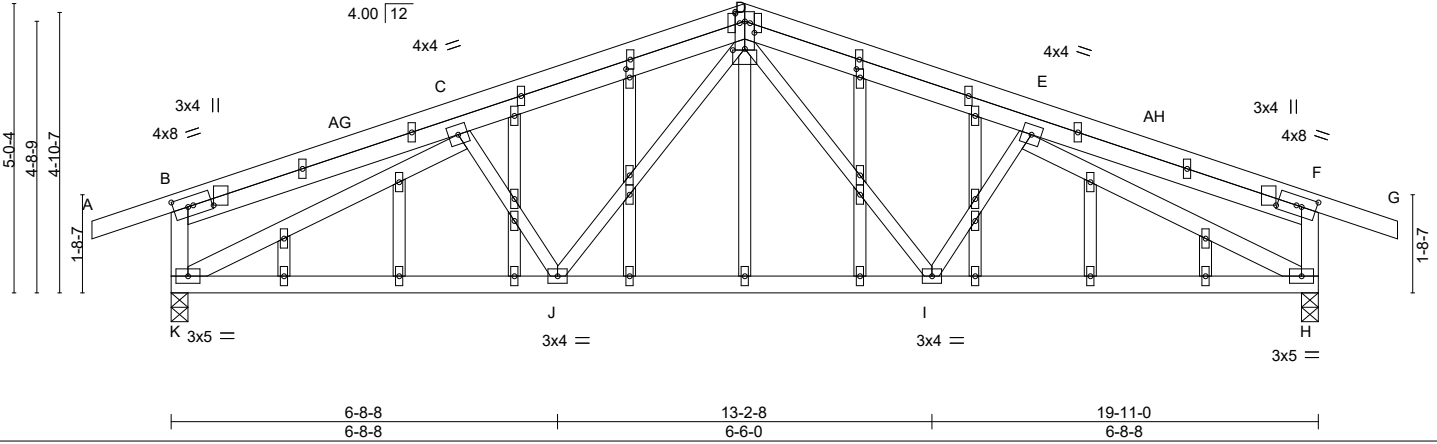


Plate Offsets (X,Y)-- [B:0-0-0,0-4-4], [B:0-3-0,0-2-0], [D:0-2-0,0-0-15], [D:0-2-0,0-2-0], [D:0-2-8,0-0-4], [D:0-2-0,0-0-15], [F:0-3-0,0-2-0], [F:0-0-0,0-4-4], [N:0-1-12,0-0-12], [W:0-1-12,0-0-12], [Y:0-0-0,0-0-0], [Y:0-0-0,0-0-0], [AB:0-0-0,0-0-0], [AB:0-0-0,0-0-0], [AF:0-0-0,0-0-0]

<b>LOADING</b> (psf)	<b>SPACING-</b>	<b>CSI.</b>	<b>DEFL.</b>	in (loc)	l/defl	L/d	<b>PLATES</b>	<b>GRIP</b>
TCLL 25.0 (Roof Snow=25.0)	2-0-0 Plate Grip DOL 1.15 Lumber DOL 1.15	TC 0.42 BC 0.43 WB 0.81 Matrix-MS	Vert(LL) -0.05 Vert(CT) -0.11 Horz(CT) 0.04 Wind(LL) 0.03	H-I H-I H I-J	>999 >999 n/a >999	360 240 n/a 240	MT20	197/144
TCDL 12.0	Rep Stress Incr YES Code IBC2018/TPI2014						Weight: 119 lb	FT = 20%
BCLL 0.0 *								
BCDL 10.0								

**LUMBER-**

TOP CHORD 2x4 SPF No.2  
 BOT CHORD 2x4 SPF No.2  
 WEBS 2x4 SPF No.2 \*Except\*  
 D-I,E-I,D-J,C-J: 2x3 SPF No.2  
 OTHERS 2x3 SPF No.2

**BRACING-**

TOP CHORD Structural wood sheathing directly applied or 4-4-0 oc purlins, except end verticals.  
 BOT CHORD Rigid ceiling directly applied or 10-0-0 oc bracing.

**REACTIONS.**

(size) K=0-3-8, H=0-3-8  
 Max Horz K=-31(LC 24)  
 Max Uplift K=-139(LC 6), H=-139(LC 7)  
 Max Grav K=1095(LC 17), H=1095(LC 18)

**FORCES.** (lb) - Max. Comp./Max. Ten. - All forces 250 (lb) or less except when shown.

TOP CHORD C-D=-1380/138, D-E=-1380/138, B-K=-310/104, F-H=-310/104  
 BOT CHORD J-K=-110/1342, I-J=-42/1016, H-I=-110/1342  
 WEBS D-I=-31/403, D-J=-31/403, C-K=-1465/129, E-H=-1465/129

**NOTES-**

- 1) Wind: ASCE 7-16; Vult=115mph (3-second gust) Vasd=91mph; TCDL=4.2psf; BCDL=5.0psf; h=30ft; Ke=1.00; Cat. II; Exp B; Enclosed; MWFRS (envelope) gable end zone; cantilever left and right exposed ; end vertical left and right exposed; Lumber DOL=1.33 plate grip DOL=1.33
- 2) Truss designed for wind loads in the plane of the truss only. For studs exposed to wind (normal to the face), see Standard Industry Gable End Details as applicable, or consult qualified building designer as per ANSI/TPI 1.
- 3) TCLL: ASCE 7-16; Pf=25.0 psf (Lum DOL=1.15 Plate DOL=1.15); Is=1.0; Rough Cat B; Partially Exp.; Ce=1.0; Cs=1.00; Ct=1.10
- 4) Unbalanced snow loads have been considered for this design.
- 5) This truss has been designed for greater of min roof live load of 20.0 psf or 2.00 times flat roof load of 25.0 psf on overhangs non-concurrent with other live loads.
- 6) All plates are 1.5x4 MT20 unless otherwise indicated.
- 7) Gable studs spaced at 2-0-0 oc.
- 8) This truss has been designed for a 10.0 psf bottom chord live load nonconcurrent with any other live loads.
- 9) \* This truss has been designed for a live load of 20.0psf on the bottom chord in all areas where a rectangle 3-6-0 tall by 2-0-0 wide will fit between the bottom chord and any other members.
- 10) Provide mechanical connection (by others) of truss to bearing plate capable of withstanding 100 lb uplift at joint(s) except (jt=lb) K=139, H=139.
- 11) This truss is designed in accordance with the 2018 International Building Code section 2306.1 and referenced standard ANSI/TPI 1.
- 12) No notches allowed in overhang and 10408 from left end and 10408 from right end or 12" along rake from scarf, whichever is larger. Minimum 1.5x4 tie plates required at 2-0-0 o.c. maximum between the stacking chords. For edge-wise notching, provide at least one tie plate between each notch.



September 12, 2024

**WARNING - Verify design parameters and READ NOTES ON THIS AND INCLUDED MITEK REFERENCE PAGE MII-7473 rev. 6/30/2020 BEFORE USE.**

Design valid for use only with MiTek® connectors. This design is based only upon parameters shown, and is for an individual building component, not a truss system. Before use, the building designer must verify the applicability of design parameters and properly incorporate this design into the overall building design. Bracing indicated is to prevent buckling of individual truss web and/or chord members only. Additional temporary and permanent bracing is always required for stability and to prevent collapse with possible personal injury and property damage. For general guidance regarding the fabrication, storage, delivery, erection and bracing of trusses and truss systems, see

**Safety Information** available from Truss Plate Institute, 2670 Crain Highway, Suite 203 Waldorf, MD 20601

ANSI/TPI1 Quality Criteria, DSB-89 and BCSI Building Component



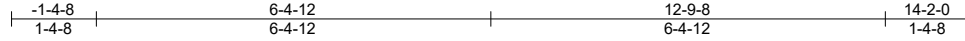
240 Stirling Crescent  
 Bradford, ON. L3Z 4L5

Job	Truss	Truss Type	Qty	Ply	Buildings A-H	U1530794
N0653A	R1	GABLE	1	1		

Alliance Truss (CA), Abbotsford, BC - V2S 7P6,

8.630 s Jul 12 2024 MiTek Industries, Inc. Thu Sep 12 02:47:41 2024 Page 1

ID:hFyjDMxrTsEK\_kgkR0vWWVzFfgc-RfC?PsB70Hq3NSgPqnL8w3ulTXbGKWrCDoi7J4zJC?f



**PRMU20240285 - BLDG B**

4x5 =

Scale = 1:37.4

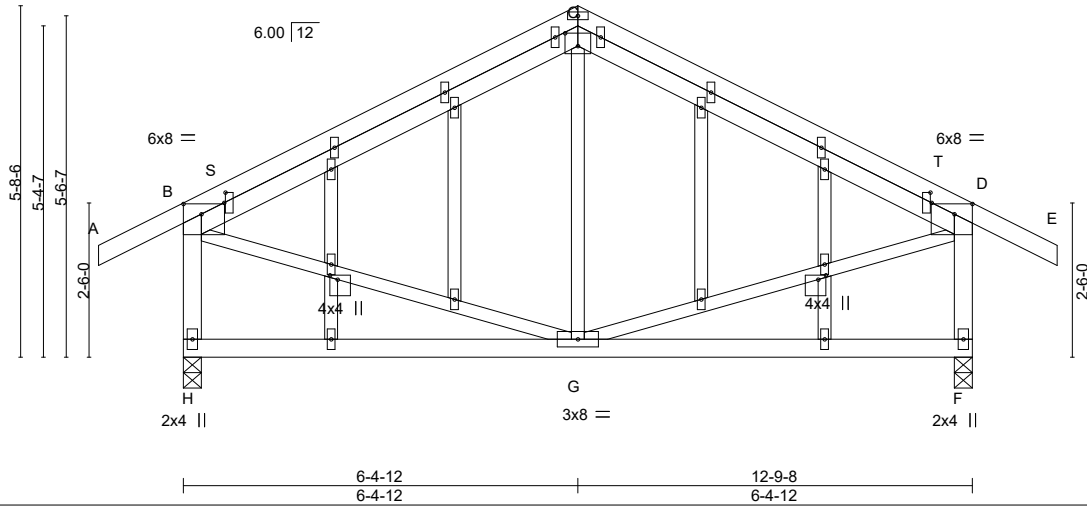


Plate Offsets (X,Y)-- [B:0-3-8,0-2-0], [C:0-2-8,0-2-8], [D:0-3-8,0-2-0], [K:0-0-14,0-1-8], [R:0-0-14,0-1-8], [S:0-2-0,0-0-4], [T:0-2-0,0-0-4]

LOADING (psf)	SPACING-	CSI.	DEFL.	PLATES	GRIP
TCLL 25.0 (Roof Snow=25.0)	2-0-0 Plate Grip DOL 1.15 Lumber DOL 1.15	TC 0.71 BC 0.28 WB 0.13 Matrix-MS	in (loc) l/defl L/d Vert(LL) -0.03 G-H >999 360 Vert(CT) -0.07 G-H >999 240 Horz(CT) 0.00 F n/a n/a Wind(LL) 0.00 G >999 240	MT20	197/144
TCDL 12.0	Rep Stress Incr YES			Weight: 79 lb	FT = 20%
BCLL 0.0 *	Code IBC2018/TPI2014				
BCDL 10.0					

**LUMBER-**

TOP CHORD 2x4 SPF No.2  
 BOT CHORD 2x4 SPF No.2  
 WEBS 2x3 SPF No.2 \*Except\*  
 B-H,D-F: 2x4 SPF No.2  
 OTHERS 2x3 SPF No.2

**BRACING-**

TOP CHORD Structural wood sheathing directly applied or 5-9-4 oc purlins, except end verticals.  
 BOT CHORD Rigid ceiling directly applied or 6-0-0 oc bracing.

**REACTIONS.**

(size) H=0-3-8, F=0-3-8  
 Max Horz H=93(LC 9)  
 Max Uplift H=-74(LC 10), F=-74(LC 11)  
 Max Grav H=802(LC 17), F=802(LC 18)

**FORCES.** (lb) - Max. Comp./Max. Ten. - All forces 250 (lb) or less except when shown.

TOP CHORD B-C=-594/62, C-D=-594/62, B-H=-742/99, D-F=-742/99  
 WEBS B-G=0/383, D-G=0/383

**NOTES-**

- 1) Wind: ASCE 7-16; Vult=115mph (3-second gust) Vasd=91mph; TCDL=4.2psf; BCDL=5.0psf; h=30ft; Ke=1.00; Cat. II; Exp B; Enclosed; MWFRS (envelope) gable end zone; cantilever left and right exposed; end vertical left and right exposed; Lumber DOL=1.33 plate grip DOL=1.33
- 2) Truss designed for wind loads in the plane of the truss only. For studs exposed to wind (normal to the face), see Standard Industry Gable End Details as applicable, or consult qualified building designer as per ANSI/TPI 1.
- 3) TCELL: ASCE 7-16; Pf=25.0 psf (Lum DOL=1.15 Plate DOL=1.15); Is=1.0; Rough Cat B; Partially Exp.; Ce=1.0; Cs=1.00; Ct=1.10
- 4) Unbalanced snow loads have been considered for this design.
- 5) This truss has been designed for greater of min roof live load of 18.0 psf or 2.00 times flat roof load of 25.0 psf on overhangs non-concurrent with other live loads.
- 6) All plates are 1.5x4 MT20 unless otherwise indicated.
- 7) Gable studs spaced at 2-0-0 oc.
- 8) This truss has been designed for a 10.0 psf bottom chord live load nonconcurrent with any other live loads.
- 9) \* This truss has been designed for a live load of 20.0psf on the bottom chord in all areas where a rectangle 3-6-0 tall by 2-0-0 wide will fit between the bottom chord and any other members.
- 10) Provide mechanical connection (by others) of truss to bearing plate capable of withstanding 100 lb uplift at joint(s) H, F.
- 11) This truss is designed in accordance with the 2018 International Building Code section 2306.1 and referenced standard ANSI/TPI 1.
- 12) No notches allowed in overhang and 10408 from left end and 10408 from right end or 12" along rake from scarf, whichever is larger. Minimum 1.5x4 tie plates required at 2-0-0 o.c. maximum between the stacking chords. For edge-wise notching, provide at least one tie plate between each notch.



September 12, 2024

**WARNING - Verify design parameters and READ NOTES ON THIS AND INCLUDED MITEK REFERENCE PAGE MII-7473 rev. 6/30/2020 BEFORE USE.**

Design valid for use only with MiTek® connectors. This design is based only upon parameters shown, and is for an individual building component, not a truss system. Before use, the building designer must verify the applicability of design parameters and properly incorporate this design into the overall building design. Bracing indicated is to prevent buckling of individual truss web and/or chord members only. Additional temporary and permanent bracing is always required for stability and to prevent collapse with possible personal injury and property damage. For general guidance regarding the fabrication, storage, delivery, erection and bracing of trusses and truss systems, see

**Safety Information** available from Truss Plate Institute, 2670 Crain Highway, Suite 203 Waldorf, MD 20601

ANSI/TPI1 Quality Criteria, DSB-89 and BCSI Building Component



240 Stirling Crescent  
 Bradford, ON. L3Z 4L5

Job	Truss	Truss Type	Qty	Ply	Buildings A-H	U1530858
N0653A	R2	Common	3	1		

Alliance Truss (CA), Abbotsford, BC - V2S 7P6,

8.820 s Aug 30 2024 MiTek Industries, Inc. Thu Sep 12 02:48:18 2024 Page 1

ID:hFyjDMxrTsEK\_kgkR0vWWVzFlgc-o0TVQwCmAcknUamulPB1UdWYchHMhsTJ2XIRkByeVqx



**PRMU20240285 - BLDG B**

Scale = 1:35.2

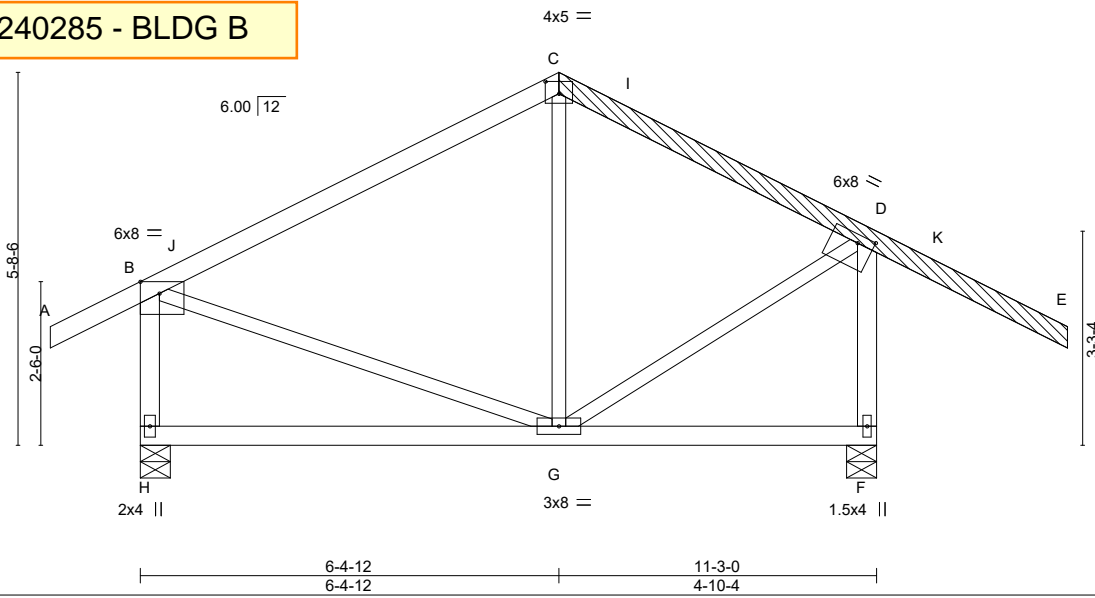


Plate Offsets (X,Y)-- [B:0-3-8,Edge], [C:0-2-8,0-2-4], [D:0-3-0,0-1-8]

LOADING (psf)	SPACING-	CSI.	DEFL.	in (loc)	l/defl	L/d	PLATES	GRIP
TCLL 25.0 (Roof Snow=25.0)	2-0-0 Plate Grip DOL 1.15	TC 0.71	Vert(LL)	-0.04	G-H	>999	MT20	197/144
TCDL 12.0	Lumber DOL 1.15	BC 0.25	Vert(CT)	-0.08	G-H	>999		
BCLL 0.0 *	Rep Stress Incr YES	WB 0.12	Horz(CT)	-0.00	F	n/a		
BCDL 10.0	Code IBC2018/TPI2014	Matrix-MS	Wind(LL)	0.00	G	>999		
							Weight: 62 lb	FT = 20%

**LUMBER-**

TOP CHORD 2x4 SPF No.2  
 BOT CHORD 2x4 SPF No.2  
 WEBS 2x3 SPF No.2 \*Except\*  
 B-H,D-F: 2x4 SPF No.2  
 OTHERS 2x4 SPF No.2  
 LBR SCAB C-E 2x4 SPF No.2 one side

**BRACING-**

TOP CHORD Structural wood sheathing directly applied or 6-0-0 oc purlins, except end verticals.  
 BOT CHORD Rigid ceiling directly applied or 6-0-0 oc bracing.

**REACTIONS.**

(size) H=0-5-8, F=0-5-8  
 Max Horz H=114(LC 9)  
 Max Uplift H=-70(LC 10), F=-95(LC 11)  
 Max Grav H=729(LC 17), F=882(LC 18)

**FORCES.** (lb) - Max. Comp./Max. Ten. - All forces 250 (lb) or less except when shown.

TOP CHORD B-C=-478/47, C-D=-400/68, B-H=-668/97, D-F=-847/111  
 WEBS D-G=0/353

**NOTES-**

- 1) Attached 8-10-0 scab C to E, front face(s) 2x4 SPF No.2 with 1 row(s) of 10d (0.131"x3") nails spaced 9" o.c.except : starting at 4-3-3 from end at joint C, nail 1 row(s) at 4" o.c. for 2-11-11.
- 2) Wind: ASCE 7-16; Vult=115mph (3-second gust) Vasd=91mph; TCDL=4.2psf; BCDL=5.0psf; h=30ft; Ke=1.00; Cat. II; Exp B; Enclosed; MWFRS (envelope) gable end zone; cantilever left and right exposed; end vertical left and right exposed; Lumber DOL=1.33 plate grip DOL=1.33
- 3) TCLL: ASCE 7-16; Pf=25.0 psf (Lum DOL = 1.15 Plate DOL = 1.15); Is=1.0; Rough Cat B; Partially Exp.; Ce=1.0; Cs=1.00; Ct=1.10
- 4) Unbalanced snow loads have been considered for this design.
- 5) This truss has been designed for greater of min roof live load of 18.0 psf or 2.00 times flat roof load of 25.0 psf on overhangs non-concurrent with other live loads.
- 6) This truss has been designed for a 10.0 psf bottom chord live load nonconcurrent with any other live loads.
- 7) \* This truss has been designed for a live load of 20.0psf on the bottom chord in all areas where a rectangle 3-6-0 tall by 2-0-0 wide will fit between the bottom chord and any other members.
- 8) Provide mechanical connection (by others) of truss to bearing plate capable of withstanding 100 lb uplift at joint(s) H, F.
- 9) This truss is designed in accordance with the 2018 International Building Code section 2306.1 and referenced standard ANSI/TPI 1.



September 12, 2024

**WARNING - Verify design parameters and READ NOTES ON THIS AND INCLUDED MITEK REFERENCE PAGE MII-7473 rev. 6/30/2020 BEFORE USE.**

Design valid for use only with MiTek® connectors. This design is based only upon parameters shown, and is for an individual building component, not a truss system. Before use, the building designer must verify the applicability of design parameters and properly incorporate this design into the overall building design. Bracing indicated is to prevent buckling of individual truss web and/or chord members only. Additional temporary and permanent bracing is always required for stability and to prevent collapse with possible personal injury and property damage. For general guidance regarding the fabrication, storage, delivery, erection and bracing of trusses and truss systems, see

**ANSI/TPI1 Quality Criteria, DSB-89 and BCSI Building Component Safety Information** available from Truss Plate Institute, 2670 Crain Highway, Suite 203 Waldorf, MD 20601



240 Stirling Crescent  
 Bradford, ON. L3Z 4L5



Job	Truss	Truss Type	Qty	Ply	Buildings A-H	U1530795
N0653A	S1	BLOCKING SUPPORTED	75	1		

Alliance Truss (CA), Abbotsford, BC - V2S 7P6,

8.630 s Jul 12 2024 MiTek Industries, Inc. Thu Sep 12 02:47:42 2024 Page 1

ID:hFyjDMxrTsEK\_kgkR0vWWVzFgC-RfC?PsB70Hq3NSgPqnL8w3ulTXbGKWrCDoi7J4zJC?f

PRMU20240285 - BLDG B

Scale = 1:14.7

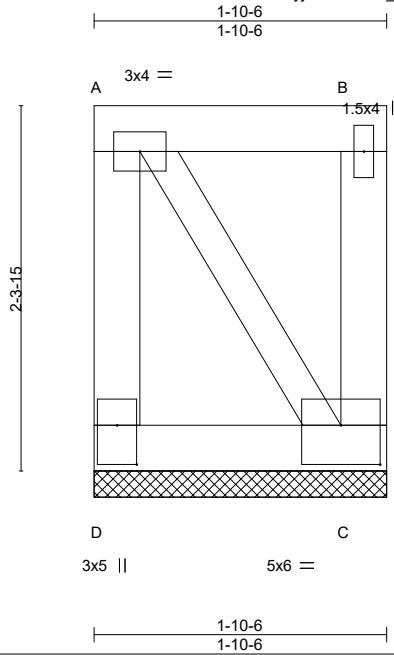


Plate Offsets (X,Y)-- [C:0-3-0,0-3-0], [D:0-3-0,0-1-8]

LOADING (psf)	SPACING-	CSI.	DEFL.	in (loc)	l/defl	L/d	PLATES	GRIP
TCLL 25.0 (Roof Snow=25.0)	2-0-0 Plate Grip DOL 1.15	TC 0.12	Vert(LL)	n/a	-	n/a	MT20	197/144
TCDL 12.0	Lumber DOL 1.15	BC 0.08	Vert(CT)	n/a	-	n/a		
BCLL 0.0 *	Rep Stress Incr YES	WB 0.20	Horz(CT)	-0.00	C	n/a		
BCDL 10.0	Code IBC2018/TPI2014	Matrix-P					Weight: 10 lb	FT = 20%

**LUMBER-**

TOP CHORD 2x4 SPF No.2  
 BOT CHORD 2x4 SPF No.2  
 WEBS 2x4 SPF No.2 \*Except\*  
 A-C: 2x3 SPF No.2

**BRACING-**

TOP CHORD Structural wood sheathing directly applied or 1-10-6 oc purlins, except end verticals.  
 BOT CHORD Rigid ceiling directly applied or 6-0-0 oc bracing.

**REACTIONS.**

(size) D=1-10-6, C=1-10-6  
 Max Horz D=58(LC 5)  
 Max Uplift D=-535(LC 24), C=-535(LC 27)  
 Max Grav D=544(LC 31), C=544(LC 28)

**FORCES.** (lb) - Max. Comp./Max. Ten. - All forces 250 (lb) or less except when shown.

TOP CHORD A-D=-528/543, A-B=-361/356  
 BOT CHORD C-D=-390/385  
 WEBS A-C=-665/665

**NOTES-**

- 1) Wind: ASCE 7-16; Vult=115mph (3-second gust) Vasd=91mph; TCDL=4.2psf; BCDL=5.0psf; h=30ft; Ke=1.00; Cat. II; Exp B; Enclosed; MWFRS (envelope) gable end zone; cantilever left and right exposed; end vertical left and right exposed; Lumber DOL=1.33 plate grip DOL=1.33
- 2) Truss designed for wind loads in the plane of the truss only. For studs exposed to wind (normal to the face), see Standard Industry Gable End Details as applicable, or consult qualified building designer as per ANSI/TPI 1.
- 3) TCLL: ASCE 7-16; Pf=25.0 psf (Lum DOL=1.15 Plate DOL=1.15); Is=1.0; Rough Cat B; Partially Exp.; Ce=1.0; Cs=1.00; Ct=1.10
- 4) Provide adequate drainage to prevent water ponding.
- 5) Gable requires continuous bottom chord bearing.
- 6) Truss to be fully sheathed from one face or securely braced against lateral movement (i.e. diagonal web).
- 7) Gable studs spaced at 2-0-0 oc.
- 8) This truss has been designed for a 10.0 psf bottom chord live load nonconcurrent with any other live loads.
- 9) \* This truss has been designed for a live load of 20.0psf on the bottom chord in all areas where a rectangle 3-6-0 tall by 2-0-0 wide will fit between the bottom chord and any other members.
- 10) Provide mechanical connection (by others) of truss to bearing plate capable of withstanding 100 lb uplift at joint(s) except (jt=lb) D=535, C=535.
- 11) This truss is designed in accordance with the 2018 International Building Code section 2306.1 and referenced standard ANSI/TPI 1.
- 12) This truss has been designed for a total drag load of 240 pif. Lumber DOL=(1.33) Plate grip DOL=(1.33) Connect truss to resist drag loads along bottom chord from 0-0-0 to 1-10-6 for 240.0 pif.



September 12, 2024

**WARNING - Verify design parameters and READ NOTES ON THIS AND INCLUDED MITEK REFERENCE PAGE MII-7473 rev. 6/30/2020 BEFORE USE.**

Design valid for use only with MiTek® connectors. This design is based only upon parameters shown, and is for an individual building component, not a truss system. Before use, the building designer must verify the applicability of design parameters and properly incorporate this design into the overall building design. Bracing indicated is to prevent buckling of individual truss web and/or chord members only. Additional temporary and permanent bracing is always required for stability and to prevent collapse with possible personal injury and property damage. For general guidance regarding the fabrication, storage, delivery, erection and bracing of trusses and truss systems, see

**ANSI/TPI1 Quality Criteria, DSB-89 and BCSI Building Component Safety Information** available from Truss Plate Institute, 2670 Crain Highway, Suite 203 Waldorf, MD 20601



240 Stirling Crescent  
 Bradford, ON. L3Z 4L5

Job	Truss	Truss Type	Qty	Ply	Buildings A-H	U1530859
N0653A	S2	BLOCKING SUPPORTED	117	1		

Alliance Truss (CA), Abbotsford, BC - V2S 7P6,

8.820 s Aug 30 2024 MiTek Industries, Inc. Thu Sep 12 02:48:20 2024 Page 1

ID:hFyjDMxrTsEK\_kgkR0vWWVzF1gc-kP\_FrcE1iEbVkuvGQqDVZ2bvwU\_U9dlcVrEYp4yeVqv

**PRMU20240285 - BLDG B**

Scale = 1:47.3

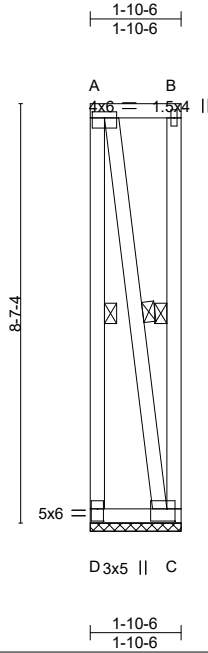


Plate Offsets (X,Y)-- [A:0-3-0,0-1-8], [C:0-2-0,0-3-0], [D:0-3-0,0-1-8]

LOADING (psf)	SPACING-	CSI.	DEFL.	in (loc)	l/defl	L/d	PLATES	GRIP
TCLL 25.0 (Roof Snow=25.0)	2-0-0 Plate Grip DOL 1.15 Lumber DOL 1.15	TC 0.66 BC 0.08 WB 0.68 Matrix-P	Vert(LL)	n/a	-	n/a	MT20	197/144
TCDL 12.0	Rep Stress Incr NO		Vert(CT)	n/a	-	n/a		
BCLL 0.0 *	Code IBC2018/TPI2014		Horz(CT)	0.00	C	n/a		
BCDL 10.0							Weight: 32 lb	FT = 20%

**LUMBER-**

TOP CHORD 2x4 SPF No.2  
BOT CHORD 2x4 SPF No.2  
WEBS 2x4 SPF No.2

**BRACING-**

TOP CHORD Structural wood sheathing directly applied or 1-10-6 oc purlins, except end verticals.  
BOT CHORD Rigid ceiling directly applied or 6-0-0 oc bracing.  
WEBS 1 Row at midpt A-D, B-C, A-C

**REACTIONS.**

(size) D=1-10-6, C=1-10-6  
Max Uplift D=-2005(LC 23), C=-2005(LC 24)  
Max Grav D=2030(LC 44), C=2030(LC 43)

**FORCES.** (lb) - Max. Comp./Max. Ten. - All forces 250 (lb) or less except when shown.

TOP CHORD A-D=-2014/2013, A-B=-340/340  
BOT CHORD C-D=-340/340  
WEBS A-C=-2031/2031

**NOTES-**

- 1) Wind: ASCE 7-16; Vult=115mph (3-second gust) Vasd=91mph; TCDL=4.2psf; BCDL=5.0psf; h=30ft; Ke=1.00; Cat. II; Exp B; Enclosed; MWFRS (envelope) gable end zone; Lumber DOL=1.33 plate grip DOL=1.33
- 2) TCLL: ASCE 7-16; Pf=25.0 psf (Lum DOL = 1.15 Plate DOL = 1.15); Is=1.0; Rough Cat B; Partially Exp.; Ce=1.0; Cs=1.00; Ct=1.10
- 3) Provide adequate drainage to prevent water ponding.
- 4) Gable requires continuous bottom chord bearing.
- 5) This truss has been designed for a 10.0 psf bottom chord live load nonconcurrent with any other live loads.
- 6) \* This truss has been designed for a live load of 20.0psf on the bottom chord in all areas where a rectangle 3-6-0 tall by 2-0-0 wide will fit between the bottom chord and any other members.
- 7) Provide mechanical connection (by others) of truss to bearing plate capable of withstanding 100 lb uplift at joint(s) except (jt=lb) D=2005, C=2005.
- 8) This truss is designed in accordance with the 2018 International Building Code section 2306.1 and referenced standard ANSI/TPI 1.
- 9) This truss has been designed for a total drag load of 240 plf. Lumber DOL=(1.33) Plate grip DOL=(1.33) Connect truss to resist drag loads along bottom chord from 0-0-0 to 1-10-6 for 240.0 plf.



September 12, 2024

**WARNING - Verify design parameters and READ NOTES ON THIS AND INCLUDED MITEK REFERENCE PAGE MII-7473 rev. 6/30/2020 BEFORE USE.**

Design valid for use only with MiTek® connectors. This design is based only upon parameters shown, and is for an individual building component, not a truss system. Before use, the building designer must verify the applicability of design parameters and properly incorporate this design into the overall building design. Bracing indicated is to prevent buckling of individual truss web and/or chord members only. Additional temporary and permanent bracing is always required for stability and to prevent collapse with possible personal injury and property damage. For general guidance regarding the fabrication, storage, delivery, erection and bracing of trusses and truss systems, see

**Safety Information** available from Truss Plate Institute, 2670 Crain Highway, Suite 203 Waldorf, MD 20601

**ANSI/TPI1 Quality Criteria, DSB-89 and BCSI Building Component**



240 Stirling Crescent  
Bradford, ON. L3Z 4L5

Job	Truss	Truss Type	Qty	Ply	Buildings A-H	U1530860
N0653A	S3	BLOCKING SUPPORTED	117	1		

Alliance Truss (CA), Abbotsford, BC - V2S 7P6,

8.820 s Aug 30 2024 MiTek Industries, Inc. Thu Sep 12 02:48:21 2024 Page 1

ID:hFyjDMxrTsEK\_kgkR0vWWVzFlgc-CbYd3yFTXjML1UTzYkk5F84PuKpu4HlkVz5LWyeVqu

PRMU20240285 - BLDG B

Scale: 1/4"=1'

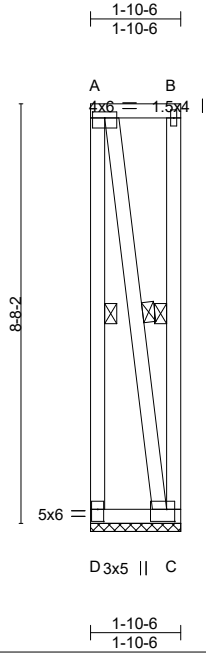


Plate Offsets (X,Y)-- [A:0-3-0,0-1-8], [C:0-2-0,0-3-0], [D:0-3-0,0-1-8]

LOADING (psf)	SPACING-	CSI.	DEFL.	in (loc)	l/defl	L/d	PLATES	GRIP
TCLL 25.0 (Roof Snow=25.0)	2-0-0 Plate Grip DOL 1.15	TC 0.68	Vert(LL)	n/a	-	n/a	MT20	197/144
TCDL 12.0	Lumber DOL 1.15	BC 0.07	Vert(CT)	n/a	-	n/a		
BCLL 0.0 *	Rep Stress Incr YES	WB 0.69	Horz(CT)	0.00	C	n/a		
BCDL 10.0	Code IBC2018/TPI2014	Matrix-P					Weight: 32 lb	FT = 20%

**LUMBER-**

TOP CHORD 2x4 SPF No.2  
 BOT CHORD 2x4 SPF No.2  
 WEBS 2x4 SPF No.2

**BRACING-**

TOP CHORD Structural wood sheathing directly applied or 1-10-6 oc purlins, except end verticals.  
 BOT CHORD Rigid ceiling directly applied or 6-0-0 oc bracing.  
 WEBS 1 Row at midpt A-D, B-C, A-C

**REACTIONS.**

(size) D=1-10-6, C=1-10-6  
 Max Uplift D=-2022(LC 23), C=-2022(LC 24)  
 Max Grav D=2047(LC 44), C=2047(LC 43)

**FORCES.** (lb) - Max. Comp./Max. Ten. - All forces 250 (lb) or less except when shown.

TOP CHORD A-D=-2031/2029, A-B=-340/340  
 BOT CHORD C-D=-340/340  
 WEBS A-C=-2047/2047

**NOTES-**

- 1) Wind: ASCE 7-16; Vult=115mph (3-second gust) Vasd=91mph; TCDL=4.2psf; BCDL=5.0psf; h=30ft; Ke=1.00; Cat. II; Exp B; Enclosed; MWFRS (envelope) gable end zone; Lumber DOL=1.33 plate grip DOL=1.33
- 2) TCLL: ASCE 7-16; Pf=25.0 psf (Lum DOL = 1.15 Plate DOL = 1.15); Is=1.0; Rough Cat B; Partially Exp.; Ce=1.0; Cs=1.00; Ct=1.10
- 3) Provide adequate drainage to prevent water ponding.
- 4) Gable requires continuous bottom chord bearing.
- 5) This truss has been designed for a 10.0 psf bottom chord live load nonconcurrent with any other live loads.
- 6) \* This truss has been designed for a live load of 20.0psf on the bottom chord in all areas where a rectangle 3-6-0 tall by 2-0-0 wide will fit between the bottom chord and any other members.
- 7) Provide mechanical connection (by others) of truss to bearing plate capable of withstanding 100 lb uplift at joint(s) except (jt=lb) D=2022, C=2022.
- 8) This truss is designed in accordance with the 2018 International Building Code section 2306.1 and referenced standard ANSI/TPI 1.
- 9) This truss has been designed for a total drag load of 240 plf. Lumber DOL=(1.33) Plate grip DOL=(1.33) Connect truss to resist drag loads along bottom chord from 0-0-0 to 1-10-6 for 240.0 plf.



September 12, 2024

**WARNING - Verify design parameters and READ NOTES ON THIS AND INCLUDED MITEK REFERENCE PAGE MII-7473 rev. 6/30/2020 BEFORE USE.**

Design valid for use only with MiTek® connectors. This design is based only upon parameters shown, and is for an individual building component, not a truss system. Before use, the building designer must verify the applicability of design parameters and properly incorporate this design into the overall building design. Bracing indicated is to prevent buckling of individual truss web and/or chord members only. Additional temporary and permanent bracing is always required for stability and to prevent collapse with possible personal injury and property damage. For general guidance regarding the fabrication, storage, delivery, erection and bracing of trusses and truss systems, see

**Safety Information** available from Truss Plate Institute, 2670 Crain Highway, Suite 203 Waldorf, MD 20601

ANSI/TPI1 Quality Criteria, DSB-89 and BCSI Building Component



240 Stirling Crescent  
 Bradford, ON. L3Z 4L5

Job	Truss	Truss Type	Qty	Ply	Buildings A-H	U1530861
N0653A	S3A	BLOCKING SUPPORTED	1	1		

Alliance Truss (CA), Abbotsford, BC - V2S 7P6,

8.820 s Aug 30 2024 MiTek Industries, Inc. Thu Sep 12 02:48:21 2024 Page 1

ID:hFyjDMxrTsEK\_kgkR0vWWVzFlgc-CbYd3yFTXjML1UTzYkk5F84QuLyU4QlkVz5LWyeVqu

**PRMU20240285 - BLDG B**

Scale: 1/4"=1'

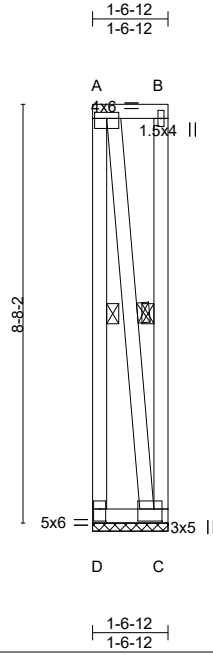


Plate Offsets (X,Y)-- [A:0-3-0,0-1-8], [C:0-2-0,0-3-0], [D:0-3-0,0-1-8]

LOADING (psf)	SPACING-	CSI.	DEFL.	in (loc)	l/defl	L/d	PLATES	GRIP
TCLL 25.0 (Roof Snow=25.0)	2-0-0 Plate Grip DOL 1.15 Lumber DOL 1.15	TC 0.68 BC 0.06 WB 0.68 Matrix-P	Vert(LL) Vert(CT) Horz(CT)	n/a n/a 0.00	- - C	n/a n/a n/a	999 999	MT20 197/144
TCDL 12.0	Rep Stress Incr NO Code IBC2018/TPI2014							
BCLL 0.0 *								
BCDL 10.0							Weight: 31 lb	FT = 20%

**LUMBER-**

TOP CHORD 2x4 SPF No.2  
BOT CHORD 2x4 SPF No.2  
WEBS 2x4 SPF No.2

**BRACING-**

TOP CHORD Structural wood sheathing directly applied or 1-6-12 oc purlins, except end verticals.  
BOT CHORD Rigid ceiling directly applied or 6-0-0 oc bracing.  
WEBS 1 Row at midpt A-D, B-C, A-C

**REACTIONS.**

(size) D=1-6-12, C=1-6-12  
Max Uplift D=-2020(LC 23), C=-2020(LC 24)  
Max Grav D=2040(LC 44), C=2040(LC 43)

**FORCES.** (lb) - Max. Comp./Max. Ten. - All forces 250 (lb) or less except when shown.

TOP CHORD A-D=-2027/2026, A-B=-274/274  
BOT CHORD C-D=-275/275  
WEBS A-C=-2035/2035

**NOTES-**

- 1) Wind: ASCE 7-16; Vult=115mph (3-second gust) Vasd=91mph; TCDL=4.2psf; BCDL=5.0psf; h=30ft; Ke=1.00; Cat. II; Exp B; Enclosed; MWFRS (envelope) gable end zone; Lumber DOL=1.33 plate grip DOL=1.33
- 2) TCLL: ASCE 7-16; Pf=25.0 psf (Lum DOL = 1.15 Plate DOL = 1.15); Is=1.0; Rough Cat B; Partially Exp.; Ce=1.0; Cs=1.00; Ct=1.10
- 3) Provide adequate drainage to prevent water ponding.
- 4) Gable requires continuous bottom chord bearing.
- 5) This truss has been designed for a 10.0 psf bottom chord live load nonconcurrent with any other live loads.
- 6) \* This truss has been designed for a live load of 20.0psf on the bottom chord in all areas where a rectangle 3-6-0 tall by 2-0-0 wide will fit between the bottom chord and any other members.
- 7) Provide mechanical connection (by others) of truss to bearing plate capable of withstanding 100 lb uplift at joint(s) except (jt=lb) D=2020, C=2020.
- 8) This truss is designed in accordance with the 2018 International Building Code section 2306.1 and referenced standard ANSI/TPI 1.
- 9) This truss has been designed for a total drag load of 240 plf. Lumber DOL=(1.33) Plate grip DOL=(1.33) Connect truss to resist drag loads along bottom chord from 0-0-0 to 1-6-12 for 240.0 plf.



September 12, 2024

**WARNING - Verify design parameters and READ NOTES ON THIS AND INCLUDED MITEK REFERENCE PAGE MII-7473 rev. 6/30/2020 BEFORE USE.**

Design valid for use only with MiTek® connectors. This design is based only upon parameters shown, and is for an individual building component, not a truss system. Before use, the building designer must verify the applicability of design parameters and properly incorporate this design into the overall building design. Bracing indicated is to prevent buckling of individual truss web and/or chord members only. Additional temporary and permanent bracing is always required for stability and to prevent collapse with possible personal injury and property damage. For general guidance regarding the fabrication, storage, delivery, erection and bracing of trusses and truss systems, see

**Safety Information** available from Truss Plate Institute, 2670 Crain Highway, Suite 203 Waldorf, MD 20601

ANSI/TPI1 Quality Criteria, DSB-89 and BCSI Building Component



240 Stirling Crescent  
Bradford, ON. L3Z 4L5

Job	Truss	Truss Type	Qty	Ply	Buildings A-H	U1530862
N0653A	S4	BLOCKING SUPPORTED	88	1		

Alliance Truss (CA), Abbotsford, BC - V2S 7P6,

8.820 s Aug 30 2024 MiTek Industries, Inc. Thu Sep 12 02:48:22 2024 Page 1  
ID:hFyjDMxrTsEK\_kgkR0vWWVzFlgc-gn6?GIFHErrDzB3fXFGzeTgEElgjdUFvy9jftyVqt

## PRMU20240285 - BLDG B

Scale: 3/8"=1'

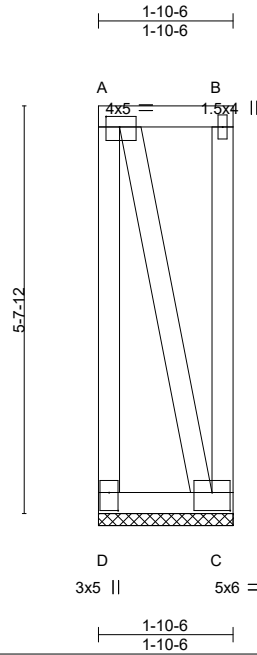


Plate Offsets (X,Y)-- [A:0-2-4,0-1-12], [C:0-3-0,0-3-0], [D:0-3-0,0-1-8]

LOADING (psf)	SPACING-	CSI.	DEFL.	in (loc)	l/defl	L/d	PLATES	GRIP
TCLL 25.0 (Roof Snow=25.0)	2-0-0 Plate Grip DOL 1.15	TC 0.74	Vert(LL)	n/a	-	n/a	MT20	197/144
TCDL 12.0	Lumber DOL 1.15	BC 0.09	Vert(CT)	n/a	-	n/a		
BCLL 0.0 *	Rep Stress Incr YES	WB 0.84	Horz(CT)	-0.00	C	n/a		
BCDL 10.0	Code IBC2018/TPI2014	Matrix-P					Weight: 22 lb	FT = 20%

### LUMBER-

TOP CHORD 2x4 SPF No.2  
BOT CHORD 2x4 SPF No.2  
WEBS 2x4 SPF No.2

### BRACING-

TOP CHORD Structural wood sheathing directly applied or 1-10-6 oc purlins, except end verticals.  
BOT CHORD Rigid ceiling directly applied or 6-0-0 oc bracing.

### REACTIONS.

(size) D=1-10-6, C=1-10-6  
Max Horz D=-151(LC 4)  
Max Uplift D=-1553(LC 24), C=-1553(LC 27)  
Max Grav D=1561(LC 31), C=1561(LC 28)

### FORCES. (lb) - Max. Comp./Max. Ten. - All forces 250 (lb) or less except when shown.

TOP CHORD A-D=-1545/1561, A-B=-396/382  
BOT CHORD C-D=-472/458  
WEBS A-C=-1609/1609

### NOTES-

- Wind: ASCE 7-16; Vult=115mph (3-second gust) Vasd=91mph; TCDL=4.2psf; BCDL=5.0psf; h=30ft; Ke=1.00; Cat. II; Exp B; Enclosed; MWFRS (envelope) gable end zone; cantilever left and right exposed; end vertical left and right exposed; Lumber DOL=1.33 plate grip DOL=1.33
- Truss designed for wind loads in the plane of the truss only. For studs exposed to wind (normal to the face), see Standard Industry Gable End Details as applicable, or consult qualified building designer as per ANSI/TPI 1.
- TCLL: ASCE 7-16; Pf=25.0 psf (Lum DOL = 1.15 Plate DOL = 1.15); Is=1.0; Rough Cat B; Partially Exp.; Ce=1.0; Cs=1.00; Ct=1.10
- Provide adequate drainage to prevent water ponding.
- Gable requires continuous bottom chord bearing.
- Truss to be fully sheathed from one face or securely braced against lateral movement (i.e. diagonal web).
- Gable studs spaced at 2-0-0 oc.
- This truss has been designed for a 10.0 psf bottom chord live load nonconcurrent with any other live loads.
- \* This truss has been designed for a live load of 20.0psf on the bottom chord in all areas where a rectangle 3-6-0 tall by 2-0-0 wide will fit between the bottom chord and any other members.
- Provide mechanical connection (by others) of truss to bearing plate capable of withstanding 100 lb uplift at joint(s) except (jt=lb) D=1553, C=1553.
- This truss is designed in accordance with the 2018 International Building Code section 2306.1 and referenced standard ANSI/TPI 1.
- This truss has been designed for a total drag load of 240 plf. Lumber DOL=(1.33) Plate grip DOL=(1.33) Connect truss to resist drag loads along bottom chord from 0-0-0 to 1-10-6 for 240.0 plf.



September 12, 2024

### WARNING - Verify design parameters and READ NOTES ON THIS AND INCLUDED MITEK REFERENCE PAGE MII-7473 rev. 6/30/2020 BEFORE USE.

Design valid for use only with MiTek® connectors. This design is based only upon parameters shown, and is for an individual building component, not a truss system. Before use, the building designer must verify the applicability of design parameters and properly incorporate this design into the overall building design. Bracing indicated is to prevent buckling of individual truss web and/or chord members only. Additional temporary and permanent bracing is always required for stability and to prevent collapse with possible personal injury and property damage. For general guidance regarding the fabrication, storage, delivery, erection and bracing of trusses and truss systems, see

**ANSI/TPI1 Quality Criteria, DSB-89 and BCSI Building Component Safety Information** available from Truss Plate Institute, 2670 Crain Highway, Suite 203 Waldorf, MD 20601



240 Stirling Crescent  
Bradford, ON. L3Z 4L5

Job	Truss	Truss Type	Qty	Ply	Buildings A-H	U1530863
N0653A	S5	BLOCKING SUPPORTED	22	1		

Alliance Truss (CA), Abbotsford, BC - V2S 7P6,

8.820 s Aug 30 2024 MiTek Industries, Inc. Thu Sep 12 02:48:23 2024 Page 1

ID:hFyjDMxrTsEK\_kgkR0vWWVzF1gc-8\_gOTeGv\_9z3bLer5ynCBgDOsi0DMxJ2BpSCQPyeVqs

## PRMU20240285 - BLDG B

Scale: 3/8"=1'

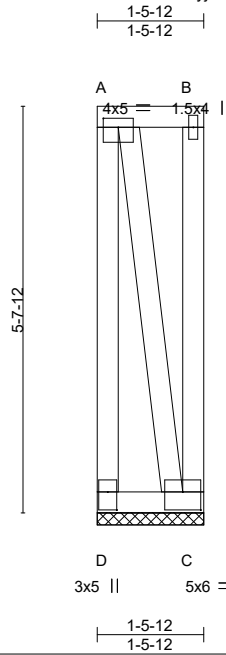


Plate Offsets (X,Y)-- [A:0-2-8,0-1-8], [C:0-3-0,0-3-0], [D:0-3-0,0-1-8]

LOADING (psf)	SPACING-	CSI.	DEFL.	in (loc)	l/defl	L/d	PLATES	GRIP
TCLL 25.0 (Roof Snow=25.0)	2-0-0 Plate Grip DOL 1.15 Lumber DOL 1.15	TC 0.81 BC 0.07 WB 0.85 Matrix-P	Vert(LL) Vert(CT) Horz(CT)	n/a n/a -0.00	- - C	n/a n/a n/a	MT20	197/144
TCDL 12.0	Rep Stress Incr YES Code IBC2018/TPI2014						Weight: 21 lb	FT = 20%
BCLL 0.0 *								
BCDL 10.0								

### LUMBER-

TOP CHORD 2x4 SPF No.2  
BOT CHORD 2x4 SPF No.2  
WEBS 2x4 SPF No.2

### BRACING-

TOP CHORD Structural wood sheathing directly applied or 1-5-12 oc purlins, except end verticals.  
BOT CHORD Rigid ceiling directly applied or 6-0-0 oc bracing.

### REACTIONS.

(size) D=1-5-12, C=1-5-12  
Max Horz D=-152(LC 25)  
Max Uplift D=-1634(LC 24), C=-1634(LC 27)  
Max Grav D=1640(LC 31), C=1640(LC 28)

### FORCES. (lb) - Max. Comp./Max. Ten. - All forces 250 (lb) or less except when shown.

TOP CHORD A-D=-1629/1640, A-B=-313/299  
BOT CHORD C-D=-389/375  
WEBS A-C=-1667/1667

### NOTES-

- Wind: ASCE 7-16; Vult=115mph (3-second gust) Vasd=91mph; TCDL=4.2psf; BCDL=5.0psf; h=30ft; Ke=1.00; Cat. II; Exp B; Enclosed; MWFRS (envelope) gable end zone; cantilever left and right exposed; end vertical left and right exposed; Lumber DOL=1.33 plate grip DOL=1.33
- Truss designed for wind loads in the plane of the truss only. For studs exposed to wind (normal to the face), see Standard Industry Gable End Details as applicable, or consult qualified building designer as per ANSI/TPI 1.
- TCLL: ASCE 7-16; Pf=25.0 psf (Lum DOL = 1.15 Plate DOL = 1.15); Is=1.0; Rough Cat B; Partially Exp.; Ce=1.0; Cs=1.00; Ct=1.10
- Provide adequate drainage to prevent water ponding.
- Gable requires continuous bottom chord bearing.
- Truss to be fully sheathed from one face or securely braced against lateral movement (i.e. diagonal web).
- Gable studs spaced at 2-0-0 oc.
- This truss has been designed for a 10.0 psf bottom chord live load nonconcurrent with any other live loads.
- \* This truss has been designed for a live load of 20.0psf on the bottom chord in all areas where a rectangle 3-6-0 tall by 2-0-0 wide will fit between the bottom chord and any other members.
- Provide mechanical connection (by others) of truss to bearing plate capable of withstanding 100 lb uplift at joint(s) except (jt=lb) D=1634, C=1634.
- This truss is designed in accordance with the 2018 International Building Code section 2306.1 and referenced standard ANSI/TPI 1.
- This truss has been designed for a total drag load of 240 plf. Lumber DOL=(1.33) Plate grip DOL=(1.33) Connect truss to resist drag loads along bottom chord from 0-0-0 to 1-5-12 for 240.0 plf.



September 12, 2024

### WARNING - Verify design parameters and READ NOTES ON THIS AND INCLUDED MITEK REFERENCE PAGE MII-7473 rev. 6/30/2020 BEFORE USE.

Design valid for use only with MiTek® connectors. This design is based only upon parameters shown, and is for an individual building component, not a truss system. Before use, the building designer must verify the applicability of design parameters and properly incorporate this design into the overall building design. Bracing indicated is to prevent buckling of individual truss web and/or chord members only. Additional temporary and permanent bracing is always required for stability and to prevent collapse with possible personal injury and property damage. For general guidance regarding the fabrication, storage, delivery, erection and bracing of trusses and truss systems, see

**ANSI/TPI1 Quality Criteria, DSB-89 and BCSI Building Component Safety Information** available from Truss Plate Institute, 2670 Crain Highway, Suite 203 Waldorf, MD 20601



240 Stirling Crescent  
Bradford, ON. L3Z 4L5

Job	Truss	Truss Type	Qty	Ply	Buildings A-H	U1530864
N0653A	S6	BLOCKING SUPPORTED	98	1		

Alliance Truss (CA), Abbotsford, BC - V2S 7P6,

8.820 s Aug 30 2024 MiTek Industries, Inc. Thu Sep 12 02:48:23 2024 Page 1

ID:hFyjDMxrTsEK\_kgkR0vWWVzFlgc-8\_gOTeGv\_9z3bLer5ynCBgDOoi0HMyf2BpSCQPyeVqs

**PRMU20240285 - BLDG B**

Scale = 1:50.5

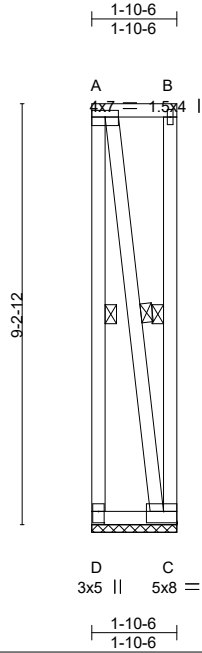


Plate Offsets (X,Y)-- [A:Edge,0-1-12], [C:Edge,0-3-0], [D:0-3-0,0-1-8]

LOADING (psf)		SPACING-		CSI.		DEFL.				PLATES	GRIP	
TCLL	25.0	Plate Grip DOL	1.15	TC	0.81	Vert(LL)	n/a	-	n/a	999	MT20	197/144
(Roof Snow=25.0)		Lumber DOL	1.15	BC	0.07	Vert(CT)	n/a	-	n/a	999		
TCDL	12.0	Rep Stress Incr	YES	WB	0.83	Horz(CT)	0.00	C	n/a	n/a		
BCLL	0.0 *	Code IBC2018/TPI2014		Matrix-P							Weight: 34 lb	FT = 20%
BCDL	10.0											

**LUMBER-**

TOP CHORD 2x4 SPF No.2  
 BOT CHORD 2x4 SPF No.2  
 WEBS 2x4 SPF No.2

**BRACING-**

TOP CHORD Structural wood sheathing directly applied or 1-10-6 oc purlins, except end verticals.  
 BOT CHORD Rigid ceiling directly applied or 6-0-0 oc bracing.  
 WEBS 1 Row at midpt A-D, B-C, A-C

**REACTIONS.**

(size) D=1-10-6, C=1-10-6  
 Max Uplift D=-2155(LC 23), C=-2155(LC 24)  
 Max Grav D=2180(LC 44), C=2180(LC 43)

**FORCES.** (lb) - Max. Comp./Max. Ten. - All forces 250 (lb) or less except when shown.

TOP CHORD A-D=-2164/2163, A-B=-340/340  
 BOT CHORD C-D=-340/340  
 WEBS A-C=-2178/2178

**NOTES-**

- 1) Wind: ASCE 7-16; Vult=115mph (3-second gust) Vasd=91mph; TCDL=4.2psf; BCDL=5.0psf; h=30ft; Ke=1.00; Cat. II; Exp B; Enclosed; MWFRS (envelope) gable end zone; Lumber DOL=1.33 plate grip DOL=1.33
- 2) TCLL: ASCE 7-16; Pf=25.0 psf (Lum DOL = 1.15 Plate DOL = 1.15); Is=1.0; Rough Cat B; Partially Exp.; Ce=1.0; Cs=1.00; Ct=1.10
- 3) Provide adequate drainage to prevent water ponding.
- 4) Gable requires continuous bottom chord bearing.
- 5) This truss has been designed for a 10.0 psf bottom chord live load nonconcurrent with any other live loads.
- 6) \* This truss has been designed for a live load of 20.0psf on the bottom chord in all areas where a rectangle 3-6-0 tall by 2-0-0 wide will fit between the bottom chord and any other members.
- 7) Provide mechanical connection (by others) of truss to bearing plate capable of withstanding 100 lb uplift at joint(s) except (jt=lb) D=2155, C=2155.
- 8) This truss is designed in accordance with the 2018 International Building Code section 2306.1 and referenced standard ANSI/TPI 1.
- 9) This truss has been designed for a total drag load of 240 plf. Lumber DOL=(1.33) Plate grip DOL=(1.33) Connect truss to resist drag loads along bottom chord from 0-0-0 to 1-10-6 for 240.0 plf.



September 12, 2024

**WARNING - Verify design parameters and READ NOTES ON THIS AND INCLUDED MITEK REFERENCE PAGE MII-7473 rev. 6/30/2020 BEFORE USE.**

Design valid for use only with MiTek® connectors. This design is based only upon parameters shown, and is for an individual building component, not a truss system. Before use, the building designer must verify the applicability of design parameters and properly incorporate this design into the overall building design. Bracing indicated is to prevent buckling of individual truss web and/or chord members only. Additional temporary and permanent bracing is always required for stability and to prevent collapse with possible personal injury and property damage. For general guidance regarding the fabrication, storage, delivery, erection and bracing of trusses and truss systems, see

**Safety Information** available from Truss Plate Institute, 2670 Crain Highway, Suite 203 Waldorf, MD 20601

ANSI/TPI1 Quality Criteria, DSB-89 and BCSI Building Component



240 Stirling Crescent  
 Bradford, ON, L3Z 4L5

Job	Truss	Truss Type	Qty	Ply	Buildings A-H	U1530865
N0653A	S7	BLOCKING SUPPORTED	99	1		

Alliance Truss (CA), Abbotsford, BC - V2S 7P6,

8.820 s Aug 30 2024 MiTek Industries, Inc. Thu Sep 12 02:48:24 2024 Page 1

ID:hFyjDMxrTsEK\_kgkR0vWWVzFfgc-cAEmh\_HXIS5wCVD2fglSjulYE6MW5OcBQTcmyryeVqr

**PRMU20240285 - BLDG B**

Scale = 1:50.9

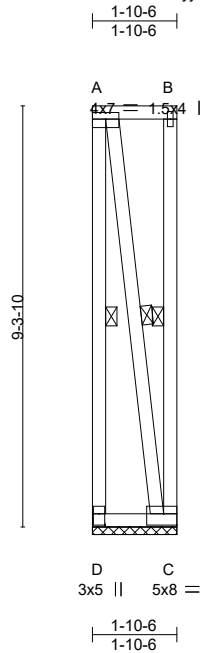


Plate Offsets (X,Y)-- [A:Edge,0-1-12], [C:Edge,0-3-0], [D:0-3-0,0-1-8]

LOADING (psf)	SPACING-	CSI.	DEFL.	in (loc)	l/defl	L/d	PLATES	GRIP
TCLL 25.0 (Roof Snow=25.0)	2-0-0 Plate Grip DOL 1.15	TC 0.83	Vert(LL)	n/a	-	n/a	MT20	197/144
TCDL 12.0	Lumber DOL 1.15	BC 0.07	Vert(CT)	n/a	-	n/a		
BCLL 0.0 *	Rep Stress Incr YES	WB 0.85	Horz(CT)	0.00	C	n/a		
BCDL 10.0	Code IBC2018/TPI2014	Matrix-P					Weight: 34 lb	FT = 20%

**LUMBER-**

TOP CHORD 2x4 SPF No.2  
 BOT CHORD 2x4 SPF No.2  
 WEBS 2x4 SPF No.2

**BRACING-**

TOP CHORD Structural wood sheathing directly applied or 1-10-6 oc purlins, except end verticals.  
 BOT CHORD Rigid ceiling directly applied or 6-0-0 oc bracing.  
 WEBS 1 Row at midpt A-D, B-C, A-C

**REACTIONS.**

(size) D=1-10-6, C=1-10-6  
 Max Uplift D=-2171(LC 23), C=-2171(LC 24)  
 Max Grav D=2197(LC 44), C=2197(LC 43)

**FORCES.** (lb) - Max. Comp./Max. Ten. - All forces 250 (lb) or less except when shown.

TOP CHORD A-D=-2181/2179, A-B=-340/340  
 BOT CHORD C-D=-340/340  
 WEBS A-C=-2195/2195

**NOTES-**

- 1) Wind: ASCE 7-16; Vult=115mph (3-second gust) Vasd=91mph; TCDL=4.2psf; BCDL=5.0psf; h=30ft; Ke=1.00; Cat. II; Exp B; Enclosed; MWFRS (envelope) gable end zone; Lumber DOL=1.33 plate grip DOL=1.33
- 2) TCLL: ASCE 7-16; Pf=25.0 psf (Lum DOL = 1.15 Plate DOL = 1.15); Is=1.0; Rough Cat B; Partially Exp.; Ce=1.0; Cs=1.00; Ct=1.10
- 3) Provide adequate drainage to prevent water ponding.
- 4) Gable requires continuous bottom chord bearing.
- 5) This truss has been designed for a 10.0 psf bottom chord live load nonconcurrent with any other live loads.
- 6) \* This truss has been designed for a live load of 20.0psf on the bottom chord in all areas where a rectangle 3-6-0 tall by 2-0-0 wide will fit between the bottom chord and any other members.
- 7) Provide mechanical connection (by others) of truss to bearing plate capable of withstanding 100 lb uplift at joint(s) except (jt=lb) D=2171, C=2171.
- 8) This truss is designed in accordance with the 2018 International Building Code section 2306.1 and referenced standard ANSI/TPI 1.
- 9) This truss has been designed for a total drag load of 240 plf. Lumber DOL=(1.33) Plate grip DOL=(1.33) Connect truss to resist drag loads along bottom chord from 0-0-0 to 1-10-6 for 240.0 plf.



September 12, 2024

**WARNING - Verify design parameters and READ NOTES ON THIS AND INCLUDED MITEK REFERENCE PAGE MII-7473 rev. 6/30/2020 BEFORE USE.**

Design valid for use only with MiTek® connectors. This design is based only upon parameters shown, and is for an individual building component, not a truss system. Before use, the building designer must verify the applicability of design parameters and properly incorporate this design into the overall building design. Bracing indicated is to prevent buckling of individual truss web and/or chord members only. Additional temporary and permanent bracing is always required for stability and to prevent collapse with possible personal injury and property damage. For general guidance regarding the fabrication, storage, delivery, erection and bracing of trusses and truss systems, see

**Safety Information** available from Truss Plate Institute, 2670 Crain Highway, Suite 203 Waldorf, MD 20601

ANSI/TPI1 Quality Criteria, DSB-89 and BCSI Building Component



240 Stirling Crescent  
 Bradford, ON. L3Z 4L5



Job	Truss	Truss Type	Qty	Ply	Buildings A-H	U1530796
N0653A	S8	BLOCKING SUPPORTED	4	1		

Alliance Truss (CA), Abbotsford, BC - V2S 7P6,

8.630 s Jul 12 2024 MiTek Industries, Inc. Thu Sep 12 02:47:45 2024 Page 1

ID:hFyjDMxrTsEK\_kgkR0vWWVzFgC-RfC?PsB70Hq3NSgPqnL8w3ulTXbGKWrCDoi7J4zJC?f

**PRMU20240285 - BLDG B**

Scale = 1:50.7

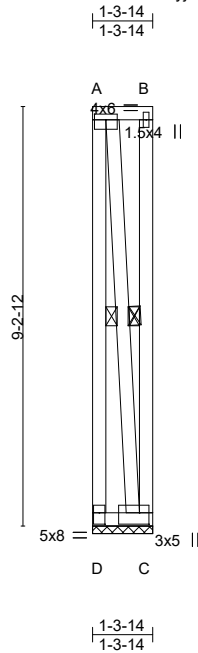


Plate Offsets (X,Y)-- [A:0-3-0,0-1-8], [C:0-2-8,0-3-0], [D:0-3-0,0-1-8]

LOADING (psf)	SPACING-	CSI.	DEFL.	in (loc)	l/defl	L/d	PLATES	GRIP
TCLL 25.0 (Roof Snow=25.0)	2-0-0 Plate Grip DOL 1.15	TC 0.81	Vert(LL)	n/a	-	n/a	MT20	197/144
TCDL 12.0	Lumber DOL 1.15	BC 0.04	Vert(CT)	n/a	-	n/a		
BCLL 0.0 *	Rep Stress Incr YES	WB 0.81	Horz(CT)	0.00	C	n/a		
BCDL 10.0	Code IBC2018/TPI2014	Matrix-P					Weight: 33 lb	FT = 20%

**LUMBER-**

TOP CHORD 2x4 SPF No.2  
 BOT CHORD 2x4 SPF No.2  
 WEBS 2x4 SPF No.2

**BRACING-**

TOP CHORD Structural wood sheathing directly applied or 1-3-14 oc purlins, except end verticals.  
 BOT CHORD Rigid ceiling directly applied or 6-0-0 oc bracing.  
 WEBS 1 Row at midpt A-D, B-C, A-C

**REACTIONS.**

(size) D=1-3-14, C=1-3-14  
 Max Uplift D=-2152(LC 23), C=-2152(LC 24)  
 Max Grav D=2168(LC 44), C=2168(LC 43)

**FORCES.** (lb) - Max. Comp./Max. Ten. - All forces 250 (lb) or less except when shown.

TOP CHORD A-D=-2158/2157  
 WEBS A-C=-2160/2160

**NOTES-**

- 1) Wind: ASCE 7-16; Vult=115mph (3-second gust) Vasd=91mph; TCDL=4.2psf; BCDL=5.0psf; h=30ft; Ke=1.00; Cat. II; Exp B; Enclosed; MWFRS (envelope) gable end zone; Lumber DOL=1.33 plate grip DOL=1.33
- 2) TCLL: ASCE 7-16; Pf=25.0 psf (Lum DOL=1.15 Plate DOL=1.15); Is=1.0; Rough Cat B; Partially Exp.; Ce=1.0; Cs=1.00; Ct=1.10
- 3) Provide adequate drainage to prevent water ponding.
- 4) Gable requires continuous bottom chord bearing.
- 5) This truss has been designed for a 10.0 psf bottom chord live load nonconcurrent with any other live loads.
- 6) \* This truss has been designed for a live load of 20.0psf on the bottom chord in all areas where a rectangle 3-6-0 tall by 2-0-0 wide will fit between the bottom chord and any other members.
- 7) Provide mechanical connection (by others) of truss to bearing plate capable of withstanding 100 lb uplift at joint(s) except (jt=lb) D=2152, C=2152.
- 8) This truss is designed in accordance with the 2018 International Building Code section 2306.1 and referenced standard ANSI/TPI 1.
- 9) This truss has been designed for a total drag load of 240 plf. Lumber DOL=(1.33) Plate grip DOL=(1.33) Connect truss to resist drag loads along bottom chord from 0-0-0 to 1-3-14 for 240.0 plf.



September 12, 2024

**WARNING - Verify design parameters and READ NOTES ON THIS AND INCLUDED MITEK REFERENCE PAGE MII-7473 rev. 6/30/2020 BEFORE USE.**

Design valid for use only with MiTek® connectors. This design is based only upon parameters shown, and is for an individual building component, not a truss system. Before use, the building designer must verify the applicability of design parameters and properly incorporate this design into the overall building design. Bracing indicated is to prevent buckling of individual truss web and/or chord members only. Additional temporary and permanent bracing is always required for stability and to prevent collapse with possible personal injury and property damage. For general guidance regarding the fabrication, storage, delivery, erection and bracing of trusses and truss systems, see

**Safety Information** available from Truss Plate Institute, 2670 Crain Highway, Suite 203 Waldorf, MD 20601

ANSI/TPI1 Quality Criteria, DSB-89 and BCSI Building Component



240 Stirling Crescent  
 Bradford, ON. L3Z 4L5

Job	Truss	Truss Type	Qty	Ply	Buildings A-H	U1530797
N0653A	S9	BLOCKING SUPPORTED	4	1		

Alliance Truss (CA), Abbotsford, BC - V2S 7P6,

8.630 s Jul 12 2024 MiTek Industries, Inc. Thu Sep 12 02:47:46 2024 Page 1

ID:hFyjDMxrTsEK\_kgkR0vWWVzFgC-RfC?PsB70Hq3NSgPqnL8w3ulTXbGKWrCDoi7J4zJC?f

**PRMU20240285 - BLDG B**

Scale = 1:51.1

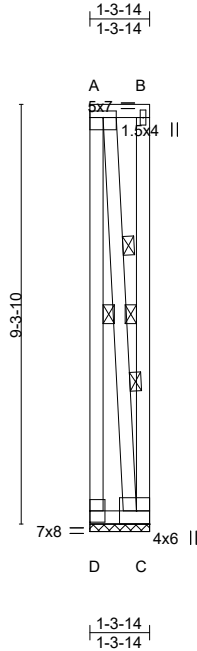


Plate Offsets (X,Y)-- [A:Edge,0-1-12]

LOADING (psf)	SPACING-	CSI.	DEFL.	in (loc)	l/defl	L/d	PLATES	GRIP
TCLL 25.0 (Roof Snow=25.0)	2-0-0 Plate Grip DOL 1.15	TC 0.98	Vert(LL)	n/a	-	n/a	MT20	197/144
TCDL 12.0	Lumber DOL 1.15	BC 0.08	Vert(CT)	n/a	-	n/a		
BCLL 0.0 *	Rep Stress Incr YES	WB 0.96	Horz(CT)	-0.00	C	n/a		
BCDL 10.0	Code IBC2018/TPI2014	Matrix-P					Weight: 33 lb	FT = 20%

**LUMBER-**

TOP CHORD 2x4 SPF No.2  
 BOT CHORD 2x4 SPF No.2  
 WEBS 2x4 SPF 2100F 1.8E \*Except\*  
 A-C: 2x4 SPF No.2

**BRACING-**

TOP CHORD Structural wood sheathing directly applied or 1-3-14 oc purlins, except end verticals.  
 BOT CHORD Rigid ceiling directly applied or 6-0-0 oc bracing.  
 WEBS 1 Row at midpt A-D, B-C  
 2 Rows at 1/3 pts A-C

**REACTIONS.**

(size) D=1-3-14, C=1-3-14  
 Max Horz D=-255(LC 4)  
 Max Uplift D=-3281(LC 24), C=-3281(LC 27)  
 Max Grav D=3287(LC 31), C=3287(LC 28)

**FORCES.** (lb) - Max. Comp./Max. Ten. - All forces 250 (lb) or less except when shown.

TOP CHORD A-D=-3276/3286, A-B=-317/295  
 BOT CHORD C-D=-445/422  
 WEBS A-C=-3297/3297

**NOTES-**

- 1) Wind: ASCE 7-16; Vult=115mph (3-second gust) Vasd=91mph; TCDL=4.2psf; BCDL=5.0psf; h=30ft; Ke=1.00; Cat. II; Exp B; Enclosed; MWFRS (envelope) gable end zone; cantilever left and right exposed; end vertical left and right exposed; Lumber DOL=1.33 plate grip DOL=1.33
- 2) Truss designed for wind loads in the plane of the truss only. For studs exposed to wind (normal to the face), see Standard Industry Gable End Details as applicable, or consult qualified building designer as per ANSI/TPI 1.
- 3) TCLL: ASCE 7-16; Pf=25.0 psf (Lum DOL=1.15 Plate DOL=1.15); Is=1.0; Rough Cat B; Partially Exp.; Ce=1.0; Cs=1.00; Ct=1.10
- 4) Provide adequate drainage to prevent water ponding.
- 5) Gable requires continuous bottom chord bearing.
- 6) Truss to be fully sheathed from one face or securely braced against lateral movement (i.e. diagonal web).
- 7) Gable studs spaced at 2-0-0 oc.
- 8) This truss has been designed for a 10.0 psf bottom chord live load nonconcurrent with any other live loads.
- 9) \* This truss has been designed for a live load of 20.0psf on the bottom chord in all areas where a rectangle 3-6-0 tall by 2-0-0 wide will fit between the bottom chord and any other members.
- 10) Provide mechanical connection (by others) of truss to bearing plate capable of withstanding 100 lb uplift at joint(s) except (jt=lb) D=3281, C=3281.
- 11) This truss is designed in accordance with the 2018 International Building Code section 2306.1 and referenced standard ANSI/TPI 1.
- 12) This truss has been designed for a total drag load of 240 pif. Lumber DOL=(1.33) Plate grip DOL=(1.33) Connect truss to resist drag loads along bottom chord from 0-0-0 to 1-3-14 for 240.0 pif.



September 12, 2024

**WARNING - Verify design parameters and READ NOTES ON THIS AND INCLUDED MITEK REFERENCE PAGE MII-7473 rev. 6/30/2020 BEFORE USE.**

Design valid for use only with MiTek® connectors. This design is based only upon parameters shown, and is for an individual building component, not a truss system. Before use, the building designer must verify the applicability of design parameters and properly incorporate this design into the overall building design. Bracing indicated is to prevent buckling of individual truss web and/or chord members only. Additional temporary and permanent bracing is always required for stability and to prevent collapse with possible personal injury and property damage. For general guidance regarding the fabrication, storage, delivery, erection and bracing of trusses and truss systems, see

**ANSI/TPI1 Quality Criteria, DSB-89 and BCSI Building Component Safety Information** available from Truss Plate Institute, 2670 Crain Highway, Suite 203 Waldorf, MD 20601



240 Stirling Crescent  
 Bradford, ON. L3Z 4L5

Job	Truss	Truss Type	Qty	Ply	Buildings A-H	U1530798
N0653A	S10	BLOCKING SUPPORTED	1	1		

Alliance Truss (CA), Abbotsford, BC - V2S 7P6,

8.630 s Jul 12 2024 MiTek Industries, Inc. Thu Sep 12 02:47:42 2024 Page 1

ID:hFyjDMxrTsEK\_kgkR0vWWVzFfgC-RfC?PsB70Hq3NSgPqnL8w3ulTXbGKWrCDoi7J4zJC?f

**PRMU20240285 - BLDG B**

Scale = 1:50.6

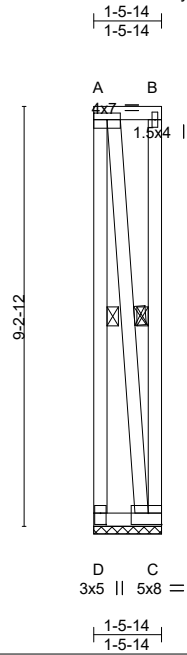


Plate Offsets (X,Y)-- [A:Edge,0-1-12], [C:Edge,0-3-0], [D:0-3-0,0-1-8]

LOADING (psf)	SPACING-	CSI.	DEFL.	in (loc)	l/defl	L/d	PLATES	GRIP	
TCLL 25.0 (Roof Snow=25.0)	2-0-0 Plate Grip DOL 1.15 Lumber DOL 1.15	TC 0.81 BC 0.05 WB 0.82 Matrix-P	Vert(LL)	n/a	-	n/a	999	MT20	197/144
TCDL 12.0	Rep Stress Incr YES		Vert(CT)	n/a	-	n/a	999		
BCLL 0.0 *	Code IBC2018/TPI2014		Horz(CT)	0.00	C	n/a	n/a		
BCDL 10.0							Weight: 33 lb	FT = 20%	

**LUMBER-**

TOP CHORD 2x4 SPF No.2  
 BOT CHORD 2x4 SPF No.2  
 WEBS 2x4 SPF No.2

**BRACING-**

TOP CHORD Structural wood sheathing directly applied or 1-5-14 oc purlins, except end verticals.  
 BOT CHORD Rigid ceiling directly applied or 6-0-0 oc bracing.  
 WEBS 1 Row at midpt A-D, B-C, A-C

**REACTIONS.**

(size) D=1-5-14, C=1-5-14  
 Max Uplift D=-2153(LC 23), C=-2153(LC 24)  
 Max Grav D=2172(LC 44), C=2172(LC 43)

**FORCES.** (lb) - Max. Comp./Max. Ten. - All forces 250 (lb) or less except when shown.

TOP CHORD A-D=-2160/2159, A-B=-259/259  
 BOT CHORD C-D=-259/259  
 WEBS A-C=-2165/2165

**NOTES-**

- 1) Wind: ASCE 7-16; Vult=115mph (3-second gust) Vasd=91mph; TCDL=4.2psf; BCDL=5.0psf; h=30ft; Ke=1.00; Cat. II; Exp B; Enclosed; MWFRS (envelope) gable end zone; Lumber DOL=1.33 plate grip DOL=1.33
- 2) TCLL: ASCE 7-16; Pf=25.0 psf (Lum DOL=1.15 Plate DOL=1.15); Is=1.0; Rough Cat B; Partially Exp.; Ce=1.0; Cs=1.00; Ct=1.10
- 3) Provide adequate drainage to prevent water ponding.
- 4) Gable requires continuous bottom chord bearing.
- 5) This truss has been designed for a 10.0 psf bottom chord live load nonconcurrent with any other live loads.
- 6) \* This truss has been designed for a live load of 20.0psf on the bottom chord in all areas where a rectangle 3-6-0 tall by 2-0-0 wide will fit between the bottom chord and any other members.
- 7) Provide mechanical connection (by others) of truss to bearing plate capable of withstanding 100 lb uplift at joint(s) except (jt=lb) D=2153, C=2153.
- 8) This truss is designed in accordance with the 2018 International Building Code section 2306.1 and referenced standard ANSI/TPI 1.
- 9) This truss has been designed for a total drag load of 240 plf. Lumber DOL=(1.33) Plate grip DOL=(1.33) Connect truss to resist drag loads along bottom chord from 0-0-0 to 1-5-14 for 240.0 plf.



September 12, 2024

**WARNING - Verify design parameters and READ NOTES ON THIS AND INCLUDED MITEK REFERENCE PAGE MII-7473 rev. 6/30/2020 BEFORE USE.**

Design valid for use only with MiTek® connectors. This design is based only upon parameters shown, and is for an individual building component, not a truss system. Before use, the building designer must verify the applicability of design parameters and properly incorporate this design into the overall building design. Bracing indicated is to prevent buckling of individual truss web and/or chord members only. Additional temporary and permanent bracing is always required for stability and to prevent collapse with possible personal injury and property damage. For general guidance regarding the fabrication, storage, delivery, erection and bracing of trusses and truss systems, see

**Safety Information** available from Truss Plate Institute, 2670 Crain Highway, Suite 203 Waldorf, MD 20601

ANSI/TPI1 Quality Criteria, DSB-89 and BCSI Building Component



240 Stirling Crescent  
 Bradford, ON. L3Z 4L5

Job	Truss	Truss Type	Qty	Ply	Buildings A-H	U1530799
N0653A	S11	BLOCKING SUPPORTED	1	1		

Alliance Truss (CA), Abbotsford, BC - V2S 7P6,

8.630 s Jul 12 2024 MiTek Industries, Inc. Thu Sep 12 02:47:43 2024 Page 1

ID:hFyjDMxrTsEK\_kgkR0vWWVzFgC-RfC?PsB70Hq3NSgPqnL8w3ulTXbGKWrCDoi7J4zJC?f

**PRMU20240285 - BLDG B**

Scale = 1:51.0

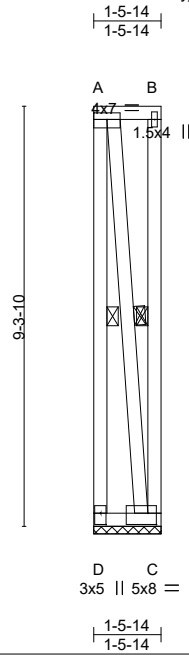


Plate Offsets (X,Y)-- [A:Edge,0-1-12], [C:0-2-4,0-3-0], [D:0-3-0,0-1-8]

LOADING (psf)		SPACING-		CSI.		DEFL.				PLATES	GRIP	
TCLL	25.0	Plate Grip DOL	1.15	TC	0.83	Vert(LL)	n/a	-	n/a	999	MT20	197/144
(Roof Snow=25.0)		Lumber DOL	1.15	BC	0.05	Vert(CT)	n/a	-	n/a	999		
TCDL	12.0	Rep Stress Incr	YES	WB	0.84	Horz(CT)	0.00	C	n/a	n/a		
BCLL	0.0 *	Code IBC2018/TPI2014		Matrix-P							Weight: 33 lb	FT = 20%
BCDL	10.0											

**LUMBER-**

TOP CHORD 2x4 SPF No.2  
 BOT CHORD 2x4 SPF No.2  
 WEBS 2x4 SPF No.2

**BRACING-**

TOP CHORD Structural wood sheathing directly applied or 1-5-14 oc purlins, except end verticals.  
 BOT CHORD Rigid ceiling directly applied or 6-0-0 oc bracing.  
 WEBS 1 Row at midpt A-D, B-C, A-C

**REACTIONS.**

(size) D=1-5-14, C=1-5-14  
 Max Uplift D=-2169(LC 23), C=-2169(LC 24)  
 Max Grav D=2188(LC 44), C=2188(LC 43)

**FORCES.** (lb) - Max. Comp./Max. Ten. - All forces 250 (lb) or less except when shown.

TOP CHORD A-D=-2176/2175, A-B=-259/259  
 BOT CHORD C-D=-259/259  
 WEBS A-C=-2181/2181

**NOTES-**

- 1) Wind: ASCE 7-16; Vult=115mph (3-second gust) Vasd=91mph; TCDL=4.2psf; BCDL=5.0psf; h=30ft; Ke=1.00; Cat. II; Exp B; Enclosed; MWFRS (envelope) gable end zone; Lumber DOL=1.33 plate grip DOL=1.33
- 2) TCLL: ASCE 7-16; Pf=25.0 psf (Lum DOL=1.15 Plate DOL=1.15); Is=1.0; Rough Cat B; Partially Exp.; Ce=1.0; Cs=1.00; Ct=1.10
- 3) Provide adequate drainage to prevent water ponding.
- 4) Gable requires continuous bottom chord bearing.
- 5) This truss has been designed for a 10.0 psf bottom chord live load nonconcurrent with any other live loads.
- 6) \* This truss has been designed for a live load of 20.0psf on the bottom chord in all areas where a rectangle 3-6-0 tall by 2-0-0 wide will fit between the bottom chord and any other members.
- 7) Provide mechanical connection (by others) of truss to bearing plate capable of withstanding 100 lb uplift at joint(s) except (jt=lb) D=2169, C=2169.
- 8) This truss is designed in accordance with the 2018 International Building Code section 2306.1 and referenced standard ANSI/TPI 1.
- 9) This truss has been designed for a total drag load of 240 plf. Lumber DOL=(1.33) Plate grip DOL=(1.33) Connect truss to resist drag loads along bottom chord from 0-0-0 to 1-5-14 for 240.0 plf.



September 12, 2024

**WARNING - Verify design parameters and READ NOTES ON THIS AND INCLUDED MITEK REFERENCE PAGE MII-7473 rev. 6/30/2020 BEFORE USE.**

Design valid for use only with MiTek® connectors. This design is based only upon parameters shown, and is for an individual building component, not a truss system. Before use, the building designer must verify the applicability of design parameters and properly incorporate this design into the overall building design. Bracing indicated is to prevent buckling of individual truss web and/or chord members only. Additional temporary and permanent bracing is always required for stability and to prevent collapse with possible personal injury and property damage. For general guidance regarding the fabrication, storage, delivery, erection and bracing of trusses and truss systems, see

**Safety Information** available from Truss Plate Institute, 2670 Crain Highway, Suite 203 Waldorf, MD 20601

ANSI/TPI1 Quality Criteria, DSB-89 and BCSI Building Component



240 Stirling Crescent  
 Bradford, ON. L3Z 4L5

Job	Truss	Truss Type	Qty	Ply	Buildings A-H	U1530800
N0653A	S12	BLOCKING SUPPORTED	232	1		

Alliance Truss (CA), Abbotsford, BC - V2S 7P6,

8.630 s Jul 12 2024 MiTek Industries, Inc. Thu Sep 12 02:47:43 2024 Page 1

ID:hFyjDMxrTsEK\_kgkR0vWWVzFgC-RfC?PsB70Hq3NSgPqnL8w3ulTXbGKWrCDoi7J4zJC?f

**PRMU20240285 - BLDG B**

Scale = 1:57.7

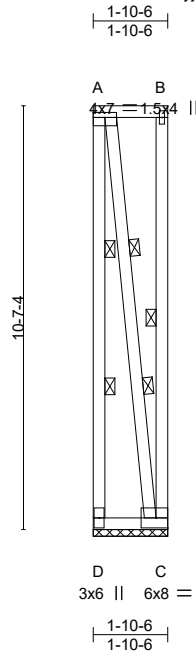


Plate Offsets (X,Y)-- [A:Edge,0-1-8]

LOADING (psf)	SPACING-	CSI.	DEFL.	in (loc)	l/defl	L/d	PLATES	GRIP
TCLL 25.0 (Roof Snow=25.0)	2-0-0 Plate Grip DOL 1.15 Lumber DOL 1.15	TC 0.93 BC 0.07 WB 0.94 Matrix-P	Vert(LL) Vert(CT) Horz(CT)	n/a n/a 0.00	- - C	n/a n/a n/a	999 999	MT20 197/144
TCDL 12.0	Rep Stress Incr YES Code IBC2018/TPI2014						Weight: 39 lb	FT = 20%
BCLL 0.0 *								
BCDL 10.0								

**LUMBER-**

TOP CHORD 2x4 SPF No.2  
BOT CHORD 2x4 SPF No.2  
WEBS 2x4 SPF No.2

**BRACING-**

TOP CHORD Structural wood sheathing directly applied or 1-10-6 oc purlins, except end verticals.  
BOT CHORD Rigid ceiling directly applied or 6-0-0 oc bracing.  
WEBS 1 Row at midpt B-C  
2 Rows at 1/3 pts A-D, A-C

**REACTIONS.**

(size) D=1-10-6, C=1-10-6  
Max Uplift D=-2485(LC 23), C=-2485(LC 24)  
Max Grav D=2510(LC 44), C=2510(LC 43)

**FORCES.** (lb) - Max. Comp./Max. Ten. - All forces 250 (lb) or less except when shown.

TOP CHORD A-D=-2494/2493, A-B=-340/340  
BOT CHORD C-D=-340/340  
WEBS A-C=-2504/2504

**NOTES-**

- 1) Wind: ASCE 7-16; Vult=115mph (3-second gust) Vasd=91mph; TCDL=4.2psf; BCDL=5.0psf; h=30ft; Ke=1.00; Cat. II; Exp B; Enclosed; MWFRS (envelope) gable end zone; Lumber DOL=1.33 plate grip DOL=1.33
- 2) TCLL: ASCE 7-16; Pf=25.0 psf (Lum DOL=1.15 Plate DOL=1.15); Is=1.0; Rough Cat B; Partially Exp.; Ce=1.0; Cs=1.00; Ct=1.10
- 3) Provide adequate drainage to prevent water ponding.
- 4) Gable requires continuous bottom chord bearing.
- 5) This truss has been designed for a 10.0 psf bottom chord live load nonconcurrent with any other live loads.
- 6) \* This truss has been designed for a live load of 20.0psf on the bottom chord in all areas where a rectangle 3-6-0 tall by 2-0-0 wide will fit between the bottom chord and any other members.
- 7) Provide mechanical connection (by others) of truss to bearing plate capable of withstanding 100 lb uplift at joint(s) except (jt=lb) D=2485, C=2485.
- 8) This truss is designed in accordance with the 2018 International Building Code section 2306.1 and referenced standard ANSI/TPI 1.
- 9) This truss has been designed for a total drag load of 240 plf. Lumber DOL=(1.33) Plate grip DOL=(1.33) Connect truss to resist drag loads along bottom chord from 0-0-0 to 1-10-6 for 240.0 plf.



September 12, 2024

**WARNING - Verify design parameters and READ NOTES ON THIS AND INCLUDED MITEK REFERENCE PAGE MII-7473 rev. 6/30/2020 BEFORE USE.**

Design valid for use only with MiTek® connectors. This design is based only upon parameters shown, and is for an individual building component, not a truss system. Before use, the building designer must verify the applicability of design parameters and properly incorporate this design into the overall building design. Bracing indicated is to prevent buckling of individual truss web and/or chord members only. Additional temporary and permanent bracing is always required for stability and to prevent collapse with possible personal injury and property damage. For general guidance regarding the fabrication, storage, delivery, erection and bracing of trusses and truss systems, see

**Safety Information** available from Truss Plate Institute, 2670 Crain Highway, Suite 203 Waldorf, MD 20601

ANSI/TPI1 Quality Criteria, DSB-89 and BCSI Building Component



240 Stirling Crescent  
Bradford, ON. L3Z 4L5

Job	Truss	Truss Type	Qty	Ply	Buildings A-H	U1530801
N0653A	S13	BLOCKING SUPPORTED	6	1		

Alliance Truss (CA), Abbotsford, BC - V2S 7P6,

8.630 s Jul 12 2024 MiTek Industries, Inc. Thu Sep 12 02:47:44 2024 Page 1

ID:hFyjDMxrTsEK\_kgkR0vWWVzFgC-RfC?PsB70Hq3NSgPqnL8w3ulTXbGKWrCDoi7J4zJC?f

**PRMU20240285 - BLDG B**

Scale = 1:57.9

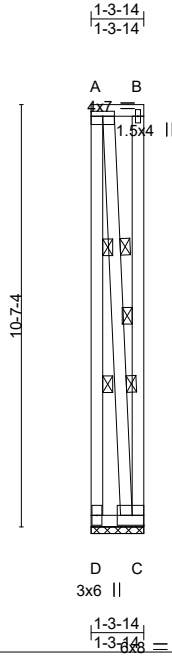


Plate Offsets (X,Y)-- [A:Edge,0-1-8]

LOADING (psf)	SPACING-	CSI.	DEFL.	in (loc)	l/defl	L/d	PLATES	GRIP
TCLL 25.0 (Roof Snow=25.0)	2-0-0 Plate Grip DOL 1.15 Lumber DOL 1.15	TC 0.92 BC 0.04 WB 0.93 Matrix-P	Vert(LL) Vert(CT) Horz(CT)	n/a n/a 0.00	- - C	n/a n/a n/a	999 999	MT20 197/144
TCDL 12.0	Rep Stress Incr YES Code IBC2018/TPI2014						Weight: 37 lb	FT = 20%
BCLL 0.0 *								
BCDL 10.0								

**LUMBER-**

TOP CHORD 2x4 SPF No.2  
BOT CHORD 2x4 SPF No.2  
WEBS 2x4 SPF No.2

**BRACING-**

TOP CHORD Structural wood sheathing directly applied or 1-3-14 oc purlins, except end verticals.  
BOT CHORD Rigid ceiling directly applied or 6-0-0 oc bracing.  
WEBS 1 Row at midpt B-C  
2 Rows at 1/3 pts A-D, A-C

**REACTIONS.**

(size) D=1-3-14, C=1-3-14  
Max Uplift D=-2482(LC 23), C=-2482(LC 24)  
Max Grav D=2498(LC 44), C=2498(LC 43)

**FORCES.** (lb) - Max. Comp./Max. Ten. - All forces 250 (lb) or less except when shown.

TOP CHORD A-D=-2488/2487  
WEBS A-C=-2488/2488

**NOTES-**

- 1) Wind: ASCE 7-16; Vult=115mph (3-second gust) Vasd=91mph; TCDL=4.2psf; BCDL=5.0psf; h=30ft; Ke=1.00; Cat. II; Exp B; Enclosed; MWFRS (envelope) gable end zone; Lumber DOL=1.33 plate grip DOL=1.33
- 2) Truss designed for wind loads in the plane of the truss only. For studs exposed to wind (normal to the face), see Standard Industry Gable End Details as applicable, or consult qualified building designer as per ANSI/TPI 1.
- 3) TCLL: ASCE 7-16; Pf=25.0 psf (Lum DOL=1.15 Plate DOL=1.15); Is=1.0; Rough Cat B; Partially Exp.; Ce=1.0; Cs=1.00; Ct=1.10
- 4) Provide adequate drainage to prevent water ponding.
- 5) Gable requires continuous bottom chord bearing.
- 6) Truss to be fully sheathed from one face or securely braced against lateral movement (i.e. diagonal web).
- 7) Gable studs spaced at 2-0-0 oc.
- 8) This truss has been designed for a 10.0 psf bottom chord live load nonconcurrent with any other live loads.
- 9) \* This truss has been designed for a live load of 20.0psf on the bottom chord in all areas where a rectangle 3-6-0 tall by 2-0-0 wide will fit between the bottom chord and any other members.
- 10) Provide mechanical connection (by others) of truss to bearing plate capable of withstanding 100 lb uplift at joint(s) except (jt=lb) D=2482, C=2482.
- 11) This truss is designed in accordance with the 2018 International Building Code section 2306.1 and referenced standard ANSI/TPI 1.
- 12) This truss has been designed for a total drag load of 240 plf. Lumber DOL=(1.33) Plate grip DOL=(1.33) Connect truss to resist drag loads along bottom chord from 0-0-0 to 1-3-14 for 240.0 plf.



September 12, 2024

**WARNING - Verify design parameters and READ NOTES ON THIS AND INCLUDED MITEK REFERENCE PAGE MII-7473 rev. 6/30/2020 BEFORE USE.**

Design valid for use only with MiTek® connectors. This design is based only upon parameters shown, and is for an individual building component, not a truss system. Before use, the building designer must verify the applicability of design parameters and properly incorporate this design into the overall building design. Bracing indicated is to prevent buckling of individual truss web and/or chord members only. Additional temporary and permanent bracing is always required for stability and to prevent collapse with possible personal injury and property damage. For general guidance regarding the fabrication, storage, delivery, erection and bracing of trusses and truss systems, see

**ANSI/TPI1 Quality Criteria, DSB-89 and BCSI Building Component Safety Information** available from Truss Plate Institute, 2670 Crain Highway, Suite 203 Waldorf, MD 20601



240 Stirling Crescent  
Bradford, ON. L3Z 4L5

Job	Truss	Truss Type	Qty	Ply	Buildings A-H	U1530802
N0653A	S14	BLOCKING SUPPORTED	36	1	Job Reference (optional)	

Alliance Truss (CA), Abbotsford, BC - V2S 7P6,

8.630 s Jul 12 2024 MiTek Industries, Inc. Thu Sep 12 02:47:45 2024 Page 1

ID:hFyjDMxrTsEK\_kgkR0vWWVzFfgc-RfC?PsB70Hq3NSgPqnL8w3ulTXbGKWrCDoi7J4zJC?f

## PRMU20240285 - BLDG B

Scale = 1:70.6

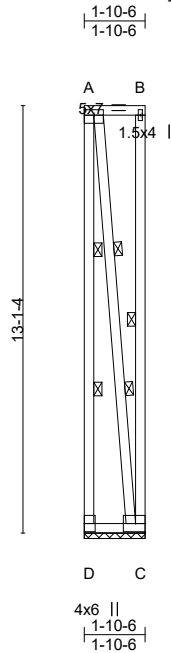


Plate Offsets (X,Y)-- [A:Edge,0-2-0]

6x8 =

LOADING (psf)	SPACING-	CSI.	DEFL.	in (loc)	l/defl	L/d	PLATES	GRIP
TCLL 25.0 (Roof Snow=25.0)	2-0-0 Plate Grip DOL 1.15 Lumber DOL 1.15	TC 0.99 BC 0.07 WB 1.00 Matrix-P	Vert(LL) Vert(CT) Horz(CT)	n/a n/a 0.00	- - C	n/a n/a n/a	MT20	197/144
TCDL 12.0	Rep Stress Incr YES Code IBC2018/TPI2014						Weight: 47 lb	FT = 20%
BCLL 0.0 *								
BCDL 10.0								

### LUMBER-

TOP CHORD 2x4 SPF No.2  
BOT CHORD 2x4 SPF No.2  
WEBS 2x4 SPF 2100F 1.8E

### BRACING-

TOP CHORD Structural wood sheathing directly applied or 1-10-6 oc purlins, except end verticals.  
BOT CHORD Rigid ceiling directly applied or 6-0-0 oc bracing.  
WEBS 1 Row at midpt B-C  
2 Rows at 1/3 pts A-D, A-C

### REACTIONS.

(size) D=1-10-6, C=1-10-6  
Max Uplift D=-3085(LC 23), C=-3085(LC 24)  
Max Grav D=3110(LC 44), C=3110(LC 43)

### FORCES. (lb) - Max. Comp./Max. Ten. - All forces 250 (lb) or less except when shown.

TOP CHORD A-D=-3094/3093, A-B=-340/340  
BOT CHORD C-D=-340/340  
WEBS A-C=-3099/3099

### NOTES-

- 1) Wind: ASCE 7-16; Vult=115mph (3-second gust) Vasd=91mph; TCDL=4.2psf; BCDL=5.0psf; h=30ft; Ke=1.00; Cat. II; Exp B; Enclosed; MWFRS (envelope) gable end zone; Lumber DOL=1.33 plate grip DOL=1.33
- 2) TCLL: ASCE 7-16; Pf=25.0 psf (Lum DOL=1.15 Plate DOL=1.15); Is=1.0; Rough Cat B; Partially Exp.; Ce=1.0; Cs=1.00; Ct=1.10
- 3) Provide adequate drainage to prevent water ponding.
- 4) Gable requires continuous bottom chord bearing.
- 5) This truss has been designed for a 10.0 psf bottom chord live load nonconcurrent with any other live loads.
- 6) \* This truss has been designed for a live load of 20.0psf on the bottom chord in all areas where a rectangle 3-6-0 tall by 2-0-0 wide will fit between the bottom chord and any other members.
- 7) Provide mechanical connection (by others) of truss to bearing plate capable of withstanding 100 lb uplift at joint(s) except (jt=lb) D=3085, C=3085.
- 8) This truss is designed in accordance with the 2018 International Building Code section 2306.1 and referenced standard ANSI/TPI 1.
- 9) This truss has been designed for a total drag load of 240 plf. Lumber DOL=(1.33) Plate grip DOL=(1.33) Connect truss to resist drag loads along bottom chord from 0-0-0 to 1-10-6 for 240.0 plf.



September 12, 2024

### WARNING - Verify design parameters and READ NOTES ON THIS AND INCLUDED MITEK REFERENCE PAGE MII-7473 rev. 6/30/2020 BEFORE USE.

Design valid for use only with MiTek® connectors. This design is based only upon parameters shown, and is for an individual building component, not a truss system. Before use, the building designer must verify the applicability of design parameters and properly incorporate this design into the overall building design. Bracing indicated is to prevent buckling of individual truss web and/or chord members only. Additional temporary and permanent bracing is always required for stability and to prevent collapse with possible personal injury and property damage. For general guidance regarding the fabrication, storage, delivery, erection and bracing of trusses and truss systems, see

**Safety Information** available from Truss Plate Institute, 2670 Crain Highway, Suite 203 Waldorf, MD 20601

ANSI/TPI1 Quality Criteria, DSB-89 and BCSI Building Component



240 Stirling Crescent  
Bradford, ON. L3Z 4L5

Job	Truss	Truss Type	Qty	Ply	Buildings A-H	U1530866
N0653A	S15	BLOCKING STRUCTURAL	2	1		

Alliance Truss (CA), Abbotsford, BC - V2S 7P6,

8.820 s Aug 30 2024 MiTek Industries, Inc. Thu Sep 12 02:48:18 2024 Page 1

ID:hFyjDMxrTsEK\_kgkR0vWWWzFgic-o0tVQwCmAcKnUamulPB1UdWbGhKphrQJ2XIRkByeVqx

**PRMU20240285 - BLDG B**

Scale = 1:47.4

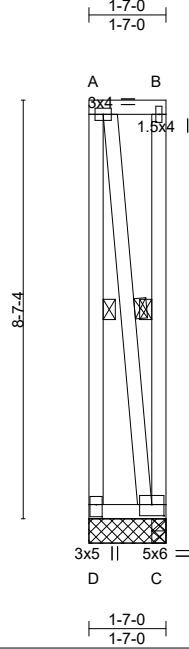


Plate Offsets (X,Y)-- [C:0-3-0,0-2-12], [D:0-3-0,0-1-8]

LOADING (psf)	SPACING-	CSI.	DEFL.	in (loc)	l/defl	L/d	PLATES	GRIP
TCLL 25.0 (Roof Snow=25.0)	2-0-0 Plate Grip DOL 1.15 Lumber DOL 1.15	TC 0.54 BC 0.03 WB 0.19 Matrix-P	Vert(LL)	-0.00	D	>999	MT20	197/144
TCDL 12.0	Rep Stress Incr NO Code IBC2018/TPI2014		Vert(CT)	-0.00	D	>999		
BCLL 0.0 *			Horz(CT)	0.00	C	n/a		
BCDL 10.0			Wind(LL)	0.00	D	****	Weight: 31 lb	FT = 20%

**LUMBER-**

TOP CHORD 2x4 SPF No.2  
 BOT CHORD 2x4 SPF No.2  
 WEBS 2x4 SPF No.2

**BRACING-**

TOP CHORD Structural wood sheathing directly applied or 1-7-0 oc purlins, except end verticals.  
 BOT CHORD Rigid ceiling directly applied or 10-0-0 oc bracing.  
 WEBS 1 Row at midpt A-D, B-C, A-C

**REACTIONS.**

(size) D=1-7-0, C=1-7-0, C=1-7-0  
 Max Horz D=-175(LC 6)  
 Max Uplift D=-548(LC 6), C=-435(LC 5)  
 Max Grav D=419(LC 5), C=577(LC 6), C=61(LC 1)

**FORCES.** (lb) - Max. Comp./Max. Ten. - All forces 250 (lb) or less except when shown.

TOP CHORD A-D=-413/561  
 WEBS A-C=-570/432

**NOTES-**

- 1) Wind: ASCE 7-16; Vult=115mph (3-second gust) Vasd=91mph; TCDL=4.2psf; BCDL=5.0psf; h=30ft; Ke=1.00; Cat. II; Exp B; Enclosed; MWFRS (envelope) gable end zone; cantilever left exposed ; end vertical left exposed; Lumber DOL=1.33 plate grip DOL=1.33
- 2) Truss designed for wind loads in the plane of the truss only. For studs exposed to wind (normal to the face), see Standard Industry Gable End Details as applicable, or consult qualified building designer as per ANSI/TPI 1.
- 3) TCLL: ASCE 7-16; Pf=25.0 psf (Lum DOL = 1.15 Plate DOL = 1.15); Is=1.0; Rough Cat B; Partially Exp.; Ce=1.0; Cs=1.00; Ct=1.10
- 4) Provide adequate drainage to prevent water ponding.
- 5) Gable studs spaced at 2-0-0 oc.
- 6) This truss has been designed for a 10.0 psf bottom chord live load nonconcurrent with any other live loads.
- 7) \* This truss has been designed for a live load of 20.0psf on the bottom chord in all areas where a rectangle 3-6-0 tall by 2-0-0 wide will fit between the bottom chord and any other members.
- 8) Provide mechanical connection (by others) of truss to bearing plate capable of withstanding 100 lb uplift at joint(s) except (jt=lb) D=548, C=435.
- 9) This truss is designed in accordance with the 2018 International Building Code section 2306.1 and referenced standard ANSI/TPI 1.



September 12, 2024

**WARNING - Verify design parameters and READ NOTES ON THIS AND INCLUDED MITEK REFERENCE PAGE MII-7473 rev. 6/30/2020 BEFORE USE.**

Design valid for use only with MiTek® connectors. This design is based only upon parameters shown, and is for an individual building component, not a truss system. Before use, the building designer must verify the applicability of design parameters and properly incorporate this design into the overall building design. Bracing indicated is to prevent buckling of individual truss web and/or chord members only. Additional temporary and permanent bracing is always required for stability and to prevent collapse with possible personal injury and property damage. For general guidance regarding the fabrication, storage, delivery, erection and bracing of trusses and truss systems, see

**Safety Information** available from Truss Plate Institute, 2670 Crain Highway, Suite 203 Waldorf, MD 20601

ANSI/TPI1 Quality Criteria, DSB-89 and BCSI Building Component



240 Stirling Crescent  
 Bradford, ON. L3Z 4L5



Job N0653A	Truss S16	Truss Type BLOCKING STRUCTURAL	Qty 9	Ply 1	Buildings A-H Job Reference (optional)	U1530867
---------------	--------------	-----------------------------------	----------	----------	---	----------

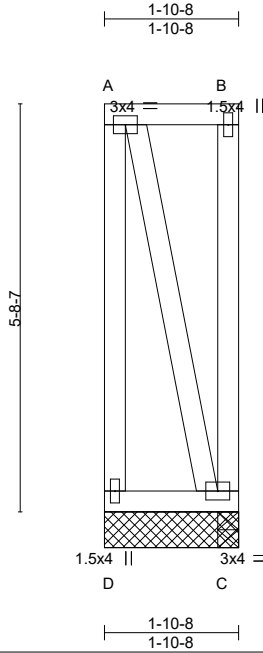
Alliance Truss (CA), Abbotsford, BC - V2S 7P6,

8.820 s Aug 30 2024 MiTek Industries, Inc. Thu Sep 12 02:48:18 2024 Page 1

ID:hFyjDMxrTsEK\_kgkR0vWWVzFlgc-o0TVQwCmAcKnUamuIPB1UdWj0hKrhMJ2XIRkByeVqx

PRMU20240285 - BLDG B

Scale: 3/8"=1'



LOADING (psf)	SPACING-	CSI.	DEFL.	in (loc)	l/defl	L/d	PLATES	GRIP
TCLL 25.0 (Roof Snow=25.0)	2-0-0	TC 0.05	Vert(LL)	-0.00	D	>999	MT20	197/144
TCDL 12.0	Plate Grip DOL 1.15	BC 0.02	Vert(CT)	-0.00	D	>999		
BCLL 0.0 *	Lumber DOL 1.15	WB 0.00	Horz(CT)	0.00	C	n/a		
BCDL 10.0	Rep Stress Incr NO	Matrix-P	Wind(LL)	0.00	D	****	Weight: 22 lb	FT = 20%
	Code IBC2018/TPI2014							

**LUMBER-**

TOP CHORD 2x4 SPF No.2  
 BOT CHORD 2x4 SPF No.2  
 WEBS 2x4 SPF No.2

**BRACING-**

TOP CHORD Structural wood sheathing directly applied or 1-10-8 oc purlins, except end verticals.  
 BOT CHORD Rigid ceiling directly applied or 10-0-0 oc bracing.

**REACTIONS.**

(size) D=1-10-8, C=1-10-8, C=1-10-8  
 Max Uplift D=-9(LC 4), C=-9(LC 4)  
 Max Grav D=74(LC 1), C=74(LC 1), C=74(LC 1)

**FORCES.** (lb) - Max. Comp./Max. Ten. - All forces 250 (lb) or less except when shown.

**NOTES-**

- 1) Wind: ASCE 7-16; Vult=115mph (3-second gust) Vasd=91mph; TCDL=4.2psf; BCDL=5.0psf; h=30ft; Ke=1.00; Cat. II; Exp B; Enclosed; MWFRS (envelope) gable end zone; Lumber DOL=1.33 plate grip DOL=1.33
- 2) Truss designed for wind loads in the plane of the truss only. For studs exposed to wind (normal to the face), see Standard Industry Gable End Details as applicable, or consult qualified building designer as per ANSI/TPI 1.
- 3) TCLL: ASCE 7-16; Pf=25.0 psf (Lum DOL = 1.15 Plate DOL = 1.15); Is=1.0; Rough Cat B; Partially Exp.; Ce=1.0; Cs=1.00; Ct=1.10
- 4) Provide adequate drainage to prevent water ponding.
- 5) Gable studs spaced at 2-0-0 oc.
- 6) This truss has been designed for a 10.0 psf bottom chord live load nonconcurrent with any other live loads.
- 7) \* This truss has been designed for a live load of 20.0psf on the bottom chord in all areas where a rectangle 3-6-0 tall by 2-0-0 wide will fit between the bottom chord and any other members.
- 8) Provide mechanical connection (by others) of truss to bearing plate capable of withstanding 100 lb uplift at joint(s) D, C.
- 9) This truss is designed in accordance with the 2018 International Building Code section 2306.1 and referenced standard ANSI/TPI 1.



September 12, 2024

**WARNING - Verify design parameters and READ NOTES ON THIS AND INCLUDED MITEK REFERENCE PAGE MII-7473 rev. 6/30/2020 BEFORE USE.**

Design valid for use only with MiTek® connectors. This design is based only upon parameters shown, and is for an individual building component, not a truss system. Before use, the building designer must verify the applicability of design parameters and properly incorporate this design into the overall building design. Bracing indicated is to prevent buckling of individual truss web and/or chord members only. Additional temporary and permanent bracing is always required for stability and to prevent collapse with possible personal injury and property damage. For general guidance regarding the fabrication, storage, delivery, erection and bracing of trusses and truss systems, see

**ANSI/TPI1 Quality Criteria, DSB-89 and BCSI Building Component Safety Information** available from Truss Plate Institute, 2670 Crain Highway, Suite 203 Waldorf, MD 20601



240 Stirling Crescent  
 Bradford, ON. L3Z 4L5

Job	Truss	Truss Type	Qty	Ply	Buildings A-H	U1530868
N0653A	S17	BLOCKING STRUCTURAL	2	1		

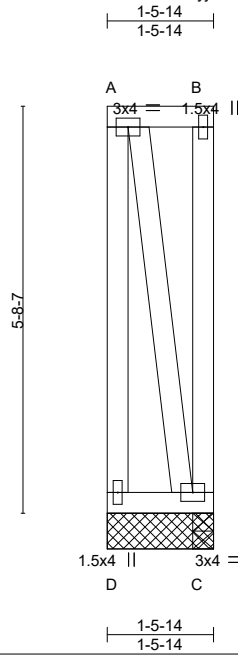
Alliance Truss (CA), Abbotsford, BC - V2S 7P6,

8.820 s Aug 30 2024 MiTek Industries, Inc. Thu Sep 12 02:48:19 2024 Page 1

ID:hFyjDMxrTsEK\_kgkR0vWWVzFigc-GCQteGD0xwTe6kL4s7iG0q2u55fEQKcSGBU?HeyeVqw

PRMU20240285 - BLDG B

Scale: 3/8"=1'



LOADING (psf)	SPACING-	CSI.	DEFL.	in (loc)	l/defl	L/d	PLATES	GRIP
TCLL 25.0 (Roof Snow=25.0)	2-0-0	TC 0.03	Vert(LL)	-0.00	D	>999	MT20	197/144
TCDL 12.0	Plate Grip DOL 1.15	BC 0.01	Vert(CT)	-0.00	D	>999		
BCLL 0.0 *	Lumber DOL 1.15	WB 0.00	Horz(CT)	-0.00	C	n/a		
BCDL 10.0	Rep Stress Incr NO	Matrix-P	Wind(LL)	0.00	D	****	Weight: 21 lb	FT = 20%
	Code IBC2018/TPI2014							

**LUMBER-**

TOP CHORD 2x4 SPF No.2  
 BOT CHORD 2x4 SPF No.2  
 WEBS 2x4 SPF No.2

**BRACING-**

TOP CHORD Structural wood sheathing directly applied or 1-5-14 oc purlins, except end verticals.  
 BOT CHORD Rigid ceiling directly applied or 10-0-0 oc bracing.

**REACTIONS.**

(size) D=1-5-14, C=1-5-14, C=1-5-14  
 Max Uplift D=-7(LC 4), C=-7(LC 4)  
 Max Grav D=56(LC 1), C=56(LC 1), C=56(LC 1)

**FORCES.** (lb) - Max. Comp./Max. Ten. - All forces 250 (lb) or less except when shown.

**NOTES-**

- 1) Wind: ASCE 7-16; Vult=115mph (3-second gust) Vasd=91mph; TCDL=4.2psf; BCDL=5.0psf; h=30ft; Ke=1.00; Cat. II; Exp B; Enclosed; MWFRS (envelope) gable end zone; Lumber DOL=1.33 plate grip DOL=1.33
- 2) Truss designed for wind loads in the plane of the truss only. For studs exposed to wind (normal to the face), see Standard Industry Gable End Details as applicable, or consult qualified building designer as per ANSI/TPI 1.
- 3) TCLL: ASCE 7-16; Pf=25.0 psf (Lum DOL = 1.15 Plate DOL = 1.15); Is=1.0; Rough Cat B; Partially Exp.; Ce=1.0; Cs=1.00; Ct=1.10
- 4) Provide adequate drainage to prevent water ponding.
- 5) Gable studs spaced at 2-0-0 oc.
- 6) This truss has been designed for a 10.0 psf bottom chord live load nonconcurrent with any other live loads.
- 7) \* This truss has been designed for a live load of 20.0psf on the bottom chord in all areas where a rectangle 3-6-0 tall by 2-0-0 wide will fit between the bottom chord and any other members.
- 8) Provide mechanical connection (by others) of truss to bearing plate capable of withstanding 100 lb uplift at joint(s) D, C.
- 9) This truss is designed in accordance with the 2018 International Building Code section 2306.1 and referenced standard ANSI/TPI 1.



September 12, 2024

**WARNING - Verify design parameters and READ NOTES ON THIS AND INCLUDED MITEK REFERENCE PAGE MII-7473 rev. 6/30/2020 BEFORE USE.**

Design valid for use only with MiTek® connectors. This design is based only upon parameters shown, and is for an individual building component, not a truss system. Before use, the building designer must verify the applicability of design parameters and properly incorporate this design into the overall building design. Bracing indicated is to prevent buckling of individual truss web and/or chord members only. Additional temporary and permanent bracing is always required for stability and to prevent collapse with possible personal injury and property damage. For general guidance regarding the fabrication, storage, delivery, erection and bracing of trusses and truss systems, see

**ANSI/TPI1 Quality Criteria, DSB-89 and BCSI Building Component**

**Safety Information** available from Truss Plate Institute, 2670 Crain Highway, Suite 203 Waldorf, MD 20601



240 Stirling Crescent  
 Bradford, ON. L3Z 4L5

Job	Truss	Truss Type	Qty	Ply	Buildings A-H	U1530869
N0653A	S18	BLOCKING STRUCTURAL	1	1		

Alliance Truss (CA), Abbotsford, BC - V2S 7P6,

8.820 s Aug 30 2024 MiTek Industries, Inc. Thu Sep 12 02:48:19 2024 Page 1

ID:hFyjDMxrTsEK\_kgkR0vWVvzFfgc-GCQteGDOxwTe6kL4s7IG0q2kw5fUQAWSGBU?HeyeVqw



**PRMU20240285 - BLDG B**

Scale: 1/4"=1'

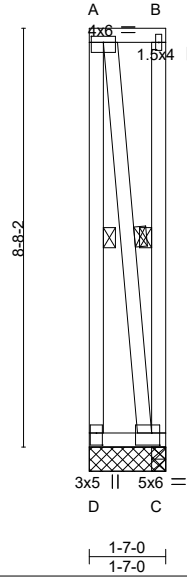


Plate Offsets (X,Y)-- [A:0-3-0,0-1-8], [C:0-2-0,0-3-0], [D:0-3-0,0-1-8]

LOADING (psf)	SPACING-	CSI.	DEFL.	in (loc)	l/defl	L/d	PLATES	GRIP
TCLL 25.0 (Roof Snow=25.0)	2-0-0 Plate Grip DOL 1.15 Lumber DOL 1.15	TC 0.68 BC 0.06 WB 0.68 Matrix-P	Vert(LL)	-0.00	D	>999	MT20	197/144
TCDL 12.0	Rep Stress Incr NO		Vert(CT)	-0.00	D	>999		
BCLL 0.0 *	Code IBC2018/TPI2014		Horz(CT)	0.00	C	n/a		
BCDL 10.0			Wind(LL)	0.00	D	****	Weight: 31 lb	FT = 20%

**LUMBER-**

TOP CHORD 2x4 SPF No.2  
BOT CHORD 2x4 SPF No.2  
WEBS 2x4 SPF No.2

**BRACING-**

TOP CHORD Structural wood sheathing directly applied or 1-7-0 oc purlins, except end verticals.  
BOT CHORD Rigid ceiling directly applied or 6-0-0 oc bracing.  
WEBS 1 Row at midpt A-D, B-C, A-C

**REACTIONS.**

(size) D=1-7-0, C=1-7-0, C=1-7-0  
Max Uplift D=-2020(LC 23), C=-2020(LC 24)  
Max Grav D=2041(LC 44), C=2041(LC 43), C=61(LC 1)

**FORCES.** (lb) - Max. Comp./Max. Ten. - All forces 250 (lb) or less except when shown.

TOP CHORD A-D=-2028/2026, A-B=-279/279  
BOT CHORD C-D=-279/279  
WEBS A-C=-2036/2036

**NOTES-**

- 1) Wind: ASCE 7-16; Vult=115mph (3-second gust) Vasd=91mph; TCDL=4.2psf; BCDL=5.0psf; h=30ft; Ke=1.00; Cat. II; Exp B; Enclosed; MWFRS (envelope) gable end zone; Lumber DOL=1.33 plate grip DOL=1.33
- 2) Truss designed for wind loads in the plane of the truss only. For studs exposed to wind (normal to the face), see Standard Industry Gable End Details as applicable, or consult qualified building designer as per ANSI/TPI 1.
- 3) TCLL: ASCE 7-16; Pf=25.0 psf (Lum DOL = 1.15 Plate DOL = 1.15); Is=1.0; Rough Cat B; Partially Exp.; Ce=1.0; Cs=1.00; Ct=1.10
- 4) Provide adequate drainage to prevent water ponding.
- 5) Gable studs spaced at 2-0-0 oc.
- 6) This truss has been designed for a 10.0 psf bottom chord live load nonconcurrent with any other live loads.
- 7) \* This truss has been designed for a live load of 20.0psf on the bottom chord in all areas where a rectangle 3-6-0 tall by 2-0-0 wide will fit between the bottom chord and any other members.
- 8) Provide mechanical connection (by others) of truss to bearing plate capable of withstanding 100 lb uplift at joint(s) except (jt=lb) D=2020, C=2020.
- 9) This truss is designed in accordance with the 2018 International Building Code section 2306.1 and referenced standard ANSI/TPI 1.
- 10) This truss has been designed for a total drag load of 240 plf. Lumber DOL=(1.33) Plate grip DOL=(1.33) Connect truss to resist drag loads along bottom chord from 0-0-0 to 1-7-0 for 240.1 plf.



September 12, 2024

**WARNING - Verify design parameters and READ NOTES ON THIS AND INCLUDED MITEK REFERENCE PAGE MII-7473 rev. 6/30/2020 BEFORE USE.**

Design valid for use only with MiTek® connectors. This design is based only upon parameters shown, and is for an individual building component, not a truss system. Before use, the building designer must verify the applicability of design parameters and properly incorporate this design into the overall building design. Bracing indicated is to prevent buckling of individual truss web and/or chord members only. Additional temporary and permanent bracing is always required for stability and to prevent collapse with possible personal injury and property damage. For general guidance regarding the fabrication, storage, delivery, erection and bracing of trusses and truss systems, see

**Safety Information** available from Truss Plate Institute, 2670 Crain Highway, Suite 203 Waldorf, MD 20601

ANSI/TPI1 Quality Criteria, DSB-89 and BCSI Building Component



240 Stirling Crescent  
Bradford, ON. L3Z 4L5

Job	Truss	Truss Type	Qty	Ply	Buildings A-H	U1530870
N0653A	S19	BLOCKING SUPPORTED	1	1		

Alliance Truss (CA), Abbotsford, BC - V2S 7P6,

8.820 s Aug 30 2024 MiTek Industries, Inc. Thu Sep 12 02:48:20 2024 Page 1

ID:hFyjDMxrTsEK\_kgkR0vWWVzFfgc-kP\_FrcE1iEbVkuvGQqDVZ2btaU?y9b9cVrEYp4yeVqv

**PRMU20240285 - BLDG B**

Scale = 1:50.7

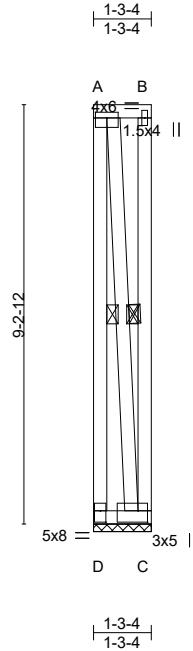


Plate Offsets (X,Y)-- [A:0-3-0,0-1-8], [C:0-2-8,0-3-0], [D:0-3-0,0-1-8]

LOADING (psf)	SPACING-	CSI.	DEFL.	in (loc)	l/defl	L/d	PLATES	GRIP
TCLL 25.0 (Roof Snow=25.0)	2-0-0 Plate Grip DOL 1.15	TC 0.81	Vert(LL)	n/a	-	n/a	MT20	197/144
TCDL 12.0	Lumber DOL 1.15	BC 0.05	Vert(CT)	n/a	-	n/a		
BCLL 0.0 *	Rep Stress Incr NO	WB 0.81	Horz(CT)	0.00	C	n/a		
BCDL 10.0	Code IBC2018/TPI2014	Matrix-P					Weight: 33 lb	FT = 20%

**LUMBER-**

TOP CHORD 2x4 SPF No.2  
 BOT CHORD 2x4 SPF No.2  
 WEBS 2x4 SPF No.2

**BRACING-**

TOP CHORD Structural wood sheathing directly applied or 1-3-4 oc purlins, except end verticals.  
 BOT CHORD Rigid ceiling directly applied or 6-0-0 oc bracing.  
 WEBS 1 Row at midpt A-D, B-C, A-C

**REACTIONS.**

(size) D=1-3-4, C=1-3-4  
 Max Uplift D=-2151(LC 23), C=-2151(LC 24)  
 Max Grav D=2167(LC 44), C=2167(LC 43)

**FORCES.** (lb) - Max. Comp./Max. Ten. - All forces 250 (lb) or less except when shown.

TOP CHORD A-D=-2157/2156  
 WEBS A-C=-2158/2158

**NOTES-**

- 1) Wind: ASCE 7-16; Vult=115mph (3-second gust) Vasd=91mph; TCDL=4.2psf; BCDL=5.0psf; h=30ft; Ke=1.00; Cat. II; Exp B; Enclosed; MWFRS (envelope) gable end zone; Lumber DOL=1.33 plate grip DOL=1.33
- 2) Truss designed for wind loads in the plane of the truss only. For studs exposed to wind (normal to the face), see Standard Industry Gable End Details as applicable, or consult qualified building designer as per ANSI/TPI 1.
- 3) TCLL: ASCE 7-16; Pf=25.0 psf (Lum DOL = 1.15 Plate DOL = 1.15); Is=1.0; Rough Cat B; Partially Exp.; Ce=1.0; Cs=1.00; Ct=1.10
- 4) Provide adequate drainage to prevent water ponding.
- 5) Gable requires continuous bottom chord bearing.
- 6) Truss to be fully sheathed from one face or securely braced against lateral movement (i.e. diagonal web).
- 7) Gable studs spaced at 2-0-0 oc.
- 8) This truss has been designed for a 10.0 psf bottom chord live load nonconcurrent with any other live loads.
- 9) \* This truss has been designed for a live load of 20.0psf on the bottom chord in all areas where a rectangle 3-6-0 tall by 2-0-0 wide will fit between the bottom chord and any other members.
- 10) Provide mechanical connection (by others) of truss to bearing plate capable of withstanding 100 lb uplift at joint(s) except (jt=lb) D=2151, C=2151.
- 11) This truss is designed in accordance with the 2018 International Building Code section 2306.1 and referenced standard ANSI/TPI 1.
- 12) This truss has been designed for a total drag load of 240 plf. Lumber DOL=(1.33) Plate grip DOL=(1.33) Connect truss to resist drag loads along bottom chord from 0-0-0 to 1-3-4 for 240.0 plf.



September 12, 2024

**WARNING - Verify design parameters and READ NOTES ON THIS AND INCLUDED MITEK REFERENCE PAGE MII-7473 rev. 6/30/2020 BEFORE USE.**

Design valid for use only with MiTek® connectors. This design is based only upon parameters shown, and is for an individual building component, not a truss system. Before use, the building designer must verify the applicability of design parameters and properly incorporate this design into the overall building design. Bracing indicated is to prevent buckling of individual truss web and/or chord members only. Additional temporary and permanent bracing is always required for stability and to prevent collapse with possible personal injury and property damage. For general guidance regarding the fabrication, storage, delivery, erection and bracing of trusses and truss systems, see

**ANSI/TPI1 Quality Criteria, DSB-89 and BCSI Building Component**

**Safety Information** available from Truss Plate Institute, 2670 Crain Highway, Suite 203 Waldorf, MD 20601



240 Stirling Crescent  
 Bradford, ON. L3Z 4L5

Job N0653A	Truss T1	Truss Type GABLE	Qty 9	Ply 1	Buildings A-H Job Reference (optional)	U1530871
---------------	-------------	---------------------	----------	----------	---	----------

Alliance Truss (CA), Abbotsford, BC - V2S 7P6,

8.820 s Aug 30 2024 MiTek Industries, Inc. Thu Sep 12 02:48:25 2024 Page 1

ID:hFyjDMxrTsEK\_kgkR0vWVvzFlgc-4Mo8uJI9WmDnqfoECNphG5Ik9VW\_qqelF7xJUHYeVqq



**PRMU20240285 - BLDG B**

4.00 | 12

3x4 =

Scale = 1:57.2

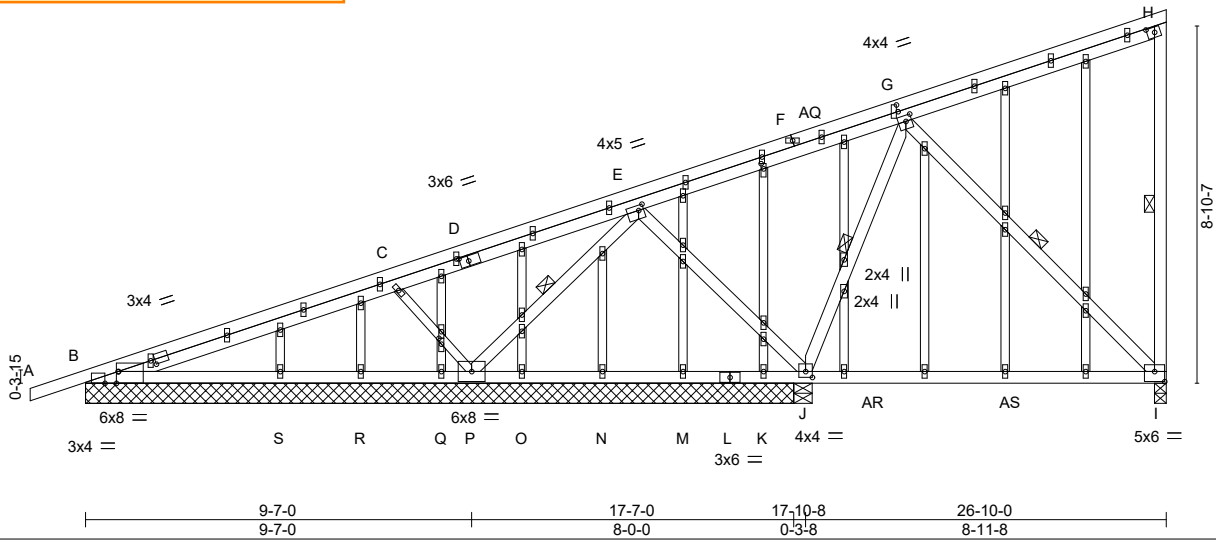


Plate Offsets (X,Y)-- [B:0-0-9,Edge], [B:0-11-7,0-1-8], [B:0-4-0,Edge], [D:0-2-10,0-1-8], [E:0-1-8,0-1-8], [G:0-2-0,0-0-8], [G:0-1-12,0-1-12], [H:0-2-4,0-1-8], [I:0-3-0,0-3-0], [J:0-2-0,0-1-12], [AF:0-1-9,0-0-12], [AM:0-1-12,0-0-12]

<b>LOADING</b> (psf)	<b>SPACING-</b>	<b>CSI.</b>	<b>DEFL.</b>	in (loc)	l/defl	L/d	<b>PLATES</b>	<b>GRIP</b>
TCLL 25.0 (Roof Snow=25.0)	2-0-0	TC 0.82	Vert(LL) -0.22	I-J	>478	360	MT20	197/144
TCDL 12.0	Lumber DOL 1.15	BC 0.89	Vert(CT) -0.37	I-J	>288	240		
BCLL 0.0 *	Rep Stress Incr YES	WB 0.93	Horz(CT) -0.02	N	n/a	n/a		
BCDL 10.0	Code IBC2018/TPI2014	Matrix-S	Wind(LL) -0.04	I-J	>999	240	Weight: 176 lb	FT = 20%

**LUMBER-**

TOP CHORD 2x4 SPF No.2  
 BOT CHORD 2x4 SPF No.2  
 WEBS 2x4 SPF No.2 \*Except\*  
 C-P: 2x3 SPF No.2  
 OTHERS 2x3 SPF No.2

**BRACING-**

TOP CHORD Structural wood sheathing directly applied or 3-4-15 oc purlins, except end verticals.  
 BOT CHORD Rigid ceiling directly applied or 3-6-7 oc bracing.  
 WEBS 1 Row at midpt H-I, E-P, G-J, G-I

**REACTIONS.**

All bearings 17-7-0 except (jt=length) I=0-3-8, J=0-5-8.  
 (lb) - Max Horz B=434(LC 38)  
 Max Uplift All uplift 100 lb or less at joint(s) R except I=-871(LC 41), B=-806(LC 32), P=-2103(LC 40), J=-318(LC 32), K=-446(LC 19)  
 Max Grav All reactions 250 lb or less at joint(s) M, N, O, Q, R, S except I=1117(LC 28), B=921(LC 29), P=2141(LC 53), J=1434(LC 29)

**FORCES.**

(lb) - Max. Comp./Max. Ten. - All forces 250 (lb) or less except when shown.  
 TOP CHORD B-C=-2718/2502, C-E=-1022/984, E-G=-2148/1999, G-H=-1764/1659, H-I=-301/52  
 BOT CHORD B-S=-2719/2495, R-S=-948/845, Q-R=-820/717, P-Q=-1096/992, O-P=-882/804,  
 N-O=-480/402, M-N=-1213/1134, K-M=-1945/1862, J-K=-2328/2249, I-J=-886/836  
 WEBS C-P=-559/200, E-P=-2729/2683, E-J=-1440/1477, G-J=-1516/1417, G-I=-1175/1213

**NOTES-**

- 1) Wind: ASCE 7-16; Vult=115mph (3-second gust) Vasd=91mph; TCDL=4.2psf; BCDL=5.0psf; h=30ft; Ke=1.00; Cat. II; Exp B; Enclosed; MWFRS (envelope) gable end zone; cantilever left and right exposed ; end vertical left and right exposed; Lumber DOL=1.33 plate grip DOL=1.33
- 2) Truss designed for wind loads in the plane of the truss only. For studs exposed to wind (normal to the face), see Standard Industry Gable End Details as applicable, or consult qualified building designer as per ANSI/TPI 1.
- 3) TCLL: ASCE 7-16; Pf=25.0 psf (Lum DOL = 1.15 Plate DOL = 1.15); Is=1.0; Rough Cat B; Partially Exp.; Ce=1.0; Cs=1.00; Ct=1.10
- 4) Unbalanced snow loads have been considered for this design.
- 5) This truss has been designed for greater of min roof live load of 20.0 psf or 2.00 times flat roof load of 25.0 psf on overhangs non-concurrent with other live loads.
- 6) All plates are 1.5x4 MT20 unless otherwise indicated.
- 7) Gable studs spaced at 2-0-0 oc.
- 8) This truss has been designed for a 10.0 psf bottom chord live load nonconcurrent with any other live loads.
- 9) \* This truss has been designed for a live load of 20.0psf on the bottom chord in all areas where a rectangle 3-6-0 tall by 2-0-0 wide will fit between the bottom chord and any other members, with BCDL = 10.0psf.
- 10) Provide mechanical connection (by others) of truss to bearing plate capable of withstanding 100 lb uplift at joint(s) R except (jt=lb) I=871, B=806, P=2103, J=318, K=446.
- 11) This truss is designed in accordance with the 2018 International Building Code section 2306.1 and referenced standard ANSI/TPI 1.
- 12) This truss has been designed for a total drag load of 240 plf. Lumber DOL=(1.33) Plate grip DOL=(1.33) Connect truss to resist continuous loading on bottom chord from 0-0-0 to 17-7-0 for 366.3 plf.



September 12, 2024

**WARNING - Verify design parameters and READ NOTES ON THIS AND INCLUDED MITEK REFERENCE PAGE MII-7473 rev. 6/30/2020 BEFORE USE.**

Design valid for use only with MiTek® connectors. This design is based only on parameters shown, and is for an individual building component, not a truss system. Before use, the building designer must verify the applicability of design parameters and properly incorporate this design into the overall building design. Bracing indicated is to prevent buckling of individual truss web and/or chord members only. Additional temporary and permanent bracing is always required for stability and to prevent collapse with possible personal injury and property damage. For general guidance regarding the fabrication, storage, delivery, erection and bracing of trusses and truss systems, see

**ANSI/TPI1 Quality Criteria, DSB-89 and BCSI Building Component**

**Safety Information** available from Truss Plate Institute, 2670 Crain Highway, Suite 203 Waldorf, MD 20601



240 Stirling Crescent  
 Bradford, ON. L3Z 4L5


Job	Truss	Truss Type	Qty	Ply	Buildings A-H	U1530871
N0653A	T1	GABLE	9	1	Job Reference (optional)	

Alliance Truss (CA), Abbotsford, BC - V2S 7P6,

8.820 s Aug 30 2024 MiTek Industries, Inc. Thu Sep 12 02:48:26 2024 Page 2  
 ID:hFyjDMxrTsEK\_kgkR0vWWWzFgc-ZZLW6fJnH4LeSpNQm5KwoJruvvrDZHUtnhs0kyeVqp

- NOTES-**
- 13) No notches allowed in overhang and 10408 from left end and 0 from right end or 12" along rake from scarf, whichever is larger. Minimum 1.5x4 tie plates required at 2-0-0 o.c. maximum between the stacking chords. For edge-wise notching, provide at least one tie plate between each notch.

PRMU20240285 - BLDG B

 **WARNING - Verify design parameters and READ NOTES ON THIS AND INCLUDED MITEK REFERENCE PAGE MII-7473 rev. 6/30/2020 BEFORE USE.**  
 Design valid for use only with MiTek® connectors. This design is based only upon parameters shown, and is for an individual building component, not a truss system. Before use, the building designer must verify the applicability of design parameters and properly incorporate this design into the overall building design. Bracing indicated is to prevent buckling of individual truss web and/or chord members only. Additional temporary and permanent bracing is always required for stability and to prevent collapse with possible personal injury and property damage. For general guidance regarding the fabrication, storage, delivery, erection and bracing of trusses and truss systems, see **ANSI/TPI1 Quality Criteria, DSB-89 and BCSI Building Component Safety Information** available from Truss Plate Institute, 2670 Crain Highway, Suite 203 Waldorf, MD 20601

  
 240 Stirling Crescent  
 Bradford, ON. L3Z 4L5

Job N0653A	Truss T2	Truss Type Monopitch	Qty 45	Ply 1	Buildings A-H	U1530872
---------------	-------------	-------------------------	-----------	----------	---------------	----------

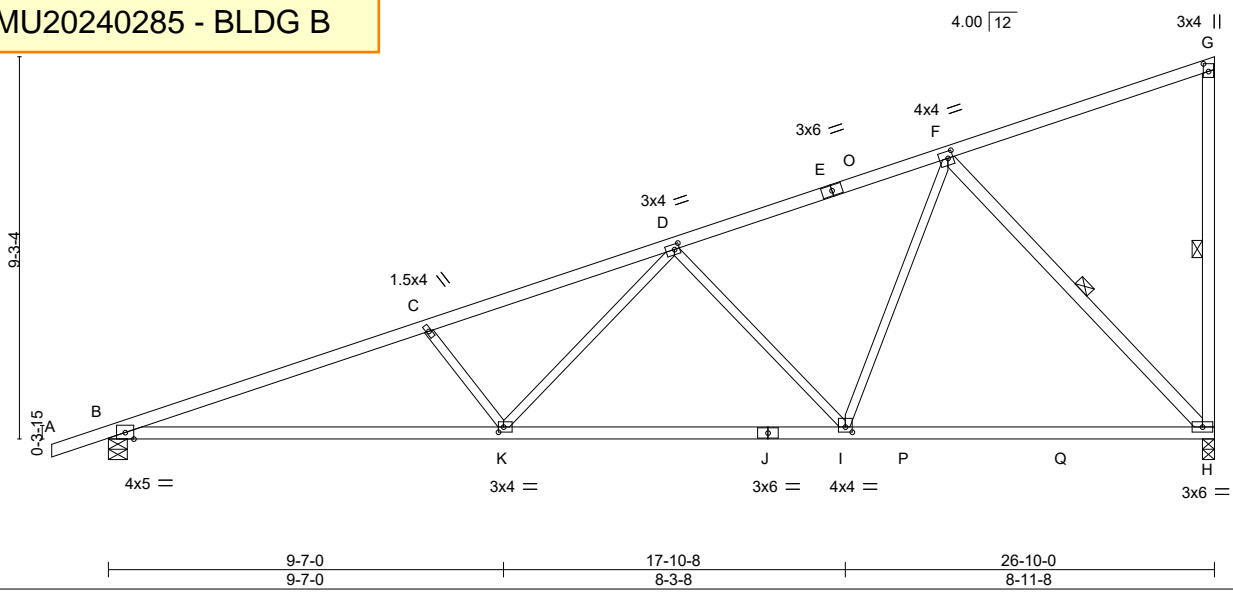
Alliance Truss (CA), Abbotsford, BC - V2S 7P6,

8.820 s Aug 30 2024 MiTek Industries, Inc. Thu Sep 12 02:48:26 2024 Page 1

ID:hFyjDMxrTsEK\_kgkR0vWWVzFgC-ZZLW6fJnH4LeSpNQm5KwoJrs6vq9ZITUtnhs0kyeVqp



**PRMU20240285 - BLDG B**



Scale = 1:55.9

Plate Offsets (X,Y)-- [D:0-1-8,0-1-8], [F:0-1-8,0-2-0], [G:0-2-4,0-1-8], [I:0-2-0,0-1-8], [K:0-1-8,0-1-8]

LOADING (psf)	SPACING-	CSI.	DEFL.	PLATES	GRIP
TCLL 25.0 (Roof Snow=25.0)	2-0-0 Plate Grip DOL 1.15 Lumber DOL 1.15	TC 0.94 BC 0.95 WB 0.89 Matrix-MS	in (loc) l/defl L/d Vert(LL) -0.31 H-I >999 360 Vert(CT) -0.55 K-N >587 240 Horz(CT) 0.07 H n/a n/a Wind(LL) 0.13 K-N >999 240	MT20	197/144
TCDL 12.0	Rep Stress Incr YES Code IBC2018/TPI2014			Weight: 103 lb	FT = 20%
BCLL 0.0 *					
BCDL 10.0					

LUMBER-	BRACING-
TOP CHORD 2x4 SPF No.2	TOP CHORD Structural wood sheathing directly applied, except end verticals.
BOT CHORD 2x4 SPF No.2 *Except*	BOT CHORD Rigid ceiling directly applied or 2-2-0 oc bracing.
B-J: 2x4 SPF 2100F 1.8E	WEBS 1 Row at midpt G-H, F-H
WEBS 2x3 SPF No.2 *Except*	
G-H,F-H: 2x4 SPF No.2	

**REACTIONS.** (size) H=0-3-8, B=0-5-8  
 Max Horz B=301(LC 9)  
 Max Uplift H=-180(LC 10), B=-182(LC 6)  
 Max Grav H=1537(LC 3), B=1425(LC 3)

**FORCES.** (lb) - Max. Comp./Max. Ten. - All forces 250 (lb) or less except when shown.  
 TOP CHORD B-C=-3139/325, C-D=-2876/291, D-F=-1586/171, G-H=-296/51  
 BOT CHORD B-K=-394/2941, I-K=-249/2033, H-I=-112/1082  
 WEBS C-K=-534/165, D-K=-71/947, D-I=-914/199, F-I=-64/1078, F-H=-1568/234

- NOTES-**
- 1) Wind: ASCE 7-16; Vult=115mph (3-second gust) Vasd=91mph; TCDL=4.2psf; BCDL=5.0psf; h=30ft; Ke=1.00; Cat. II; Exp B; Enclosed; MWFRS (envelope) gable end zone; cantilever left and right exposed ; end vertical left and right exposed; Lumber DOL=1.33 plate grip DOL=1.33
  - 2) TCLL: ASCE 7-16; Pf=25.0 psf (Lum DOL = 1.15 Plate DOL = 1.15); Is=1.0; Rough Cat B; Partially Exp.; Ce=1.0; Cs=1.00; Ct=1.10
  - 3) Unbalanced snow loads have been considered for this design.
  - 4) This truss has been designed for greater of min roof live load of 20.0 psf or 2.00 times flat roof load of 25.0 psf on overhangs non-concurrent with other live loads.
  - 5) This truss has been designed for a 10.0 psf bottom chord live load nonconcurrent with any other live loads.
  - 6) \* This truss has been designed for a live load of 20.0psf on the bottom chord in all areas where a rectangle 3-6-0 tall by 2-0-0 wide will fit between the bottom chord and any other members, with BCDL = 10.0psf.
  - 7) Provide mechanical connection (by others) of truss to bearing plate capable of withstanding 100 lb uplift at joint(s) except (jt=lb) H=180, B=182.
  - 8) This truss is designed in accordance with the 2018 International Building Code section 2306.1 and referenced standard ANSI/TPI 1.



September 12, 2024

Job	Truss	Truss Type	Qty	Ply	Buildings A-H	U1530873
N0653A	T2A	MONOPITCH	54	1		

Alliance Truss (CA), Abbotsford, BC - V2S 7P6,

8.820 s Aug 30 2024 MiTek Industries, Inc. Thu Sep 12 02:48:27 2024 Page 1

ID:hFyjDMxrTsEK\_kgkR0vWVzFlgc-1lvuJ?JQ2NTV3yyycKor9LWN1dJBxIje6RQQZAyeVqo



**PRMU20240285 - BLDG B**

Scale = 1:56.0

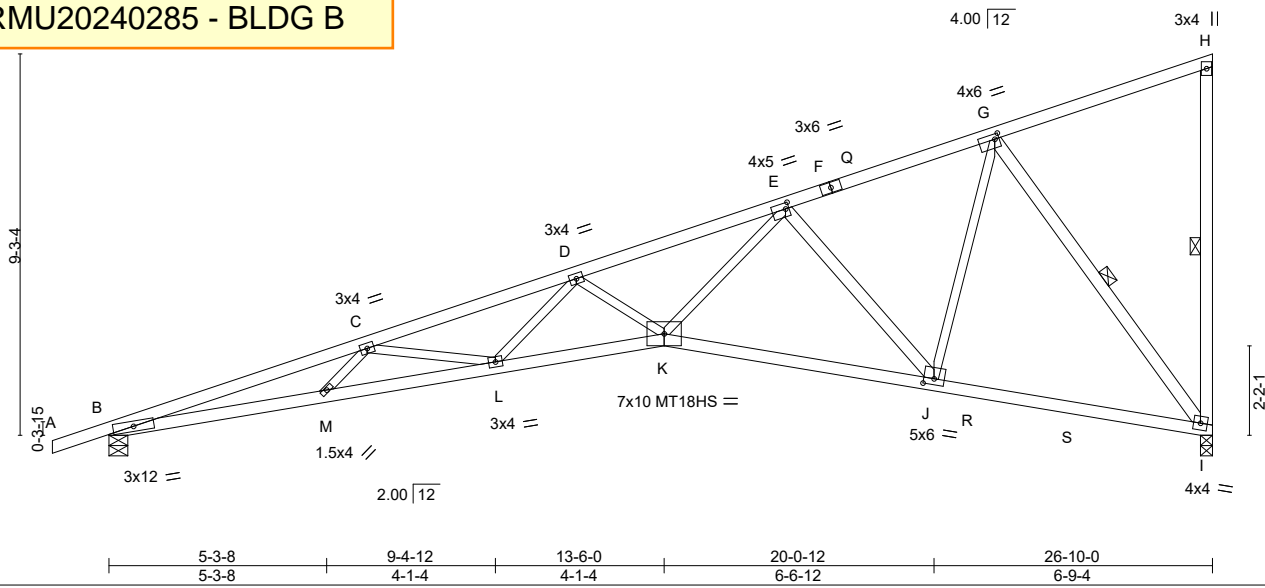


Plate Offsets (X,Y)-- [E:0-1-0,0-1-12], [G:0-1-4,0-1-8], [J:0-3-0,0-1-12]

LOADING (psf)	SPACING-	CSI.	DEFL.	PLATES	GRIP
TCLL 25.0 (Roof Snow=25.0)	2-0-0 Plate Grip DOL 1.15 Lumber DOL 1.15	TC 0.95 BC 0.86 WB 0.95 Matrix-MS	in (loc) l/defl L/d Vert(LL) -0.47 L-M >676 360 Vert(CT) -0.84 L-M >381 240 Horz(CT) 0.38 I n/a n/a Wind(LL) 0.26 L >999 240	MT20 MT18HS	197/144 197/144
TCDL 12.0	Rep Stress Incr YES Code IBC2018/TPI2014			Weight: 108 lb	FT = 20%
BCLL 0.0 *					
BCDL 10.0					

**LUMBER-**

TOP CHORD 2x4 SPF No.2  
 BOT CHORD 2x4 SPF No.2 \*Except\*  
 B-K: 2x4 SPF 2100F 1.8E  
 WEBS 2x3 SPF No.2 \*Except\*  
 H-I,E-J,G-I: 2x4 SPF No.2

**BRACING-**

TOP CHORD Structural wood sheathing directly applied, except end verticals.  
 BOT CHORD Rigid ceiling directly applied or 8-3-15 oc bracing.  
 WEBS 1 Row at midpt H-I, G-I

**REACTIONS.**

(size) I=0-3-8, B=0-5-8  
 Max Horz B=287(LC 6)  
 Max Uplift I=-203(LC 10), B=-157(LC 6)  
 Max Grav I=1527(LC 17), B=1420(LC 3)

**FORCES.** (lb) - Max. Comp./Max. Ten. - All forces 250 (lb) or less except when shown.

TOP CHORD B-C=-5834/640, C-D=-5172/569, D-E=-4129/458, E-G=-1440/103  
 BOT CHORD B-M=-847/5559, L-M=-895/5544, K-L=-705/4549, J-K=-364/2361, I-J=-148/1041  
 WEBS C-L=-639/168, D-L=-34/622, D-K=-790/170, E-K=-307/2345, E-J=-1608/290,  
 G-J=-116/1349, G-I=-1717/245

**NOTES-**

- 1) Wind: ASCE 7-16; Vult=115mph (3-second gust) Vasd=91mph; TCDL=4.2psf; BCDL=5.0psf; h=30ft; Ke=1.00; Cat. II; Exp B; Enclosed; MWFRS (envelope) gable end zone; cantilever left exposed ; end vertical left exposed; Lumber DOL=1.33 plate grip DOL=1.33
- 2) TCLL: ASCE 7-16; Pf=25.0 psf (Lum DOL = 1.15 Plate DOL = 1.15); Is=1.0; Rough Cat B; Partially Exp.; Ce=1.0; Cs=1.00; Ct=1.10
- 3) Unbalanced snow loads have been considered for this design.
- 4) This truss has been designed for greater of min roof live load of 20.0 psf or 2.00 times flat roof load of 25.0 psf on overhangs non-concurrent with other live loads.
- 5) All plates are MT20 plates unless otherwise indicated.
- 6) This truss has been designed for a 10.0 psf bottom chord live load nonconcurrent with any other live loads.
- 7) \* This truss has been designed for a live load of 20.0psf on the bottom chord in all areas where a rectangle 3-6-0 tall by 2-0-0 wide will fit between the bottom chord and any other members, with BCDL = 10.0psf.
- 8) Bearing at joint(s) I, B considers parallel to grain value using ANSI/TPI 1 angle to grain formula. Building designer should verify capacity of bearing surface.
- 9) Provide mechanical connection (by others) of truss to bearing plate capable of withstanding 100 lb uplift at joint(s) except (jt=lb) I=203, B=157.
- 10) This truss is designed in accordance with the 2018 International Building Code section 2306.1 and referenced standard ANSI/TPI 1.



September 12, 2024

**WARNING - Verify design parameters and READ NOTES ON THIS AND INCLUDED MITEK REFERENCE PAGE MII-7473 rev. 6/30/2020 BEFORE USE.**

Design valid for use only with MiTek® connectors. This design is based only upon parameters shown, and is for an individual building component, not a truss system. Before use, the building designer must verify the applicability of design parameters and properly incorporate this design into the overall building design. Bracing indicated is to prevent buckling of individual truss web and/or chord members only. Additional temporary and permanent bracing is always required for stability and to prevent collapse with possible personal injury and property damage. For general guidance regarding the fabrication, storage, delivery, erection and bracing of trusses and truss systems, see

**ANSI/TPI1 Quality Criteria, DSB-89 and BCSI Building Component Safety Information** available from Truss Plate Institute, 2670 Crain Highway, Suite 203 Waldorf, MD 20601



240 Stirling Crescent  
 Bradford, ON. L3Z 4L5



Job N0653A	Truss T3	Truss Type GABLE	Qty 9	Ply 1	Buildings A-H Job Reference (optional)	U1530874
---------------	-------------	---------------------	----------	----------	---	----------

Alliance Truss (CA), Abbotsford, BC - V2S 7P6, 8.820 s Aug 30 2024 MiTek Industries, Inc. Thu Sep 12 02:48:28 2024 Page 1

ID:hFyjDMxrTsEK\_kgkR0vWWVzFgC-VxTHXlK2phbMh6XpuWMOukENjcp1BunL5Az5cyeVqn



**PRMU20240285 - BLDG B**

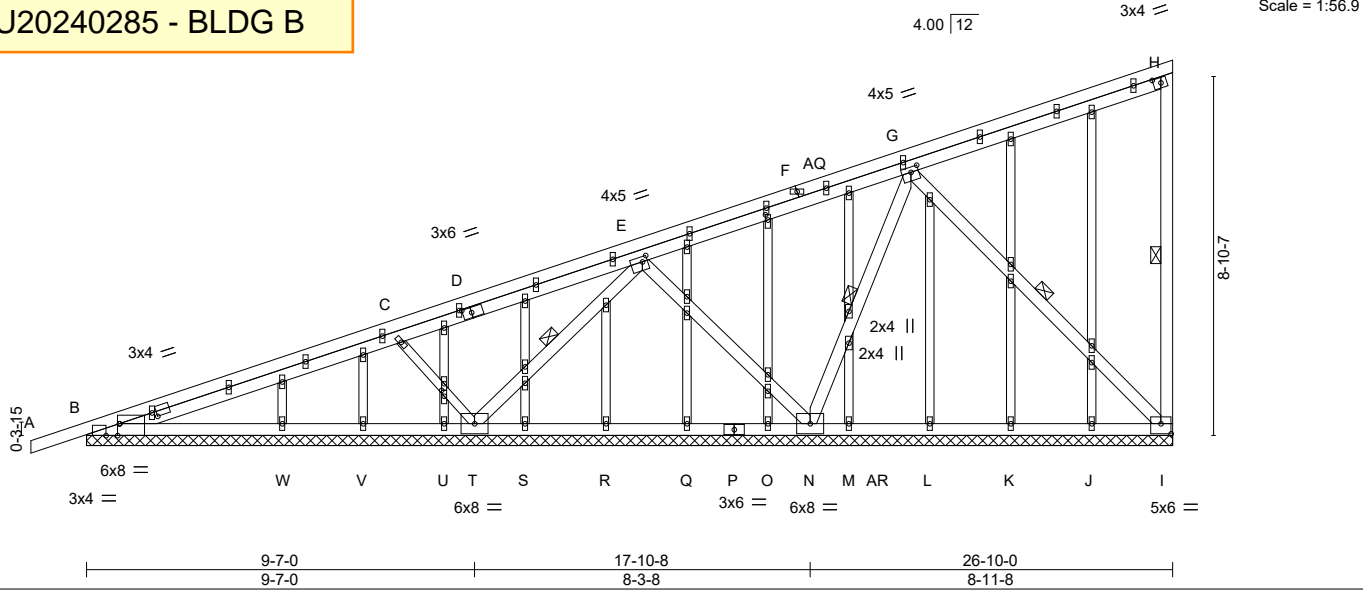


Plate Offsets (X,Y)--	[B:0-0-9,Edge], [B:0-11-7,0-1-8], [B:0-4-0,Edge], [D:0-2-10,0-1-8], [E:0-1-8,0-1-8], [G:0-2-4,0-1-8], [H:0-2-4,0-1-8], [I:0-3-0,0-3-0], [AF:0-1-9,0-0-12], [AM:0-1-12,0-0-12]
-----------------------	---

<b>LOADING</b> (psf)	<b>SPACING-</b>	<b>CSI.</b>	<b>DEFL.</b>	in (loc)	l/defl	L/d	<b>PLATES</b>	<b>GRIP</b>
TCLL 25.0 (Roof Snow=25.0)	2-0-0	TC 0.82	Vert(LL)	-0.01	A	n/r	MT20	197/144
TCDL 12.0	Plate Grip DOL 1.15	BC 0.56	Vert(CT)	0.04	A	n/r		
BCLL 0.0 *	Lumber DOL 1.15	WB 0.89	Horz(CT)	-0.03	K	n/a		
BCDL 10.0	Rep Stress Incr YES	Matrix-S					Weight: 176 lb	FT = 20%
	Code IBC2018/TPI2014							

<b>LUMBER-</b>	<b>BRACING-</b>
TOP CHORD 2x4 SPF No.2	TOP CHORD Structural wood sheathing directly applied or 3-8-5 oc purlins, except end verticals.
BOT CHORD 2x4 SPF No.2	BOT CHORD Rigid ceiling directly applied or 3-11-1 oc bracing.
WEBS 2x4 SPF No.2 *Except*	WEBS 1 Row at midpt H-I, E-T, G-N, G-I
C-T: 2x3 SPF No.2	
OTHERS 2x3 SPF No.2	

**REACTIONS.** All bearings 26-10-0.  
 (lb) - Max Horz B=291(LC 38)  
 Max Uplift All uplift 100 lb or less at joint(s) J, V except I=1199(LC 35), B=704(LC 32), T=2021(LC 40), N=900(LC 40)  
 Max Grav All reactions 250 lb or less at joint(s) J, K, L, M, O, Q, R, S, U, V, W except I=1231(LC 28), B=844(LC 29), T=2060(LC 53), N=1177(LC 29)

**FORCES.** (lb) - Max. Comp./Max. Ten. - All forces 250 (lb) or less except when shown.  
 TOP CHORD B-C=-2361/2145, C-E=-1374/1337, E-G=-1682/1537, G-H=-1756/1658, H-I=-302/52  
 BOT CHORD B-W=-2234/2014, V-W=-1074/970, U-V=-594/442, T-U=-352/288, S-T=-1564/1483, R-S=-1294/1213, Q-R=-814/733, O-Q=-367/286, N-O=-593/512, M-N=-1104/1049, L-M=-897/843, K-L=-417/389, J-K=-725/670, I-J=-1170/1115  
 WEBS C-T=-559/189, E-T=-2629/2583, E-N=-1389/1425, G-N=-1915/1874, G-I=-1577/1612

- NOTES-**
- 1) Wind: ASCE 7-16; Vult=115mph (3-second gust) Vasd=91mph; TCDL=4.2psf; BCDL=5.0psf; h=30ft; Ke=1.00; Cat. II; Exp B; Enclosed; MWFRS (envelope) gable end zone; cantilever left and right exposed; end vertical left and right exposed; Lumber DOL=1.33 plate grip DOL=1.33
  - 2) Truss designed for wind loads in the plane of the truss only. For studs exposed to wind (normal to the face), see Standard Industry Gable End Details as applicable, or consult qualified building designer as per ANSI/TPI 1.
  - 3) TCLL: ASCE 7-16; Pf=25.0 psf (Lum DOL = 1.15 Plate DOL = 1.15); Is=1.0; Rough Cat B; Partially Exp.; Ce=1.0; Cs=1.00; Ct=1.10
  - 4) Unbalanced snow loads have been considered for this design.
  - 5) This truss has been designed for greater of min roof live load of 20.0 psf or 2.00 times flat roof load of 25.0 psf on overhangs non-concurrent with other live loads.
  - 6) All plates are 1.5x4 MT20 unless otherwise indicated.
  - 7) Gable requires continuous bottom chord bearing.
  - 8) Gable studs spaced at 2-0-0 oc.
  - 9) This truss has been designed for a 10.0 psf bottom chord live load nonconcurrent with any other live loads.
  - 10) \* This truss has been designed for a live load of 20.0psf on the bottom chord in all areas where a rectangle 3-6-0 tall by 2-0-0 wide will fit between the bottom chord and any other members, with BCDL = 10.0psf.
  - 11) Provide mechanical connection (by others) of truss to bearing plate capable of withstanding 100 lb uplift at joint(s) J, V except (jt=lb) I=1199, B=704, T=2021, N=900.
  - 12) This truss is designed in accordance with the 2018 International Building Code section 2306.1 and referenced standard ANSI/TPI



September 12, 2024

Continued on page 2

**WARNING - Verify design parameters and READ NOTES ON THIS AND INCLUDED MITEK REFERENCE PAGE MII-7473 rev. 6/30/2020 BEFORE USE.**  
 Design valid for use only with MiTek® connectors. This design is based only upon parameters shown, and is for an individual building component, not a truss system. Before use, the building designer must verify the applicability of design parameters and properly incorporate this design into the overall building design. Bracing indicated is to prevent buckling of individual truss web and/or chord members only. Additional temporary and permanent bracing is always required for stability and to prevent collapse with possible personal injury and property damage. For general guidance regarding the fabrication, storage, delivery, erection and bracing of trusses and truss systems, see **ANSI/TPI1 Quality Criteria, DSB-89 and BCSI Building Component Safety Information** available from Truss Plate Institute, 2670 Crain Highway, Suite 203 Waldorf, MD 20601

240 Stirling Crescent  
Bradford, ON. L3Z 4L5

Job	Truss	Truss Type	Qty	Ply	Buildings A-H
N0653A	T3	GABLE	9	1	U1530874

Alliance Truss (CA), Abbotsford, BC - V2S 7P6,

8.820 s Aug 30 2024 MiTek Industries, Inc. Thu Sep 12 02:48:29 2024 Page 2  
 ID:hFyjDMxrTsEK\_kgkR0vWWVzF1gc-z71fkhLga?jDJG5?RDudQxTP77y2me8xZlvXd3yeVqm

**NOTES-**

- 13) This truss has been designed for a total drag load of 240 plf. Lumber DOL=(1.33) Plate grip DOL=(1.33) Connect truss to resist drag loads along bottom chord from 0-0-0 to 26-10-0 for 240.0 plf.
- 14) No notches allowed in chords and 10-10" from left end and 0 from right end or 12" along rake from scarf, whichever is larger. Minimum 1.5x4 tie plates required at 2-0-0 o.c. maximum between tie stacking chords. For edge-wise notching, provide at least one tie plate between each notch.

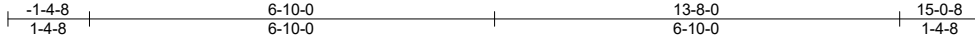
PRMU20240285 - BLDG B

**WARNING - Verify design parameters and READ NOTES ON THIS AND INCLUDED MITEK REFERENCE PAGE MII-7473 rev. 6/30/2020 BEFORE USE.**  
 Design valid for use only with MiTek® connectors. This design is based only upon parameters shown, and is for an individual building component, not a truss system. Before use, the building designer must verify the applicability of design parameters and properly incorporate this design into the overall building design. Bracing indicated is to prevent buckling of individual truss web and/or chord members only. Additional temporary and permanent bracing is always required for stability and to prevent collapse with possible personal injury and property damage. For general guidance regarding the fabrication, storage, delivery, erection and bracing of trusses and truss systems, see **ANSI/TPI1 Quality Criteria, DSB-89 and BCSI Building Component Safety Information** available from Truss Plate Institute, 2670 Crain Highway, Suite 203 Waldorf, MD 20601



Job	Truss	Truss Type	Qty	Ply	Buildings A-H	U1530803
N0653A	U1	GABLE	10	1		

Alliance Truss (CA), Abbotsford, BC - V2S 7P6, 8.630 s Jul 12 2024 MiTek Industries, Inc. Thu Sep 12 02:47:46 2024 Page 1  
 ID:hFyjDMxrTsEK\_kgkR0vWWVzFfgc-RfC?PsB70Hq3NSgPqnL8w3ulTXbGKWrCDoi7J4zJC?f



4x5 ||

Scale = 1:38.9

**PRMU20240285 - BLDG B**

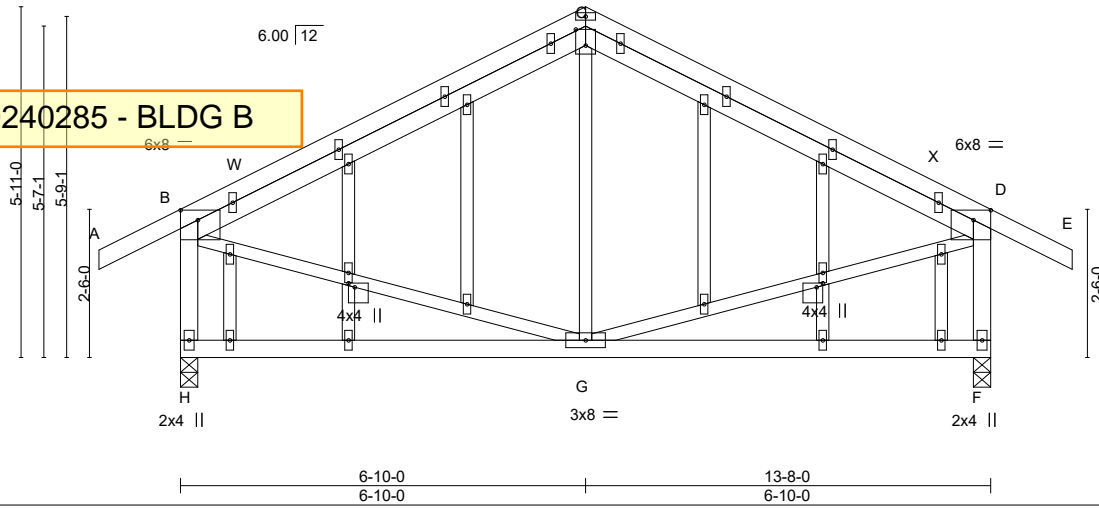


Plate Offsets (X,Y)-- [B:0-3-8,0-2-0], [C:0-3-4,0-2-0], [D:0-3-8,0-2-0], [K:0-0-13,0-1-4], [T:0-0-13,0-1-4]

LOADING (psf)	SPACING-	CSI.	DEFL.	PLATES	GRIP
TCLL 25.0 (Roof Snow=25.0)	2-0-0 Plate Grip DOL 1.15 Lumber DOL 1.15	TC 0.81 BC 0.33 WB 0.14 Matrix-MS	in (loc) l/defl L/d Vert(LL) -0.04 F-G >999 360 Vert(CT) -0.09 F-G >999 240 Horz(CT) 0.00 F n/a n/a Wind(LL) 0.00 G >999 240	MT20	197/144
TCDL 12.0	Rep Stress Incr YES			Weight: 86 lb	FT = 20%
BCLL 0.0 *	Code IBC2018/TPI2014				
BCDL 10.0					

**LUMBER-**

TOP CHORD 2x4 SPF No.2  
 BOT CHORD 2x4 SPF No.2  
 WEBS 2x3 SPF No.2 \*Except\*  
 B-H,D-F: 2x4 SPF No.2  
 OTHERS 2x3 SPF No.2

**BRACING-**

TOP CHORD Structural wood sheathing directly applied or 3-11-6 oc purlins, except end verticals.  
 BOT CHORD Rigid ceiling directly applied or 10-0-0 oc bracing.

**REACTIONS.**

(size) H=0-3-8, F=0-3-8  
 Max Horz H=-95(LC 8)  
 Max Uplift H=-77(LC 10), F=-77(LC 11)  
 Max Grav H=836(LC 17), F=836(LC 18)

**FORCES.** (lb) - Max. Comp./Max. Ten. - All forces 250 (lb) or less except when shown.

TOP CHORD B-C=-643/66, C-D=-643/66, B-H=-771/103, D-F=-771/103  
 WEBS B-G=0/413, D-G=0/413

**NOTES-**

- 1) Wind: ASCE 7-16; Vult=115mph (3-second gust) Vasd=91mph; TCDL=4.2psf; BCDL=5.0psf; h=30ft; Ke=1.00; Cat. II; Exp B; Enclosed; MWFRS (envelope) gable end zone; cantilever left and right exposed; end vertical left and right exposed; Lumber DOL=1.33 plate grip DOL=1.33
- 2) Truss designed for wind loads in the plane of the truss only. For studs exposed to wind (normal to the face), see Standard Industry Gable End Details as applicable, or consult qualified building designer as per ANSI/TPI 1.
- 3) TCLL: ASCE 7-16; Pf=25.0 psf (Lum DOL=1.15 Plate DOL=1.15); Is=1.0; Rough Cat B; Partially Exp.; Ce=1.0; Cs=1.00; Ct=1.10
- 4) Unbalanced snow loads have been considered for this design.
- 5) This truss has been designed for greater of min roof live load of 18.0 psf or 2.00 times flat roof load of 25.0 psf on overhangs non-concurrent with other live loads.
- 6) All plates are 1.5x4 MT20 unless otherwise indicated.
- 7) Gable studs spaced at 2-0-0 oc.
- 8) This truss has been designed for a 10.0 psf bottom chord live load nonconcurrent with any other live loads.
- 9) \* This truss has been designed for a live load of 20.0psf on the bottom chord in all areas where a rectangle 3-6-0 tall by 2-0-0 wide will fit between the bottom chord and any other members.
- 10) Provide mechanical connection (by others) of truss to bearing plate capable of withstanding 100 lb uplift at joint(s) H, F.
- 11) This truss is designed in accordance with the 2018 International Building Code section 2306.1 and referenced standard ANSI/TPI 1.
- 12) No notches allowed in overhang and 10408 from left end and 10408 from right end or 12" along rake from scarf, whichever is larger. Minimum 1.5x4 tie plates required at 2-0-0 o.c. maximum between the stacking chords. For edge-wise notching, provide at least one tie plate between each notch.



September 12, 2024

**WARNING - Verify design parameters and READ NOTES ON THIS AND INCLUDED MITEK REFERENCE PAGE MII-7473 rev. 6/30/2020 BEFORE USE.**  
 Design valid for use only with MiTek® connectors. This design is based only upon parameters shown, and is for an individual building component, not a truss system. Before use, the building designer must verify the applicability of design parameters and properly incorporate this design into the overall building design. Bracing indicated is to prevent buckling of individual truss web and/or chord members only. Additional temporary and permanent bracing is always required for stability and to prevent collapse with possible personal injury and property damage. For general guidance regarding the fabrication, storage, delivery, erection and bracing of trusses and truss systems, see **ANSI/TPI1 Quality Criteria, DSB-89 and BCSI Building Component Safety Information** available from Truss Plate Institute, 2670 Crain Highway, Suite 203 Waldorf, MD 20601



Job	Truss	Truss Type	Qty	Ply	Buildings A-H	U1530804
N0653A	U2	GABLE	10	1		

Alliance Truss (CA), Abbotsford, BC - V2S 7P6,

8.630 s Jul 12 2024 MiTek Industries, Inc. Thu Sep 12 02:47:47 2024 Page 1

ID:hFyjDMxrTsEK\_kgkR0vWWVzFfgc-RfC?PsB70Hq3NSgPqnL8w3ulTXbGKWrCDoi7J4zJC?f



**PRMU20240285 - BLDG B**

3x4

Scale = 1:52.2

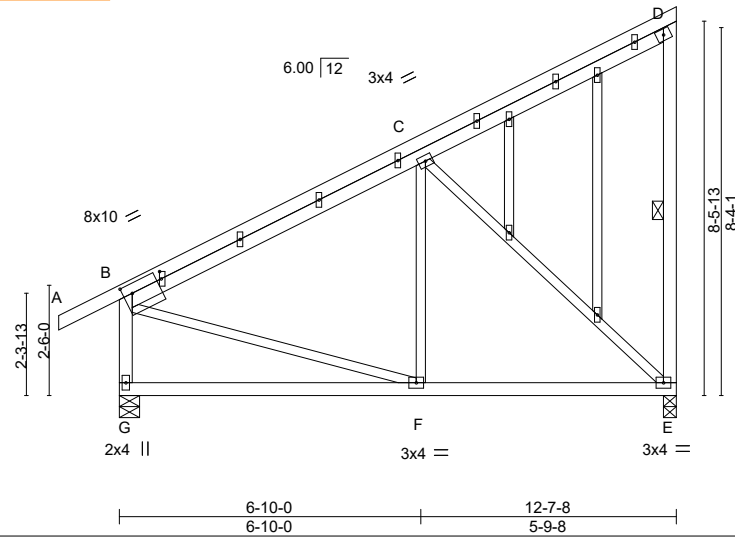


Plate Offsets (X,Y)-- [B:0-2-8,0-2-8], [B:0-2-0,0-0-7]

LOADING (psf)		SPACING-		CSI.		DEFL.				PLATES		GRIP	
TCLL	25.0	Plate Grip DOL	1.15	TC	0.63	Vert(LL)	-0.05	F-G	>999	360	MT20	197/144	
(Roof Snow=25.0)		Lumber DOL	1.15	BC	0.33	Vert(CT)	-0.10	F-G	>999	240			
TCDL	12.0	Rep Stress Incr	YES	WB	0.92	Horz(CT)	0.01	E	n/a	n/a			
BCLL	0.0 *	Code IBC2018/TPI2014		Matrix-MS		Wind(LL)	-0.02	E-F	>999	240			
BCDL	10.0										Weight: 82 lb	FT = 20%	

LUMBER-		BRACING-	
TOP CHORD	2x4 SPF No.2	TOP CHORD	Structural wood sheathing directly applied or 6-0-0 oc purlins, except end verticals.
BOT CHORD	2x4 SPF No.2	BOT CHORD	Rigid ceiling directly applied or 6-0-0 oc bracing.
WEBS	2x3 SPF No.2 *Except*	WEBS	1 Row at midpt D-E
	D-E,B-G: 2x4 SPF No.2		
OTHERS	2x3 SPF No.2		

**REACTIONS.** (size) G=0-5-8, E=0-3-8  
 Max Horz G=253(LC 9)  
 Max Uplift G=-65(LC 10), E=-107(LC 10)  
 Max Grav G=749(LC 17), E=739(LC 17)

**FORCES.** (lb) - Max. Comp./Max. Ten. - All forces 250 (lb) or less except when shown.  
 TOP CHORD B-C=-621/41, D-E=-262/51, B-G=-685/95  
 BOT CHORD E-F=-101/474  
 WEBS C-E=-631/138, B-F=0/431

- NOTES-**
- 1) Wind: ASCE 7-16; Vult=115mph (3-second gust) Vasd=91mph; TCDL=4.2psf; BCDL=5.0psf; h=30ft; Ke=1.00; Cat. II; Exp B; Enclosed; MWFRS (envelope) gable end zone; cantilever left and right exposed ; end vertical left and right exposed; Lumber DOL=1.33 plate grip DOL=1.33
  - 2) Truss designed for wind loads in the plane of the truss only. For studs exposed to wind (normal to the face), see Standard Industry Gable End Details as applicable, or consult qualified building designer as per ANSI/TPI 1.
  - 3) TCLL: ASCE 7-16; Pf=25.0 psf (Lum DOL=1.15 Plate DOL=1.15); Is=1.0; Rough Cat B; Partially Exp.; Ce=1.0; Cs=1.00; Ct=1.10
  - 4) Unbalanced snow loads have been considered for this design.
  - 5) This truss has been designed for greater of min roof live load of 18.0 psf or 2.00 times flat roof load of 25.0 psf on overhangs non-concurrent with other live loads.
  - 6) All plates are 1.5x4 MT20 unless otherwise indicated.
  - 7) Gable studs spaced at 2-0-0 oc.
  - 8) This truss has been designed for a 10.0 psf bottom chord live load nonconcurrent with any other live loads.
  - 9) \* This truss has been designed for a live load of 20.0psf on the bottom chord in all areas where a rectangle 3-6-0 tall by 2-0-0 wide will fit between the bottom chord and any other members.
  - 10) Provide mechanical connection (by others) of truss to bearing plate capable of withstanding 100 lb uplift at joint(s) G except (jt=lb) E=107.
  - 11) This truss is designed in accordance with the 2018 International Building Code section 2306.1 and referenced standard ANSI/TPI 1.
  - 12) No notches allowed in overhang and 10408 from left end and 0 from right end or 12" along rake from scarf, whichever is larger. Minimum 1.5x4 tie plates required at 2-0-0 o.c. maximum between the stacking chords. For edge-wise notching, provide at least one tie plate between each notch.



September 12, 2024

**WARNING - Verify design parameters and READ NOTES ON THIS AND INCLUDED MITEK REFERENCE PAGE MII-7473 rev. 6/30/2020 BEFORE USE.**  
 Design valid for use only with MiTek® connectors. This design is based only upon parameters shown, and is for an individual building component, not a truss system. Before use, the building designer must verify the applicability of design parameters and properly incorporate this design into the overall building design. Bracing indicated is to prevent buckling of individual truss web and/or chord members only. Additional temporary and permanent bracing is always required for stability and to prevent collapse with possible personal injury and property damage. For general guidance regarding the fabrication, storage, delivery, erection and bracing of trusses and truss systems, see **ANSI/TPI1 Quality Criteria, DSB-89 and BCSI Building Component Safety Information** available from Truss Plate Institute, 2670 Crain Highway, Suite 203 Waldorf, MD 20601



Job	Truss	Truss Type	Qty	Ply	Buildings A-H	U1530805
N0653A	U3	Monopitch	20	1		

Alliance Truss (CA), Abbotsford, BC - V2S 7P6,

8.630 s Jul 12 2024 MiTek Industries, Inc. Thu Sep 12 02:47:48 2024 Page 1

ID:hFyjDMxrTsEK\_kgkR0vWWVzFfgc-Rfc?PsB70Hq3NSgPqnL8w3ulTXbGKWrCDoi7J4zJC?f



Scale = 1:51.7

**PRMU20240285 - BLDG B**

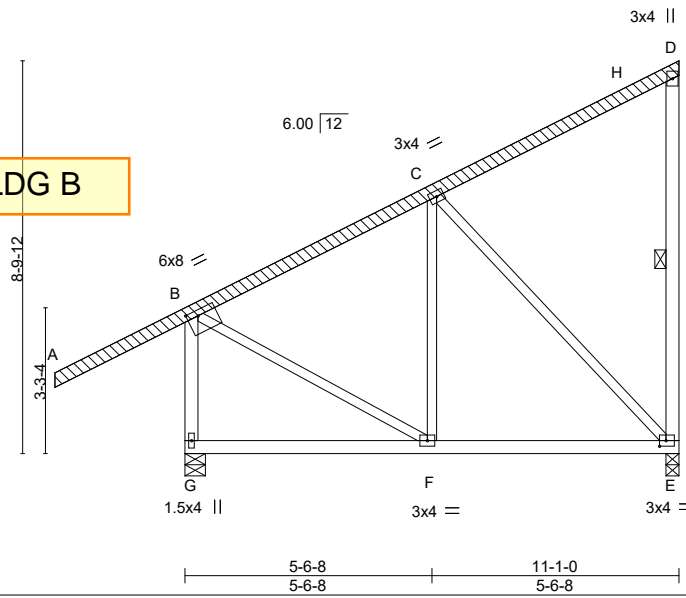


Plate Offsets (X,Y)-- [B:0-3-0,0-1-8], [E:0-1-12,0-1-8]

LOADING (psf)	SPACING-	CSI.	DEFL.	in (loc)	l/defl	L/d	PLATES	GRIP
TCLL 25.0 (Roof Snow=25.0)	2-0-0 Plate Grip DOL 1.15	TC 0.63	Vert(LL)	-0.02 E-F	>999	360	MT20	197/144
TCDL 12.0	Lumber DOL 1.15	BC 0.25	Vert(CT)	-0.04 E-F	>999	240		
BCLL 0.0 *	Rep Stress Incr YES	WB 0.67	Horz(CT)	-0.00 E	n/a	n/a		
BCDL 10.0	Code IBC2018/TPI2014	Matrix-MS	Wind(LL)	-0.02 E-F	>999	240	Weight: 77 lb	FT = 20%

LUMBER-	BRACING-
TOP CHORD 2x4 SPF No.2	TOP CHORD Structural wood sheathing directly applied or 6-0-0 oc purlins, except end verticals.
BOT CHORD 2x4 SPF No.2	BOT CHORD Rigid ceiling directly applied or 6-0-0 oc bracing.
WEBS 2x3 SPF No.2 *Except* D-E,B-G: 2x4 SPF No.2	WEBS 1 Row at midpt D-E
OTHERS 2x4 SPF No.2	
LBR SCAB A-D 2x4 SPF No.2 one side	

**REACTIONS.** (size) G=0-5-8, E=0-3-8  
 Max Horz G=274(LC 7)  
 Max Uplift G=-83(LC 10), E=-103(LC 7)  
 Max Grav G=817(LC 17), E=629(LC 17)

**FORCES.** (lb) - Max. Comp./Max. Ten. - All forces 250 (lb) or less except when shown.  
 TOP CHORD B-C=-439/35, D-E=-260/51, B-G=-772/107  
 BOT CHORD F-G=-256/88, E-F=-114/311  
 WEBS C-E=-443/116, B-F=0/379

- NOTES-**
- Attached 15-9-9 scab A to D, front face(s) 2x4 SPF No.2 with 1 row(s) of 10d (0.131"x3") nails spaced 9" o.c. except : starting at 2-5-1 from end at joint A, nail 1 row(s) at 4" o.c. for 2-0-0; starting at 8-5-8 from end at joint A, nail 1 row(s) at 7" o.c. for 2-0-0; starting at 13-5-14 from end at joint A, nail 1 row(s) at 7" o.c. for 2-0-0.
  - Wind: ASCE 7-16; Vult=115mph (3-second gust) Vasd=91mph; TCDL=4.2psf; BCDL=5.0psf; h=30ft; Ke=1.00; Cat. II; Exp B; Enclosed; MWFRS (envelope) gable end zone; cantilever left and right exposed ; end vertical left and right exposed; Lumber DOL=1.33 plate grip DOL=1.33
  - TCLL: ASCE 7-16; Pf=25.0 psf (Lum DOL=1.15 Plate DOL=1.15); Is=1.0; Rough Cat B; Partially Exp.; Ce=1.0; Cs=1.00; Ct=1.10
  - Unbalanced snow loads have been considered for this design.
  - This truss has been designed for greater of min roof live load of 18.0 psf or 2.00 times flat roof load of 25.0 psf on overhangs non-concurrent with other live loads.
  - This truss has been designed for a 10.0 psf bottom chord live load nonconcurrent with any other live loads.
  - \* This truss has been designed for a live load of 20.0psf on the bottom chord in all areas where a rectangle 3-6-0 tall by 2-0-0 wide will fit between the bottom chord and any other members.
  - Provide mechanical connection (by others) of truss to bearing plate capable of withstanding 100 lb uplift at joint(s) G except (jt=lb) E=103.
  - This truss is designed in accordance with the 2018 International Building Code section 2306.1 and referenced standard ANSI/TPI 1.



September 12, 2024

**WARNING - Verify design parameters and READ NOTES ON THIS AND INCLUDED MITEK REFERENCE PAGE MII-7473 rev. 6/30/2020 BEFORE USE.**

Design valid for use only with MiTek® connectors. This design is based only upon parameters shown, and is for an individual building component, not a truss system. Before use, the building designer must verify the applicability of design parameters and properly incorporate this design into the overall building design. Bracing indicated is to prevent buckling of individual truss web and/or chord members only. Additional temporary and permanent bracing is always required for stability and to prevent collapse with possible personal injury and property damage. For general guidance regarding the fabrication, storage, delivery, erection and bracing of trusses and truss systems, see **ANSI/TPI1 Quality Criteria, DSB-89 and BCSI Building Component Safety Information** available from Truss Plate Institute, 2670 Crain Highway, Suite 203 Waldorf, MD 20601

240 Stirling Crescent  
Bradford, ON. L3Z 4L5

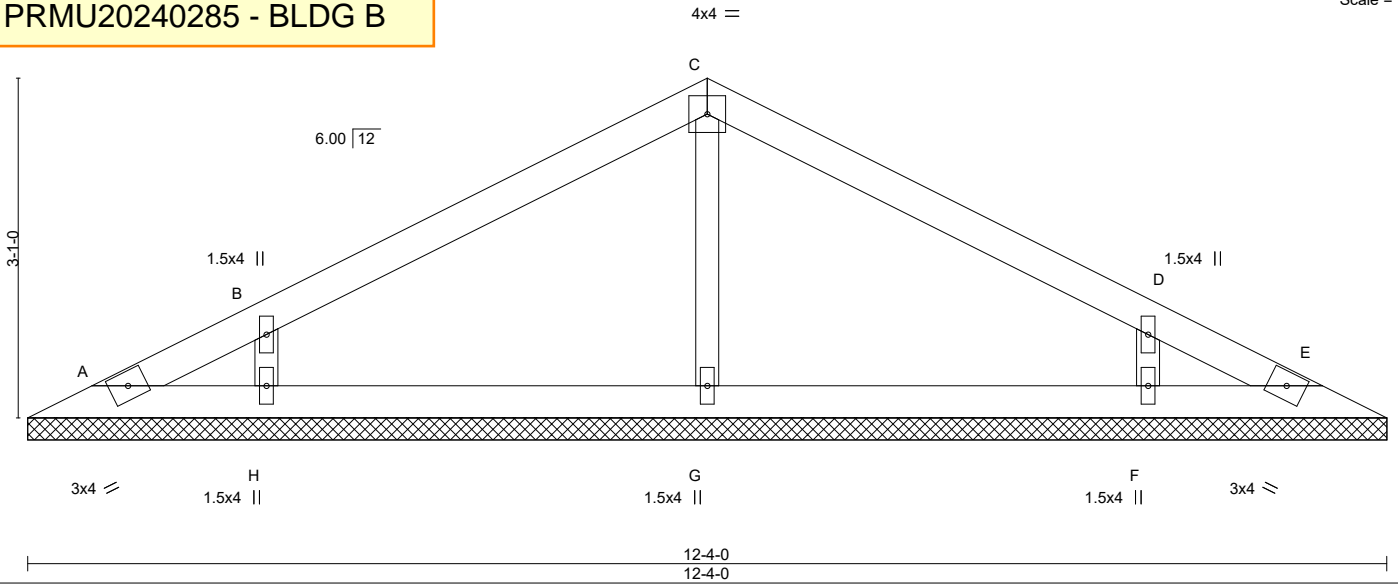
Job N0653A	Truss VG1	Truss Type GABLE	Qty 2	Ply 1	Buildings A-H Job Reference (optional)	U1530875
---------------	--------------	---------------------	----------	----------	---	----------

Alliance Truss (CA), Abbotsford, BC - V2S 7P6,

8.820 s Aug 30 2024 MiTek Industries, Inc. Thu Sep 12 02:48:29 2024 Page 1  
ID:hFyjDMxrTsEK\_kgkR0vWVvzFlgc-z71fkhLga?jDJG5?RDudQxTXZ739mqtxZlvXd3yeVqm

**PRMU20240285 - BLDG B**

Scale = 1:20.9



LOADING (psf)	SPACING-	2-0-0	CSI.	DEFL.	in (loc)	l/defl	L/d	PLATES	GRIP
TCLL 25.0	Plate Grip DOL	1.15	TC 0.28	Vert(LL)	n/a	-	n/a	MT20	197/144
(Roof Snow=25.0)	Lumber DOL	1.15	BC 0.10	Vert(CT)	n/a	-	n/a		
TCDL 12.0	Rep Stress Incr	YES	WB 0.08	Horz(CT)	0.00	E	n/a		
BCLL 0.0 *	Code IBC2018/TPI2014		Matrix-S					Weight: 31 lb	FT = 20%
BCDL 10.0									

**LUMBER-**

TOP CHORD 2x4 SPF No.2  
BOT CHORD 2x4 SPF No.2  
OTHERS 2x3 SPF No.2

**BRACING-**

TOP CHORD Structural wood sheathing directly applied or 6-0-0 oc purlins.  
BOT CHORD Rigid ceiling directly applied or 10-0-0 oc bracing.

**REACTIONS.**

All bearings 12-4-0.  
(lb) - Max Horz A=-36(LC 11)  
Max Uplift All uplift 100 lb or less at joint(s) A, H, F  
Max Grav All reactions 250 lb or less at joint(s) A, E except G=332(LC 16), H=495(LC 16), F=495(LC 17)

**FORCES.** (lb) - Max. Comp./Max. Ten. - All forces 250 (lb) or less except when shown.  
WEBS B-H=-438/114, D-F=-438/114

**NOTES-**

- Wind: ASCE 7-16; Vult=115mph (3-second gust) Vasd=91mph; TCDL=4.2psf; BCDL=5.0psf; h=30ft; Ke=1.00; Cat. II; Exp B; Enclosed; MWFRS (envelope) gable end zone; cantilever left and right exposed; end vertical left and right exposed; Lumber DOL=1.33 plate grip DOL=1.33
- TCLL: ASCE 7-16; Pf=25.0 psf (Lum DOL = 1.15 Plate DOL = 1.15); Is=1.0; Rough Cat B; Partially Exp.; Ce=1.0; Cs=1.00; Ct=1.10
- Unbalanced snow loads have been considered for this design.
- Gable requires continuous bottom chord bearing.
- This truss has been designed for a 10.0 psf bottom chord live load nonconcurrent with any other live loads.
- \* This truss has been designed for a live load of 20.0psf on the bottom chord in all areas where a rectangle 3-6-0 tall by 2-0-0 wide will fit between the bottom chord and any other members.
- Provide mechanical connection (by others) of truss to bearing plate capable of withstanding 100 lb uplift at joint(s) A, H, F.
- This truss is designed in accordance with the 2018 International Building Code section 2306.1 and referenced standard ANSI/TPI 1.



September 12, 2024

**WARNING - Verify design parameters and READ NOTES ON THIS AND INCLUDED MITEK REFERENCE PAGE MII-7473 rev. 6/30/2020 BEFORE USE.**

Design valid for use only with MiTek® connectors. This design is based only upon parameters shown, and is for an individual building component, not a truss system. Before use, the building designer must verify the applicability of design parameters and properly incorporate this design into the overall building design. Bracing indicated is to prevent buckling of individual truss web and/or chord members only. Additional temporary and permanent bracing is always required for stability and to prevent collapse with possible personal injury and property damage. For general guidance regarding the fabrication, storage, delivery, erection and bracing of trusses and truss systems, see

**Safety Information** available from Truss Plate Institute, 2670 Crain Highway, Suite 203 Waldorf, MD 20601  
ANSI/TPI1 Quality Criteria, DSB-89 and BCSI Building Component



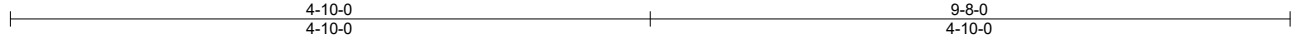
240 Stirling Crescent  
Bradford, ON. L3Z 4L5

Job	Truss	Truss Type	Qty	Ply	Buildings A-H	U1530876
N0653A	VG2	GABLE	2	1		

Alliance Truss (CA), Abbotsford, BC - V2S 7P6,

8.820 s Aug 30 2024 MiTek Industries, Inc. Thu Sep 12 02:48:30 2024 Page 1

ID:hFyjDMxrTsEK\_kgkR0vWWVzF1gc-RKb1x1MILr4wQgB?wPsz9?g2WM3VIK4oPf49VyeVql



**PRMU20240285 - BLDG B**

Scale = 1:17.4

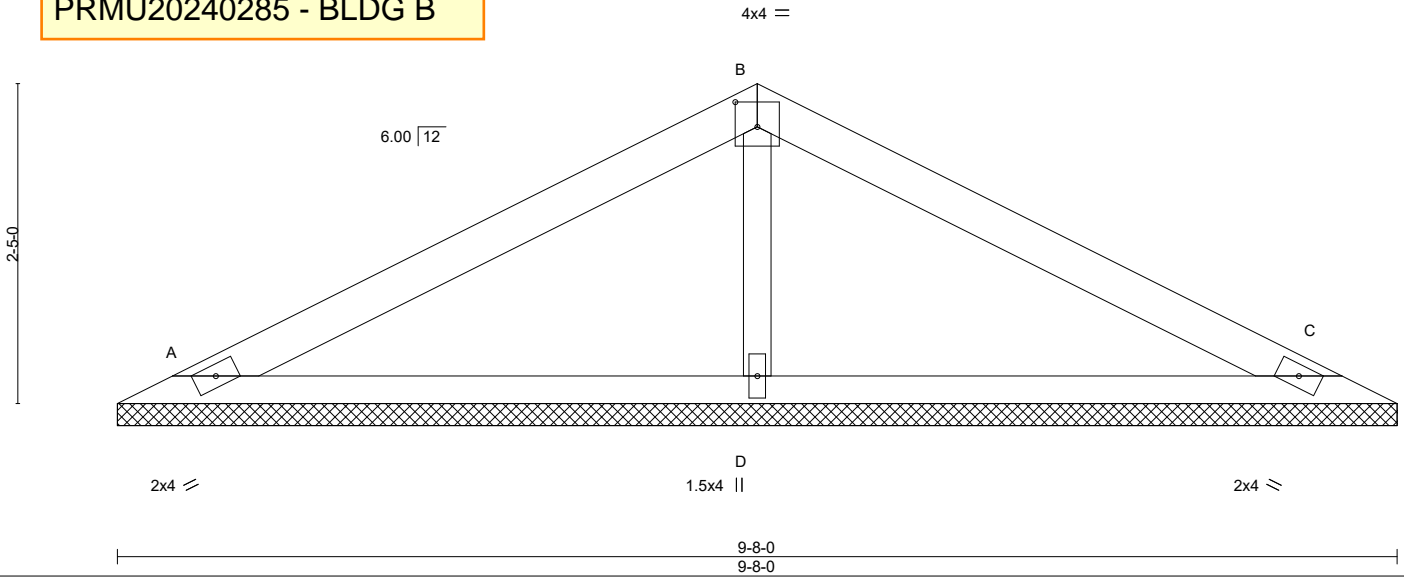


Plate Offsets (X,Y)-- [B:0-2-0,0-2-4]

LOADING (psf)	SPACING-	CSI.	DEFL.	in (loc)	l/defl	L/d	PLATES	GRIP
TCLL 25.0 (Roof Snow=25.0)	2-0-0 Plate Grip DOL 1.15 Lumber DOL 1.15	TC 0.43 BC 0.32 WB 0.00 Matrix-S	Vert(LL) Vert(CT) Horz(CT)	n/a n/a 0.01	- - C	n/a n/a n/a	999 999	MT20 197/144
TCDL 12.0	Rep Stress Incr YES Code IBC2018/TPI2014							
BCLL 0.0 *								
BCDL 10.0							Weight: 21 lb	FT = 20%

**LUMBER-**  
 TOP CHORD 2x4 SPF No.2  
 BOT CHORD 2x3 SPF No.2  
 OTHERS 2x3 SPF No.2

**BRACING-**  
 TOP CHORD Structural wood sheathing directly applied or 6-0-0 oc purlins.  
 BOT CHORD Rigid ceiling directly applied or 10-0-0 oc bracing.

**REACTIONS.** (size) A=9-8-0, C=9-8-0, D=9-8-0  
 Max Horz A=28(LC 14)  
 Max Uplift A=-56(LC 10), C=-56(LC 11)  
 Max Grav A=423(LC 16), C=423(LC 17), D=206(LC 5)

**FORCES.** (lb) - Max. Comp./Max. Ten. - All forces 250 (lb) or less except when shown.  
 TOP CHORD A-B=-474/94, B-C=-474/94  
 BOT CHORD A-D=-60/354, C-D=-60/354

**NOTES-**

- 1) Wind: ASCE 7-16; Vult=115mph (3-second gust) Vasd=91mph; TCDL=4.2psf; BCDL=5.0psf; h=30ft; Ke=1.00; Cat. II; Exp B; Enclosed; MWFRS (envelope) gable end zone; cantilever left and right exposed ; end vertical left and right exposed; Lumber DOL=1.33 plate grip DOL=1.33
- 2) TCLL: ASCE 7-16; Pf=25.0 psf (Lum DOL = 1.15 Plate DOL = 1.15); Is=1.0; Rough Cat B; Partially Exp.; Ce=1.0; Cs=1.00; Ct=1.10
- 3) Unbalanced snow loads have been considered for this design.
- 4) Gable requires continuous bottom chord bearing.
- 5) This truss has been designed for a 10.0 psf bottom chord live load nonconcurrent with any other live loads.
- 6) \* This truss has been designed for a live load of 20.0psf on the bottom chord in all areas where a rectangle 3-6-0 tall by 2-0-0 wide will fit between the bottom chord and any other members.
- 7) Provide mechanical connection (by others) of truss to bearing plate capable of withstanding 100 lb uplift at joint(s) A, C.
- 8) This truss is designed in accordance with the 2018 International Building Code section 2306.1 and referenced standard ANSI/TPI 1.



September 12, 2024

**WARNING - Verify design parameters and READ NOTES ON THIS AND INCLUDED MITEK REFERENCE PAGE MII-7473 rev. 6/30/2020 BEFORE USE.**

Design valid for use only with MiTek® connectors. This design is based only upon parameters shown, and is for an individual building component, not a truss system. Before use, the building designer must verify the applicability of design parameters and properly incorporate this design into the overall building design. Bracing indicated is to prevent buckling of individual truss web and/or chord members only. Additional temporary and permanent bracing is always required for stability and to prevent collapse with possible personal injury and property damage. For general guidance regarding the fabrication, storage, delivery, erection and bracing of trusses and truss systems, see

**ANSI/TPI1 Quality Criteria, DSB-89 and BCSI Building Component**

**Safety Information** available from Truss Plate Institute, 2670 Crain Highway, Suite 203 Waldorf, MD 20601

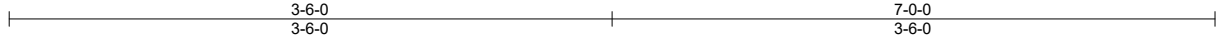


240 Stirling Crescent  
 Bradford, ON. L3Z 4L5

Job	Truss	Truss Type	Qty	Ply	Buildings A-H	U1530877
N0653A	VG3	Valley	2	1		

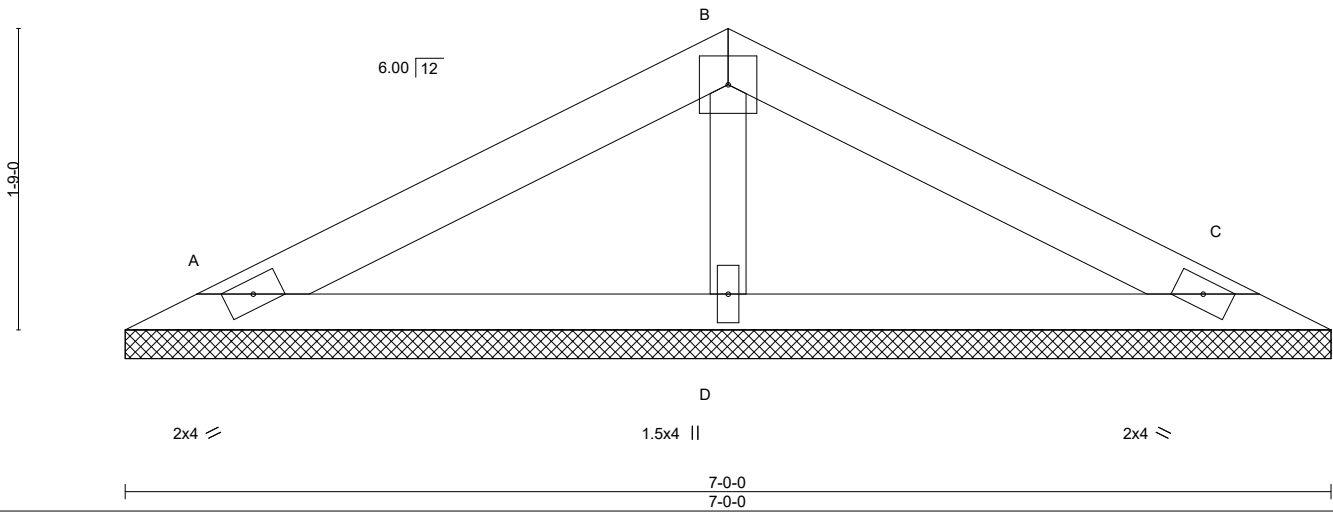
Alliance Truss (CA), Abbotsford, BC - V2S 7P6,

8.820 s Aug 30 2024 MiTek Industries, Inc. Thu Sep 12 02:48:30 2024 Page 1  
ID:hFyjDMxrTsEK\_kgkR0vWWVzFlgc-RKb1x1MLlr4wQgB?wPsz9?j6WOjVIn4oPf49VyeVql



PRMU20240285 - BLDG B

Scale = 1:13.4



LOADING (psf)	SPACING-	2-0-0	CSI.	DEFL.	in (loc)	l/defl	L/d	PLATES	GRIP	
TCLL 25.0	Plate Grip DOL	1.15	TC 0.23	Vert(LL)	n/a	-	n/a	999	MT20	197/144
(Roof Snow=25.0)	Lumber DOL	1.15	BC 0.15	Vert(CT)	n/a	-	n/a	999		
TCDL 12.0	Rep Stress Incr	YES	WB 0.04	Horz(CT)	0.00	C	n/a	n/a		
BCLL 0.0 *	Code IBC2018/TPI2014		Matrix-P							
BCDL 10.0									Weight: 15 lb	FT = 20%

**LUMBER-**

TOP CHORD 2x4 SPF No.2  
BOT CHORD 2x3 SPF No.2  
OTHERS 2x3 SPF No.2

**BRACING-**

TOP CHORD Structural wood sheathing directly applied or 6-0-0 oc purlins.  
BOT CHORD Rigid ceiling directly applied or 10-0-0 oc bracing.

**REACTIONS.**

(size) A=7-0-0, C=7-0-0, D=7-0-0  
Max Horz A=19(LC 10)  
Max Uplift A=-23(LC 10), C=-27(LC 11)  
Max Grav A=188(LC 16), C=188(LC 17), D=269(LC 1)

**FORCES.** (lb) - Max. Comp./Max. Ten. - All forces 250 (lb) or less except when shown.

**NOTES-**

- 1) Wind: ASCE 7-16; Vult=115mph (3-second gust) Vasd=91mph; TCDL=4.2psf; BCDL=5.0psf; h=30ft; Ke=1.00; Cat. II; Exp B; Enclosed; MWFRS (envelope) gable end zone; cantilever left and right exposed; end vertical left and right exposed; Lumber DOL=1.33 plate grip DOL=1.33
- 2) TCLL: ASCE 7-16; Pf=25.0 psf (Lum DOL = 1.15 Plate DOL = 1.15); Is=1.0; Rough Cat B; Partially Exp.; Ce=1.0; Cs=1.00; Ct=1.10
- 3) Unbalanced snow loads have been considered for this design.
- 4) Gable requires continuous bottom chord bearing.
- 5) This truss has been designed for a 10.0 psf bottom chord live load nonconcurrent with any other live loads.
- 6) \* This truss has been designed for a live load of 20.0psf on the bottom chord in all areas where a rectangle 3-6-0 tall by 2-0-0 wide will fit between the bottom chord and any other members.
- 7) Provide mechanical connection (by others) of truss to bearing plate capable of withstanding 100 lb uplift at joint(s) A, C.
- 8) This truss is designed in accordance with the 2018 International Building Code section 2306.1 and referenced standard ANSI/TPI 1.



September 12, 2024

**WARNING - Verify design parameters and READ NOTES ON THIS AND INCLUDED MITEK REFERENCE PAGE MII-7473 rev. 6/30/2020 BEFORE USE.**

Design valid for use only with MiTek® connectors. This design is based only upon parameters shown, and is for an individual building component, not a truss system. Before use, the building designer must verify the applicability of design parameters and properly incorporate this design into the overall building design. Bracing indicated is to prevent buckling of individual truss web and/or chord members only. Additional temporary and permanent bracing is always required for stability and to prevent collapse with possible personal injury and property damage. For general guidance regarding the fabrication, storage, delivery, erection and bracing of trusses and truss systems, see

**Safety Information** available from Truss Plate Institute, 2670 Crain Highway, Suite 203 Waldorf, MD 20601  
ANSI/TPI1 Quality Criteria, DSB-89 and BCSI Building Component



240 Stirling Crescent  
Bradford, ON. L3Z 4L5



Job	Truss	Truss Type	Qty	Ply	Buildings A-H	U1530878
N0653A	VG4	Valley	2	1		

Alliance Truss (CA), Abbotsford, BC - V2S 7P6,

8.820 s Aug 30 2024 MiTek Industries, Inc. Thu Sep 12 02:48:30 2024 Page 1

ID:hFyjDMxrTsEK\_kgkR0vWWVzFfgc-RKb1x1MILlr4wQgB?wPsz9?mpWNUVVIK4oPf49VyeVql

2-2-0  
2-2-0

4-4-0  
2-2-0

PRMU20240285 - BLDG B

Scale = 1:8.1

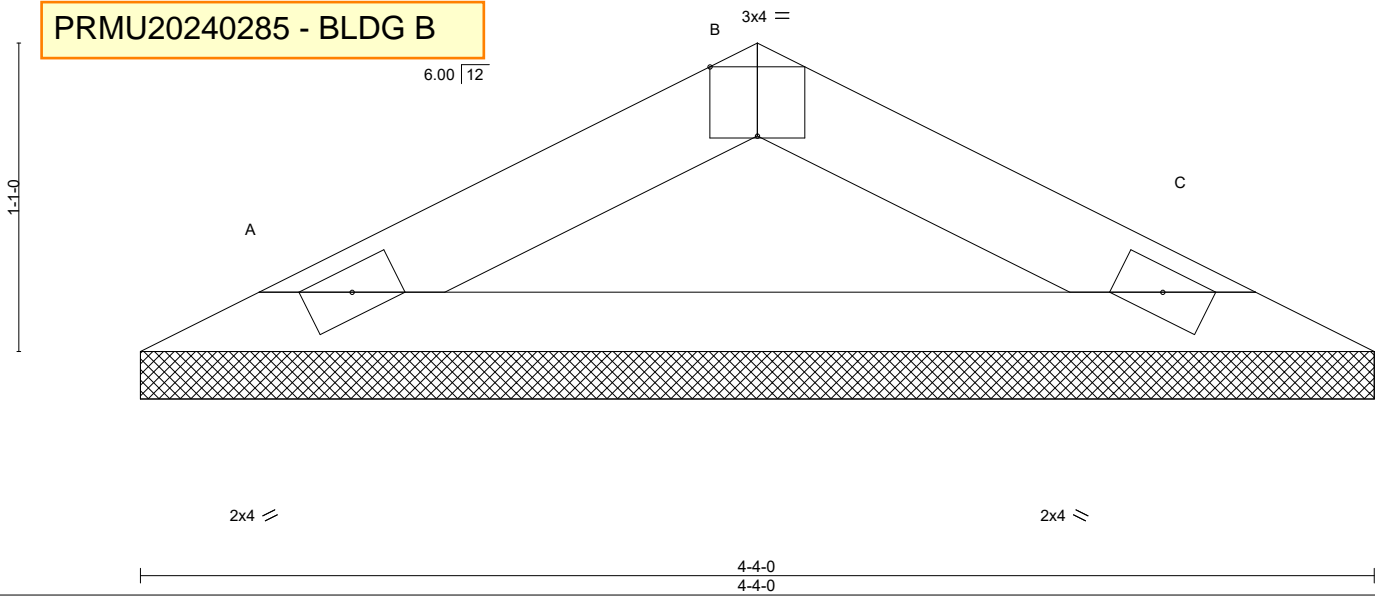


Plate Offsets (X,Y)-- [B:0-2-0,Edge]

LOADING (psf)	SPACING-	CSI.	DEFL.	in (loc)	l/defl	L/d	PLATES	GRIP
TCLL 25.0 (Roof Snow=25.0)	2-0-0 Plate Grip DOL 1.15	TC 0.06	Vert(LL)	n/a	-	n/a	MT20	197/144
TCDL 12.0	Lumber DOL 1.15	BC 0.23	Vert(CT)	n/a	-	n/a		
BCLL 0.0 *	Rep Stress Incr YES	WB 0.00	Horz(CT)	0.00	C	n/a		
BCDL 10.0	Code IBC2018/TPI2014	Matrix-P					Weight: 8 lb	FT = 20%

**LUMBER-**

TOP CHORD 2x4 SPF No.2  
BOT CHORD 2x3 SPF No.2

**BRACING-**

TOP CHORD Structural wood sheathing directly applied or 4-4-0 oc purlins.  
BOT CHORD Rigid ceiling directly applied or 10-0-0 oc bracing.

**REACTIONS.**

(size) A=4-4-0, C=4-4-0  
Max Horz A=11(LC 10)  
Max Uplift A=-13(LC 10), C=-13(LC 11)  
Max Grav A=166(LC 16), C=166(LC 17)

**FORCES.** (lb) - Max. Comp./Max. Ten. - All forces 250 (lb) or less except when shown.

**NOTES-**

- 1) Wind: ASCE 7-16; Vult=115mph (3-second gust) Vasd=91mph; TCDL=4.2psf; BCDL=5.0psf; h=30ft; Ke=1.00; Cat. II; Exp B; Enclosed; MWFRS (envelope) gable end zone; cantilever left and right exposed; end vertical left and right exposed; Lumber DOL=1.33 plate grip DOL=1.33
- 2) TCLL: ASCE 7-16; Pf=25.0 psf (Lum DOL = 1.15 Plate DOL = 1.15); Is=1.0; Rough Cat B; Partially Exp.; Ce=1.0; Cs=1.00; Ct=1.10
- 3) Unbalanced snow loads have been considered for this design.
- 4) Gable requires continuous bottom chord bearing.
- 5) This truss has been designed for a 10.0 psf bottom chord live load nonconcurrent with any other live loads.
- 6) \* This truss has been designed for a live load of 20.0psf on the bottom chord in all areas where a rectangle 3-6-0 tall by 2-0-0 wide will fit between the bottom chord and any other members.
- 7) Provide mechanical connection (by others) of truss to bearing plate capable of withstanding 100 lb uplift at joint(s) A, C.
- 8) This truss is designed in accordance with the 2018 International Building Code section 2306.1 and referenced standard ANSI/TPI 1.



September 12, 2024

**WARNING - Verify design parameters and READ NOTES ON THIS AND INCLUDED MITEK REFERENCE PAGE MII-7473 rev. 6/30/2020 BEFORE USE.**

Design valid for use only with MiTek® connectors. This design is based only upon parameters shown, and is for an individual building component, not a truss system. Before use, the building designer must verify the applicability of design parameters and properly incorporate this design into the overall building design. Bracing indicated is to prevent buckling of individual truss web and/or chord members only. Additional temporary and permanent bracing is always required for stability and to prevent collapse with possible personal injury and property damage. For general guidance regarding the fabrication, storage, delivery, erection and bracing of trusses and truss systems, see

**Safety Information** available from Truss Plate Institute, 2670 Crain Highway, Suite 203 Waldorf, MD 20601

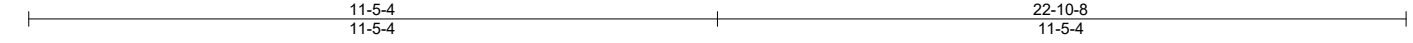


240 Stirling Crescent  
Bradford, ON. L3Z 4L5

Job N0653A	Truss VH1	Truss Type Valley	Qty 20	Ply 1	Buildings A-H Job Reference (optional)	U1530879
---------------	--------------	----------------------	-----------	----------	---	----------

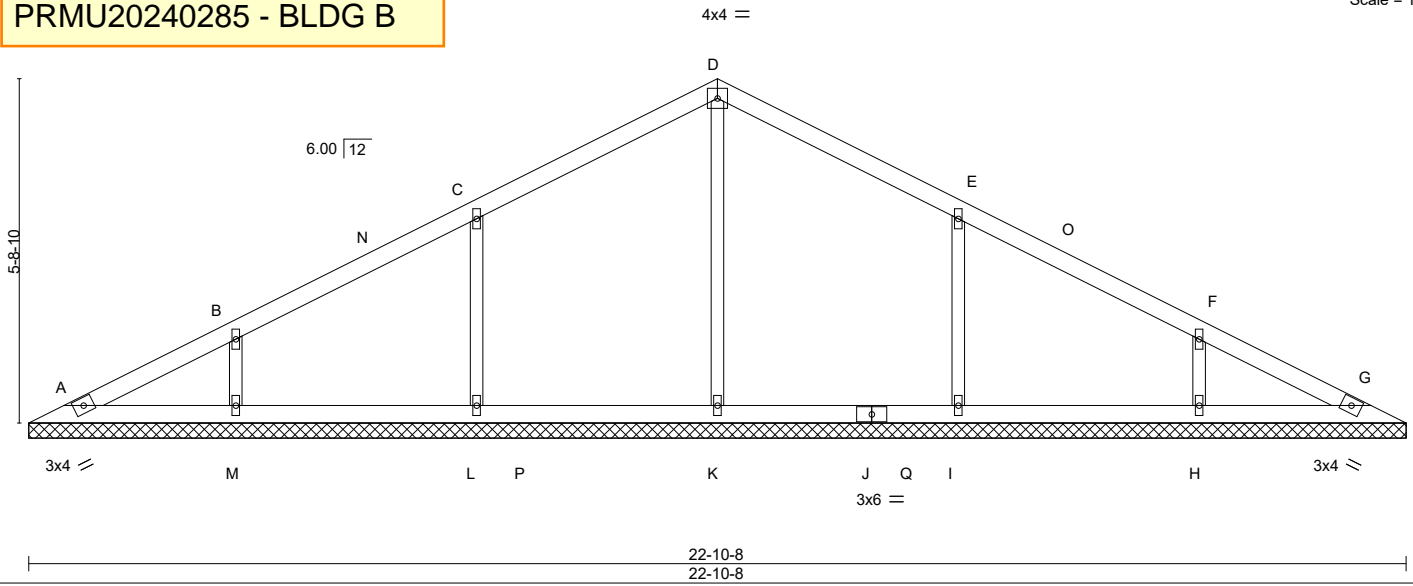
Alliance Truss (CA), Abbotsford, BC - V2S 7P6,

8.820 s Aug 30 2024 MiTek Industries, Inc. Thu Sep 12 02:48:31 2024 Page 1  
ID:hFyjDMxrTsEK\_kgkR0vWVWzFlgc-vW9P9NMw6czYaFOZew5VMYtmw0EjuD13OdiyevQk



**PRMU20240285 - BLDG B**

Scale = 1:38.3



<b>LOADING</b> (psf) TCLL 25.0 (Roof Snow=25.0) TCDL 12.0 BCLL 0.0 * BCDL 10.0	<b>SPACING-</b> 2-0-0 Plate Grip DOL 1.15 Lumber DOL 1.15 Rep Stress Incr YES Code IBC2018/TPI2014	<b>CSI.</b> TC 0.30 BC 0.14 WB 0.17 Matrix-S	<b>DEFL.</b> in (loc) l/defl L/d Vert(LL) n/a - n/a 999 Vert(CT) n/a - n/a 999 Horz(CT) 0.00 G n/a n/a	<b>PLATES</b> MT20 Weight: 65 lb	<b>GRIP</b> 197/144 FT = 20%
---	---	--	--	--	------------------------------------

<b>LUMBER-</b> TOP CHORD 2x4 SPF No.2 BOT CHORD 2x4 SPF No.2 OTHERS 2x3 SPF No.2	<b>BRACING-</b> TOP CHORD Structural wood sheathing directly applied or 6-0-0 oc purlins. BOT CHORD Rigid ceiling directly applied or 10-0-0 oc bracing.
---	--

**REACTIONS.** All bearings 22-10-8.  
(lb) - Max Horz A=-71(LC 11)  
Max Uplift All uplift 100 lb or less at joint(s) A, L, M, I, H  
Max Grav All reactions 250 lb or less at joint(s) A, G except K=403(LC 3), L=551(LC 16), M=357(LC 2), I=551(LC 17), H=357(LC 2)

**FORCES.** (lb) - Max. Comp./Max. Ten. - All forces 250 (lb) or less except when shown.  
WEBS C-L=-470/129, B-M=-271/106, E-I=-470/129, F-H=-271/106

- NOTES-**
- 1) Wind: ASCE 7-16; Vult=115mph (3-second gust) Vasd=91mph; TCDL=4.2psf; BCDL=5.0psf; h=30ft; Ke=1.00; Cat. II; Exp B; Enclosed; MWFRS (envelope) gable end zone; cantilever left and right exposed; end vertical left and right exposed; Lumber DOL=1.33 plate grip DOL=1.33
  - 2) TCLL: ASCE 7-16; Pf=25.0 psf (Lum DOL = 1.15 Plate DOL = 1.15); Is=1.0; Rough Cat B; Partially Exp.; Ce=1.0; Cs=1.00; Ct=1.10
  - 3) Unbalanced snow loads have been considered for this design.
  - 4) All plates are 1.5x4 MT20 unless otherwise indicated.
  - 5) Gable requires continuous bottom chord bearing.
  - 6) This truss has been designed for a 10.0 psf bottom chord live load nonconcurrent with any other live loads.
  - 7) \* This truss has been designed for a live load of 20.0psf on the bottom chord in all areas where a rectangle 3-6-0 tall by 2-0-0 wide will fit between the bottom chord and any other members, with BCDL = 10.0psf.
  - 8) Provide mechanical connection (by others) of truss to bearing plate capable of withstanding 100 lb uplift at joint(s) A, L, M, I, H.
  - 9) This truss is designed in accordance with the 2018 International Building Code section 2306.1 and referenced standard ANSI/TPI 1.



September 12, 2024

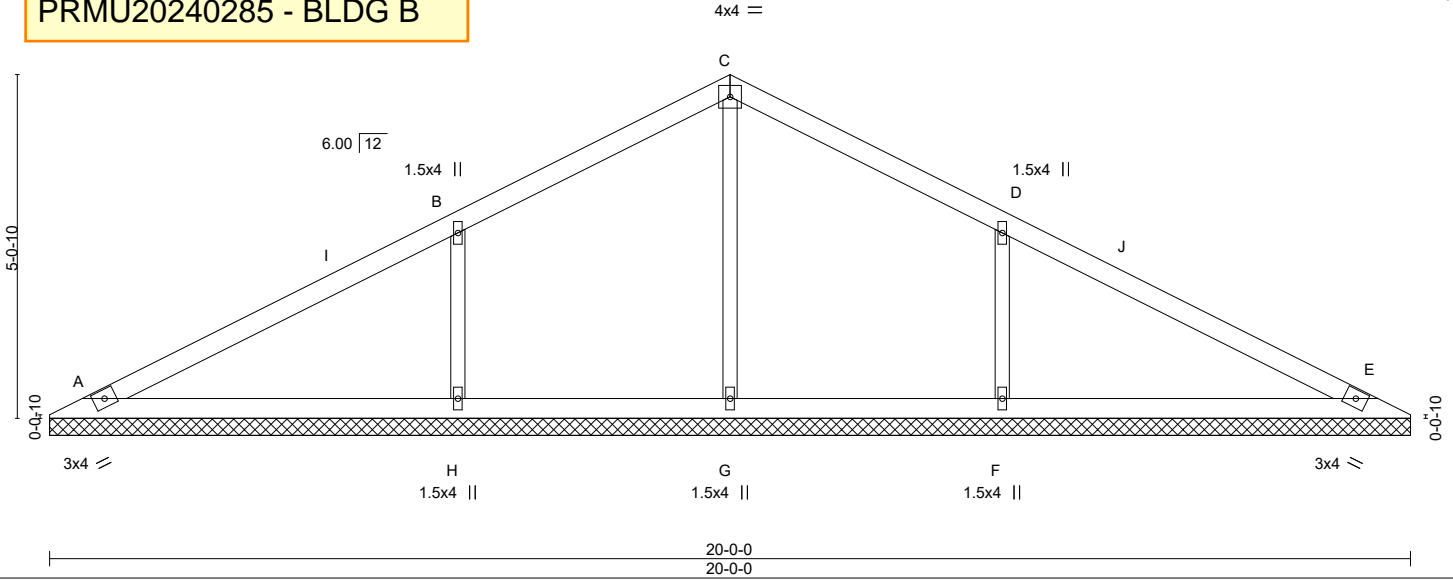
Job N0653A	Truss VH2	Truss Type Valley	Qty 20	Ply 1	Buildings A-H Job Reference (optional)	U1530880
---------------	--------------	----------------------	-----------	----------	---	----------

Alliance Truss (CA), Abbotsford, BC - V2S 7P6,

8.820 s Aug 30 2024 MiTek Industries, Inc. Thu Sep 12 02:48:32 2024 Page 1  
ID:hFyjDMxrTsEK\_kgkR0vWWVzFlgc-NijnMjNYtw5oAkqa7LRK2a5?zK2GzAiNGj8BENyeVqj

**PRMU20240285 - BLDG B**

Scale = 1:33.9



LOADING (psf)	SPACING-	CSI.	DEFL.	PLATES	GRIP
TCLL 25.0 (Roof Snow=25.0)	2-0-0 Plate Grip DOL 1.15 Lumber DOL 1.15	TC 0.46 BC 0.21 WB 0.14 Matrix-S	in (loc) l/defl L/d Vert(LL) n/a - n/a 999 Vert(CT) n/a - n/a 999 Horz(CT) 0.00 E n/a n/a	MT20	197/144
TCDL 12.0 BCLL 0.0 * BCDL 10.0	Rep Stress Incr YES Code IBC2018/TPI2014			Weight: 55 lb	FT = 20%

LUMBER-	BRACING-
TOP CHORD 2x4 SPF No.2 BOT CHORD 2x4 SPF No.2 OTHERS 2x3 SPF No.2	TOP CHORD Structural wood sheathing directly applied or 6-0-0 oc purlins. BOT CHORD Rigid ceiling directly applied or 10-0-0 oc bracing.

**REACTIONS.** All bearings 20-0-0.  
(lb) - Max Horz A=62(LC 14)  
Max Uplift All uplift 100 lb or less at joint(s) A, E except H=-117(LC 10), F=-117(LC 11)  
Max Grav All reactions 250 lb or less at joint(s) A, E, G except H=704(LC 16), F=704(LC 17)


**FORCES.** (lb) - Max. Comp./Max. Ten. - All forces 250 (lb) or less except when shown.  
WEBS B-H=-572/165, D-F=-573/165

- NOTES-**
- 1) Wind: ASCE 7-16; Vult=115mph (3-second gust) Vasd=91mph; TCDL=4.2psf; BCDL=5.0psf; h=30ft; Ke=1.00; Cat. II; Exp B; Enclosed; MWFRS (envelope) gable end zone; cantilever left and right exposed; end vertical left and right exposed; Lumber DOL=1.33 plate grip DOL=1.33
  - 2) TCLL: ASCE 7-16; Pf=25.0 psf (Lum DOL = 1.15 Plate DOL = 1.15); Is=1.0; Rough Cat B; Partially Exp.; Ce=1.0; Cs=1.00; Ct=1.10
  - 3) Unbalanced snow loads have been considered for this design.
  - 4) Gable requires continuous bottom chord bearing.
  - 5) This truss has been designed for a 10.0 psf bottom chord live load nonconcurrent with any other live loads.
  - 6) \* This truss has been designed for a live load of 20.0psf on the bottom chord in all areas where a rectangle 3-6-0 tall by 2-0-0 wide will fit between the bottom chord and any other members.
  - 7) Provide mechanical connection (by others) of truss to bearing plate capable of withstanding 100 lb uplift at joint(s) A, E except (jt=lb) H=117, F=117.
  - 8) This truss is designed in accordance with the 2018 International Building Code section 2306.1 and referenced standard ANSI/TPI 1.



September 12, 2024

**WARNING - Verify design parameters and READ NOTES ON THIS AND INCLUDED MITEK REFERENCE PAGE MII-7473 rev. 6/30/2020 BEFORE USE.**  
Design valid for use only with MiTek® connectors. This design is based only upon parameters shown, and is for an individual building component, not a truss system. Before use, the building designer must verify the applicability of design parameters and properly incorporate this design into the overall building design. Bracing indicated is to prevent buckling of individual truss web and/or chord members only. Additional temporary and permanent bracing is always required for stability and to prevent collapse with possible personal injury and property damage. For general guidance regarding the fabrication, storage, delivery, erection and bracing of trusses and truss systems, see **ANSI/TPI1 Quality Criteria, DSB-89 and BCSI Building Component Safety Information** available from Truss Plate Institute, 2670 Crain Highway, Suite 203 Waldorf, MD 20601



240 Stirling Crescent  
Bradford, ON. L3Z 4L5

Job N0653A	Truss VH3	Truss Type Valley	Qty 20	Ply 1	Buildings A-H Job Reference (optional)	U1530881
---------------	--------------	----------------------	-----------	----------	---	----------

Alliance Truss (CA), Abbotsford, BC - V2S 7P6,

8.820 s Aug 30 2024 MiTek Industries, Inc. Thu Sep 12 02:48:32 2024 Page 1

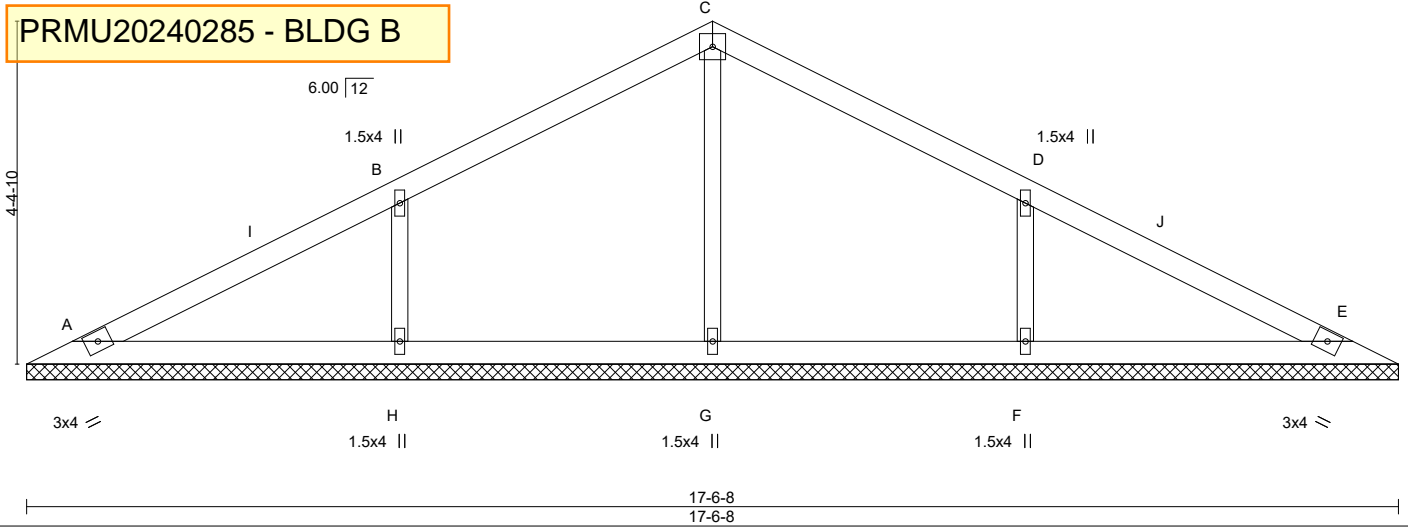
ID:hFyjDMxrTsEK\_kgkR0vWwVzFlgc-NijnMjNYtw5oAkqa7LRK2a51sK4bzBGNGj8BENyeVqj

17-6-8

8-9-4

Scale = 1:29.5

**PRMU20240285 - BLDG B**



LOADING (psf)	SPACING-	CSI.	DEFL.	PLATES	GRIP
TCLL 25.0	2-0-0	TC 0.34	in (loc) l/defl L/d	MT20	197/144
(Roof Snow=25.0)	Plate Grip DOL 1.15	BC 0.12	Vert(LL) n/a - n/a 999		
TCDL 12.0	Lumber DOL 1.15	WB 0.10	Vert(CT) n/a - n/a 999		
BCLL 0.0 *	Rep Stress Incr YES	Matrix-S	Horz(CT) 0.00 E n/a n/a		
BCDL 10.0	Code IBC2018/TPI2014			Weight: 47 lb	FT = 20%

LUMBER-	BRACING-
TOP CHORD 2x4 SPF No.2	TOP CHORD Structural wood sheathing directly applied or 6-0-0 oc purlins.
BOT CHORD 2x4 SPF No.2	BOT CHORD Rigid ceiling directly applied or 10-0-0 oc bracing.
OTHERS 2x3 SPF No.2	

**REACTIONS.** All bearings 17-6-8.  
 (lb) - Max Horz A=53(LC 10)  
 Max Uplift All uplift 100 lb or less at joint(s) A, E, H, F  
 Max Grav All reactions 250 lb or less at joint(s) A, E except G=298(LC 16), H=604(LC 16), F=604(LC 17)

**FORCES.** (lb) - Max. Comp./Max. Ten. - All forces 250 (lb) or less except when shown.  
 WEBS B-H=-502/139, D-F=-502/139

- NOTES-**
- 1) Wind: ASCE 7-16; Vult=115mph (3-second gust) Vasd=91mph; TCDL=4.2psf; BCDL=5.0psf; h=30ft; Ke=1.00; Cat. II; Exp B; Enclosed; MWFRS (envelope) gable end zone; cantilever left and right exposed; end vertical left and right exposed; Lumber DOL=1.33 plate grip DOL=1.33
  - 2) TCLL: ASCE 7-16; Pf=25.0 psf (Lum DOL = 1.15 Plate DOL = 1.15); Is=1.0; Rough Cat B; Partially Exp.; Ce=1.0; Cs=1.00; Ct=1.10
  - 3) Unbalanced snow loads have been considered for this design.
  - 4) Gable requires continuous bottom chord bearing.
  - 5) This truss has been designed for a 10.0 psf bottom chord live load nonconcurrent with any other live loads.
  - 6) \* This truss has been designed for a live load of 20.0psf on the bottom chord in all areas where a rectangle 3-6-0 tall by 2-0-0 wide will fit between the bottom chord and any other members.
  - 7) Provide mechanical connection (by others) of truss to bearing plate capable of withstanding 100 lb uplift at joint(s) A, E, H, F.
  - 8) This truss is designed in accordance with the 2018 International Building Code section 2306.1 and referenced standard ANSI/TPI 1.



September 12, 2024

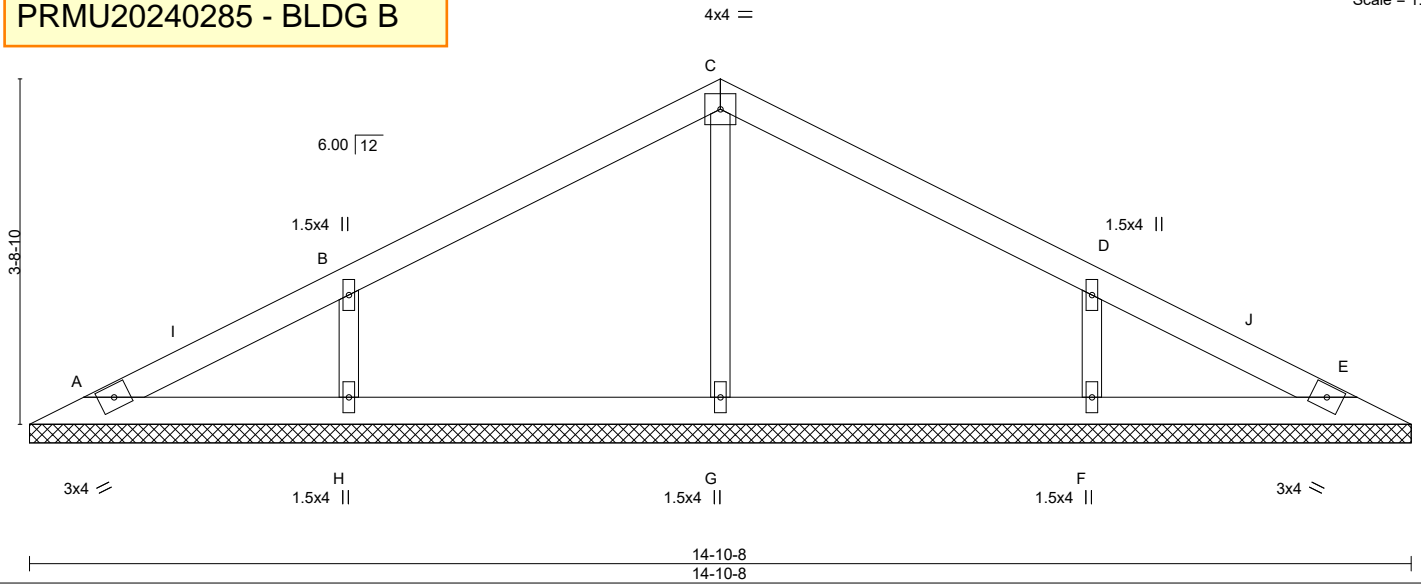
Job N0653A	Truss VH4	Truss Type Valley	Qty 20	Ply 1	Buildings A-H Job Reference (optional)	U1530882
---------------	--------------	----------------------	-----------	----------	---	----------

Alliance Truss (CA), Abbotsford, BC - V2S 7P6,

8.820 s Aug 30 2024 MiTek Industries, Inc. Thu Sep 12 02:48:33 2024 Page 1  
 ID:hFyjDMxrTsEK\_kgkR0vWWVzFgC-rvHAa3OAeDDfntPmg3yZbndDekQBieoWUNtkmqyeVqi  
 14-10-8  
 7-5-4

**PRMU20240285 - BLDG B**

Scale = 1:24.8



<b>LOADING</b> (psf)	<b>SPACING-</b>	<b>CSI.</b>	<b>DEFL.</b>	<b>PLATES</b>	<b>GRIP</b>
TCLL 25.0 (Roof Snow=25.0)	2-0-0 Plate Grip DOL 1.15 Lumber DOL 1.15 Rep Stress Incr YES Code IBC2018/TPI2014	TC 0.28 BC 0.10 WB 0.08 Matrix-S	in (loc) l/defl L/d Vert(LL) n/a - n/a 999 Vert(CT) n/a - n/a 999 Horz(CT) 0.00 E n/a n/a	MT20	197/144
TCDL 12.0 BCLL 0.0 * BCDL 10.0				Weight: 39 lb	FT = 20%

**LUMBER-**

TOP CHORD 2x4 SPF No.2  
 BOT CHORD 2x4 SPF No.2  
 OTHERS 2x3 SPF No.2

**BRACING-**

TOP CHORD Structural wood sheathing directly applied or 6-0-0 oc purlins.  
 BOT CHORD Rigid ceiling directly applied or 10-0-0 oc bracing.

**REACTIONS.**

All bearings 14-10-8.  
 (lb) - Max Horz A=-45(LC 11)  
 Max Uplift All uplift 100 lb or less at joint(s) A, H, F  
 Max Grav All reactions 250 lb or less at joint(s) A, E except G=326(LC 16), H=526(LC 16), F=526(LC 17)

**FORCES.** (lb) - Max. Comp./Max. Ten. - All forces 250 (lb) or less except when shown.

WEBS B-H=-449/119, D-F=-449/119

**NOTES-**

- Wind: ASCE 7-16; Vult=115mph (3-second gust) Vasd=91mph; TCDL=4.2psf; BCDL=5.0psf; h=30ft; Ke=1.00; Cat. II; Exp B; Enclosed; MWFRS (envelope) gable end zone; cantilever left and right exposed; end vertical left and right exposed; Lumber DOL=1.33 plate grip DOL=1.33
- TCLL: ASCE 7-16; Pf=25.0 psf (Lum DOL = 1.15 Plate DOL = 1.15); Is=1.0; Rough Cat B; Partially Exp.; Ce=1.0; Cs=1.00; Ct=1.10
- Unbalanced snow loads have been considered for this design.
- Gable requires continuous bottom chord bearing.
- This truss has been designed for a 10.0 psf bottom chord live load nonconcurrent with any other live loads.
- \* This truss has been designed for a live load of 20.0psf on the bottom chord in all areas where a rectangle 3-6-0 tall by 2-0-0 wide will fit between the bottom chord and any other members.
- Provide mechanical connection (by others) of truss to bearing plate capable of withstanding 100 lb uplift at joint(s) A, H, F.
- This truss is designed in accordance with the 2018 International Building Code section 2306.1 and referenced standard ANSI/TPI 1.



September 12, 2024

**WARNING - Verify design parameters and READ NOTES ON THIS AND INCLUDED MITEK REFERENCE PAGE MII-7473 rev. 6/30/2020 BEFORE USE.**

Design valid for use only with MiTek® connectors. This design is based only upon parameters shown, and is for an individual building component, not a truss system. Before use, the building designer must verify the applicability of design parameters and properly incorporate this design into the overall building design. Bracing indicated is to prevent buckling of individual truss web and/or chord members only. Additional temporary and permanent bracing is always required for stability and to prevent collapse with possible personal injury and property damage. For general guidance regarding the fabrication, storage, delivery, erection and bracing of trusses and truss systems, see

**ANSI/TPI1 Quality Criteria, DSB-89 and BCSI Building Component**

**Safety Information** available from Truss Plate Institute, 2670 Crain Highway, Suite 203 Waldorf, MD 20601



240 Stirling Crescent  
 Bradford, ON. L3Z 4L5

Job	Truss	Truss Type	Qty	Ply	Buildings A-H	U1530883
N0653A	VH5	GABLE	20	1		

Alliance Truss (CA), Abbotsford, BC - V2S 7P6,

8.820 s Aug 30 2024 MiTek Industries, Inc. Thu Sep 12 02:48:33 2024 Page 1

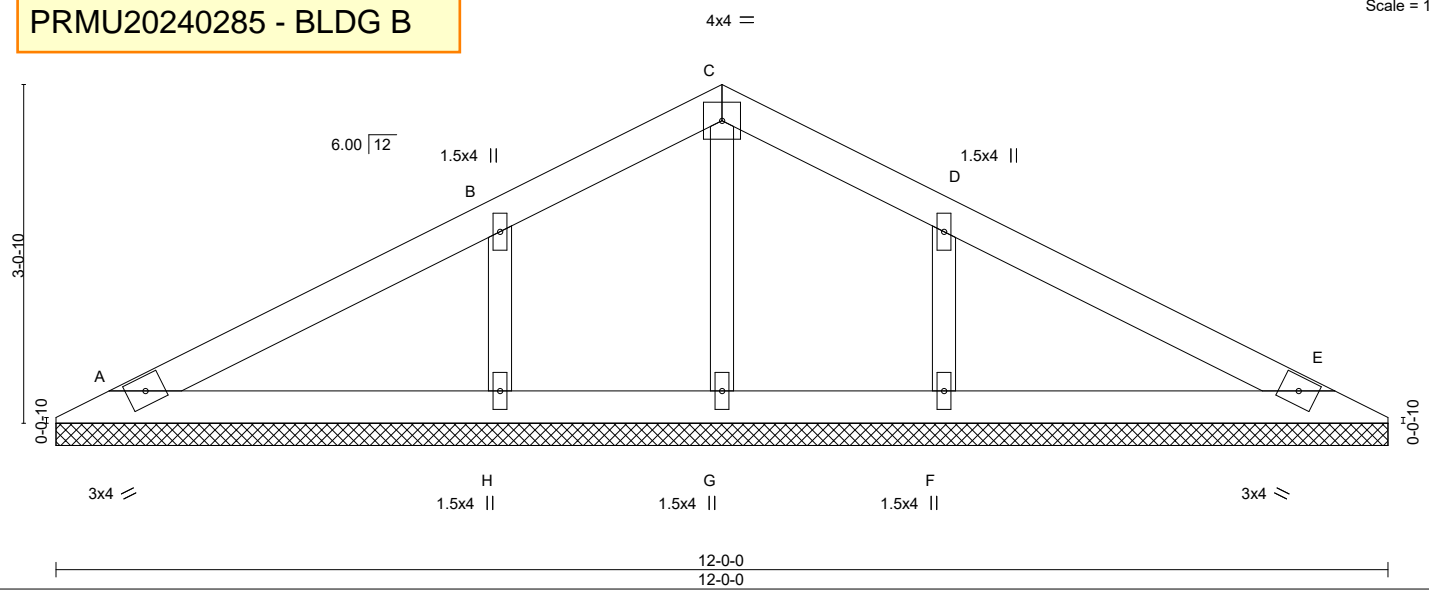
ID:hFyjDMxrTsEK\_kgkR0vWWWzFfgc-rvHAa3OAeDDfntPmg3yZbndEOkQRiexWUNtkmqyeVqi

Job Reference (optional)



**PRMU20240285 - BLDG B**

Scale = 1:20.8



LOADING (psf)	SPACING-	CSI.	DEFL.	PLATES	GRIP
TCLL 25.0	2-0-0	TC 0.23	in (loc) l/defl L/d	MT20	197/144
(Roof Snow=25.0)	Plate Grip DOL 1.15	BC 0.08	Vert(LL) n/a - n/a 999		
TCDL 12.0	Lumber DOL 1.15	WB 0.07	Vert(CT) n/a - n/a 999		
BCLL 0.0 *	Rep Stress Incr YES	Matrix-S	Horz(CT) 0.00 E n/a n/a		
BCDL 10.0	Code IBC2018/TPI2014			Weight: 32 lb	FT = 20%

LUMBER-	BRACING-
TOP CHORD 2x4 SPF No.2	TOP CHORD Structural wood sheathing directly applied or 6-0-0 oc purlins.
BOT CHORD 2x4 SPF No.2	BOT CHORD Rigid ceiling directly applied or 10-0-0 oc bracing.
OTHERS 2x3 SPF No.2	

**REACTIONS.** All bearings 12-0-0.  
 (lb) - Max Horz A=36(LC 14)  
 Max Uplift All uplift 100 lb or less at joint(s) A, E, H, F  
 Max Grav All reactions 250 lb or less at joint(s) A, E, G except H=483(LC 16), F=483(LC 17)


**FORCES.** (lb) - Max. Comp./Max. Ten. - All forces 250 (lb) or less except when shown.  
 WEBS B-H=-391/99, D-F=-391/99

- NOTES-**
- 1) Wind: ASCE 7-16; Vult=115mph (3-second gust) Vasd=91mph; TCDL=4.2psf; BCDL=5.0psf; h=30ft; Ke=1.00; Cat. II; Exp B; Enclosed; MWFRS (envelope) gable end zone; cantilever left and right exposed; end vertical left and right exposed; Lumber DOL=1.33 plate grip DOL=1.33
  - 2) TCLL: ASCE 7-16; Pf=25.0 psf (Lum DOL = 1.15 Plate DOL = 1.15); Is=1.0; Rough Cat B; Partially Exp.; Ce=1.0; Cs=1.00; Ct=1.10
  - 3) Unbalanced snow loads have been considered for this design.
  - 4) Gable requires continuous bottom chord bearing.
  - 5) This truss has been designed for a 10.0 psf bottom chord live load nonconcurrent with any other live loads.
  - 6) \* This truss has been designed for a live load of 20.0psf on the bottom chord in all areas where a rectangle 3-6-0 tall by 2-0-0 wide will fit between the bottom chord and any other members.
  - 7) Provide mechanical connection (by others) of truss to bearing plate capable of withstanding 100 lb uplift at joint(s) A, E, H, F.
  - 8) This truss is designed in accordance with the 2018 International Building Code section 2306.1 and referenced standard ANSI/TPI 1.



September 12, 2024

**WARNING - Verify design parameters and READ NOTES ON THIS AND INCLUDED MITEK REFERENCE PAGE MII-7473 rev. 6/30/2020 BEFORE USE.**  
 Design valid for use only with MiTek® connectors. This design is based only upon parameters shown, and is for an individual building component, not a truss system. Before use, the building designer must verify the applicability of design parameters and properly incorporate this design into the overall building design. Bracing indicated is to prevent buckling of individual truss web and/or chord members only. Additional temporary and permanent bracing is always required for stability and to prevent collapse with possible personal injury and property damage. For general guidance regarding the fabrication, storage, delivery, erection and bracing of trusses and truss systems, see **ANSI/TPI1 Quality Criteria, DSB-89 and BCSI Building Component Safety Information** available from Truss Plate Institute, 2670 Crain Highway, Suite 203 Waldorf, MD 20601



240 Stirling Crescent  
Bradford, ON. L3Z 4L5

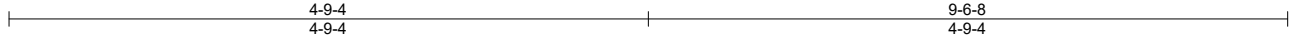
Job	Truss	Truss Type	Qty	Ply	Buildings A-H	U1530884
N0653A	VH6	Valley	20	1		

Alliance Truss (CA), Abbotsford, BC - V2S 7P6,

8.820 s Aug 30 2024 MiTek Industries, Inc. Thu Sep 12 02:48:34 2024 Page 1

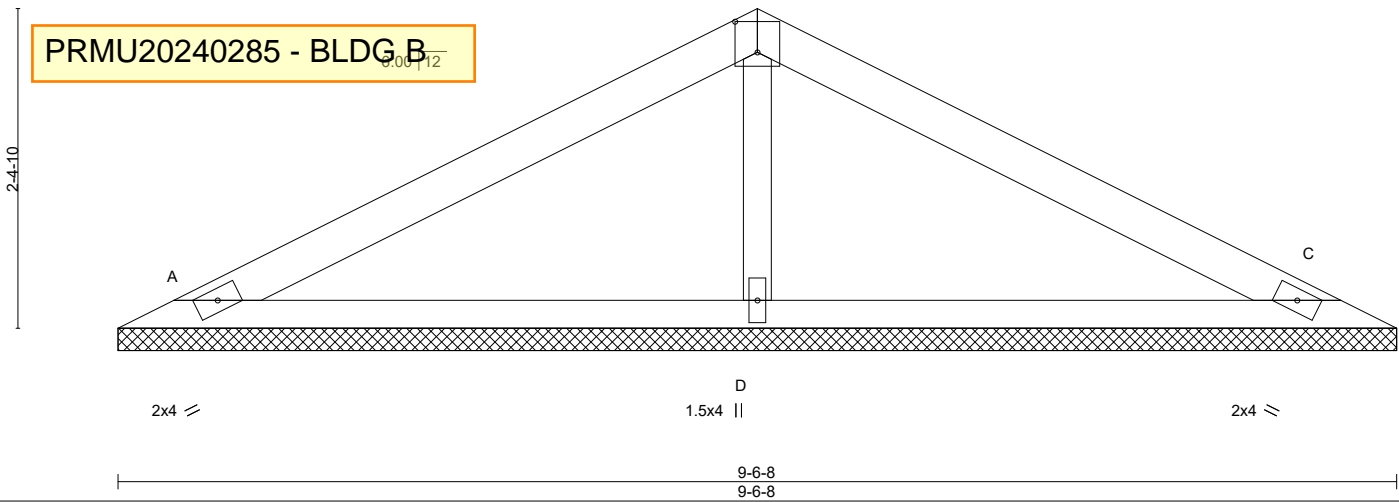
ID:hFyjDMxrTsEK\_kgkR0vWVzFlgc-K5qYnOPpPXMWP1\_zEmTo7?AM08jdR6Lgj1dHIGyeVqh

Job Reference (optional)



Scale = 1:17.2

4x4 ||



PRMU20240285 - BLDG B

Plate Offsets (X,Y)-- [B:0-2-12,0-2-0]

LOADING (psf)		SPACING-		CSI.		DEFL.				PLATES	GRIP	
TCLL	25.0	Plate Grip DOL	1.15	TC	0.41	Vert(LL)	n/a	-	n/a	999	MT20	197/144
(Roof Snow=25.0)		Lumber DOL	1.15	BC	0.28	Vert(CT)	n/a	-	n/a	999		
TCDL	12.0	Rep Stress Incr	YES	WB	0.06	Horz(CT)	0.00	C	n/a	n/a		
BCLL	0.0 *	Code IBC2018/TPI2014		Matrix-S							Weight: 20 lb	FT = 20%
BCDL	10.0											

**LUMBER-**

TOP CHORD 2x4 SPF No.2  
 BOT CHORD 2x3 SPF No.2  
 OTHERS 2x3 SPF No.2

**BRACING-**

TOP CHORD Structural wood sheathing directly applied or 6-0-0 oc purlins.  
 BOT CHORD Rigid ceiling directly applied or 10-0-0 oc bracing.

**REACTIONS.**

(size) A=9-6-8, C=9-6-8, D=9-6-8  
 Max Horz A=-28(LC 15)  
 Max Uplift A=-27(LC 10), C=-33(LC 11), D=-12(LC 10)  
 Max Grav A=262(LC 16), C=262(LC 17), D=424(LC 16)

**FORCES.** (lb) - Max. Comp./Max. Ten. - All forces 250 (lb) or less except when shown.

WEBS B-D=-309/57

**NOTES-**

- 1) Wind: ASCE 7-16; Vult=115mph (3-second gust) Vasd=91mph; TCDL=4.2psf; BCDL=5.0psf; h=30ft; Ke=1.00; Cat. II; Exp B; Enclosed; MWFRS (envelope) gable end zone; cantilever left and right exposed ; end vertical left and right exposed; Lumber DOL=1.33 plate grip DOL=1.33
- 2) TCLL: ASCE 7-16; Pf=25.0 psf (Lum DOL = 1.15 Plate DOL = 1.15); Is=1.0; Rough Cat B; Partially Exp.; Ce=1.0; Cs=1.00; Ct=1.10
- 3) Unbalanced snow loads have been considered for this design.
- 4) Gable requires continuous bottom chord bearing.
- 5) This truss has been designed for a 10.0 psf bottom chord live load nonconcurrent with any other live loads.
- 6) \* This truss has been designed for a live load of 20.0psf on the bottom chord in all areas where a rectangle 3-6-0 tall by 2-0-0 wide will fit between the bottom chord and any other members.
- 7) Provide mechanical connection (by others) of truss to bearing plate capable of withstanding 100 lb uplift at joint(s) A, C, D.
- 8) This truss is designed in accordance with the 2018 International Building Code section 2306.1 and referenced standard ANSI/TPI 1.



September 12, 2024

**WARNING - Verify design parameters and READ NOTES ON THIS AND INCLUDED MITEK REFERENCE PAGE MII-7473 rev. 6/30/2020 BEFORE USE.**

Design valid for use only with MiTek® connectors. This design is based only upon parameters shown, and is for an individual building component, not a truss system. Before use, the building designer must verify the applicability of design parameters and properly incorporate this design into the overall building design. Bracing indicated is to prevent buckling of individual truss web and/or chord members only. Additional temporary and permanent bracing is always required for stability and to prevent collapse with possible personal injury and property damage. For general guidance regarding the fabrication, storage, delivery, erection and bracing of trusses and truss systems, see

ANSI/TPI1 Quality Criteria, DSB-89 and BCSI Building Component

Safety Information available from Truss Plate Institute, 2670 Crain Highway, Suite 203 Waldorf, MD 20601



240 Stirling Crescent  
 Bradford, ON. L3Z 4L5

Job N0653A	Truss VH7	Truss Type Valley	20	1	U1530885
---------------	--------------	----------------------	----	---	----------

Alliance Truss (CA), Abbotsford, BC - V2S 7P6,

8.820 s Aug 30 2024 MiTek Industries, Inc. Thu Sep 12 02:48:34 2024 Page 1

ID:hFyjDMxrTsEK\_kgkR0vWWVzFfgc-K5qYnOPpPXMWP1\_zEmTo7?APH8IIR6mgj1dHIGyeVqh

3-5-4

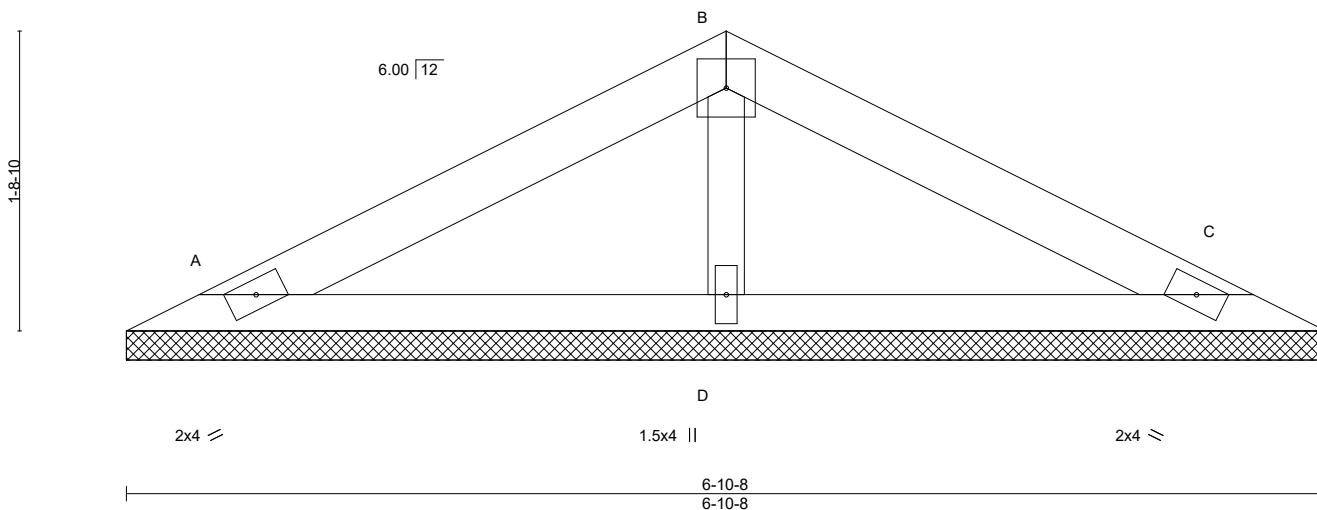
6-10-8

3-5-4

3-5-4

Scale = 1:13.2

4x4 =



LOADING (psf)	SPACING-	2-0-0	CSI.	DEFL.	in (loc)	l/defl	L/d	PLATES	GRIP
TCLL 25.0	Plate Grip DOL	1.15	TC 0.22	Vert(LL)	n/a	-	n/a	MT20	197/144
(Roof Snow=25.0)	Lumber DOL	1.15	BC 0.14	Vert(CT)	n/a	-	n/a		
TCDL 12.0	Rep Stress Incr	YES	WB 0.04	Horz(CT)	0.00	C	n/a		
BCLL 0.0 *	Code IBC2018/TPI2014		Matrix-P					Weight: 14 lb	FT = 20%
BCDL 10.0									

**LUMBER-**

TOP CHORD 2x4 SPF No.2  
 BOT CHORD 2x3 SPF No.2  
 OTHERS 2x3 SPF No.2

**BRACING-**

TOP CHORD Structural wood sheathing directly applied or 6-0-0 oc purlins.  
 BOT CHORD Rigid ceiling directly applied or 10-0-0 oc bracing.

**REACTIONS.**

(size) A=6-10-8, C=6-10-8, D=6-10-8  
 Max Horz A=-19(LC 15)  
 Max Uplift A=-23(LC 10), C=-27(LC 11)  
 Max Grav A=183(LC 16), C=183(LC 17), D=264(LC 1)

**FORCES.** (lb) - Max. Comp./Max. Ten. - All forces 250 (lb) or less except when shown.

**NOTES-**

- 1) Wind: ASCE 7-16; Vult=115mph (3-second gust) Vasd=91mph; TCDL=4.2psf; BCDL=5.0psf; h=30ft; Ke=1.00; Cat. II; Exp B; Enclosed; MWFRS (envelope) gable end zone; cantilever left and right exposed; end vertical left and right exposed; Lumber DOL=1.33 plate grip DOL=1.33
- 2) TCLL: ASCE 7-16; Pf=25.0 psf (Lum DOL = 1.15 Plate DOL = 1.15); Is=1.0; Rough Cat B; Partially Exp.; Ce=1.0; Cs=1.00; Ct=1.10
- 3) Unbalanced snow loads have been considered for this design.
- 4) Gable requires continuous bottom chord bearing.
- 5) This truss has been designed for a 10.0 psf bottom chord live load nonconcurrent with any other live loads.
- 6) \* This truss has been designed for a live load of 20.0psf on the bottom chord in all areas where a rectangle 3-6-0 tall by 2-0-0 wide will fit between the bottom chord and any other members.
- 7) Provide mechanical connection (by others) of truss to bearing plate capable of withstanding 100 lb uplift at joint(s) A, C.
- 8) This truss is designed in accordance with the 2018 International Building Code section 2306.1 and referenced standard ANSI/TPI 1.



September 12, 2024

**WARNING - Verify design parameters and READ NOTES ON THIS AND INCLUDED MITEK REFERENCE PAGE MII-7473 rev. 6/30/2020 BEFORE USE.**

Design valid for use only with MiTek® connectors. This design is based only upon parameters shown, and is for an individual building component, not a truss system. Before use, the building designer must verify the applicability of design parameters and properly incorporate this design into the overall building design. Bracing indicated is to prevent buckling of individual truss web and/or chord members only. Additional temporary and permanent bracing is always required for stability and to prevent collapse with possible personal injury and property damage. For general guidance regarding the fabrication, storage, delivery, erection and bracing of trusses and truss systems, see

**ANSI/TPI1 Quality Criteria, DSB-89 and BCSI Building Component**

**Safety Information** available from Truss Plate Institute, 2670 Crain Highway, Suite 203 Waldorf, MD 20601



240 Stirling Crescent  
 Bradford, ON. L3Z 4L5



Job	Truss	Truss Type	Qty	Ply	Buildings A-H	U1530886
N0653A	VH8	Valley	20	1		

Alliance Truss (CA), Abbotsford, BC - V2S 7P6,

8.820 s Aug 30 2024 MiTek Industries, Inc. Thu Sep 12 02:48:34 2024 Page 1

ID:hFyjDMxrTsEK\_kgkR0vWWVzFlgc-K5qYnOPpPXMWP1\_zEmTo7?ASu8khR6Jg1dHIGyeVqh

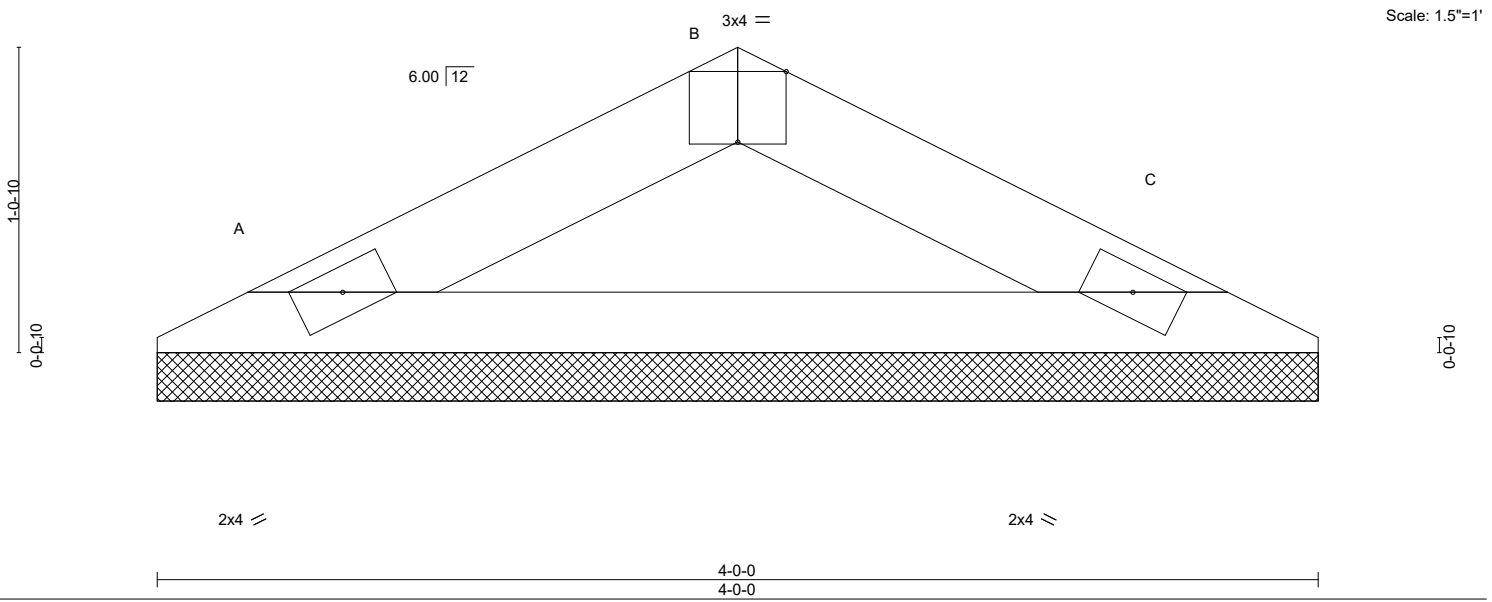


Plate Offsets (X,Y)-- [B:0-2-0,Edge]

LOADING (psf)	SPACING-	CSI.	DEFL.	in (loc)	l/defl	L/d	PLATES	GRIP
TCLL 25.0 (Roof Snow=25.0)	2-0-0 Plate Grip DOL 1.15	TC 0.05	Vert(LL)	n/a	-	n/a	MT20	197/144
TCDL 12.0	Lumber DOL 1.15	BC 0.21	Vert(CT)	n/a	-	n/a		
BCLL 0.0 *	Rep Stress Incr YES	WB 0.00	Horz(CT)	0.00	C	n/a		
BCDL 10.0	Code IBC2018/TPI2014	Matrix-P					Weight: 8 lb	FT = 20%

LUMBER-	BRACING-
TOP CHORD 2x4 SPF No.2	TOP CHORD Structural wood sheathing directly applied or 4-2-8 oc purlins.
BOT CHORD 2x3 SPF No.2	BOT CHORD Rigid ceiling directly applied or 10-0-0 oc bracing.

**REACTIONS.** (size) A=4-0-0, C=4-0-0  
 Max Horz A=-10(LC 15)  
 Max Uplift A=-12(LC 10), C=-12(LC 11)  
 Max Grav A=159(LC 16), C=159(LC 17)

**FORCES.** (lb) - Max. Comp./Max. Ten. - All forces 250 (lb) or less except when shown.

- NOTES-**
- 1) Wind: ASCE 7-16; Vult=115mph (3-second gust) Vasd=91mph; TCDL=4.2psf; BCDL=5.0psf; h=30ft; Ke=1.00; Cat. II; Exp B; Enclosed; MWFRS (envelope) gable end zone; cantilever left and right exposed ; end vertical left and right exposed; Lumber DOL=1.33 plate grip DOL=1.33
  - 2) TCLL: ASCE 7-16; Pf=25.0 psf (Lum DOL = 1.15 Plate DOL = 1.15); Is=1.0; Rough Cat B; Partially Exp.; Ce=1.0; Cs=1.00; Ct=1.10
  - 3) Unbalanced snow loads have been considered for this design.
  - 4) Gable requires continuous bottom chord bearing.
  - 5) This truss has been designed for a 10.0 psf bottom chord live load nonconcurrent with any other live loads.
  - 6) \* This truss has been designed for a live load of 20.0psf on the bottom chord in all areas where a rectangle 3-6-0 tall by 2-0-0 wide will fit between the bottom chord and any other members.
  - 7) Provide mechanical connection (by others) of truss to bearing plate capable of withstanding 100 lb uplift at joint(s) A, C.
  - 8) This truss is designed in accordance with the 2018 International Building Code section 2306.1 and referenced standard ANSI/TPI 1.

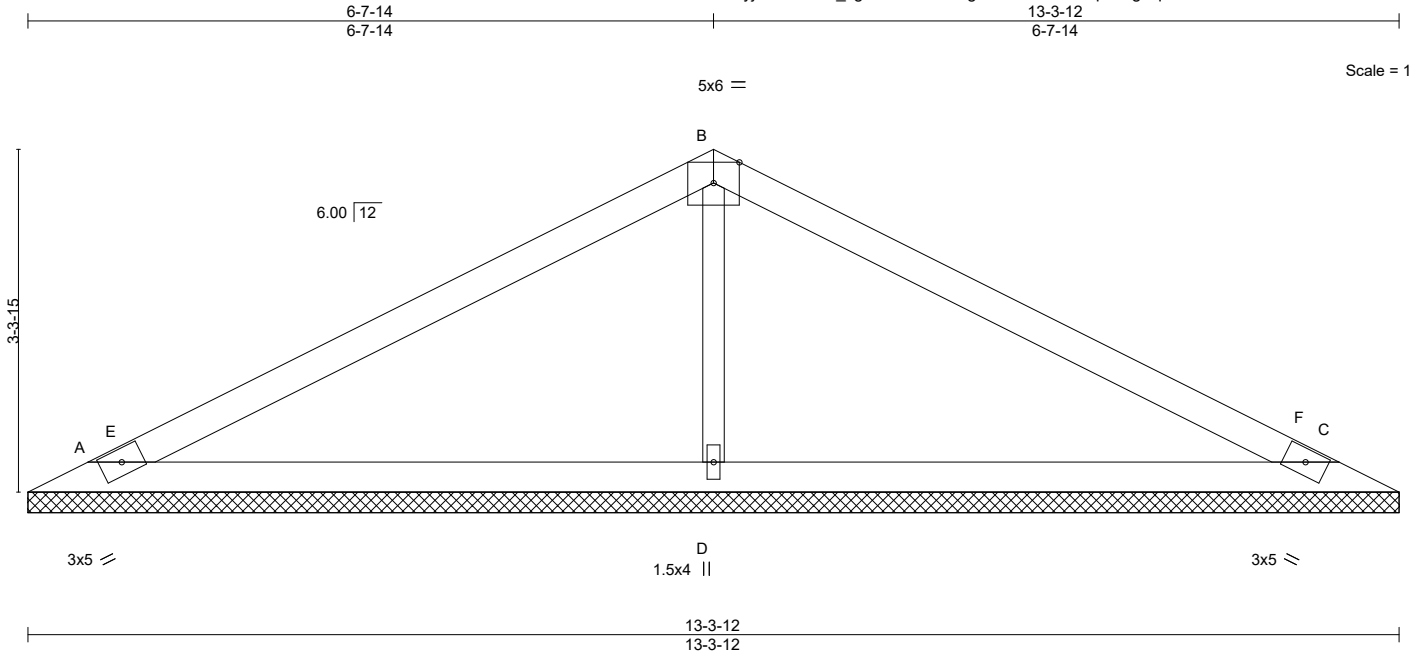


September 12, 2024

Job	Truss	Truss Type	Qty	Ply	Buildings A-H	U1530806
N0653A	VR1	Valley	1	1		

Alliance Truss (CA), Abbotsford, BC - V2S 7P6, 8.630 s Jul 12 2024 MiTek Industries, Inc. Thu Sep 12 02:47:48 2024 Page 1

ID:hFyjDMxrTsEK\_kgkR0vWWVzFgC-RfC?PsB70Hq3NSgPqnL8w3ulTXbGKWrCDoi7J4zJC?f



Scale = 1:22.4

LOADING (psf)	SPACING-	CSI.	DEFL.	in (loc)	l/defl	L/d	PLATES	GRIP
TCLL 25.0	2-0-0	TC 0.83	Vert(LL)	n/a	-	n/a	MT20	197/144
(Roof Snow=25.0)	Plate Grip DOL 1.15	BC 0.32	Vert(CT)	n/a	-	n/a		
TCDL 12.0	Lumber DOL 1.15	WB 0.11	Horz(CT)	0.00	C	n/a		
BCLL 0.0 *	Rep Stress Incr YES	Matrix-S						
BCDL 10.0	Code IBC2018/TPI2014						Weight: 33 lb	FT = 20%

**LUMBER-**

TOP CHORD 2x4 SPF No.2  
 BOT CHORD 2x4 SPF No.2  
 OTHERS 2x3 SPF No.2

**BRACING-**

TOP CHORD Structural wood sheathing directly applied or 4-8-11 oc purlins.  
 BOT CHORD Rigid ceiling directly applied or 10-0-0 oc bracing.

**REACTIONS.**

(size) A=13-3-12, C=13-3-12, D=13-3-12  
 Max Horz A=-39(LC 11)  
 Max Uplift A=-38(LC 10), C=-45(LC 11), D=-18(LC 10)  
 Max Grav A=365(LC 16), C=365(LC 17), D=610(LC 17)

**FORCES.** (lb) - Max. Comp./Max. Ten. - All forces 250 (lb) or less except when shown.  
 WEBS B-D=-425/79

**NOTES-**

- 1) Wind: ASCE 7-16; Vult=115mph (3-second gust) Vasd=91mph; TCDL=4.2psf; BCDL=5.0psf; h=30ft; Ke=1.00; Cat. II; Exp B; Enclosed; MWFRS (envelope) gable end zone; cantilever left and right exposed; end vertical left and right exposed; Lumber DOL=1.33 plate grip DOL=1.33
- 2) TCLL: ASCE 7-16; Pf=25.0 psf (Lum DOL=1.15 Plate DOL=1.15); Is=1.0; Rough Cat B; Partially Exp.; Ce=1.0; Cs=1.0; Ct=1.10
- 3) Unbalanced snow loads have been considered for this design.
- 4) Gable requires continuous bottom chord bearing.
- 5) This truss has been designed for a 10.0 psf bottom chord live load nonconcurrent with any other live loads.
- 6) \* This truss has been designed for a live load of 20.0psf on the bottom chord in all areas where a rectangle 3-6-0 tall by 2-0-0 wide will fit between the bottom chord and any other members.
- 7) Provide mechanical connection (by others) of truss to bearing plate capable of withstanding 100 lb uplift at joint(s) A, C, D.
- 8) This truss is designed in accordance with the 2018 International Building Code section 2306.1 and referenced standard ANSI/TPI 1.



September 12, 2024

**WARNING - Verify design parameters and READ NOTES ON THIS AND INCLUDED MITEK REFERENCE PAGE MII-7473 rev. 6/30/2020 BEFORE USE.**

Design valid for use only with MiTek® connectors. This design is based only upon parameters shown, and is for an individual building component, not a truss system. Before use, the building designer must verify the applicability of design parameters and properly incorporate this design into the overall building design. Bracing indicated is to prevent buckling of individual truss web and/or chord members only. Additional temporary and permanent bracing is always required for stability and to prevent collapse with possible personal injury and property damage. For general guidance regarding the fabrication, storage, delivery, erection and bracing of trusses and truss systems, see

**Safety Information** available from Truss Plate Institute, 2670 Crain Highway, Suite 203 Waldorf, MD 20601

ANSI/TPI1 Quality Criteria, DSB-89 and BCSI Building Component



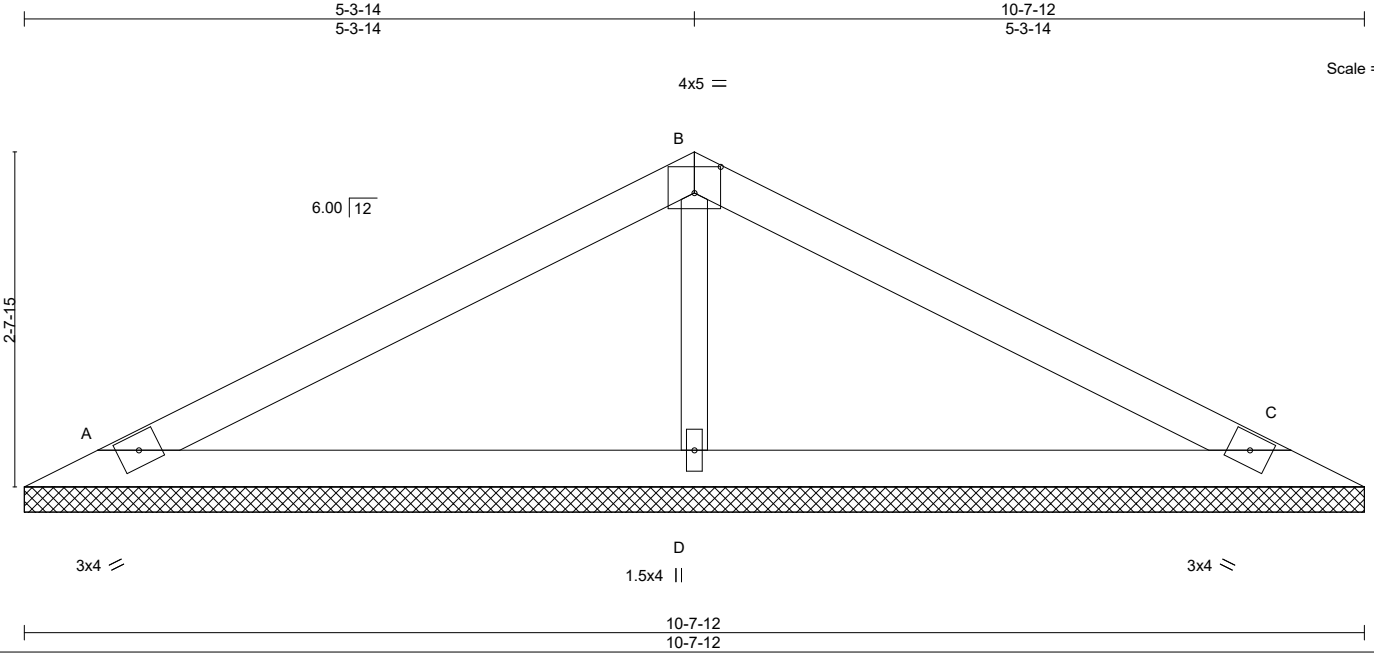
240 Stirling Crescent  
 Bradford, ON. L3Z 4L5

Job	Truss	Truss Type	Qty	Ply	Buildings A-H	U1530807
N0653A	VR2	Valley	1	1		

Alliance Truss (CA), Abbotsford, BC - V2S 7P6, 8.630 s Jul 12 2024 MiTek Industries, Inc. Thu Sep 12 02:47:48 2024 Page 1

ID:hFyjDMxrTsEK\_kgkR0vWWVzFgc-RfC?PsB70Hq3NSgPqnL8w3ulTXbGKWrCDoi7J4zJC?f

Job Reference (optional)



Scale = 1:18.3

Plate Offsets (X,Y)-- [B:0-2-8,0-2-8]

LOADING (psf)	SPACING-	CSI.	DEFL.	in (loc)	l/defl	L/d	PLATES	GRIP
TCLL 25.0 (Roof Snow=25.0)	2-0-0 Plate Grip DOL 1.15	TC 0.48	Vert(LL)	n/a	-	n/a	MT20	197/144
TCDL 12.0	Lumber DOL 1.15	BC 0.19	Vert(CT)	n/a	-	n/a		
BCLL 0.0 *	Rep Stress Incr YES	WB 0.07	Horz(CT)	0.00	C	n/a		
BCDL 10.0	Code IBC2018/TPI2014	Matrix-S					Weight: 26 lb	FT = 20%

**LUMBER-**  
TOP CHORD 2x4 SPF No.2  
BOT CHORD 2x4 SPF No.2  
OTHERS 2x3 SPF No.2

**BRACING-**  
TOP CHORD Structural wood sheathing directly applied or 6-0-0 oc purlins.  
BOT CHORD Rigid ceiling directly applied or 10-0-0 oc bracing.

**REACTIONS.** (size) A=10-7-12, C=10-7-12, D=10-7-12  
Max Horz A=31(LC 14)  
Max Uplift A=-29(LC 10), C=-35(LC 11), D=-14(LC 10)  
Max Grav A=296(LC 16), C=296(LC 17), D=474(LC 17)

**FORCES.** (lb) - Max. Comp./Max. Ten. - All forces 250 (lb) or less except when shown.  
WEBS B-D=-329/61

**NOTES-**

- 1) Wind: ASCE 7-16; Vult=115mph (3-second gust) Vasd=91mph; TCDL=4.2psf; BCDL=5.0psf; h=30ft; Ke=1.00; Cat. II; Exp B; Enclosed; MWFRS (envelope) gable end zone; cantilever left and right exposed; end vertical left and right exposed; Lumber DOL=1.33 plate grip DOL=1.33
- 2) TCLL: ASCE 7-16; Pf=25.0 psf (Lum DOL=1.15 Plate DOL=1.15); Is=1.0; Rough Cat B; Partially Exp.; Ce=1.0; Cs=1.00; Ct=1.10
- 3) Unbalanced snow loads have been considered for this design.
- 4) Gable requires continuous bottom chord bearing.
- 5) This truss has been designed for a 10.0 psf bottom chord live load nonconcurrent with any other live loads.
- 6) \* This truss has been designed for a live load of 20.0psf on the bottom chord in all areas where a rectangle 3-6-0 tall by 2-0-0 wide will fit between the bottom chord and any other members.
- 7) Provide mechanical connection (by others) of truss to bearing plate capable of withstanding 100 lb uplift at joint(s) A, C, D.
- 8) This truss is designed in accordance with the 2018 International Building Code section 2306.1 and referenced standard ANSI/TPI 1.



September 12, 2024

**WARNING - Verify design parameters and READ NOTES ON THIS AND INCLUDED MITEK REFERENCE PAGE MII-7473 rev. 6/30/2020 BEFORE USE.**

Design valid for use only with MiTek® connectors. This design is based only upon parameters shown, and is for an individual building component, not a truss system. Before use, the building designer must verify the applicability of design parameters and properly incorporate this design into the overall building design. Bracing indicated is to prevent buckling of individual truss web and/or chord members only. Additional temporary and permanent bracing is always required for stability and to prevent collapse with possible personal injury and property damage. For general guidance regarding the fabrication, storage, delivery, erection and bracing of trusses and truss systems, see

**Safety Information** available from Truss Plate Institute, 2670 Crain Highway, Suite 203 Waldorf, MD 20601

ANSI/TPI1 Quality Criteria, DSB-89 and BCSI Building Component



240 Stirling Crescent  
Bradford, ON. L3Z 4L5

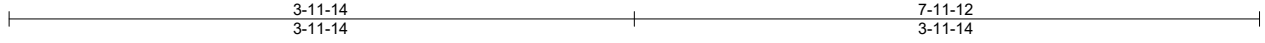
Job	Truss	Truss Type	Qty	Ply	Buildings A-H	U1530808
N0653A	VR3	Valley	1	1		

Alliance Truss (CA), Abbotsford, BC - V2S 7P6,

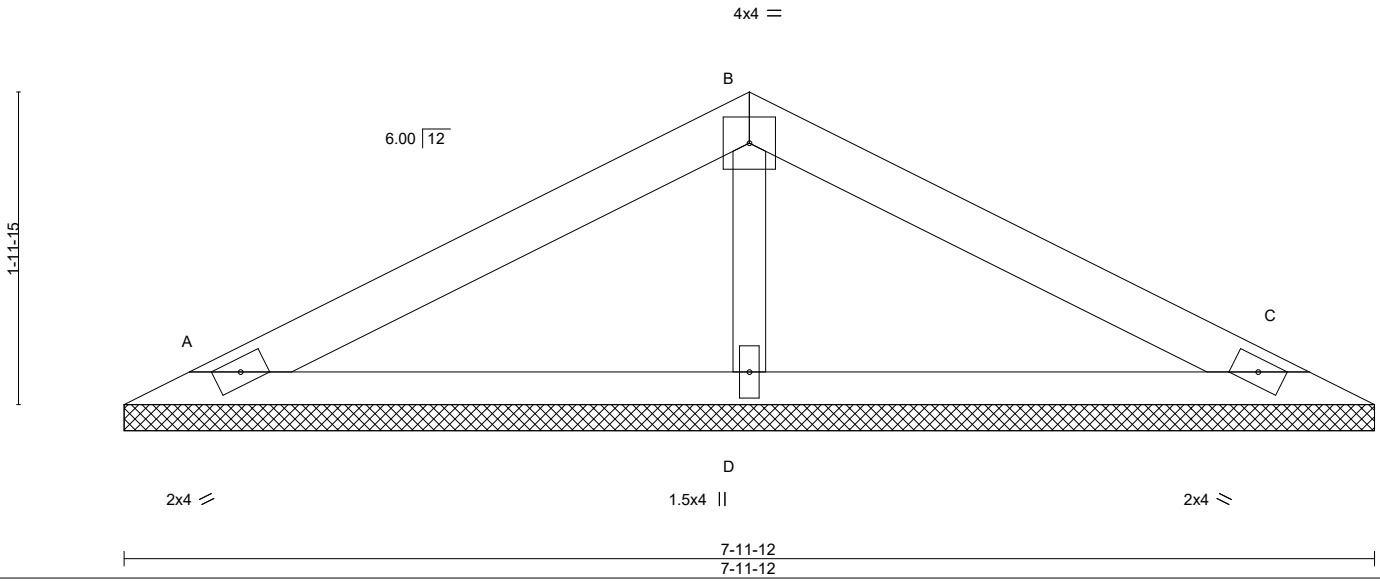
8.630 s Jul 12 2024 MiTek Industries, Inc. Thu Sep 12 02:47:49 2024 Page 1

ID:hFyjDMxrTsEK\_kgkR0vWWVzFfgc-RfC?PsB70Hq3NSgPqnL8w3ulTXbGKWrCDoi7J4zJC?f

Job Reference (optional)



Scale = 1:14.7



LOADING (psf)	SPACING-	CSI.	DEFL.	PLATES	GRIP
TCLL 25.0	2-0-0	TC 0.33	in (loc) l/defl L/d	MT20	197/144
(Roof Snow=25.0)	Plate Grip DOL 1.15	BC 0.20	Vert(LL) n/a - n/a 999		
TCDL 12.0	Lumber DOL 1.15	WB 0.04	Vert(CT) n/a - n/a 999		
BCLL 0.0 *	Rep Stress Incr YES	Matrix-P	Horz(CT) 0.00 C n/a n/a		
BCDL 10.0	Code IBC2018/TPI2014			Weight: 17 lb	FT = 20%

**LUMBER-**  
TOP CHORD 2x4 SPF No.2  
BOT CHORD 2x3 SPF No.2  
OTHERS 2x3 SPF No.2

**BRACING-**  
TOP CHORD Structural wood sheathing directly applied or 6-0-0 oc purlins.  
BOT CHORD Rigid ceiling directly applied or 10-0-0 oc bracing.

**REACTIONS.** (size) A=7-11-12, C=7-11-12, D=7-11-12  
Max Horz A=23(LC 10)  
Max Uplift A=-27(LC 10), C=-32(LC 11)  
Max Grav A=223(LC 16), C=223(LC 17), D=314(LC 1)

**FORCES.** (lb) - Max. Comp./Max. Ten. - All forces 250 (lb) or less except when shown.

**NOTES-**

- 1) Wind: ASCE 7-16; Vult=115mph (3-second gust) Vasd=91mph; TCDL=4.2psf; BCDL=5.0psf; h=30ft; Ke=1.00; Cat. II; Exp B; Enclosed; MWFRS (envelope) gable end zone; cantilever left and right exposed; end vertical left and right exposed; Lumber DOL=1.33 plate grip DOL=1.33
- 2) TCLL: ASCE 7-16; Pf=25.0 psf (Lum DOL=1.15 Plate DOL=1.15); Is=1.0; Rough Cat B; Partially Exp.; Ce=1.0; Cs=1.00; Ct=1.10
- 3) Unbalanced snow loads have been considered for this design.
- 4) Gable requires continuous bottom chord bearing.
- 5) This truss has been designed for a 10.0 psf bottom chord live load nonconcurrent with any other live loads.
- 6) \* This truss has been designed for a live load of 20.0psf on the bottom chord in all areas where a rectangle 3-6-0 tall by 2-0-0 wide will fit between the bottom chord and any other members.
- 7) Provide mechanical connection (by others) of truss to bearing plate capable of withstanding 100 lb uplift at joint(s) A, C.
- 8) This truss is designed in accordance with the 2018 International Building Code section 2306.1 and referenced standard ANSI/TPI 1.



September 12, 2024

**WARNING - Verify design parameters and READ NOTES ON THIS AND INCLUDED MITEK REFERENCE PAGE MII-7473 rev. 6/30/2020 BEFORE USE.**

Design valid for use only with MiTek® connectors. This design is based only upon parameters shown, and is for an individual building component, not a truss system. Before use, the building designer must verify the applicability of design parameters and properly incorporate this design into the overall building design. Bracing indicated is to prevent buckling of individual truss web and/or chord members only. Additional temporary and permanent bracing is always required for stability and to prevent collapse with possible personal injury and property damage. For general guidance regarding the fabrication, storage, delivery, erection and bracing of trusses and truss systems, see

**ANSI/TPI1 Quality Criteria, DSB-89 and BCSI Building Component**

**Safety Information** available from Truss Plate Institute, 2670 Crain Highway, Suite 203 Waldorf, MD 20601



240 Stirling Crescent  
Bradford, ON. L3Z 4L5

Job	Truss	Truss Type	Qty	Ply	Buildings A-H	U1530809
N0653A	VR4	Valley	1	1		

Alliance Truss (CA), Abbotsford, BC - V2S 7P6,

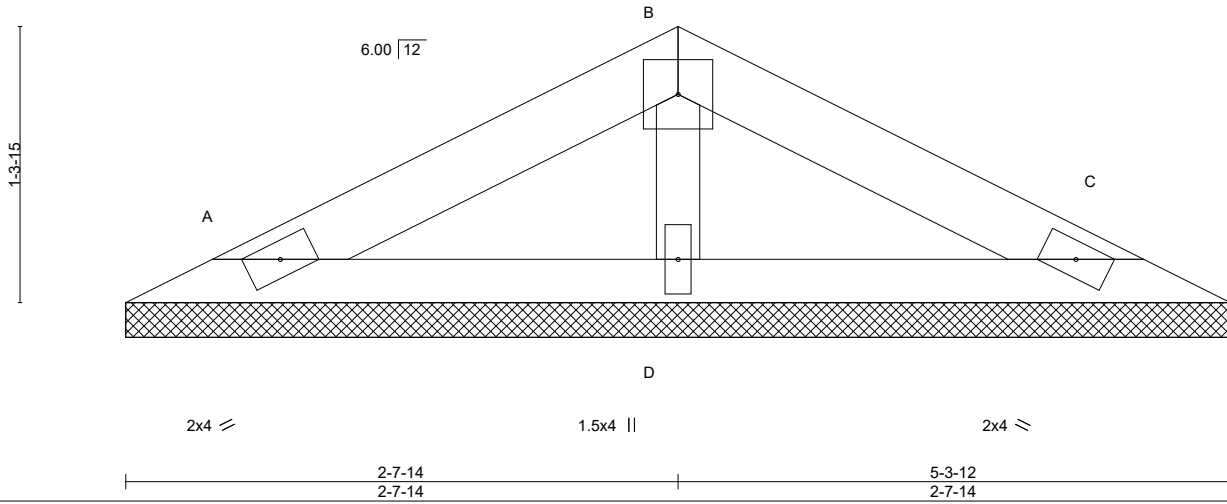
8.630 s Jul 12 2024 MiTek Industries, Inc. Thu Sep 12 02:47:49 2024 Page 1

ID:hFyjDMxrTsEK\_kgkR0vWWVzFgC-RfC?PsB70Hq3NSgPqnL8w3ulTXbGKWrCDoi7J4zJC?f



4x4 =

Scale = 1:11.1



LOADING (psf)	SPACING-	CSI.	DEFL.	in (loc)	l/defl	L/d	PLATES	GRIP
TCLL 25.0	2-0-0	TC 0.11	Vert(LL)	n/a	-	n/a	MT20	197/144
(Roof Snow=25.0)	Plate Grip DOL 1.15	BC 0.08	Vert(CT)	n/a	-	n/a		
TCDL 12.0	Lumber DOL 1.15	WB 0.02	Horz(CT)	0.00	C	n/a		
BCLL 0.0 *	Rep Stress Incr YES	Matrix-P						
BCDL 10.0	Code IBC2018/TPI2014						Weight: 11 lb	FT = 20%

**LUMBER-**

TOP CHORD 2x4 SPF No.2  
 BOT CHORD 2x3 SPF No.2  
 WEBS 2x3 SPF No.2

**BRACING-**

TOP CHORD Structural wood sheathing directly applied or 5-3-12 oc purlins.  
 BOT CHORD Rigid ceiling directly applied or 10-0-0 oc bracing.

**REACTIONS.**

(size) A=5-3-12, C=5-3-12, D=5-3-12  
 Max Horz A=14(LC 14)  
 Max Uplift A=-17(LC 10), C=-20(LC 11)  
 Max Grav A=129(LC 16), C=129(LC 17), D=193(LC 1)

**FORCES.** (lb) - Max. Comp./Max. Ten. - All forces 250 (lb) or less except when shown.

**NOTES-**

- 1) Wind: ASCE 7-16; Vult=115mph (3-second gust) Vasd=91mph; TCDL=4.2psf; BCDL=5.0psf; h=30ft; Ke=1.00; Cat. II; Exp B; Enclosed; MWFRS (envelope) gable end zone; cantilever left and right exposed; end vertical left and right exposed; Lumber DOL=1.33 plate grip DOL=1.33
- 2) TCLL: ASCE 7-16; Pf=25.0 psf (Lum DOL=1.15 Plate DOL=1.15); Is=1.0; Rough Cat B; Partially Exp.; Ce=1.0; Cs=1.00; Ct=1.10
- 3) Unbalanced snow loads have been considered for this design.
- 4) Gable requires continuous bottom chord bearing.
- 5) This truss has been designed for a 10.0 psf bottom chord live load nonconcurrent with any other live loads.
- 6) \* This truss has been designed for a live load of 20.0psf on the bottom chord in all areas where a rectangle 3-6-0 tall by 2-0-0 wide will fit between the bottom chord and any other members.
- 7) Provide mechanical connection (by others) of truss to bearing plate capable of withstanding 100 lb uplift at joint(s) A, C.
- 8) This truss is designed in accordance with the 2018 International Building Code section 2306.1 and referenced standard ANSI/TPI 1.



September 12, 2024

**WARNING - Verify design parameters and READ NOTES ON THIS AND INCLUDED MITEK REFERENCE PAGE MII-7473 rev. 6/30/2020 BEFORE USE.**

Design valid for use only with MiTek® connectors. This design is based only upon parameters shown, and is for an individual building component, not a truss system. Before use, the building designer must verify the applicability of design parameters and properly incorporate this design into the overall building design. Bracing indicated is to prevent buckling of individual truss web and/or chord members only. Additional temporary and permanent bracing is always required for stability and to prevent collapse with possible personal injury and property damage. For general guidance regarding the fabrication, storage, delivery, erection and bracing of trusses and truss systems, see

**ANSI/TPI1 Quality Criteria, DSB-89 and BCSI Building Component**

**Safety Information** available from Truss Plate Institute, 2670 Crain Highway, Suite 203 Waldorf, MD 20601



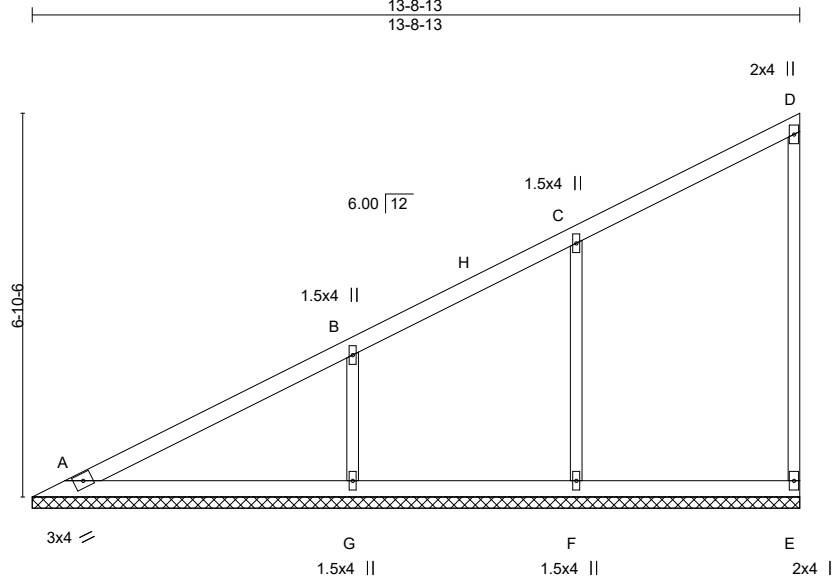
240 Stirling Crescent  
 Bradford, ON. L3Z 4L5

Job N0653A	Truss VU1	Truss Type Valley	Qty 20	Ply 1	Buildings A-H Job Reference (optional)	U1530887
---------------	--------------	----------------------	-----------	----------	---	----------

Alliance Truss (CA), Abbotsford, BC - V2S 7P6,

8.820 s Aug 30 2024 MiTek Industries, Inc. Thu Sep 12 02:48:35 2024 Page 1

ID:hFyjDMxrTsEK\_kgkR0vWWVzFIgc-oHOw?kQRARUM1BZ9oU?1gCjY7X45AWypyhMriyeVqg



Scale = 1:41.2

<b>LOADING</b> (psf)	<b>SPACING-</b>	2-0-0	<b>CSI.</b>	<b>DEFL.</b>	in (loc)	l/defl	L/d	<b>PLATES</b>	<b>GRIP</b>
TCLL 25.0	Plate Grip DOL	1.15	TC 0.34	Vert(LL)	n/a	-	n/a	MT20	197/144
(Roof Snow=25.0)	Lumber DOL	1.15	BC 0.20	Vert(CT)	n/a	-	n/a		
TCDL 12.0	Rep Stress Incr	YES	WB 0.23	Horz(CT)	-0.00	E	n/a		
BCLL 0.0 *	Code IBC2018/TPI2014		Matrix-S						
BCDL 10.0								Weight: 43 lb	FT = 20%

**LUMBER-**

TOP CHORD 2x4 SPF No.2  
 BOT CHORD 2x4 SPF No.2  
 WEBS 2x3 SPF No.2  
 OTHERS 2x3 SPF No.2

**BRACING-**

TOP CHORD Structural wood sheathing directly applied or 6-0-0 oc purlins, except end verticals.  
 BOT CHORD Rigid ceiling directly applied or 10-0-0 oc bracing.

**REACTIONS.**

All bearings 13-8-13.  
 (lb) - Max Horz A=201(LC 7)  
 Max Uplift All uplift 100 lb or less at joint(s) E, F except G=-103(LC 10)  
 Max Grav All reactions 250 lb or less at joint(s) A, E except F=528(LC 3), G=509(LC 3)

**FORCES.** (lb) - Max. Comp./Max. Ten. - All forces 250 (lb) or less except when shown.

WEBS C-F=-446/107, B-G=-381/150

**NOTES-**

- 1) Wind: ASCE 7-16; Vult=115mph (3-second gust) Vasd=91mph; TCDL=4.2psf; BCDL=5.0psf; h=30ft; Ke=1.00; Cat. II; Exp B; Enclosed; MWFRS (envelope) gable end zone; cantilever left and right exposed; end vertical left and right exposed; Lumber DOL=1.33 plate grip DOL=1.33
- 2) TCLL: ASCE 7-16; Pf=25.0 psf (Lum DOL = 1.15 Plate DOL = 1.15); Is=1.0; Rough Cat B; Partially Exp.; Ce=1.0; Cs=1.00; Ct=1.10
- 3) Unbalanced snow loads have been considered for this design.
- 4) Gable requires continuous bottom chord bearing.
- 5) This truss has been designed for a 10.0 psf bottom chord live load nonconcurrent with any other live loads.
- 6) \* This truss has been designed for a live load of 20.0psf on the bottom chord in all areas where a rectangle 3-6-0 tall by 2-0-0 wide will fit between the bottom chord and any other members, with BCDL = 10.0psf.
- 7) Provide mechanical connection (by others) of truss to bearing plate capable of withstanding 100 lb uplift at joint(s) E, F except (jt=lb) G=103.
- 8) This truss is designed in accordance with the 2018 International Building Code section 2306.1 and referenced standard ANSI/TPI 1.



September 12, 2024

**WARNING - Verify design parameters and READ NOTES ON THIS AND INCLUDED MITEK REFERENCE PAGE MII-7473 rev. 6/30/2020 BEFORE USE.**

Design valid for use only with MiTek® connectors. This design is based only upon parameters shown, and is for an individual building component, not a truss system. Before use, the building designer must verify the applicability of design parameters and properly incorporate this design into the overall building design. Bracing indicated is to prevent buckling of individual truss web and/or chord members only. Additional temporary and permanent bracing is always required for stability and to prevent collapse with possible personal injury and property damage. For general guidance regarding the fabrication, storage, delivery, erection and bracing of trusses and truss systems, see

**ANSI/TPI1 Quality Criteria, DSB-89 and BCSI Building Component**

**Safety Information** available from Truss Plate Institute, 2670 Crain Highway, Suite 203 Waldorf, MD 20601



240 Stirling Crescent  
 Bradford, ON. L3Z 4L5

Job	Truss	Truss Type	Qty	Ply	Buildings A-H	U1530888
N0653A	VU2	Valley	20	1		

Alliance Truss (CA), Abbotsford, BC - V2S 7P6,

8.820 s Aug 30 2024 MiTek Industries, Inc. Thu Sep 12 02:48:35 2024 Page 1

ID:hFyjDMxrTsEK\_kgkR0vWWVzFIgc-oH0w?kQRarUM1BZ9oU?1gCjZjX5wAXjpyhMrrieVqg

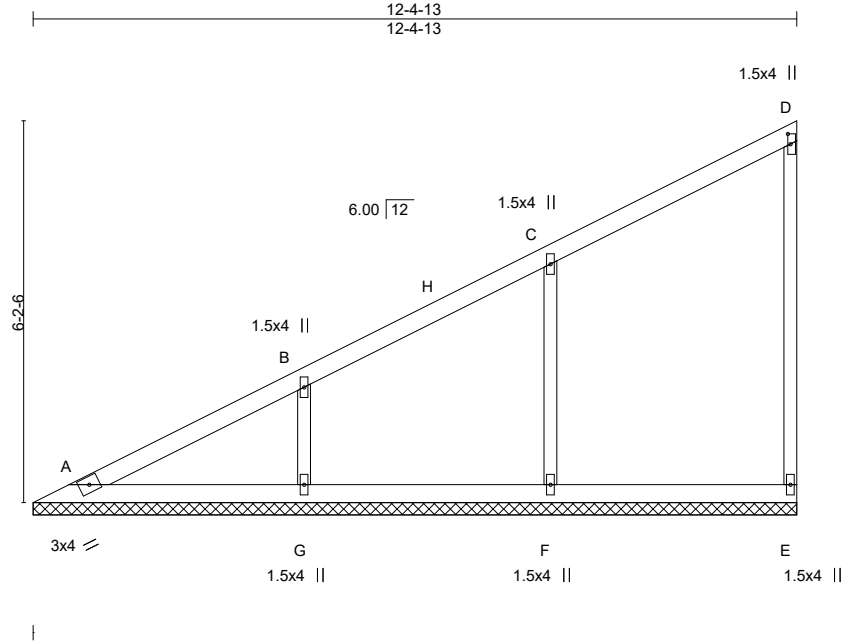


Plate Offsets (X,Y)-- [D:0-2-0,0-0-8]

LOADING (psf)	SPACING-	CSI.	DEFL.	PLATES	GRIP
TCLL 25.0 (Roof Snow=25.0)	2-0-0 Plate Grip DOL 1.15	TC 0.30	in (loc) l/defl L/d	MT20	197/144
TCDL 12.0	Lumber DOL 1.15	BC 0.14	Vert(LL) n/a - n/a 999		
BCLL 0.0 *	Rep Stress Incr YES	WB 0.18	Vert(CT) n/a - n/a 999		
BCDL 10.0	Code IBC2018/TPI2014	Matrix-S	Horz(CT) -0.00 E n/a n/a	Weight: 38 lb	FT = 20%

**LUMBER-**

TOP CHORD 2x4 SPF No.2  
 BOT CHORD 2x4 SPF No.2  
 WEBS 2x3 SPF No.2  
 OTHERS 2x3 SPF No.2

**BRACING-**

TOP CHORD Structural wood sheathing directly applied or 6-0-0 oc purlins, except end verticals.  
 BOT CHORD Rigid ceiling directly applied or 10-0-0 oc bracing.

**REACTIONS.**

All bearings 12-4-13.  
 (lb) - Max Horz A=180(LC 7)  
 Max Uplift All uplift 100 lb or less at joint(s) E, F, G  
 Max Grav All reactions 250 lb or less at joint(s) A, E except F=562(LC 3), G=409(LC 3)

**FORCES.** (lb) - Max. Comp./Max. Ten. - All forces 250 (lb) or less except when shown.

WEBS C-F=-469/118, B-G=-310/123

**NOTES-**

- 1) Wind: ASCE 7-16; Vult=115mph (3-second gust) Vasd=91mph; TCDL=4.2psf; BCDL=5.0psf; h=30ft; Ke=1.00; Cat. II; Exp B; Enclosed; MWFRS (envelope) gable end zone; cantilever left and right exposed; end vertical left and right exposed; Lumber DOL=1.33 plate grip DOL=1.33
- 2) TCLL: ASCE 7-16; Pf=25.0 psf (Lum DOL = 1.15 Plate DOL = 1.15); Is=1.0; Rough Cat B; Partially Exp.; Ce=1.0; Cs=1.00; Ct=1.10
- 3) Unbalanced snow loads have been considered for this design.
- 4) Gable requires continuous bottom chord bearing.
- 5) This truss has been designed for a 10.0 psf bottom chord live load nonconcurrent with any other live loads.
- 6) \* This truss has been designed for a live load of 20.0psf on the bottom chord in all areas where a rectangle 3-6-0 tall by 2-0-0 wide will fit between the bottom chord and any other members, with BCDL = 10.0psf.
- 7) Provide mechanical connection (by others) of truss to bearing plate capable of withstanding 100 lb uplift at joint(s) E, F, G.
- 8) This truss is designed in accordance with the 2018 International Building Code section 2306.1 and referenced standard ANSI/TPI 1.



September 12, 2024

**WARNING - Verify design parameters and READ NOTES ON THIS AND INCLUDED MITEK REFERENCE PAGE MII-7473 rev. 6/30/2020 BEFORE USE.**

Design valid for use only with MiTek® connectors. This design is based only upon parameters shown, and is for an individual building component, not a truss system. Before use, the building designer must verify the applicability of design parameters and properly incorporate this design into the overall building design. Bracing indicated is to prevent buckling of individual truss web and/or chord members only. Additional temporary and permanent bracing is always required for stability and to prevent collapse with possible personal injury and property damage. For general guidance regarding the fabrication, storage, delivery, erection and bracing of trusses and truss systems, see

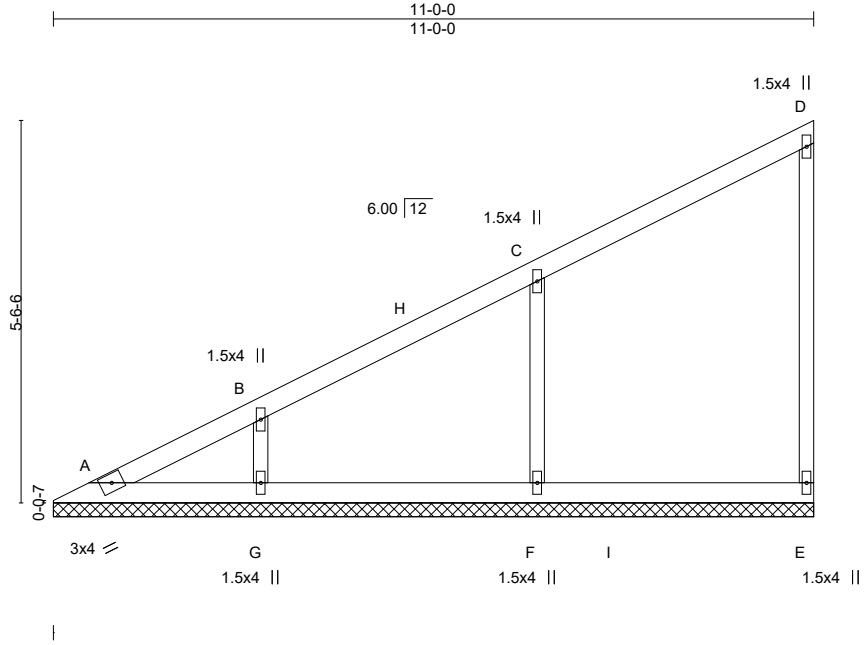
**ANSI/TPI1 Quality Criteria, DSB-89 and BCSI Building Component Safety Information** available from Truss Plate Institute, 2670 Crain Highway, Suite 203 Waldorf, MD 20601



240 Stirling Crescent  
 Bradford, ON. L3Z 4L5

Job	Truss	Truss Type	Qty	Ply	Buildings A-H	U1530889
N0653A	VU3	Valley	20	1		

Alliance Truss (CA), Abbotsford, BC - V2S 7P6, 8.820 s Aug 30 2024 MiTek Industries, Inc. Thu Sep 12 02:48:36 2024 Page 1  
 ID:hFyJDMxrTsEK\_kgkR0vWWVzF1gc-GUyIC4Q3x8cDeL8LMBWGCQFkExRH\_vyBL6ON9yeVqf



Scale = 1:33.3

<b>LOADING</b> (psf)	<b>SPACING-</b>	<b>CSI.</b>	<b>DEFL.</b>	<b>PLATES</b>	<b>GRIP</b>
TCLL 25.0 (Roof Snow=25.0)	2-0-0 Plate Grip DOL 1.15 Lumber DOL 1.15 Rep Stress Incr YES Code IBC2018/TPI2014	TC 0.32 BC 0.14 WB 0.14 Matrix-S	in (loc) l/defl L/d Vert(LL) n/a - n/a 999 Vert(CT) n/a - n/a 999 Horz(CT) -0.00 E n/a n/a	MT20	197/144
TCDL 12.0 BCLL 0.0 * BCDL 10.0				Weight: 33 lb	FT = 20%

**LUMBER-**

TOP CHORD 2x4 SPF No.2  
 BOT CHORD 2x4 SPF No.2  
 WEBS 2x3 SPF No.2  
 OTHERS 2x3 SPF No.2

**BRACING-**

TOP CHORD Structural wood sheathing directly applied or 6-0-0 oc purlins, except end verticals.  
 BOT CHORD Rigid ceiling directly applied or 10-0-0 oc bracing.

**REACTIONS.**

All bearings 11-0-0.  
 (lb) - Max Horz A=159(LC 9)  
 Max Uplift All uplift 100 lb or less at joint(s) E, F, G  
 Max Grav All reactions 250 lb or less at joint(s) A, E except F=569(LC 16), G=333(LC 3)

**FORCES.**

(lb) - Max. Comp./Max. Ten. - All forces 250 (lb) or less except when shown.

**NOTES-**

- 1) Wind: ASCE 7-16; Vult=115mph (3-second gust) Vasd=91mph; TCDL=4.2psf; BCDL=5.0psf; h=30ft; Ke=1.00; Cat. II; Exp B; Enclosed; MWFRS (envelope) gable end zone; cantilever left and right exposed ; end vertical left and right exposed; Lumber DOL=1.33 plate grip DOL=1.33
- 2) TCLL: ASCE 7-16; Pf=25.0 psf (Lum DOL = 1.15 Plate DOL = 1.15); Is=1.0; Rough Cat B; Partially Exp.; Ce=1.0; Cs=1.00; Ct=1.10
- 3) Unbalanced snow loads have been considered for this design.
- 4) Gable requires continuous bottom chord bearing.
- 5) This truss has been designed for a 10.0 psf bottom chord live load nonconcurrent with any other live loads.
- 6) \* This truss has been designed for a live load of 20.0psf on the bottom chord in all areas where a rectangle 3-6-0 tall by 2-0-0 wide will fit between the bottom chord and any other members, with BCDL = 10.0psf.
- 7) Provide mechanical connection (by others) of truss to bearing plate capable of withstanding 100 lb uplift at joint(s) E, F, G.
- 8) This truss is designed in accordance with the 2018 International Building Code section 2306.1 and referenced standard ANSI/TPI 1.



September 12, 2024

**WARNING - Verify design parameters and READ NOTES ON THIS AND INCLUDED MITEK REFERENCE PAGE MII-7473 rev. 6/30/2020 BEFORE USE.**

Design valid for use only with MiTek® connectors. This design is based only upon parameters shown, and is for an individual building component, not a truss system. Before use, the building designer must verify the applicability of design parameters and properly incorporate this design into the overall building design. Bracing indicated is to prevent buckling of individual truss web and/or chord members only. Additional temporary and permanent bracing is always required for stability and to prevent collapse with possible personal injury and property damage. For general guidance regarding the fabrication, storage, delivery, erection and bracing of trusses and truss systems, see

**Safety Information** available from Truss Plate Institute, 2670 Crain Highway, Suite 203 Waldorf, MD 20601  
**ANSI/TPI1 Quality Criteria, DSB-89 and BCSI Building Component**



240 Stirling Crescent  
 Bradford, ON. L3Z 4L5

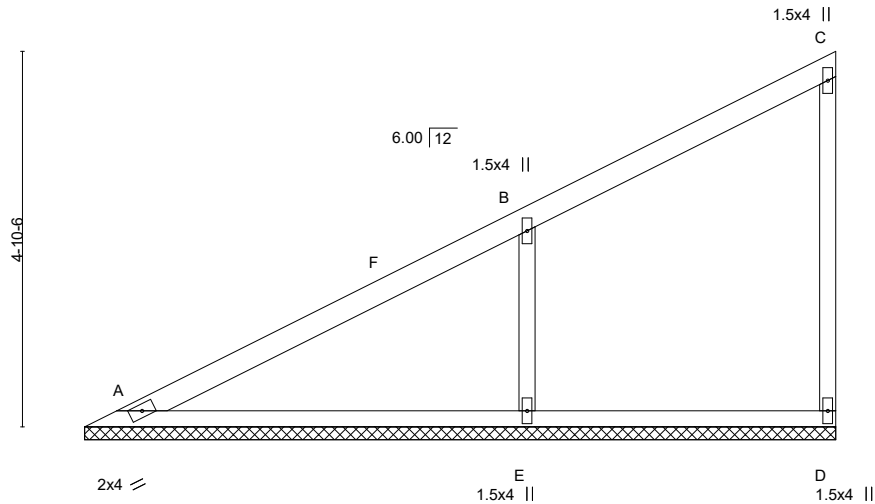


Job	Truss	Truss Type	Qty	Ply	Buildings A-H	U1530890
N0653A	VU4	Valley	20	1		

Alliance Truss (CA), Abbotsford, BC - V2S 7P6,

8.820 s Aug 30 2024 MiTek Industries, Inc. Thu Sep 12 02:48:36 2024 Page 1

ID:hFyjDMxrTsEK\_kgkR0vWWVzFJgc-GUylC4Q3x8cDeL8LMBWGCQFh2xOvv\_myBL6ON9yeVqf  
9-8-13  
9-8-13



Scale = 1:29.9

<b>LOADING</b> (psf)	<b>SPACING-</b>	<b>CSI.</b>	<b>DEFL.</b>	<b>PLATES</b>	<b>GRIP</b>
TCLL 25.0	2-0-0	TC 0.46	in (loc) l/defl L/d	MT20	197/144
(Roof Snow=25.0)	Plate Grip DOL 1.15	BC 0.35	Vert(LL) n/a - n/a 999		
TCDL 12.0	Lumber DOL 1.15	WB 0.13	Vert(CT) n/a - n/a 999		
BCLL 0.0 *	Rep Stress Incr YES	Matrix-S	Horz(CT) -0.00 D n/a n/a		
BCDL 10.0	Code IBC2018/TPI2014			Weight: 25 lb	FT = 20%

**LUMBER-**

TOP CHORD 2x4 SPF No.2  
BOT CHORD 2x3 SPF No.2  
WEBS 2x3 SPF No.2  
OTHERS 2x3 SPF No.2

**BRACING-**

TOP CHORD Structural wood sheathing directly applied or 6-0-0 oc purlins, except end verticals.  
BOT CHORD Rigid ceiling directly applied or 10-0-0 oc bracing.

**REACTIONS.**

(size) A=9-8-13, D=9-8-13, E=9-8-13  
Max Horz A=140(LC 7)  
Max Uplift D=-19(LC 7), E=-110(LC 10)  
Max Grav A=198(LC 16), D=182(LC 16), E=688(LC 16)

**FORCES.** (lb) - Max. Comp./Max. Ten. - All forces 250 (lb) or less except when shown.

WEBS B-E=-571/157

**NOTES-**

- 1) Wind: ASCE 7-16; Vult=115mph (3-second gust) Vasd=91mph; TCDL=4.2psf; BCDL=5.0psf; h=30ft; Ke=1.00; Cat. II; Exp B; Enclosed; MWFRS (envelope) gable end zone; cantilever left and right exposed; end vertical left and right exposed; Lumber DOL=1.33 plate grip DOL=1.33
- 2) TCLL: ASCE 7-16; Pf=25.0 psf (Lum DOL = 1.15 Plate DOL = 1.15); Is=1.0; Rough Cat B; Partially Exp.; Ce=1.0; Cs=1.00; Ct=1.10
- 3) Unbalanced snow loads have been considered for this design.
- 4) Gable requires continuous bottom chord bearing.
- 5) This truss has been designed for a 10.0 psf bottom chord live load nonconcurrent with any other live loads.
- 6) \* This truss has been designed for a live load of 20.0psf on the bottom chord in all areas where a rectangle 3-6-0 tall by 2-0-0 wide will fit between the bottom chord and any other members.
- 7) Provide mechanical connection (by others) of truss to bearing plate capable of withstanding 100 lb uplift at joint(s) D except (jt=lb) E=110.
- 8) This truss is designed in accordance with the 2018 International Building Code section 2306.1 and referenced standard ANSI/TPI 1.



September 12, 2024

**WARNING - Verify design parameters and READ NOTES ON THIS AND INCLUDED MITEK REFERENCE PAGE MII-7473 rev. 6/30/2020 BEFORE USE.**

Design valid for use only with MiTek® connectors. This design is based only upon parameters shown, and is for an individual building component, not a truss system. Before use, the building designer must verify the applicability of design parameters and properly incorporate this design into the overall building design. Bracing indicated is to prevent buckling of individual truss web and/or chord members only. Additional temporary and permanent bracing is always required for stability and to prevent collapse with possible personal injury and property damage. For general guidance regarding the fabrication, storage, delivery, erection and bracing of trusses and truss systems, see

**ANSI/TPI1 Quality Criteria, DSB-89 and BCSI Building Component Safety Information** available from Truss Plate Institute, 2670 Crain Highway, Suite 203 Waldorf, MD 20601



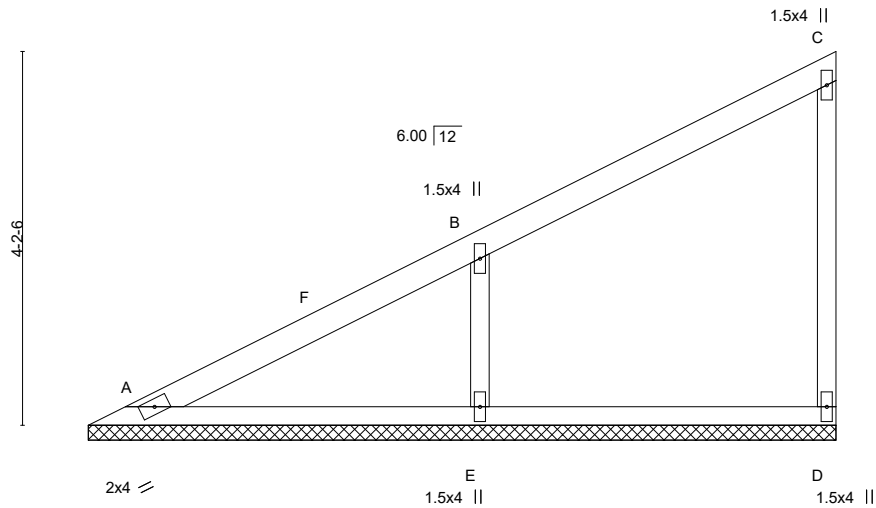
240 Stirling Crescent  
Bradford, ON. L3Z 4L5

Job	Truss	Truss Type	Qty	Ply	Buildings A-H	U1530891
N0653A	VU5	Valley	20	1		

Alliance Truss (CA), Abbotsford, BC - V2S 7P6,

8.820 s Aug 30 2024 MiTek Industries, Inc. Thu Sep 12 02:48:37 2024 Page 1

ID:hFyjDMxrTsEK\_kgkR0vWWWzFIgc-kgWgPQRhhSk4GVjXvv1VldouPLmoeSW6P?rybybyVqe  
8-4-13  
8-4-13



Scale = 1:25.9

LOADING (psf)	SPACING-	CSI.	DEFL.	in (loc)	l/defl	L/d	PLATES	GRIP
TCLL 25.0	2-0-0	TC 0.36	Vert(LL)	n/a	-	n/a	MT20	197/144
(Roof Snow=25.0)	Plate Grip DOL 1.15	BC 0.25	Vert(CT)	n/a	-	n/a		
TCDL 12.0	Lumber DOL 1.15	WB 0.10	Horz(CT)	-0.00	D	n/a		
BCLL 0.0 *	Rep Stress Incr YES	Matrix-P						
BCDL 10.0	Code IBC2018/TPI2014						Weight: 21 lb	FT = 20%

**LUMBER-**

TOP CHORD 2x4 SPF No.2  
BOT CHORD 2x3 SPF No.2  
WEBS 2x3 SPF No.2  
OTHERS 2x3 SPF No.2

**BRACING-**

TOP CHORD Structural wood sheathing directly applied or 6-0-0 oc purlins, except end verticals.  
BOT CHORD Rigid ceiling directly applied or 10-0-0 oc bracing.

**REACTIONS.**

(size) A=8-4-13, D=8-4-13, E=8-4-13  
Max Horz A=120(LC 7)  
Max Uplift D=-19(LC 7), E=-94(LC 10)  
Max Grav A=136(LC 16), D=199(LC 16), E=607(LC 16)

**FORCES.** (lb) - Max. Comp./Max. Ten. - All forces 250 (lb) or less except when shown.

WEBS B-E=-510/142

**NOTES-**

- 1) Wind: ASCE 7-16; Vult=115mph (3-second gust) Vasd=91mph; TCDL=4.2psf; BCDL=5.0psf; h=30ft; Ke=1.00; Cat. II; Exp B; Enclosed; MWFRS (envelope) gable end zone; cantilever left and right exposed; end vertical left and right exposed; Lumber DOL=1.33 plate grip DOL=1.33
- 2) TCLL: ASCE 7-16; Pf=25.0 psf (Lum DOL = 1.15 Plate DOL = 1.15); Is=1.0; Rough Cat B; Partially Exp.; Ce=1.0; Cs=1.00; Ct=1.10
- 3) Unbalanced snow loads have been considered for this design.
- 4) Gable requires continuous bottom chord bearing.
- 5) This truss has been designed for a 10.0 psf bottom chord live load nonconcurrent with any other live loads.
- 6) \* This truss has been designed for a live load of 20.0psf on the bottom chord in all areas where a rectangle 3-6-0 tall by 2-0-0 wide will fit between the bottom chord and any other members.
- 7) Provide mechanical connection (by others) of truss to bearing plate capable of withstanding 100 lb uplift at joint(s) D, E.
- 8) This truss is designed in accordance with the 2018 International Building Code section 2306.1 and referenced standard ANSI/TPI 1.



September 12, 2024

**WARNING - Verify design parameters and READ NOTES ON THIS AND INCLUDED MITEK REFERENCE PAGE MII-7473 rev. 6/30/2020 BEFORE USE.**

Design valid for use only with MiTek® connectors. This design is based only upon parameters shown, and is for an individual building component, not a truss system. Before use, the building designer must verify the applicability of design parameters and properly incorporate this design into the overall building design. Bracing indicated is to prevent buckling of individual truss web and/or chord members only. Additional temporary and permanent bracing is always required for stability and to prevent collapse with possible personal injury and property damage. For general guidance regarding the fabrication, storage, delivery, erection and bracing of trusses and truss systems, see

**ANSI/TPI1 Quality Criteria, DSB-89 and BCSI Building Component Safety Information** available from Truss Plate Institute, 2670 Crain Highway, Suite 203 Waldorf, MD 20601



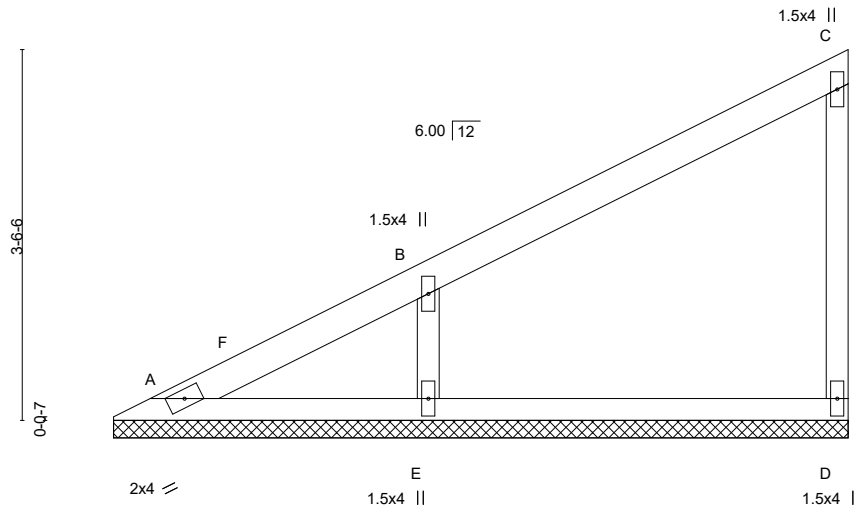
240 Stirling Crescent  
Bradford, ON. L3Z 4L5

Job	Truss	Truss Type	Qty	Ply	Buildings A-H	U1530892
N0653A	VU6	Valley	20	1		

Alliance Truss (CA), Abbotsford, BC - V2S 7P6,

8.820 s Aug 30 2024 MiTek Industries, Inc. Thu Sep 12 02:48:37 2024 Page 1

ID:hFyjDMxrTsEK\_kgkR0vWWVzFfgc-kgWgPQRhhSk4GVjXvv1VldovHLMoeSm6P?rybyveVqe  
7-0-0  
7-0-0



Scale = 1:22.0

LOADING (psf)	SPACING-	2-0-0	CSI.	DEFL.	in (loc)	l/defl	L/d	PLATES	GRIP	
TCLL 25.0	Plate Grip DOL	1.15	TC 0.30	Vert(LL)	n/a	-	n/a	999	MT20	197/144
(Roof Snow=25.0)	Lumber DOL	1.15	BC 0.21	Vert(CT)	n/a	-	n/a	999		
TCDL 12.0	Rep Stress Incr	YES	WB 0.08	Horz(CT)	-0.00	D	n/a	n/a		
BCLL 0.0 *	Code IBC2018/TPI2014		Matrix-P							
BCDL 10.0									Weight: 17 lb	FT = 20%

**LUMBER-**

TOP CHORD 2x4 SPF No.2  
BOT CHORD 2x3 SPF No.2  
WEBS 2x3 SPF No.2  
OTHERS 2x3 SPF No.2

**BRACING-**

TOP CHORD Structural wood sheathing directly applied or 6-0-0 oc purlins, except end verticals.  
BOT CHORD Rigid ceiling directly applied or 10-0-0 oc bracing.

**REACTIONS.**

(size) A=7-0-0, D=7-0-0, E=7-0-0  
Max Horz A=99(LC 7)  
Max Uplift D=-19(LC 10), E=-81(LC 10)  
Max Grav A=74(LC 20), D=209(LC 16), E=543(LC 16)

**FORCES.** (lb) - Max. Comp./Max. Ten. - All forces 250 (lb) or less except when shown.

WEBS B-E=-460/122

**NOTES-**

- 1) Wind: ASCE 7-16; Vult=115mph (3-second gust) Vasd=91mph; TCDL=4.2psf; BCDL=5.0psf; h=30ft; Ke=1.00; Cat. II; Exp B; Enclosed; MWFRS (envelope) gable end zone; cantilever left and right exposed ; end vertical left and right exposed; Lumber DOL=1.33 plate grip DOL=1.33
- 2) TCLL: ASCE 7-16; Pf=25.0 psf (Lum DOL = 1.15 Plate DOL = 1.15); Is=1.0; Rough Cat B; Partially Exp.; Ce=1.0; Cs=1.00; Ct=1.10
- 3) Unbalanced snow loads have been considered for this design.
- 4) Gable requires continuous bottom chord bearing.
- 5) This truss has been designed for a 10.0 psf bottom chord live load nonconcurrent with any other live loads.
- 6) \* This truss has been designed for a live load of 20.0psf on the bottom chord in all areas where a rectangle 3-6-0 tall by 2-0-0 wide will fit between the bottom chord and any other members.
- 7) Provide mechanical connection (by others) of truss to bearing plate capable of withstanding 100 lb uplift at joint(s) D, E.
- 8) This truss is designed in accordance with the 2018 International Building Code section 2306.1 and referenced standard ANSI/TPI 1.



September 12, 2024

**WARNING - Verify design parameters and READ NOTES ON THIS AND INCLUDED MITEK REFERENCE PAGE MII-7473 rev. 6/30/2020 BEFORE USE.**

Design valid for use only with MiTek® connectors. This design is based only upon parameters shown, and is for an individual building component, not a truss system. Before use, the building designer must verify the applicability of design parameters and properly incorporate this design into the overall building design. Bracing indicated is to prevent buckling of individual truss web and/or chord members only. Additional temporary and permanent bracing is always required for stability and to prevent collapse with possible personal injury and property damage. For general guidance regarding the fabrication, storage, delivery, erection and bracing of trusses and truss systems, see

**ANSI/TPI1 Quality Criteria, DSB-89 and BCSI Building Component Safety Information** available from Truss Plate Institute, 2670 Crain Highway, Suite 203 Waldorf, MD 20601



240 Stirling Crescent  
Bradford, ON. L3Z 4L5

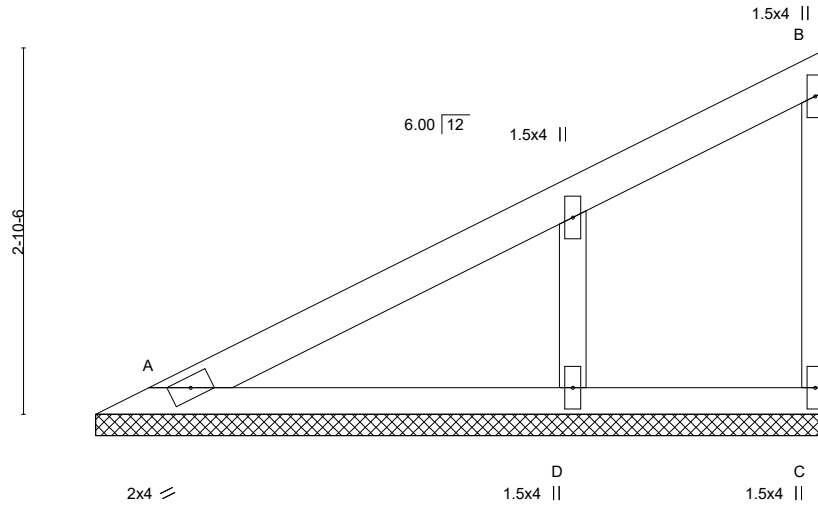
Job	Truss	Truss Type	Qty	Ply	Buildings A-H	U1530893
N0653A	VU7	GABLE	20	1		

Alliance Truss (CA), Abbotsford, BC - V2S 7P6,

8.820 s Aug 30 2024 MiTek Industries, Inc. Thu Sep 12 02:48:38 2024 Page 1

ID:hFyjDMxrTsEK\_kgkR0vWWVzFlgc-Cs43dmSJSmsxufHkTcYkrlY6i7INwJFeebVS1yeVqd

5-8-13  
5-8-13



Scale = 1:18.0

LOADING (psf)	SPACING-	CSI.	DEFL.	in (loc)	l/defl	L/d	PLATES	GRIP
TCLL 25.0	2-0-0	TC 0.81	Vert(LL)	n/a	-	n/a	MT20	197/144
(Roof Snow=25.0)	Plate Grip DOL 1.15	BC 0.14	Vert(CT)	n/a	-	n/a		
TCDL 12.0	Lumber DOL 1.15	WB 0.00	Horz(CT)	-0.00	C	n/a		
BCLL 0.0 *	Rep Stress Incr YES	Matrix-P						
BCDL 10.0	Code IBC2018/TPI2014						Weight: 14 lb	FT = 20%

**LUMBER-**

TOP CHORD 2x4 SPF No.2  
 BOT CHORD 2x3 SPF No.2  
 WEBS 2x3 SPF No.2  
 OTHERS 2x3 SPF No.2

**BRACING-**

TOP CHORD Structural wood sheathing directly applied or 5-8-13 oc purlins, except end verticals.  
 BOT CHORD Rigid ceiling directly applied or 10-0-0 oc bracing.

**REACTIONS.**

(size) A=5-8-13, C=5-8-13, D=5-8-13  
 Max Horz A=79(LC 9)  
 Max Uplift A=-33(LC 10), C=-61(LC 10)  
 Max Grav A=311(LC 16), C=294(LC 16), D=134(LC 5)

**FORCES.** (lb) - Max. Comp./Max. Ten. - All forces 250 (lb) or less except when shown.

TOP CHORD B-C=-286/65

**NOTES-**

- 1) Wind: ASCE 7-16; Vult=115mph (3-second gust) Vasd=91mph; TCDL=4.2psf; BCDL=5.0psf; h=30ft; Ke=1.00; Cat. II; Exp B; Enclosed; MWFRS (envelope) gable end zone; cantilever left and right exposed; end vertical left and right exposed; Lumber DOL=1.33 plate grip DOL=1.33
- 2) TCLL: ASCE 7-16; Pf=25.0 psf (Lum DOL = 1.15 Plate DOL = 1.15); Is=1.0; Rough Cat B; Partially Exp.; Ce=1.0; Cs=1.00; Ct=1.10
- 3) Unbalanced snow loads have been considered for this design.
- 4) Gable requires continuous bottom chord bearing.
- 5) This truss has been designed for a 10.0 psf bottom chord live load nonconcurrent with any other live loads.
- 6) \* This truss has been designed for a live load of 20.0psf on the bottom chord in all areas where a rectangle 3-6-0 tall by 2-0-0 wide will fit between the bottom chord and any other members.
- 7) Provide mechanical connection (by others) of truss to bearing plate capable of withstanding 100 lb uplift at joint(s) A, C.
- 8) This truss is designed in accordance with the 2018 International Building Code section 2306.1 and referenced standard ANSI/TPI 1.



September 12, 2024

**WARNING - Verify design parameters and READ NOTES ON THIS AND INCLUDED MITEK REFERENCE PAGE MII-7473 rev. 6/30/2020 BEFORE USE.**

Design valid for use only with MiTek® connectors. This design is based only upon parameters shown, and is for an individual building component, not a truss system. Before use, the building designer must verify the applicability of design parameters and properly incorporate this design into the overall building design. Bracing indicated is to prevent buckling of individual truss web and/or chord members only. Additional temporary and permanent bracing is always required for stability and to prevent collapse with possible personal injury and property damage. For general guidance regarding the fabrication, storage, delivery, erection and bracing of trusses and truss systems, see

**ANSI/TPI1 Quality Criteria, DSB-89 and BCSI Building Component Safety Information** available from Truss Plate Institute, 2670 Crain Highway, Suite 203 Waldorf, MD 20601



240 Stirling Crescent  
 Bradford, ON. L3Z 4L5

Job	Truss	Truss Type	Qty	Ply	Buildings A-H	U1530894
N0653A	VU8	Valley	20	1		

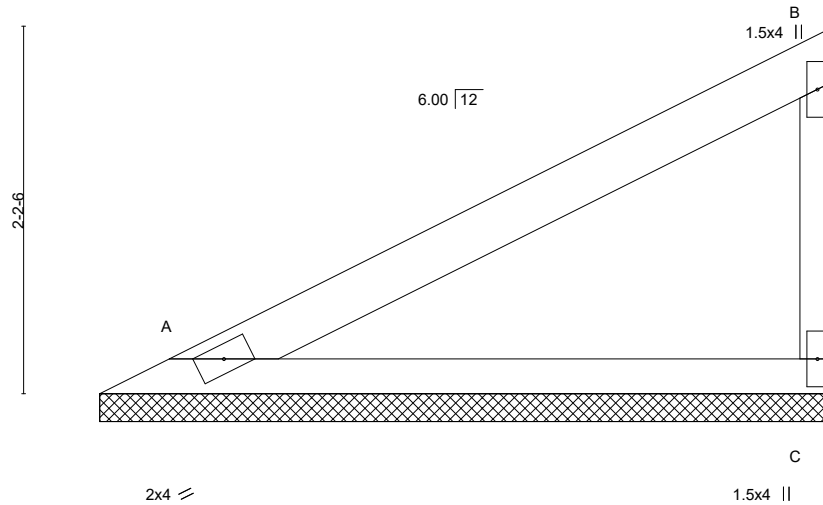
Alliance Truss (CA),

Abbotsford, BC - V2S 7P6,

8.820 s Aug 30 2024 MiTek Industries, Inc. Thu Sep 12 02:48:38 2024 Page 1

ID:hFyjDMxrTsEK\_kgkR0vWWVzF1gc-Cs43dmSJSmsxufHKtCYklrL2SI5KNwJFeebVS1yeVqd

4-4-13  
4-4-13



Scale = 1:13.8

LOADING (psf)	SPACING-	2-0-0	CSI.	DEFL.	in (loc)	l/defl	L/d	PLATES	GRIP
TCLL 25.0	Plate Grip DOL	1.15	TC 0.40	Vert(LL)	n/a	-	n/a	MT20	197/144
(Roof Snow=25.0)	Lumber DOL	1.15	BC 0.29	Vert(CT)	n/a	-	n/a		
TCDL 12.0	Rep Stress Incr	YES	WB 0.00	Horz(CT)	-0.00	C	n/a		
BCLL 0.0 *	Code IBC2018/TPI2014		Matrix-P					Weight: 10 lb	FT = 20%
BCDL 10.0									

**LUMBER-**

TOP CHORD 2x4 SPF No.2  
BOT CHORD 2x3 SPF No.2  
WEBS 2x3 SPF No.2

**BRACING-**

TOP CHORD Structural wood sheathing directly applied or 4-4-13 oc purlins, except end verticals.  
BOT CHORD Rigid ceiling directly applied or 10-0-0 oc bracing.

**REACTIONS.**

(size) A=4-4-13, C=4-4-13  
Max Horz A=58(LC 9)  
Max Uplift A=-15(LC 10), C=-29(LC 10)  
Max Grav A=239(LC 16), C=239(LC 16)

**FORCES.** (lb) - Max. Comp./Max. Ten. - All forces 250 (lb) or less except when shown.

**NOTES-**

- 1) Wind: ASCE 7-16; Vult=115mph (3-second gust) Vasd=91mph; TCDL=4.2psf; BCDL=5.0psf; h=30ft; Ke=1.00; Cat. II; Exp B; Enclosed; MWFRS (envelope) gable end zone; cantilever left and right exposed; end vertical left and right exposed; Lumber DOL=1.33 plate grip DOL=1.33
- 2) TCLL: ASCE 7-16; Pf=25.0 psf (Lum DOL = 1.15 Plate DOL = 1.15); Is=1.0; Rough Cat B; Partially Exp.; Ce=1.0; Cs=1.00; Ct=1.10
- 3) Unbalanced snow loads have been considered for this design.
- 4) Gable requires continuous bottom chord bearing.
- 5) This truss has been designed for a 10.0 psf bottom chord live load nonconcurrent with any other live loads.
- 6) \* This truss has been designed for a live load of 20.0psf on the bottom chord in all areas where a rectangle 3-6-0 tall by 2-0-0 wide will fit between the bottom chord and any other members.
- 7) Provide mechanical connection (by others) of truss to bearing plate capable of withstanding 100 lb uplift at joint(s) A, C.
- 8) This truss is designed in accordance with the 2018 International Building Code section 2306.1 and referenced standard ANSI/TPI 1.



September 12, 2024

**WARNING - Verify design parameters and READ NOTES ON THIS AND INCLUDED MITEK REFERENCE PAGE MII-7473 rev. 6/30/2020 BEFORE USE.**

Design valid for use only with MiTek® connectors. This design is based only upon parameters shown, and is for an individual building component, not a truss system. Before use, the building designer must verify the applicability of design parameters and properly incorporate this design into the overall building design. Bracing indicated is to prevent buckling of individual truss web and/or chord members only. Additional temporary and permanent bracing is always required for stability and to prevent collapse with possible personal injury and property damage. For general guidance regarding the fabrication, storage, delivery, erection and bracing of trusses and truss systems, see

**Safety Information** available from Truss Plate Institute, 2670 Crain Highway, Suite 203 Waldorf, MD 20601

ANSI/TPI1 Quality Criteria, DSB-89 and BCSI Building Component



240 Stirling Crescent  
Bradford, ON. L3Z 4L5

Job N0653A	Truss VU9	Truss Type Valley	Qty 20	Ply 1	Buildings A-H Job Reference (optional)	U1530895
---------------	--------------	----------------------	-----------	----------	---	----------

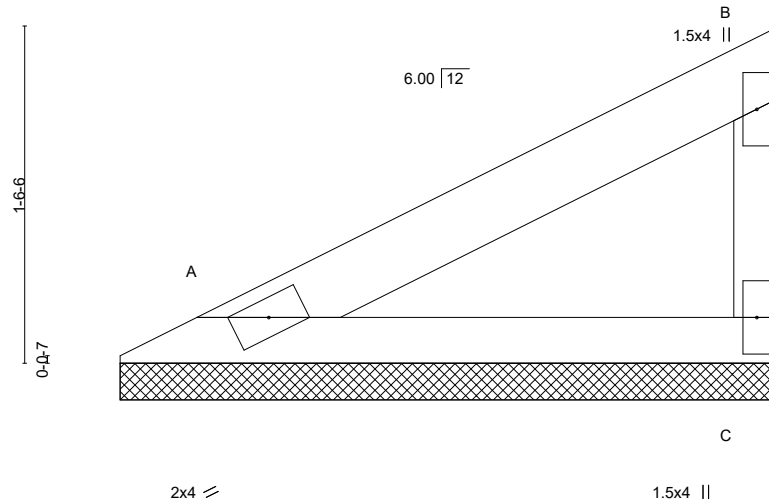
Alliance Truss (CA), Abbotsford, BC - V2S 7P6,

8.820 s Aug 30 2024 MiTek Industries, Inc. Thu Sep 12 02:48:38 2024 Page 1

ID:hFyjDMxrTsEK\_kgkR0vWWVzF1gc-Cs43dmSJSmsxufHkTcYkIrL6RI86NwJFeebVS1yeVqd

3-0-0  
3-0-0

Scale = 1:10.5



<b>LOADING</b> (psf)	<b>SPACING-</b>	<b>CSI.</b>	<b>DEFL.</b>	<b>PLATES</b>	<b>GRIP</b>
TCLL 25.0 (Roof Snow=25.0)	2-0-0 Plate Grip DOL 1.15 Lumber DOL 1.15	TC 0.15 BC 0.11 WB 0.00 Matrix-P	in (loc) l/defl L/d Vert(LL) n/a - n/a 999 Vert(CT) n/a - n/a 999 Horz(CT) -0.00 C n/a n/a	MT20	197/144
TCDL 12.0 BCLL 0.0 * BCDL 10.0	Rep Stress Incr YES Code IBC2018/TPI2014			Weight: 7 lb	FT = 20%

**LUMBER-**

TOP CHORD 2x4 SPF No.2  
BOT CHORD 2x3 SPF No.2  
WEBS 2x3 SPF No.2

**BRACING-**

TOP CHORD Structural wood sheathing directly applied or 3-0-13 oc purlins, except end verticals.  
BOT CHORD Rigid ceiling directly applied or 10-0-0 oc bracing.

**REACTIONS.**

(size) A=3-0-0, C=3-0-0  
Max Horz A=37(LC 7)  
Max Uplift A=-10(LC 10), C=-19(LC 10)  
Max Grav A=147(LC 16), C=147(LC 16)

**FORCES.** (lb) - Max. Comp./Max. Ten. - All forces 250 (lb) or less except when shown.

**NOTES-**

- 1) Wind: ASCE 7-16; Vult=115mph (3-second gust) Vasd=91mph; TCDL=4.2psf; BCDL=5.0psf; h=30ft; Ke=1.00; Cat. II; Exp B; Enclosed; MWFRS (envelope) gable end zone; cantilever left and right exposed; end vertical left and right exposed; Lumber DOL=1.33 plate grip DOL=1.33
- 2) TCLL: ASCE 7-16; Pf=25.0 psf (Lum DOL = 1.15 Plate DOL = 1.15); Is=1.0; Rough Cat B; Partially Exp.; Ce=1.0; Cs=1.00; Ct=1.10
- 3) Unbalanced snow loads have been considered for this design.
- 4) Gable requires continuous bottom chord bearing.
- 5) This truss has been designed for a 10.0 psf bottom chord live load nonconcurrent with any other live loads.
- 6) \* This truss has been designed for a live load of 20.0psf on the bottom chord in all areas where a rectangle 3-6-0 tall by 2-0-0 wide will fit between the bottom chord and any other members.
- 7) Provide mechanical connection (by others) of truss to bearing plate capable of withstanding 100 lb uplift at joint(s) A, C.
- 8) This truss is designed in accordance with the 2018 International Building Code section 2306.1 and referenced standard ANSI/TPI 1.



September 12, 2024

**WARNING - Verify design parameters and READ NOTES ON THIS AND INCLUDED MITEK REFERENCE PAGE MII-7473 rev. 6/30/2020 BEFORE USE.**

Design valid for use only with MiTek® connectors. This design is based only upon parameters shown, and is for an individual building component, not a truss system. Before use, the building designer must verify the applicability of design parameters and properly incorporate this design into the overall building design. Bracing indicated is to prevent buckling of individual truss web and/or chord members only. Additional temporary and permanent bracing is always required for stability and to prevent collapse with possible personal injury and property damage. For general guidance regarding the fabrication, storage, delivery, erection and bracing of trusses and truss systems, see

**Safety Information** available from Truss Plate Institute, 2670 Crain Highway, Suite 203 Waldorf, MD 20601



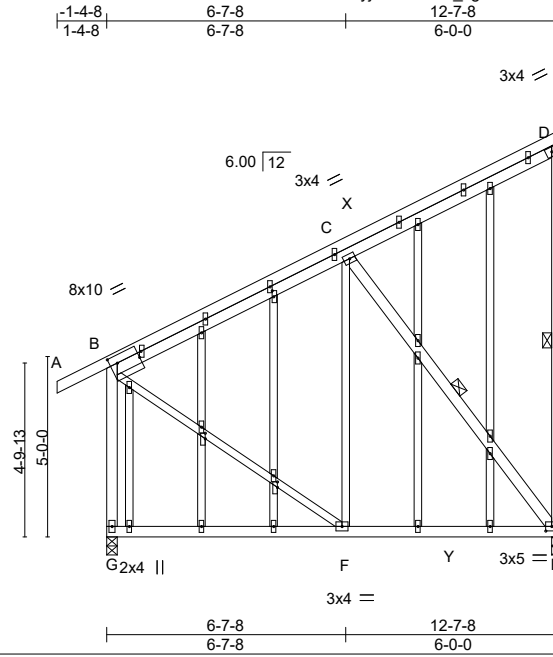
240 Stirling Crescent  
Bradford, ON. L3Z 4L5

Job	Truss	Truss Type	Qty	Ply	Buildings A-H	U1530810
N0653A	W1	GABLE	10	1		

Alliance Truss (CA), Abbotsford, BC - V2S 7P6,

8.630 s Jul 12 2024 MiTek Industries, Inc. Thu Sep 12 02:47:50 2024 Page 1

ID:hFyjDMxrTsEK\_kgkR0vWWVzFfgc-RfC?PsB70Hq3NSgPqnL8w3ulTXbGKWrCDoi7J4zJC?f



Scale: 3/16"=1'

Plate Offsets (X,Y)-- [B:0-2-0,0-0-7], [B:0-2-8,0-2-8], [E:0-2-0,0-1-8], [P:0-1-13,0-0-0], [Q:0-2-0,0-0-8], [S:0-1-13,0-0-0]

LOADING (psf)	SPACING-	CSI.	DEFL.	in (loc)	l/defl	L/d	PLATES	GRIP
TCLL 25.0 (Roof Snow=25.0)	2-0-0 Plate Grip DOL 1.15	TC 0.68	Vert(LL)	-0.05 E-F	>999	360	MT20	197/144
TCDL 12.0	Lumber DOL 1.15	BC 0.37	Vert(CT)	-0.09 F-G	>999	240		
BCLL 0.0 *	Rep Stress Incr YES	WB 0.24	Horz(CT)	-0.01 E	n/a	n/a		
BCDL 10.0	Code IBC2018/TPI2014	Matrix-MS	Wind(LL)	-0.04 E-F	>999	240	Weight: 115 lb	FT = 20%

**LUMBER-**

TOP CHORD 2x4 SPF No.2  
 BOT CHORD 2x4 SPF No.2  
 WEBS 2x4 SPF No.2 \*Except\*  
 C-F,B-F: 2x3 SPF No.2  
 OTHERS 2x3 SPF No.2

**BRACING-**

TOP CHORD Structural wood sheathing directly applied or 6-0-0 oc purlins, except end verticals.  
 BOT CHORD Rigid ceiling directly applied or 6-0-0 oc bracing.  
 WEBS 1 Row at midpt D-E, C-E

**REACTIONS.**

(size) G=0-3-8, E=0-3-8  
 Max Horz G=323(LC 7)  
 Max Uplift G=-60(LC 10), E=-141(LC 7)  
 Max Grav G=754(LC 21), E=741(LC 3)

**FORCES.** (lb) - Max. Comp./Max. Ten. - All forces 250 (lb) or less except when shown.

TOP CHORD B-C=-469/36, D-E=-273/56, B-G=-689/88  
 BOT CHORD F-G=-299/136, E-F=-140/347  
 WEBS C-E=-544/134, B-F=-19/443

**NOTES-**

- 1) Wind: ASCE 7-16; Vult=115mph (3-second gust) Vasd=91mph; TCDL=4.2psf; BCDL=5.0psf; h=30ft; Ke=1.00; Cat. II; Exp B; Enclosed; MWFRS (envelope) gable end zone; cantilever left and right exposed ; end vertical left and right exposed; Lumber DOL=1.33 plate grip DOL=1.33
- 2) Truss designed for wind loads in the plane of the truss only. For studs exposed to wind (normal to the face), see Standard Industry Gable End Details as applicable, or consult qualified building designer as per ANSI/TPI 1.
- 3) TCLL: ASCE 7-16; Pf=25.0 psf (Lum DOL=1.15 Plate DOL=1.15); Is=1.0; Rough Cat B; Partially Exp.; Ce=1.0; Cs=1.00; Ct=1.10
- 4) Unbalanced snow loads have been considered for this design.
- 5) This truss has been designed for greater of min roof live load of 18.0 psf or 2.00 times flat roof load of 25.0 psf on overhangs non-concurrent with other live loads.
- 6) All plates are 1.5x4 MT20 unless otherwise indicated.
- 7) Gable studs spaced at 2-0-0 oc.
- 8) This truss has been designed for a 10.0 psf bottom chord live load nonconcurrent with any other live loads.
- 9) \* This truss has been designed for a live load of 20.0psf on the bottom chord in all areas where a rectangle 3-6-0 tall by 2-0-0 wide will fit between the bottom chord and any other members, with BCDL = 10.0psf.
- 10) Provide mechanical connection (by others) of truss to bearing plate capable of withstanding 100 lb uplift at joint(s) G except (jt=lb) E=141.
- 11) This truss is designed in accordance with the 2018 International Building Code section 2306.1 and referenced standard ANSI/TPI 1.
- 12) No notches allowed in overhang and 10408 from left end and 0 from right end or 12" along rake from scarf, whichever is larger. Minimum 1.5x4 tie plates required at 2-0-0 o.c. maximum between the stacking chords. For edge-wise notching, provide at least one tie plate between each notch.



September 12, 2024

**WARNING - Verify design parameters and READ NOTES ON THIS AND INCLUDED MITEK REFERENCE PAGE MII-7473 rev. 6/30/2020 BEFORE USE.**

Design valid for use only with MiTek® connectors. This design is based only upon parameters shown, and is for an individual building component, not a truss system. Before use, the building designer must verify the applicability of design parameters and properly incorporate this design into the overall building design. Bracing indicated is to prevent buckling of individual truss web and/or chord members only. Additional temporary and permanent bracing is always required for stability and to prevent collapse with possible personal injury and property damage. For general guidance regarding the fabrication, storage, delivery, erection and bracing of trusses and truss systems, see

**ANSI/TPI1 Quality Criteria, DSB-89 and BCSI Building Component**

**Safety Information** available from Truss Plate Institute, 2670 Crain Highway, Suite 203 Waldorf, MD 20601



240 Stirling Crescent  
 Bradford, ON. L3Z 4L5

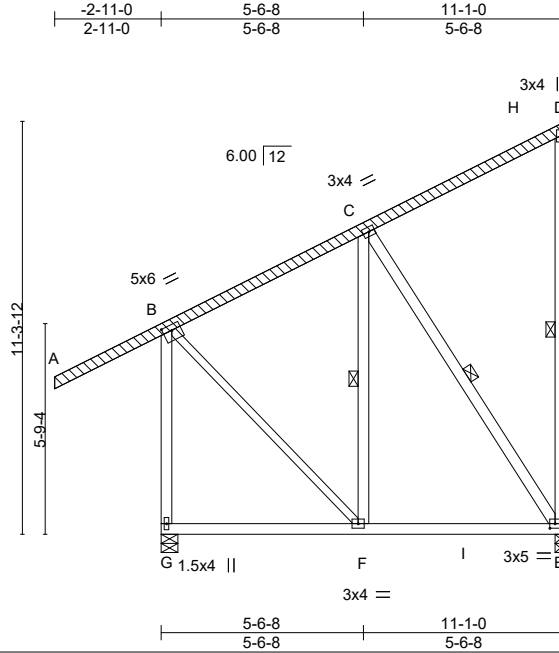
Job	Truss	Truss Type	Qty	Ply	Buildings A-H	U1530811
N0653A	W2	Monopitch	20	1		

Alliance Truss (CA), Abbotsford, BC - V2S 7P6,

8.630 s Jul 12 2024 MiTek Industries, Inc. Thu Sep 12 02:47:51 2024 Page 1

Job Reference (optional)

ID:hFyjDMxrTsEK\_kgkR0vWWVzFfgc-RfC?PsB70Hq3NSgPqnL8w3ulTXbGKWrCDoi7J4zJC?f



Scale = 1:63.1

Plate Offsets (X,Y)-- [B:0-3-0,0-1-12], [D:Edge,0-1-12], [E:0-1-12,0-1-8]

LOADING (psf)	SPACING-	CSI.	DEFL.	in (loc)	l/defl	L/d	PLATES	GRIP
TCLL 25.0 (Roof Snow=25.0)	2-0-0 Plate Grip DOL 1.15	TC 0.63	Vert(LL)	-0.04	E-F	>999	MT20	197/144
TCDL 12.0	Lumber DOL 1.15	BC 0.29	Vert(CT)	-0.06	E-F	>999		
BCLL 0.0 *	Rep Stress Incr YES	WB 0.18	Horz(CT)	-0.00	E	n/a		n/a
BCDL 10.0	Code IBC2018/TPI2014	Matrix-MS	Wind(LL)	-0.03	E-F	>999		240
							Weight: 93 lb	FT = 20%

#### LUMBER-

TOP CHORD 2x4 SPF No.2  
 BOT CHORD 2x4 SPF No.2  
 WEBS 2x4 SPF No.2 \*Except\*  
 B-F: 2x3 SPF No.2  
 OTHERS 2x4 SPF No.2  
 LBR SCAB A-D 2x4 SPF No.2 one side

#### BRACING-

TOP CHORD Structural wood sheathing directly applied or 6-0-0 oc purlins, except end verticals.  
 BOT CHORD Rigid ceiling directly applied or 6-0-0 oc bracing.  
 WEBS 1 Row at midpt D-E, C-F, C-E

#### REACTIONS.

(size) G=0-5-8, E=0-3-8  
 Max Horz G=345(LC 7)  
 Max Uplift G=-79(LC 10), E=-175(LC 7)  
 Max Grav G=817(LC 17), E=637(LC 3)

#### FORCES. (lb) - Max. Comp./Max. Ten. - All forces 250 (lb) or less except when shown.

TOP CHORD B-C=-356/37, D-E=-261/53, B-G=-774/103  
 BOT CHORD F-G=-322/137, E-F=-153/251  
 WEBS C-E=-408/155, B-F=-19/412

#### NOTES-

- Attached 15-9-9 scab A to D, front face(s) 2x4 SPF No.2 with 1 row(s) of 10d (0.131"x3") nails spaced 9" o.c.except : starting at 2-5-1 from end at joint A, nail 1 row(s) at 4" o.c. for 2-0-0; starting at 8-5-8 from end at joint A, nail 1 row(s) at 7" o.c. for 2-0-0; starting at 13-5-14 from end at joint A, nail 1 row(s) at 7" o.c. for 2-0-0.
- Wind: ASCE 7-16; Vult=115mph (3-second gust) Vasd=91mph; TCDL=4.2psf; BCDL=5.0psf; h=30ft; Ke=1.00; Cat. II; Exp B; Enclosed; MWFRS (envelope) gable end zone; cantilever left and right exposed ; end vertical left and right exposed; Lumber DOL=1.33 plate grip DOL=1.33
- TCLL: ASCE 7-16; Pf=25.0 psf (Lum DOL=1.15 Plate DOL=1.15); Is=1.0; Rough Cat B; Partially Exp.; Ce=1.0; Cs=1.0; Ct=1.10
- Unbalanced snow loads have been considered for this design.
- This truss has been designed for greater of min roof live load of 18.0 psf or 2.00 times flat roof load of 25.0 psf on overhangs non-concurrent with other live loads.
- This truss has been designed for a 10.0 psf bottom chord live load nonconcurrent with any other live loads.
- \* This truss has been designed for a live load of 20.0psf on the bottom chord in all areas where a rectangle 3-6-0 tall by 2-0-0 wide will fit between the bottom chord and any other members, with BCDL = 10.0psf.
- Provide mechanical connection (by others) of truss to bearing plate capable of withstanding 100 lb uplift at joint(s) G except (jt=lb) E=175.
- This truss is designed in accordance with the 2018 International Building Code section 2306.1 and referenced standard ANSI/TPI 1.



September 12, 2024

**WARNING - Verify design parameters and READ NOTES ON THIS AND INCLUDED MITEK REFERENCE PAGE MII-7473 rev. 6/30/2020 BEFORE USE.**

Design valid for use only with MiTek® connectors. This design is based only upon parameters shown, and is for an individual building component, not a truss system. Before use, the building designer must verify the applicability of design parameters and properly incorporate this design into the overall building design. Bracing indicated is to prevent buckling of individual truss web and/or chord members only. Additional temporary and permanent bracing is always required for stability and to prevent collapse with possible personal injury and property damage. For general guidance regarding the fabrication, storage, delivery, erection and bracing of trusses and truss systems, see

**Safety Information** available from Truss Plate Institute, 2670 Crain Highway, Suite 203 Waldorf, MD 20601

ANSI/TPI1 Quality Criteria, DSB-89 and BCSI Building Component



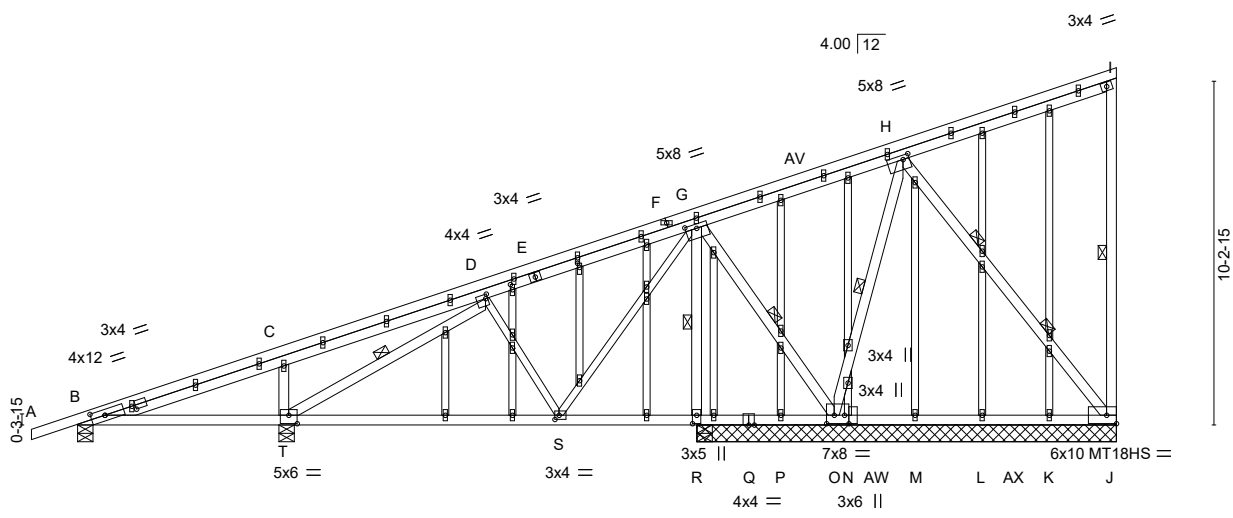
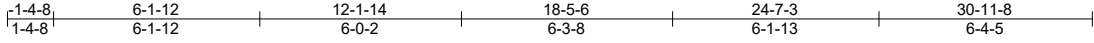
240 Stirling Crescent  
 Bradford, ON. L3Z 4L5



Job N0653A	Truss X1	Truss Type GABLE	Qty 8	Ply 1	Buildings A-H Job Reference (optional)	U1530812
---------------	-------------	---------------------	----------	----------	---	----------

Alliance Truss (CA), Abbotsford, BC - V2S 7P6, 8.630 s Jul 12 2024 MiTek Industries, Inc. Thu Sep 12 02:47:52 2024 Page 1

ID:hFyjDMxrTsEK\_kgkR0vWWVzFgC-RfC?PsB70Hq3NSgPqnL8w3ulTXbGKWrCDoi7J4zJC7f



Scale = 1:68.7

Plate Offsets (X,Y)--	[B:0-5-0,0-2-0], [B:0-11-7,0-1-8], [D:0-0-12,0-1-8], [G:0-4-0,0-1-8], [H:0-2-4,0-1-8], [N:0-3-0,0-1-9], [O:0-2-12,0-3-0], [R:0-3-0,0-1-8], [S:0-1-8,0-1-8], [T:0-3-0,0-3-0], [AM:0-1-7,0-0-12], [AO:0-1-14,0-0-12]
-----------------------	--

LOADING (psf)	SPACING-	CSI.	DEFL.	in (loc)	l/defl	L/d	PLATES	GRIP
TCLL 25.0 (Roof Snow=25.0)	2-0-0	TC 0.81	Vert(LL) -0.10	S-T	>999	360	MT20	197/144
TCDL 12.0	Plate Grip DOL 1.15	BC 0.85	Vert(CT) -0.19	S-T	>793	240	MT18HS	197/144
BCLL 0.0 *	Lumber DOL 1.15	WB 0.98	Horz(CT) -0.11	K	n/a	n/a		
BCDL 10.0	Rep Stress Incr YES	Matrix-MS	Wind(LL) 0.07	T-AU	>999	240		
	Code IBC2018/TPI2014						Weight: 221 lb	FT = 20%

LUMBER-	BRACING-
TOP CHORD 2x4 SPF No.2	TOP CHORD Structural wood sheathing directly applied or 3-10-7 oc purlins, except end verticals.
BOT CHORD 2x4 SPF No.2	BOT CHORD Rigid ceiling directly applied or 2-10-8 oc bracing.
WEBS 2x4 SPF No.2 *Except*	WEBS 1 Row at midpt I-J, D-T, G-O, H-O, G-R
D-S,G-S: 2x3 SPF No.2	2 Rows at 1/3 pts H-J
OTHERS 2x3 SPF No.2	

**REACTIONS.** All bearings 12-6-0 except (jt=length) B=0-5-8, T=0-5-8.  
 (lb) - Max Horz B=695(LC 35)  
 Max Uplift All uplift 100 lb or less at joint(s) K except J=2155(LC 35), B=586(LC 32), T=1144(LC 40), O=921(LC 40), R=2317(LC 40)  
 Max Grav All reactions 250 lb or less at joint(s) K, L, M, N, P except J=2110(LC 52), B=797(LC 29), T=1707(LC 29), O=1235(LC 29), R=2529(LC 53), R=700(LC 1)

**FORCES.** (lb) - Max. Comp./Max. Ten. - All forces 250 (lb) or less except when shown.  
 TOP CHORD B-C=-1550/1315, C-D=-1718/1614, D-G=-1364/1148, G-H=-939/899, H-I=-1746/1646, I-J=-309/54  
 BOT CHORD B-T=-1524/1369, S-T=-3197/3234, R-S=-3728/3621, P-R=-3669/3594, O-P=-2209/2069, N-O=-3404/3316, M-N=-3160/3072, L-M=-1972/1883, K-L=-755/695, J-K=-1755/1667  
 WEBS C-T=-462/160, D-T=-2219/2062, D-S=-634/643, G-S=-591/956, G-O=-2560/2584, H-O=-3058/2973, H-J=-2599/2671, G-R=-2457/2311

- NOTES-**
- 1) Wind: ASCE 7-16; Vult=115mph (3-second gust) Vasd=91mph; TC DL=4.2psf; BCDL=5.0psf; h=30ft; Ke=1.00; Cat. II; Exp B; Enclosed; MWFRS (envelope) gable end zone; cantilever left and right exposed; end vertical left and right exposed; Lumber DOL=1.33 plate grip DOL=1.33
  - 2) Truss designed for wind loads in the plane of the truss only. For studs exposed to wind (normal to the face), see Standard Industry Gable End Details as applicable, or consult qualified building designer as per ANSI/TPI 1.
  - 3) TCLL: ASCE 7-16; Pf=25.0 psf (Lum DOL=1.15 Plate DOL=1.15); Is=1.0; Rough Cat B; Partially Exp.; Ce=1.0; Cs=1.00; Ct=1.10
  - 4) Unbalanced snow loads have been considered for this design.
  - 5) This truss has been designed for greater of min roof live load of 20.0 psf or 2.00 times flat roof load of 25.0 psf on overhangs non-concurrent with other live loads.
  - 6) All plates are MT20 plates unless otherwise indicated.
  - 7) All plates are 1.5x4 MT20 unless otherwise indicated.
  - 8) Gable studs spaced at 2-0-0 oc.
  - 9) This truss has been designed for a 10.0 psf bottom chord live load nonconcurrent with any other live loads.
  - 10) \* This truss has been designed for a live load of 20.0psf on the bottom chord in all areas where a rectangle 3-6-0 tall by 2-0-0 wide will fit between the bottom chord and any other members, with BCDL = 10.0psf.
  - 11) Provide mechanical connection (by others) of truss to bearing plate capable of withstanding 100 lb uplift at joint(s) K except (jt=lb) J=2155, B=586, T=1144, O=921, R=2317.



September 12, 2024

Job	Truss	Truss Type	Qty	Ply	Buildings A-H	U1530812
N0653A	X1	GABLE	8	1	Job Reference (optional)	

Alliance Truss (CA), Abbotsford, BC - V2S 7P6,

8.630 s Jul 12 2024 MiTek Industries, Inc. Thu Sep 12 02:47:52 2024 Page 2  
 ID:hFyjDMxrTsEK\_kgkR0vWWVzFgc-RfC?PsB70Hq3NSgPqnL8w3ulTXbGKWrCDoi7J4zJC?f

- NOTES-**
- 12) This truss is designed in accordance with the 2018 International Building Code section 2306.1 and referenced standard ANSI/TPI 1.
  - 13) This truss has been designed for a total drag load of 240 plf. Lumber DOL=(1.33) Plate grip DOL=(1.33) Connect truss to resist drag loads along bottom chord from 18-5-8 to 30-11-8 for 594.4 plf.
  - 14) No notches allowed in overhang and 10408 from left end and 0 from right end or 12" along rake from scarf, whichever is larger. Minimum 1.5x4 tie plates required at 2-0-0 o.c. maximum between the stacking chords. For edge-wise notching, provide at least one tie plate between each notch.

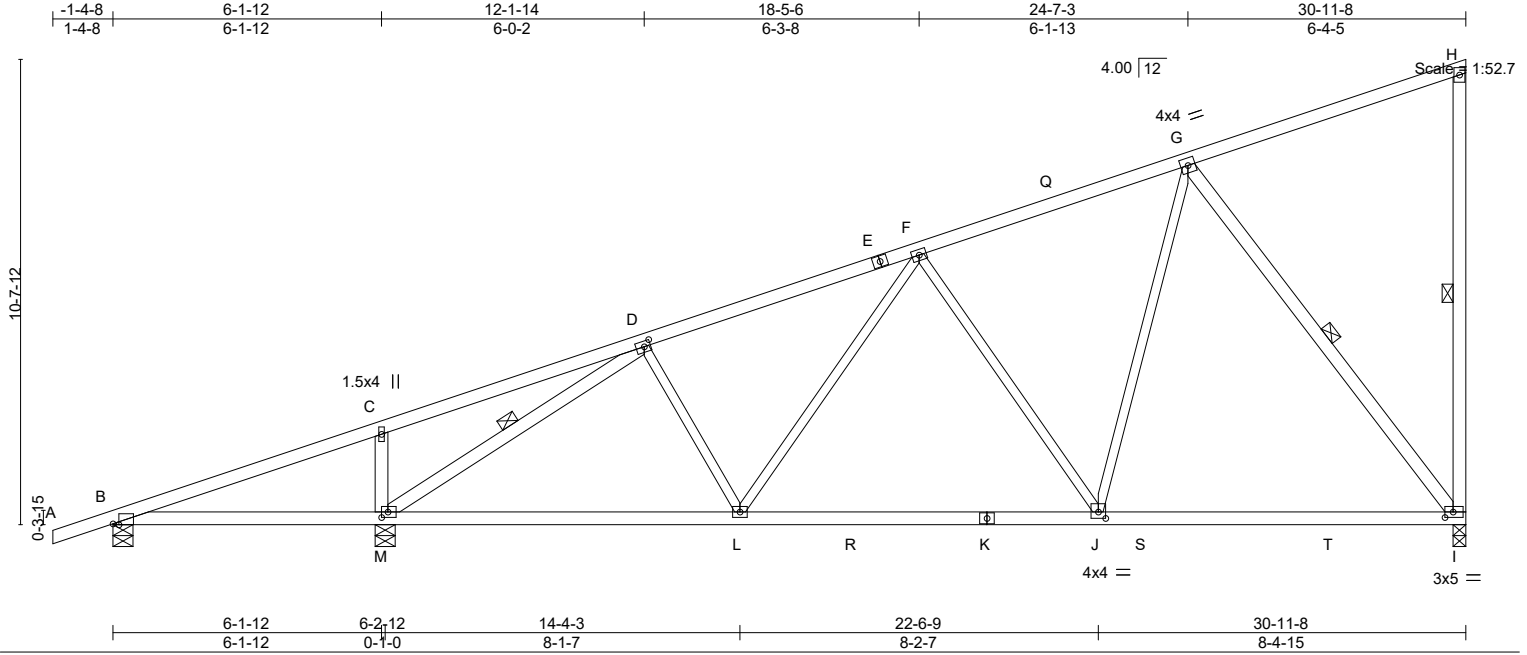
**WARNING - Verify design parameters and READ NOTES ON THIS AND INCLUDED MITEK REFERENCE PAGE MII-7473 rev. 6/30/2020 BEFORE USE.**  
 Design valid for use only with MiTek® connectors. This design is based only upon parameters shown, and is for an individual building component, not a truss system. Before use, the building designer must verify the applicability of design parameters and properly incorporate this design into the overall building design. Bracing indicated is to prevent buckling of individual truss web and/or chord members only. Additional temporary and permanent bracing is always required for stability and to prevent collapse with possible personal injury and property damage. For general guidance regarding the fabrication, storage, delivery, erection and bracing of trusses and truss systems, see **ANSI/TPI1 Quality Criteria, DSB-89 and BCSI Building Component Safety Information** available from Truss Plate Institute, 2670 Crain Highway, Suite 203 Waldorf, MD 20601



Job	Truss	Truss Type	Qty	Ply	Buildings A-H	U1530813
N0653A	X2	Monopitch	32	1		

Alliance Truss (CA), Abbotsford, BC - V2S 7P6, 8.630 s Jul 12 2024 MiTek Industries, Inc. Thu Sep 12 02:47:53 2024 Page 1

ID:hFyjDMxrTsEK\_kgkR0vWWVzFfgc-RfC?PsB70Hq3NSgPqnL8w3ulTXbGKWrCDoi7J4zJC?f



LOADING (psf)	SPACING-	CSI.	DEFL.	PLATES	GRIP
TCLL 25.0 (Roof Snow=25.0)	2-0-0 Plate Grip DOL 1.15 Lumber DOL 1.15	TC 0.78 BC 0.84 WB 0.76 Matrix-MS	in (loc) l/defl L/d Vert(LL) -0.22 I-J >999 360 Vert(CT) -0.35 I-J >842 240 Horz(CT) 0.05 I n/a n/a Wind(LL) -0.06 I-J >999 240	MT20	197/144
TCDL 12.0	Rep Stress Incr YES			Weight: 129 lb	FT = 20%
BCLL 0.0 *	Code IBC2018/TPI2014				
BCDL 10.0					

LUMBER-	BRACING-
TOP CHORD 2x4 SPF No.2	TOP CHORD Structural wood sheathing directly applied or 4-4-1 oc purlins, except end verticals.
BOT CHORD 2x4 SPF No.2	BOT CHORD Rigid ceiling directly applied or 10-0-0 oc bracing, Except: 6-0-0 oc bracing: B-M.
WEBS 2x4 SPF No.2 *Except* D-L,F-L,F-J,G-J: 2x3 SPF No.2	WEBS 1 Row at midpt H-I, D-M, G-I

**REACTIONS.** (size) I=0-3-8, B=0-5-8, M=0-5-8  
 Max Horz B=347(LC 9)  
 Max Uplift I=-169(LC 10), B=-48(LC 6), M=-195(LC 10)  
 Max Grav I=1468(LC 3), B=291(LC 1), M=1728(LC 3)

**FORCES.** (lb) - Max. Comp./Max. Ten. - All forces 250 (lb) or less except when shown.  
 TOP CHORD D-F=-1555/160, F-G=-1151/138, H-I=-301/52  
 BOT CHORD B-M=-285/0, L-M=-188/1346, J-L=-147/1312, I-J=-112/834  
 WEBS C-M=-473/153, D-M=-1830/189, F-J=-549/154, G-J=-51/847, G-I=-1360/201


- NOTES-**
- 1) Wind: ASCE 7-16; Vult=115mph (3-second gust) Vasd=91mph; TCDL=4.2psf; BCDL=5.0psf; h=30ft; Ke=1.00; Cat. II; Exp B; Enclosed; MWFRS (envelope) gable end zone; cantilever left and right exposed; end vertical left and right exposed; Lumber DOL=1.33 plate grip DOL=1.33
  - 2) TCLL: ASCE 7-16; Pf=25.0 psf (Lum DOL=1.15 Plate DOL=1.15); Is=1.0; Rough Cat B; Partially Exp.; Ce=1.0; Cs=1.0; Ct=1.10
  - 3) Unbalanced snow loads have been considered for this design.
  - 4) This truss has been designed for greater of min roof live load of 20.0 psf or 2.00 times flat roof load of 25.0 psf on overhangs non-concurrent with other live loads.
  - 5) All plates are 3x4 MT20 unless otherwise indicated.
  - 6) This truss has been designed for a 10.0 psf bottom chord live load nonconcurrent with any other live loads.
  - 7) \* This truss has been designed for a live load of 20.0psf on the bottom chord in all areas where a rectangle 3-6-0 tall by 2-0-0 wide will fit between the bottom chord and any other members, with BCDL = 10.0psf.
  - 8) Provide mechanical connection (by others) of truss to bearing plate capable of withstanding 100 lb uplift at joint(s) B except (jt=Ib) I=169, M=195.
  - 9) This truss is designed in accordance with the 2018 International Building Code section 2306.1 and referenced standard ANSI/TPI 1.



September 12, 2024

**WARNING - Verify design parameters and READ NOTES ON THIS AND INCLUDED MITEK REFERENCE PAGE MII-7473 rev. 6/30/2020 BEFORE USE.**

Design valid for use only with MiTek® connectors. This design is based only upon parameters shown, and is for an individual building component, not a truss system. Before use, the building designer must verify the applicability of design parameters and properly incorporate this design into the overall building design. Bracing indicated is to prevent buckling of individual truss web and/or chord members only. Additional temporary and permanent bracing is always required for stability and to prevent collapse with possible personal injury and property damage. For general guidance regarding the fabrication, storage, delivery, erection and bracing of trusses and truss systems, see **ANSI/TPI1 Quality Criteria, DSB-89 and BCSI Building Component Safety Information** available from Truss Plate Institute, 2670 Crain Highway, Suite 203 Waldorf, MD 20601



240 Stirling Crescent  
Bradford, ON. L3Z 4L5

Job	Truss	Truss Type	Qty	Ply	Buildings A-H	U1530896
N0653A	X3	Roof Special	8	1		

Alliance Truss (CA), Abbotsford, BC - V2S 7P6, 8.820 s Aug 30 2024 MiTek Industries, Inc. Thu Sep 12 02:48:39 2024 Page 1  
 ID:hFyjDMxrTsEK\_kgkR0vWWVzFlgc-g3eRq6TxD3\_oVosw1J3zq2t4x9Gj6CjPtIK2\_TyeVqc  
 Job Reference (optional)

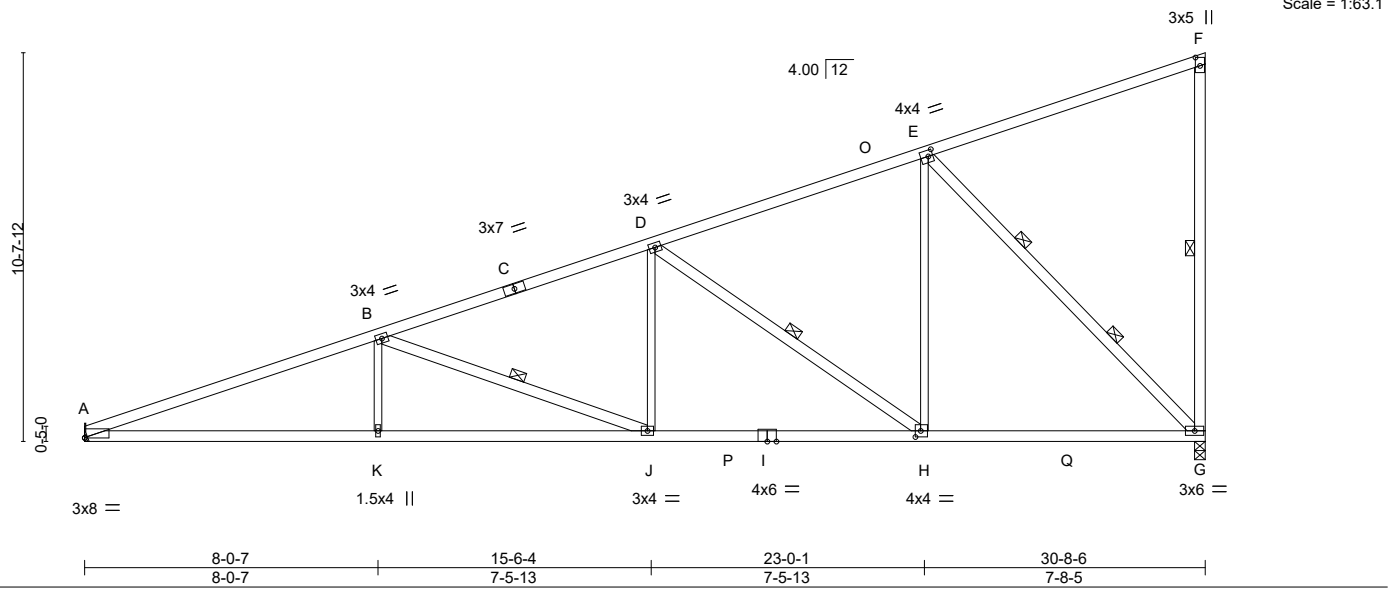


Plate Offsets (X,Y)-- [A:0-0-0,0-0-2], [E:0-1-8,0-2-0], [F:0-2-12,0-1-8], [H:0-1-12,0-2-0]

LOADING (psf)	SPACING-	CSI.	DEFL.	in (loc)	l/defl	L/d	PLATES	GRIP
TCLL 25.0 (Roof Snow=25.0)	2-0-0 Plate Grip DOL 1.15	TC 0.99	Vert(LL)	-0.22	J-K	>999	MT20	197/144
TCDL 12.0	Lumber DOL 1.15	BC 0.92	Vert(CT)	-0.40	J-K	>924		
BCLL 0.0 *	Rep Stress Incr YES	WB 0.76	Horz(CT)	0.11	G	n/a		
BCDL 10.0	Code IBC2018/TPI2014	Matrix-MS	Wind(LL)	0.10	K-N	>999	Weight: 127 lb	FT = 20%

**LUMBER-**

TOP CHORD 2x4 SPF 2100F 1.8E \*Except\*  
 A-C: 2x4 SPF No.2  
 BOT CHORD 2x4 SPF 2100F 1.8E \*Except\*  
 G-I: 2x4 SPF No.2  
 WEBS 2x4 SPF No.2 \*Except\*  
 B-K,D-J,E-H: 2x3 SPF No.2

**BRACING-**

TOP CHORD Structural wood sheathing directly applied, except end verticals.  
 BOT CHORD Rigid ceiling directly applied or 10-0-0 oc bracing, Except:  
 2-2-0 oc bracing: H-J.  
 WEBS 1 Row at midpt F-G, B-J, D-H  
 2 Rows at 1/3 pts E-G

**REACTIONS.**

(size) G=0-3-8, A=Mechanical  
 Max Horz A=338(LC 9)  
 Max Uplift G=-207(LC 10), A=-156(LC 6)  
 Max Grav G=1753(LC 3), A=1524(LC 3)

**FORCES.** (lb) - Max. Comp./Max. Ten. - All forces 250 (lb) or less except when shown.

TOP CHORD A-B=-3682/372, B-D=-2548/265, D-E=-1444/167, F-G=-367/63  
 BOT CHORD A-K=-451/3429, J-K=-451/3429, H-J=-273/2347, G-H=-118/1309  
 WEBS B-K=0/317, B-J=-1155/190, D-J=0/652, D-H=-1291/206, E-H=-48/1084, E-G=-1856/257

**NOTES-**

- 1) Wind: ASCE 7-16; Vult=115mph (3-second gust) Vasd=91mph; TCDL=4.2psf; BCDL=5.0psf; h=30ft; Ke=1.00; Cat. II; Exp B; Enclosed; MWFRS (envelope) gable end zone; cantilever left and right exposed; end vertical left and right exposed; Lumber DOL=1.33 plate grip DOL=1.33
- 2) TCLL: ASCE 7-16; Pf=25.0 psf (Lum DOL = 1.15 Plate DOL = 1.15); Is=1.0; Rough Cat B; Partially Exp.; Ce=1.0; Cs=1.00; Ct=1.10
- 3) Unbalanced snow loads have been considered for this design.
- 4) This truss has been designed for a 10.0 psf bottom chord live load nonconcurrent with any other live loads.
- 5) \* This truss has been designed for a live load of 20.0psf on the bottom chord in all areas where a rectangle 3-6-0 tall by 2-0-0 wide will fit between the bottom chord and any other members, with BCDL = 10.0psf.
- 6) Refer to girder(s) for truss to truss connections.
- 7) Provide mechanical connection (by others) of truss to bearing plate capable of withstanding 100 lb uplift at joint(s) except (jt=lb) G=207, A=156.
- 8) This truss is designed in accordance with the 2018 International Building Code section 2306.1 and referenced standard ANSI/TPI 1.



September 12, 2024

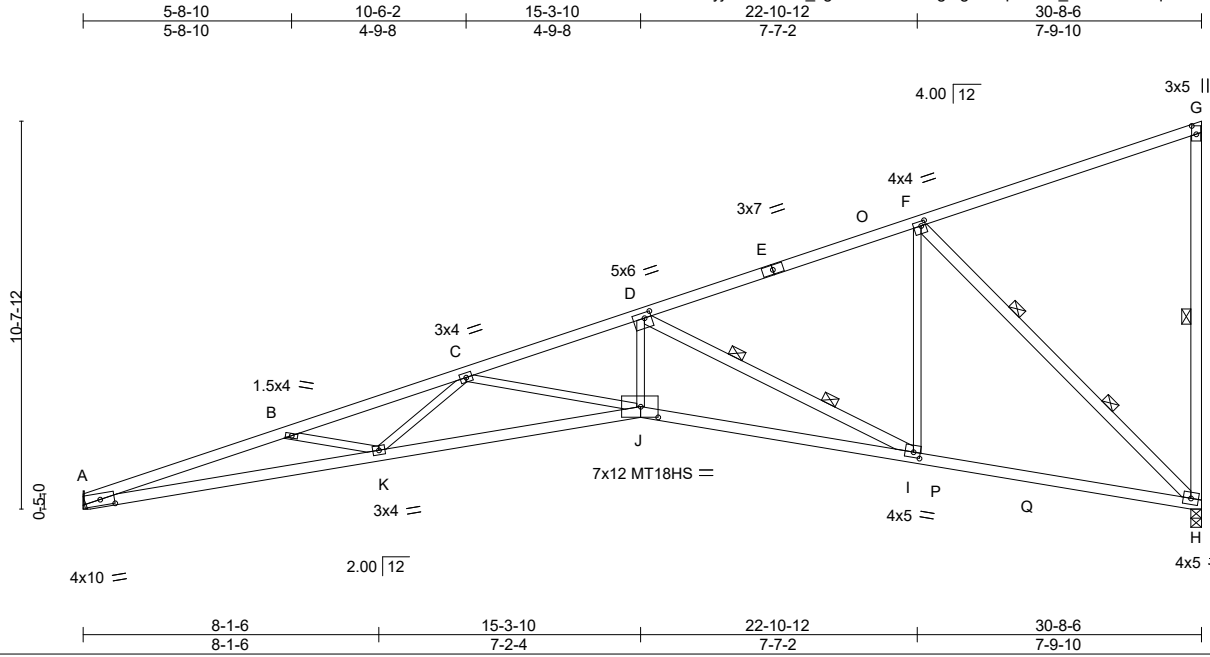
**WARNING - Verify design parameters and READ NOTES ON THIS AND INCLUDED MITEK REFERENCE PAGE MII-7473 rev. 6/30/2020 BEFORE USE.**

Design valid for use only with MiTek® connectors. This design is based only upon parameters shown, and is for an individual building component, not a truss system. Before use, the building designer must verify the applicability of design parameters and properly incorporate this design into the overall building design. Bracing indicated is to prevent buckling of individual truss web and/or chord members only. Additional temporary and permanent bracing is always required for stability and to prevent collapse with possible personal injury and property damage. For general guidance regarding the fabrication, storage, delivery, erection and bracing of trusses and truss systems, see **ANSI/TPI1 Quality Criteria, DSB-89 and BCSI Building Component Safety Information** available from Truss Plate Institute, 2670 Crain Highway, Suite 203 Waldorf, MD 20601



Job	Truss	Truss Type	Qty	Ply	Buildings A-H	U1530897
N0653A	X3A	Roof Special	48	1		

Alliance Truss (CA), Abbotsford, BC - V2S 7P6, 8.820 s Aug 30 2024 MiTek Industries, Inc. Thu Sep 12 02:48:39 2024 Page 1  
 ID:hFyjDMxrTsEK\_kgkR0vWVvzFlgc-g3eRq6TxD3\_oVosw1J3zq2t8f9H669FPtIK2\_TyeVqc



Scale = 1:63.2

Plate Offsets (X,Y)-- [A:0-4-11,0-2-0], [D:0-2-4,0-1-12], [F:0-1-8,0-1-8], [G:0-2-12,0-1-8], [I:0-2-4,0-1-12], [J:0-5-12,0-3-8]

LOADING (psf)	SPACING-	2-0-0	CSI.	DEFL.	in (loc)	l/defl	L/d	PLATES	GRIP
TCLL 25.0 (Roof Snow=25.0)	Plate Grip DOL 1.15		TC 0.76	Vert(LL) -0.65	J-K	>568	360	MT20	197/144
TCDL 12.0	Lumber DOL 1.15		BC 0.83	Vert(CT) -1.16	J-K	>317	240	MT18HS	197/144
BCLL 0.0 *	Rep Stress Incr YES		WB 0.92	Horz(CT) 0.50	H	n/a	n/a		
BCDL 10.0	Code IBC2018/TPI2014		Matrix-MS	Wind(LL) 0.34	J-K	>999	240		
								Weight: 121 lb	FT = 20%

**LUMBER-**

TOP CHORD 2x4 SPF 2100F 1.8E  
 BOT CHORD 2x4 SPF 2100F 1.8E  
 WEBS 2x3 SPF No.2 \*Except\*  
 G-H,D-I,F-H: 2x4 SPF No.2

**BRACING-**

TOP CHORD Structural wood sheathing directly applied or 2-2-8 oc purlins, except end verticals.  
 BOT CHORD Rigid ceiling directly applied or 8-2-13 oc bracing.  
 WEBS 1 Row at midpt G-H  
 2 Rows at 1/3 pts D-I, F-H

**REACTIONS.**

(size) H=0-3-8, A=Mechanical  
 Max Horz A=339(LC 9)  
 Max Uplift H=-208(LC 10), A=-156(LC 6)  
 Max Grav H=1745(LC 16), A=1521(LC 3)

**FORCES.** (lb) - Max. Comp./Max. Ten. - All forces 250 (lb) or less except when shown.

TOP CHORD A-B=-6667/817, B-C=-6340/677, C-D=-4792/541, D-F=-1721/188, G-H=-367/63  
 BOT CHORD A-K=-905/6352, J-K=-748/5680, I-J=-549/4582, H-I=-147/1630  
 WEBS B-K=-389/180, C-K=0/586, C-J=-1107/201, D-J=-191/2169, D-I=-3298/458, F-I=-67/1380,  
 F-H=-2226/290

**NOTES-**

- 1) Wind: ASCE 7-16; Vult=115mph (3-second gust) Vasd=91mph; TCDL=4.2psf; BCDL=5.0psf; h=30ft; Ke=1.00; Cat. II; Exp B; Enclosed; MWFRS (envelope) gable end zone; cantilever left and right exposed ; end vertical left and right exposed; Lumber DOL=1.33 plate grip DOL=1.33
- 2) TCLL: ASCE 7-16; Pf=25.0 psf (Lum DOL = 1.15 Plate DOL = 1.15); Is=1.0; Rough Cat B; Partially Exp.; Ce=1.0; Cs=1.00; Ct=1.10
- 3) Unbalanced snow loads have been considered for this design.
- 4) All plates are MT20 plates unless otherwise indicated.
- 5) This truss has been designed for a 10.0 psf bottom chord live load nonconcurrent with any other live loads.
- 6) \* This truss has been designed for a live load of 20.0psf on the bottom chord in all areas where a rectangle 3-6-0 tall by 2-0-0 wide will fit between the bottom chord and any other members, with BCDL = 10.0psf.
- 7) Refer to girder(s) for truss to truss connections.
- 8) Bearing at joint(s) H considers parallel to grain value using ANSI/TPI 1 angle to grain formula. Building designer should verify capacity of bearing surface.
- 9) Provide mechanical connection (by others) of truss to bearing plate capable of withstanding 100 lb uplift at joint(s) except (jt=lb) H=208, A=156.
- 10) This truss is designed in accordance with the 2018 International Building Code section 2306.1 and referenced standard ANSI/TPI 1.



September 12, 2024

**WARNING - Verify design parameters and READ NOTES ON THIS AND INCLUDED MITEK REFERENCE PAGE MII-7473 rev. 6/30/2020 BEFORE USE.**

Design valid for use only with MiTek® connectors. This design is based only upon parameters shown, and is for an individual building component, not a truss system. Before use, the building designer must verify the applicability of design parameters and properly incorporate this design into the overall building design. Bracing indicated is to prevent buckling of individual truss web and/or chord members only. Additional temporary and permanent bracing is always required for stability and to prevent collapse with possible personal injury and property damage. For general guidance regarding the fabrication, storage, delivery, erection and bracing of trusses and truss systems, see

**ANSI/TPI1 Quality Criteria, DSB-89 and BCSI Building Component Safety Information** available from Truss Plate Institute, 2670 Crain Highway, Suite 203 Waldorf, MD 20601

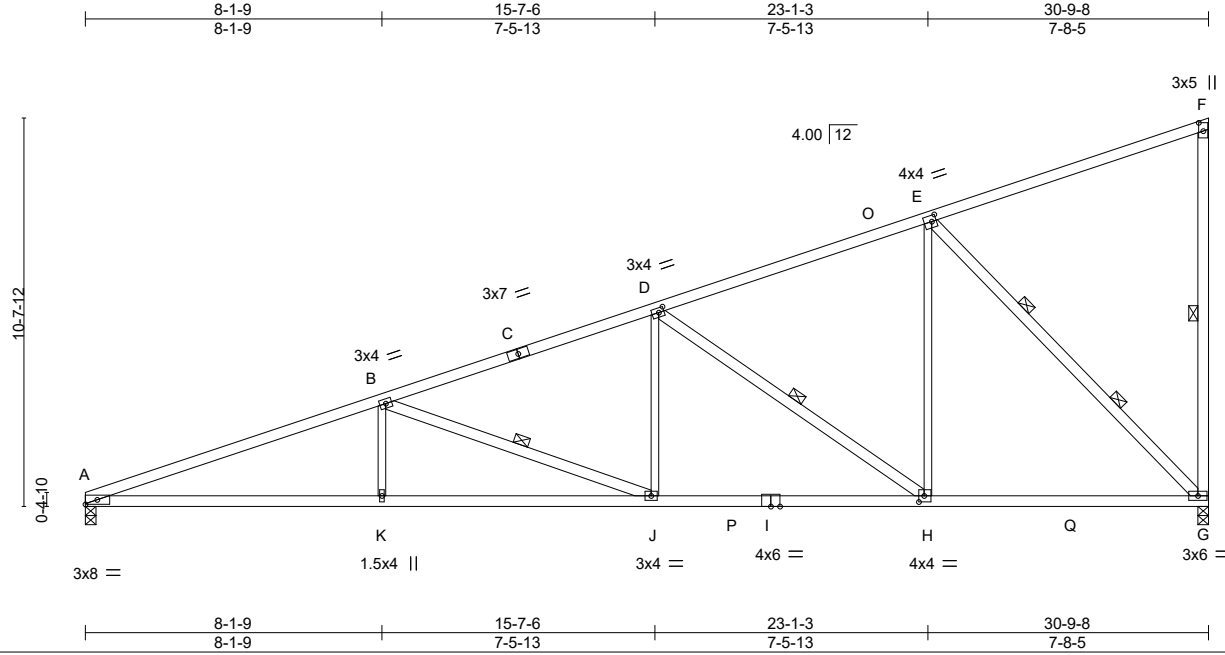


240 Stirling Crescent  
 Bradford, ON. L3Z 4L5

Job	Truss	Truss Type	Qty	Ply	Buildings A-H	U1530814
N0653A	X4	Monopitch	48	1		

Alliance Truss (CA), Abbotsford, BC - V2S 7P6, 8.630 s Jul 12 2024 MiTek Industries, Inc. Thu Sep 12 02:47:53 2024 Page 1

ID:hFyjDMxrTsEK\_kgkR0vWWVzFgC-RfC?PsB70Hq3NSgPqnL8w3ulTXbGKWrCDoi7JzJC?F



Scale = 1:63.2

Plate Offsets (X,Y)-- [D:0-1-12,0-1-8], [E:0-1-8,0-2-0], [F:0-2-12,0-1-8], [H:0-1-12,0-2-0]

LOADING (psf)	SPACING-	CSI.	DEFL.	in (loc)	l/defl	L/d	PLATES	GRIP
TCLL 25.0 (Roof Snow=25.0)	2-0-0 Plate Grip DOL 1.15	TC 0.72	Vert(LL) -0.21	J-K	>999	360	MT20	197/144
TCDL 12.0	Lumber DOL 1.15	BC 0.93	Vert(CT) -0.37	J-K	>988	240		
BCLL 0.0 *	Rep Stress Incr YES	WB 0.76	Horz(CT) 0.11	G	n/a	n/a		
BCDL 10.0	Code IBC2018/TPI2014	Matrix-MS	Wind(LL) 0.10	K-N	>999	240	Weight: 127 lb	FT = 20%

**LUMBER-**

TOP CHORD 2x4 SPF 2100F 1.8E  
 BOT CHORD 2x4 SPF 2100F 1.8E \*Except\*  
 G-I: 2x4 SPF No.2  
 WEBS 2x4 SPF No.2 \*Except\*  
 B-K,D-J,E-H: 2x3 SPF No.2

**BRACING-**

TOP CHORD Structural wood sheathing directly applied or 3-4-9 oc purlins, except end verticals.  
 BOT CHORD Rigid ceiling directly applied or 10-0-0 oc bracing, Except: 2-2-0 oc bracing: H-J.  
 WEBS 1 Row at midpt F-G, B-J, D-H  
 2 Rows at 1/3 pts E-G

**REACTIONS.**

(size) G=0-3-8, A=0-3-8  
 Max Horz A=338(LC 9)  
 Max Uplift G=-208(LC 10), A=-156(LC 6)  
 Max Grav G=1759(LC 3), A=1529(LC 3)

**FORCES.** (lb) - Max. Comp./Max. Ten. - All forces 250 (lb) or less except when shown.

TOP CHORD A-B=-3734/377, B-D=-2562/267, D-E=-1449/167, F-G=-367/63  
 BOT CHORD A-K=-457/3482, J-K=-457/3482, H-J=-274/2358, G-H=-118/1314  
 WEBS B-K=0/325, B-J=-1199/195, D-J=0/664, D-H=-1298/206, E-H=-49/1089, E-G=-1864/258

**NOTES-**

- 1) Wind: ASCE 7-16; Vult=115mph (3-second gust) Vasd=91mph; TCDL=4.2psf; BCDL=5.0psf; h=30ft; Ke=1.00; Cat. II; Exp B; Enclosed; MWFRS (envelope) gable end zone; cantilever left and right exposed ; end vertical left and right exposed; Lumber DOL=1.33 plate grip DOL=1.33
- 2) TCLL: ASCE 7-16; Pf=25.0 psf (Lum DOL=1.15 Plate DOL=1.15); Is=1.0; Rough Cat B; Partially Exp.; Ce=1.0; Cs=1.00; Ct=1.10
- 3) Unbalanced snow loads have been considered for this design.
- 4) This truss has been designed for a 10.0 psf bottom chord live load nonconcurrent with any other live loads.
- 5) \* This truss has been designed for a live load of 20.0psf on the bottom chord in all areas where a rectangle 3-6-0 tall by 2-0-0 wide will fit between the bottom chord and any other members, with BCDL = 10.0psf.
- 6) Provide mechanical connection (by others) of truss to bearing plate capable of withstanding 100 lb uplift at joint(s) except (jt=lb) G=208, A=156.
- 7) This truss is designed in accordance with the 2018 International Building Code section 2306.1 and referenced standard ANSI/TPI 1.



September 12, 2024

**WARNING - Verify design parameters and READ NOTES ON THIS AND INCLUDED MITEK REFERENCE PAGE MII-7473 rev. 6/30/2020 BEFORE USE.**

Design valid for use only with MiTek® connectors. This design is based only upon parameters shown, and is for an individual building component, not a truss system. Before use, the building designer must verify the applicability of design parameters and properly incorporate this design into the overall building design. Bracing indicated is to prevent buckling of individual truss web and/or chord members only. Additional temporary and permanent bracing is always required for stability and to prevent collapse with possible personal injury and property damage. For general guidance regarding the fabrication, storage, delivery, erection and bracing of trusses and truss systems, see

**Safety Information** available from Truss Plate Institute, 2670 Crain Highway, Suite 203 Waldorf, MD 20601

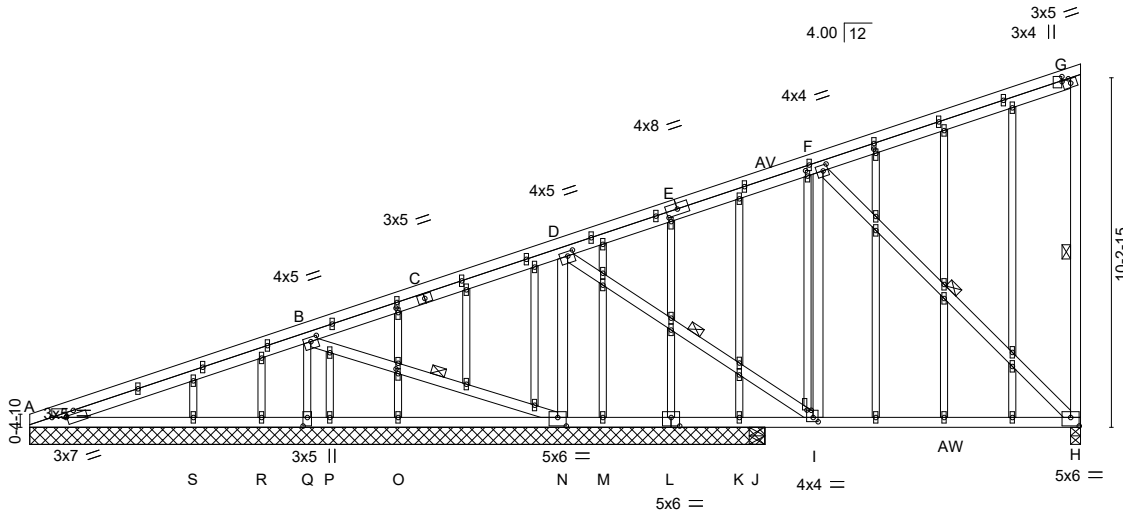


240 Stirling Crescent  
 Bradford, ON. L3Z 4L5

Job N0653A	Truss X5	Truss Type GABLE	Qty 8	Ply 1	Buildings A-H Job Reference (optional)	U1530815
---------------	-------------	---------------------	----------	----------	---	----------

Alliance Truss (CA), Abbotsford, BC - V2S 7P6, 8.630 s Jul 12 2024 MiTek Industries, Inc. Thu Sep 12 02:47:55 2024 Page 1

ID:hFyjDMxrTsEK\_kgkR0vWWVzFfgc-RfC?PsB70Hq3NSgPqnL8w3ulTXbGKWRCDoi7J4zJC?f



Scale = 1:67.5

Plate Offsets (X,Y)-- [A:0-5-0,0-1-4], [B:0-2-8,0-1-8], [D:0-2-4,0-1-8], [F:0-1-12,0-2-0], [G:0-0-12,0-2-4], [G:0-2-12,0-1-8], [H:0-3-0,0-3-0], [I:0-0-1,0-1-8], [I:0-1-12,0-1-8], [L:0-3-0,0-3-0], [N:0-3-0,0-3-0], [Q:0-3-0,0-1-8], [Z:0-1-8,0-0-12], [AC:0-1-14,0-0-12], [AF:0-1-6,0-0-12], [AN:0-1-11,0-0-12], [AO:0-1-9,0-0-12], [AT:0-2-8,Edge]

LOADING (psf)	SPACING-	CSI.	DEFL.	PLATES	GRIP
TCLL 25.0 (Roof Snow=25.0)	2-0-0 Plate Grip DOL 1.15	TC 0.72	in (loc) l/defl L/d	MT20	197/144
TCDL 12.0	Lumber DOL 1.15	BC 0.72	Vert(LL) -0.13 H-I >842 360		
BCLL 0.0 *	Rep Stress Incr YES	WB 0.94	Vert(CT) -0.23 H-I >487 240		
BCDL 10.0	Code IBC2018/TPI2014	Matrix-MS	Horz(CT) -0.03 H n/a n/a	Weight: 216 lb	FT = 20%
			Wind(LL) -0.05 H-I >999 240		

LUMBER-	BRACING-
TOP CHORD 2x4 SPF No.2 *Except* C-G,A-C: 2x4 SPF 2100F 1.8E	TOP CHORD Structural wood sheathing directly applied or 4-0-8 oc purlins, except end verticals.
BOT CHORD 2x4 SPF No.2	BOT CHORD Rigid ceiling directly applied or 3-3-4 oc bracing.
WEBS 2x4 SPF No.2 *Except* B-Q: 2x3 SPF No.2	WEBS 1 Row at midpt G-H, B-N, D-I, F-H
OTHERS 2x3 SPF No.2	

**REACTIONS.** All bearings 21-6-8 except (jt=length) H=0-3-8, J=0-5-8.  
 (lb) - Max Horz A=372(LC 38)  
 Max Uplift All uplift 100 lb or less at joint(s) P, R, S except H=872(LC 40), A=-1004(LC 31), Q=-1526(LC 39), N=-981(LC 31), J=-318(LC 18)  
 Max Grav All reactions 250 lb or less at joint(s) M, O, P, R, J except H=1507(LC 27), A=1129(LC 50), Q=1622(LC 28), N=1677(LC 28), K=291(LC 18), S=268(LC 29), A=302(LC 1)

**FORCES.** (lb) - Max. Comp./Max. Ten. - All forces 250 (lb) or less except when shown.  
 TOP CHORD A-B=-3240/2962, B-D=-3490/3268, D-F=-3315/3036, F-G=-2063/1943, G-H=-365/63  
 BOT CHORD A-S=-2591/2512, R-S=-1485/1406, Q-R=-799/720, P-Q=-376/286, O-P=-759/682, N-O=-2414/2337, M-N=-789/675, K-M=-2202/2088, J-K=-2370/2267, I-J=-2380/2267, H-I=-853/1112  
 WEBS B-Q=-1589/1590, B-N=-2137/2135, D-N=-2036/1680, D-I=-1800/2008, F-I=-992/1119, F-H=-1543/1208

- NOTES-**
- 1) Wind: ASCE 7-16; Vult=115mph (3-second gust) Vasd=91mph; TC DL=4.2psf; BCDL=5.0psf; h=30ft; Ke=1.00; Cat. II; Exp B; Enclosed; MWFRS (envelope) gable end zone; cantilever left and right exposed ; end vertical left and right exposed; Lumber DOL=1.33 plate grip DOL=1.33
  - 2) Truss designed for wind loads in the plane of the truss only. For studs exposed to wind (normal to the face), see Standard Industry Gable End Details as applicable, or consult qualified building designer as per ANSI/TPI 1.
  - 3) TCLL: ASCE 7-16; Pf=25.0 psf (Lum DOL=1.15 Plate DOL=1.15); Is=1.0; Rough Cat B; Partially Exp.; Ce=1.0; Cs=1.00; Ct=1.10
  - 4) Unbalanced snow loads have been considered for this design.
  - 5) All plates are 1.5x4 MT20 unless otherwise indicated.
  - 6) Gable studs spaced at 2-0-0 oc.
  - 7) This truss has been designed for a 10.0 psf bottom chord live load nonconcurrent with any other live loads.
  - 8) \* This truss has been designed for a live load of 20.0psf on the bottom chord in all areas where a rectangle 3-6-0 tall by 2-0-0 wide will fit between the bottom chord and any other members, with BCDL = 10.0psf.
  - 9) Provide mechanical connection (by others) of truss to bearing plate capable of withstanding 100 lb uplift at joint(s) P, R, S except (jt=lb) H=872, A=1004, Q=1526, N=981, J=318, A=1004.



September 12, 2024

Continued on page 2

**WARNING - Verify design parameters and READ NOTES ON THIS AND INCLUDED MITEK REFERENCE PAGE MII-7473 rev. 6/30/2020 BEFORE USE.**  
 Design valid for use only with MiTek® connectors. This design is based only upon parameters shown, and is for an individual building component, not a truss system. Before use, the building designer must verify the applicability of design parameters and properly incorporate this design into the overall building design. Bracing indicated is to prevent buckling of individual truss web and/or chord members only. Additional temporary and permanent bracing is always required for stability and to prevent collapse with possible personal injury and property damage. For general guidance regarding the fabrication, storage, delivery, erection and bracing of trusses and truss systems, see **ANSI/TPI1 Quality Criteria, DSB-89 and BCSI Building Component Safety Information** available from Truss Plate Institute, 2670 Crain Highway, Suite 203 Waldorf, MD 20601

240 Stirling Crescent  
Bradford, ON. L3Z 4L5

Job	Truss	Truss Type	Qty	Ply	Buildings A-H	U1530815
N0653A	X5	GABLE	8	1	Job Reference (optional)	

Alliance Truss (CA), Abbotsford, BC - V2S 7P6,

8.630 s Jul 12 2024 MiTek Industries, Inc. Thu Sep 12 02:47:55 2024 Page 2  
 ID:hFyjDMxrTsEK\_kgkR0vWWVzFgc-RfC?PsB70Hq3NSgPqnL8w3ulTXbGKWrCDoi7J4zJC?f

**NOTES-**

- 10) This truss is designed in accordance with the 2018 International Building Code section 2306.1 and referenced standard ANSI/TPI 1.
- 11) This truss has been designed for a total drag load of 240 plf. Lumber DOL=(1.33) Plate grip DOL=(1.33) Connect truss to resist drag loads along bottom chord from 0-0-0 to 21-6-8 for 343.1 plf.
- 12) No notches allowed in overhang and 0 from left end and 0 from right end or 12" along rake from scarf, whichever is larger. Minimum 1.5x4 tie plates required at 2-0-0 o.c. maximum between the stacking chords. For edge-wise notching, provide at least one tie plate between each notch.

**WARNING - Verify design parameters and READ NOTES ON THIS AND INCLUDED MITEK REFERANCE PAGE MII-7473 rev. 6/30/2020 BEFORE USE.**

Design valid for use only with MiTek® connectors. This design is based only upon parameters shown, and is for an individual building component, not a truss system. Before use, the building designer must verify the applicability of design parameters and properly incorporate this design into the overall building design. Bracing indicated is to prevent buckling of individual truss web and/or chord members only. Additional temporary and permanent bracing is always required for stability and to prevent collapse with possible personal injury and property damage. For general guidance regarding the fabrication, storage, delivery, erection and bracing of trusses and truss systems, see

**Safety Information** available from Truss Plate Institute, 2670 Crain Highway, Suite 203 Waldorf, MD 20601

**ANSI/TPI1 Quality Criteria, DSB-89 and BCSI Building Component**



240 Stirling Crescent  
 Bradford, ON. L3Z 4L5



Job	Truss	Truss Type	Qty	Ply	Buildings A-H	U1530816
N0653A	Y1	GABLE	12	1		

Alliance Truss (CA), Abbotsford, BC - V2S 7P6, 8.630 s Jul 12 2024 MiTek Industries, Inc. Thu Sep 12 02:47:57 2024 Page 1

ID:hFyjDMxrTsEK\_kgkR0vWWVzFfgc-RfC?PsB70Hq3NSgPqnL8w3ulTXbGKWrCD0i7J4zJC?f

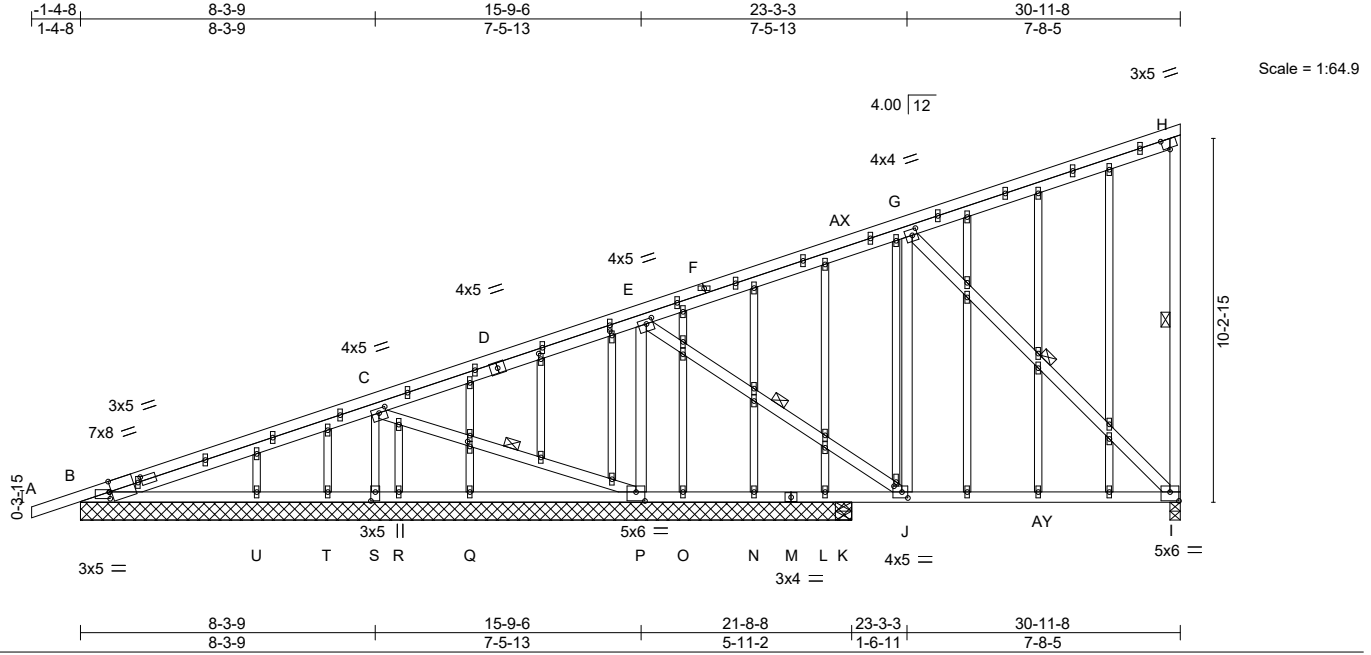


Plate Offsets (X,Y)--	[B:0-0-11,Edge], [B:0-11-7,0-1-8], [B:0-0-4,0-2-4], [C:0-2-8,0-1-8], [E:0-2-4,0-1-8], [G:0-1-12,0-2-0], [H:0-2-3,Edge], [I:0-3-0,0-3-0], [J:0-2-0,0-2-0], [J:0-1-6,0-0-12], [P:0-3-0,0-3-0], [S:0-3-0,0-1-8], [AM:0-1-7,0-0-12], [AO:0-1-14,0-0-12], [AP:0-1-11,0-0-12]
-----------------------	---

<b>LOADING</b> (psf)	<b>SPACING-</b>	<b>CSI.</b>	<b>DEFL.</b>	<b>PLATES</b>	<b>GRIP</b>
TCLL 25.0 (Roof Snow=25.0)	2-0-0	TC 0.98	in (loc) l/defl L/d	MT20	197/144
TCDL 12.0	Plate Grip DOL 1.15	BC 0.72	Vert(LL) -0.13 I-J >841 360		
BCLL 0.0 *	Lumber DOL 1.15	WB 0.98	Vert(CT) -0.23 I-J >487 240		
BCDL 10.0	Rep Stress Incr YES	Matrix-MS	Horz(CT) -0.03 I n/a n/a		
	Code IBC2018/TPI2014		Wind(LL) -0.05 I-J >999 240	Weight: 218 lb	FT = 20%

<b>LUMBER-</b>	<b>BRACING-</b>
TOP CHORD 2x4 SPF No.2 *Except*	TOP CHORD Structural wood sheathing directly applied, except end verticals.
D-H,A-F: 2x4 SPF 2100F 1.8E	BOT CHORD Rigid ceiling directly applied or 3-6-4 oc bracing.
BOT CHORD 2x4 SPF No.2	WEBS 1 Row at midpt H-I, C-P, E-J, G-I
WEBS 2x4 SPF No.2 *Except*	
C-S: 2x3 SPF No.2	
OTHERS 2x3 SPF No.2	

**REACTIONS.** All bearings 21-8-8 except (jt=length) I=0-3-8, K=0-5-8.  
 (lb) - Max Horz B=805(LC 35)  
 Max Uplift All uplift 100 lb or less at joint(s) L, O, R, U except I=-905(LC 41), B=-1107(LC 32), S=-1564(LC 40), P=-1031(LC 32), T=-119(LC 1), K=-218(LC 19)  
 Max Grav All reactions 250 lb or less at joint(s) L, N, Q, R, T, K except I=1537(LC 28), B=1202(LC 29), S=1662(LC 29), P=1764(LC 29), U=355(LC 26), B=492(LC 1)

**FORCES.** (lb) - Max. Comp./Max. Ten. - All forces 250 (lb) or less except when shown.  
 TOP CHORD B-C=-3338/3068, C-E=-3380/3168, E-G=-3278/3005, G-H=-2062/1943, H-I=-369/63  
 BOT CHORD B-U=-2446/2358, T-U=-1359/1255, S-T=-658/570, R-S=-253/165, Q-R=-920/818, P-Q=-2571/2469, O-P=-936/815, N-O=-1621/1499, L-N=-2306/2184, K-L=-2475/2362, J-K=-2484/2362, I-J=-887/1139  
 WEBS C-S=-1590/1578, C-P=-2166/2183, E-P=-2102/1747, E-J=-1871/2083, G-J=-1034/1156, G-I=-1582/1255

- NOTES-**
- 1) Wind: ASCE 7-16; Vult=115mph (3-second gust) Vasd=91mph; TCDL=4.2psf; BCDL=5.0psf; h=30ft; Ke=1.00; Cat. II; Exp B; Enclosed; MWFRS (envelope) gable end zone; cantilever left and right exposed; end vertical left and right exposed; Lumber DOL=1.33 plate grip DOL=1.33
  - 2) Truss designed for wind loads in the plane of the truss only. For studs exposed to wind (normal to the face), see Standard Industry Gable End Details as applicable, or consult qualified building designer as per ANSI/TPI 1.
  - 3) TCLL: ASCE 7-16; Pf=25.0 psf (Lum DOL=1.15 Plate DOL=1.15); Is=1.0; Rough Cat B; Partially Exp.; Ce=1.0; Cs=1.00; Ct=1.10
  - 4) Unbalanced snow loads have been considered for this design.
  - 5) This truss has been designed for greater of min roof live load of 20.0 psf or 2.00 times flat roof load of 25.0 psf on overhangs non-concurrent with other live loads.
  - 6) All plates are 1.5x4 MT20 unless otherwise indicated.
  - 7) Gable studs spaced at 2-0-0 oc.
  - 8) This truss has been designed for a 10.0 psf bottom chord live load nonconcurrent with any other live loads.
  - 9) \* This truss has been designed for a live load of 20.0psf on the bottom chord in all areas where a rectangle 3-6-0 tall by 2-0-0 wide will fit between the bottom chord and any other members, with BCDL = 10.0psf.
  - 10) Provide mechanical connection (by others) of truss to bearing plate capable of withstanding 100 lb uplift at joint(s) L, O, R, U except I=0-3-8, B=1107, S=1564, P=1031, T=119, K=218, B=1107.



September 12, 2024

**WARNING - Verify design parameters and READ NOTES ON THIS AND INCLUDED MITEK REFERENCE PAGE MII-7473 rev. 6/30/2020 BEFORE USE.**  
 Design valid for use only with MiTek® connectors. This design is based only upon parameters shown, and is for an individual building component, not a truss system. Before use, the building designer must verify the applicability of design parameters and properly incorporate this design into the overall building design. Bracing indicated is to prevent buckling of individual truss web and/or chord members only. Additional temporary and permanent bracing is always required for stability and to prevent collapse with possible personal injury and property damage. For general guidance regarding the fabrication, storage, delivery, erection and bracing of trusses and truss systems, see **ANSI/TPI1 Quality Criteria, DSB-89 and BCSI Building Component Safety Information** available from Truss Plate Institute, 2670 Crain Highway, Suite 203 Waldorf, MD 20601

240 Stirling Crescent  
Bradford, ON. L3Z 4L5

Job	Truss	Truss Type	Qty	Ply	Buildings A-H
N0653A	Y1	GABLE	12	1	U1530816

Alliance Truss (CA), Abbotsford, BC - V2S 7P6,

8.630 s Jul 12 2024 MiTek Industries, Inc. Thu Sep 12 02:47:57 2024 Page 2  
 ID:hFyjDMxrTsEK\_kgkR0vWWVzFgc-RfC?PsB70Hq3NSgPqnL8w3ulTXbGKWrCDoi7J4zJC?f

**NOTES-**

- 11) This truss is designed in accordance with the 2018 International Building Code section 2306.1 and referenced standard ANSI/TPI 1.
- 12) This truss has been designed for a total drag load of 240 plf. Lumber DOL=(1.33) Plate grip DOL=(1.33) Connect truss to resist drag loads along bottom chord from 0-0-0 to 21-8-8 for 342.3 plf.
- 13) No notches allowed in overhang and 10408 from left end and 0 from right end or 12" along rake from scarf, whichever is larger. Minimum 1.5x4 tie plates required at 2-0-0 o.c. maximum between the stacking chords. For edge-wise notching, provide at least one tie plate between each notch.

**WARNING - Verify design parameters and READ NOTES ON THIS AND INCLUDED MITEK REFERENCE PAGE MII-7473 rev. 6/30/2020 BEFORE USE.**

Design valid for use only with MiTek® connectors. This design is based only upon parameters shown, and is for an individual building component, not a truss system. Before use, the building designer must verify the applicability of design parameters and properly incorporate this design into the overall building design. Bracing indicated is to prevent buckling of individual truss web and/or chord members only. Additional temporary and permanent bracing is always required for stability and to prevent collapse with possible personal injury and property damage. For general guidance regarding the fabrication, storage, delivery, erection and bracing of trusses and truss systems, see

**Safety Information** available from Truss Plate Institute, 2670 Crain Highway, Suite 203 Waldorf, MD 20601

**ANSI/TPI1 Quality Criteria, DSB-89 and BCSI Building Component**



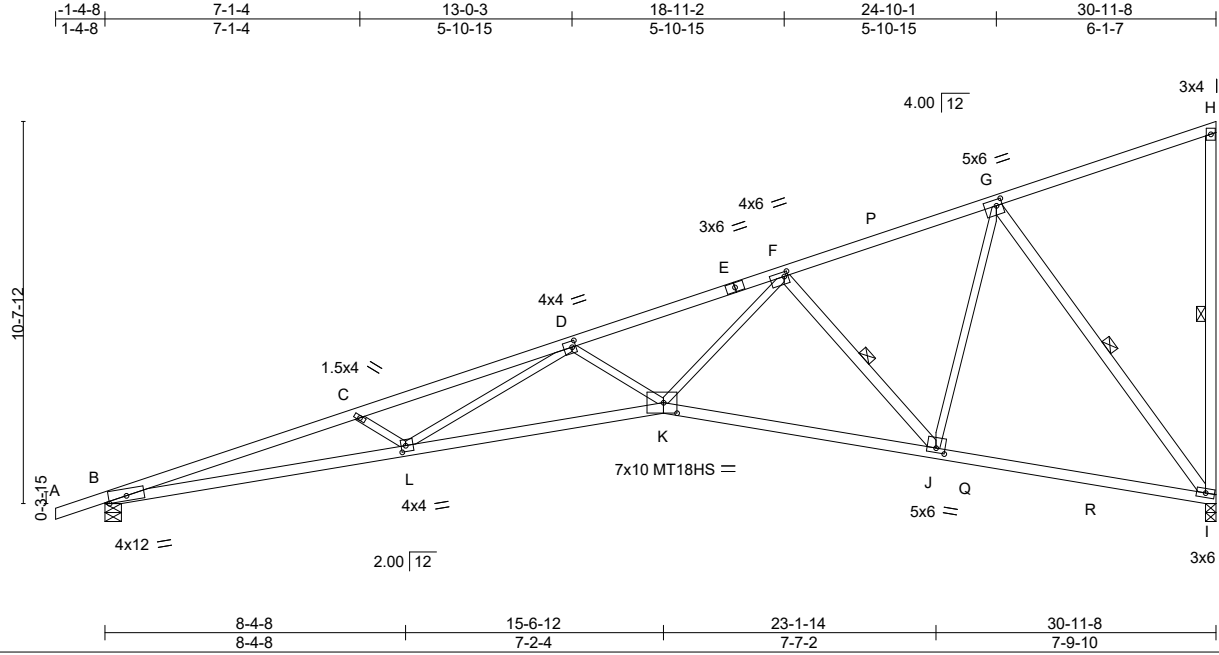
240 Stirling Crescent  
 Bradford, ON. L3Z 4L5

Job N0653A	Truss Y2A	Truss Type Monopitch	Qty 66	Ply 1	Buildings A-H	U1530898
---------------	--------------	-------------------------	-----------	----------	---------------	----------

Alliance Truss (CA), Abbotsford, BC - V2S 7P6,

8.820 s Aug 30 2024 MiTek Industries, Inc. Thu Sep 12 02:48:40 2024 Page 1

ID:hFyjDMxrTsEK\_kgkR0vWWVzFlgc-8FCp2STZ\_N6f7yR6b1aCNGQHBYdmbgY5y4cWwyyeVqb



Scale: 3/16"=1'

Plate Offsets (X,Y)-- [D:0-1-4,0-2-0], [F:0-1-4,0-1-8], [G:0-2-0,0-2-0], [J:0-3-0,0-1-8], [K:0-4-8,0-3-8], [L:0-1-8,0-2-0]

LOADING (psf)	SPACING-	CSI.	DEFL.	in (loc)	l/defl	L/d	PLATES	GRIP
TCLL 25.0 (Roof Snow=25.0)	2-0-0 Plate Grip DOL 1.15	TC 0.83	Vert(LL)	-0.64	K-L	>578	MT20	197/144
TCDL 12.0	Lumber DOL 1.15	BC 0.87	Vert(CT)	-1.14	K-L	>323	MT18HS	197/144
BCLL 0.0 *	Rep Stress Incr YES	WB 0.97	Horz(CT)	0.47	I	n/a		
BCDL 10.0	Code IBC2018/TPI2014	Matrix-MS	Wind(LL)	0.33	K-L	>999		
							Weight: 123 lb	FT = 20%

**LUMBER-**

TOP CHORD 2x4 SPF No.2 \*Except\*  
A-E: 2x4 SPF 2100F 1.8E  
BOT CHORD 2x4 SPF 2100F 1.8E  
WEBS 2x3 SPF No.2 \*Except\*  
H-I, F-J, G-I: 2x4 SPF No.2

**BRACING-**

TOP CHORD Structural wood sheathing directly applied or 2-2-0 oc purlins, except end verticals.  
BOT CHORD Rigid ceiling directly applied or 8-3-2 oc bracing.  
WEBS 1 Row at midpt H-I, F-J, G-I

**REACTIONS.**

(size) I=0-3-8, B=0-5-8  
Max Horz B=347(LC 9)  
Max Uplift I=-209(LC 10), B=-202(LC 6)  
Max Grav I=1774(LC 3), B=1624(LC 3)

**FORCES.** (lb) - Max. Comp./Max. Ten. - All forces 250 (lb) or less except when shown.

TOP CHORD B-C=-6947/816, C-D=-6607/733, D-F=-4823/535, F-G=-1666/190, H-I=-287/49  
BOT CHORD B-L=-901/6640, K-L=-685/5302, J-K=-314/2762, I-J=-132/1215  
WEBS C-L=-456/167, D-L=-93/1238, D-K=-901/211, F-K=-294/2743, F-J=-1862/308, G-J=-125/1553, G-I=-1987/261

**NOTES-**

- 1) Wind: ASCE 7-16; Vult=115mph (3-second gust) Vasd=91mph; TCDL=4.2psf; BCDL=5.0psf; h=30ft; Ke=1.00; Cat. II; Exp B; Enclosed; MWFRS (envelope) gable end zone; cantilever left and right exposed ; end vertical left and right exposed; Lumber DOL=1.33 plate grip DOL=1.33
- 2) TCLL: ASCE 7-16; Pf=25.0 psf (Lum DOL = 1.15 Plate DOL = 1.15); Is=1.0; Rough Cat B; Partially Exp.; Ce=1.0; Cs=1.00; Ct=1.10
- 3) Unbalanced snow loads have been considered for this design.
- 4) This truss has been designed for greater of min roof live load of 20.0 psf or 2.00 times flat roof load of 25.0 psf on overhangs non-concurrent with other live loads.
- 5) All plates are MT20 plates unless otherwise indicated.
- 6) This truss has been designed for a 10.0 psf bottom chord live load nonconcurrent with any other live loads.
- 7) \* This truss has been designed for a live load of 20.0psf on the bottom chord in all areas where a rectangle 3-6-0 tall by 2-0-0 wide will fit between the bottom chord and any other members, with BCDL = 10.0psf.
- 8) Bearing at joint(s) I, B considers parallel to grain value using ANSI/TPI 1 angle to grain formula. Building designer should verify capacity of bearing surface.
- 9) Provide mechanical connection (by others) of truss to bearing plate capable of withstanding 100 lb uplift at joint(s) except (jt=lb) I=209, B=202.
- 10) This truss is designed in accordance with the 2018 International Building Code section 2306.1 and referenced standard ANSI/TPI 1.



September 12, 2024

**WARNING - Verify design parameters and READ NOTES ON THIS AND INCLUDED MITEK REFERENCE PAGE MII-7473 rev. 6/30/2020 BEFORE USE.**

Design valid for use only with MiTek® connectors. This design is based only upon parameters shown, and is for an individual building component, not a truss system. Before use, the building designer must verify the applicability of design parameters and properly incorporate this design into the overall building design. Bracing indicated is to prevent buckling of individual truss web and/or chord members only. Additional temporary and permanent bracing is always required for stability and to prevent collapse with possible personal injury and property damage. For general guidance regarding the fabrication, storage, delivery, erection and bracing of trusses and truss systems, see

ANSI/TPI1 Quality Criteria, DSB-89 and BCSI Building Component

Safety Information available from Truss Plate Institute, 2670 Crain Highway, Suite 203 Waldorf, MD 20601



240 Stirling Crescent  
Bradford, ON. L3Z 4L5

Job	Truss	Truss Type	Qty	Ply	Buildings A-H	U1530899
N0653A	Y3A	Monopitch	6	1		

Alliance Truss (CA), Abbotsford, BC - V2S 7P6, 8.820 s Aug 30 2024 MiTek Industries, Inc. Thu Sep 12 02:48:41 2024 Page 1  
 ID:hFyjDMxrTsEK\_kgkR0vWVvzFlgc-dRIBFoUCIhEWI60J8k5RvTzTAyza20iKcp92MMyeVqa

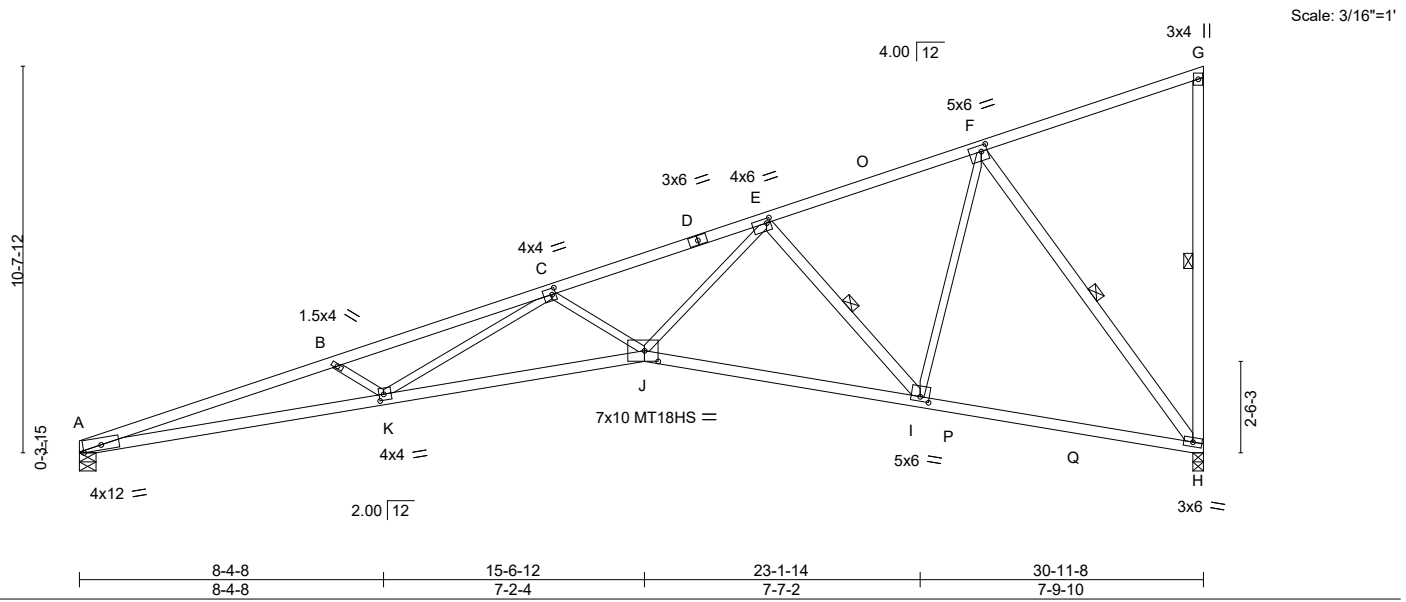


Plate Offsets (X,Y)-- [C:0-1-4,0-2-0], [E:0-1-4,0-1-8], [F:0-2-0,0-2-0], [I:0-3-0,0-1-8], [J:0-4-8,0-3-8], [K:0-1-8,0-2-0]

LOADING (psf)	SPACING-	CSI.	DEFL.	in (loc)	l/defl	L/d	PLATES	GRIP
TCLL 25.0 (Roof Snow=25.0)	2-0-0 Plate Grip DOL 1.15	TC 0.82	Vert(LL)	-0.64	J-K	>579	MT20	197/144
TCDL 12.0	Lumber DOL 1.15	BC 0.88	Vert(CT)	-1.14	J-K	>323	MT18HS	197/144
BCLL 0.0 *	Rep Stress Incr YES	WB 0.96	Horz(CT)	0.47	H	n/a		
BCDL 10.0	Code IBC2018/TPI2014	Matrix-MS	Wind(LL)	0.33	J-K	>999		
							Weight: 121 lb	FT = 20%

LUMBER-	BRACING-
TOP CHORD 2x4 SPF No.2 *Except* A-D: 2x4 SPF 2100F 1.8E	TOP CHORD Structural wood sheathing directly applied or 2-2-0 oc purlins, except end verticals.
BOT CHORD 2x4 SPF 2100F 1.8E	BOT CHORD Rigid ceiling directly applied or 8-2-7 oc bracing.
WEBS 2x3 SPF No.2 *Except* G-H,E-I,F-H: 2x4 SPF No.2	WEBS 1 Row at midpt G-H, E-I, F-H

**REACTIONS.** (size) H=0-3-8, A=0-5-8  
 Max Horz A=340(LC 9)  
 Max Uplift H=-209(LC 10), A=-157(LC 6)  
 Max Grav H=1764(LC 3), A=1535(LC 3)

**FORCES.** (lb) - Max. Comp./Max. Ten. - All forces 250 (lb) or less except when shown.  
 TOP CHORD A-B=-6974/830, B-C=-6628/745, C-E=-4815/539, E-F=-1658/191, G-H=-285/49  
 BOT CHORD A-K=-914/6667, J-K=-689/5299, I-J=-316/2753, H-I=-132/1208  
 WEBS B-K=-466/170, C-K=-102/1264, C-J=-908/213, E-J=-297/2744, E-I=-1858/309,  
 F-I=-126/1550, F-H=-1973/262

- NOTES-**
- 1) Wind: ASCE 7-16; Vult=115mph (3-second gust) Vasd=91mph; TCDL=4.2psf; BCDL=5.0psf; h=30ft; Ke=1.00; Cat. II; Exp B; Enclosed; MWFRS (envelope) gable end zone; cantilever left and right exposed; end vertical left and right exposed; Lumber DOL=1.33 plate grip DOL=1.33
  - 2) TCLL: ASCE 7-16; Pf=25.0 psf (Lum DOL = 1.15 Plate DOL = 1.15); Is=1.0; Rough Cat B; Partially Exp.; Ce=1.0; Cs=1.00; Ct=1.10
  - 3) Unbalanced snow loads have been considered for this design.
  - 4) All plates are MT20 plates unless otherwise indicated.
  - 5) This truss has been designed for a 10.0 psf bottom chord live load nonconcurrent with any other live loads.
  - 6) \* This truss has been designed for a live load of 20.0psf on the bottom chord in all areas where a rectangle 3-6-0 tall by 2-0-0 wide will fit between the bottom chord and any other members, with BCDL = 10.0psf.
  - 7) Bearing at joint(s) H, A considers parallel to grain value using ANSI/TPI 1 angle to grain formula. Building designer should verify capacity of bearing surface.
  - 8) Provide mechanical connection (by others) of truss to bearing plate capable of withstanding 100 lb uplift at joint(s) except (jt=lb) H=209, A=157.
  - 9) This truss is designed in accordance with the 2018 International Building Code section 2306.1 and referenced standard ANSI/TPI 1.



September 12, 2024

Job	Truss	Truss Type	Qty	Ply	Buildings A-H	U1530817
N0653A	Y4	Monopitch	30	1		

Alliance Truss (CA), Abbotsford, BC - V2S 7P6, 8.630 s Jul 12 2024 MiTek Industries, Inc. Thu Sep 12 02:47:58 2024 Page 1

ID:hFyjDMxrTsEK\_kgkR0vWWVzFfgc-RfC?PsB70Hq3NSgPqnL8w3ulTXbGKWrCDoi7J4zJC?f

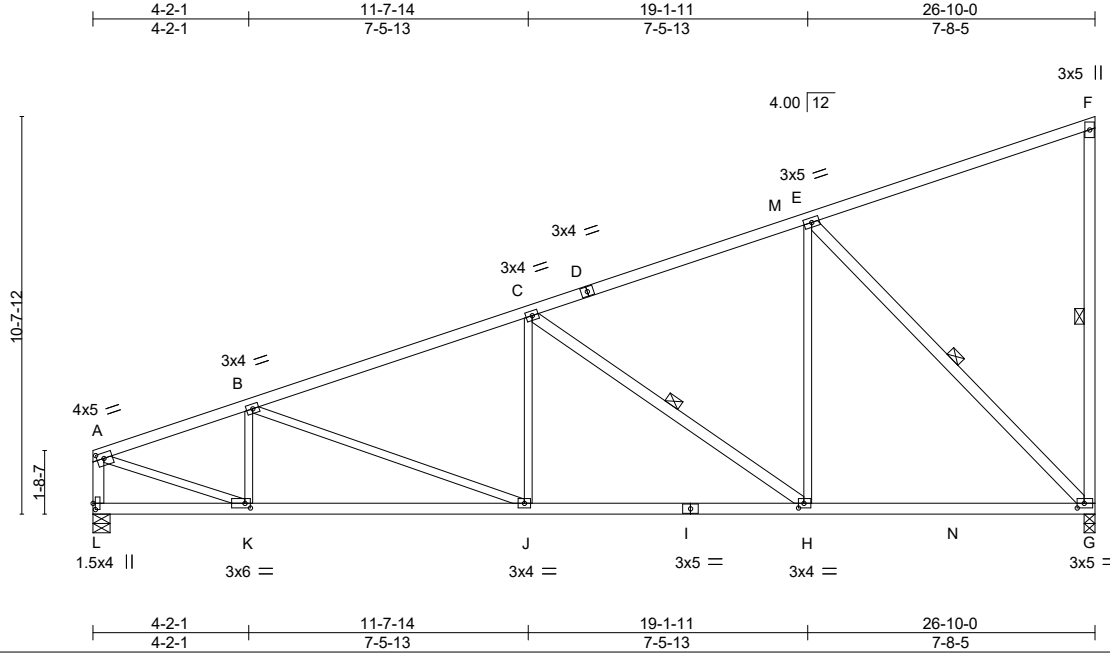


Plate Offsets (X,Y)-- [A:0-2-4,0-1-12], [G:0-2-4,0-1-8], [H:0-1-12,0-1-8], [K:0-1-12,0-1-8], [L:0-2-0,0-0-12]

<b>LOADING</b> (psf)	<b>SPACING-</b>	<b>CSI.</b>	<b>DEFL.</b>	<b>PLATES</b>	<b>GRIP</b>
TCLL 25.0 (Roof Snow=25.0)	2-0-0 Plate Grip DOL 1.15 Lumber DOL 1.15 Rep Stress Incr YES Code IBC2018/TPI2014	TC 0.70 BC 0.79 WB 0.83 Matrix-MS	in (loc) l/defl L/d Vert(LL) -0.16 G-H >999 360 Vert(CT) -0.26 G-H >999 240 Horz(CT) 0.06 G n/a n/a Wind(LL) 0.05 G-H >999 240	MT20 Weight: 120 lb	197/144 FT = 20%

**LUMBER-**

TOP CHORD 2x4 SPF 2100F 1.8E \*Except\*  
A-D: 2x4 SPF No.2  
BOT CHORD 2x4 SPF No.2  
WEBS 2x3 SPF No.2 \*Except\*  
F-G,C-H,E-G,A-L: 2x4 SPF No.2

**BRACING-**

TOP CHORD Structural wood sheathing directly applied or 3-0-7 oc purlins, except end verticals.  
BOT CHORD Rigid ceiling directly applied or 10-0-0 oc bracing.  
WEBS 1 Row at midpt F-G, C-H, E-G

**REACTIONS.**

(size) G=0-3-8, L=0-5-8  
Max Horz L=333(LC 7)  
Max Uplift G=-186(LC 10), L=-130(LC 6)  
Max Grav G=1520(LC 3), L=1328(LC 3)

**FORCES.** (lb) - Max. Comp./Max. Ten. - All forces 250 (lb) or less except when shown.

TOP CHORD A-B=-1868/185, B-C=-1925/200, C-E=-1212/145, F-G=-358/63, A-L=-1278/140  
BOT CHORD K-L=-318/42, J-K=-270/1749, H-J=-214/1759, G-H=-122/1089  
WEBS B-K=-487/125, C-J=0/306, C-H=-851/158, E-H=-20/828, E-G=-1540/227, A-K=-173/1821

**NOTES-**

- 1) Wind: ASCE 7-16; Vult=115mph (3-second gust) Vasd=91mph; TCDL=4.2psf; BCDL=5.0psf; h=30ft; Ke=1.00; Cat. II; Exp B; Enclosed; MWFRS (envelope) gable end zone; cantilever left and right exposed ; end vertical left and right exposed; Lumber DOL=1.33 plate grip DOL=1.33
- 2) TCLL: ASCE 7-16; Pf=25.0 psf (Lum DOL=1.15 Plate DOL=1.15); Is=1.0; Rough Cat B; Partially Exp.; Ce=1.0; Cs=1.00; Ct=1.10
- 3) Unbalanced snow loads have been considered for this design.
- 4) This truss has been designed for a 10.0 psf bottom chord live load nonconcurrent with any other live loads.
- 5) \* This truss has been designed for a live load of 20.0psf on the bottom chord in all areas where a rectangle 3-6-0 tall by 2-0-0 wide will fit between the bottom chord and any other members, with BCDL = 10.0psf.
- 6) Provide mechanical connection (by others) of truss to bearing plate capable of withstanding 100 lb uplift at joint(s) except (jt=lb) G=186, L=130.
- 7) This truss is designed in accordance with the 2018 International Building Code section 2306.1 and referenced standard ANSI/TPI 1.



September 12, 2024

**WARNING - Verify design parameters and READ NOTES ON THIS AND INCLUDED MITEK REFERENCE PAGE MII-7473 rev. 6/30/2020 BEFORE USE.**

Design valid for use only with MiTek® connectors. This design is based only upon parameters shown, and is for an individual building component, not a truss system. Before use, the building designer must verify the applicability of design parameters and properly incorporate this design into the overall building design. Bracing indicated is to prevent buckling of individual truss web and/or chord members only. Additional temporary and permanent bracing is always required for stability and to prevent collapse with possible personal injury and property damage. For general guidance regarding the fabrication, storage, delivery, erection and bracing of trusses and truss systems, see **ANSI/TPI1 Quality Criteria, DSB-89 and BCSI Building Component Safety Information** available from Truss Plate Institute, 2670 Crain Highway, Suite 203 Waldorf, MD 20601



Job	Truss	Truss Type	Qty	Ply	Buildings A-H	U1530900
N0653A	Y5	GABLE	6	1		

Alliance Truss (CA), Abbotsford, BC - V2S 7P6, 8.820 s Aug 30 2024 MiTek Industries, Inc. Thu Sep 12 02:48:42 2024 Page 1  
 ID:hFyjDMxrTsEK\_kgkR0vWWVzFlgc-5eJZT7VqW\_MNMGbViSdgShVcuMRiJVcrZGZjboyeVqZ

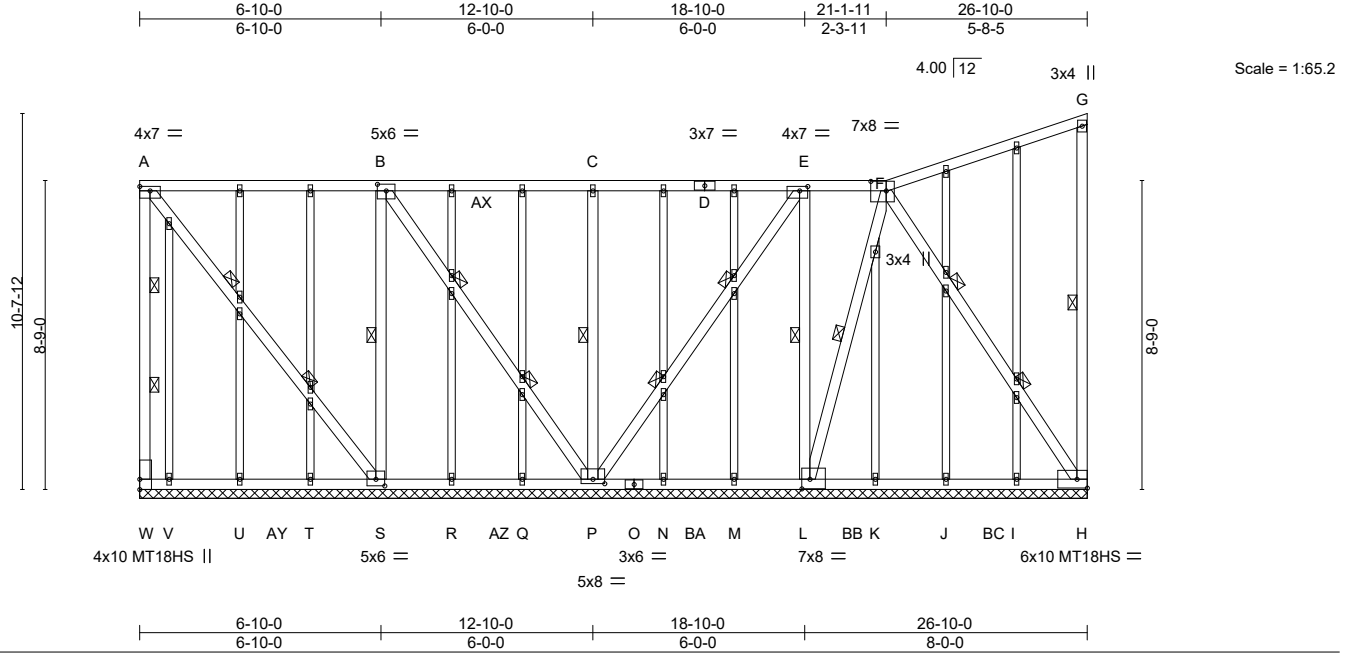


Plate Offsets (X,Y)-- [A:Edge,0-1-8], [B:0-3-0,0-2-4], [E:0-2-12,0-1-8], [F:0-5-4,0-3-4], [L:0-2-12,0-3-4], [P:0-4-0,0-1-8], [S:0-3-0,0-2-4]

<b>LOADING</b> (psf)	<b>SPACING-</b>	<b>CSI.</b>	<b>DEFL.</b>	<b>PLATES</b>	<b>GRIP</b>
TCLL 25.0 (Roof Snow=25.0)	2-0-0 Plate Grip DOL 1.15 Lumber DOL 1.15 Rep Stress Incr YES Code IBC2018/TPI2014	TC 0.88 BC 0.33 WB 1.00 Matrix-S	in (loc) l/defl L/d Vert(LL) n/a - n/a 999 Vert(CT) n/a - n/a 999 Horz(CT) -0.02 H n/a n/a	MT20 MT18HS Weight: 231 lb	197/144 197/144 FT = 20%

<b>LUMBER-</b>	<b>BRACING-</b>
TOP CHORD 2x4 SPF No.2 BOT CHORD 2x4 SPF No.2 WEBS 2x4 SPF No.2 OTHERS 2x3 SPF No.2	TOP CHORD Structural wood sheathing directly applied or 2-7-8 oc purlins, except end verticals. BOT CHORD Rigid ceiling directly applied or 4-6-12 oc bracing. WEBS 1 Row at midpt G-H, B-S, C-P, E-L, F-L 2 Rows at 1/3 pts A-W, A-S, B-P, E-P, F-H

**REACTIONS.** All bearings 26-10-0.  
 (lb) - Max Horz W=173(LC 34)  
 Max Uplift All uplift 100 lb or less at joint(s) except W=-2139(LC 36), H=-2305(LC 41), S=-150(LC 41), P=-226(LC 41), L=-891(LC 40), V=-119(LC 35)  
 Max Grav All reactions 250 lb or less at joint(s) I, J, K, M, N, Q, R, T, U, V except W=2097(LC 35), H=2315(LC 52), S=650(LC 64), P=1112(LC 64), L=1083(LC 29)

**FORCES.** (lb) - Max. Comp./Max. Ten. - All forces 250 (lb) or less except when shown.  
 TOP CHORD A-W=-2014/2015, A-B=-1598/1568, B-C=-1350/1315, C-E=-1662/1627, E-F=-876/827, F-G=-1443/1387, G-H=-292/69  
 BOT CHORD V-W=-265/207, U-V=-745/687, T-U=-1225/1167, S-T=-1705/1647, R-S=-605/557, Q-R=-1085/1037, P-Q=-1565/1517, N-P=-1184/1160, M-N=-704/680, L-M=-307/283, K-L=-460/452, J-K=-552/543, I-J=-1032/1023, H-I=-1474/1468  
 WEBS A-S=-2532/2548, B-S=-2022/2020, B-P=-2379/2377, C-P=-657/135, E-P=-2325/2308, E-L=-1883/1887, F-L=-2787/2764, F-H=-2671/2688

- NOTES-**
- 1) Wind: ASCE 7-16; Vult=115mph (3-second gust) Vasd=91mph; TCCL=4.2psf; BCDL=5.0psf; h=30ft; Ke=1.00; Cat. II; Exp B; Enclosed; MWFRS (envelope) gable end zone; cantilever left exposed; end vertical left exposed; Lumber DOL=1.33 plate grip DOL=1.33
  - 2) Truss designed for wind loads in the plane of the truss only. For studs exposed to wind (normal to the face), see Standard Industry Gable End Details as applicable, or consult qualified building designer as per ANSI/TPI 1.
  - 3) TCLL: ASCE 7-16; Pf=25.0 psf (Lum DOL = 1.15 Plate DOL = 1.15); Is=1.0; Rough Cat B; Partially Exp.; Ce=1.0; Cs=1.00; Ct=1.10
  - 4) Unbalanced snow loads have been considered for this design.
  - 5) Provide adequate drainage to prevent water ponding.
  - 6) All plates are MT20 plates unless otherwise indicated.
  - 7) All plates are 1.5x4 MT20 unless otherwise indicated.
  - 8) Gable requires continuous bottom chord bearing.
  - 9) Gable studs spaced at 2-0-0 oc.
  - 10) This truss has been designed for a 10.0 psf bottom chord live load nonconcurrent with any other live loads.
  - 11) \* This truss has been designed for a live load of 20.0psf on the bottom chord in all areas where a rectangle 3-6-0 tall by 2-0-0 wide will fit between the bottom chord and any other members, with BCDL = 10.0psf.
  - 12) Provide mechanical connection (by others) of truss to bearing plate capable of withstanding 2139 lb uplift at joint W, 2305 lb uplift at joint H, 150 lb uplift at joint S, 226 lb uplift at joint P, 891 lb uplift at joint L and 119 lb uplift at joint V.
  - 13) This truss is designed in accordance with the 2018 International Building Code section 2306.1 and referenced standard ANSI/TPI



September 12, 2024


Job	Truss	Truss Type	Qty	Ply	Buildings A-H	U1530900
N0653A	Y5	GABLE	6	1	Job Reference (optional)	

Alliance Truss (CA), Abbotsford, BC - V2S 7P6,

8.820 s Aug 30 2024 MiTek Industries, Inc. Thu Sep 12 02:48:42 2024 Page 2  
 ID:hFyjDMxrTsEK\_kgkR0vWWWzF1gc-5eJZT7VqW\_MNMGbViSdgShVcuMRiJVcrZGZjboyeVqZ

**NOTES-**

14) This truss has been designed for a total drag load of 240 plf. Lumber DOL=(1.33) Plate grip DOL=(1.33) Connect truss to resist drag loads along bottom chord from 0-0-0 to 26-10-0 for 240.0 plf.

 **WARNING - Verify design parameters and READ NOTES ON THIS AND INCLUDED MITEK REFERANCE PAGE MII-7473 rev. 6/30/2020 BEFORE USE.**  
 Design valid for use only with MiTek® connectors. This design is based only upon parameters shown, and is for an individual building component, not a truss system. Before use, the building designer must verify the applicability of design parameters and properly incorporate this design into the overall building design. Bracing indicated is to prevent buckling of individual truss web and/or chord members only. Additional temporary and permanent bracing is always required for stability and to prevent collapse with possible personal injury and property damage. For general guidance regarding the fabrication, storage, delivery, erection and bracing of trusses and truss systems, see **ANSI/TPI1 Quality Criteria, DSB-89 and BCSI Building Component Safety Information** available from Truss Plate Institute, 2670 Crain Highway, Suite 203 Waldorf, MD 20601



Job	Truss	Truss Type	Qty	Ply	Buildings A-H	U1530818
N0653A	Y6	GABLE	6	1		

Alliance Truss (CA), Abbotsford, BC - V2S 7P6,

8.630 s Jul 12 2024 MiTek Industries, Inc. Thu Sep 12 02:47:59 2024 Page 1

ID:hFyjDMxrTsEK\_kgkR0vWWVzFfgC-RfC?PsB70Hq3NSgPqnL8w3uTXbGKWRCDoi7J4zJC?f

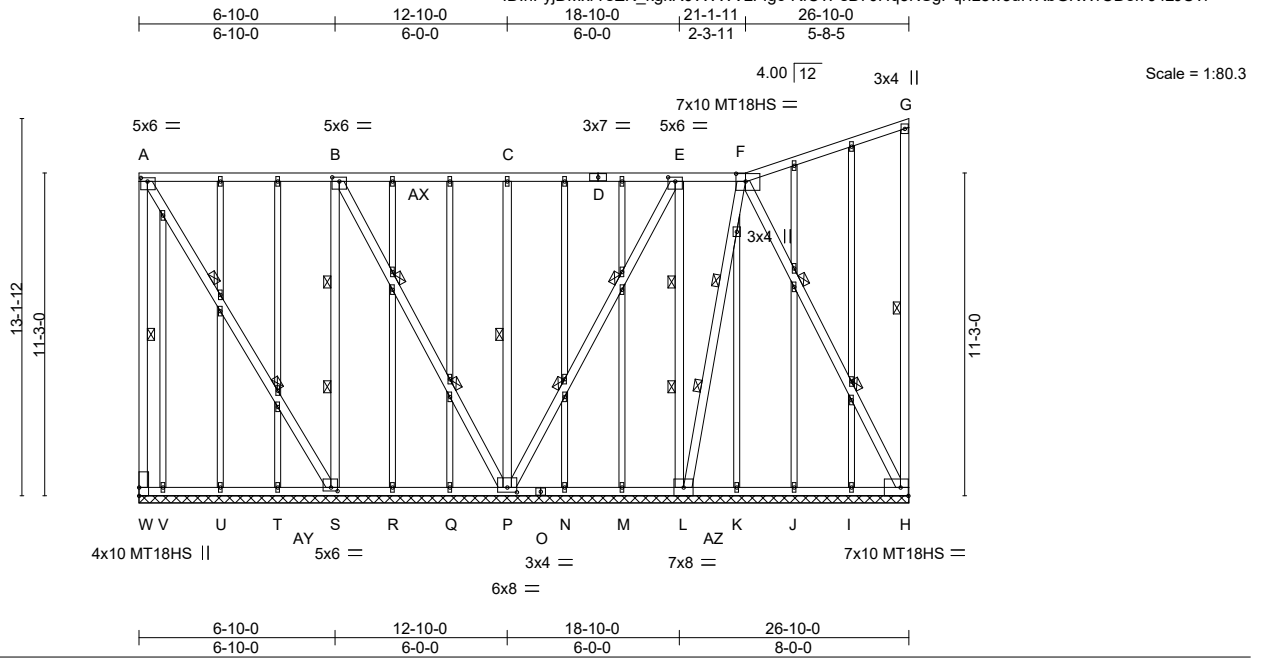


Plate Offsets (X,Y)-- [A:0-2-12,0-1-8], [B:0-3-0,0-1-12], [E:0-3-0,0-1-12], [F:0-4-0,0-3-4], [H:0-3-4,Edge], [P:0-4-0,0-2-0], [S:0-2-12,0-1-8]

LOADING (psf)	SPACING-	CSI.	DEFL.	PLATES	GRIP
TCLL 25.0 (Roof Snow=25.0)	2-0-0 Plate Grip DOL 1.15	TC 0.96	in (loc) l/defl L/d	MT20	197/144
TCDL 12.0	Lumber DOL 1.15	BC 0.32	Vert(LL) n/a - n/a 999	MT18HS	197/144
BCLL 0.0 *	Rep Stress Incr YES	WB 1.00	Vert(CT) n/a - n/a 999		
BCDL 10.0	Code IBC2018/TPI2014	Matrix-S	Horz(CT) -0.02 H n/a n/a		
				Weight: 278 lb	FT = 20%

**LUMBER-**

TOP CHORD 2x4 SPF No.2  
 BOT CHORD 2x4 SPF No.2  
 WEBS 2x4 SPF 2100F 1.8E \*Except\*  
 G-H,B-S,C-P,E-L: 2x4 SPF No.2  
 OTHERS 2x3 SPF No.2

**BRACING-**

TOP CHORD Structural wood sheathing directly applied or 2-7-8 oc purlins, except end verticals.  
 BOT CHORD Rigid ceiling directly applied or 4-7-8 oc bracing.  
 WEBS 1 Row at midpt A-W, G-H, C-P  
 2 Rows at 1/3 pts A-S, B-S, B-P, E-P, E-L, F-L, F-H

**REACTIONS.**

All bearings 26-10-0.  
 (lb) - Max Horz W=56(LC 32)  
 Max Uplift All uplift 100 lb or less at joint(s) V except W=-2743(LC 32), H=-3094(LC 33), S=-471(LC 33), P=-231(LC 32), L=-1185(LC 32)  
 Max Grav All reactions 250 lb or less at joint(s) I, J, K, M, N, Q, R, T, U, V except W=2772(LC 53), H=3090(LC 52), S=664(LC 28), P=1272(LC 64), L=1269(LC 29)

**FORCES.** (lb) - Max. Comp./Max. Ten. - All forces 250 (lb) or less except when shown.

TOP CHORD A-W=-2737/2708, A-B=-1642/1624, B-C=-1333/1313, C-E=-1652/1632, E-F=-875/850,  
 F-G=-1442/1386, G-H=-291/71  
 BOT CHORD U-V=-700/645, T-U=-1180/1125, S-T=-1660/1605, R-S=-495/454, Q-R=-975/934,  
 P-Q=-1455/1414, N-P=-1133/1114, M-N=-653/634, L-M=-382/362, K-L=-361/349,  
 J-K=-613/601, I-J=-1093/1081, H-I=-1538/1526  
 WEBS A-S=-3132/3159, B-S=-2398/2372, B-P=-2680/2691, C-P=-657/141, E-P=-2718/2684,  
 E-L=-2322/2339, F-L=-3521/3482, F-H=-3374/3401

**NOTES-**

- Wind: ASCE 7-16; Vult=115mph (3-second gust) Vasd=91mph; TCDL=4.2psf; BCDL=5.0psf; h=30ft; Ke=1.00; Cat. II; Exp B; Enclosed; MWFRS (envelope) gable end zone; Lumber DOL=1.33 plate grip DOL=1.33
- Truss designed for wind loads in the plane of the truss only. For studs exposed to wind (normal to the face), see Standard Industry Gable End Details as applicable, or consult qualified building designer as per ANSI/TPI 1.
- TCLL: ASCE 7-16; Pf=25.0 psf (Lum DOL=1.15 Plate DOL=1.15); Is=1.0; Rough Cat B; Partially Exp.; Ce=1.0; Cs=1.0; Ct=1.10
- Unbalanced snow loads have been considered for this design.
- Provide adequate drainage to prevent water ponding.
- All plates are MT20 plates unless otherwise indicated.
- All plates are 1.5x4 MT20 unless otherwise indicated.
- Gable requires continuous bottom chord bearing.
- Gable studs spaced at 2-0-0 oc.
- This truss has been designed for a 10.0 psf bottom chord live load nonconcurrent with any other live loads.
- \* This truss has been designed for a live load of 20.0psf on the bottom chord in all areas where a rectangle 3-6-0 tall by 2-0-0 wide will fit between the bottom chord and any other members, with BCDL = 10.0psf.
- Provide mechanical connection (by others) of truss to bearing plate capable of withstanding 100 lb uplift at joint(s) V except (jt=lb) W=2743, H=3094, S=471, P=231, L=1185.
- This truss is designed in accordance with the 2018 International Building Code section 2306.1 and referenced standard ANSI/TPI



September 12, 2024

Continued on page 2

**WARNING - Verify design parameters and READ NOTES ON THIS AND INCLUDED MITEK REFERENCE PAGE MII-7473 rev. 6/30/2020 BEFORE USE.**

Design valid for use only with MiTek® connectors. This design is based only upon parameters shown, and is for an individual building component, not a truss system. Before use, the building designer must verify the applicability of design parameters and properly incorporate this design into the overall building design. Bracing indicated is to prevent buckling of individual truss web and/or chord members only. Additional temporary and permanent bracing is always required for stability and to prevent collapse with possible personal injury and property damage. For general guidance regarding the fabrication, storage, delivery, erection and bracing of trusses and truss systems, see

ANSI/TPI1 Quality Criteria, DSB-89 and BCSI Building Component

Safety Information available from Truss Plate Institute, 2670 Crain Highway, Suite 203 Waldorf, MD 20601



240 Stirling Crescent  
 Bradford, ON. L3Z 4L5



Job	Truss	Truss Type	Qty	Ply	Buildings A-H	U1530818
N0653A	Y6	GABLE	6	1	Job Reference (optional)	

Alliance Truss (CA), Abbotsford, BC - V2S 7P6,

8.630 s Jul 12 2024 MiTek Industries, Inc. Thu Sep 12 02:48:00 2024 Page 2  
 ID:hFyjDMxrTsEK\_kgkR0vWWVzFigc-RfC?PsB70Hq3NSgPqnL8w3ulTXbGKWrCDoi7J4zJC?f

**NOTES-**

14) This truss has been designed for a total drag load of 240 plf. Lumber DOL=(1.33) Plate grip DOL=(1.33) Connect truss to resist drag loads along bottom chord from 0-0-0 to 26-10-0 for 240.0 plf.



**WARNING - Verify design parameters and READ NOTES ON THIS AND INCLUDED MITEK REFERENCE PAGE MII-7473 rev. 6/30/2020 BEFORE USE.**

Design valid for use only with MiTek® connectors. This design is based only upon parameters shown, and is for an individual building component, not a truss system. Before use, the building designer must verify the applicability of design parameters and properly incorporate this design into the overall building design. Bracing indicated is to prevent buckling of individual truss web and/or chord members only. Additional temporary and permanent bracing is always required for stability and to prevent collapse with possible personal injury and property damage. For general guidance regarding the fabrication, storage, delivery, erection and bracing of trusses and truss systems, see

**ANSI/TPI1 Quality Criteria, DSB-89 and BCSI Building Component**

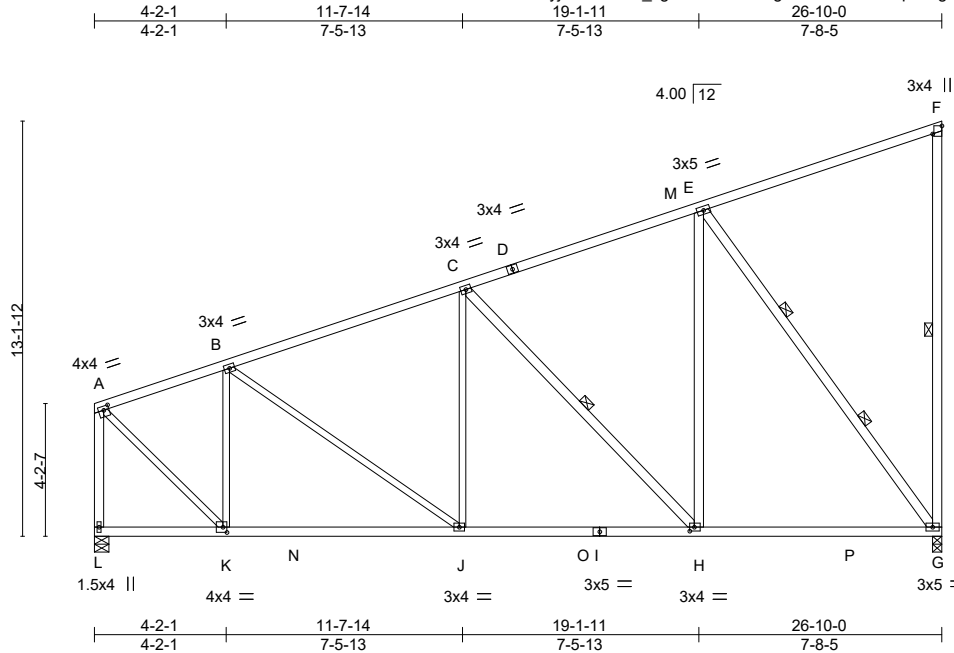
**Safety Information** available from Truss Plate Institute, 2670 Crain Highway, Suite 203 Waldorf, MD 20601



240 Stirling Crescent  
 Bradford, ON. L3Z 4L5

Job	Truss	Truss Type	Qty	Ply	Buildings A-H	U1530819
N0653A	Y7	MONOPITCH	36	1		

Alliance Truss (CA), Abbotsford, BC - V2S 7P6, 8.630 s Jul 12 2024 MiTek Industries, Inc. Thu Sep 12 02:48:00 2024 Page 1  
 ID:hFyjDMxRTsEK\_kgkR0vWWVzFfgc-RfC?PsB70Hq3NSgPqnL8w3ulTXbGKWrCDoi7J4zJC?f



Scale = 1:73.0

Plate Offsets (X,Y)-- [A:0-2-0,0-1-8], [F:Edge,0-3-8], [H:0-1-12,0-1-8], [K:0-1-8,0-2-0]

LOADING (psf)	SPACING-	CSI.	DEFL.	in (loc)	l/defl	L/d	PLATES	GRIP
TCLL 25.0 (Roof Snow=25.0)	2-0-0 Plate Grip DOL 1.15	TC 0.71	Vert(LL)	-0.16	G-H	>999	MT20	197/144
TCDL 12.0	Lumber DOL 1.15	BC 0.72	Vert(CT)	-0.27	G-H	>999		
BCLL 0.0 *	Rep Stress Incr YES	WB 0.79	Horz(CT)	0.04	G	n/a		
BCDL 10.0	Code IBC2018/TPI2014	Matrix-MS	Wind(LL)	0.03	J	>999	Weight: 141 lb	FT = 20%

**LUMBER-**

TOP CHORD 2x4 SPF 2100F 1.8E \*Except\*  
 A-D: 2x4 SPF No.2  
 BOT CHORD 2x4 SPF No.2  
 WEBS 2x4 SPF No.2 \*Except\*  
 B-K,B-J,C-J,A-K: 2x3 SPF No.2

**BRACING-**

TOP CHORD Structural wood sheathing directly applied or 4-0-8 oc purlins, except end verticals.  
 BOT CHORD Rigid ceiling directly applied or 10-0-0 oc bracing.  
 WEBS 1 Row at midpt F-G, C-H  
 2 Rows at 1/3 pts E-G

**REACTIONS.**

(size) G=0-3-8, L=0-5-8  
 Max Horz L=246(LC 7)  
 Max Uplift G=-238(LC 10), L=-76(LC 6)  
 Max Grav G=1567(LC 3), L=1384(LC 3)

**FORCES.** (lb) - Max. Comp./Max. Ten. - All forces 250 (lb) or less except when shown.

TOP CHORD A-B=-1040/50, B-C=-1393/71, C-E=-967/37, F-G=-357/78, A-L=-1343/85  
 BOT CHORD J-K=-297/973, H-J=-248/1254, G-H=-141/856  
 WEBS B-K=-758/118, B-J=0/344, C-H=-610/155, E-H=-28/801, E-G=-1426/237, A-K=-71/1355

**NOTES-**

- 1) Wind: ASCE 7-16; Vult=115mph (3-second gust) Vasd=91mph; TCDL=4.2psf; BCDL=5.0psf; h=30ft; Ke=1.00; Cat. II; Exp B; Enclosed; MWFRS (envelope) gable end zone; cantilever left exposed; end vertical left exposed; Lumber DOL=1.33 plate grip DOL=1.33
- 2) TCLL: ASCE 7-16; Pf=25.0 psf (Lum DOL=1.15 Plate DOL=1.15); Is=1.0; Rough Cat B; Partially Exp.; Ce=1.0; Cs=1.00; Ct=1.10
- 3) Unbalanced snow loads have been considered for this design.
- 4) This truss has been designed for a 10.0 psf bottom chord live load nonconcurrent with any other live loads.
- 5) \* This truss has been designed for a live load of 20.0psf on the bottom chord in all areas where a rectangle 3-6-0 tall by 2-0-0 wide will fit between the bottom chord and any other members, with BCDL = 10.0psf.
- 6) Provide mechanical connection (by others) of truss to bearing plate capable of withstanding 100 lb uplift at joint(s) L except (jt=lb) G=238.
- 7) This truss is designed in accordance with the 2018 International Building Code section 2306.1 and referenced standard ANSI/TPI 1.



September 12, 2024

**WARNING - Verify design parameters and READ NOTES ON THIS AND INCLUDED MITEK REFERENCE PAGE MII-7473 rev. 6/30/2020 BEFORE USE.**

Design valid for use only with MiTek® connectors. This design is based only upon parameters shown, and is for an individual building component, not a truss system. Before use, the building designer must verify the applicability of design parameters and properly incorporate this design into the overall building design. Bracing indicated is to prevent buckling of individual truss web and/or chord members only. Additional temporary and permanent bracing is always required for stability and to prevent collapse with possible personal injury and property damage. For general guidance regarding the fabrication, storage, delivery, erection and bracing of trusses and truss systems, see **ANSI/TPI1 Quality Criteria, DSB-89 and BCSI Building Component Safety Information** available from Truss Plate Institute, 2670 Crain Highway, Suite 203 Waldorf, MD 20601



240 Stirling Crescent  
 Bradford, ON. L3Z 4L5

Job	Truss	Truss Type	Qty	Ply	Buildings A-H	U1530901
N0653A	Y8A	GABLE	6	1		

Alliance Truss (CA), Abbotsford, BC - V2S 7P6, 8.820 s Aug 30 2024 MiTek Industries, Inc. Thu Sep 12 02:48:44 2024 Page 1  
 ID:hFyjDMxrTsEK\_kgkR0vWWVzFlgc-10RKtpW42cc5caluqt8X6b\_5A0BnRs80a2pfhyeVqX

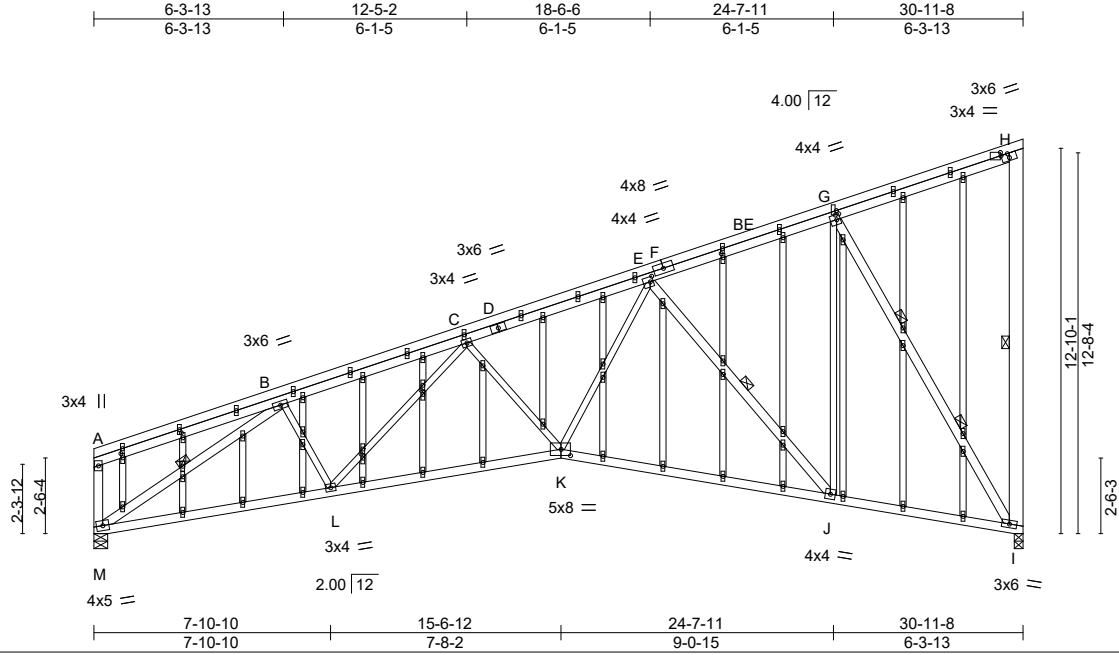


Plate Offsets (X,Y)--	[E:0-1-4,0-2-0], [G:0-1-8,0-2-0], [G:0-1-12,0-0-8], [H:0-2-12,0-0-8], [H:0-3-0,Edge], [K:0-3-12,0-2-8], [AC:0-1-10,0-0-12], [AO:0-1-11,0-0-12], [AR:0-1-11,0-0-12], [BA:0-2-0,0-0-10], [BD:0-1-11,0-0-12]
-----------------------	---

<b>LOADING</b> (psf)	<b>SPACING-</b>	<b>CSI.</b>	<b>DEFL.</b>	in (loc)	l/defl	L/d	<b>PLATES</b>	<b>GRIP</b>
TCLL 25.0 (Roof Snow=25.0)	2-0-0	TC 0.71	Vert(LL) -0.22	J-K	>999	360	MT20	197/144
TCDL 12.0	Plate Grip DOL 1.15	BC 0.77	Vert(CT) -0.51	J-K	>723	240		
BCLL 0.0 *	Lumber DOL 1.15	WB 0.89	Horz(CT) 0.20	I	n/a	n/a		
BCDL 10.0	Rep Stress Incr YES	Matrix-MS	Wind(LL) 0.10	K-L	>999	240	Weight: 257 lb	FT = 20%
	Code IBC2018/TPI2014							

<b>LUMBER-</b>	<b>BRACING-</b>
TOP CHORD 2x4 SPF No.2	TOP CHORD Structural wood sheathing directly applied or 3-1-13 oc purlins, except end verticals.
BOT CHORD 2x4 SPF No.2	BOT CHORD Rigid ceiling directly applied or 9-2-11 oc bracing.
WEBS 2x3 SPF No.2 *Except*	WEBS 1 Row at midpt H-I, E-J, B-M
H-I: 2x6 SPF No.2, E-J,G-I,A-M,B-M: 2x4 SPF No.2	2 Rows at 1/3 pts G-I
OTHERS 2x3 SPF No.2	

**REACTIONS.** (size) I=0-3-8, M=0-5-8  
 Max Horz M=401(LC 7)  
 Max Uplift I=-217(LC 10), M=-148(LC 6)  
 Max Grav I=1748(LC 16), M=1492(LC 16)


**FORCES.** (lb) - Max. Comp./Max. Ten. - All forces 250 (lb) or less except when shown.  
 TOP CHORD B-C=-2627/313, C-E=-2603/310, E-G=-1041/143, H-I=-301/54  
 BOT CHORD L-M=-399/2270, K-L=-358/2655, J-K=-252/1877, I-J=-137/946  
 WEBS B-L=0/380, C-L=-282/38, C-K=-347/139, E-K=-133/1270, E-J=-1429/259, G-J=-91/1116,  
 G-I=-1800/238, B-M=-2668/301

- NOTES-**
- 1) Wind: ASCE 7-16; Vult=115mph (3-second gust) Vasd=91mph; TCDL=4.2psf; BCCL=5.0psf; h=30ft; Ke=1.00; Cat. II; Exp B; Enclosed; MWFRS (envelope) gable end zone; cantilever left and right exposed; end vertical left and right exposed; Lumber DOL=1.33 plate grip DOL=1.33
  - 2) Truss designed for wind loads in the plane of the truss only. For studs exposed to wind (normal to the face), see Standard Industry Gable End Details as applicable, or consult qualified building designer as per ANSI/TPI 1.
  - 3) TCLL: ASCE 7-16; Pf=25.0 psf (Lum DOL = 1.15 Plate DOL = 1.15); Is=1.0; Rough Cat B; Partially Exp.; Ce=1.0; Cs=1.00; Ct=1.10
  - 4) Unbalanced snow loads have been considered for this design.
  - 5) All plates are 1.5x4 MT20 unless otherwise indicated.
  - 6) Gable studs spaced at 2-0-0 oc.
  - 7) This truss has been designed for a 10.0 psf bottom chord live load nonconcurrent with any other live loads.
  - 8) \* This truss has been designed for a live load of 20.0psf on the bottom chord in all areas where a rectangle 3-6-0 tall by 2-0-0 wide will fit between the bottom chord and any other members.
  - 9) Bearing at joint(s) I, M considers parallel to grain value using ANSI/TPI 1 angle to grain formula. Building designer should verify capacity of bearing surface.
  - 10) Provide mechanical connection (by others) of truss to bearing plate capable of withstanding 217 lb uplift at joint I and 148 lb uplift at joint M.
  - 11) This truss is designed in accordance with the 2018 International Building Code section 2306.1 and referenced standard ANSI/TPI 1.
  - 12) No notches allowed in overhang and 0 from left end and 0 from right end or 12" along rake from scarf, whichever is larger. Minimum 1.5x4 tie plates required at 2-0-0 o.c. maximum between the stacking chords. For edge-wise notching, provide at least one tie plate between each notch.



September 12, 2024

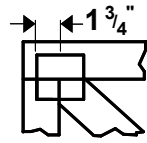
**WARNING - Verify design parameters and READ NOTES ON THIS AND INCLUDED MITEK REFERENCE PAGE MII-7473 rev. 6/30/2020 BEFORE USE.**  
 Design valid for use only with MiTek® connectors. This design is based only upon parameters shown, and is for an individual building component, not a truss system. Before use, the building designer must verify the applicability of design parameters and properly incorporate this design into the overall building design. Bracing indicated is to prevent buckling of individual truss web and/or chord members only. Additional temporary and permanent bracing is always required for stability and to prevent collapse with possible personal injury and property damage. For general guidance regarding the fabrication, storage, delivery, erection and bracing of trusses and truss systems, see **ANSI/TPI1 Quality Criteria, DSB-89 and BCSI Building Component Safety Information** available from Truss Plate Institute, 2670 Crain Highway, Suite 203 Waldorf, MD 20601



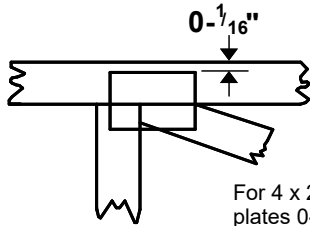
240 Stirling Crescent  
 Bradford, ON. L3Z 4L5

# Symbols

## PLATE LOCATION AND ORIENTATION



Center plate on joint unless x, y offsets are indicated. Dimensions are in ft-in-sixteenths. Apply plates to both sides of truss and fully embed teeth.



For 4 x 2 orientation, locate plates 0- 1/16" from outside edge of truss.



This symbol indicates the required direction of slots in connector plates.

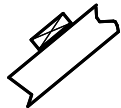
\* Plate location details available in MiTek 20/20 software or upon request.

## PLATE SIZE

4 x 4

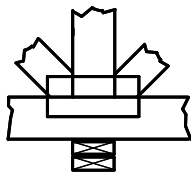
The first dimension is the plate width measured perpendicular to slots. Second dimension is the length parallel to slots.

## LATERAL BRACING LOCATION



Indicated by symbol shown and/or by text in the bracing section of the output. Use T or I bracing if indicated.

## BEARING

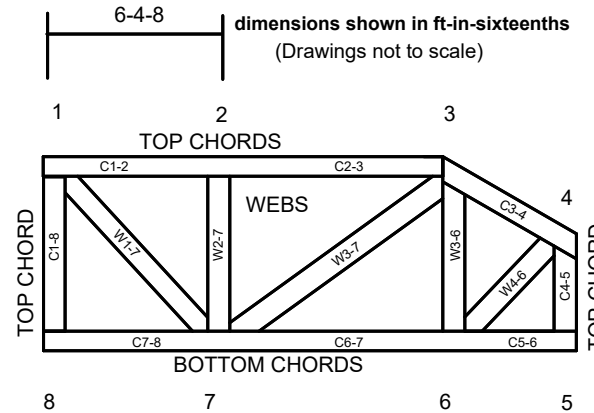


Indicates location where bearings (supports) occur. Icons vary but reaction section indicates joint number where bearings occur. Min size shown is for crushing only.

## Industry Standards:

- ANSI/TPI1: National Design Specification for Metal Plate Connected Wood Truss Construction.
- DSB-89: Design Standard for Bracing.
- BCSI: Building Component Safety Information, Guide to Good Practice for Handling, Installing & Bracing of Metal Plate Connected Wood Trusses.

# Numbering System



JOINTS ARE GENERALLY NUMBERED/LETTERED CLOCKWISE AROUND THE TRUSS STARTING AT THE JOINT FARTHEST TO THE LEFT.

CHORDS AND WEBS ARE IDENTIFIED BY END JOINT NUMBERS/LETTERS.

## PRODUCT CODE APPROVALS

ICC-ES Reports:

ESR-1311, ESR-1352, ESR1988  
ER-3907, ESR-2362, ESR-1397, ESR-3282

Trusses are designed for wind loads in the plane of the truss unless otherwise shown.

Lumber design values are in accordance with ANSI/TPI 1 section 6.3 These truss designs rely on lumber values established by others.

© 2012 MiTek® All Rights Reserved



MiTek Engineering Reference Sheet: MII-7473 rev. 6/30/2020

# General Safety Notes

## Failure to Follow Could Cause Property Damage or Personal Injury

1. Additional stability bracing for truss system, e.g. diagonal or X-bracing, is always required. See BCSI.
2. Truss bracing must be designed by an engineer. For wide truss spacing, individual lateral braces themselves may require bracing, or alternative Tor I bracing should be considered.
3. Never exceed the design loading shown and never stack materials on inadequately braced trusses.
4. Provide copies of this truss design to the building designer, erection supervisor, property owner and all other interested parties.
5. Cut members to bear tightly against each other.
6. Place plates on each face of truss at each joint and embed fully. Knots and wane at joint locations are regulated by ANSI/TPI 1.
7. Design assumes trusses will be suitably protected from the environment in accord with ANSI/TPI 1.
8. Unless otherwise noted, moisture content of lumber shall not exceed 19% at time of fabrication.
9. Unless expressly noted, this design is not applicable for use with fire retardant, preservative treated, or green lumber.
10. Camber is a non-structural consideration and is the responsibility of truss fabricator. General practice is to camber for dead load deflection.
11. Plate type, size, orientation and location dimensions indicated are minimum plating requirements.
12. Lumber used shall be of the species and size, and in all respects, equal to or better than that specified.
13. Top chords must be sheathed or purlins provided at spacing indicated on design.
14. Bottom chords require lateral bracing at 10 ft. spacing, or less, if no ceiling is installed, unless otherwise noted.
15. Connections not shown are the responsibility of others.
16. Do not cut or alter truss member or plate without prior approval of an engineer.
17. Install and load vertically unless indicated otherwise.
18. Use of green or treated lumber may pose unacceptable environmental, health or performance risks. Consult with project engineer before use.
19. Review all portions of this design (front, back, words and pictures) before use. Reviewing pictures alone is not sufficient.
20. Design assumes manufacture in accordance with ANSI/TPI 1 Quality Criteria.
21. The design does not take into account any dynamic or other loads other than those expressly stated.