

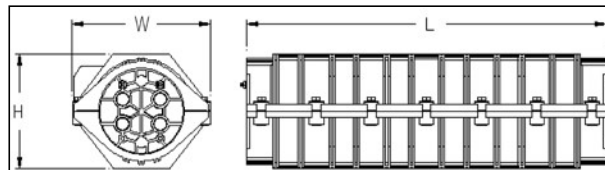
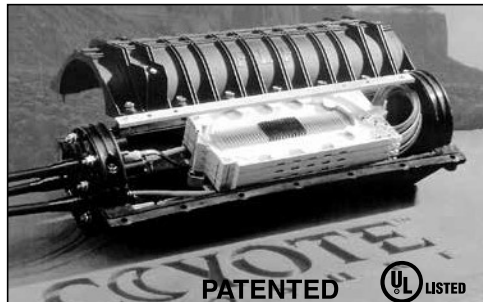
COYOTE® Closure

PLP Feature Focus

©2009 Preformed Line Products

Film available at
www.preformed.com

Origin of the Species...



Size	L (cm)	W (cm)	H (cm)
6.0" x 22"	22" (56)	8-1/2" (22)	7" (18)
8.5" x 22"	22" (56)	10-3/4" (27)	9-1/4" (24)

See pages 1-4 and 1-5 for Trays and Splice information

Setting the bar against which all other fiber closures are measured was no small task for our design team. But years of research & development eventually paid off in the form of a rugged and reliable design that has become legend.

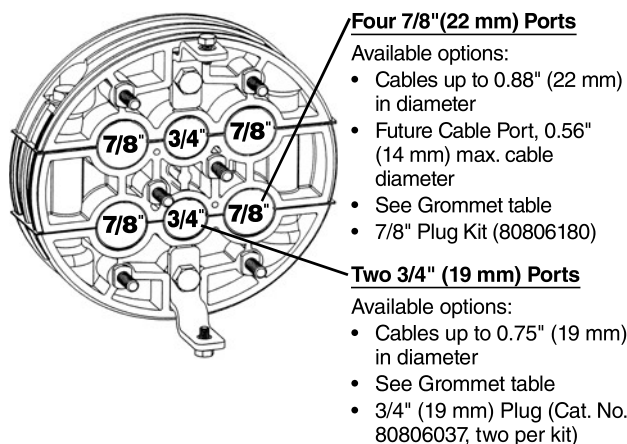
After over ten years of field use and several hundred thousand units sold, the original COYOTE Closure still remains one of the most highly regarded and widely used fiber optic closures in the industry.

Key Features:

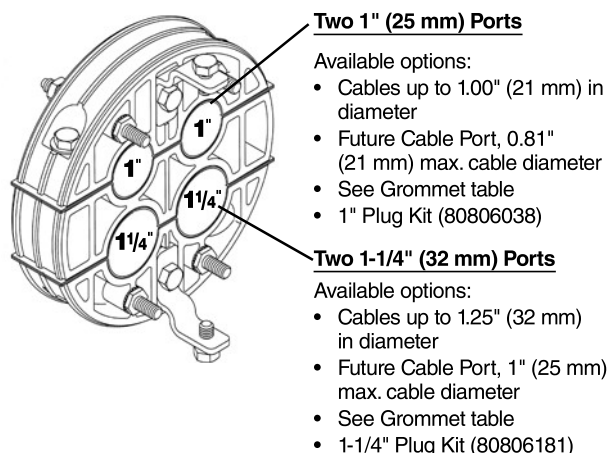
- **Sizes:**
 - 6.0" x 22" (15 cm x 56 cm)
 - 8.5" x 22" (22 cm x 56 cm)
- **End plate options: 4 Port and 6 Port**
 - 6 Port provides (4) 7/8" (22 mm) ports and (2) 3/4" (19 mm) ports
 - 4 Port provides (2) 1-1/4" (32 mm) ports and (2) 1" (25 mm) ports
- **Splice Capacity:**
 - Up to 396 with single fusion, 576 with mass fusion
- **Configuration:** Butt or In-line applications
- Organizers designed for loose buffer tube and ribbon applications
- Compact size allows for mounting in smaller locations
- Provided with LOCK-TAPE Sealant System
- Accepts a wide variety of grommets for multi drop applications
- Field proven permanent neoprene gasket system
- No re-entry kits required
- Future cable ports provide capability for future cable installation, without end plate removal
- Integrated air valve to confirm integrity of final assembly
- Full line of mounting hardware
- **UL Approved and RUS Listed**
- Tested in accordance to Telcordia GR-771 CORE

User options for COYOTE Closure Three-Section End Plate

Three-Section Six Port End Plate
(Cat. No. 80805105)



Three-Section Four Port End Plate
(Cat. No. 80805739)



Note: Three-Section Six Port End Plate Kits include three 7/8" (22 mm) Plugs, two (2) 3/4" (19 mm) Plugs and two Strength Member Brackets.