

PROJECT INFORMATION:

WATCHM-050-F

709 2ND ST. NW  
PUYALLUP, WA 98371

CURRENT ISSUE DATE:

12/16/21

ISSUE FOR:

CONSTRUCTION

ISSUE HISTORY:

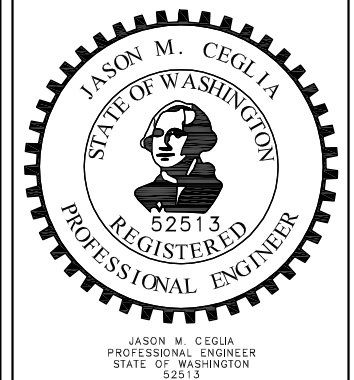
No.	Date	Revision	Int.
0	12/16/21	SUBMITTAL	MLG

PLANS PREPARED BY:

**MORRISON HERSHFIELD**  
600 STEWART STREET, SUITE 200  
SEATTLE, WA 98101  
Tel: 206.268.7370  
www.morrisonhershfield.com

MH PROJECT #: 201978000

SEAL OF APPROVAL:

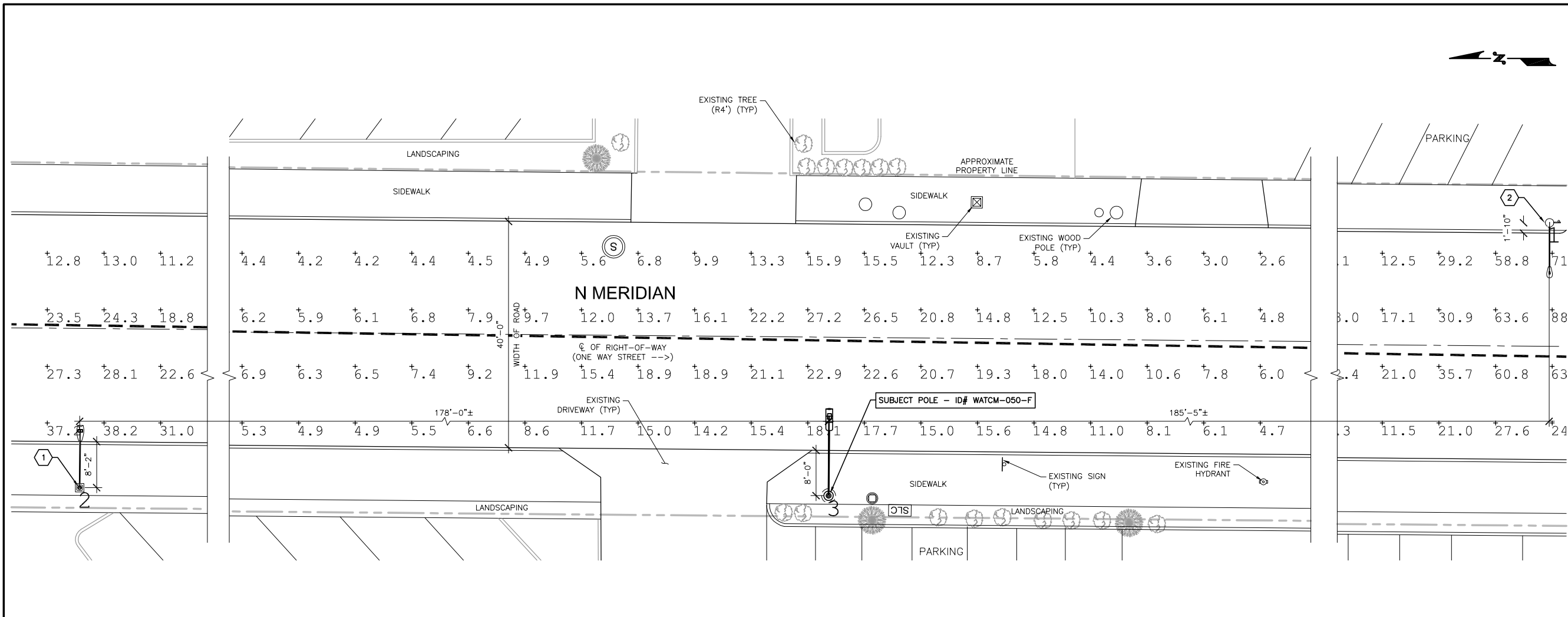


SHEET TITLE:

PHOTOMETRIC  
SITE PLAN

SHEET:

E1



22"x34" SCALE: 1" = 10'-0"  
11"x17" SCALE: 1" = 20'-0"

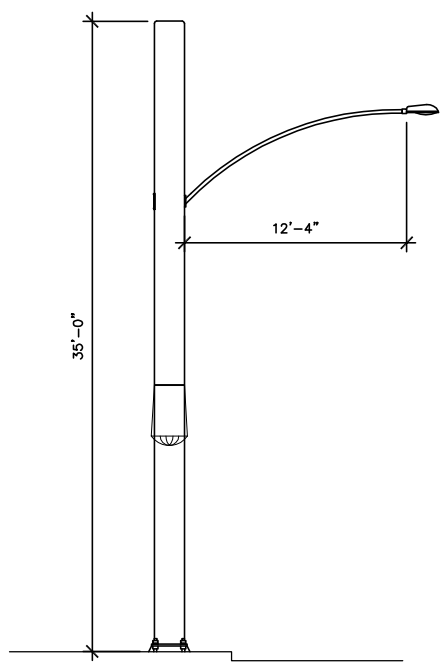
SITE PLAN 3

- NOTES:**
- THE SITE IS ON A MAJOR ARTERIAL CLASSIFICATION
  - ALL FIXTURES SHALL BE 120-277V, 4000K, BLACK FINISH (BK) AND INCLUDE ANSI 7-WIRE PHOTOCONTROL RECEPTACLE (PCR7), WATTAGE LABEL (WL) AND SHORTING CAP (SC)
  - HOUSE SHIELD TO BE UTILIZED ON POLES W/ EXISTING HOUSE SHIELDS TO MAINTAIN TRANSIENT LIGHT LEVELS ON ADJACENT PROPERTIES

POLE NO#	LUMINAIRE	STREET	OFFSET (CURB TO POLE)	LIGHT CONFIGURATION		POLE TYPE	POLE HEIGHT	LIGHT HEIGHT	WATTAGE /TYPE	LUMINAIRE TYPE/ DISTRIBUTION	ARM LENGTH	LUMINAIRE MODEL	TOTAL LAMP LUMENS	LLF	X	Y	Z	ORIENT	TILT	
				LEFT	RIGHT															
SUBJECT	REMOVED	N MERIDIAN	8'-0"	-	-	STEEL	28.7'	28.1'	50W/LED	COBRA/SINGLE	-	-	-	-	-	-	-	-	-	-
SUBJECT	PROPOSED	N MERIDIAN	8'-0"	-	-	STEEL	35.0'	30.0'	70W/LED	COBRA/SINGLE	12.5'	ATB0-P203-R2-4K	N/A	1.000	1017.764	1092.436	30	89.425	0	
1	EXISTING	N MERIDIAN	8'-2"	178'-0"	-	STEEL	28.7'	28.2'	105W/LED	COBRA/SINGLE	-	ATB0-30BLEDE10-XXXX-R2-4K-5K	N/A	1.000	839.775	1093.882	28.2	89.228	0	
2	EXISTING	N MERIDIAN	1'-10"	-	185'-5"	WOOD	38.3'	22.2'	200W/HPS	COBRA/SINGLE	-	138W LED 200W EQUIV	N/A	1.000	1203.605	1140.711	22.2	270	0	

\*ASSUMED WATTAGE OF 250W

CALCULATION SUMMARY				
CALCULATION ZONE	CALCTYPE	UNITS	AVG	AVG/MIN
N MERIDIAN	ILLUMINANCE	LUX	14.03	7.79



REPLACEMENT POLE

22"x34" SCALE: 3/16" = 1'-0"  
11"x17" SCALE: 3/32" = 1'-0"

22"x34" SCALE: NOT TO SCALE  
11"x17" SCALE: NOT TO SCALE

NOTES & TABLES 1

- NOTES:**
- UNABLE TO OBTAIN PHOTOMETRIC DESIGN CRITERIA FOR THE CITY OF PUYALLUP THEREFORE PHOTOMETRIC DESIGN CRITERIA WHERE MAJOR ARTERIAL ROADWAYS ARE TO HAVE A MIN AVERAGE LUX OF 13
  - EXISTING FIXTURE ON POLE #1 IS ASSUMED TO BE AN AMERICAN ELECTRIC LIGHTING MODEL: ATB0, TYPE 2 FIXTURE AT 105 WATTS.



Complies with IESNA's  
Energy Efficient Lighting  
Initiative (EELI)

## Autobahn Series ATB0 Roadway Lighting

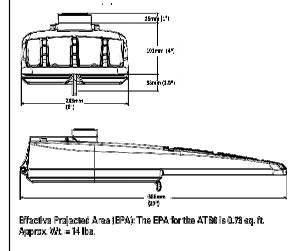
### PRODUCT OVERVIEW



#### Applications:

- Roadways
- DTF ramps
- Residential streets
- Parking lots

#### DIMENSIONS



Effective Projected Area (EPA): The EPA for the ATB0 is 0.78 sq. ft.  
Approx. 10" x 14".

#### STANDARDS

Design Lights Consortium (DLC) qualified product. Not all versions of this product may be DLC qualified. Please check the DLC Qualified Products List at [www.dlc.com/lighting.asp](http://www.dlc.com/lighting.asp) to confirm which versions are qualified.  
Color temperatures of  $\leq 3000K$  must be specified for International Dark-Sky Association certification.  
Rated for  $-40^{\circ}C$  to  $40^{\circ}C$  ambient.  
CSA Certified in U.S. and Canada standards.  
Complies with ANSI C136.2, C136.10, C136.14, C136.31, C136.15, C136.37

Note: Specifications subject to change without notice. Actual performance may differ as a result of end-user installation and application.

© 2014-2021 Acuity Brands Lighting, Inc. ATB0 201821



#### Features:

##### OPTICAL

The Autobahn's new molded silicone optics provide exceptional performance. Silicone optics are superior to other polymer materials in the areas of optical efficiency, thermal performance, and reduction in dirt accumulation, all of which can lead to long term lumen degradation and a shift in optical distribution. Also, because silicone allows for the molding of fine details as well as thick sections, it produces the most crisp, clean and well-defined lighting distributions available. Silicone optics paired with modern LED's allow the Autobahn to take full advantage of both technologies.

Same Light: Performance is comparable to 100-400W HPS roadway luminaires.

White Light: Correlated color temperature - 4000K or optional 2700K, 3000K or 5000K, all 75 CRI minimum.

Unique IP65 rated LED light engines provided 0% uplight and restrict backlight to within sidewalk depth, providing optimal application coverage and optimal pole spacing. Available in Type I, III, IV, and V roadway distributions.

##### ELECTRICAL

Expected Life: LED light engines are rated >100,000 hours at 25°C, L70. Electronic driver has an expected life of 100,000 hours at a 25°C ambient.

Lower Energy: Saves an expected of 40-50% over comparable HID luminaires.

Robust Surge Protection: Two different surge protection options provide a minimum of ANSI C136.2 10kV/5kA protection. 20kV/10kA protection is also available.

Luminaire ships with a 0-10V dimmable driver. Luminaire is continuous and step dimming capable via 0-10V option or controls installed on P7 photocontrol receptacle option.

##### MECHANICAL

Includes standard AEL lineman-friendly features such as tool-less entry, 3 station terminal block and quick-e disconnects. Bubble level coated inside the electrical compartment for easy leveling at installation.

Rugged die-cast aluminum housing and door are polyester powder-coated for durability and corrosion resistance. Rigorous five-stage pre-treating and painting process yields a finish that achieves a scratch crepage rating of 7 (per ASTM D1654) after over 3000 hours exposure to salt fog chamber (operated per ASTM B117).

Mount arm now it is adjustable for arms from 1-1/4" to 2" (1-5/8" to 2-3/8" O.D.) diameters. Provides a 3G vibration rating per ANSI C136.31

Wildlife shield is cast into the housing (not a separate piece).

##### CONTROLS

NEMA 3 pin photocontrol receptacle is standard, with the Acuity designed ANSI standard 7 pin receptacle optionally available.

Pre-wired solid state lighting style photocontrol - PCSI (10 year rated life) Extreme long life solid state lighting style photocontrol - PCLL (20 year rated life).

Optional onboard Adjustable Output module allows the light output and input wattage to be modified to meet site-specific requirements, and also can allow a single fixture to be flexibly applied in many different applications.

## Autobahn Series ATB0 Roadway Lighting

### ORDERING INFORMATION

Series	Performance Packages	Voltage	Optics
ATB0 Autobahn LED Roadway	<b>P201</b> 5,369 lumens nominal <sup>1</sup> <b>P202</b> 6,943 lumens nominal <sup>1</sup> <b>P203</b> 10,058 lumens nominal <sup>1</sup> <b>P204</b> 12,176 lumens nominal <sup>1</sup> <b>P205</b> 15,757 lumens nominal <sup>1</sup> <b>P301</b> 10,357 lumens nominal <sup>1</sup> <b>P302</b> 12,135 lumens nominal <sup>1</sup> <b>P303</b> 15,351 lumens nominal <sup>1</sup> <b>P304</b> 17,714 lumens nominal <sup>1</sup> <b>P305</b> 19,993 lumens nominal <sup>1</sup> <b>P401</b> 16,320 lumens nominal <sup>1</sup> <b>P402</b> 18,057 lumens nominal <sup>1</sup> <b>P403</b> 23,392 lumens nominal <sup>1</sup> <b>P404</b> 25,070 lumens nominal <sup>1</sup> <b>P405</b> 27,091 lumens nominal <sup>1</sup> <b>P406</b> 28,947 lumens nominal <sup>1</sup> <b>P407</b> 28,715 lumens nominal <sup>1</sup>	<b>MVOLT</b> Multi-volt, 120-277V <b>347</b> 347V <sup>1</sup> <b>480</b> 480V <sup>1</sup> <b>XVOLT</b> 277V-480V	<b>R2</b> Roadway Type II <b>R3</b> Roadway Type III <b>R4</b> Roadway Type IV <b>R5</b> Roadway Type V

#### Options

Color Temperature (CCT)	UMR-XX	Accessories
(Blank) 4000K CCT, 70 CRI Min.	8" Horizontal Arm for Round Pole, Painted to match Fixture	House Side Shields for field installation
27K 2700K CCT, 70 CRI Min.	UMS-XX 8" Horizontal Arm for Square Pole, Painted to match Fixture	ATBOP20XR2/R6HS for use with P201 - P205, R2 & R5 distributions
3K 3000K CCT, 70 CRI Min.	UMR-DALY 8" Horizontal Arm for Round Pole, Belvanized	ATBOP20XR3/R4HS for use with P201 - P205, R3 & R4 distributions
5K 5000K CCT, 70 CRI Min.	UMS-DALY 8" Horizontal Arm for Square Pole, Galvanized	ATBOP20XR2/R6HS for use with P201 - P205, R2 & R5 distributions
Paints	Controls	ATBOP30XR3HS for use with P301 - P305, R3 distribution
(Blank) Gray (Standard)	3 Pin NEMA Photocontrol Receptacle (Standard)	ATBOP30XR4HS for use with P301 - P305, R4 distribution
BK Black	P7 7 Pin Photocontrol Receptacle (Dimmable Driver Included)	ATBOP46XR2/R6HS for use with P401 - P407, R2 & R5 distributions
BZ Bronze	HR No Photocontrol Receptacle	ATBOP46XR3HS for use with P401 - P407, R3 distribution
DB Dark Bronze	AO Field Adjustable Output	ATBOP46XR2HS for use with P401 - P407, R2 distribution
GI Graphite	PCS6 Solid State Lighting Photocontrol (120-277V)	
WH White	HR No Photocontrol Receptacle	
GN Green	PCLL Solid State Long Life Photocontrol	
Surge Protection	SH Shorting Cap	Notes
(Blank) Standard 20kV/10kA SPD <sup>1</sup>	Packaging	1 Not available in 347 or 480V.
MP MDV Pack 10kV/5kA	(Blank) Single Unit (Standard)	2 Not available with MR.
Terminal Block	JP Job Pack (42/Pallet)	3 Not available with P401 - P407 performance package.
(Blank) Terminal Block (Standard)		4 Not available with P201 performance package + 347V or 480V.
T2 Wired to L1 & L2 Positions		5 Not available with P406 or P407 performance package options.
Misc.		6 Not available with XVOLT option.
BL External Bubble Level		
HSS House-Side Shield		
HL Name Label		
XL Not CSA Certified		



Warranty Five-year limited warranty. Complete warranty terms located at [www.ael.com](http://www.ael.com).  
Actual performance may differ as a result of end-user environment and application. All values are design or typical values, measured under laboratory conditions at 25 °C. Specifications subject to change without notice.  
Please contact your sales representative for the latest product information.

## Autobahn Series ATB0 Roadway Lighting

### PERFORMANCE PACKAGE

ATB0	Distribution	Input Watts	2700K		3000K		4000K/5000K	
			Lumens	LPW	Lumens	LPW	Lumens	LPW
P201	R2	38	4,983	137	5,473	151	5,488	150
	R3		4,952	136	5,107	140	5,553	152
	R4		5,045	139	5,120	141	5,348	147
	R5		5,084	142	5,284	148	5,267	150
	R6		6,429	132	7,100	147	7,203	148
P202	R2	49	6,390	131	6,679	137	7,237	148
	R3		6,517	136	6,749	140	6,906	144
	R4		6,560	137	6,988	146	6,951	146
	R5		6,005	130	6,050	144	6,150	147
	R6		6,951	126	6,471	134	6,269	148
P203	R2	70	9,464	137	9,573	139	10,089	146
	R3		9,188	134	9,784	142	8,788	142
	R4		11,007	125	11,800	136	12,410	141
	R5		10,940	124	11,490	132	12,470	141
	R6		11,495	122	11,500	126	12,170	139
P204	R2	88	11,230	131	11,790	137	11,900	138
	R3		12,389	121	12,650	125	13,029	137
	R4		12,264	120	13,110	129	14,139	138
	R5		13,067	130	13,889	136	13,839	138
	R6		12,889	127	13,689	132	13,249	135
P205	R2	102	9,527	140	10,450	154	10,460	153
	R3		9,469	139	10,590	158	10,820	158
	R4		9,579	144	10,210	152	10,150	152
	R5		9,720	145	10,370	154	10,300	154
	R6		11,118	125	11,790	142	12,300	140
P301	R2	67	11,050	134	12,289	150	12,220	152
	R3		11,899	140	12,720	153	12,389	148
	R4		11,949	137	12,120	147	12,220	145
	R5		14,152	130	15,030	140	15,420	141
	R6		14,005	131	15,230	142	15,550	148
P302	R2	83	14,514	136	15,720	146	15,389	144
	R3		14,439	136	15,140	142	15,300	144
	R4		18,705	130	17,180	139	18,210	141
	R5		18,803	131	17,850	141	18,230	144
	R6		18,845	126	18,160	145	17,850	148
P303	R2	106	17,043	137	17,870	142	18,000	146
	R3		18,388	124	19,720	134	20,160	136
	R4		18,276	124	20,070	135	20,440	138
	R5		18,695	129	20,050	138	19,810	137
	R6		18,276	130	19,550	135	19,890	138
P304	R2	124	18,388	124	19,720	134	20,160	136
	R3		18,276	124	20,070	135	20,440	138
	R4		18,695	129	20,050	138	19,810	137
	R5		18,276	130	19,550	135	19,890	138
	R6		18,695	129	20,050	138	19,810	137
P305	R2	145	18,388	124	19,720	134	20,160	136
	R3		18,276	124	20,070	135	20,440	138
	R4		18,695	129	20,050	138	19,810	137
	R5		18,276	130	19,550	135	19,890	138
	R6		18,695	129	20,050	138	19,810	137



Warranty Five-year limited warranty. Complete warranty terms located at [www.ael.com](http://www.ael.com).  
Actual performance may differ as a result of end-user environment and application. All values are design or typical values, measured under laboratory conditions at 25 °C. Specifications subject to change without notice.  
Please contact your sales representative for the latest product information.



#### PROJECT INFORMATION:

WATCHM-050-F

709 2ND ST. NW  
PUYALLUP, WA 98371

#### CURRENT ISSUE DATE:

12/16/21

#### ISSUE FOR:

CONSTRUCTION

#### ISSUE HISTORY:

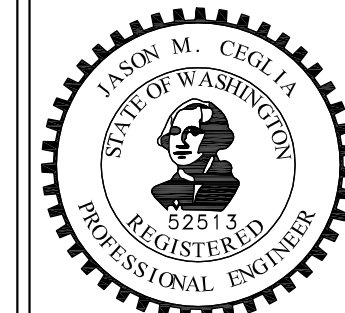
No.	Date	Revision	Int.
0	12/16/21	SUBMITTAL	MLG

#### PLANS PREPARED BY:



MH PROJECT #: 201978000

#### SEAL OF APPROVAL:



JASON M. CEGLIA  
PROFESSIONAL ENGINEER  
STATE OF WASHINGTON  
52513

#### SHEET TITLE:

PROPOSED FIXTURE  
SPECIFICATIONS

#### SHEET:

E2