

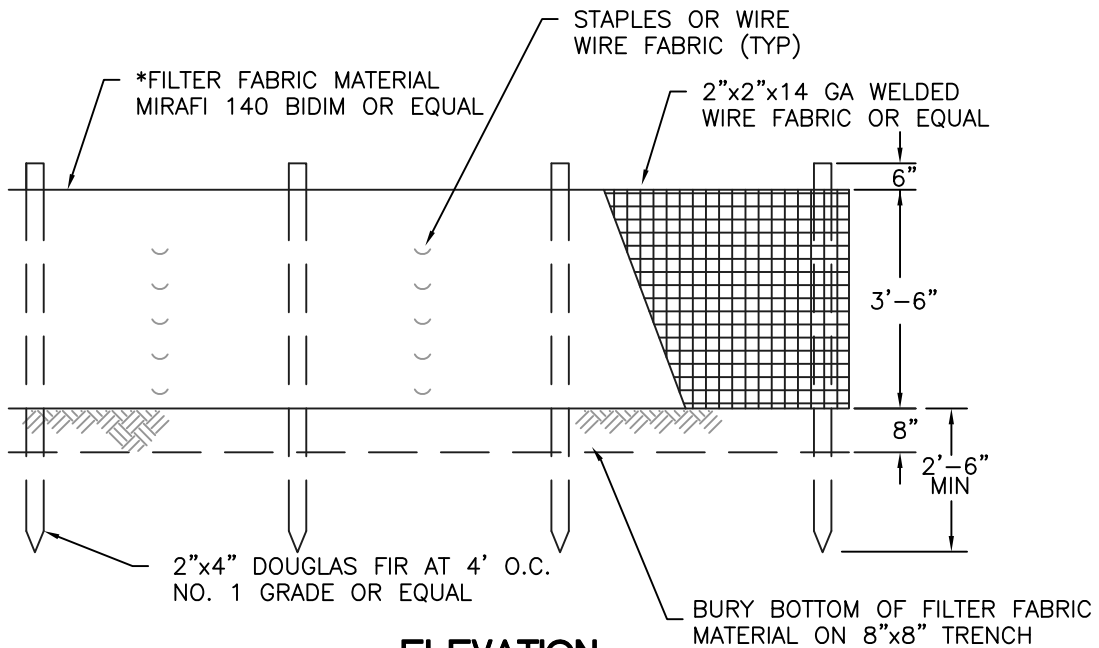
NOTES:

SILT FENCE SHALL BE INSTALLED ON CONTOUR OTHER INSTALLATIONS ARE NOT EXCEPTABLE.

*FILTER FABRIC TO BE DETERMINED BY DESIGN ENGINEER

PROVIDE 3/4" - 1.5" WASHED GRAVEL BACKFILL IN TRENCH AND ON BOTH SIDES OF FILTER FENCE FABRIC ON THE SURFACE

TYPICAL CROSS SECTION



ELEVATION



CITY OF PUYALLUP

DEVELOPMENT ENGINEERING and PUBLIC WORKS DEPARTMENTS

SILTATION FENCE

| | | | | |
|---|--|--|-----------------------------------|--|
| <small>DRAWN BY</small> LINDA LANSING | <small>CHECKED BY</small> LINDA LIAN | <small>APPROVED BY</small> COLLEEN HARRIS | <small>REVISED BY</small> XXXX | <small>CITY STANDARD</small> 02.03.02 |
| <small>FILE NAME</small> F:\DWG\COMMON\STDS\CITY\2009\02_SD\02.03.02 | <small>DATE APPROVED</small> 09/01/1992 | <small>DATE REVISED</small> 06/01/2003 | <small>SCALE</small> NTS | |