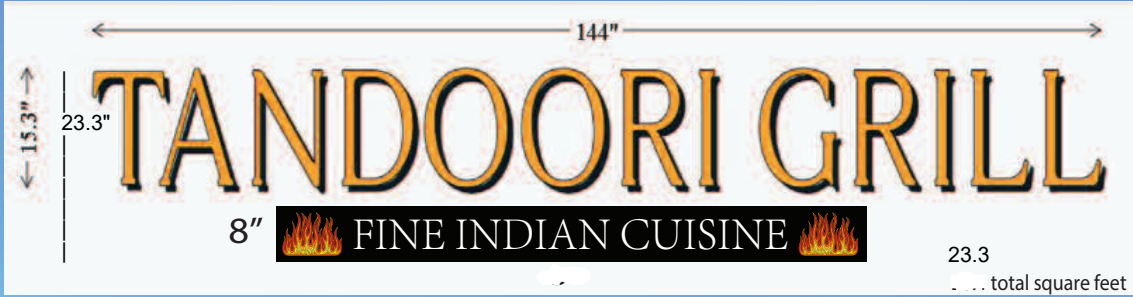


Please clarify the dimensions of the sign on the site plan. Use arrows to clearly label the height of the sign as well as the total height of the signs (15.3" vs. 23.3"). [plan set, pg. 1]



LED

Will be installed on raceway

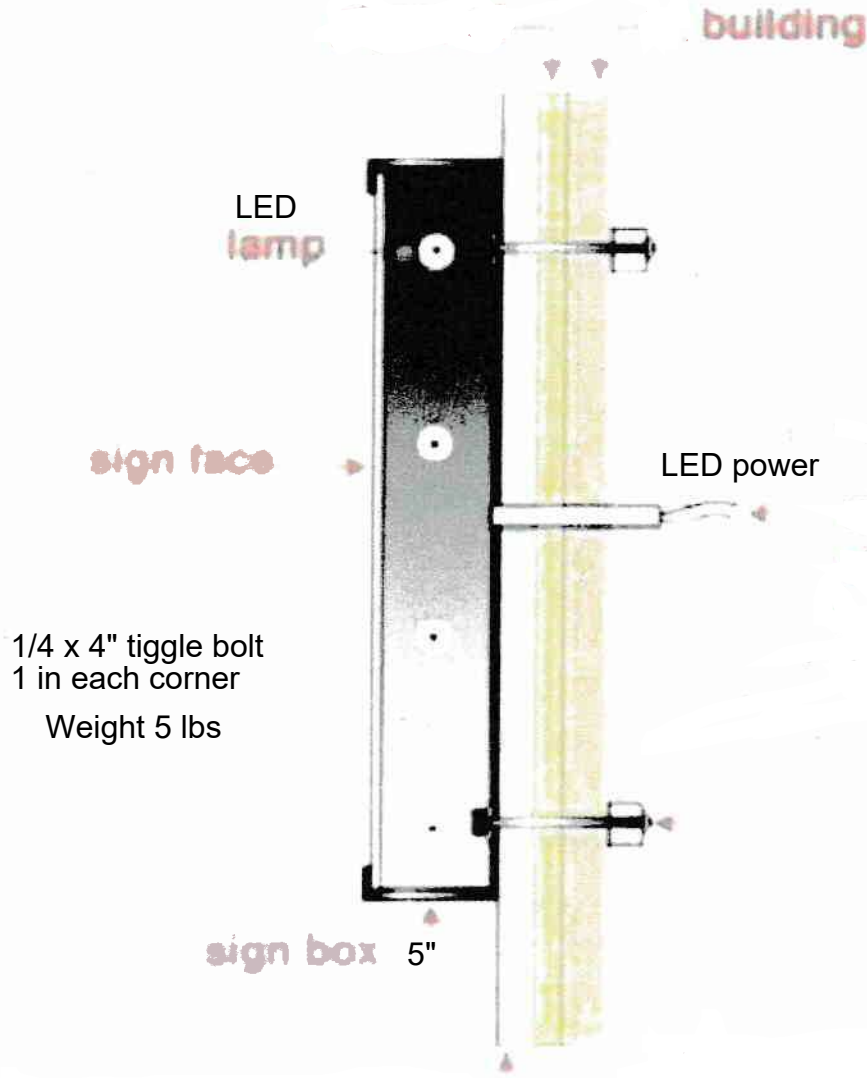


to bottom of roof

12' 8"

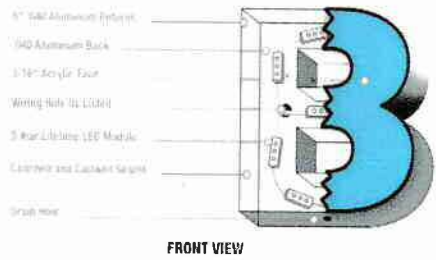


24'



Some of the plan details are very hard to read and you show two different types of anchors but not sure which one goes to which sign. Need to be very specific. Also plans need to be a min. of 11 X 17 when resubmitting. Page 2 of set.

Standard Front Lit Channel Letter



Raceway LED channel letters

3/8 x 3" thru bolts, 1 at each end and every 3'

