

## ELECTRICAL SYSTEM NOTES :

1. THE DETECTION AND CONTROLS PORTION OF THE FIRE PROTECTION SYSTEM SHALL BE INSTALLED IN ACCORDANCE WITH NFPA 70, 72 AND STATE AND LOCAL CODES WHERE APPLICABLE.
2. ALL WIRING AND CONDUIT FOR THE FIRE PROTECTION SYSTEM SHALL BE INSTALLED IN MINIMUM OF 1/2" RACEWAY, IN ACCORDANCE WITH THE CURRENT REQUIREMENTS OF THE NATIONAL ELECTRICAL CODE (NFPA 70), NATIONAL FIRE ALARM CODE (NFPA 72), CITY, STATE, LOCAL BUILDING CODES, THE AUTHORITY HAVING JURISDICTION, PROJECT SPECIFICATIONS AND THE MANUFACTURER'S RECOMMENDATIONS.
3. ALL WIRING SHALL BE INSTALLED USING INSULATED INDIVIDUAL CONDUCTORS IN CONDUIT. THERE SHALL BE NO BUTT SPLICING. ALL WIRE RUNS BETWEEN PANEL AND/OR DEVICES SHALL BE MADE WITH A SINGLE LENGTH OF WIRE. CONDUCTORS ARE TO BE COLOR CODED, NUMBER CODED OR BOTH TO IDENTIFY THE CIRCUITS AND POLARITY. ALL WIRING SHALL COMPLY WITH ARTICLE 760 OF THE NATIONAL ELECTRICAL CODE AND THE MANUFACTURER'S RECOMMENDATIONS.
4. REFERENCE MOUNTING INSTRUCTION INCLUDED WITH EACH DEVICE.
5. LOW VOLTAGE CIRCUITS MUST NOT BE COMBINED IN CONDUITS WITH HIGH VOLTAGE (120, 240, ETC. VOLT) AC POWER OR CONTROL CIRCUITS, SUCH AS FAN SHUTDOWN, EQUIPMENT SHUTDOWN, ETC.
6. ROUTE NON-POWER LIMITED WIRING AT LEAST 1/4 INCH AWAY FROM ALL POWER LIMITED WIRING. DO NOT ATTACH POWER LIMITED AND NON-POWER LIMITED WIRING TO THE SAME TERMINAL BLOCK.
7. MINIMUM CONDUCTORS TYPE AND SIZE REQUIREMENTS:
  - 7.1. DETECTION CIRCUITS - 16 AWG THHN OR EQUAL
  - 7.2. NOTIFICATION APPLIANCE CIRCUITS - 16 AWG THHN OR EQUAL
  - 7.3. RELEASE CIRCUITS - 16 AWG THHN OR EQUAL
  - 7.4. 24 VDC POWER CIRCUITS - 14 AWG THHN OR EQUAL
  - 7.5. 120/240 AC POWER CIRCUITS - 14 AWG THHN OR EQUAL
  - 7.6. ALL CONDUCTORS MUST MEET THE MINIMUM RATING OF 600 VOLTS AT 90° C.
8. ELECTRICAL EQUIPMENT/SYSTEMS SHALL BE INSTALLED IN ACCORDANCE WITH GOOD COMMERCIAL PRACTICE. CARE SHALL BE TAKEN TO AVOID INCORRECT WIRING, CONNECTIONS, FAULTY FABRICATION AND/OR IMPROPER INSTALLATIONS. ALL CONDUIT SHALL BE RIGIDLY SECURED.
9. AC AND DC CURRENT SHALL BE RUN IN SEPARATE CONDUIT AND BOXES.
10. PAINT ALL J-BOXES AND COVERS RED TO IDENTIFY FIRE PROTECTION SYSTEM.
11. IDENTIFY EACH COVER WITH **POWER LIMITED FIRE ALARM CKT.**
12. MAINTAIN 1" SEPARATION BETWEEN ALL POWER LIMITED AND NON POWER LIMITED CIRCUITS.
13. CONTROL SYSTEM SHALL BE INSTALLED AND TESTED IN ACCORDANCE WITH NFPA 72, AS WELL AS ALL APPLICABLE LOCAL CODES.

## EXCLUSIONS :

**\*\*WORK LISTED BELOW SHALL BE PROVIDED BY OTHERS OR UNDER OTHER SECTIONS OF THE PROJECT.\*\***

1. 120 VAC POWER SUPPLY TO THE CLEAN AGENT CONTROL PANEL.
2. TELEPHONE LINES FOR REMOTE MONITORING.
3. INTERLOCK WIRING AND CONDUIT FOR SHUTDOWN OF HVAC, DAMPERS AND/OR ELECTRIC POWER SUPPLIES, RELAYS, SHUNT TRIP BREAKERS OR OTHER DEVICES.
4. CONNECTION TO LOCAL OR REMOTE FIRE ALARM SYSTEMS OR LISTED CENTRAL ALARM STATION.

## PROJECT STANDARDS :

### APPLICABLE CODES :

- NFPA 2001 2018
- NFPA 70 2017
- NFPA 72 2019
- INTERNATIONAL FIRE CODE 2018
- INTERNATIONAL BUILDING CODE 2018

## SCOPE OF WORK :

PROVIDE FIRE ALARM DETECTION AND CONTROLS FOR EXISTING CLEAN AGENT SUPPRESSION SYSTEM

## OWNER / SITE DATA :

GOOD SAMARITAN HOSPITAL  
401 15TH AVENUE SE  
PUYALLUP, WASHINGTON 98372

## AUTHORITY HAVING JURISDICTION :

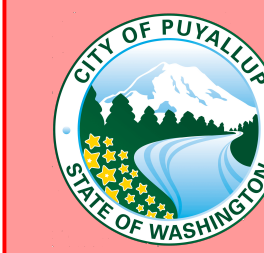
CITY OF PUYALLUP  
333 S MERIDIAN, 2ND FLOOR  
PUYALLUP, WASHINGTON 98371  
PHONE: 253-864-4165

## LEGEND / PARTS LIST

SYMBOL	QUAN.	PART #	DESCRIPTION	MANUFACTURER	NOTES
CP	1	76-600000-901	ARIES ADDRESSABLE CONTROL PANEL	KIDDE	RED ENCLOSURE 6" AFF
	2	UB1270	7.0 AH BATTERY	UPG	CONTROL PANEL
AI	7	70-610001-001	ADDRESSABLE MONITOR MODULE (N/O)	KIDDE	4S BOX OR 2 GANG
AO	3	70-408004-001	ADDRESSABLE CONTROL MODULE	KIDDE	4S BOX OR 2 GANG
ILR	2	06-220023-001	IN-LINE RELEASING CIRCUIT	KIDDE	AT CYLINDER
	1	84-330002-001	ADDRESSABLE MANUAL RELEASE	KIDDE	SINGLE GANG
A	1	84-878752-010	ABORT STATION	KIDDE	4S BOX OR 2 GANG
	12	KS-PS	PHOTOELECTRIC SMOKE DETECTOR	KIDDE	BASE (DS-SB)
	12	DS-SB	4" DETECTOR BASE W/ 6" TRIM RING	KIDDE	3-0 BOX
	1	4890123	HORN/STROBE - MULTI CANDELA BLUE LENS	POTTER	4S BOX OR 2 GANG DEEP
	1	4890103	STROBE - MULTI CANDELA BLUE LENS	POTTER	4S BOX OR 2 GANG DEEP
L	1	BY OTHERS	PRE-ACTION LOW AIR SWITCH	BY OTHERS	
T	1	BY OTHERS	PRE-ACTION TAMPER SWITCH	BY OTHERS	
FL	1	BY OTHERS	PRE-ACTION FLOW SWITCH	BY OTHERS	
SOL	1	BY OTHERS	PRE-ACTION SOLENOID	BY OTHERS	
SOL	1	BY OTHERS	CLEAN AGENT SOLENOID	BY OTHERS	
P	1	BY OTHERS	DISCHARGE PRESSURE SWITCH	BY OTHERS	
M	2	BY OTHERS	MAINTENANCE BYPASS	BY OTHERS	
SIGN 1	1	SSI SIGN #1	CLEAN AGENT DOOR SIGN	SSI / CW	SIZE 9" X 12"
SIGN 2	1	SSI SIGN #2A	CLEAN AGENT HORN/STROBE SIGN	SSI / CW	SIZE 5" X 8"
SIGN 3	1	SSI SIGN #3	CLEAN AGENT DISCHARGE STROBE SIGN	SSI / CW	SIZE 5" X 8"

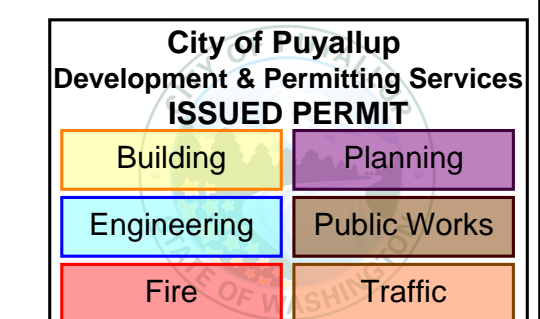
**City of Puyallup  
Fire  
REVIEWED  
FOR  
COMPLIANCE**

DDrake  
05/09/2022  
1:54:08 PM



THE APPROVED CONSTRUCTION PLANS AND ALL ENGINEERING MUST BE POSTED ON THE JOB AT ALL INSPECTIONS IN A VISIBLE AND READILY ACCESSIBLE LOCATION.

Approval of submitted plans is not an approval of omissions or oversight by this office or noncompliance with any applicable regulations of local government. The contractor is responsible for making sure that the building complies with all applicable building codes and regulations of the local government.



## DRAWING INDEX

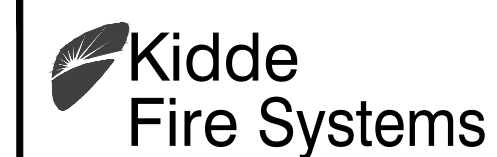
FP-01	NOTES, LEGEND, PARTS LIST AND DRAWING INDEX
FP-02	ELEVATION AND MAPS
FP-03	SEQUENCE OF OPERATION
FP-04	FLOOR PLANS
FP-05	ELECTRICAL MULTI-LINE WIRING DIAGRAM
FP-06	ELECTRICAL WIRING DETAILS

SUPPRESSION SYSTEMS INC.  
SPECIAL HAZARDS FIRE PROTECTION  
3077 20TH STREET EAST, SUITE B  
FIFE, WA 98424-1798  
(253) 926-3300 FAX (253)926-3306

### NICET STAMPS



### MANUFACTURER LOGOS



### FIRE PROTECTION ENGINEERS STAMP



COMPLIANCE SUBMITTALS	DATE
100% SUBMITTAL	04/05/22

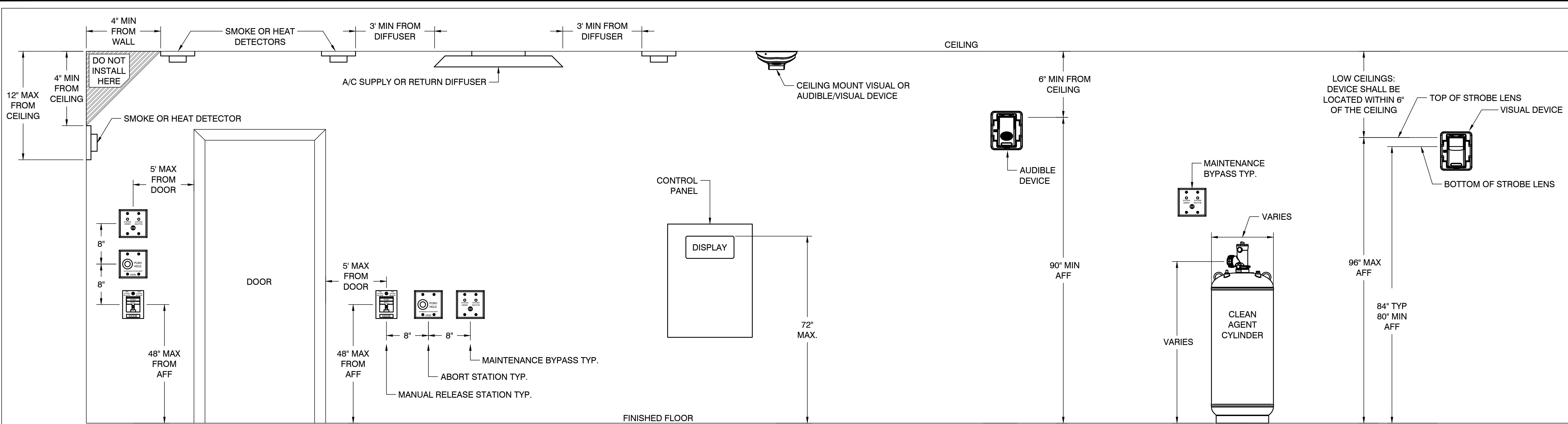
REV	DESCRIPTION	DATE
△		
△		
△		
△		

PROJECT INFORMATION:  
**GOOD SAMARITAN HOSPITAL**  
401 15TH AVENUE SE  
PUYALLUP, WASHINGTON, 98372

DESIGNED BY: NMR	SCALE: NOT TO SCALE
DRAWN BY: JAC	SCALE: UNLESS NOTED OTHERWISE
CHECKED BY: ZST	
JOB NUMBER: 2207	

SHEET TITLE:  
FIRE PROTECTION DRAWINGS  
NOTES, LEGEND, PARTS LIST  
AND DRAWING INDEX

SHEET NUMBER:  
**FP-01 of 6**

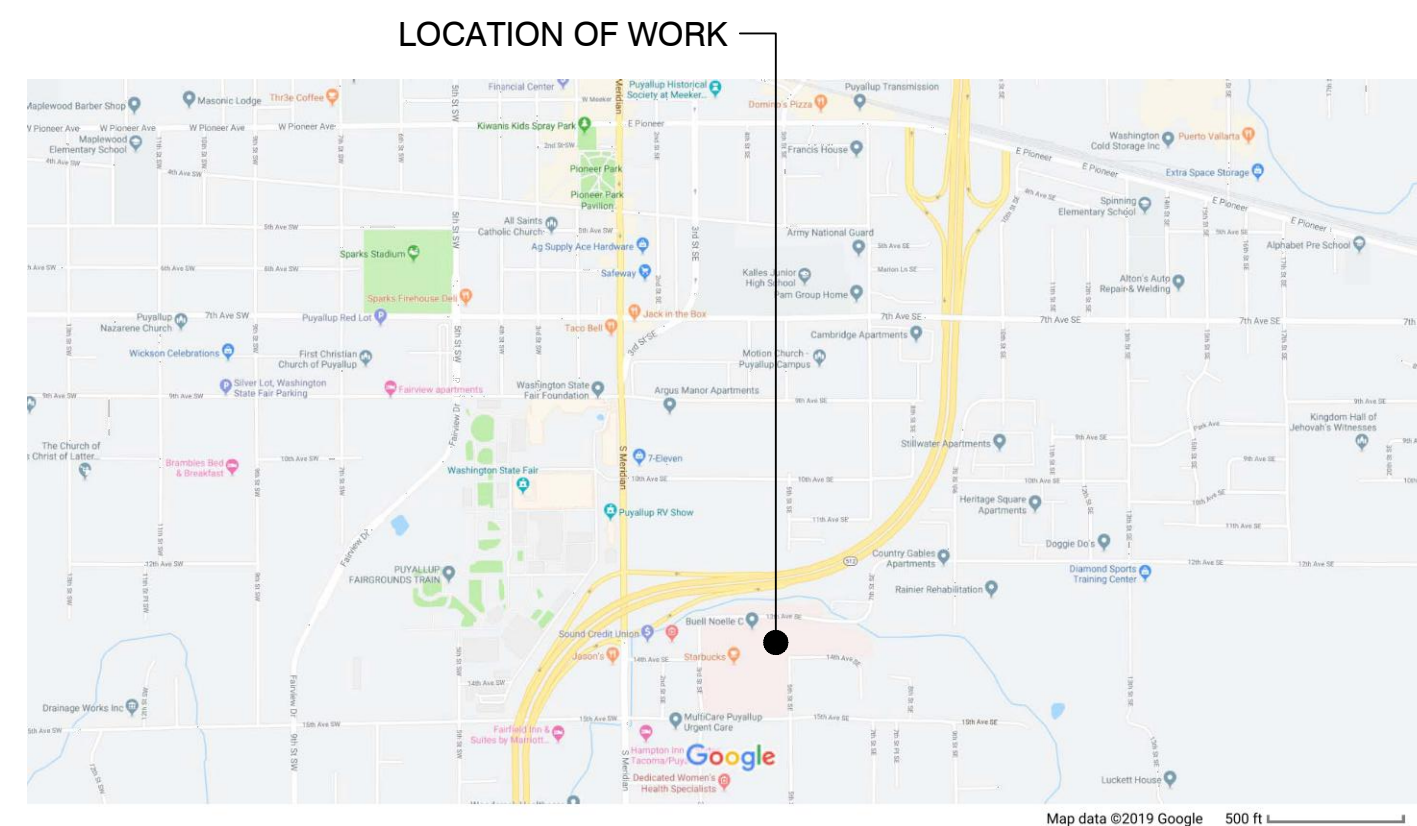


- NOTES:**
- ALL ELEVATIONS ARE SHOWN FROM A VIEW OF BEING INSIDE THE ROOM LOOKING AT THE DOOR.
  - ADDRESSABLE INPUT MODULES SHALL BE MOUNTED BEHIND INPUT DEVICES.
  - ADDRESSABLE SIGNAL MODULES SHALL BE MOUNTED AT THE SAME ELEVATION AS INDICATING DEVICE.
  - ALL DEVICES SHALL BE MOUNTED IN ACCORDANCE WITH ALL APPLICABLE CODES.
  - CONFER WITH THE LOCAL AHJ AND ENGINEER OF RECORD IF MOUNTING HEIGHTS CAN NOT BE ATTAINED OR CONFLICT WITH THE LOCAL CODES.
  - ALL VISUAL DEVICES SHALL BE SYNCHRONIZED AND UNOBSTRUCTED.
  - SOLENOID TO BE MOUNTED IN J/BOX AT CYLINDER VALVE OUTLET ELEVATION.
  - MAINTENANCE BYPASS SHALL BE INSIDE PROTECTED HAZARD.
    - IF CYLINDER IS INSIDE PROTECTED HAZARD LOCATE AT CYLINDER.
    - IF CYLINDER IS OUTSIDE PROTECTED HAZARD LOCATE AT RELEASE PANEL NEAR MANUAL RELEASE AND ABORT STATION IN PROTECTED HAZARD.
    - IF PANEL IS OUTSIDE PROTECTED HAZARD, LOCATE NEAR MANUAL RELEASE AND ABORT STATION IN PROTECTED HAZARD.

- NOTES CONTINUED:**
- CONTROL UNIT DISPLAYS, VISIBLE INDICATORS, OR CONTROLS SHALL BE MOUNTED SUCH THAT THE DISTANCE TO THE HIGHEST SWITCH, LAMP, OR TEXTUAL DISPLAY DOES NOT EXCEED 72" ABOVE THE FINISHED FLOOR AND THE LOWEST SWITCH, LAMP, OR TEXTUAL DISPLAY DOES NOT EXCEED 15" ABOVE THE FINISHED FLOOR.
    - STANDARD REFERENCE NFPA 72 2019 EDITION (10.4.4)
  - DISCHARGE STROBES TO BE MOUNTED ON THE OUTSIDE OF THE ROOM @ A MAX. OF 96" A.F.F. TO THE CENTER OF THE DEVICE.
  - HORN/STROBES TO BE MOUNTED @ A MAX. OF 80" A.F.F. TO THE CENTER OF THE DEVICE PER ADA REQUIREMENTS.
  - MANUAL RELEASE AND ABORT SWITCHES TO BE MOUNTED @ 48" A.F.F. TO THE TOP OF THE DEVICE.
  - CLEAN AGENT DOOR SIGN IS TO BE MOUNTED ON THE OUTSIDE OF ALL DOORS TO CLEAN AGENT ZONES.
  - CLEAN AGENT HORN/STROBE SIGN TO BE MOUNTED BELOW ALL SUPPRESSION HORN/STROBES IN A CLEAN AGENT ZONE.
  - CLEAN AGENT DISCHARGE STROBE SIGNS TO BE MOUNTED BELOW ALL CLEAN AGENT STROBES.

- STANDARD REFERENCE NOTES FOR AUDIO AND AUDIO/VISUAL DEVICES:**
- MOUNTING HEIGHTS FOR AUDIBLE APPLIANCES ARE DETERMINED BY THE FOLLOWING CODES:
    - NFPA 72 2019 EDITION (18.4.9.1)
  - MOUNTING HEIGHTS FOR AUDIBLE/VISUAL APPLIANCES ARE DETERMINED BY THE FOLLOWING CODES:
    - NFPA 72 2019 EDITION (18.5.5.1)
- STANDARD REFERENCE NOTES FOR DETECTION:**
- MOUNTING HEIGHTS FOR MANUAL PULL STATIONS ARE DETERMINED BY THE FOLLOWING CODES:
    - NFPA 72 2019 EDITION (17.15.6.5)
  - MOUNTING HEIGHTS FOR WALL MOUNTED SMOKE AND HEAT DETECTORS ARE DETERMINED BY THE FOLLOWING CODES:
    - NFPA 72 2019 EDITION (17.7.3.2.1 SMOKE AND 17.6.3.1.3.1 FOR HEAT)

**GENERAL DEVICE ELEVATION**



**VICINITY MAP**  
SCALE: NTS



**AREA MAP**  
SCALE: NTS

**City of Puyallup**  
Development & Permitting Services  
**ISSUED PERMIT**

Building	Planning
Engineering	Public Works
Fire	Traffic

SUPPRESSION SYSTEMS INC.  
SPECIAL HAZARDS FIRE PROTECTION  
3077 20TH STREET EAST, SUITE B  
FIFE, WA 98424-1798  
(253) 926-3300 FAX (253)926-3306

**NICET STAMPS**

**MANUFACTURER LOGOS**

**FIRE PROTECTION ENGINEERS STAMP**

COMPLIANCE SUBMITTALS	DATE
100% SUBMITTAL	04/05/22

REV	DESCRIPTION	DATE

**PROJECT INFORMATION:**

**GOOD SAMARITAN HOSPITAL**  
401 15TH AVENUE SE  
PUYALLUP, WASHINGTON, 98372

DESIGNED BY: NMR  
DRAWN BY: JAC  
CHECKED BY: ZST  
JOB NUMBER: 2207

SCALE: NOT TO SCALE UNLESS NOTED OTHERWISE

SHEET TITLE:  
FIRE PROTECTION DRAWINGS  
ELEVATION AND MAPS

SHEET NUMBER:  
FP-02 of 6

SEQUENCE OF OPERATIONS MATRIX

SYSTEM INPUTS		SYSTEM OUTPUTS																							
CLEAN AGENT CONTROL PANEL INPUTS		CLEAN AGENT CONTROL PANEL OUTPUTS						CLEAN AGENT NOTIFICATION OUTPUTS						CLEAN AGENT OUTPUTS											
		ACTIVATE PIEZO BUZZER AND TROUBLE LED AT RELEASE PANEL	ACTIVATE TROUBLE RELAY OUTPUT TO BLDG FAC	ACTIVATE PIEZO BUZZER AND SUPERVISORY LED AT RELEASE PANEL	ACTIVATE SUPERVISORY RELAY OUTPUT TO BLDG FAC	ACTIVATE PIEZO BUZZER AND ALARM LED AT RELEASE PANEL	ACTIVATE PANEL ALARM RELAY OUTPUT TO BLDG FAC	INTERIOR HORNS PULSE AT 60 BPM UNTIL RELEASE PANEL IS SILENCED	INTERIOR HORNS PULSE AT 120 BPM UNTIL RELEASE PANEL IS SILENCED	INTERIOR HORNS STAY CONSTANT UNTIL RELEASE PANEL IS SILENCED	INTERIOR STROBES ACTIVATED	EXTERIOR STROBES ACTIVATED	ACTIVATE 30 SECOND COUNTDOWN TO DISCHARGE	RELEASE CLEAN AGENT	SHUT DOWN HVAC AND CLOSE DAMPERS AS REQUIRED	OVER-RIDE AN ACTIVE ABORT AND RELEASE CLEAN AGENT IMMEDIATELY	DELAY CLEAN AGENT RELEASE UNTIL ABORT IS RELEASED, AND RESTART COUNTDOWN AT 60 SECONDS	PRE-ACTION OUTPUTS	ACTIVATE PRE-ACTION SOLENOID	H.V.A.C. MECHANICAL SYSTEMS OUTPUTS	CLOSE ALL FIRE DAMPERS	LOCK-OUTS	LOCK OUT RELEASE CIRCUIT	LOCK OUT INTERIOR AND EXTERIOR NOTIFICATION APPLIANCES	PRE-ACTION LOCKOUT
SYSTEM POWER FAILURE		X	X																						
SYSTEM LOW BATTERY VOLTAGE		X	X																						
1ST SMOKE DETECTOR IN ALARM						X	X	X		X								X		X					
2ND SMOKE DETECTOR IN ALARM						X	X		X	X			X	X											
GROUND FAULT		X	X																						
OPEN CIRCUIT FAULT		X	X																						
NAC CIRCUIT SHORT		X	X																						
SLC CIRCUIT SHORT		X	X																						
MISSING DEVICE FAULT		X	X																						
DIRTY SMOKE DETECTOR		X	X																						
CLEAN AGENT CONTROL PANEL IN SUPERVISORY CONDITION				X	X																				
CLEAN AGENT INPUTS																									
REMOVAL OF CYLINDER ACTUATION DEVICE				X	X																				
CYLINDER LOW PRESSURE SWITCH				X	X																				
RELEASE CIRCUIT SHORT		X	X																						
MAINTENANCE BYPASS SWITCH ACTIVATED				X	X																	X	X	X	
EXPIRATION OF 30 SECOND COUNTDOWN										X	X	X		X											
MANUAL RELEASE STATION						X	X			X	X			X	X	X									
ABORT STATION		X	X													X									
DISCHARGE PRESSURE SWITCH						X	X			X	X	X			X										
PRE-ACTION FIRE SPRINKLER SYSTEM INPUTS																									
PRE-ACTION WATER FLOW						X	X																		
PRE-ACTION LOW AIR		X	X																						
PRE-ACTION TAMPER		X	X																						

City of Puyallup  
Development & Permitting Services  
**ISSUED PERMIT**

Building	Planning
Engineering	Public Works
Fire	Traffic

SUPPRESSION SYSTEMS INC.  
SPECIAL HAZARDOUS FIRE PROTECTION  
3077 20TH STREET EAST, SUITE B  
FIFE, WA 98424-1798  
(253) 926-3300 FAX (253)926-3306

NICET STAMPS

MANUFACTURER LOGOS

FIRE PROTECTION ENGINEERS STAMP

COMPLIANCE SUBMITTALS	DATE
100% SUBMITTAL	04/05/22

REV	DESCRIPTION	DATE
△		
△		
△		
△		

PROJECT INFORMATION:

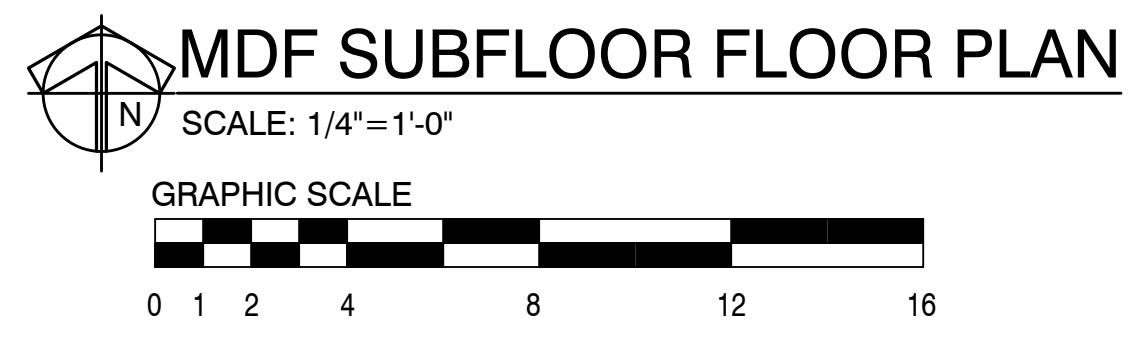
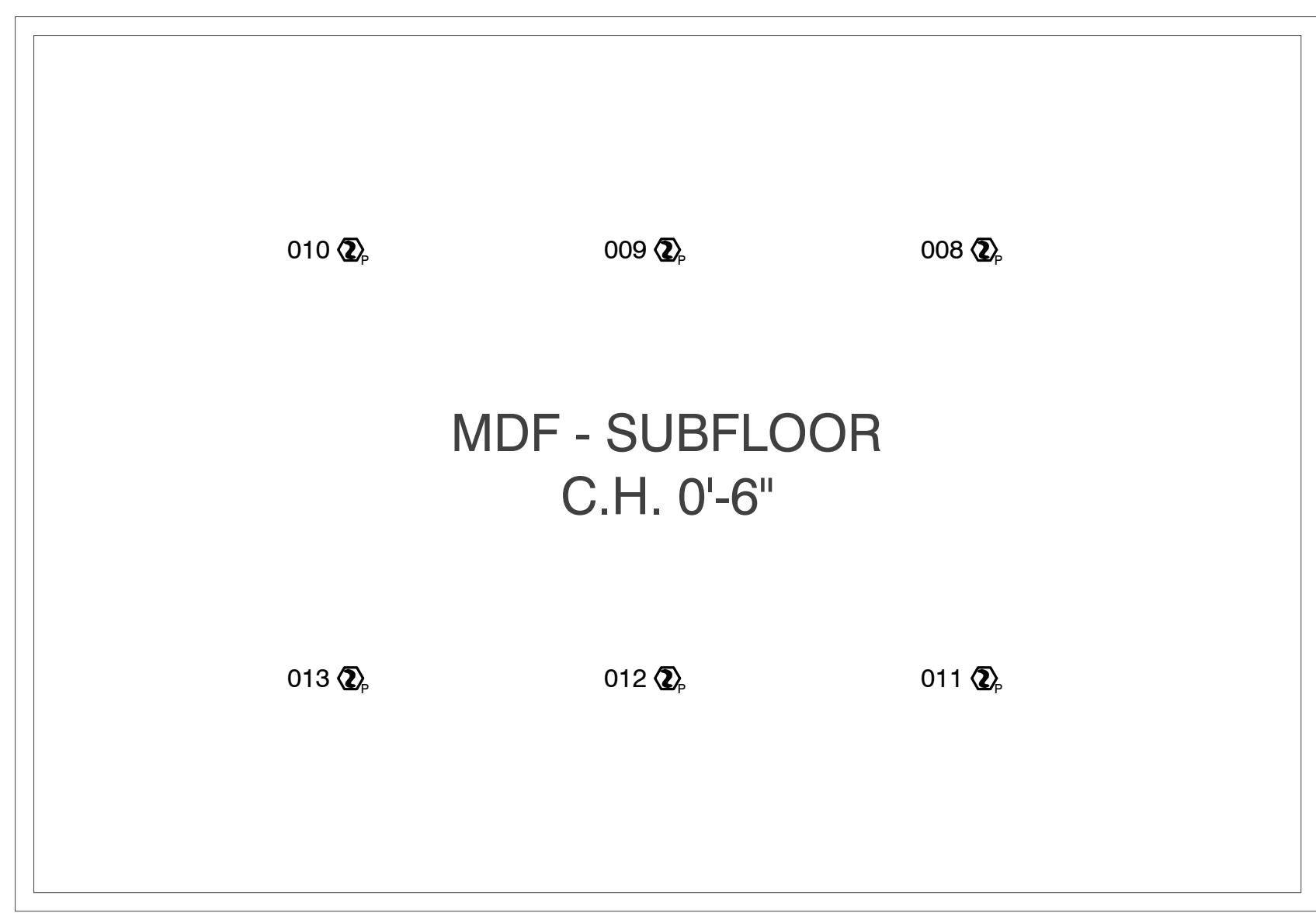
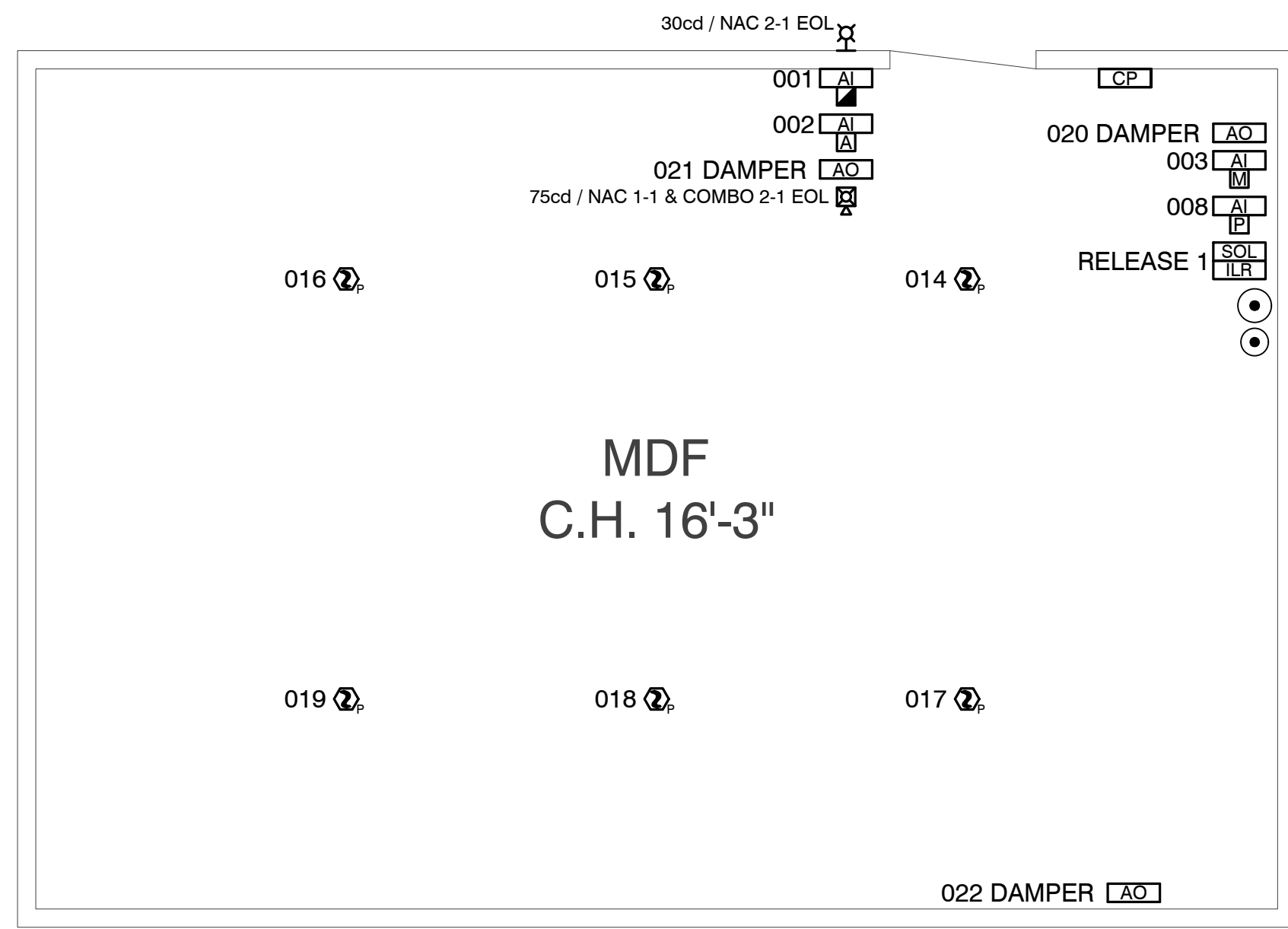
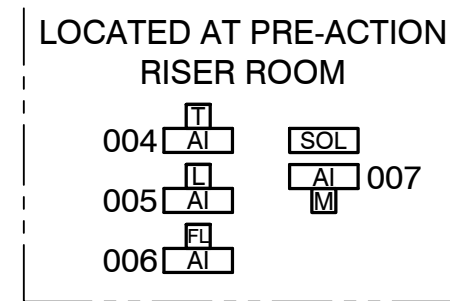
**GOOD SAMARITAN HOSPITAL**  
401 15TH AVENUE SE  
PUYALLUP, WASHINGTON, 98372

DESIGNED BY: NMR	SCALE: NOT TO SCALE UNLESS NOTED OTHERWISE
DRAWN BY: JAC	
CHECKED BY: ZST	
JOB NUMBER: 2207	

SHEET TITLE:  
FIRE PROTECTION DRAWINGS  
SEQUENCE OF OPERATIONS

SHEET NUMBER:  
FP-03 of 6

**SHEET NOTES:**  
ALL CLEAN AGENT CYLINDERS, PIPING, AND NOZZLES ARE EXISTING TO REMAIN.



City of Puyallup  
Development & Permitting Services  
**ISSUED PERMIT**

Building	Planning
Engineering	Public Works
Fire	Traffic

SUPPRESSION SYSTEMS INC.  
SPECIAL HAZARDS FIRE PROTECTION  
3077 20TH STREET EAST, SUITE B  
FIFE, WA 98424-1798  
(253) 926-3300 FAX (253) 926-3306

NICET STAMPS

NATHANIEL SCHERBECK  
NICET #111032 - LEVEL 4, FIRE ALARM

MANUFACTURER LOGOS

Kidde  
Fire Systems

FIRE PROTECTION ENGINEERS STAMP

COMPLIANCE SUBMITTALS	DATE
100% SUBMITTAL	04/05/22

REV	DESCRIPTION	DATE
△		
△		
△		
△		

PROJECT INFORMATION:

**GOOD SAMARITAN HOSPITAL**  
401 15TH AVENUE SE  
PUYALLUP, WASHINGTON, 98372

DESIGNED BY: NMR	SCALE: NOT TO SCALE UNLESS NOTED OTHERWISE
DRAWN BY: JAC	
CHECKED BY: ZST	
JOB NUMBER: 2207	

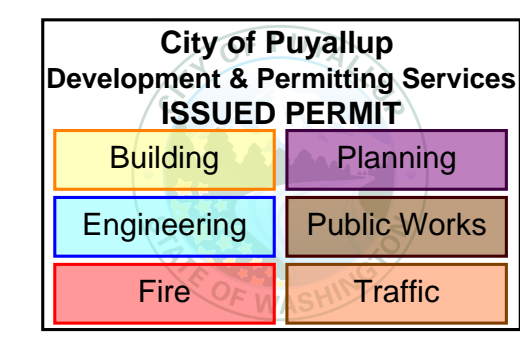
SHEET TITLE:  
FIRE PROTECTION DRAWINGS  
FLOOR PLANS

SHEET NUMBER:  
FP-04 of 6

COMPLIANCE SUBMITTALS	DATE
100% SUBMITTAL	04/05/22

REV	DESCRIPTION	DATE
△		
△		
△		
△		

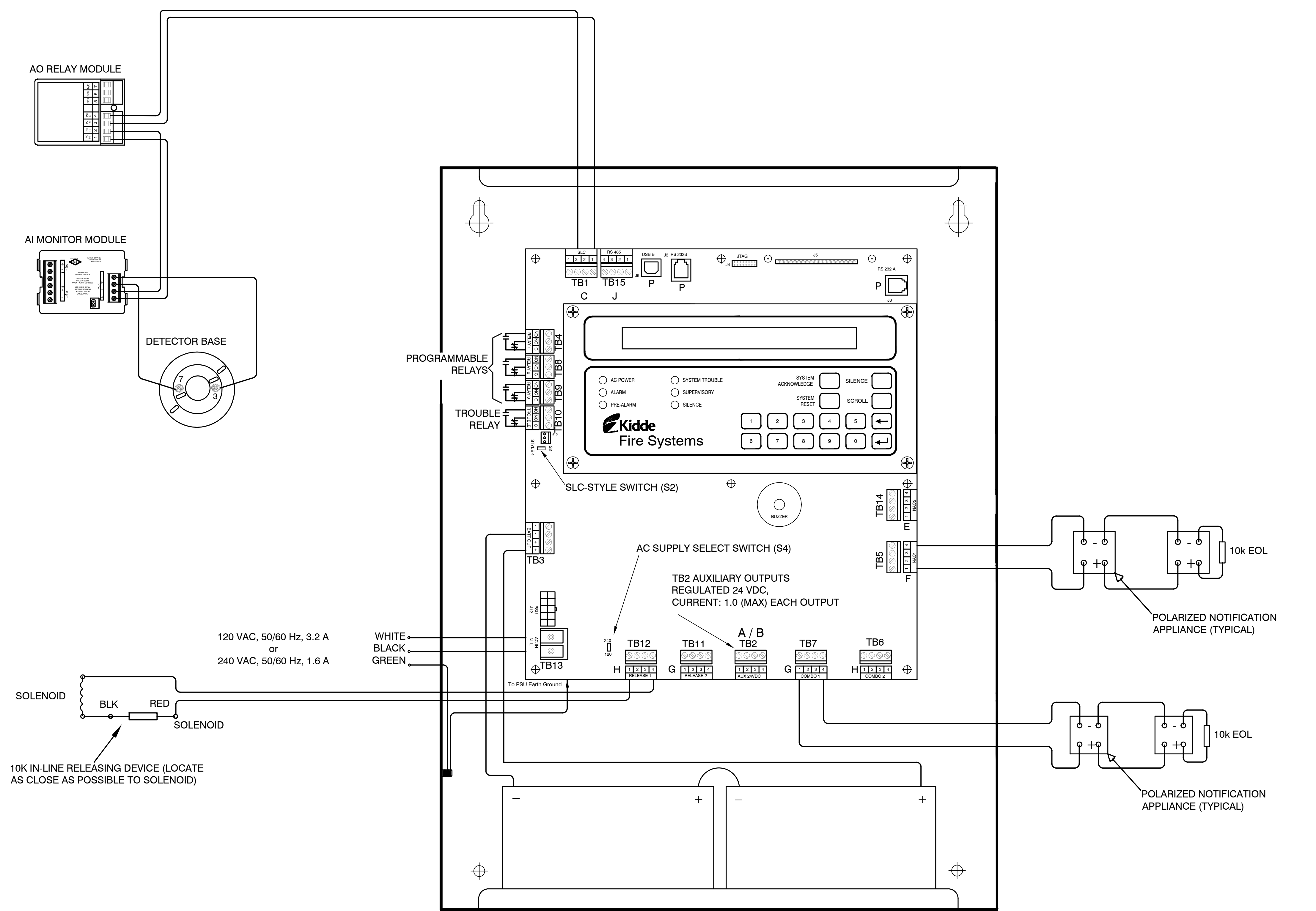
PROJECT INFORMATION:  
**GOOD SAMARITAN HOSPITAL**  
401 15TH AVENUE SE  
PUYALLUP, WASHINGTON, 98372



DESIGNED BY: NMR	SCALE: NOT TO SCALE
DRAWN BY: JAC	SCALE: UNLESS NOTED OTHERWISE
CHECKED BY: ZST	
JOB NUMBER: 2207	

SHEET TITLE:  
FIRE PROTECTION DRAWINGS  
ELECTRICAL MULTI-LINE  
WIRING DIAGRAM

SHEET NUMBER:  
FP-05 of 6



**POWER SUPPLY:**  
**\*\*5 AMP MAXIMUM ALL EXTERNAL DEVICES\*\***  
NOTE: EXTERNAL DEVICES INCLUDE ALL NOTIFICATION APPLIANCES, RELEASING SOLENOIDS, SLC INITIATING AND CONTROL DEVICES AND ALL DEVICES POWERED FROM THE PANEL POWER SUPPLY.  
**TB #13 - AC/DC POWER SUPPLY UNIT**  
5.4 A @ 27VDC  
120 OR 240 VAC  
50/60 Hz LINE VOLTAGE  
NON-POWER LIMITED  
**TB #3 - BATTERY CONNECTION**  
SUPERVISED  
24 VDC NOMINAL  
MAX. BATTERY SIZE 70 AH  
NON-POWER LIMITED - DEDICATED CIRCUIT

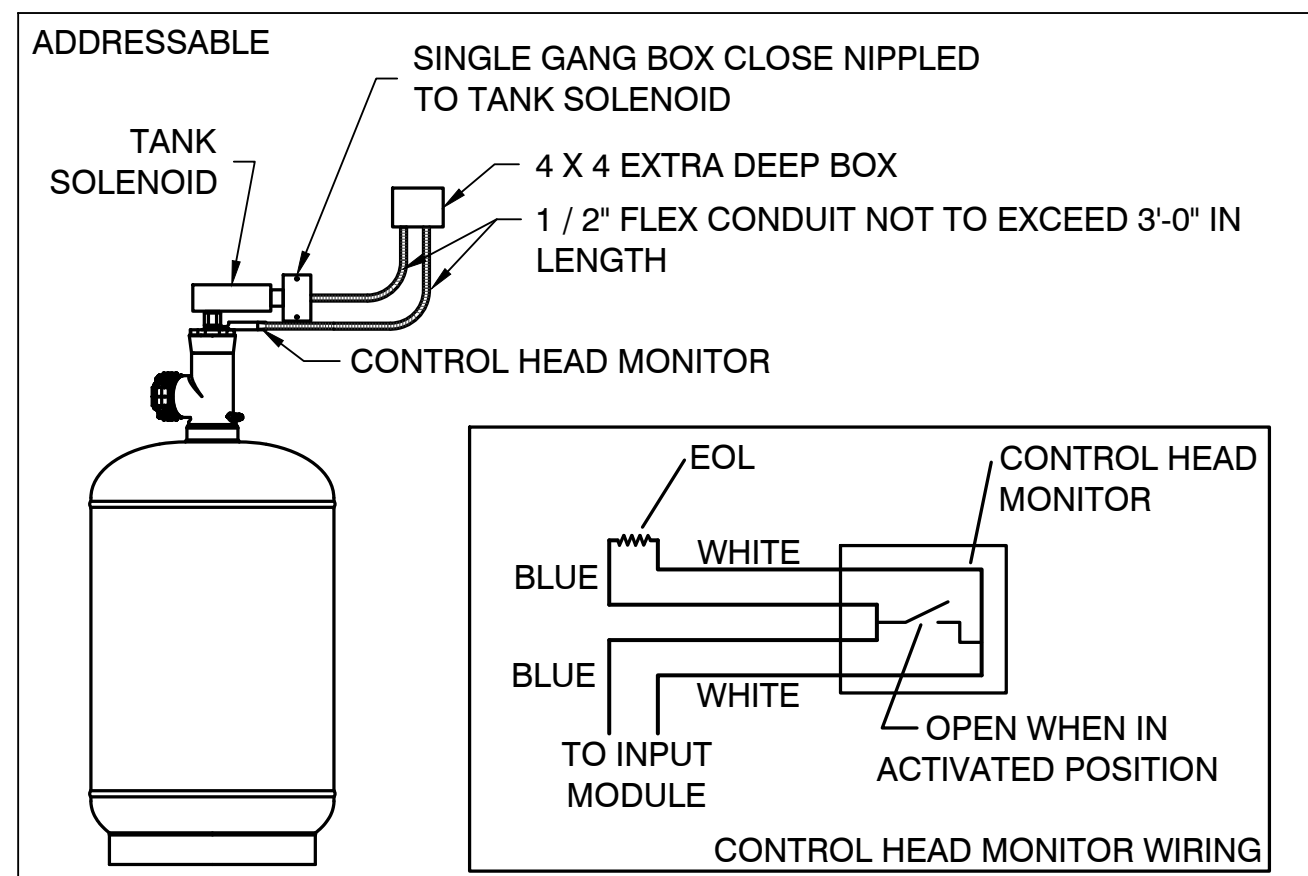
**RELAYS (POWER OR NON-POWER LIMITED BUT NOT BOTH):**  
**TB #4, TB #8, TB #9 - PROGRAMMABLE RELAY SPDT FORM C CONTACT**  
RATED FOR 1.0 AMPS @ 30 VDC (RESTRICTIVE)  
RATED FOR 0.5 AMPS @ 30 VDC (INDUCTIVE)  
RATED FOR 0.5 AMPS @ 120 VDC (INDUCTIVE)  
**TB #10 - TROUBLE RELAY SPDT FORM C CONTACT**  
RATED FOR 1.0 AMPS @ 30 VDC (RESTRICTIVE)  
RATED FOR 0.5 AMPS @ 30 VDC (INDUCTIVE)  
RATED FOR 0.5 AMPS @ 120 VDC (INDUCTIVE)

**AUXILIARY POWER:**  
**TB #2 - RESETTABLE 24VDC POWER OUTPUT**  
POWER LIMITED AND SUPERVISED  
1 AMP MAXIMUM EACH CIRCUIT  
**\*\*5 AMP MAXIMUM ALL EXTERNAL DEVICES\*\***  
NOTE: EXTERNAL DEVICES INCLUDE ALL NOTIFICATION APPLIANCES, RELEASING SOLENOIDS, SLC INITIATING AND CONTROL DEVICES AND ALL DEVICES POWERED FROM THE 24 Vdc POWER SUPPLY.

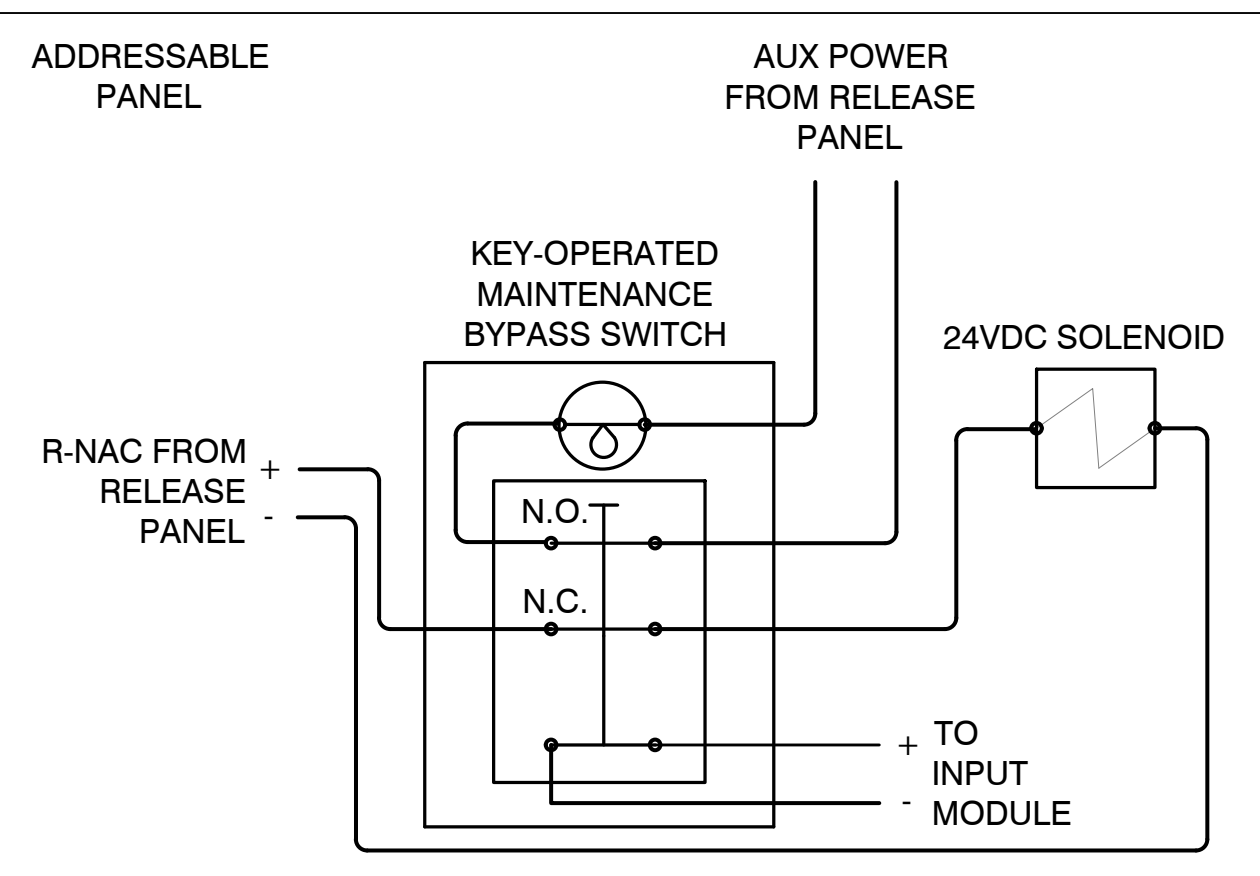
**SIGNALING LINE CIRCUIT (SLC):**  
**TB #1 SIGNALING LINE CIRCUIT WIRING REQUIREMENTS**  
POWER LIMITED AND SUPERVISED  
UP TO 255 ADDRESSABLE DEVICES  
CLASS "B" STYLE 4  
**(CLASS "A" CONDUIT SEPARATION SHALL BE MAINTAINED AT A MINIMUM OF 1 FOOT VERTICALLY AND 4 FEET HORIZONTALLY. NFPA 72 CHAPTER 6**  
CLASS "A" STYLE 6  
CLASS "A" STYLE 7 USING ISOLATOR DEVICES  
350MA MAX / 28VDC MAX / 40 OHMS MAX / 20Pf PER FOOT  
TWISTED, UNSHIELDED, LOW-CAPACITANCE,  
ADDRESSABLE-FIRE ALARM WIRE

**NOTIFICATION APPLIANCE CIRCUITS (NAC) AND RELEASING CIRCUITS:**  
**TB #5 AND TB #14 NAC CIRCUITS**  
POWER LIMITED AND SUPERVISED  
NOT "T" TAPPABLE  
REGULATED 24VDC, 1.5 AMPS MAX PER CIRCUIT  
CLASS "B", STYLE "Y" / CLASS "A", STYLE "Z"  
MAXIMUM # SYNCHRONIZED DEVICES PER CIRCUIT IS 25  
**TB #11 AND TB #12 RELEASING CIRCUITS**  
SERIES WIRED INITIATOR ASSEMBLIES  
SINGLE CONTROL HEAD OR SOLENOID VALVE  
TWO SERIES-SUPERVISED, PARALLEL-ACTUATED  
CONTROL HEADS OR SOLENOID VALVES  
MAX RELEASE CURRENT 2.4 AMPS PER CIRCUIT  
**TB #6 AND TB #7 COMBINATION CIRCUITS**  
PROGRAMMED AS NAC CIRCUITS FUNCTION THE SAME AS ABOVE  
PROGRAMMED AS RELEASE CIRCUITS CAN SUPPORT ONE CONTROL HEAD OR ONE PRE-ACTION SOLENOID

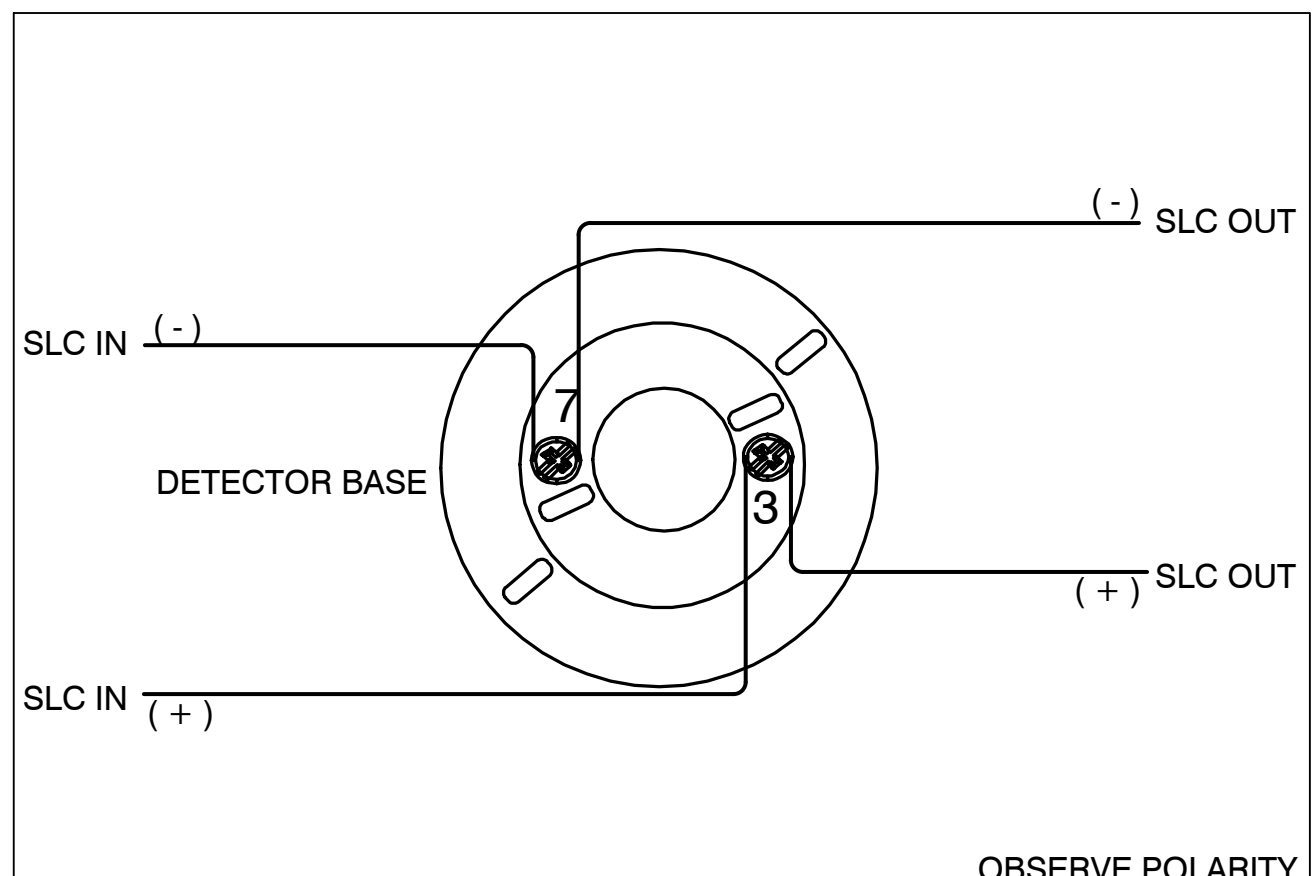
## ARIES TYPICAL WIRING DIAGRAM



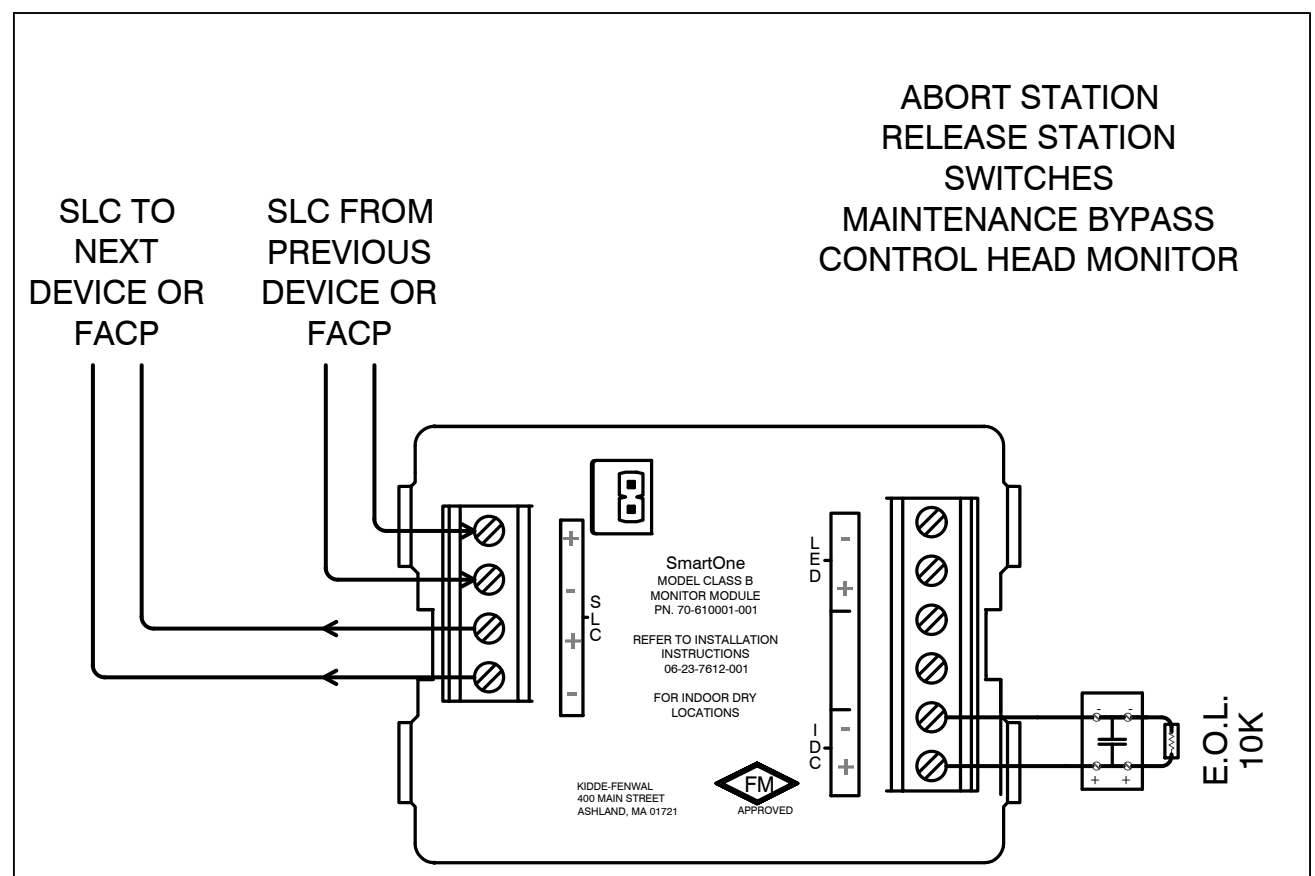
GENERAL VERTICAL TANK SOLENOID WIRING DETAIL



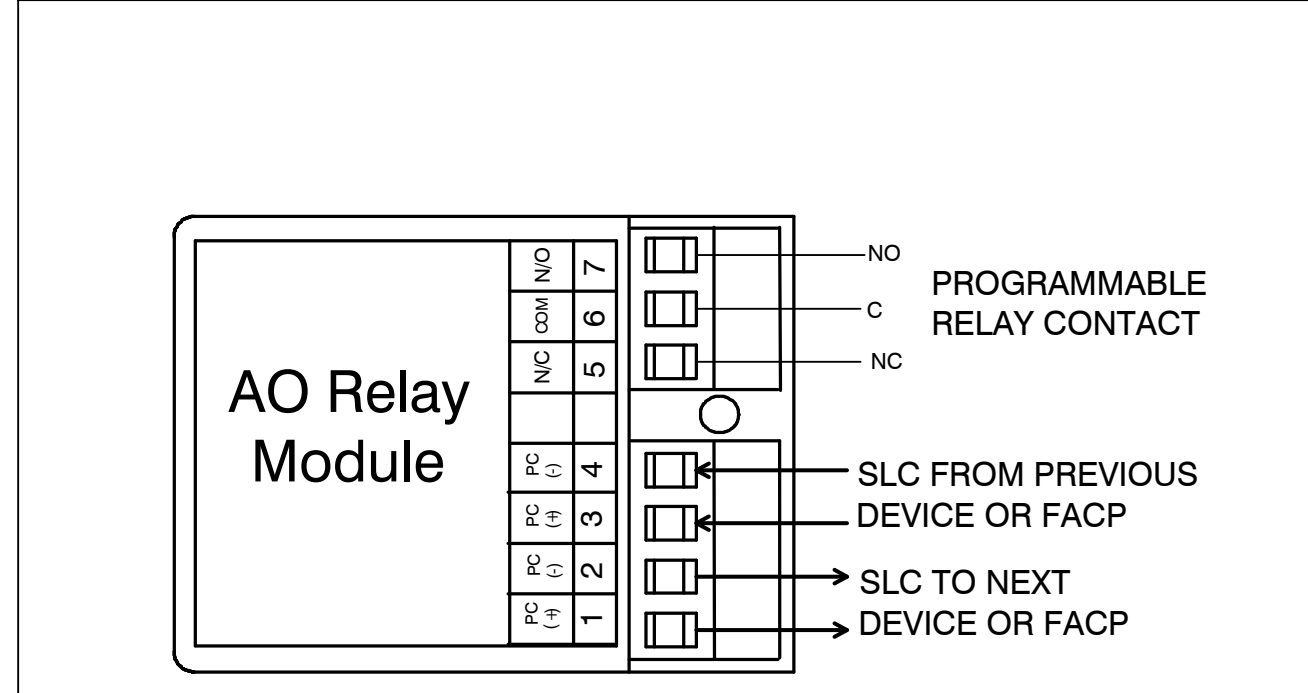
KEY OPERATED MAINTENANCE BYPASS SWITCH WIRING DETAIL



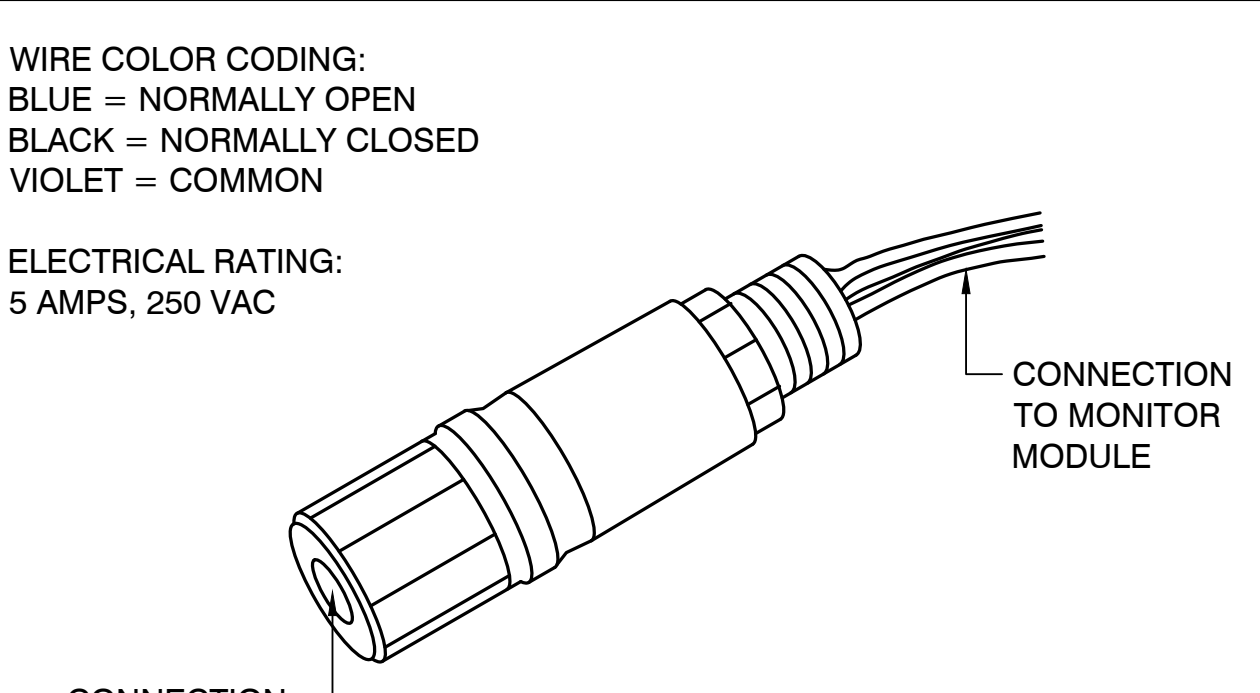
PHOTOELECTRIC OR HEAT DETECTOR WIRING DETAIL



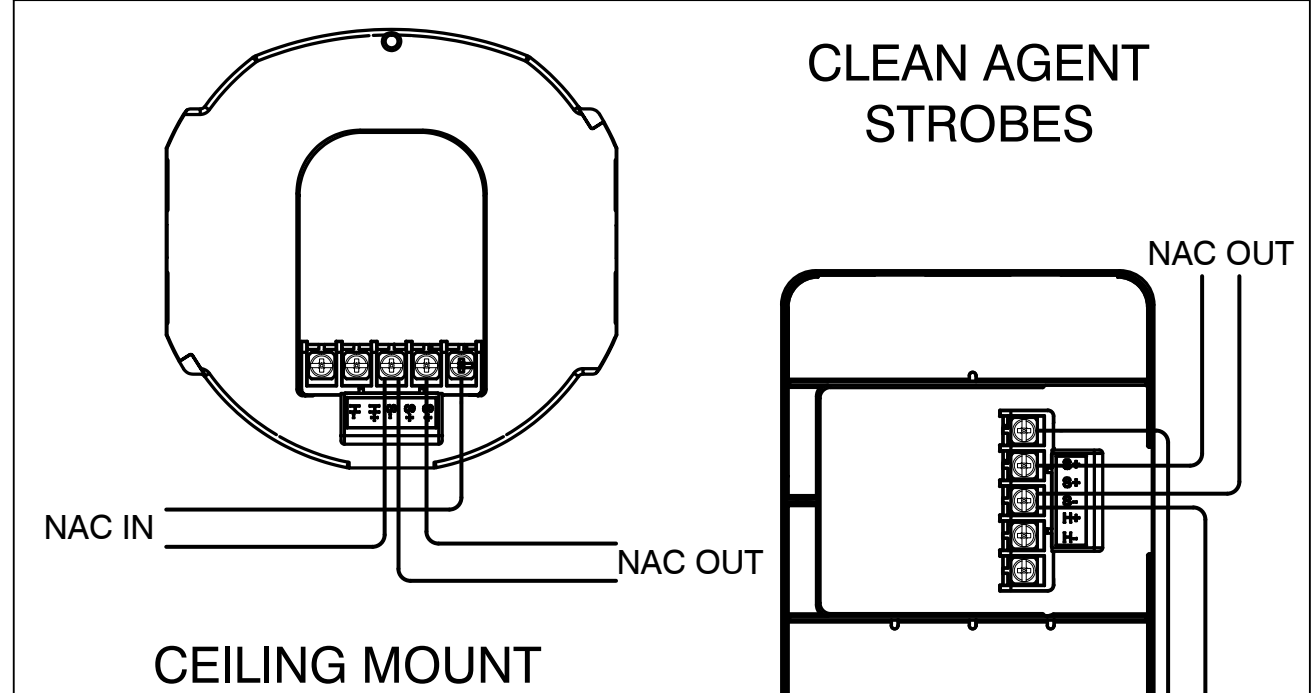
ADDRESSABLE MONITOR MODULE WIRING DETAIL



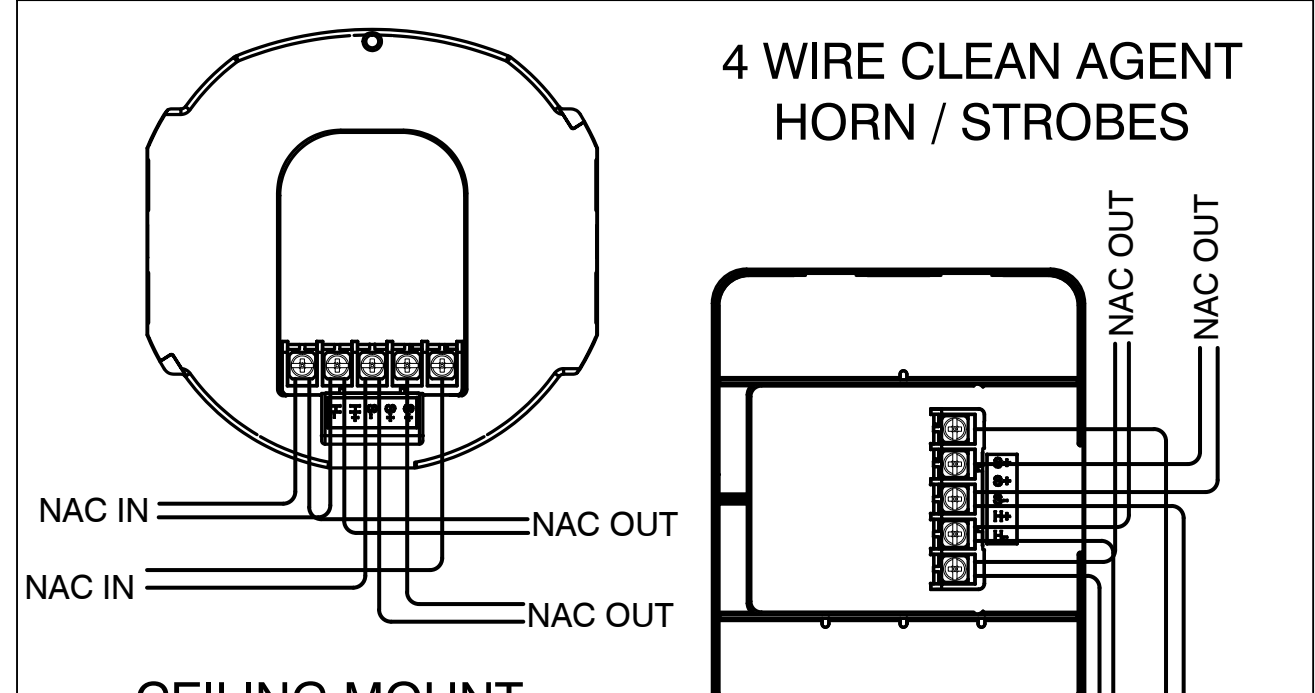
ADDRESSABLE CONTROL MODULE WIRING DETAIL



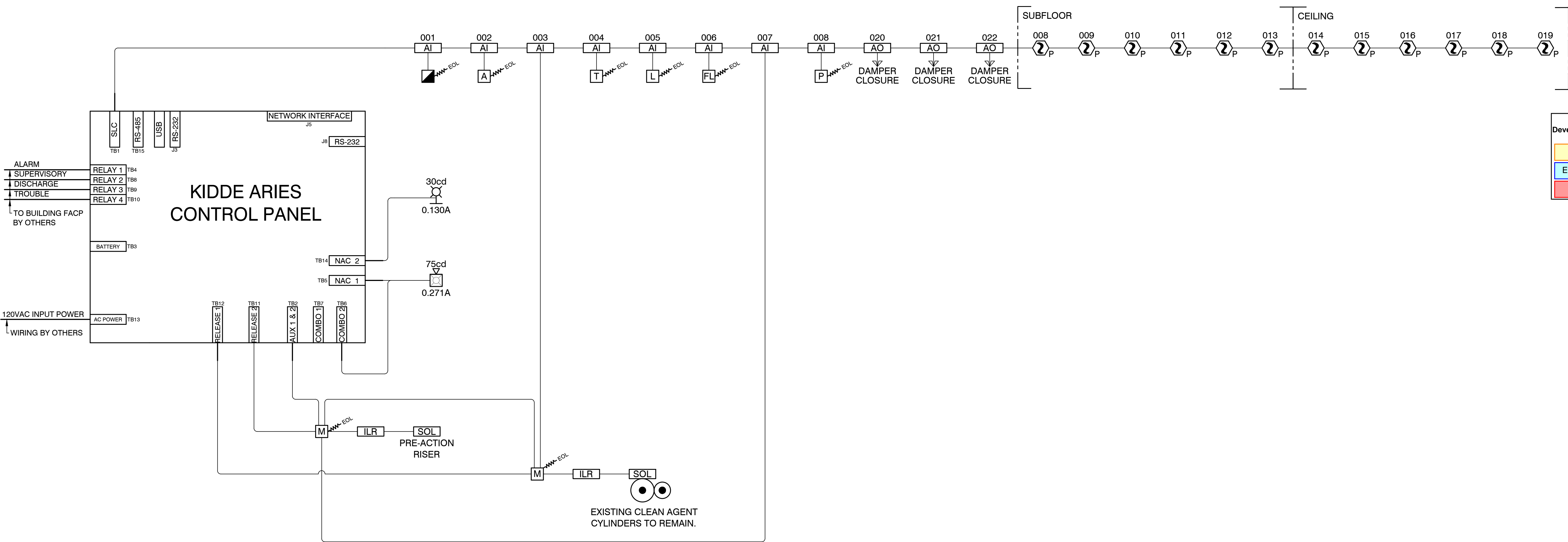
SUPERVISORY PRESSURE SWITCH



POTTER STROBE WALL AND CEILING MOUNT WIRING DETAIL



POTTER HORN STROBE WALL AND CEILING MOUNT WIRING DETAIL



City of Puyallup  
Development & Permitting Services  
**ISSUED PERMIT**

Building	Planning
Engineering	Public Works
Fire	Traffic

SUPPRESSION SYSTEMS INC.  
SPECIAL HAZARDS FIRE PROTECTION  
3077 20TH STREET EAST, SUITE B  
FIFE, WA 98424-1798  
(253) 926-3300 FAX (253)926-3306

NICET STAMPS  
NATURAL SCHEIBER  
NICET #111032 - LEVEL 4, FIRE ALARM

MANUFACTURER LOGOS  
Kidde Fire Systems

FIRE PROTECTION ENGINEERS STAMP

COMPLIANCE SUBMITTALS	DATE
100% SUBMITTAL	04/05/22

REV	DESCRIPTION	DATE
△		
△		
△		
△		

PROJECT INFORMATION:  
**GOOD SAMARITAN HOSPITAL**  
401 15TH AVENUE SE  
PUYALLUP, WASHINGTON, 98372

DESIGNED BY: NMR  
DRAWN BY: JAC  
CHECKED BY: ZST  
JOB NUMBER: 2207

SHEET TITLE:  
FIRE PROTECTION DRAWINGS  
ELECTRICAL MULTI-LINE  
WIRING DIAGRAM

SHEET NUMBER:  
FP-06 of 6