

STEP BY STEP GATEWAY

3303 8th AVE SE
 PUYALLUP, WA 98372
FIRE ALARM SYSTEM

EVERGREEN FIRE AND SECURITY
 CERTIFIED BY UNDERWRITERS LABORATORIES



NICET CERTIFICATION INFO	
NICET #	114223
LEVEL	IV
SUB-FIELD	FIRE ALARMS
EXPIRATION DATE	08/01/23
NAME	BRIAN LINDBO

GENERAL NOTES

**City of Puyallup
 Development & Permitting Services
 ISSUED PERMIT**

Building	Planning
Engineering	Public Works
Fire	Traffic

REVISIONS/NOTES	
REVISION	
DATE	CAD/DESIGN

JOB DETAILS	
DESIGNED BY:	B.LINDBO
DRAWN BY:	A.MURPHREE
CHECKED BY:	D.MOLMEN
CREATION DATE:	01/24/2022
DRAWING SCALE:	VARIES

JOB NAME
 STEP BY STEP GATEWAY
 TITLE PAGE

PAGE NUMBER
FA-000
 01 OF 11

DRAWING SHEET INDEX	
SHEET NO.	DESCRIPTION
FA-000	COVER SHEET
FA-001	PROJECT INFORMATION
FA-100	STEP BY STEP GATEWAY - SITE PLAN
FA-101	STEP BY STEP GATEWAY - FLOOR PLAN
FA-500	PANEL DETAILS
FA-501	CONNECTION DETAILS
FA-502	DEVICE DETAILS
FA-503	DEVICE DETAILS (CONT.)
FA-600	RISER
FA-601	MATRIX
FA-602	BATTERY CALCS

**City of Puyallup
 Fire
 REVIEWED
 FOR
 COMPLIANCE**
 DDrake
 05/12/2022
 7:28:41 AM

THE APPROVED CONSTRUCTION PLANS AND ALL ENGINEERING MUST BE POSTED ON THE JOB AT ALL INSPECTIONS IN A VISIBLE AND READILY ACCESSIBLE LOCATION.

Approval of submitted plans is not an approval of omissions or oversight by this office or noncompliance with any applicable regulations of local government. The contractor is responsible for making sure that the building complies with all applicable building codes and regulations of the local government.

SUBMITTAL

GENERAL SYSTEM NOTES

1. METALLIC RACEWAY SHALL BE USED IF REQUIRED BY CODE.
2. ALL RACEWAYS MUST BE FREE OF MOISTURE.
3. REFER TO EVERGREEN FIRE & SECURITY (EFS) FIRE DATA SHEETS FOR PROPER TYPE AND SIZES OF REQUIRED DEVICE MOUNTING BOXES. ELECTRICAL CONTRACTOR IS RESPONSIBLE FOR PROPER INSTALLATION OF ALL DEVICES.
4. AC VOLTAGE IS NOT PERMITTED IN THE SAME RACEWAY AS FIRE ALARM WIRING.
5. UNRELATED (NON-FIRE) WIRING SHALL NOT BE IN THE SAME RACEWAY AS FIRE ALARM WIRING.
6. ALL CONTRACTOR FIELD WIRING MUST ENTER TOP AND/OR BOTTOM RIGHT OF FIRE ALARM CONTROL PANEL ONLY. SEE DATA SHEET.
7. ALL FIRE ALARM WIRING SHALL TEST FREE OF OPENS, SHORTS, AND GROUNDS.
8. ALL WIRES SHALL BE LABELED AND TAGGED.
9. ELECTRICAL CONTRACTOR IS RESPONSIBLE FOR PROVIDING AND INSTALLING ALL CONDUIT AND BACK BOXES. EFS WILL PROVIDE ALL SPECIALTY BACK BOXES FOR ELECTRICAL CONTRACTOR INSTALLATION.
10. ALL WIRE SHALL MEET ALL APPLICABLE NATIONAL ELECTRICAL CODE ARTICLES FOR FIRE ALARM AND LOW VOLTAGE WIRING.

FIRE SYSTEM DESIGNED BY: EVERGREEN FIRE & SECURITY
TACOMA, WASHINGTON

FIRE SYSTEM INSTALLED BY: EVERGREEN FIRE & SECURITY
TACOMA, WASHINGTON

FIRE SYSTEM EQUIPMENT BY: EVERGREEN FIRE & SECURITY
TACOMA, WASHINGTON

WIRE CHART

CIRCUIT TYPE	CABLE TYPE	NO.	GAUGE	COLOR	NOTES
ADDRESSABLE INITIATING CIRCUIT	FPLR	A	16/2	RED JACKET	
INDICATING CIRCUIT - BELL CIRCUIT	FPLR	B	12/2	RED JACKET	
INDICATING CIRCUIT - FA NAC	FPLR	N	12/2	RED JACKET	
ANNUNCIATOR CIRCUIT	FPLR	L	16/4	RED JACKET	
REMOTE LED CIRCUIT	FPLR	R	16/2	RED JACKET	
REMOTE TEST SWITCH	FPLR	T	16/4	RED JACKET	

SYMBOL INDEX

SYMBOL	DESCRIPTION	MANUFACTURE	MODEL NUMBER	BACK BOX	QTY
	FIRE ALARM CONTROL PANEL	SILENT KNIGHT	IFP-300	EPS TO SUPPLY	1
	REMOTE ANNUNCIATOR	SILENT KNIGHT	00RA-1000	EPS TO SUPPLY	1
	REMOTE TEST SWITCH	SILENT KNIGHT	RTS151KEY	4 SQ. DEEP BOX SINGLE GANG MUD RING	1
	ADDRESSABLE HEAT DETECTOR	SILENT KNIGHT	IDP-HEAT-W	SINGLE GANG BOX	1
	PHOTOELECTRIC SMOKE & SENSOR BASE (A BY SMOKE INDICATES ABOVE T-BAR CEILING)	SILENT KNIGHT	IDP-PHOTO-W B300-6	4 SQ. DEEP BOX SINGLE GANG MUD RING	22
	INTELLIGENT DUCT SMOKE DETECTOR	SILENT KNIGHT	DNR IDP-PHOTO-R-W	EPS TO SUPPLY	1
	DOUBLE ACTION ADDRESSABLE PULL STATION	SILENT KNIGHT	IDP-PULL-DA	4 SQ. DEEP BOX SINGLE GANG MUD RING	1
	SINGLE INPUT MONITOR MODULE	SILENT KNIGHT	IDP-MONITOR	4 SQ. DEEP BOX	2
	DUAL INPUT MONITOR MODULE	SILENT KNIGHT	IDP-MONITOR-2	4 SQ. DEEP BOX	4
	CONTROL RELAY MODULE	SILENT KNIGHT	IDP-RELAY	4 SQ. DEEP BOX	1
	CEILING MOUNT HORN/STROBE	SYSTEM SENSOR	PC2WL	4 SQ. DEEP BOX SINGLE GANG MUD RING	8
	WEATHERPROOF HORN/STROBE	SYSTEM SENSOR	P2RK	EPS TO SUPPLY	1
	FIRE STROBE, WALL	SYSTEM SENSOR	SWL	5 SQ. BOX 4 SQ. MUD RING	2
	WEATHERPROOF SPRINKLER BELL	SYSTEM SENSOR	SSM-24-10	EPS TO SUPPLY	1
	LED INDICATOR	SYSTEM SENSOR	RA100Z	4 SQ. DEEP BOX SINGLE GANG MUD RING	6
	FLOW SWITCH (F.B.O.)	F.B.O.	F.B.O.	F.B.O.	1
	TAMPER SWITCH (F.B.O.)	F.B.O.	F.B.O.	F.B.O.	4
	POST INDICATOR VALVE (F.B.O.)	F.B.O.	F.B.O.	F.B.O.	1
	LOW AIR	F.B.O.	F.B.O.	F.B.O.	1
	PRESSURE SWITCH	F.B.O.	F.B.O.	F.B.O.	1



NICET CERTIFICATION INFO

NICET #	114223
LEVEL	IV
SUB-FIELD	FIRE ALARMS
EXPIRATION DATE	08/01/23
NAME	BRIAN LINDBO

GENERAL NOTES

**City of Puyallup
Development & Permitting Services
ISSUED PERMIT**

Building	Planning
Engineering	Public Works
Fire	Traffic

REVISIONS/NOTES

REVISION	DATE	CAD/DESIGN

JOB DETAILS

DESIGNED BY:	B.LINDBO
DRAWN BY:	A.MURPHREE
CHECKED BY:	D.MOLMEN
CREATION DATE:	01/24/2022
DRAWING SCALE:	VARIES

JOB NAME

STEP BY STEP GATEWAY

PROJECT INFORMATION

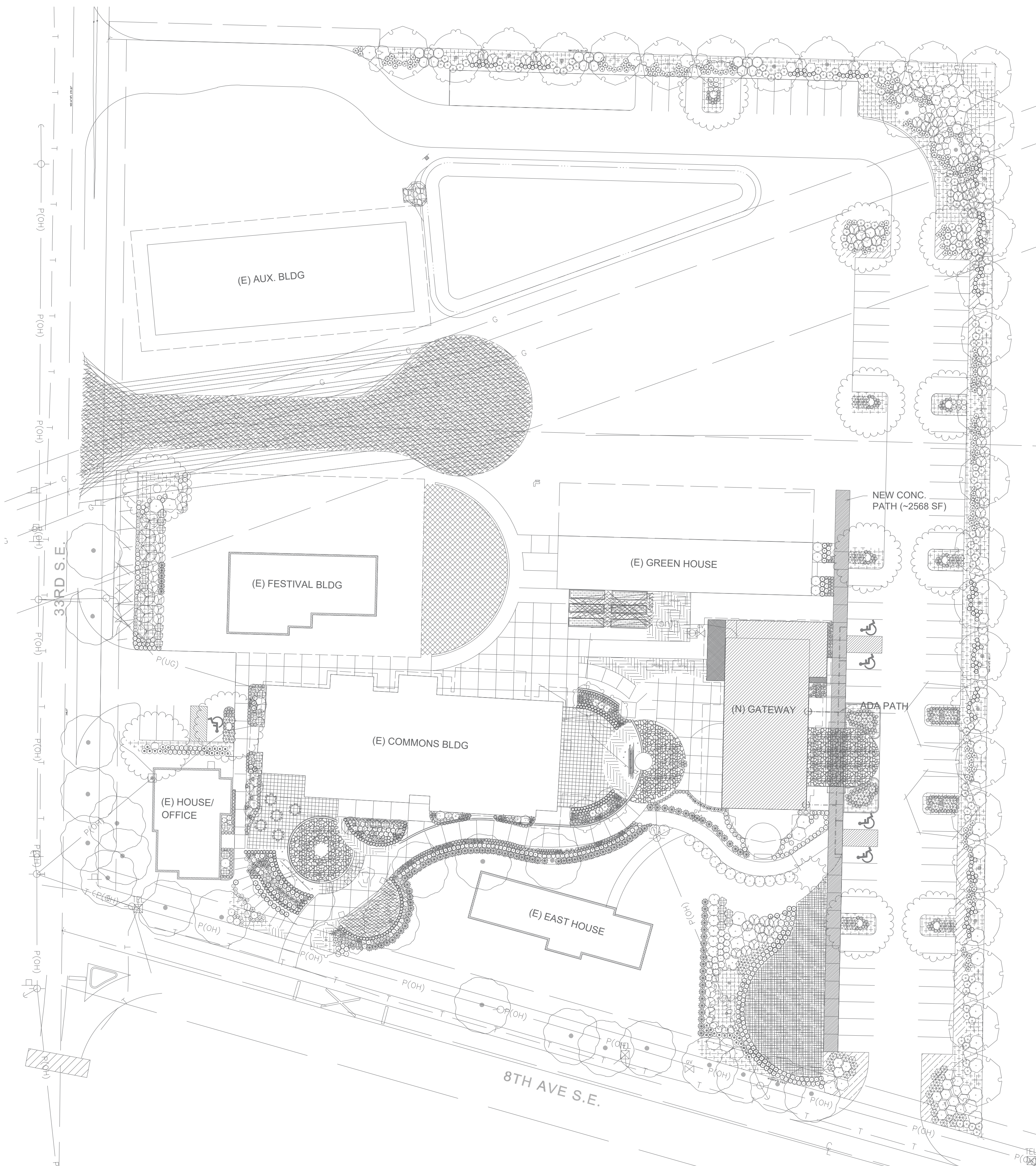
PAGE NUMBER

FA-001

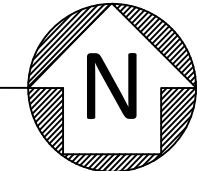
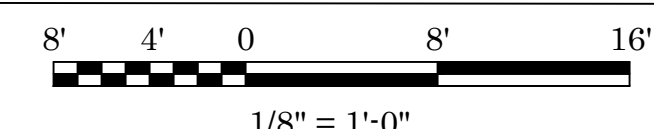
02 OF 11

PROJECT INFORMATION

SUBMITTAL



STEP BY STEP GATEWAY - SITE PLAN



SUBMITTAL

Evergreen
FIRE AND SECURITY

EVERGREEN FIRE AND SECURITY
2111 SOUTH 90TH STREET
TACOMA, WA. 98444
253-627-3794

NICET CERTIFICATION INFO

NICET #	114223
LEVEL	IV
SUB-FIELD	FIRE ALARMS
EXPIRATION DATE	08/01/23
NAME	BRIAN LINDBO

GENERAL NOTES

City of Puyallup
Development & Permitting Services
ISSUED PERMIT

Building	Planning
Engineering	Public Works
Fire	Traffic

REVISIONS/NOTES

REVISION	DATE	CAD/DESIGN

JOB DETAILS

DESIGNED BY:	B.LINDBO
DRAWN BY:	A.MURPHREE
CHECKED BY:	D.MOLMEN
CREATION DATE:	01/24/2022
DRAWING SCALE:	VARIES

JOB NAME

STEP BY STEP GATEWAY
STEP BY STEP GATEWAY - SITE PLAN

PAGE NUMBER

FA-100
03 OF 11



EVERGREEN FIRE AND SECURITY
2111 SOUTH 90TH STREET
TACOMA, WA. 98444
253-627-3794

NICET CERTIFICATION INFO	
NICET #	114223
LEVEL	IV
SUB-FIELD	FIRE ALARMS
EXPIRATION DATE	08/01/23
NAME	BRIAN LINDBO

GENERAL NOTES

- 1 KITCHEN HOOD ANSUL SYSTEM MONITORING MODULE.
- 2 TWO PHONE LINES ARE REQUIRED FOR MOITORING VIA PHONE LINES.
- 3 THIS AREA IS OPEN TO STRUCTURE
- 4 THIS AREA ABOVE THE RESTROOM IS THE ONLY ATTIC SPACE IN THIS BUILDING

City of Puyallup
Development & Permitting Services
ISSUED PERMIT

Building	Planning
Engineering	Public Works
Fire	Traffic

REVISIONS/NOTES

REVISION	DATE	CAD/DESIGN

JOB DETAILS

DESIGNED BY: B.LINDBO
DRAWN BY: A.MURPHREE
CHECKED BY: D.MOLMEN
CREATION DATE: 01/24/2022
DRAWING SCALE: VARIES

JOB NAME

STEP BY STEP GATEWAY

STEP BY STEP GATEWAY
- FLOOR PLAN

PAGE NUMBER

FA-101

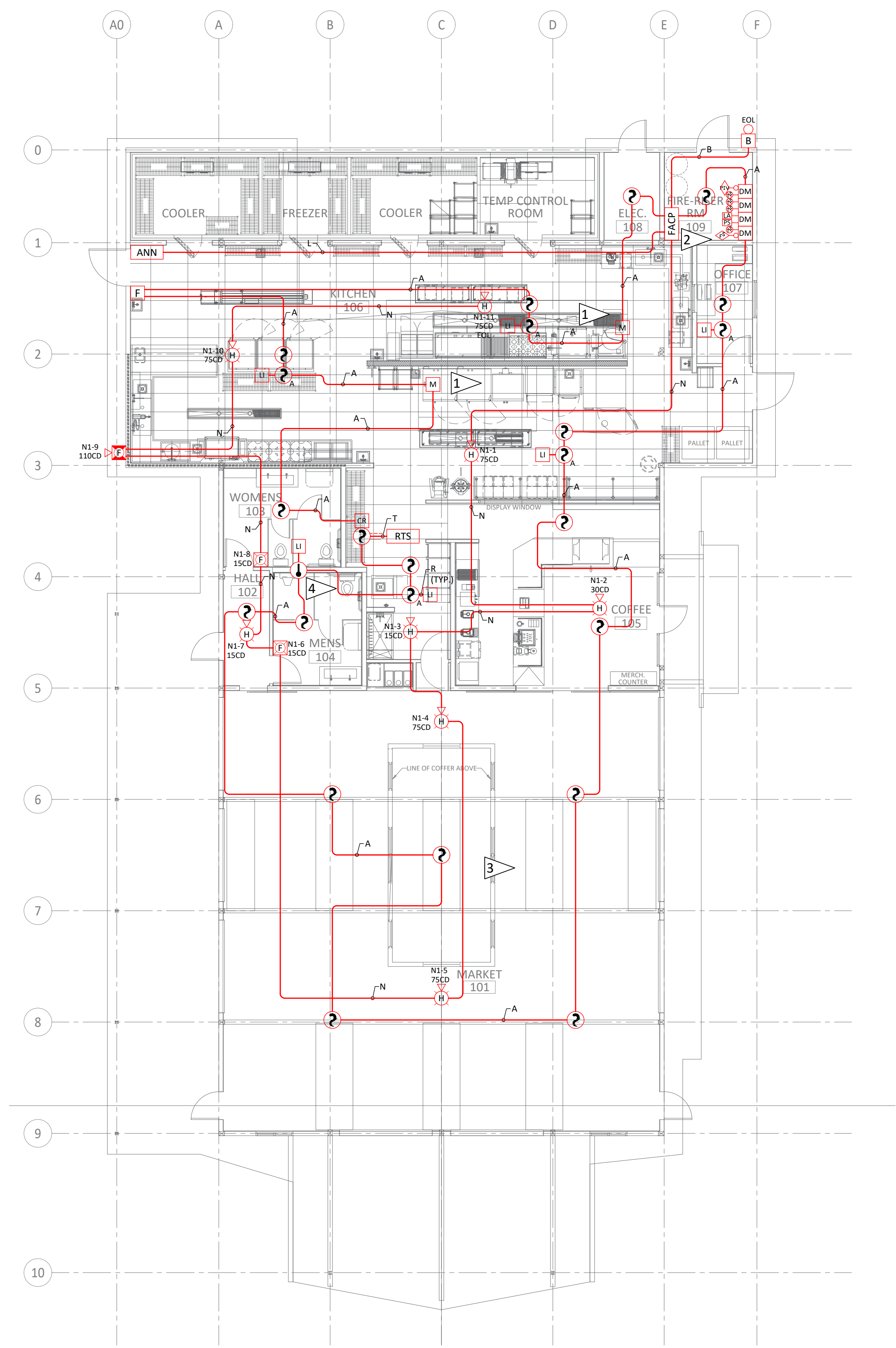
04 OF 11

SYMBOL LEGEND

SYMBOL	DESCRIPTION	QTY
[FACP]	FIRE ALARM CONTROL PANEL	1
[ANN]	REMOTE ANNUNCIATOR	1
[RTS]	REMOTE TEST SWITCH	1
[H]	ADDRESSABLE HEAT DETECTOR	1
[S]	PHOTOELECTRIC SMOKE & SENSOR BASE (A BY SMOKES INDICATES ABOVE T-BAR CEILING)	22
[ISD]	INTELLIGENT DUCT SMOKE DETECTOR	1
[F]	DOUBLE ACTION ADDRESSABLE PULL STATION	1
[M]	SINGLE INPUT MONITOR MODULE	2
[DM]	DUAL INPUT MONITOR MODULE	4
[CR]	CONTROL RELAY MODULE	1
[H]	CEILING MOUNT HORN/STROBE	8
[WHS]	WEATHERPROOF HORN/STROBE	1
[FS]	FIRE STROBE, WALL	2
[B]	WEATHER PROOF SPRINKLER BELL	1
[LI]	LED INDICATOR	6
[FS]	FLOW SWITCH (F.B.O.)	1
[TS]	TAMPER SWITCH (F.B.O.)	1
[PIV]	POST INDICATOR VALVE (F.B.O.)	1
[LA]	LOW AIR	1
[PS]	PRESSURE SWITCH	1

WIRE CHART

CABLE USE	CABLE TYPE	NO.	GAUGE	COLOR
ADDRESSABLE INITIATING CIRCUIT	FPLR	A	16/2	RED JACKET
INDICATING CIRCUIT - BELL CIRCUIT	FPLR	B	12/2	RED JACKET
INDICATING CIRCUIT - FA NAC	FPLR	N	12/2	RED JACKET
ANNUNCIATOR CIRCUIT	FPLR	L	16/4	RED JACKET
REMOTE LED CIRCUIT	FPLR	R	16/2	RED JACKET
REMOTE TEST SWITCH	FPLR	T	16/4	RED JACKET



STEP BY STEP GATEWAY - FLOOR PLAN

Scale: 1/8" = 1'-0"
North Arrow pointing up

SUBMITTAL



Evergreen
FIRE AND SECURITY

EVERGREEN FIRE AND SECURITY
2111 SOUTH 90TH STREET
TACOMA, WA. 98444
253-627-3794

NICET CERTIFICATION INFO	
NICET #	114223
LEVEL	IV
SUB-FIELD	FIRE ALARMS
EXPIRATION DATE	08/01/23
NAME	BRIAN LINDBO

GENERAL NOTES

City of Puyallup
Development & Permitting Services
ISSUED PERMIT

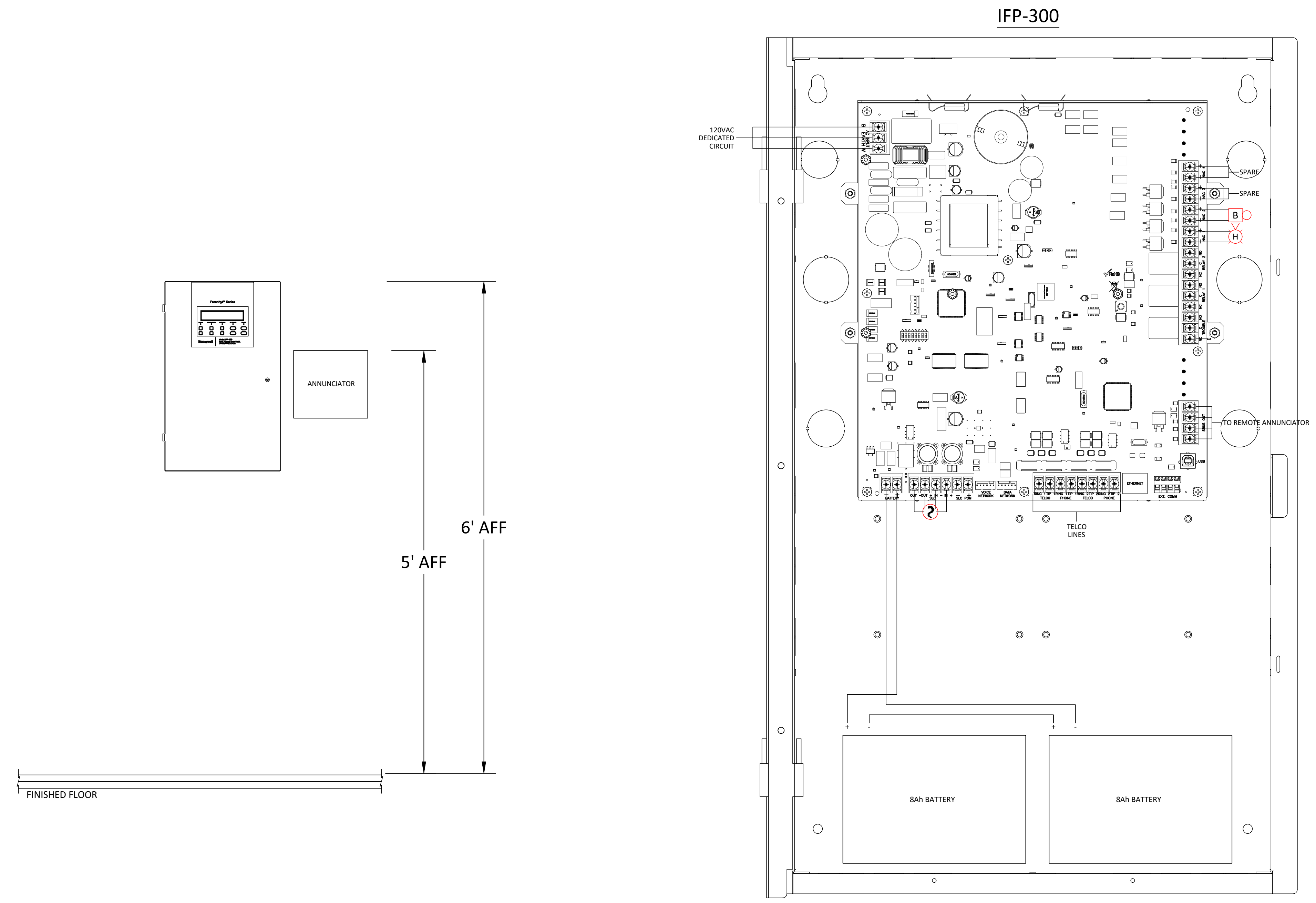
Building	Planning
Engineering	Public Works
Fire	Traffic

REVISIONS/NOTES	
REVISION	
DATE	CAD/DESIGN

JOB DETAILS	
DESIGNED BY:	B.LINDBO
DRAWN BY:	A.MURPHREE
CHECKED BY:	D.MOLMEN
CREATION DATE:	01/24/2022
DRAWING SCALE:	VARIES

JOB NAME	
STEP BY STEP GATEWAY	
PANEL DETAILS	

PAGE NUMBER	
FA-500	
05	OF 11



IFP-300 PANEL DETAILS

SUBMITTAL



EVERGREEN FIRE AND SECURITY
2111 SOUTH 90TH STREET
TACOMA, WA. 98444
253-627-3794

NICET CERTIFICATION INFO	
NICET #	114223
LEVEL	IV
SUB-FIELD	FIRE ALARMS
EXPIRATION DATE	08/01/23
NAME	BRIAN LINDBO

GENERAL NOTES

City of Puyallup
Development & Permitting Services
ISSUED PERMIT

Building	Planning
Engineering	Public Works
Fire	Traffic

REVISIONS/NOTES

REVISION	DATE	CAD/DESIGN

JOB DETAILS

DESIGNED BY:	B.LINDBO
DRAWN BY:	A.MURPHREE
CHECKED BY:	D.MOLMEN
CREATION DATE:	01/24/2022
DRAWING SCALE:	VARIES

JOB NAME

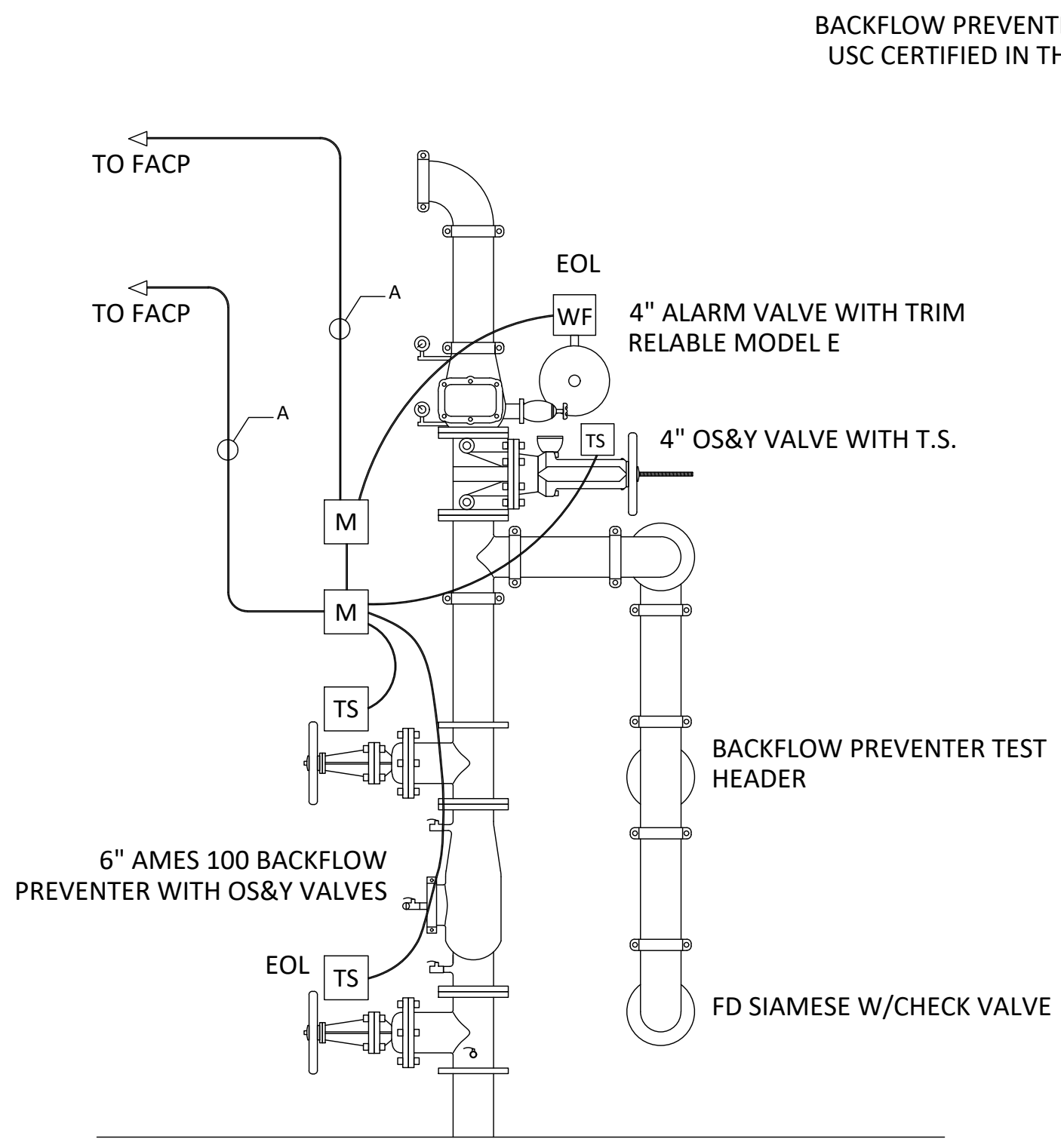
STEP BY STEP GATEWAY

CONNECTION DETAILS

PAGE NUMBER

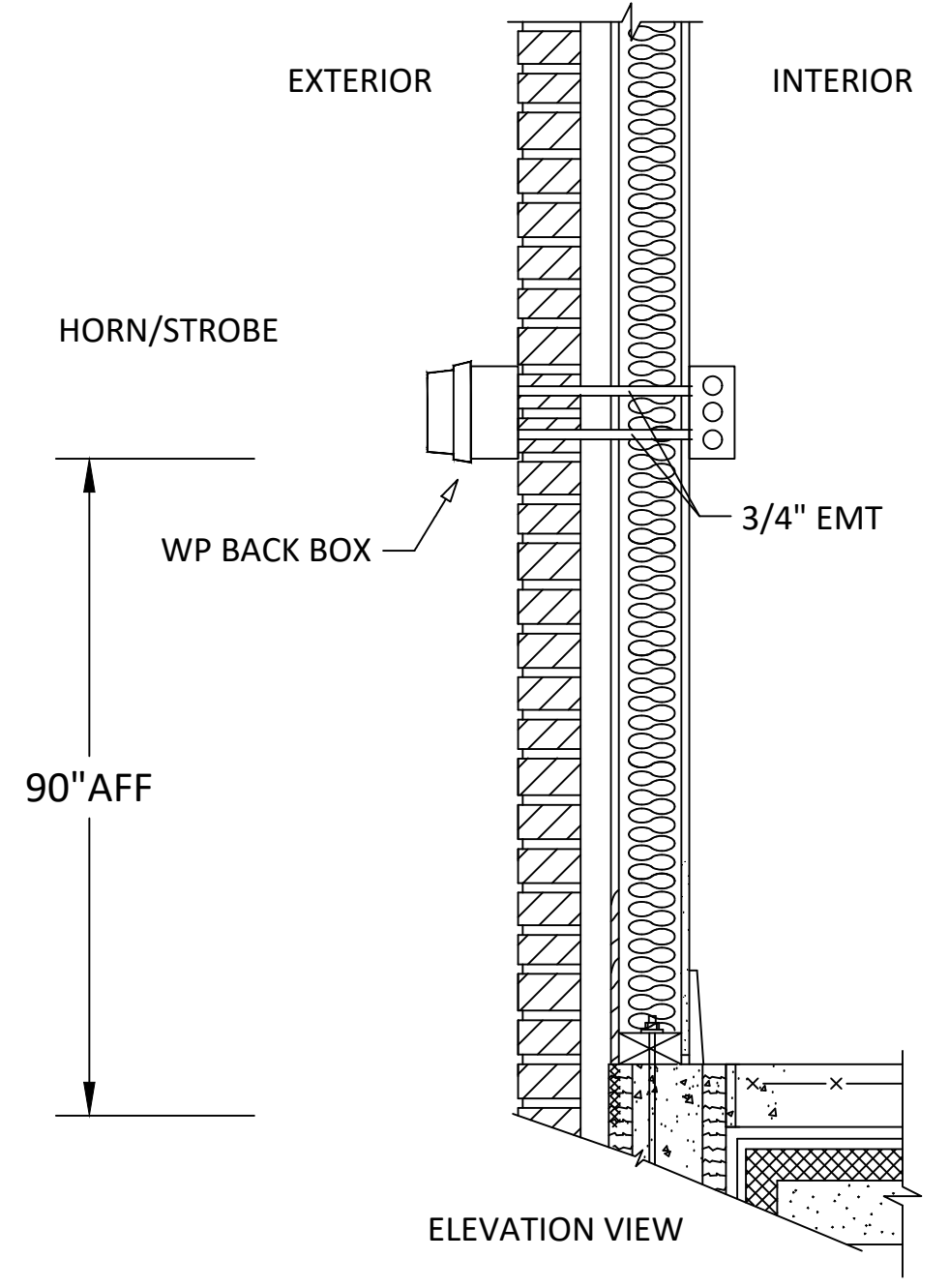
FA-501

06 OF 11

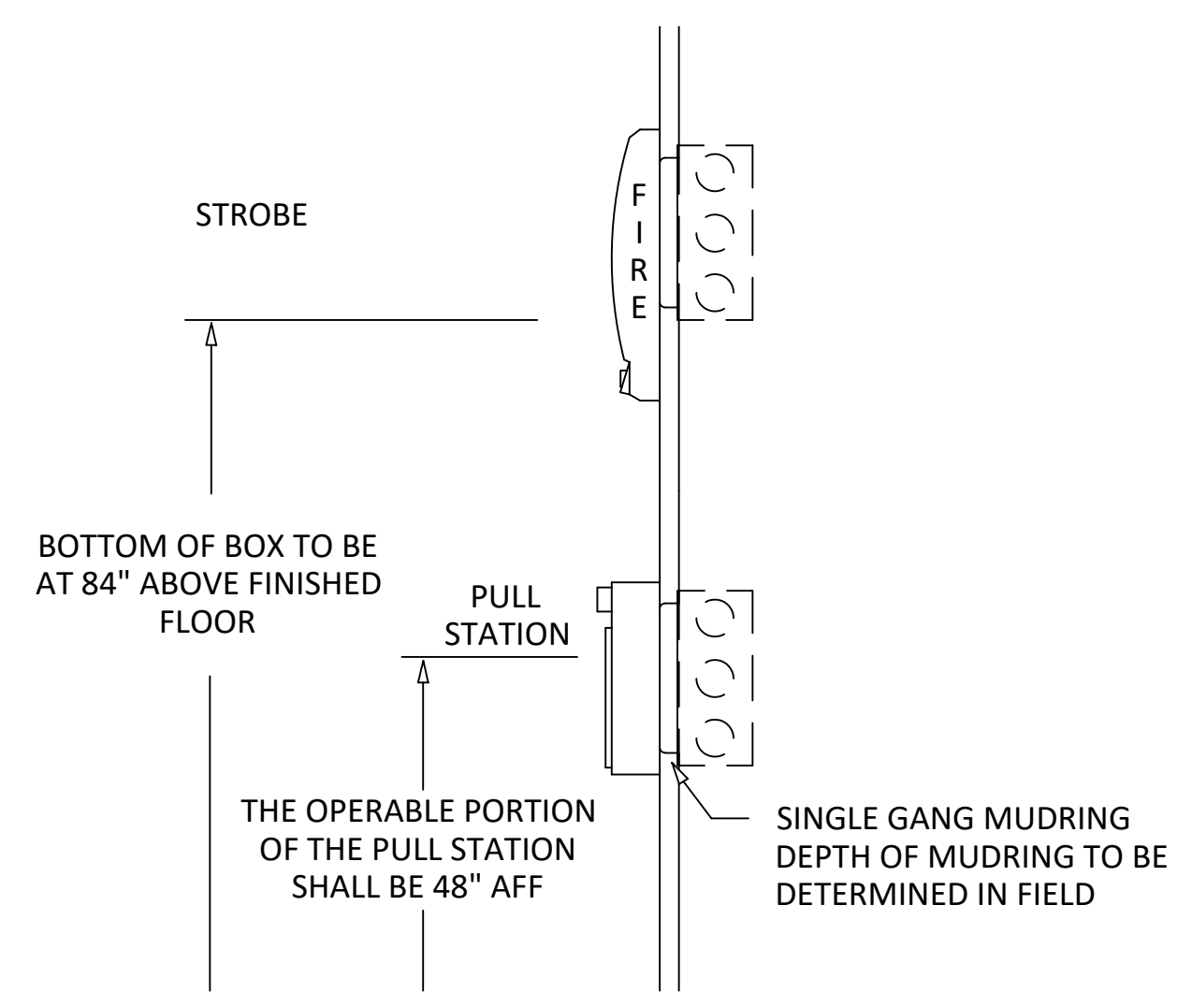


BACKFLOW PREVENTER MUST BE USC CERTIFIED IN THE VERTICAL POSITION

1 RISER DETAIL
SCALE: NTS
FA-501

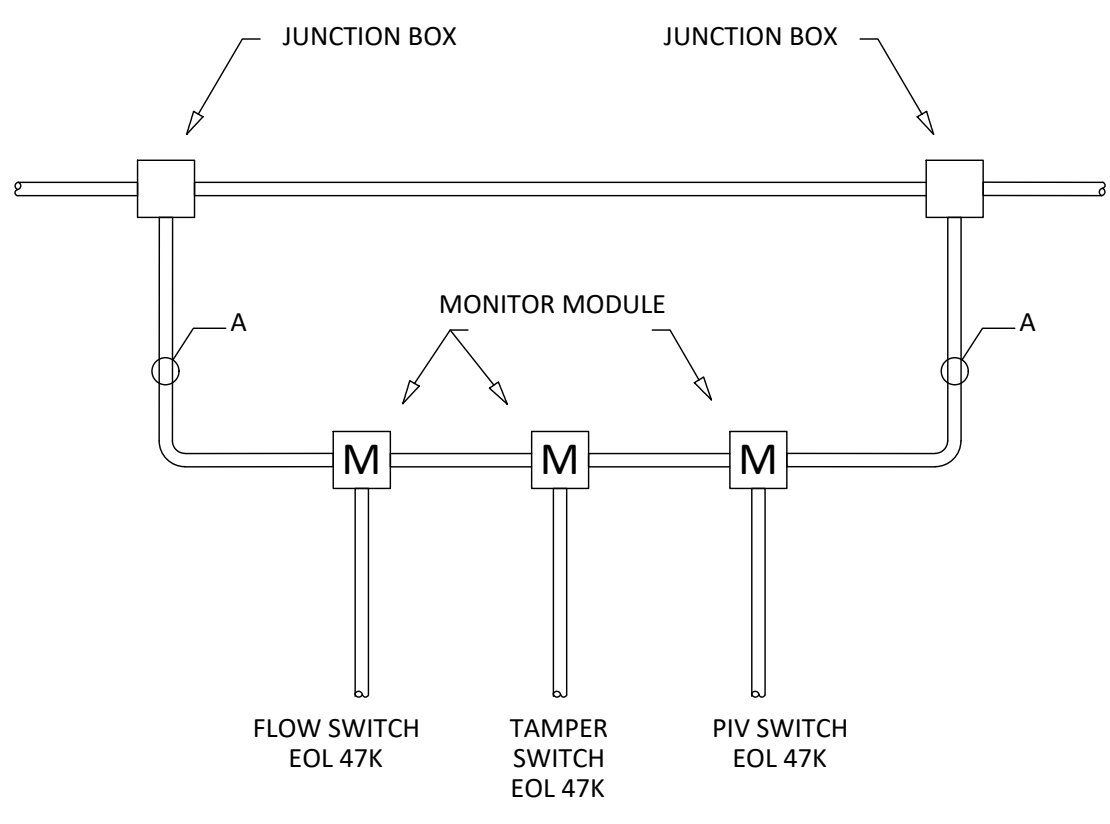


2 EXTERIOR WEATHERPROOF BOX DETAIL
SCALE: NTS
FA-501

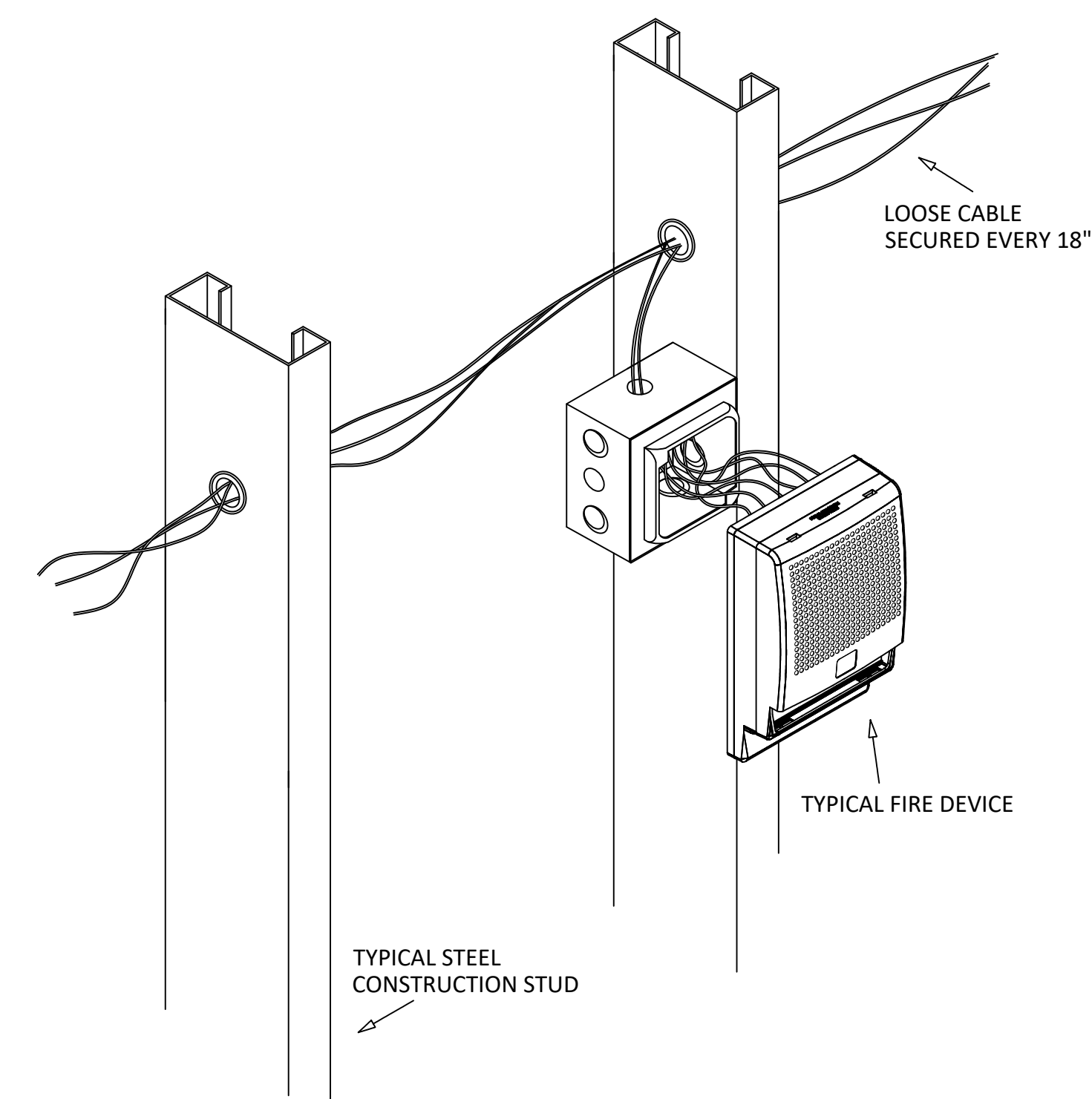


3 DEVICE MOUNTING HEIGHTS DETAIL
SCALE: NTS
FA-501

ALL WIRING TO BE RUN STRAIGHT FROM JUNCTION BOX TO JUNCTION BOX EXCEPT FOR THE ADDRESSABLE LOOP, WHICH DROPS DOWN TO CONNECT TO THE MONITOR MODULES



4 MONITOR MODULE CONNECTION DETAIL
SCALE: NTS
FA-501



5 DEVICE MOUNTING WITH LOOSE CABLE DETAIL
SCALE: NTS
FA-501

CONNECTION DETAILS

SUBMITTAL



EVERGREEN FIRE AND SECURITY
2111 SOUTH 90TH STREET
TACOMA, WA. 98444
253-627-3794

NICET CERTIFICATION INFO	
NICET #	114223
LEVEL	IV
SUB-FIELD	FIRE ALARMS
EXPIRATION DATE	08/01/23
NAME	BRIAN LINDBO

GENERAL NOTES

City of Puyallup
Development & Permitting Services
ISSUED PERMIT

Building	Planning
Engineering	Public Works
Fire	Traffic

REVISIONS/NOTES

REVISION	DATE	CAD/DESIGN

JOB DETAILS

DESIGNED BY:	B.LINDBO
DRAWN BY:	A.MURPHREE
CHECKED BY:	D.MOLMEN
CREATION DATE:	01/24/2022
DRAWING SCALE:	VARIES

JOB NAME

STEP BY STEP GATEWAY

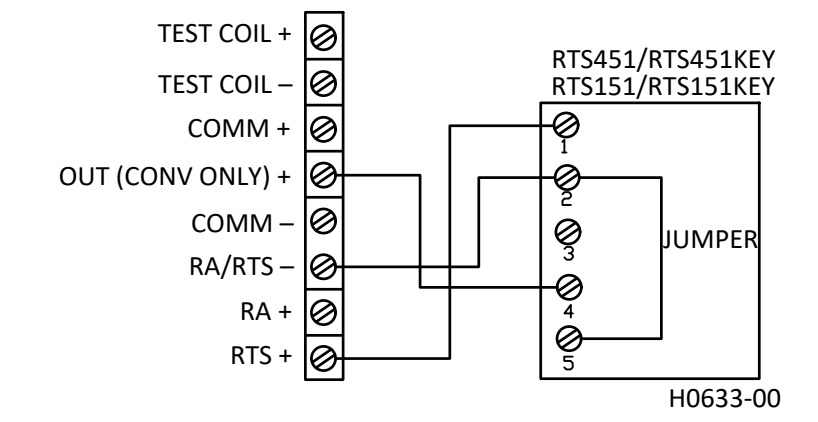
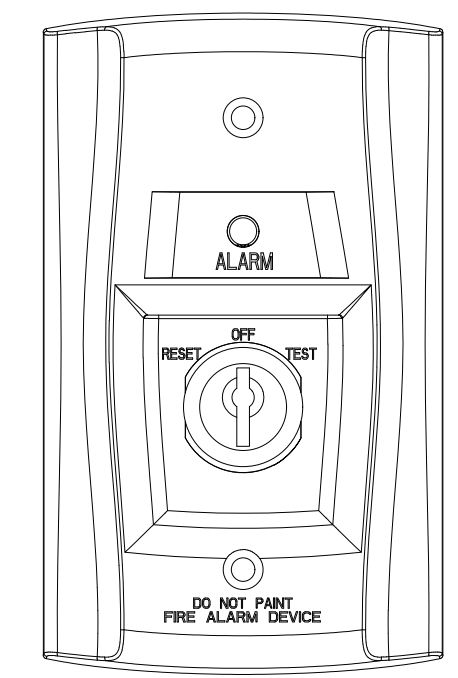
DEVICE DETAILS

PAGE NUMBER

FA-502

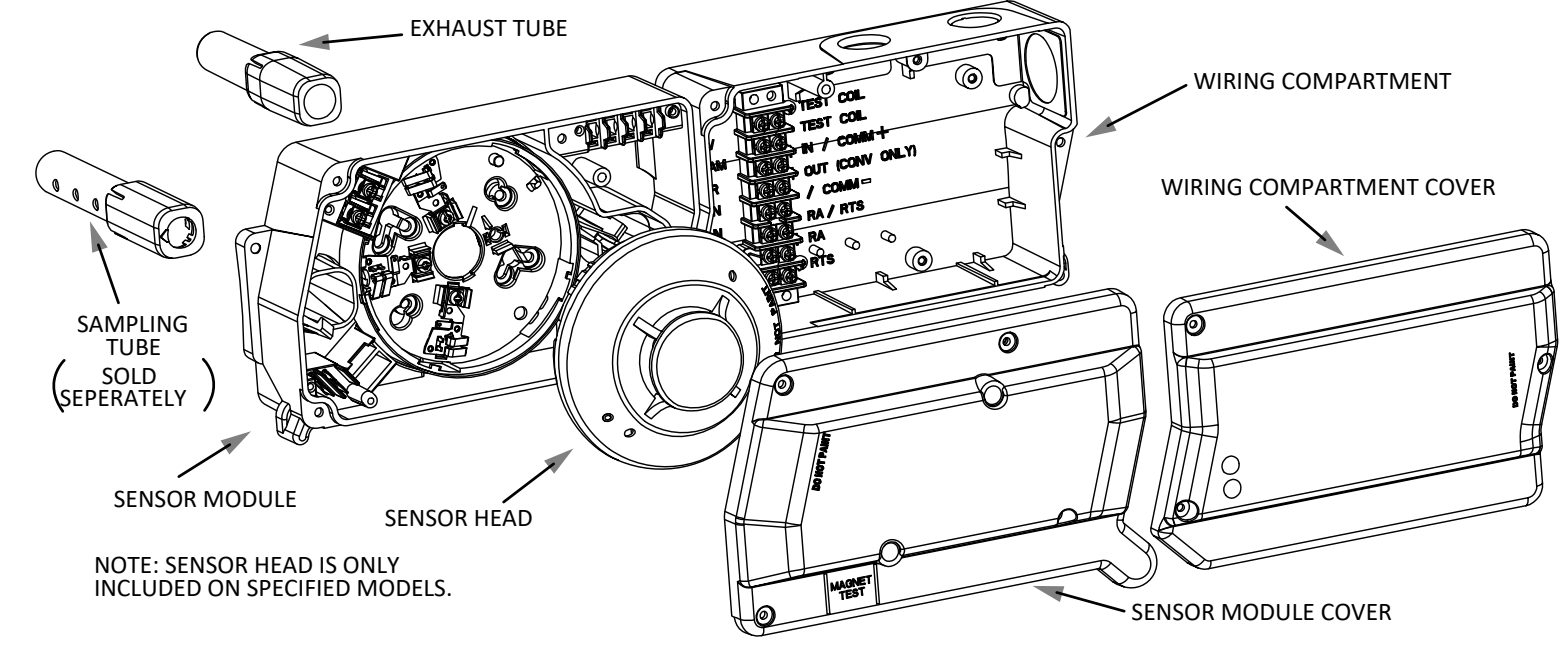
07 OF 11

SILENT KNIGHT MODEL NO: RTS151KEY

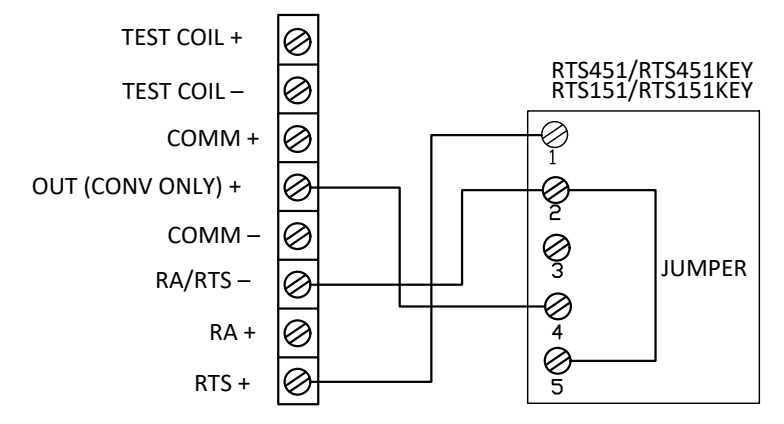


3 REMOTE TEST SWITCH DETAIL
SCALE: NTS

SILENT KNIGHT MODEL NO.: DNR
IDP-PHOTO-R-W

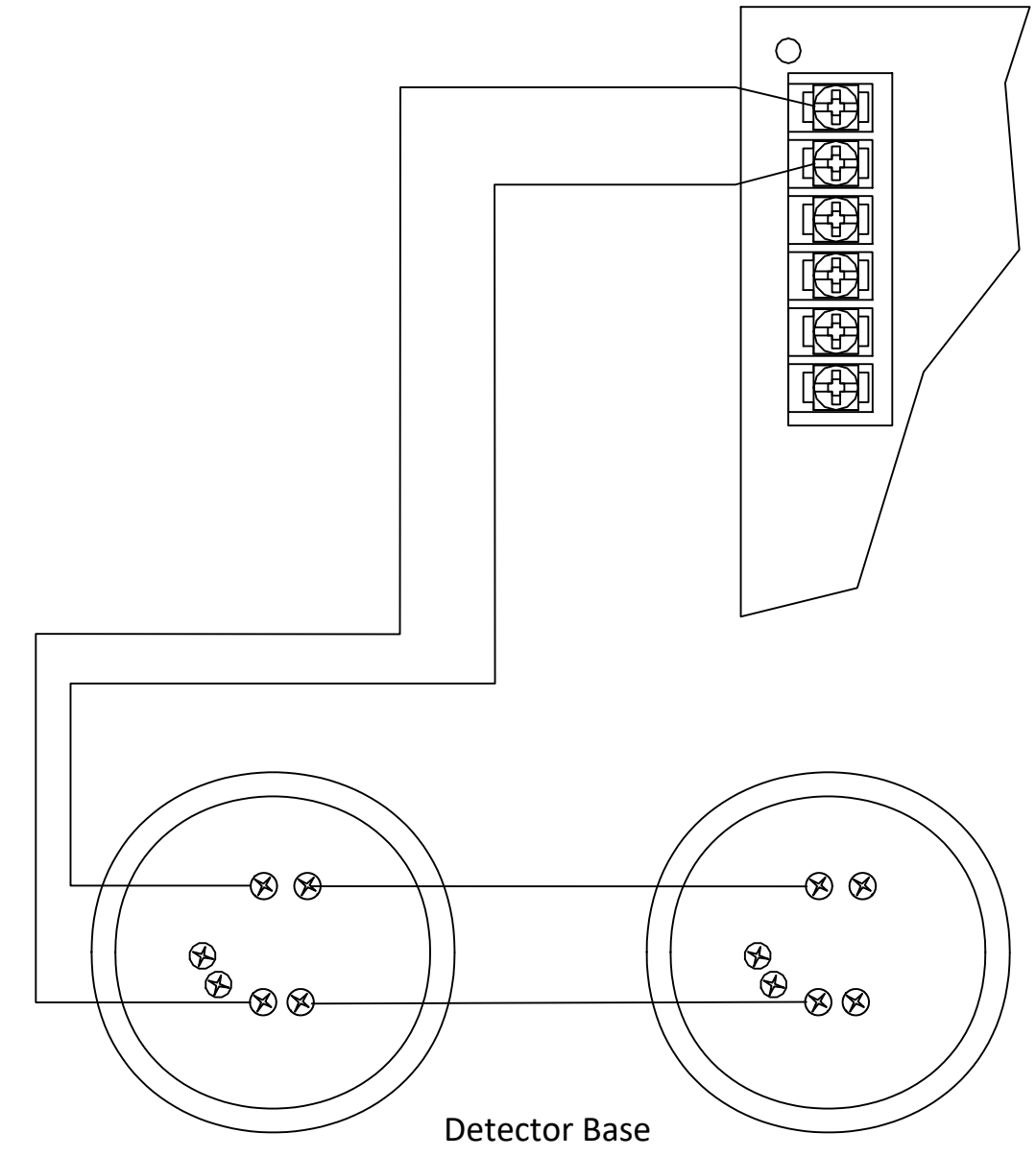


NOTE: SENSOR HEAD IS ONLY INCLUDED ON SPECIFIED MODELS.



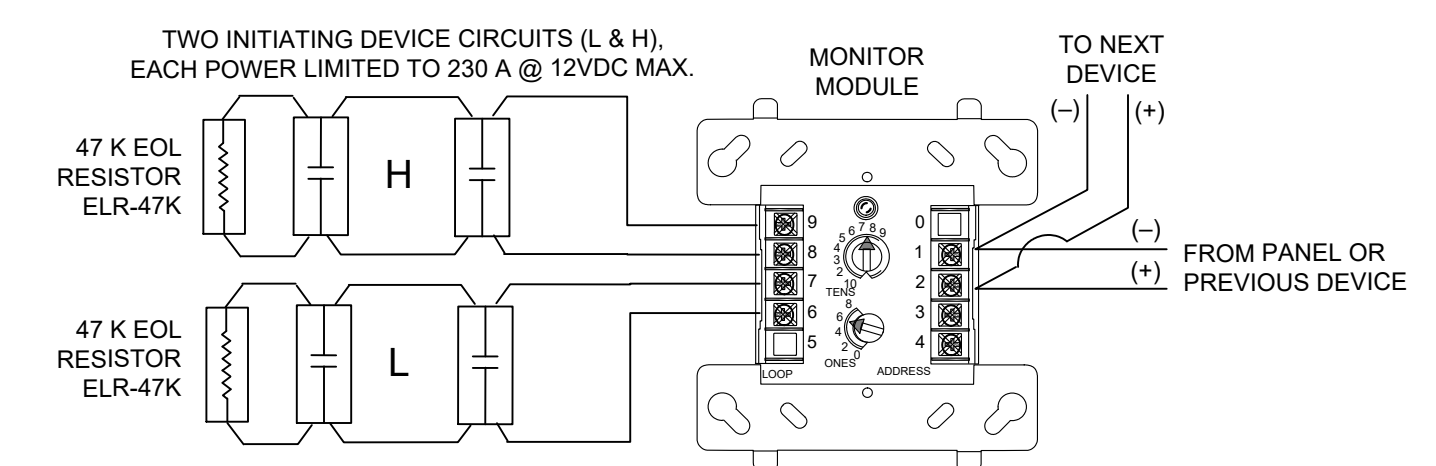
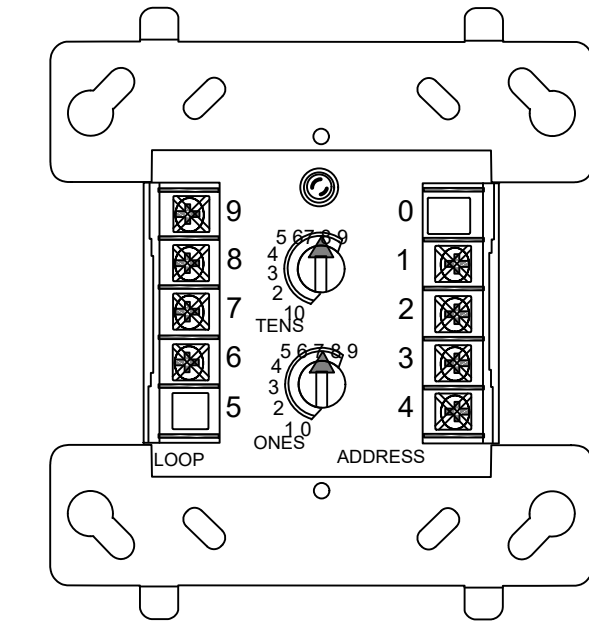
2 DUCT SMOKE DETECTOR
SCALE: NTS

SILENT KNIGHT MODEL NO: IDP-PHOTO-W
IDP-HEAT-W
B300-6



1 SMOKE AND HEAT DETECTOR DETAIL
SCALE: NTS

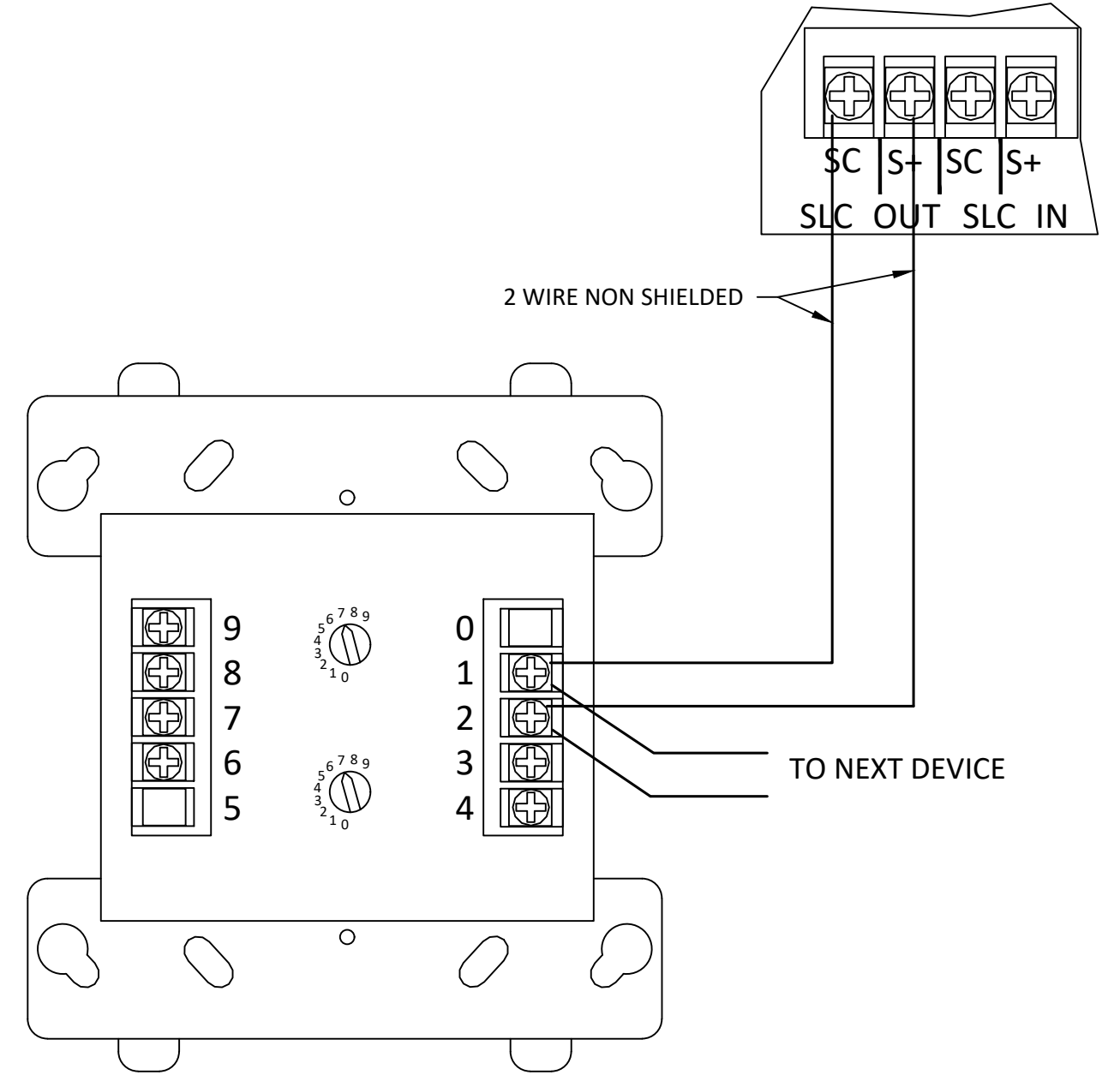
SILENT KNIGHT MODEL NO.: IDP-MONITOR 2



ANY NUMBER OF UL LISTED CONTACT CLOSURE DEVICES MAY BE USED. DO NOT MIX FIRE ALARM INITIATING, SUPERVISORY, OR SECURITY DEVICES ON THE SAME INITIATING DEVICE CIRCUIT.
INSTALL CONTACT CLOSURE DEVICES PER MANUFACTURER'S INSTALLATION INSTRUCTIONS.

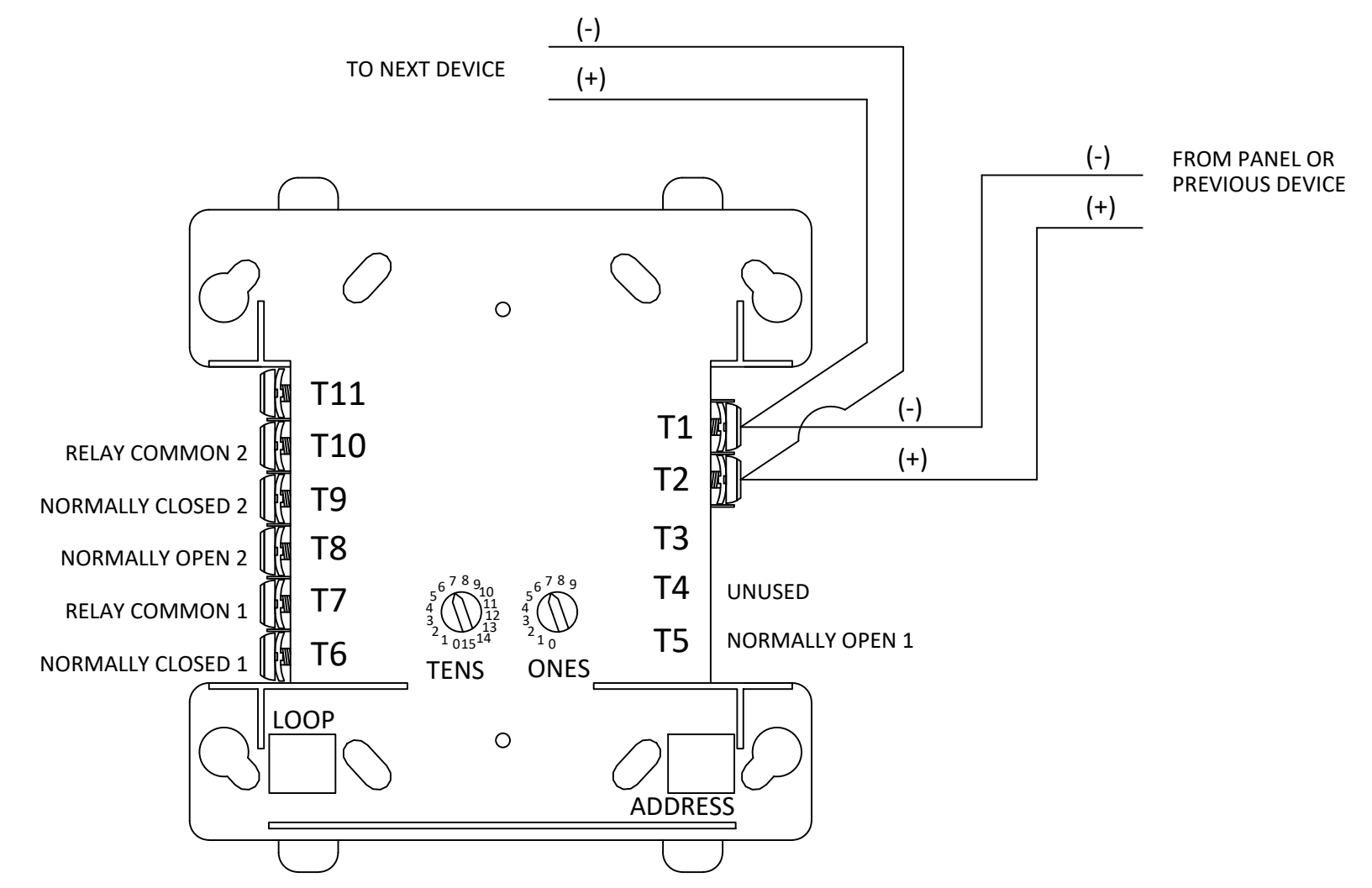
6 DUAL MONITOR MODULE
SCALE: NTS

SILENT KNIGHT MODEL NO: IDP-MONITOR



5 SINGLE INPUT MOINOR MODULE
SCALE: NTS

SILENT KNIGHT MODEL NO. :IDP-RELAY



4 RELAY CONTROL MODULE
SCALE: NTS

DEVICE DETAILS

SUBMITTAL



EVERGREEN FIRE AND SECURITY
2111 SOUTH 90TH STREET
TACOMA, WA. 98444
253-627-3794

NICET CERTIFICATION INFO	
NICET #	114223
LEVEL	IV
SUB-FIELD	FIRE ALARMS
EXPIRATION DATE	08/01/23
NAME	BRIAN LINDBO

GENERAL NOTES

**City of Puyallup
Development & Permitting Services
ISSUED PERMIT**

Building	Planning
Engineering	Public Works
Fire	Traffic

REVISIONS/NOTES

REVISION	DATE	CAD/DESIGN

JOB DETAILS

DESIGNED BY: B.LINDBO
DRAWN BY: A.MURPHREE
CHECKED BY: D.MOLMEN
CREATION DATE: 01/24/2022
DRAWING SCALE: VARIES

JOB NAME

STEP BY STEP GATEWAY

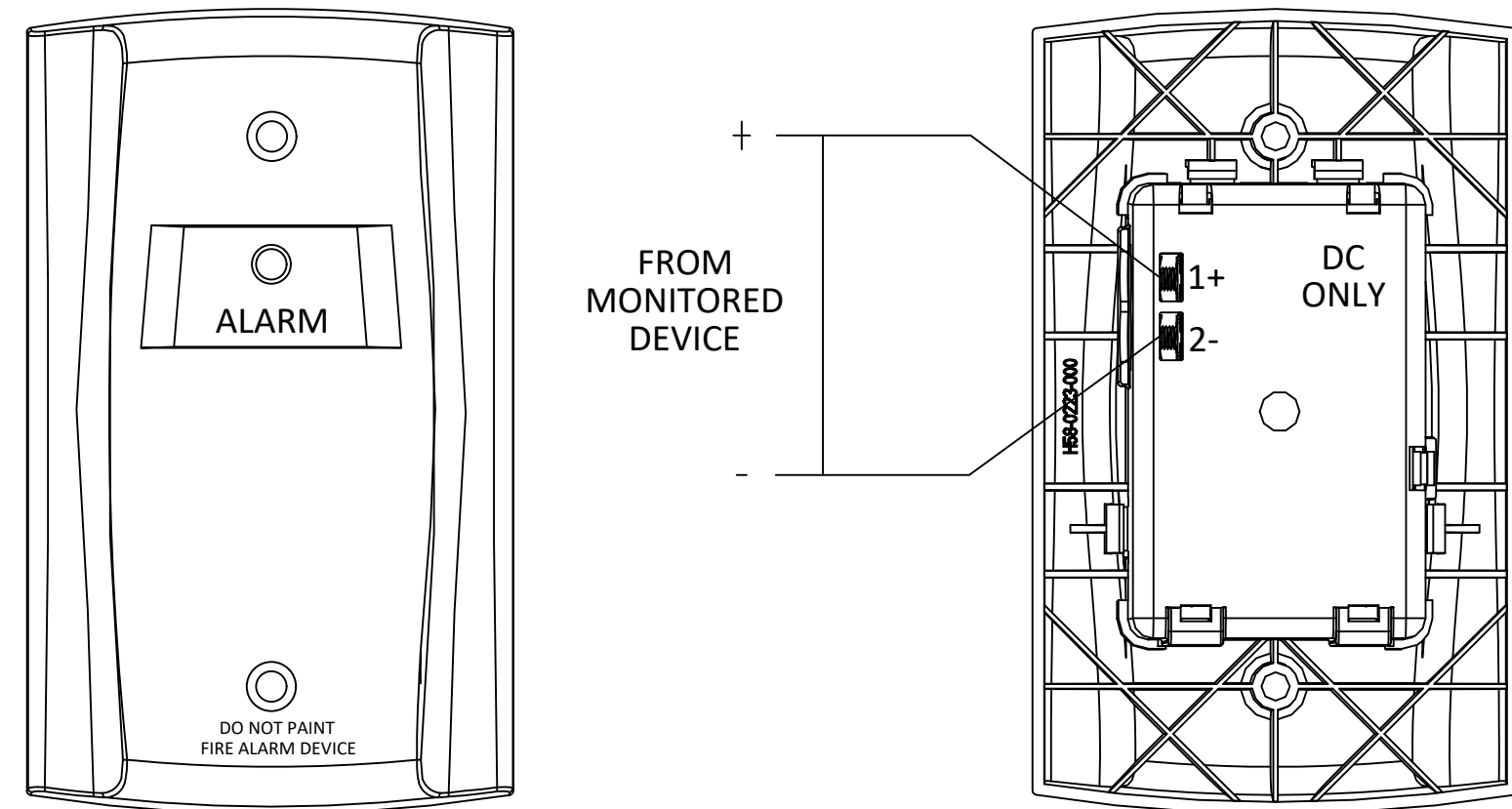
DEVICE DETAILS (CONT.)

PAGE NUMBER

FA-503

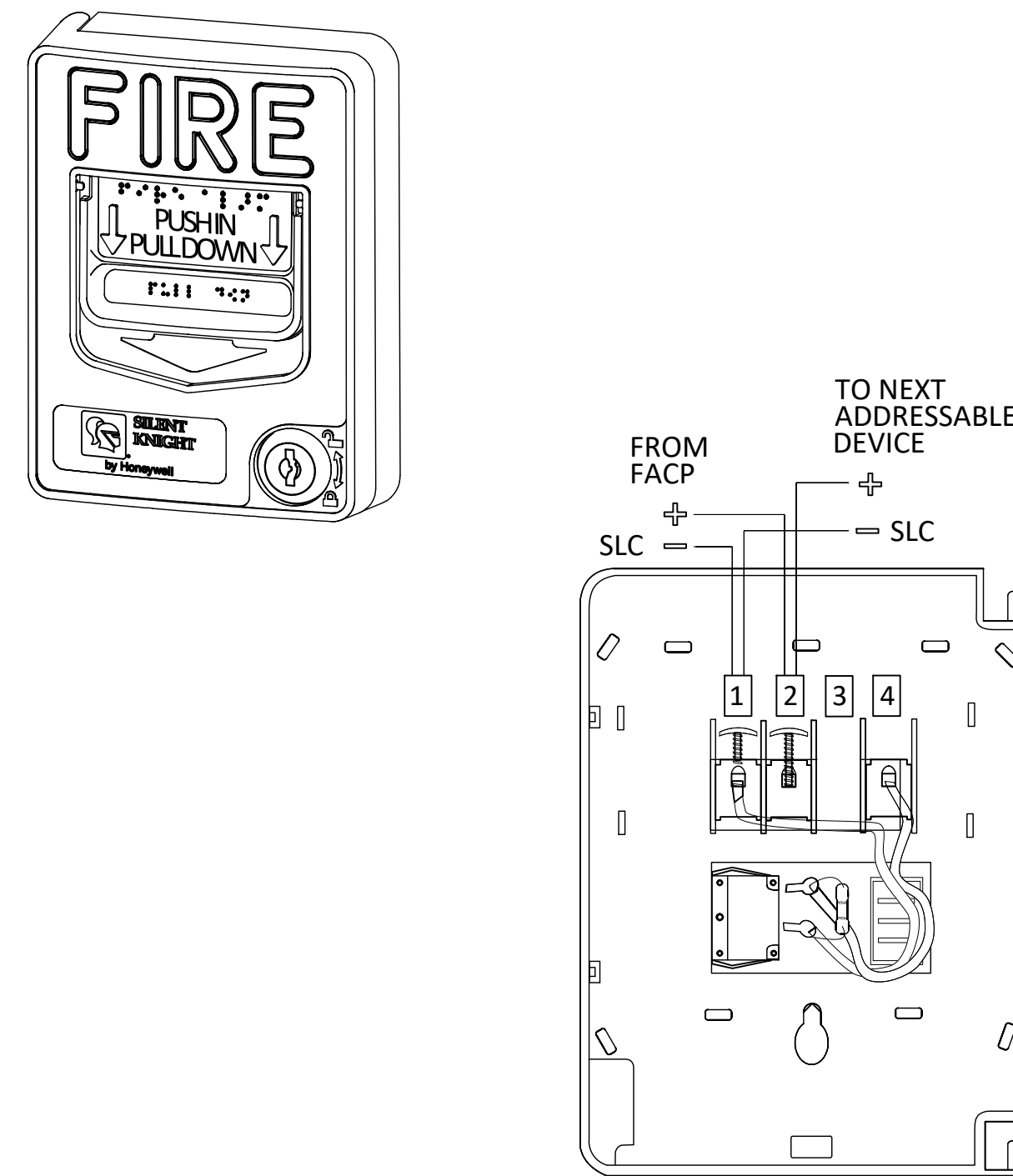
08 OF 11

SYSTEM SENSOR MODEL NO: RA100Z



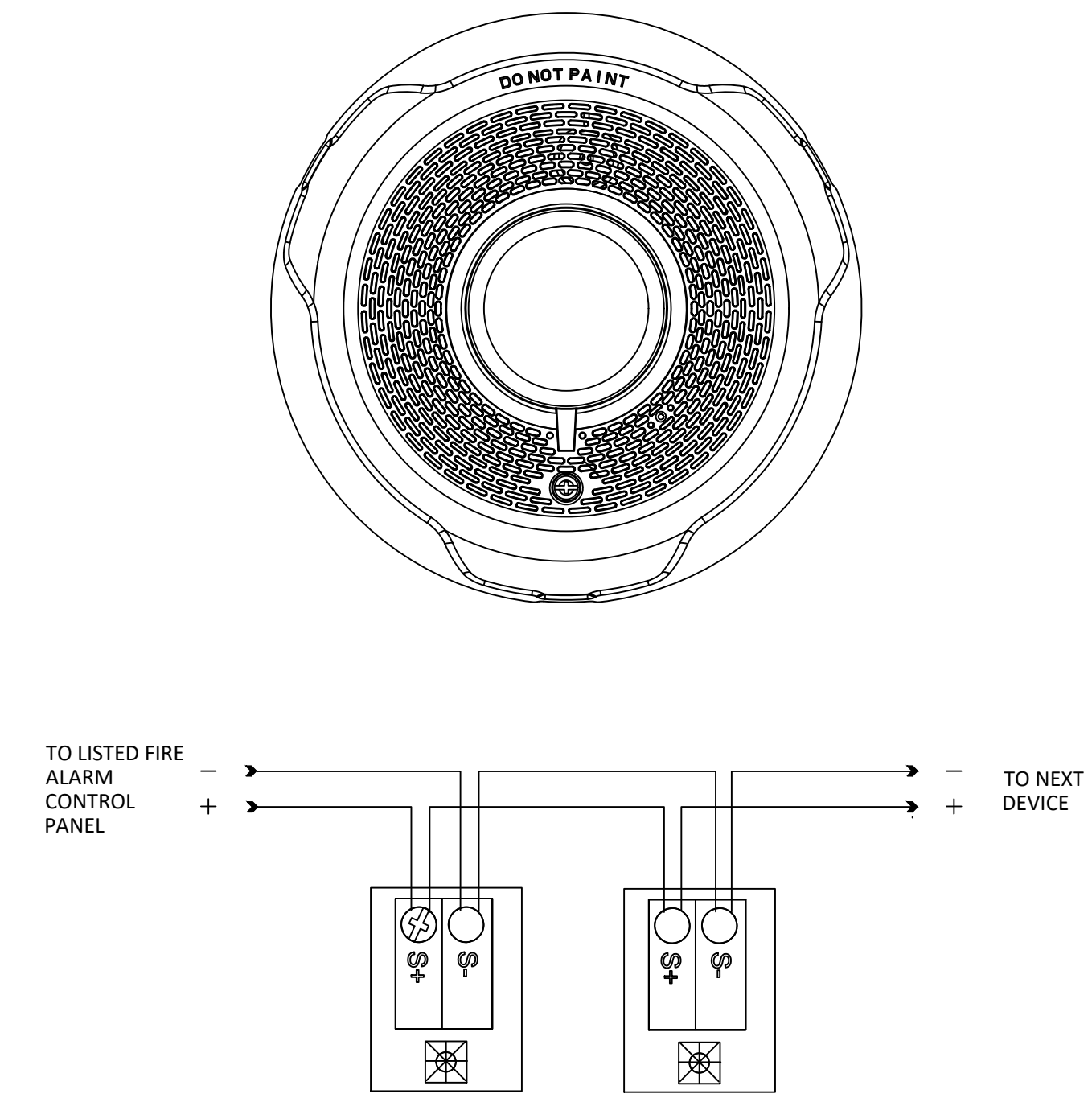
1 REMOTE LED
FA-503 SCALE: NTS

SILENT KNIGHT MODEL NO: IDP-PULL-DA



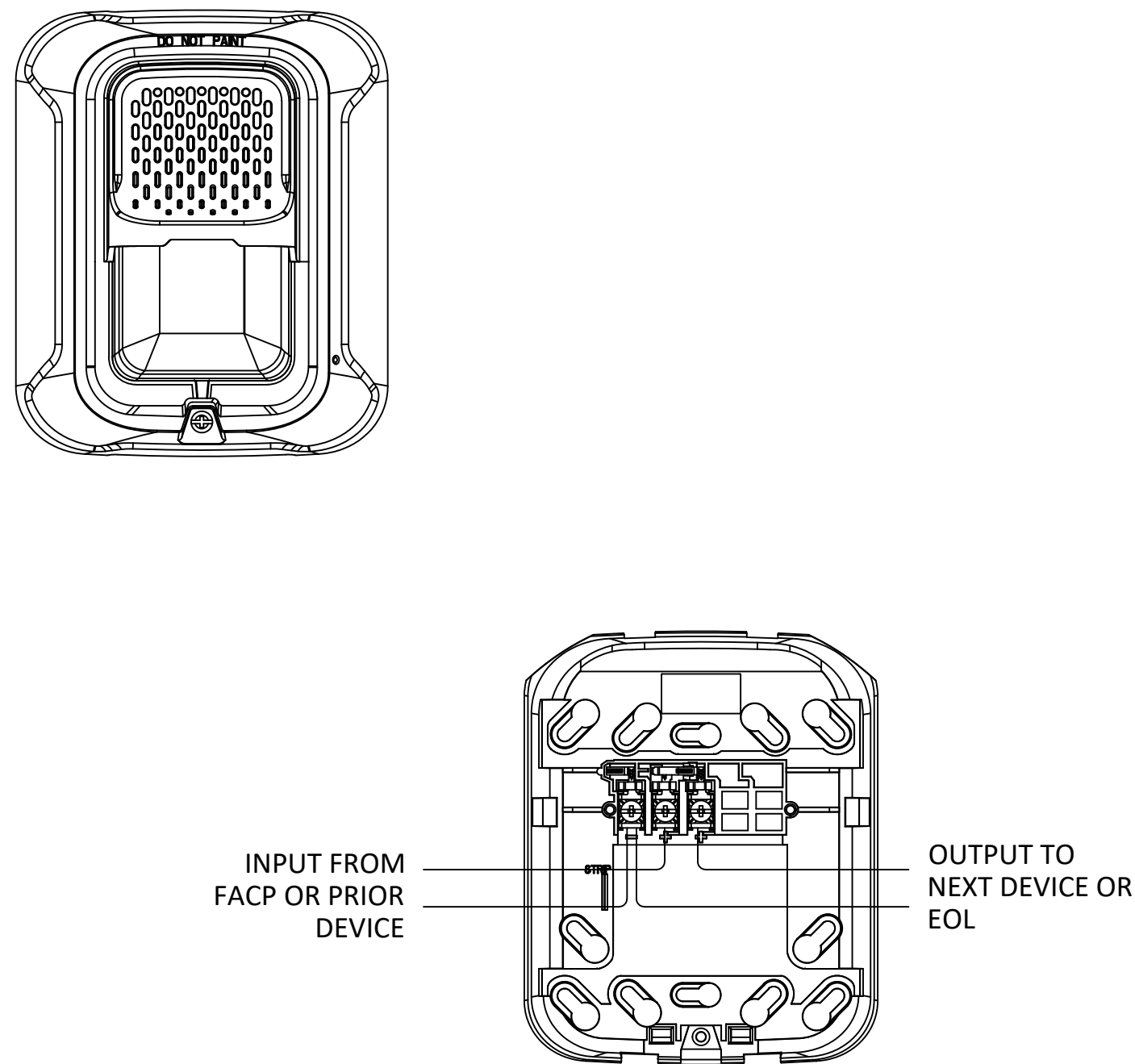
2 PULL STATION, DUAL ACTION
FA-503 SCALE: NTS

SYSTEM SENSOR MODEL NO: .PC2WL



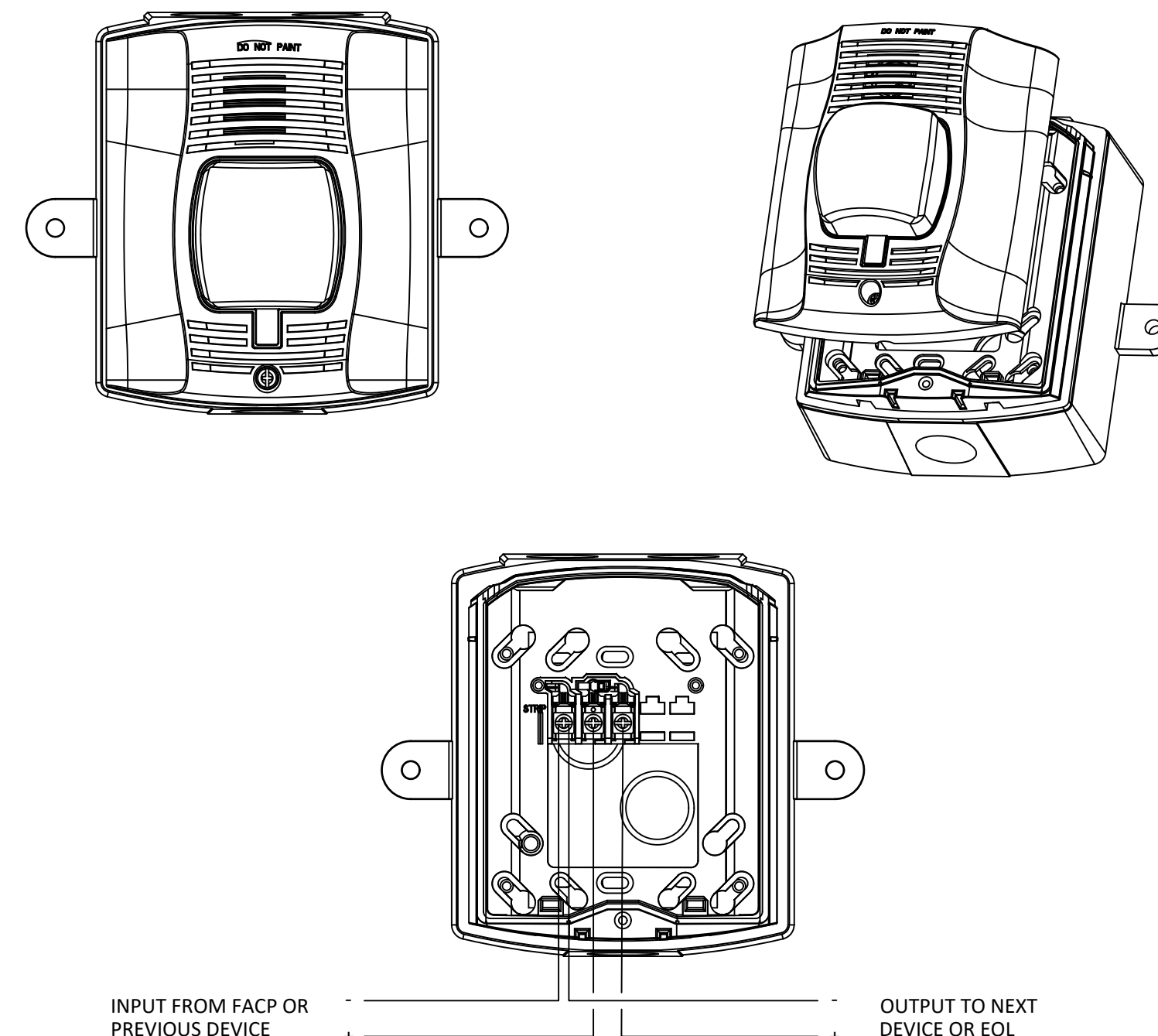
3 CEILING HORN / STROBE DETAIL
FA-503 SCALE: NTS

SYSTEM SENSOR MODEL NO: SWL



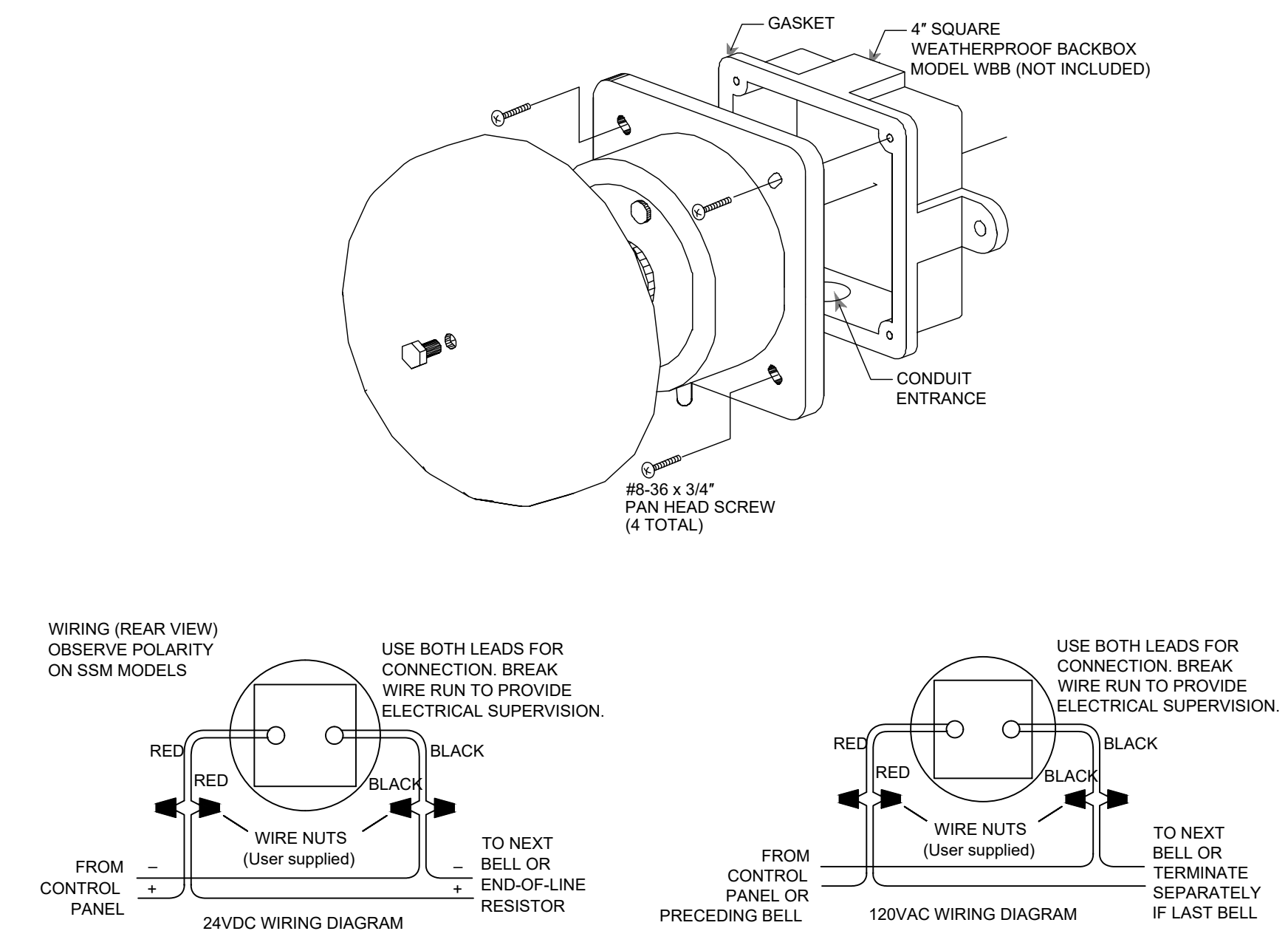
4 STROBE
FA-503 SCALE: NTS

SYSTEM SENSOR MODEL NO: P2RK



5 WEATHERPROOF HORN/STROBE
FA-503 SCALE: NTS

SYSTEM SENSOR MODEL NO: SSM-24-10



6 WEATHERPROOF SPRINKLER BELL
FA-503 SCALE: NTS



NICET CERTIFICATION INFO	
NICET #	114223
LEVEL	IV
SUB-FIELD	FIRE ALARMS
EXPIRATION DATE	08/01/23
NAME	BRIAN LINDBO

GENERAL NOTES

City of Puyallup
Development & Permitting Services
ISSUED PERMIT

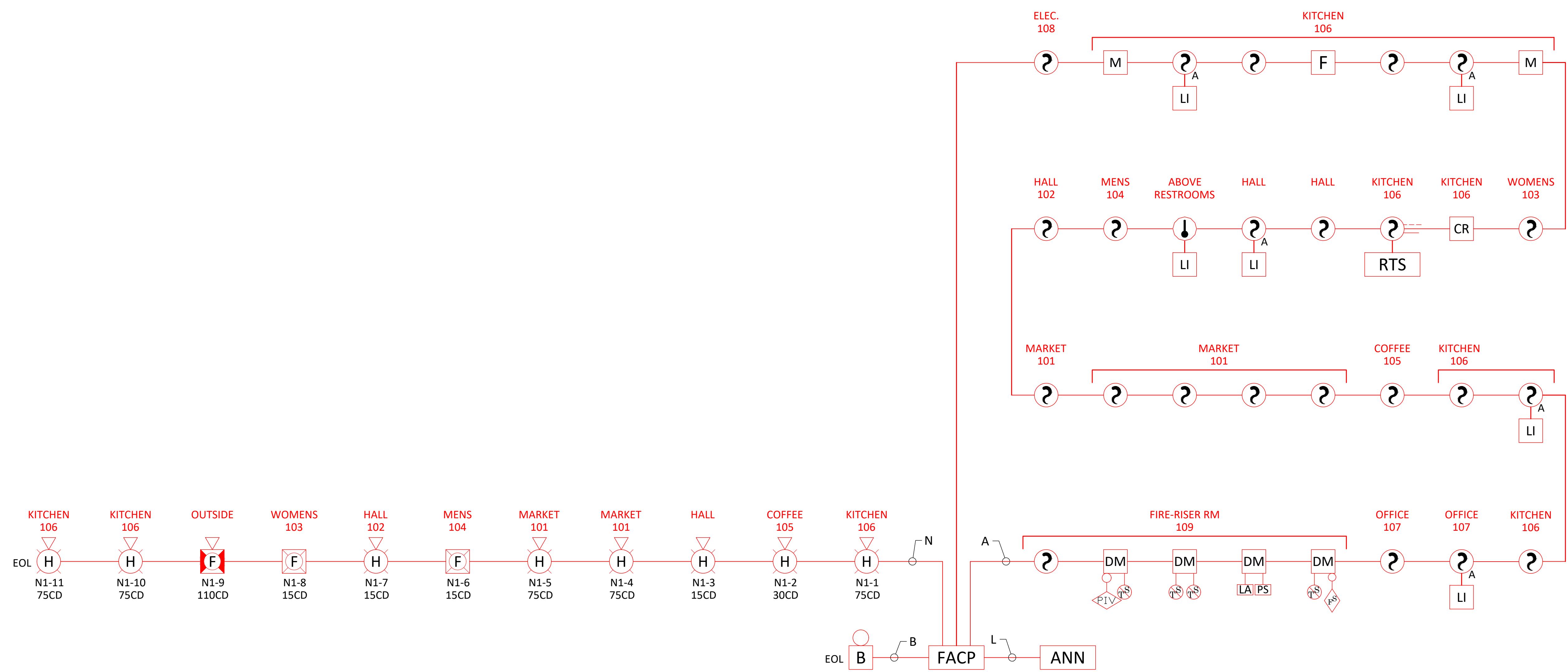
Building	Planning
Engineering	Public Works
Fire	Traffic

REVISIONS/NOTES	
REVISION	
DATE	CAD/DESIGN

JOB DETAILS	
DESIGNED BY:	B.LINDBO
DRAWN BY:	A.MURPHREE
CHECKED BY:	D.MOLMEN
CREATION DATE:	01/24/2022
DRAWING SCALE:	VARIES


JOB NAME	
STEP BY STEP GATEWAY	
RISER DIAGRAM	

PAGE NUMBER	
FA-600	
09	OF 11



RISER DIAGRAM

SUBMITTAL



Farenhyt™ Series

IFP-300 Calculations-IDP
Version 04.16.18

Global Project Values:

Project Name: Standby Hours:

Project ID: Alarm Mins:

Prepared By: Derating Factor:


Date: Voltage Drop Warning Threshold %:

Panel ID: Model: IFP-300 Fire Alarm Control Panel Max NAC Current: 3.0 Amps

Location: Volts: 24 VDC Max Panel Current: 6.0 Amps

Part.#	Description	Qty	Current Standby	Draw Alarm	Wire AWG & Type	Ohms Per 1000 Ft.	Length(ft) One-Way	Actual Ohms	Volts @ EOL	%Drop	
IFP-300	Fire Alarm Control Unit	1	0.190	0.250							
IDP-Photo, Photo-T,PhotoR	Smoke detector		0.0000	0.0000							
IDP-Fire-CO	Fire-CO detector		0.0000	0.0000							
IDP-Heat, Heat-HT, ROR	Heat detector		0.0000	0.0000							
IDP-Beam, Beam-T	Beam detector		0.0000	0.0000							
DNR	Duct housing	1	0.0000	0.0000							
IDP Acclimate	IDP Acclimate		0.0000	0.0000							
IDP-Photo W	Photo W	22	0.0044	0.0990							
IDP-Photo-R-W	Photo-R-W	1	0.0002	0.0045							
IDP-Photo-T-W	Photo-T-W		0.0000	0.0000							
IDP-Heat-W	Heat-W	1	0.0002	0.0045							
IDP-Heat-ROR-W	Heat-ROR-W		0.0000	0.0000							
IDP-Heat-HT-W	Heat-HT-W		0.0000	0.0000							
IDP-Control	Control		0.0000	0.0000							
IDP-Control-6	Control-6		0.0000	0.0000							
IDP-Monitor, Minimon	Monitor, Minimon	2	0.0008	0.0008							
IDP-Monitor-2	Monitor-2	4	0.0030	0.0030							
IDP-Monitor-10	Monitor-10		0.0000	0.0000							
IDP-Pull-SA, Pull-DA	Pull-SA, Pull-DA	1	0.0004	0.0004							
IDP-Relay	Relay	1	0.0003	0.0003							
IDP-Relay-6	Relay-6		0.0000	0.0000							
IDP-RelayMon-2	RelayMon-2		0.0000	0.0000							
IDP-Zone	Zone		0.0000	0.0000							
IDP-Zone-6	Zone-6		0.0000	0.0000							
IDP-Iso (Isolator Module)	Iso (Isolator Module)		0.0000	0.0000							
IDP-ISO-6	ISO-6		0.0000	0.0000							
B224BI	Isolator Base		0.0000	0.0000							
B200S	Sounder Base		0.0000	0.0000							
B200SR	Sounder Base		0.0000	0.0000							
B200S-LF	Sounder Base LF		0.0000	0.0000							
B200SR-LF	Sounder Base LF		0.0000	0.0000							
B224RB	Relay Base		0.0000	0.0000							
RTS151	Magnetic Remote Test		0.0000	0.0000							
RTS151KEY	Key Activated Test	1	0.0000	0.0075							
RA100Z	Remote LED	6	0.0000	0.0600							
6815	SLC Expander		0.0000	0.0000							
RA-2000	LCD Remote Annunc		0.0000	0.0000							
RA-1000	LCD Remote Annunc	1	0.0200	0.0250							
RA-100	LCD Remote Annunc		0.0000	0.0000							
5824	Serial/Parallel Module		0.0000	0.0000							
5496	Power Expander		0.0000	0.0000							
RPS-1000	Power Expander		0.0000	0.0000							
5865-4	LED Annunciator (4G)		0.0000	0.0000							
5865-3	LED Annunciator (3G)		0.0000	0.0000							
5880	LED Driver Module		0.0000	0.0000							
5883	Relay Module		0.0000	0.0000							
CELL-MOD	Communicator		0.0000	0.0000							
SK-NIC	Network Interface Card		0.0000	0.0000							
SK-FML	Fiber Module		0.0000	0.0000							
SK-FSL	Fiber Module		0.0000	0.0000							
WIDP-WG1	Wireless Gateway		0.0000	0.0000							
ECS-NVCM	Voice control		0.0000	0.0000							
ECS-SW24	Zone Expander		0.0000	0.0000							
ECS-RPU	Remote Paging Unit		0.0000	0.0000							
ECS-LOC	Local Operating Console		0.0000	0.0000							
ECS-INT50W	50 Watt Internal Amp 25 volts		0.0000	0.0000							
ECS-INT50W	50 Watt Internal Amp 70 volts		0.0000	0.0000							
ECS-50W	50 Watt Amplifier		0.0000	0.0000							
ECS-125W	125 Watt Amplifier		0.0000	0.0000							
ECS-DUAL50W	50/100 Watt Amp		0.0000	0.0000							
ECS-50WBU	50 Watt Backup Amplifier		0.0000	0.0000							
NAC #1	Notification Appl Circuit	cfq.	0.000	1.531	#12 Solid	1.59	450	1.43	18.21	10.74%	
NAC #2	Notification Appl Circuit	cfq.	0.000	0.202	#12 Solid	1.59	10	0.03	20.39	0.03%	
NAC #3	Notification Appl Circuit	cfq.	0.000	0.000	#12 Solid	1.59		0.00	20.40	0.00%	
NAC #4	Notification Appl Circuit	cfq.	0.000	0.000	#12 Solid	1.59		0.00	20.40	0.00%	
Total Standby Current (Amps)			0.219	2.188	Total Alarm Current (Amps)						
Standby Time In Hours			24	0.083	Alarm Time In Minutes / 60 (5 Mins)						
Total Standby AH Required			5.260	0.182	Total Alarm AH Required						
Total Combined AH Required			5.44								
Multiply By The Derating Factor			1.20								
Minimum Battery AmpHours Required			6.53								

Configure Circuits
Print Page



Farenhyt™ Series

Circuit Configuration

[Print Circuits Detail](#)

Project Information

Project Name: Project ID:

Prepared By: Date:

Ckt. Number: NAC #1 Panel ID: IFP-300 IDP Devices

Ckt. Name: Notification Appl Circuit Use: Notification Appl Circuit

Qty	Device	Current Draw Standby	Current Draw Alarm	Current Draw Total Standby	Current Draw Total Alarm
2	System Sensor S/SC Strobe (15cd)	0.000	0.066	0.000	0.132
2	System Sensor P2/PC2 Horn/Strobe (15cd)	0.000	0.091	0.000	0.182
1	System Sensor P2/PC2 Horn/Strobe (30cd)	0.000	0.116	0.000	0.116
5	System Sensor P2/PC2 Horn/Strobe (75cd)	0.000	0.176	0.000	0.880
1	System Sensor P2/PC2 Horn/Strobe (110cd)	0.000	0.221	0.000	0.221
	Unused	0.000	0.000	0.000	0.000
	Unused	0.000	0.000	0.000	0.000
		Totals		0.000	1.531

< Return To Main Edit Device Database

Ckt. Number: NAC #2 Panel ID: IFP-300 IDP Devices

Ckt. Name: Notification Appl Circuit Use: Notification Appl Circuit

Qty	Device	Current Draw Standby	Current Draw Alarm	Current Draw Total Standby	Current Draw Total Alarm
1	System Sensor Water Flow Bell	0.000	0.202	0.000	0.202
	Unused	0.000	0.000	0.000	0.000
	Unused	0.000	0.000	0.000	0.000
	Unused	0.000	0.000	0.000	0.000
	Unused	0.000	0.000	0.000	0.000
	Unused	0.000	0.000	0.000	0.000
	Unused	0.000	0.000	0.000	0.000
	Unused	0.000	0.000	0.000	0.000
	Unused	0.000	0.000	0.000	0.000
	Unused	0.000	0.000	0.000	0.000
		Totals		0.000	0.202

< Return To Main Edit Device Database

Ckt. Number: NAC #3 Panel ID: IFP-300 IDP Devices

Ckt. Name: Notification Appl Circuit Use: Notification Appl Circuit

Qty	Device	Current Draw Standby	Current Draw Alarm	Current Draw Total Standby	Current Draw Total Alarm
	Unused	0.000	0.000	0.000	0.000
	Unused	0.000	0.000	0.000	0.000
	Unused	0.000	0.000	0.000	0.000
	Unused	0.000	0.000	0.000	0.000
	Unused	0.000	0.000	0.000	0.000
	Unused	0.000	0.000	0.000	0.000
	Unused	0.000	0.000	0.000	0.000
	Unused	0.000	0.000	0.000	0.000
	Unused	0.000	0.000	0.000	0.000
	Unused	0.000	0.000	0.000	0.000
		Totals		0.000	0.000

< Return To Main Edit Device Database

Ckt. Number: NAC #4 Panel ID: IFP-300 IDP Devices

Ckt. Name: Notification Appl Circuit Use: Notification Appl Circuit

Qty	Device	Current Draw Standby	Current Draw Alarm	Current Draw Total Standby	Current Draw Total Alarm
	Unused	0.000	0.000	0.000	0.000
	Unused	0.000	0.000	0.000	0.000
	Unused	0.000	0.000	0.000	0.000
	Unused	0.000	0.000	0.000	0.000
	Unused	0.000	0.000	0.000	0.000
	Unused	0.000	0.000	0.000	0.000
	Unused	0.000	0.000	0.000	0.000
	Unused	0.000	0.000	0.000	0.000
	Unused	0.000	0.000	0.000	0.000
	Unused	0.000	0.000	0.000	0.000
		Totals		0.000	0.000

< Return To Main Edit Device Database



NICET CERTIFICATION INFO

NICET #	114223
LEVEL	IV
SUB-FIELD	FIRE ALARMS
EXPIRATION DATE	08/01/23
NAME	BRIAN LINDBO

GENERAL NOTES

City of Puyallup
Development & Permitting Services
ISSUED PERMIT

Building	Planning
Engineering	Public Works
Fire	Traffic

REVISIONS/NOTES

REVISION	DATE	CAD/DESIGN

JOB DETAILS

DESIGNED BY:	B.LINDBO
DRAWN BY:	A.MURPHREE
CHECKED BY:	D.MOLMEN
CREATION DATE:	01/24/2022
DRAWING SCALE:	VARIABLES

JOB NAME

STEP BY STEP GATEWAY

BATTERY CALCS