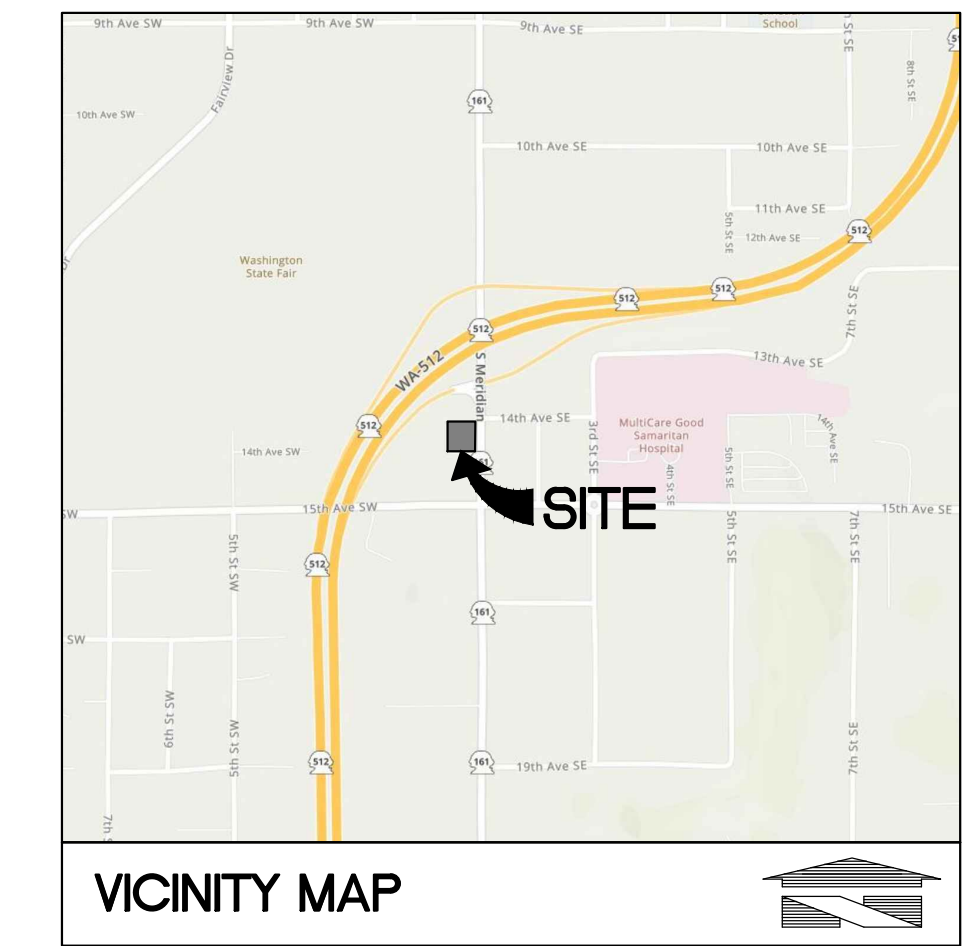
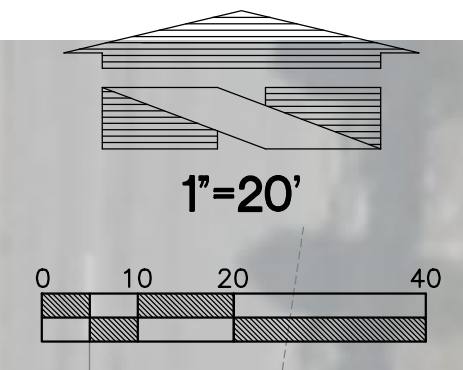
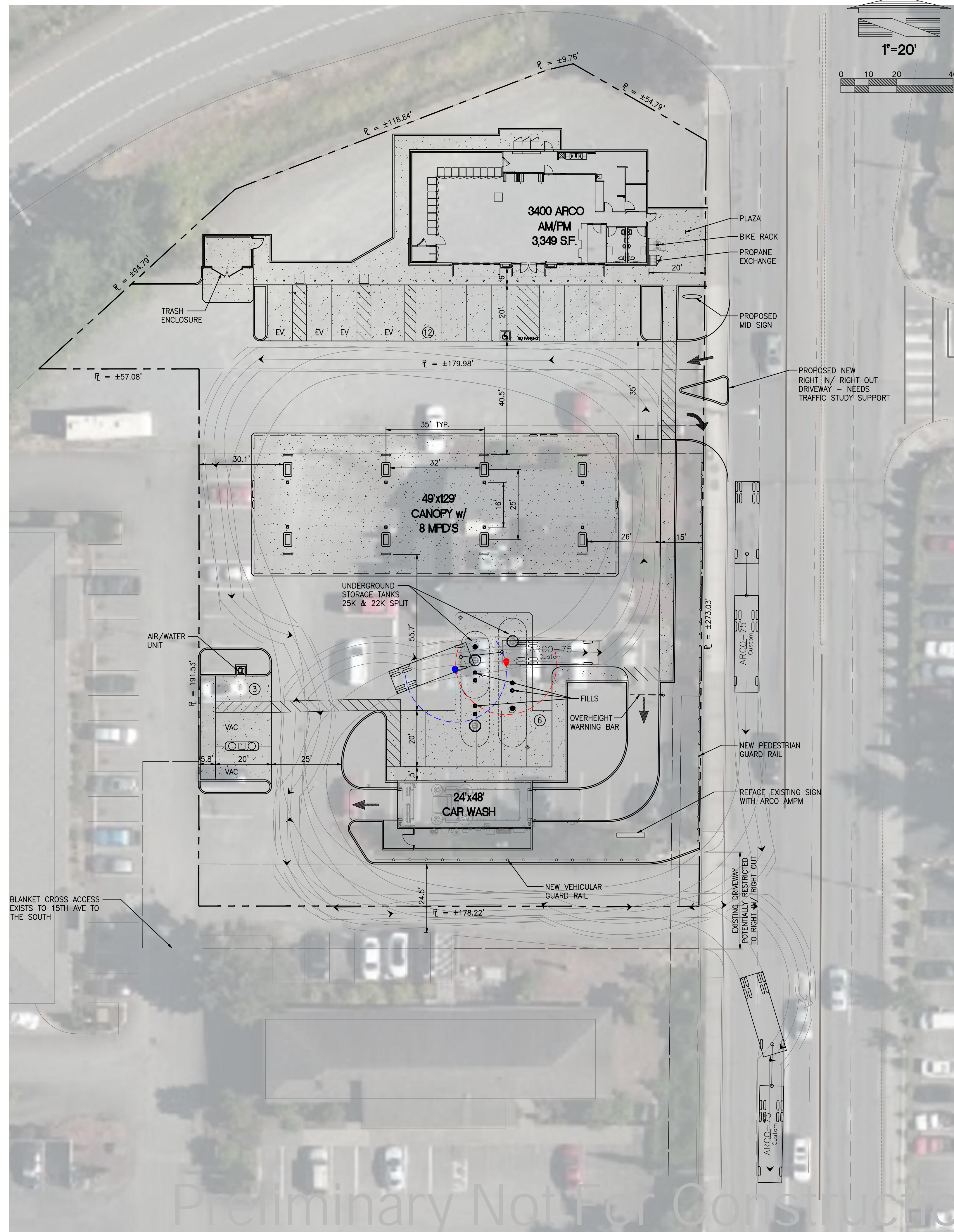


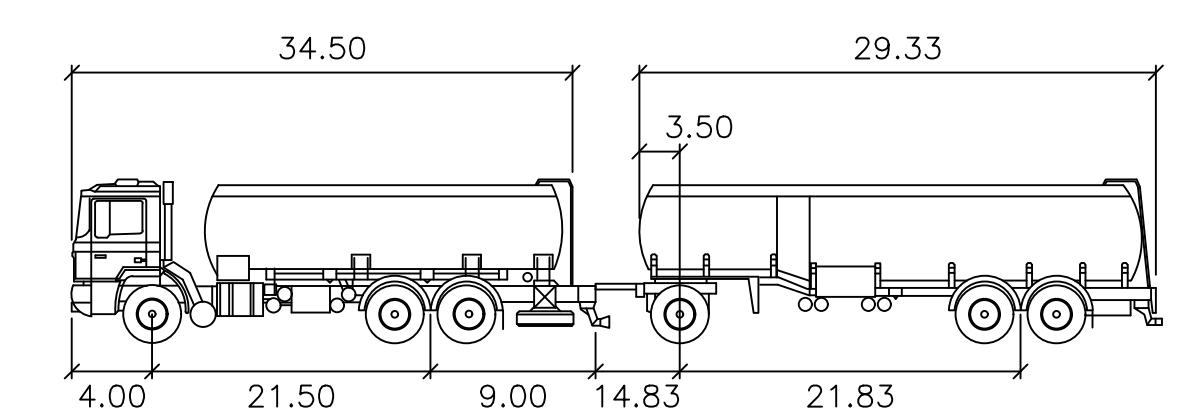
# PRELIMINARY SITE PLAN



**City of Puyallup  
Development & Permitting Services  
ISSUED PERMIT**

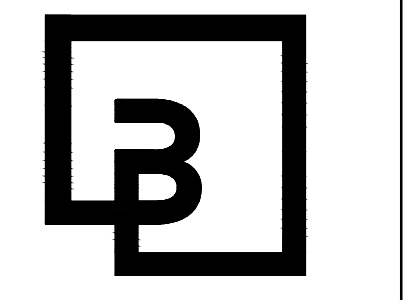
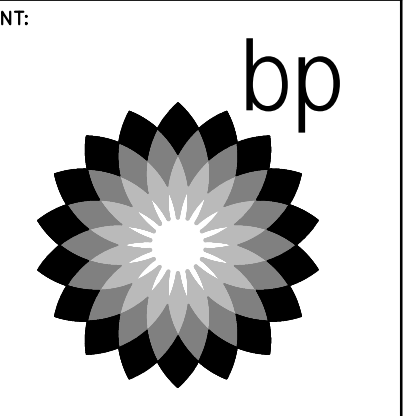
Building	Planning
Engineering	Public Works
Fire	Traffic

**PROJECT DATA**  
 LOCATION: 1402 S MERIDIAN  
 PUYALLUP, WASHINGTON  
 PROPOSED LOT AREA: ±51,520 S.F. (1.18 AC)  
 BUILDING SETBACKS:  
 FRONT YARD SETBACK: 12'  
 SIDE STREET SETBACK: 12'  
 SIDE YARD SETBACK: 0'  
 REAR YARD SETBACK: 0'  
 LANDSCAPING:  
 OVERALL LANDSCAPING: 10% OF PAVED AREA  
 PERIMETER LANDSCAPING: SETBACK WIDTH OR 12 FEET, WHICHEVER LESS  
 PARKING REQUIREMENTS:  
 NO. OF SPACES REQUIRED: 1 SPACE PER 300 SQUARE FEET  
 3,349/300 = 11.16  
 NO. OF SPACES PROVIDED: 21



First Unit Width	: 8.50	Lock to Lock Time	: 6.0
Trailer Width	: 8.50	Steering Angle	: 36.0
First Unit Track	: 8.50	Articulating Angle	: 70.0
Trailer Track	: 8.50		

**NOTE:**  
 THIS PLAN, AS SHOWN, HAS BEEN APPROVED BY BP TRANSPORTATION FOR APPROVAL OF FUEL DELIVERY BY:  
 TERMINAL MANAGER JOSEPH SMOLAR  
 DATE: JULY 9, 2021  
 ANY DEVIATION TO THIS PLAN NEEDS TO BE APPROVED THROUGH BP TRANSPORTATION TERMINAL MANAGER AND INCORPORATED INTO THE PERMIT DOCUMENTS. CONTACT FRANCHISEE FOR MORE DETAILS.



**Barghausen  
Consulting Engineers, Inc.**  
 18215 72nd Avenue South  
 Kent, WA 98032  
 425.251.6222  
 barghausen.com

NO.	DATE	REVISION DESCRIPTION
1		
2		
3		
4		
5		
6		
7		
8		
9		
10		
11		
12		
13		
14		
15		
16		
17		
18		
19		
20		
21		
22		
23		
24		
25		
26		
27		
28		
29		
30		
31		
32		
33		
34		
35		
36		
37		
38		
39		
40		
41		
42		
43		
44		
45		
46		
47		
48		
49		
50		
51		
52		
53		
54		
55		
56		
57		
58		
59		
60		
61		
62		
63		
64		
65		
66		
67		
68		
69		
70		
71		
72		
73		
74		
75		
76		
77		
78		
79		
80		
81		
82		
83		
84		
85		
86		
87		
88		
89		
90		
91		
92		
93		
94		
95		
96		
97		
98		
99		
100		

**Not for  
Construction**

**DEVELOPMENT INFORMATION:**  
 ARCO NTI  
 3400 am/pm  
 FUEL CANOPY w/ 8 MPD'S

**SITE ADDRESS:**  
 SWC S MERIDIAN  
 @ HIGHWAY 512  
 PUYALLUP, WASHINGTON  
 FACILITY #TBD

DESIGNED BY:	ALLIANCE Z&DM:
CHECKED BY:	BP REP:
DRAWN BY:	DJ ALLIANCE PM:
VERSION:	PROJECT NO: 21730

**DRAWING TITLE:**  
 PRELIMINARY  
 SITE PLAN

**SHEET NO.:**  
 SP-5