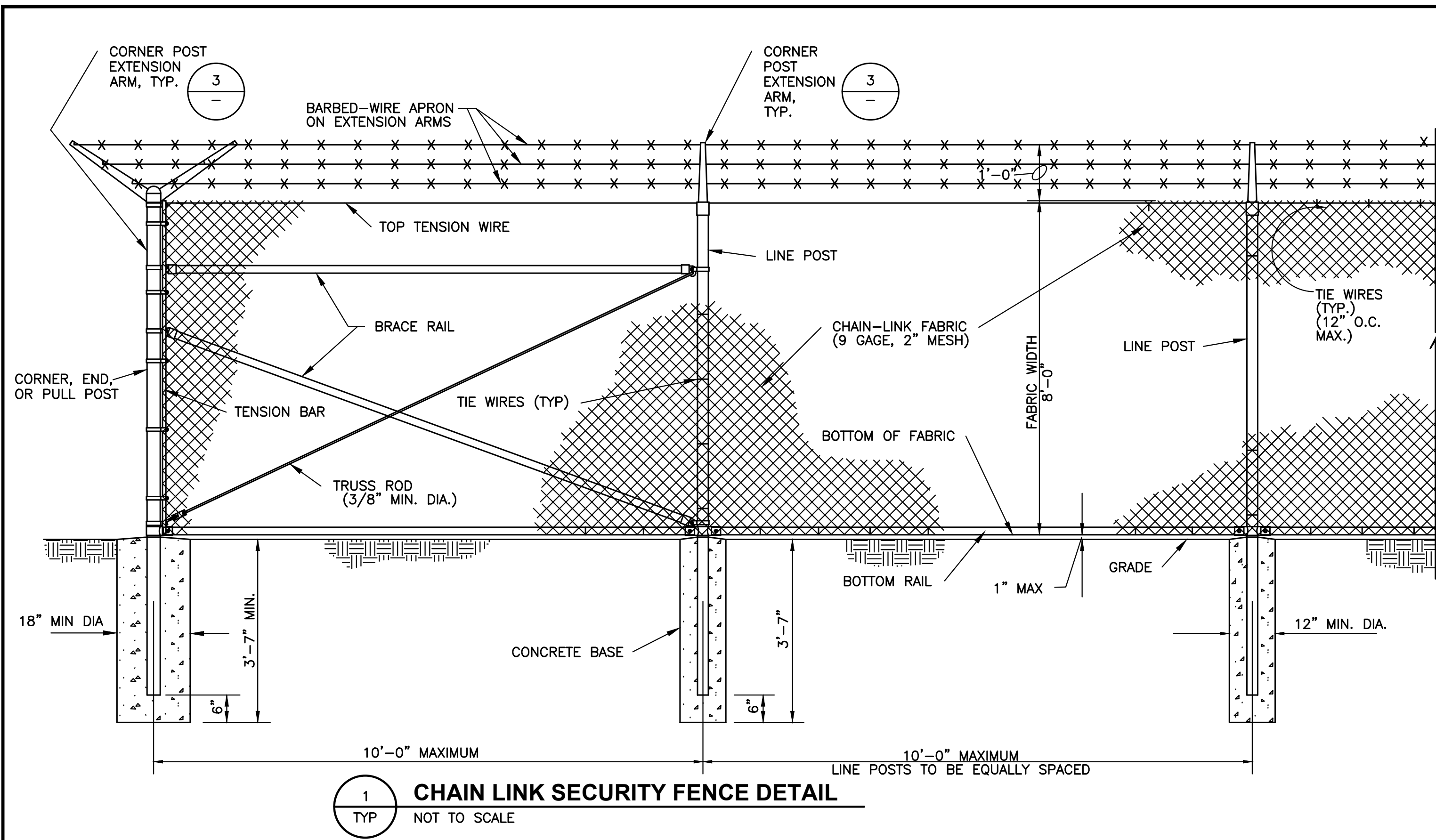
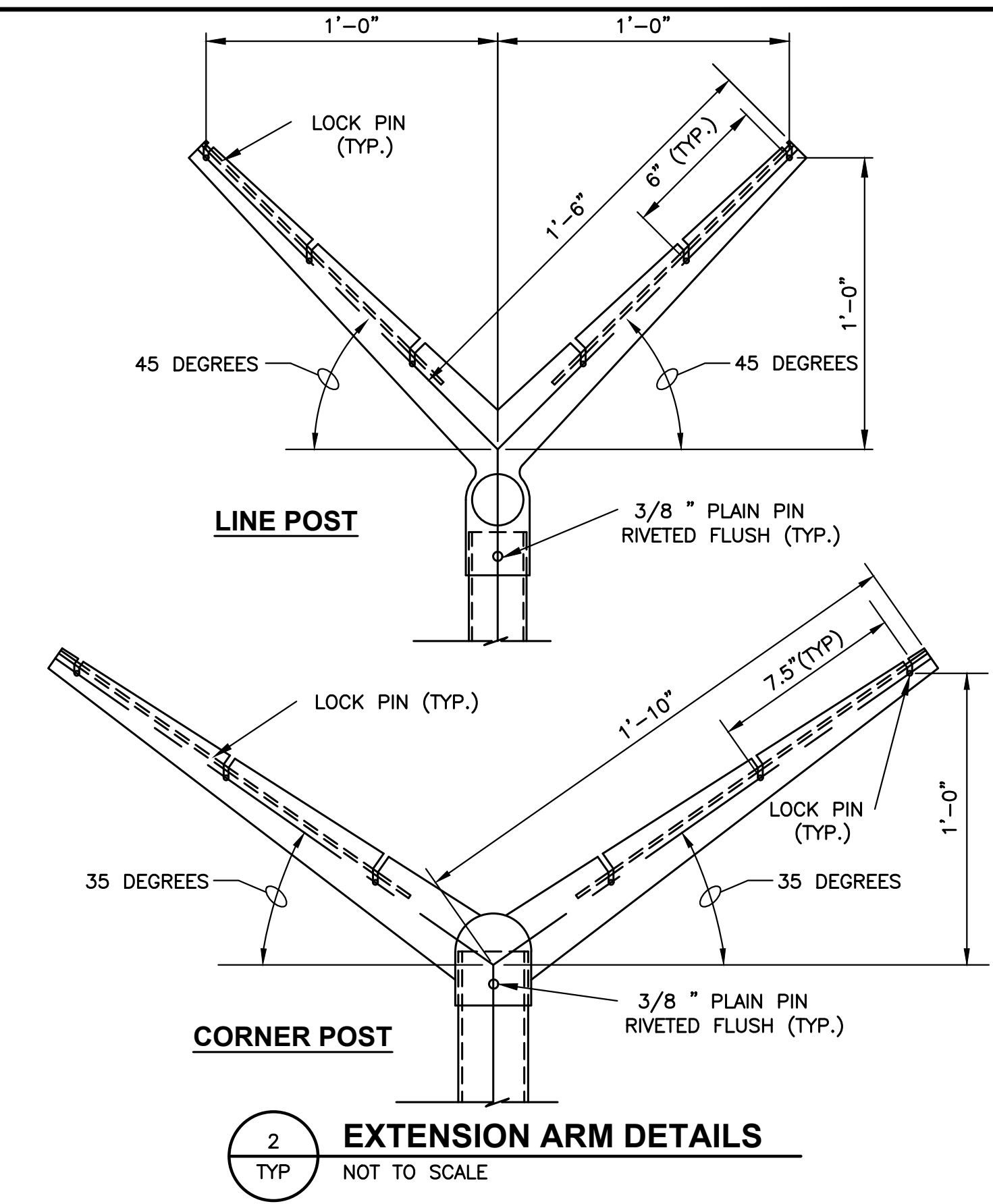


M:\PUYALLUP\20503 - North Levee Road Pump Station\02\_PLANSSET\General\GD\_DET.dwg, 4/28/2022 9:26 AM, RUSSELL HORITA

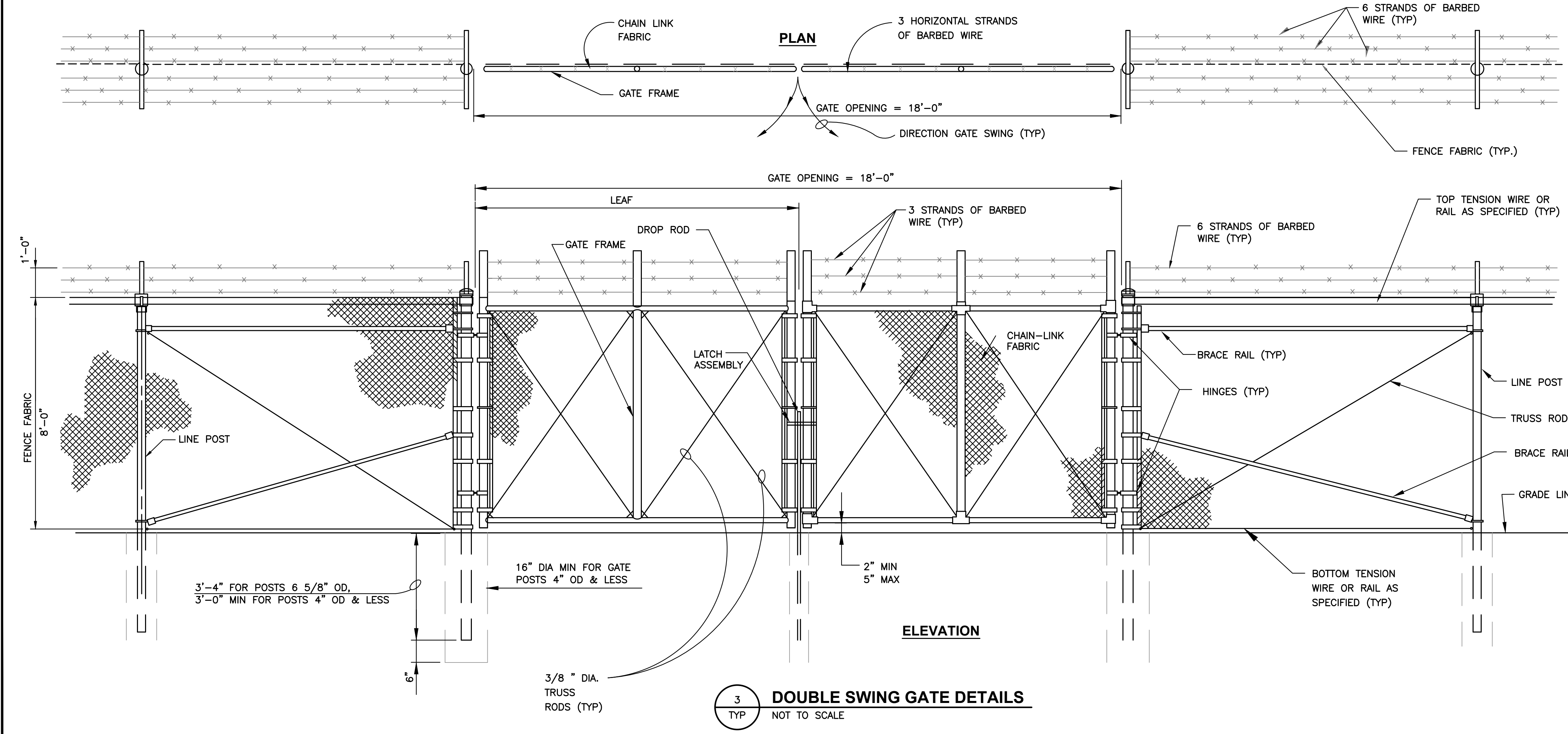


**1 CHAIN LINK SECURITY FENCE DETAIL**  
TYP NOT TO SCALE

- NOTES:**
- CORNER POSTS SHALL BE INSTALLED AT ALL POINTS WHERE ALIGNMENT CHANGES 30° OR MORE AND AT ALL OTHER LOCATIONS, AS REQUIRED.
  - CORNER, END, AND PULL POSTS SHALL HAVE A MINIMUM NOMINAL OUTSIDE DIAMETER OF 2.875".
  - LINE POSTS SHALL HAVE A MINIMUM NOMINAL OUTSIDE DIAMETER OF 2.375".
  - BOTTOM AND BRACE RAILS SHALL HAVE A MINIMUM NOMINAL OUTSIDE DIAMETER OF 1.66".
  - WIRE TIES, RAILS, POSTS, AND BRACES SHALL BE CONSTRUCTED ON THE SECURE SIDE OF THE FENCE ALIGNMENT. CHAIN LINK FABRIC SHALL BE PLACED ON THE SIDE OPPOSITE THE SECURE AREA.
  - ONLY 9-GAGE GALVANIZED STEEL TIE WIRES SHALL BE USED FOR FASTENING THE FENCE FABRIC TO FENCE POSTS AND RAILS. 9-GAGE GALVANIZED TIE WIRES SHALL BE USED FOR FASTENING FENCE FABRIC TO TENSION WIRES.
  - BOTTOM RAIL SHALL BE ATTACHED TO DOUBLE RAIL ENDS USING 3/8" CARRIAGE BOLTS.
  - PROVIDE BRACE PANEL WHENEVER STRAIGHT RUNS EXCEED 500 FEET.



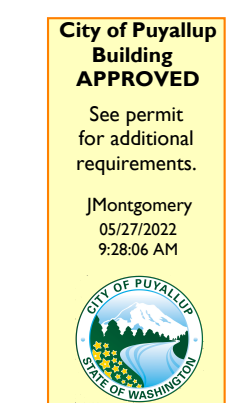
**2 EXTENSION ARM DETAILS**  
TYP NOT TO SCALE



**3 DOUBLE SWING GATE DETAILS**  
TYP NOT TO SCALE

THE APPROVED CONSTRUCTION PLANS, DOCUMENTS AND ALL ENGINEERING MUST BE POSTED ON THE JOB AT ALL INSPECTIONS IN A VISIBLE AND READILY ACCESSIBLE LOCATION.

FULL SIZED LEDGIBLE COLOR PLANS ARE REQUIRED TO BE PROVIDED BY THE PERMITEE ON SITE FOR INSPECTION



- NOTES:**
- GATE POSTS SHALL HAVE A MINIMUM NOMINAL OUTSIDE DIAMETER OF 4".
  - SWING GATES SHALL BE CONSTRUCTED WITH DROP RODS, PADLOCKS, LATCH ASSEMBLY, AND GATE KEEPERS.
  - ALL GATE FRAMES SHALL MEET THE MINIMUM REQUIREMENTS OF ASTM F900 1.90" NOMINAL ROUND. GATE FRAMES SHALL BE OF WELDED CONSTRUCTION OR ASSEMBLED USING HEAVY FITTINGS. THE CONTRACTOR SHALL BE RESPONSIBLE FOR THE PROPER RIGID CONSTRUCTION OF ALL GATES.

**APPROVED**

BY: \_\_\_\_\_  
CITY ENGINEER  
CITY OF PUYALLUP

APPROVED DATE: 4/26/2022

EXPIRATION DATE: 12/31/2023

0 1" 2"  
TWO INCHES AT FULL SCALE.  
IF NOT, SCALE ACCORDINGLY

**Gray & Osborne, Inc.**  
CONSULTING ENGINEERS  
1130 RAINIER AVENUE SOUTH, SUITE 300  
SEATTLE, WASHINGTON 98144 • (206) 264-0860

DATE: APRIL 2022	DRAWN: CRB	CHECKED: DAW	APPROVED: DAW
------------------	------------	--------------	---------------

REVISION	DATE	APPD



**CITY OF PUYALLUP**  
PIERCE COUNTY WASHINGTON  
**NORTH LEVEE ROAD PUMP STATION REPLACEMENT**  
SECURITY FENCING AND GATE DETAILS

SHEET: **GD-5**  
OF: **6**  
JOB NO.: 20503  
DWG: GD\_DET