



Temp fencing

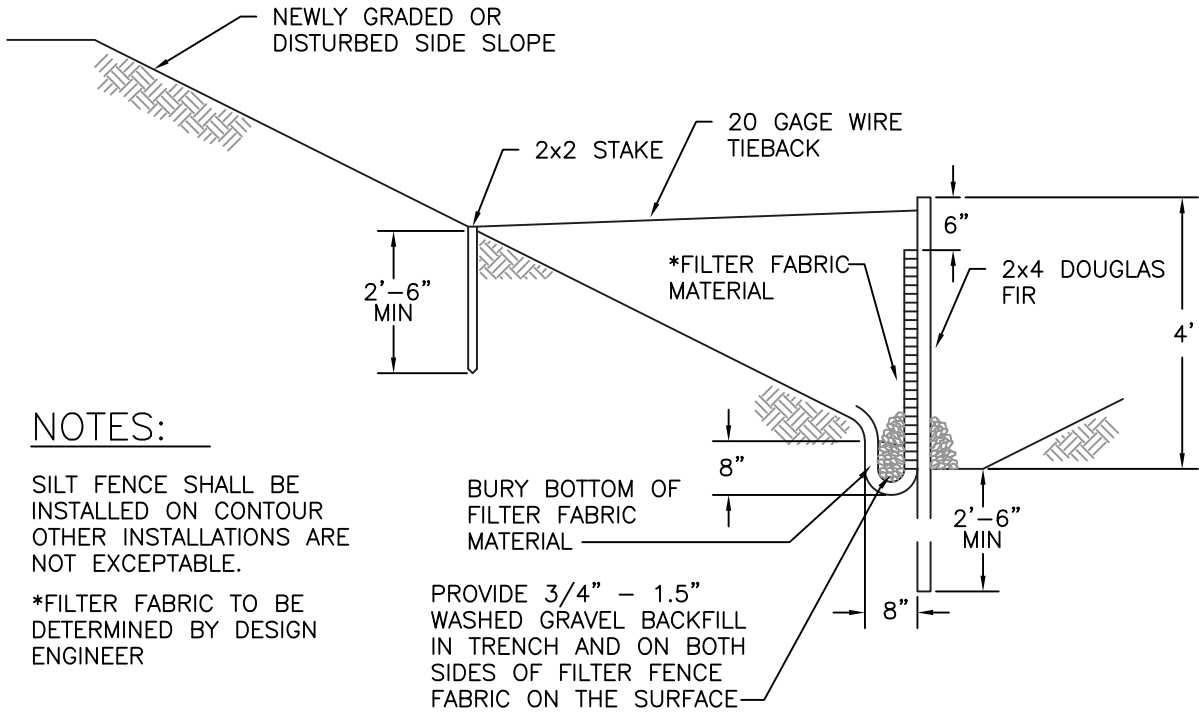
Gravel fill

Silt fencing

Parking Entrance

50'

100'



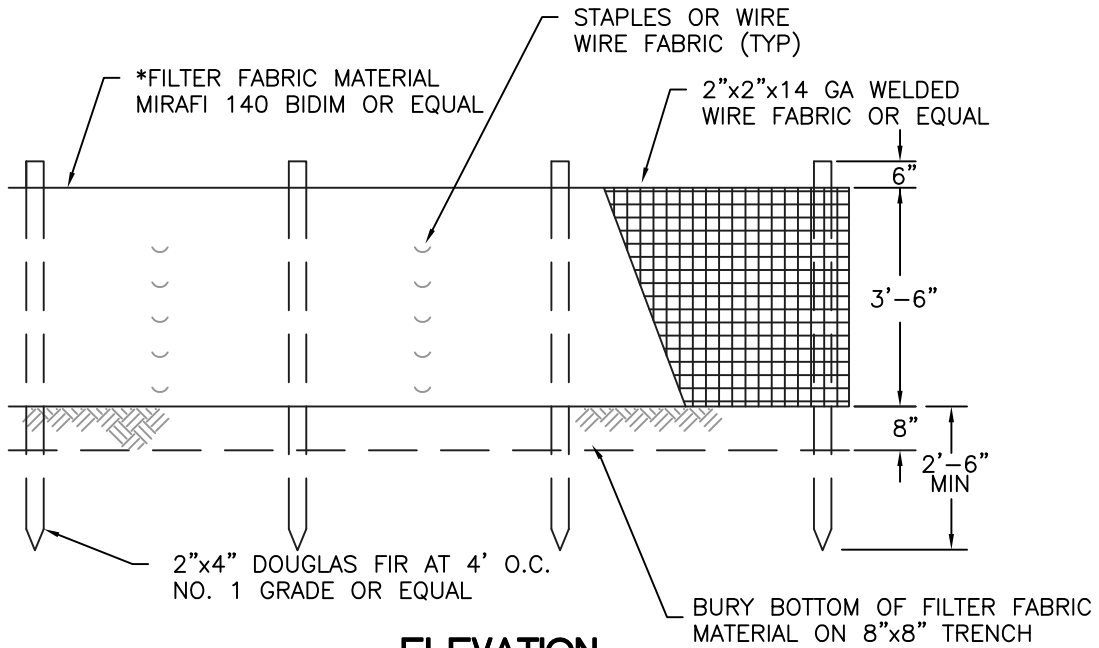
NOTES:

SILT FENCE SHALL BE INSTALLED ON CONTOUR OTHER INSTALLATIONS ARE NOT EXCEPTABLE.

*FILTER FABRIC TO BE DETERMINED BY DESIGN ENGINEER

PROVIDE 3/4" - 1.5" WASHED GRAVEL BACKFILL IN TRENCH AND ON BOTH SIDES OF FILTER FENCE FABRIC ON THE SURFACE

TYPICAL CROSS SECTION



ELEVATION



CITY OF PUYALLUP

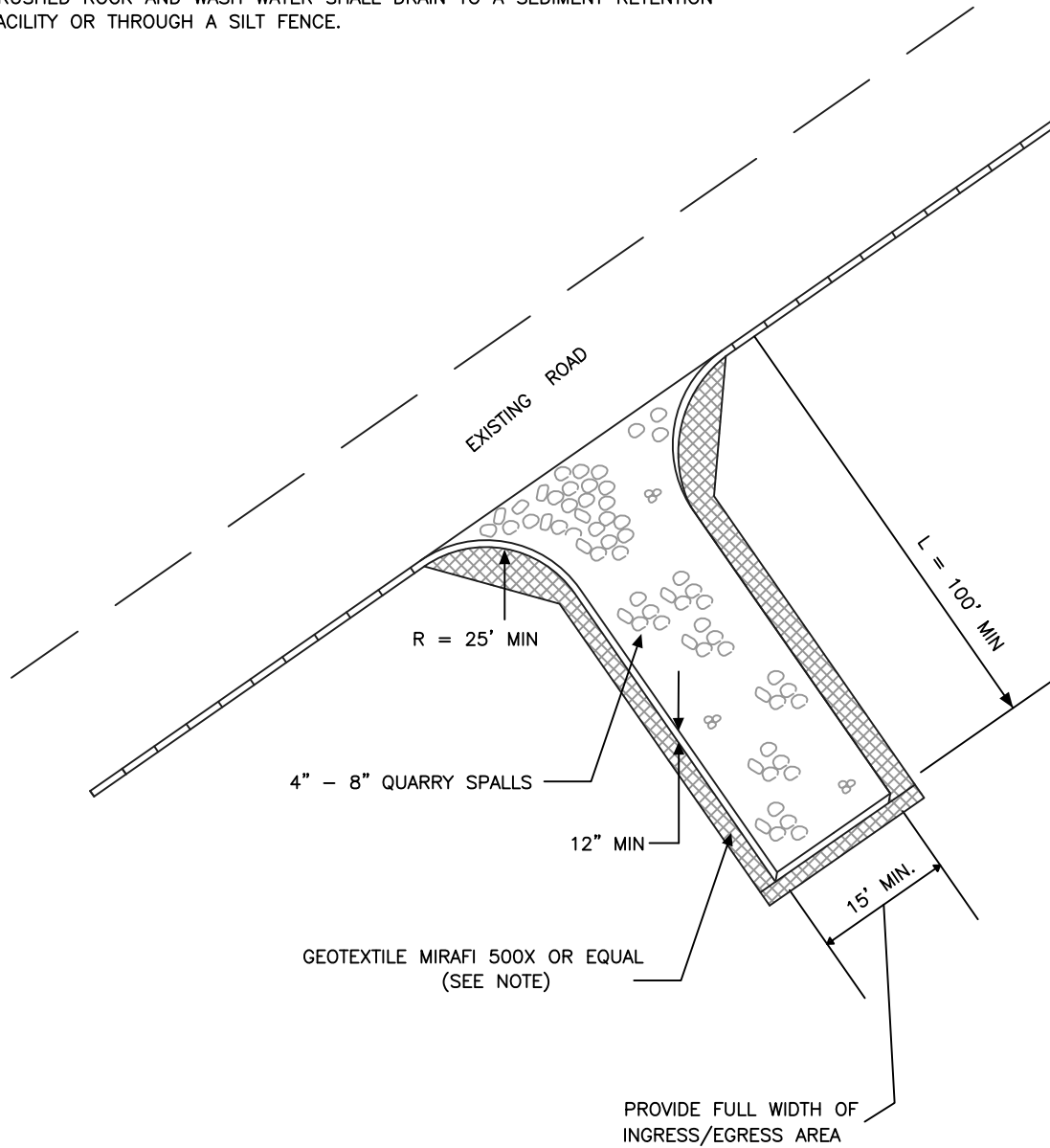
DEVELOPMENT ENGINEERING and PUBLIC WORKS DEPARTMENTS

SILTATION FENCE

<small>DRAWN BY</small> LINDA LANSING	<small>CHECKED BY</small> LINDA LIAN	<small>APPROVED BY</small> COLLEEN HARRIS	<small>REVISED BY</small> XXXX	<small>CITY STANDARD</small> 02.03.02
<small>FILE NAME</small> F:\DWG\COMMON\STDS\CITY\2009\02_SD\02.03.02	<small>DATE APPROVED</small> 09/01/1992	<small>DATE REVISED</small> 06/01/2003	<small>SCALE</small> NTS	

NOTE:

1. GEOTEXTILE MIRAFI 500 X OR APPROVED EQUAL SHALL BE PLACED UNDER THE ENTIRETY OF THE TEMPORARY ENTRANCE.
2. ADDITIONAL ROCK SHALL BE ADDED PERIODICALLY TO MAINTAIN PROPER FUNCTION OF THE PAD.
3. IF THE PAD DOES NOT ADEQUATELY REMOVE THE MUD FROM THE VEHICLE'S WHEELS, THE WHEELS SHALL BE HOSED OFF BEFORE THE VEHICLE ENTERS A PAVED STREET. THE WASHING SHALL BE DONE ON AN AREA COVERED WITH CRUSHED ROCK AND WASH WATER SHALL DRAIN TO A SEDIMENT RETENTION FACILITY OR THROUGH A SILT FENCE.



CITY OF PUYALLUP

DEVELOPMENT ENGINEERING and
PUBLIC WORKS DEPARTMENTS

TEMPORARY CONSTRUCTION ENTRANCE

DRAWN BY
JIM ERWIN-SVOBODA

CHECKED BY
LINDA LIAN

APPROVED BY
COLLEEN HARRIS

REVISED BY
XXXX

*CITY
STANDARD*

FILE NAME
F:\DWG\COMMON\STDS\CITY\2009\05_GRD\05.01\05.01.01

DATE APPROVED
07/01/2009

DATE REVISED
XX/XX/XX

SCALE
1:40

05.01.01