



07/20/2022

FIRE ALARM SUBMITTAL #1

MERIDIAN CENTER-TANDOORI GRILL



TABLE OF CONTENTS

- Shop Drawings
- Battery & Voltage Drop Calcs
- Graphic Maps
- Cut Sheets
 - FA Panel
 - Remote Annunciator
 - Power Supplies
 - Initiating Devices
 - Notification Appliances
 - Modules
 - Misc. Equipment



Shop Drawings

DESIGN NARRATIVE

THE PURPOSE OF THIS DESIGN IS HOOD SYSTEM MONITORING WITH LIMITED NOTIFICATION.

WE ACHIEVE THIS BY INSTALLING A NEW IDP MONITOR MODULE AND CONNECT IT TO THE EXISTING IFP-300 SYSTEM IN THE SPRINKLER RISER ROOM. MONITORING IS EXISTING, AND IS PROVIDED VIA THE INTEGRATED ONBOARD IP COMMUNICATOR.

THE IFP-300B ADDRESSABLE FIRE ALARM PANEL IS POWERED FROM A 20 AMP DEDICATED CIRCUIT. THE BATTERIES ARE SIZED TO PROVIDE 24 HOUR STANDBY WITH 5 MINUTES OF ALARM. COMPLETE CALCULATIONS ARE INCLUDED WITH CUT SHEETS.

UL LISTING IS THROUGH SMITH FIRE SYSTEMS THE MONITORING CONTRACTOR.

WORK UNDER THIS PERMIT IS SHOWN IN THE REVISION BUBBLES.

TABLE A.18.4.3 Average Ambient Sound Level According to Location

Location	Average Ambient Sound Level (dBA)
Business occupancies	55
Educational occupancies	45
Industrial occupancies	80
Institutional occupancies	50
Mercantile occupancies	40
Mechanical rooms	85
Piers and water-surrounded structures	40
Places of assembly	55
Residential occupancies	35
Storage occupancies	30
Thoroughfares, high-density urban	70
Thoroughfares, medium-density urban	55
Thoroughfares, rural and suburban	40
Tower occupancies	35
Underground structures and windowless buildings	40
Vehicles and vessels	50



Jonathan Olson
NICET #40743
Fire Alarm Systems
Level III
 Cert NO. 103664 08/01/2022



BUILDING DATA

ADDRESS:	4423 S. MERIDIAN STREET PUYALLUP, WA. 98373
PARCEL #:	0419106022
AREA:	25 FT ²
TYPE OF CONST:	TYPE VB - FULLY SPRINKLERED
OCCUPANCY:	B

MONITORING SERVICE PROVIDED BY:

SMITH FIRE SYSTEMS
 253-926-1880
 1106 54TH AVE EAST
 TACOMA, WA. 98424
 ACCOUNT NUMBER - LAC812774
 PHONE NUMBER: 1-800-752-2490
 UL LISTING NUMBER - SP042

RUNNER SERVICE PROVIDED BY

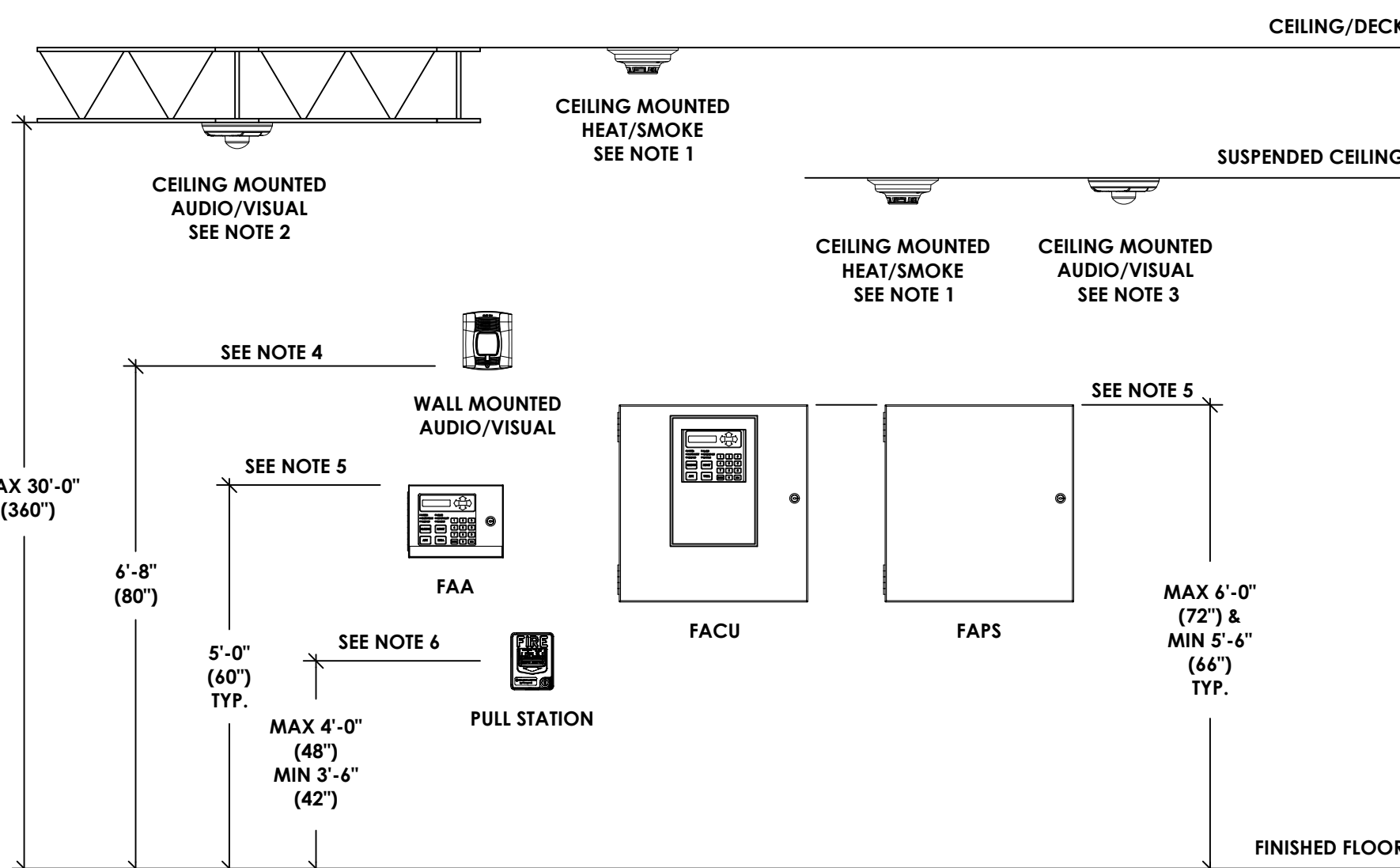
SMITH FIRE SYSTEMS
 1106 54TH AVE EAST
 TACOMA, WA. 98424
 EMERGENCY SERVICE NUMBER 1-253-248-2000

SYMBOL LEGEND

[FACP]	FIRE ALARM CONTROL UNIT- IFP-300 - (EXISTING)	0
[FAPS]	FIRE ALARM POWER SUPPLY -	0
[AES]	AES RADIO - POWER PROVIDED BY FACP	0
[FAA]	FIRE ALARM ANNUNCIATOR -	0
[FAD]	FIRE ALARM DOCUMENT BOX	0
[F]	MANUAL PULL STATION - IDP-PULL-DA - (EXISTING)	0
[S]	SMOKE DETECTOR - IDP-SMOKE-W - (EXISTING)	0
[H]	HEAT DETECTOR - (EXISTING)	0
[M]	MONITOR MODULE - IDP-MONITOR - NEW DEVICE	1
[I]	ISOLATION MODULE -	0
[R]	RELAY MODULE -	0
[T]	SPRINKLER TAMPER CONNECTION - (EXISTING)	0
[S]	CEILING MOUNT STROBE - - (EXISTING)	0
[H]	CEILING MOUNT HORN STROBE - - (EXISTING)	0
[H]	WALL MOUNT/WEATHERPROOF HORN STROBE - SS-PC2RK- (EXISTING)	0
[LF]	WALL MOUNT LOW FREQUENCY HORN -	0
[M]	WALL MOUNT MAGNETIC DOOR HOLDER	0
[WP]	INDICATES WEATHER RESISTANT DESIGN	
[XXcd]	INDICATES CANDELA RATING OF STROBE LIGHT	
[EOL]	DENOTES END OF CIRCUIT FOR THAT NAC LOOP	

SHEET INDEX	
SHEET NUMBER	DISCRPTION
FA01	PROJECT DETAILS
FA02	FIRE ALARM DEVCE AND WIRE LAYOUT
FA03	FIRE ALARM ONE LINE RISER
FA04	FIRE ALARM GRAPHIC MAP

IMPUTE DEVICES OR ACTIONS	OUTPUT DEVICES OR ACTIONS															
	ALARM LED ACTIVATES	SUPERVISORY LED ACTIVATES	TROUBLE LED ACTIVATES	PIZO ACTIVATES	ALARM WITH POINT ID TRANSMITTED	SUP. WITH POINT ID TRANSMITTED	TROUBLE WITH POINT ID TRANSMITTED	GENERAL ALARM NOTIFICATION	EXTERIOR STROBE ONLY	WATERFLOW BELL	HVAC SHUT DOWN	FIRE DAMPERS CLOSE	ELEVATOR RECALL MAIN	ELEVATOR RECALL ALTERNATE	ELEVATOR RECALL MACHINE ROOM	ELEVATOR SHUNT ACTIVATED
WATERFLOW SWITCH																
SMOKE DETECTOR																
PULLSTATION																
ELEVATOR MAIN LOBBY SMOKE DETECTOR																
ELEVATOR ALTERNATE LOBBY SMOKE DETECTORS																
ELEVATOR MACHINE ROOM SMOKE DETECTOR																
SPRINKLER SUPERVISORY SWITCHES																
HVAC SUPERVISORY CONDITIONS																
ELEVATOR SUPERVISORY CONDITIONS																
ELEVATOR SHUNT HEAT DETECTOR																
SYSTEM COMPONIT																
DEVICE OR MODULE																
NOTIFICATION CLUIRCIT																
AC / BATTERY																
DRILL BUTTION																
FUNCTION 1 KEY																
FUNCTION 2 KEY																
FUNCTION 3 KEY																
FUNCTION 4 KEY																



- NOTES:**
- LOCATE CEILING MOUNTED HEAT/SMOKE DETECTORS ON THE BOTTOM OF THE DECK/SUSPENDED CEILING (NOT ON BOTTOM OF STRUCTURAL MEMBERS), AND AS INDICATED IN NFPA 72.
 - LOCATE CEILING MOUNTED NOTIFICATION DEVICES ON BOTTOM OF BEAMS OR JOISTS; WITH CLEAR LINE OF SITE IN ALL DIRECTIONS; NO GREATER THAN THIRTY (30) FEET ABOVE THE FINISHED FLOOR; AND AS INDICATED IN NFPA 72.
 - LOCATE CEILING MOUNTED NOTIFICATION DEVICES FLUSH WITH THE SUSPENDED CEILING; ALIGNED WITH LIGHTING, SPRINKLERS, AND OTHER ARCHITECTURAL FIXTURES; WITH CLEAR LINE OF SITE IN ALL DIRECTIONS; NO GREATER THAN THIRTY (30) FEET A.F.F.; AND AS INDICATED IN NFPA 72.
 - LOCATE WALL MOUNTED NOTIFICATION DEVICES AT 80" A.F.F TO BOTTOM OF BACK BOX.
 - COORDINATE EXACT MOUNTING HEIGHT OF CONTROL PANELS, ANNUNCIATORS, AND POWER SUPPLIES WITH THE GENERAL CONTRACTOR, ELECTRICAL CONTRACTOR AND AHJ PRIOR TO INSTALLATION.
 - MEASURED TO THE OPERABLE PART OF THE PULL STATION.

TYPICAL DEVICE MOUNTING HEIGHT
 N.T.S.

WIRE LEGEND SYMBOLS

SYMBOL	DESCRIPTION
##cd	INDICATES THE CANDELA SETTING OF THE STROBE.
A →	INDICATES 1x OF THE SPECIFIED WIRE. THE LETTER CORRESPONDS TO THE WIRE TYPE, IN THE WIRE LEGEND.
A,B →	INDICATES 1x EACH OF THE SPECIFIED WIRE. THE LETTER CORRESPONDS TO THE WIRE TYPE, IN THE WIRE LEGEND.
B ² →	INDICATES 2 OF THE SPECIFIED WIRE. THE LETTER CORRESPONDS TO THE TYPE, THE EXPONENT IS THE NUMBER OF THAT WIRE.

WIRE LEGEND

WIRE	USE	TYPE	DESCRIPTION
A	SLC	18 GAUGE 2 CONDUCTOR - FPLP	DATA CIRCUIT TO SMOKES, PULLS AND SPRINKLER MODULES.

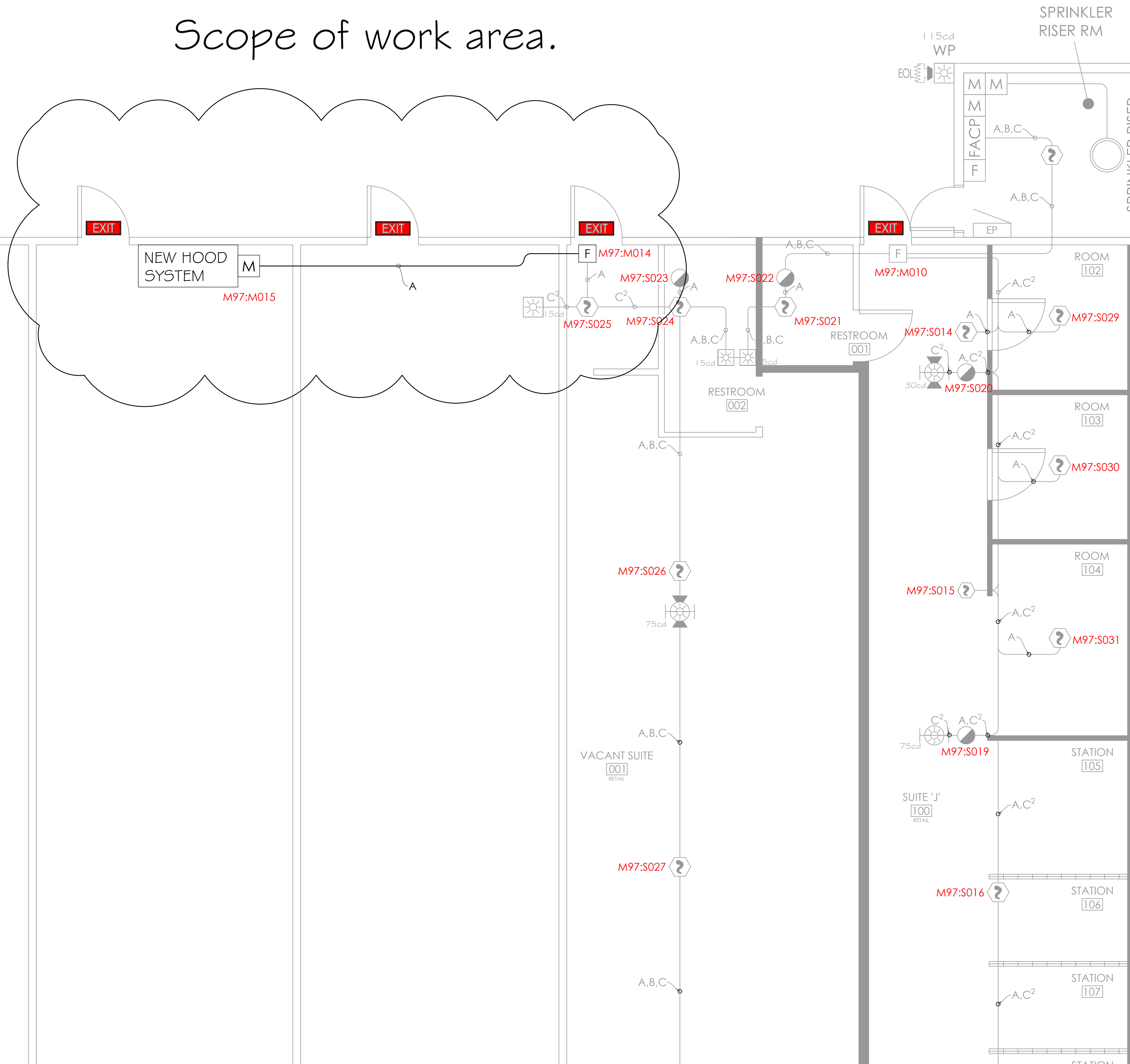
Date: 07/19/2022
 Drawn By: JPO
 Email: JON@FIRETEKOLYMPIA.COM
 Job #: 32430
 File Name: FA MERIDIAN CTR
 DWG Name: FA_PLAN
 Plot Date:
 Version: AutoCAD LT 2023

Project Name:
MERIDIAN PLACE SHOPPING CENTER
TANDOORI GRILL
4423 S. MERIDIAN
PUYALLUP, WA

Sheet Number

FA01

Scope of work area.



TANDOORI GRILL-- DEVICE AND WIRE LAYOUT

SCALE: 1/4"=1'-0" (IN FEET)
0 2 4 8

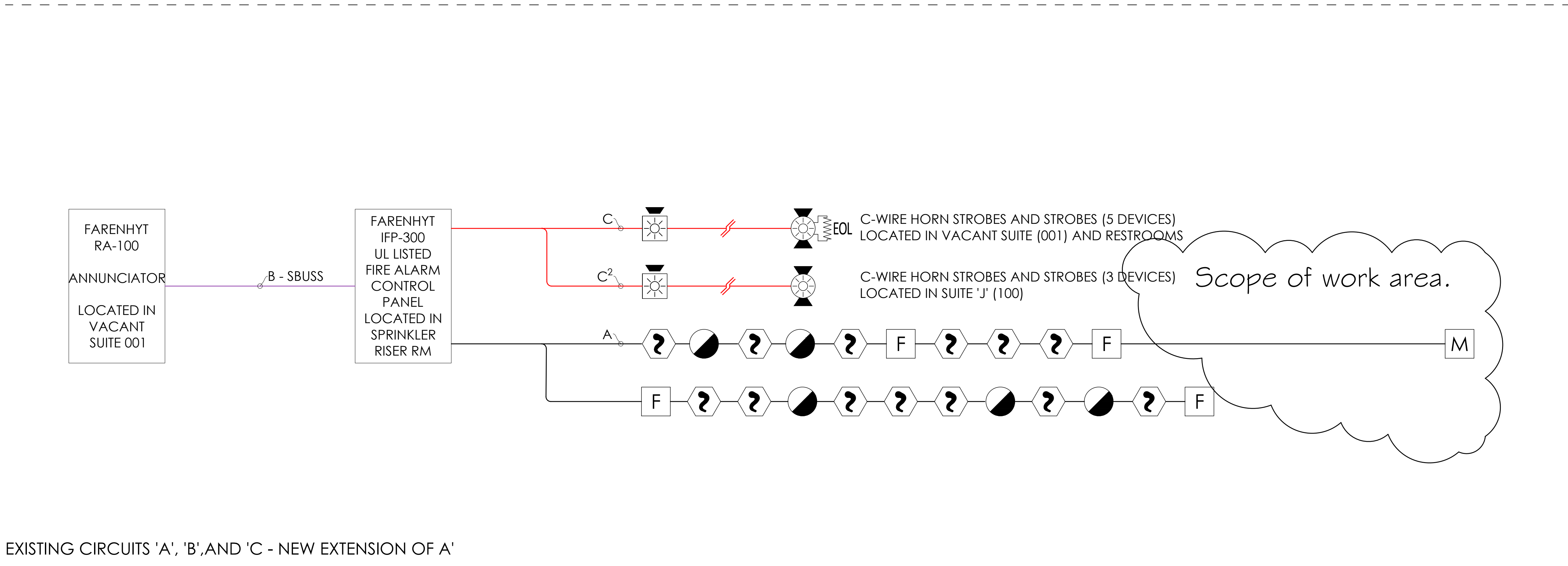


Rev:	Date:	Description:

Date:	07/20/2022
Drawn By:	JPO
Email:	JON@FIRETEKOLYMPIA.COM
Job #:	32430
File Name:	FA MERIDIAN CTR
DWG Name:	FA_PLAN 001
Plot Date:	
Version:	AutoCAD LT 2023

Project Name:
MERIDIAN PLACE SHOPPING CENTER
TANDOORI GRILL
4423 S. MERIDIAN A-117
PUYALLUP, WA

Sheet Number
FA02



Rev:	Date:	Description:

Date:	07/20/2022
Drawn By:	JPO
Email:	JON@FIRETEKOLYMPIA.COM
Job #:	32430
File Name:	FA MERIDIAN CTR
DWG Name:	FA_PLAN 001
Plot Date:	
Version:	AutoCAD LT 2023

Project Name:
MERIDIAN PLACE SHOPPING CENTER
TANDOORI GRILL
4423 S. MERIDIAN A-117
PUYALLUP, WA

Sheet Number
FA03

TANDOORI GRILL -- ONE LINE RISER DIAGRAM



Battery & Voltage Drop Calcs

Tandoori Grill - Battery Calculation Report

PANEL INFORMATION

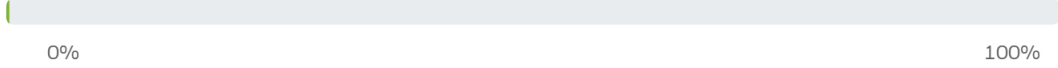
Panel Type	IFP-300IDP
No. of Loops	1
No. of Devices	27
Status	✔ PASS

BATTERY & CHARGER REQUIREMENT

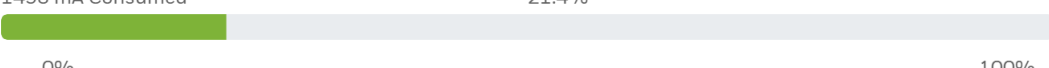
Normal Operation	24 Hours	BAT-12120	12Ah	8.241Ah	BB-17
In Alarm	5 Mins	Suggested Battery	Suggested Capacity	Required Capacity	Suggested Batt. Box

Required Quiescent/Stand By time(In Hours)		Required In Alarm time(In Mins)	
Standby Load Current	x Panel in Normal Operation (In hours)	In Alarm Load Current(In Amps)	x Panel In Alarm(In Mins)
0.234	24 = 5.616 Ah	1.282	0.083(5mins) = 0.107Ah
		Total Current Load = 5.723Ah Multiply with derating factor = x1.2 Adding with spare capacity = +(5.723 x 1.2 x 0.2) Total AH required = 8.241 Ah	

LOOP1 DETAILS

Loops	1	17.6 mA Consumed	0.3%
Number of devices	25		
		0%	100%

PANEL MODULES

No. of Modules	2	1498 mA Consumed	21.4%
			
		0%	100%

Module Name	Quantity	Quiescent/Stand By (mA)	Alarms (mA)
IFP-300 Control Panel	1	190	250
5880	1	35	200

Loop Details

Loop1			
Module Name	Quantity	Quiescent/Stand By (mA)	Alarms (mA)
SD505-HEAT	11	0.55	0.55
SD500-AIM	2	0.55	0.55
SD500-MIM	3	0.55	0.55

NAC CIRCUITS

NAC Name	Alarms (mA)	Quiescent/Stand By (mA)
Dolly's	286	0
NAC Circuit 2	274	0
NAC Circuit 3	0	0

Tandoori Grill - Voltage Drop Calculation Report

POWER SOURCE

Power Source	IFP-300 CLASS B	Brand	Farenhyt	Model Number	IFP-300 CLASS B	Nominal System Voltage	20.4 VOLTS
--------------	-----------------	-------	----------	--------------	-----------------	------------------------	------------

CIRCUIT 1

NAC Circuit1	0.286 AMPS	CLASS B	AWG	4 Devices	0.286 AMPS USED	0.12 VOLTAGE DROP
--------------	------------	---------	-----	-----------	-----------------	-------------------

#	Device Model	Candela	Pattern	Volume	Tone	CURRENT (AMPS)	Dist from prev device	Volts
1	SWL	15				0.043	20	20.36
2	PC2WL	30	Continuous	High	Electromechanical	0.09	30	20.32
3	SCWL	30				0.063	30	20.29
4	PC2WL	30	Continuous	High	Electromechanical	0.09	30	20.28

CIRCUIT 2

NAC Circuit2	0.274 AMPS	CLASS B	AWG	4 Devices	0.274 AMPS USED	0.11 VOLTAGE DROP
--------------	------------	---------	-----	-----------	-----------------	-------------------

#	Device Model	Candela	Pattern	Volume	Tone	CURRENT (AMPS)	Dist from prev device	Volts
1	SWL	15				0.043	30	20.35
2	SWL	15				0.043	5	20.34
3	P2WL	30	Continuous	High	Electromechanical	0.094	30	20.31
4	P2WL	30	Continuous	High	Electromechanical	0.094	30	20.29

CIRCUIT 3

NAC Circuit3	0 AMPS	CLASS B	AWG	0 Devices	0 AMPS USED	0 VOLTAGE DROP
--------------	--------	---------	-----	-----------	-------------	----------------

#	Device Model	Candela	Pattern	Volume	Tone	CURRENT (AMPS)	Dist from prev device	Volts
---	--------------	---------	---------	--------	------	----------------	-----------------------	-------

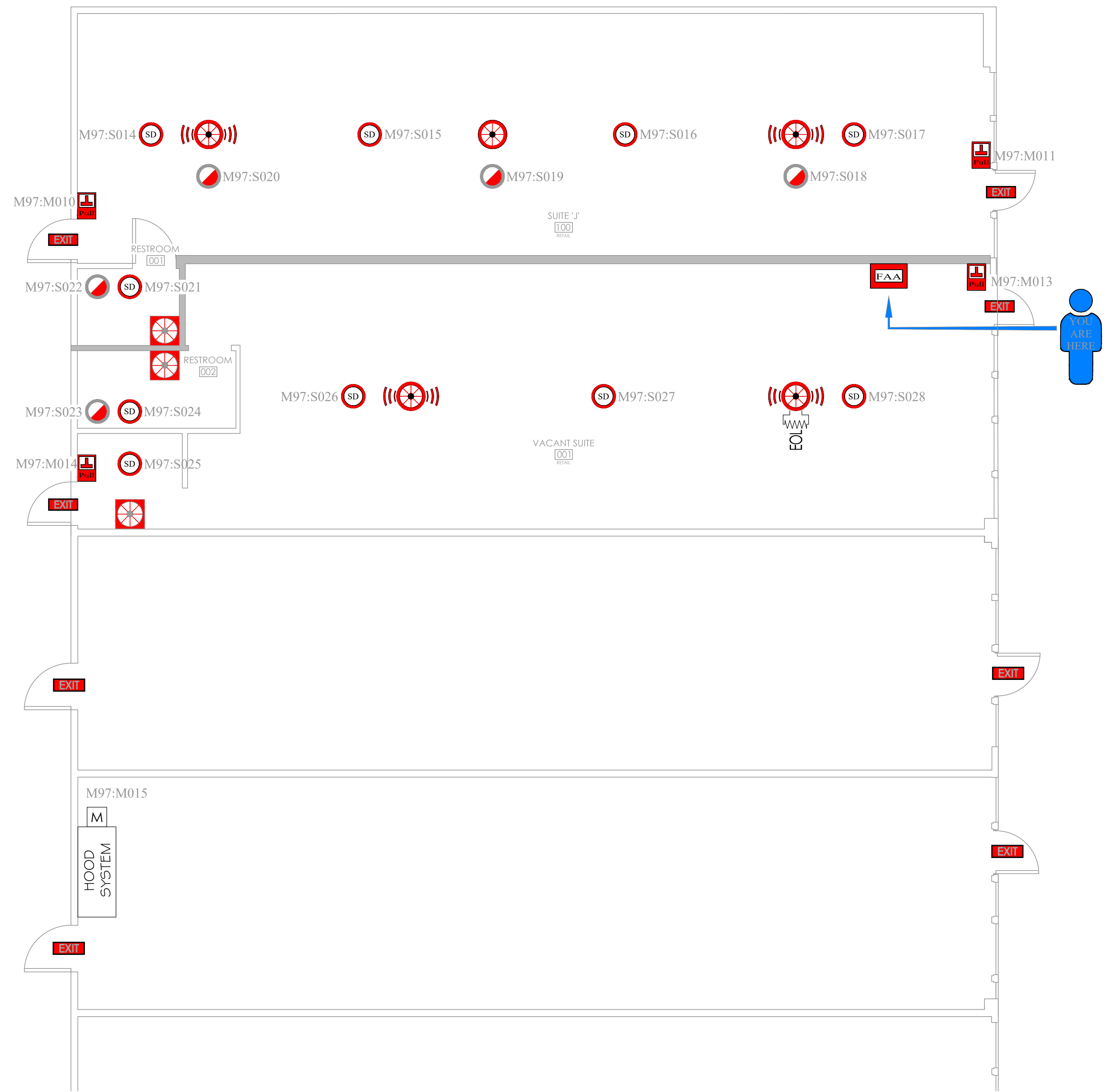
CIRCUIT 4

NAC Circuit4	0.263 AMPS	CLASS B	AWG	2 Devices	0.263 AMPS USED	0.02 VOLTAGE DROP
--------------	------------	---------	-----	-----------	-----------------	-------------------

#	Device Model	Candela	Pattern	Volume	Tone	CURRENT (AMPS)	Dist from prev device	Volts
1	HRK		Temporal	High	Electromechanical	0.069	12	20.38
2	P2WK	95	Temporal	High	Electromechanical	0.194	2	20.38



Graphic Maps



Project Name:

**MERIDIAN PLACE
SHOPPING CENTER
4423 S. MERIDIAN
PUYALLUP, WA**

LEGEND

SYMBOL	
	FIRE ALARM ANNUNCIATOR
	FIRE ALARM PULL STATION
	CEILING MOUNT HORN STROBE
	CEILING MOUNT STROBE
	WALL MOUNT STROBE
	SMOKE DETECTOR
	HEAT DETECTOR -- ROR
	HEAT DETECTOR -- FIXED



Cut Sheets - Fire Alarm Panels

IFP-300 / IFP-300B

Intelligent Fire Alarm Control Panel

The IFP-300 (red) and IFP-300B (black) are intelligent analog/addressable fire alarm control panels (FACP). The basic IFP-300 panel contains one built in signaling line circuit (SLC), which can support 159 (IDP/SK) System Sensor® sensors and 159 IDP/SK modules or 127 (SD) Hochiki® devices per loop. Additional SLC loops can be added using the model 6815 SLC expander for SK/IDP devices to increase the overall point capacity to a maximum of 300 points per panel, or model 5815XL for SD devices to increase the overall point capacity to a maximum of 254 points per panel.

IFP-300 has the interconnection capability for up to 32 panels. The system has two modes of operation, multiple panels covering one larger building, or multiple independent buildings. To network panels together use the SK-NIC network interface card. Copper wire or fiber optic cable panel connectivity can be used within the same networked system.

IFP-300 has a built-in dual phone line, digital alarm communicator/transmitter (DACT), IP or optional cellular technologies, Form C trouble relay, and two programmable Form C relays. IFP-300 has powerful features such as detector sensitivity, day/night thresholds, drift compensation, pre-trouble maintenance alert, and calibration trouble alert.

The IFP-300 supports a variety of devices, including RA-2000, RA-1000 or RA-100 remote annunciator, 5824 serial/parallel printer interface module (for printing system reports), RPS-1000 power module, and IDP, SK or SD devices.



IFP-300B

FEATURES & BENEFITS

- Network support for up to 32 Sites
- Built-in support for up to 159 IDP/SK detectors and 159 IDP/SK modules or 127 SD SLC devices
- Four line LCD display with 40 characters per line
- Available in a red or black cabinet
- IFP-300 can be surface or flush mounted
- Built-in USB interface for convenient and quick programming
- Firmware can be upgraded in the field
- Network card allows copper network connection with a multi-mode or single-mode fiber connection option
- Built-in dual phone line, digital alarm communicator/transmitter (DACT), IP or optional cellular technologies
- JumpStart AutoProgramming® feature for easy programming
- Supports up to four SWIFT wireless gateways. Each gateway can have up to 49 wireless devices
- Supports Class B (Style 4) and Class A (Style 6 or Style 7) configuration for SLC, and SBUS.
- Built in synchronization for appliances from AMSECO, Gentex®, System Sensor®, and Wheelock

IFP-300 Technical Specifications

PHYSICAL:

Overall Dimensions: 26.4"H x 16.4"W x 4.11"D

Weight: 45 lbs.

Color: Red or Black

ENVIRONMENTAL

Operating Temperature: 32°F to 120°F (0°C to 49°C)

Humidity: 0 to 93% relative humidity (non-condensing)

ELECTRICAL:

IFP-300 Primary AC: 120VAC @ 60 Hz, 3.3A Total Accessory Load: 6A @ 24VDC power-limited

Standby Current: 190mA

Alarm Current: 250mA

Battery Charging Capacity: 17 to 55AH

Battery Size: 18AH max. allowed in control panel cabinet. Larger capacity batteries can be housed in RBB accessory cabinet.

AGENCY LISTINGS AND APPROVALS

NFPA 13, NFPA 15, NFPA 16, NFPA 70, & NFPA 72: Central Station; Remote Signalling; Local Protective Signalling Systems; Auxiliary Protected Premises Unit; & Water Deluge Releasing Service

UL Listed

CSFM: 7165-0559:0504

FDNY: COA#6245

Seismic (CA) (pending)

FM approved

APPROVED RELEASING SOLENOIDS

Asco T8210A107 24 VDC 3 A max 0 Hz

Asco 8210G207 24 VDC 3 A max 0 Hz

COMPATIBLE DEVICES

See the data sheets listed below for a complete listing of the IDP, SK, SWIFT or SD devices.

350361: IDP Device Protocol data sheet

53623: SK Device Protocol data sheet

350360: SD Device Protocol data sheet

350615 & 350617: SWIFT devices data sheet

ORDERING INFORMATION

IFP-300: Intelligent Fire Alarm Control Panel, Red Cabinet.

IFP-300B: Intelligent Fire Alarm Control Panel Black Cabinet.

SBUS ACCESSORIES

RA-2000, RA-1000, RA-1000R, RA-100, RA-2000GRAY: Remote annunciators

6815: Signal Line Circuit (SLC) Expander for IDP or SK devices

5815XL: Signal Line Circuit (SLC) Expander for SD devices

RPS-1000: Power Supply

5496: NAC Expander

5824: Serial/Parallel Module

5880: LED I/O Module

5865-3 or 5865-4: LED Annunciator

5883: Relay Interface

MISCELLANEOUS ACCESSORIES

HFSS: Software Suite. Provides programming, upload/download and event reporting

RBB: Remote Battery Box Cabinet. Use for backup batteries up to 35 AH. Dimensions: 16" W x 10" H x 6" D

SK-SCK: Seismic Compliance Kit

SK-NIC: Network Interface Card

SK-NIC-KIT: Installation Accessory Kit

SK-FML: Fiber-Optic Multi Mode, transmitter and receiver

SK-FSL: Fiber-Optic Single Mode

CELL-MOD: Cellular Communicator in Plastic Enclosure

CELL-CAB-SK: Cellular Communicator in Metal Enclosure with lock and key

For a complete listing of all compliance approvals and certifications, please visit www.farenhyt.com.

Microsoft, Windows, and the Windows Logo are registered trademarks or trademarks of Microsoft Corporation.

SWIFT® and Honeywell® are registered trademarks of and Farenhyt™ is a trademark of Honeywell International, Inc.

This document is not intended to be used for installation purposes. We try to keep our product information up-to date and accurate. We cannot cover all specific applications or anticipate all requirements. All specifications are subject to change without notice.

For Technical Support, Please call 800-446-6444.

For more information

Learn more about Honeywell's Farenhyt Series and other products available by visiting www.farenhyt.com

Honeywell Farenhyt

12 Clintonville Road
Northford, CT 06472
800-328-0103

351603 | A | 11/17
© 2017 Honeywell International Inc.

Honeywell



Cut Sheets - Remote Annunciator Panel



Not Applicable to this Project



Cut Sheets - Power Supplies



Not Applicable to this Project



Cut Sheets - Initiating Devices

Farenhyt IDP-PHOTO-W Series

Intelligent Plug-in Photoelectric Smoke Detectors

Honeywell's IDP-PHOTO-W Series intelligent plug-in smoke detectors are designed for both performance and aesthetics. A new modern, sleek, contemporary design and enhanced optical sensing chamber is engineered to sense smoke produced by a wide range of combustion sources in accordance with more stringent code standards.

The IDP-PHOTO-W Series detector sensitivity can be programmed in the control panel software. Sensitivity is continuously monitored and reported to the panel. Point ID capability allows each detector's address to be set with rotary, decimal address switches, providing exact detector location for selective maintenance when chamber contamination reaches an unacceptable level.

Dual electronic thermistors add 135°F (57°C) fixed temperature thermal sensing on the IDP-PHOTO-T. The IDP-PHOTO-R is a remote test capable detector for use with DNR Series duct detector housings



IDP-PHOTO-W in B300-6 base

FEATURES & BENEFITS

- New modern profile for improved aesthetics
- Stable communication technique with noise immunity
- Low standby current
- Two-wire SLC connection
- Optional remote, single-gang LED accessory
- Dual LED design provides 360° viewing angle
- Remote test feature from the panel
- Built-in functional test switch activated by external magnet
- Built-in tamper-resistant feature
- Sealed against back pressure
- Expanded color options
- SEMS screws for wiring of the separate base
- Optional relay, isolator, and sounder bases
- Plugs into separate base for ease of installation and maintenance

DETECTOR SPACING AND APPLICATIONS

Honeywell recommends spacing detectors in compliance with NFPA 72. In low airflow applications with smooth ceiling, space detectors 30 feet (9m). For specific information regarding detector spacing, placement, and special applications refer to NFPA 72. System Smoke Detector Application Guide, document A05-1003, is available at systemsensor.com

INSTALLATION

The IDP-PHOTO-W Series plug-in detectors use a separate base to simplify installation, service, and maintenance. Installation instructions are shipped with each detector.

Mount base (all base types) on an electrical backbox which is at least 1.5" (3.81 cm) deep.

NOTE:

- Because of the inherent supervision provided by the SLC loop, end-of-line resistors are not required. Wiring "T-taps" or branches are permitted for Style 4 (Class "B") wiring.
- When using relay or sounder bases, consult the installation sheet for device limitations between isolator modules and isolator bases.

ORDERING INFORMATION

NOTE: Detectors must be mounted to one of the Intelligent Bases listed below

IDP-PHOTO-W: White, low-profile intelligent photoelectric sensor.

IDP-PHOTO-IV: Ivory, low-profile intelligent photoelectric sensor.

IDP-PHOTO-T-W: White, same as the IDP-PHOTO-W, but includes a built-in 135°F (57°C) fixed-temperature thermal device.

IDP-PHOTO-T-IV: Same as IDP-PHOTO-T but in Ivory.

IDP-PHOTO-R-W: White, low-profile intelligent photoelectric sensor, remote test capable. For use with DNR/DNRW..

IDP-PHOTO-R-IV: Ivory, low-profile intelligent photoelectric sensor, remote test capable. For use with DNR/DNRW.

INTELLIGENT BASES

B300-6: White, standard flanged low-profile mounting base.

B300-6-BP: Bulk pack of B300-6, package contains 10.

B300-6-IV: Ivory, standard flanged low-profile mounting base.

B501-WHITE: White, standard European flangeless mounting base. UL listed.

B501-BL: Black, standard European flangeless mounting base. UL listed.

B501-IV: Ivory, standard European flangeless mounting base. UL listed.

B200S-WH: White, Intelligent, programmable sounder base.

B200S-IV: Ivory, Intelligent, programmable sounder base.

B200SR-WH: White, Intelligent sounder base for retrofit applications.

B200SR-IV: Ivory, Intelligent sounder base for retrofit applications.

B200S-LF-WH: White, Low Frequency Intelligent, programmable sounder base.

B200S-LF-IV: Ivory, Low Frequency Intelligent, programmable sounder base.

B200SR-LF: White, Low Frequency Intelligent sounder base for retrofit applications.

B200SR-LF-IV: Ivory, Low Frequency Intelligent sounder base for retrofit applications.

B224RB-WH: White, plug-in System Sensor relay base.

B224RB-IV: Ivory, plug-in System Sensor relay base.

B224BI-WH: White, plug-in System Sensor isolator detector base.

B224BI-IV: Ivory, plug-in System Sensor isolator detector base.

ACCESSORIES

TR300: White, replacement flange for B210LP and B300-6 bases.

TR300-IV: Ivory, replacement flange for B210LP and B300-6 bases.

RA100Z: Remote LED annunciator. 3 – 32 VDC. Mounts to a U.S. single-gang electrical box. For use with B501 and B300(A)-6 bases only.

M02-04-00: Test magnet.

M02-09-00: Test magnet with telescoping handle.

CK300: White, detector color kit. Pack of 10.

CK300-IV: Ivory, detector color kit. Pack of 10.

CK300-BL: Black, detector color kit. Pack of 10.

Farenhyt IDP-PHOTO-W Series Technical Specifications

PHYSICAL

Height: 2.0" (51mm) installed in B300-6 base

Diameter: 6.2" (156mm) installed in B300-6 base
4.1" (104 mm) installed in B501 base

Weight: 3.4 oz (95 g)

ENVIRONMENTAL

Operating Temperature range:

Photo: 32°F to 122°F (0°C to 50°C)

Photo with Thermal: 32°F to 100°F (0°C to 38°C)

Thermal Ratings: Fixed Temperature Set point:
135°F (57°C)

Sensitivity: UL Applications: 0.5% to 4.0% per foot obscuration.

ELECTRICAL RATINGS

Voltage Range: 15 to 32VDC peak

Operating Current @ 24VDC: 200µA (one communication every 5 seconds with green LED blink on communication)

Maximum Current: 4.5mA @ 24VDC (one communication every 5 seconds with amber LED solid on).

COMPATIBILITY

The IDP-PHOTO-W series detectors are compatible with the following Farenhyt Series

FACPs:

- IFP-2100 / IFP-2100ECS / RFP-2100
- IFP-2000 / IFP-2000ECS / RPS-2000
- IFP-1000 / IFP-1000ECS
- IFP-300 / IFP-300ECS
- IFP-100 / IFP-100ECS
- IFP-75
- IFP-50

AGENCY LISTINGS AND APPROVALS

For exact certification listings for each model, please reference the respective agency Web site.

UL listed: S6173

FM approved

CSFM: 7272-0559:0512

For a complete listing of all compliance approvals and certifications, please visit www.farenhyt.com.

Microsoft, Windows, and the Windows Logo are registered trademarks or trademarks of Microsoft Corporation.

Honeywell® and System Sensor® are registered trademark of and Farenhyt™ is a trademark of Honeywell International, Inc.

This document is not intended to be used for installation purposes. We try to keep our product information up-to date and accurate. We cannot cover all specific applications or anticipate all requirements. All specifications are subject to change without notice.

For Technical Support, Please call 800-446-6444.

For more information

Learn more about Honeywell's Farenhyt Series and other products available by visiting www.farenhyt.com

Honeywell Farenhyt

12 Clintonville Road
Northford, CT 06472
800-328-0103

IDP-PULL-SA / IDP-PULL-DA

Addressable Single Action and Dual Action Pull Stations

The IDP-PULL-SA is a single action pull station requiring only one motion to activate the station. The IDP-PULL-DA is a dual action pull station requiring two motions to activate the station. Both pull stations are designed to work with Honeywell Farenhyt series fire alarm control panels (FACPs).

INSTALLATION

The IDP-PULL-SA and IDP-PULL-DA can be surface mounted to an SB-I/O surface back box or semi-flush mounted on a standard single-gang with a minimum depth of 2.13"(5.40 cm) or double gang or 4" (10.61 cm) square electrical box. You can also use the optional (System Sensor® PN BG-TR) trim ring if the station is being semi-flush mounted.

COMPATIBILITY

The IDP-PULL-SA and IDP-PULL-DA are compatible with the following Honeywell Farenhyt Series FACPs:

- IFP-2100 / IFP-2100ECS / RFP-2100
- IFP-2000 / IFP-2000ECS / RPS-2000
- IFP-1000 / IFP-1000ECS
- IFP-300 / IFP-300ECS
- IFP-100 / IFP-100ECS
- IFP-75
- IFP-50



IDP-PULL-SA

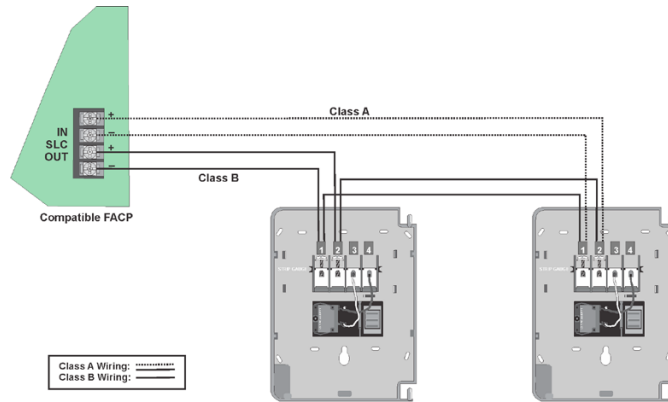


IDP-PULL-DA

FEATURES & BENEFITS

- Installer can open station without causing an alarm condition
- Dual-color LED is visible through handle of station blinks green to indicate normal operation and remains steady red in an alarm condition
- Key operated test and reset lock using lock plate actuator
- Key matches compatible FACP locks
- Meets ADA requirement for 5 lbs maximum pull force to active
- Meets the Americans with Disabilities Act Accessibility Guidelines (ADAAG) controls and operating mechanisms guidelines (Section 4.1.3[13])
- Shell, door, and handle molded from durable LEXAN®
- Reliable analog communications for trouble-free operation
- Braille text on station handle
- Rotary address switches for fast installation
- Handle latches in down position and the word Activated appears, clearly indicating the station has been pulled
- UL Listed, including UL 38, Standard of Manually Actuated Signaling System
- CSFM Listed
- MEA Listed

IDP-PULL-SA and IDP-PULL-DA Technical Specifications



Wiring IDP-Pull-SA & IDP-Pull-DA Pull Stations

SPECIFICATIONS*

Physical: 5.5" H x 4" D (14cm x 10.2cm)

Shipping Weight: 5.4oz

Housing Material: LEXAN polycarbonate resin

Bi-Colored LED:

Blinking Green: Normal

Steady Red: Alarm

Switch: Single pole, single throw (SPST) normally open (N/O) switch which closes upon activation of the pull station

ELECTRICAL RATINGS

Operating Voltage: 15 – 32VDC

SLC Standby and Alarm Current: 350 μ A

Wire Gauge: Up to 12AWG (3.1 mm²)

ENVIRONMENTAL

Operating Temperature: 32°-120°F (0°C – 49°C)

Humidity: 10 to 93% non-condensing)

ORDERING INFORMATION

IDP-Pull-SA: Single Action Pull Station

IDP-Pull-DA: Dual Action Pull Station

ACCESSORIES

BG-TR: Optional trim ring.

SB-I/O: Surface backbox, indoor/outdoor.

* Unless otherwise noted, specifications apply to IDP-Pull-SA and IDP-Pull-DA

For a complete listing of all compliance approvals and certifications, please visit www.farenhyt.com.

Microsoft, Windows, and the Windows Logo are registered trademarks or trademarks of Microsoft Corporation.

Honeywell® and System Sensor® are registered trademarks of and Farenhyt™ is a trademark of Honeywell International, Inc.

This document is not intended to be used for installation purposes. We try to keep our product information up-to-date and accurate. We cannot cover all specific applications or anticipate all requirements. All specifications are subject to change without notice.

For Technical Support, Please call 800-446-6444.

For more information

Learn more about Honeywell's Farenhyt Series and other products available by visiting www.farenhyt.com

Honeywell Security & Fire

12 Clintonville Road
Northford, CT 06472
800-328-0103

Doc 350286 | Rev H | 11/17
© 2017 Honeywell International Inc.

Honeywell



Cut Sheets - Notification Appliances



Outdoor Selectable-Output Strobes and Horn Strobes for Ceiling Applications

SpectrAlert® Advance outdoor audible visible products are rich with features that cut installation times and maximize profits.



Features

- Weatherproof NEMA 4X, IP56 rated
- Listed to UL 1638 (strobe) and UL 464 (horn)
- Compatible with System Sensor synchronization protocol and legacy SpectrAlert products
- Field-selectable candela settings: 15, 15/75, 30, 75, 95, 110, 115, 135, 150, 177, and 185
- Automatic selection of 12- or 24-volt operation at 15 and 15/75 candela
- Rotary switch for horn tone and three volume selections
- Horn rated at 88+ dBA at 16 volts
- Rated from -40°F to 151°F
- Universal mounting plate with an onboard shorting spring that tests wiring continuity before devices are installed
- Plug-in design with minimal intrusion into the back box
- Tamper-resistant construction
- Listed for ceiling or wall mounting

Agency Listings



S4011 (chimes, horn strobes, horns)
S3593 (outdoor and alert strobes)



3023572



MEA452-05-E



7300-1653-187 (outdoor strobes)
7125-1653-188 (horn strobes,
chime strobes)
7135-1653-189 (horns, chimes)

SpectrAlert Advance offers the broadest line of outdoor horns, strobes, and horn strobes in the industry. With white or red plastic housings, wall or ceiling mounting options, and plain or FIRE-printed devices, SpectrAlert Advance can meet virtually any application requirement, including indoor, outdoor, wet, and dry applications in temperatures from -40°F to 151°F.

Like the entire SpectrAlert Advance line, outdoor strobes and horn strobes for ceiling applications include a variety of features that increase application flexibility and simplify installation. First, field-selectable settings, including candela, automatic selection of 12- or 24-volt operation, horn tones, and three volume options enable installers to easily adapt devices to meet requirements.

Next, SpectrAlert Advance devices use a universal mounting plate for both wall and ceiling applications. This mounting plate includes an onboard shorting spring that ensures wiring continuity before devices are installed, so installers can verify proper wiring without mounting the devices and exposing them to potential construction damage. Once the plates are mounted, all SpectrAlert Advance devices utilize a plug-in design with a single captured screw to speed installation and virtually eliminate costly ground faults.

Outdoor devices ship with weatherproof plastic back boxes (metal back boxes are available separately) that accommodate in-and-out wiring for daisy chaining devices. Plastic back boxes feature removable side flanges and improved resistance to saltwater corrosion. Plastic and metal weatherproof back boxes come with 3/4-inch top and bottom conduit entries and 3/4-inch knock-outs at the back. Three screw-in NPT plugs with O-ring gaskets for a watertight seal is included with each back box.

SpectrAlert Advance Outdoor Strobe, and Horn Strobe Specifications

Architect/Engineer Specifications

General

SpectrAlert Advance outdoor horns, strobes, and horn strobes shall mount to a weatherproof back box. A universal mounting plate shall be used for mounting ceiling and wall products. The notification appliance circuit wiring shall terminate at the universal mounting plate. Also, SpectrAlert Advance products, when used with the Sync•Circuit™ Module accessory, shall be powered from a non-coded notification appliance circuit output and shall operate on a nominal 12 or 24 volts. When used with the Sync•Circuit Module, 12-volt-rated notification appliance circuit outputs shall operate between 8.5 and 17.5 volts; 24-volt-rated notification appliance circuit outputs shall operate between 16.5 and 33 volts. Outdoor SpectrAlert Advance products shall operate between –40 and 151 degrees Fahrenheit from a regulated DC or full-wave rectified unfiltered power supply. Strobes and horn strobes shall have field-selectable candela settings including 15, 15/75, 30, 75, 95, 110, 115, 135, 150, 177, and 185.

Strobe

The strobe shall be a System Sensor SpectrAlert Advance Model _____ listed to UL 1638 and shall be approved for fire protective service. The strobe shall be wired as a primary-signaling notification appliance and comply with the Americans with Disabilities Act requirements for visible signaling appliances, flashing at 1 Hz over the strobe's entire operating voltage range. The strobe light shall consist of a xenon flash tube and associated lens/reflector system. The strobe must be installed with its weatherproof back box in order to remain outdoor approved per UL. The strobe shall be suitable for use in wet environments.

Horn Strobe Combination

The horn strobe shall be a System Sensor SpectrAlert Advance Model _____ listed to UL 1638 and UL 464 and shall be approved for fire protective service. The horn strobe shall be wired as a primary-signaling notification appliance and comply with the Americans with Disabilities Act requirements for visible signaling appliances, flashing at 1 Hz over the strobe's entire operating voltage range. The strobe light shall consist of a xenon flash tube and associated lens/reflector system. The horn shall have three audibility options and an option to switch between a temporal three pattern and a non-temporal (continuous) pattern. These options shall be set by a multiple position switch. On four-wire products, the strobe shall be powered independently of the sounder. The horn strobe on a 2-wire model shall work on a non-coded power supply. The horn on 4-wire horn strobe models shall operate on a coded or non-coded power supply. The horn strobe must be installed with its weatherproof back box in order to remain outdoor listed per UL. The horn strobe shall be suitable for use in wet environments.

Physical/Electrical Specifications

Operating Temperature	–40°F to 151°F (–40°C to 66°C)
Strobe Flash Rate	1 flash per second
Nominal Voltage	Regulated 12 DC/FWR or regulated 24 DC/FWR ¹
Operating Voltage Range²	8 to 17.5 V (12 V nominal) or 16 to 33 V (24 V nominal)
Operating Voltage Range with MDL3 Sync Module	8.5 to 17.5V (12 V nominal) or 16.5 to 33V (24 V nominal)
Input Terminal Wire Gauge	12 to 18 AWG
Ceiling-Mount Dimensions (including lens)	6.8" diameter × 2.5" high (173 mm diameter × 64 mm high)
Strobe / Horn Strobe Dimensions	5.6" L × 4.7" W × 1.3" D (142 mm L × 119 mm W × 33 mm D)
Strobe / Horn Strobe Dimensions with Back Box	5.6" L × 4.7" W × 1.3" D (142 mm L × 119 mm W × 33 mm D)
Ceiling-Mount Weatherproof Back Box Dimensions	7.1" diameter × 2.0" high (180 mm diameter × 51 mm high)

Notes:

1. Full Wave Rectified (FWR) voltage is a non-regulated, time-varying power source that is used on some power supply and panel outputs.
2. Products will operate at 12 V nominal only for 15 and 15/75 cd.

UL Current Draw Data

UL Max. Strobe Current Draw (mA RMS)						UL Max. Horn Current Draw for 4-Wire Horn Strobes (mA RMS)					
	Candela	8–17.5 Volts		16–33 Volts		Sound Pattern	dB	8–17.5 Volts		16–33 Volts	
		DC	FWR	DC	FWR			DC	FWR	DC	FWR
Standard Candela Range	15	123	128	66	71	Temporal	High	57	55	69	75
	15/75	142	148	77	81	Temporal	Medium	44	49	58	69
	30	NA	NA	94	96	Temporal	Low	38	44	44	48
	75	NA	NA	158	153	Non-Temporal	High	57	56	69	75
	95	NA	NA	181	176	Non-Temporal	Medium	42	50	60	69
	110	NA	NA	202	195	Non-Temporal	Low	41	44	50	50
	115	NA	NA	210	205	Coded	High	57	55	69	75
High Candela Range	135	NA	NA	228	207	Coded	Medium	44	51	56	69
	150	NA	NA	246	220	Coded	Low	40	46	52	50
	177	NA	NA	281	251						
	185	NA	NA	286	258						

UL Max. Current Draw (mA RMS), 2-Wire Horn Strobe, Standard Candela Range (15–115 cd)									
DC Input	8–17.5 Volts			16–33 Volts					
	15	15/75	15	15/75	30	75	95	110	115
Temporal High	137	147	79	90	107	176	194	212	218
Temporal Medium	132	144	69	80	97	157	182	201	210
Temporal Low	132	143	66	77	93	154	179	198	207
Non-Temporal High	141	152	91	100	116	176	201	221	229
Non-Temporal Medium	133	145	75	85	102	163	187	207	216
Non-Temporal Low	131	144	68	79	96	156	182	201	210
FWR Input									
Temporal High	136	155	88	97	112	168	190	210	218
Temporal Medium	129	152	78	88	103	160	184	202	206
Temporal Low	129	151	76	86	101	160	184	194	201
Non-Temporal High	142	161	103	112	126	181	203	221	229
Non-Temporal Medium	134	155	85	95	110	166	189	208	216
Non-Temporal Low	132	154	80	90	105	161	184	202	211

UL Max. Current Draw (mA RMS), 2-Wire Horn Strobe, High Candela Range (135–185 cd)									
DC Input	16–33 Volts				FWR Input	16–33 Volts			
	135	150	177	185		135	150	177	185
Temporal High	245	259	290	297	Temporal High	215	231	258	265
Temporal Medium	235	253	288	297	Temporal Medium	209	224	250	258
Temporal Low	232	251	282	292	Temporal Low	207	221	248	256
Non-Temporal High	255	270	303	309	Non-Temporal High	233	248	275	281
Non-Temporal Medium	242	259	293	299	Non-Temporal Medium	219	232	262	267
Non-Temporal Low	238	254	291	295	Non-Temporal Low	214	229	256	262

Candela Derating

For K series products used at low temperatures, listed candela ratings must be reduced in accordance with this table.

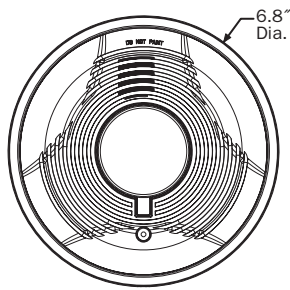
Strobe Output (cd)	
Listed Candela	Candela rating at –40°F
15	Do not use below 32°F
15/75	
30	
75	44
95	70
110	110
115	115
135	135
150	150
177	177
185	185

Horn Tones and Sound Output Data

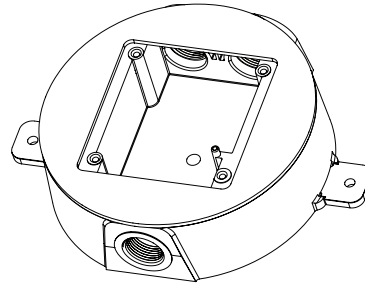
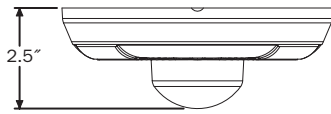
Horn Strobe Output (dBA)												
Switch Position	Sound Pattern	dB	8–17.5 Volts		16–33 Volts		24-Volt Nominal					
			DC	FWR	DC	FWR	Reverberant		Anechoic			
			DC	FWR	DC	FWR	DC	FWR	DC	FWR	DC	FWR
1	Temporal	High	78	78	84	84	88	88	99	98		
2	Temporal	Medium	74	74	80	80	86	86	96	96		
3	Temporal	Low	71	73	76	76	83	80	94	89		
4	Non-Temporal	High	82	82	88	88	93	92	100	100		
5	Non-Temporal	Medium	78	78	85	85	90	90	98	98		
6	Non-Temporal	Low	75	75	81	81	88	84	96	92		
7†	Coded	High	82	82	88	88	93	92	101	101		
8†	Coded	Medium	78	78	85	85	90	90	97	98		
9†	Coded	Low	75	75	81	81	88	85	96	92		

†Settings 7, 8, and 9 are not available on 2-wire horn strobe.

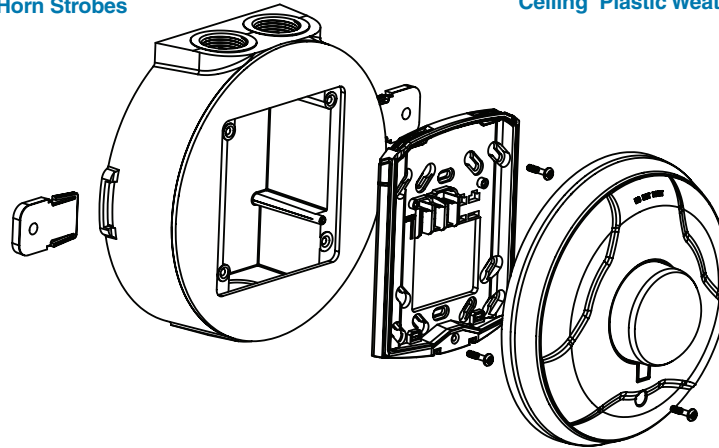
SpectrAlert Advance Diagrams



Ceiling-Mount Horn Strobes



Ceiling Plastic Weatherproof Back Box



Ceiling-Mount Horn Strobe with Plastic Weatherproof Back Box

SpectrAlert Advance Ordering Information

Model	Description
Ceiling Horn Strobes	
PC2RK	2-Wire Horn Strobe, Standard cd, Red, Outdoor (includes plastic weatherproof back box)
PC2RHK	2-Wire Horn Strobe, High cd, Red, Outdoor (includes plastic weatherproof back box)
PC2WK	2-Wire, Horn Strobe, Standard cd, White, Outdoor (includes plastic weatherproof back box)
PC2WHK	2-Wire, Horn Strobe, High cd, White, Outdoor (includes plastic weatherproof back box)
Ceiling Strobes	
SCRK	Strobe, Standard cd, Red, Outdoor (includes plastic weatherproof back box)
SCRHK	Strobe, High cd, Red, Outdoor (includes plastic weatherproof back box)
SCWK	Strobe, Standard cd, White, Outdoor (includes plastic weatherproof back box)
SCWHK	Strobe, High cd, White, Outdoor (includes plastic weatherproof back box)
Accessories	
SA-WBBC	Red, Metal Weatherproof Back Box
SA-WBBCW	White, Metal Weatherproof Back Box
MP120K	

Notes:

"Standard cd" refers to strobes that include 15, 15/75, 30, 75, 95, 110, and 115 candela settings. "High cd" refers to strobes that include 135, 150, 177, and 185 candela settings. **When replacing outdoor units, both the device and back box must be replaced.**



3825 Ohio Avenue • St. Charles, IL 60174
Phone: 800-SENSOR2 • Fax: 630-377-6495

©2015 System Sensor.
Product specifications subject to change without notice. Visit systemsensor.com
for current product information, including the latest version of this data sheet.
AVDS11402 • 02/15



Cut Sheets - Modules

IDP-MONITOR

Addressable Monitor Module

The IDP-MONITOR is an addressable monitor module for use with the Honeywell Farenhyt Series fire alarm control panels (FACPs). The IDP-MONITOR acts as an interface to contact devices, such as waterflow switches and pull stations.

The IDP-MONITOR supports Class A supervised or Class B supervised wiring to the load device. Conventional 4-wire smoke detectors can be monitored for alarm and trouble conditions.

INSTALLATION

The IDP-MONITOR mounts directly into a 4" square electrical box. The box must have a minimum depth of 2-1/8". A surface mount electrical box (System Sensor® PN SMB500) is available from Honeywell.

COMPATIBILITY

The IDP-MONITOR is compatible with the following Honeywell Farenhyt Series FACPs:

- IFP-2100 / IFP-2100ECS / RFP-2100
- IFP-2000 / IFP-2000ECS / RPS-2000
- IFP-1000 / IFP-1000ECS
- IFP-300 / IFP-300ECS
- IFP-100 / IFP-100ECS
- IFP-75
- IFP-50



IDP-MONITOR

FEATURES & BENEFITS

- Isolates short circuits on an SLC loop
- Protects the modules on the SLC loop so other devices continue to operate
- Panel controlled status LED that flashes green in normal state and is solid red in alarm
- Standard 4 inch electrical box mounting
- SEMS screws for easy wiring
- UL Listed
- CSFM Listed
- MEA Listed 427-91-E Vol. X

IDP-MONITOR Technical Specifications

PHYSICAL

4.5" H x 4" W x 1.25 D (11.4 x 10.2 x 3cm)

Shipping Weight: 6.3oz (196g)

ELECTRICAL RATINGS

Operating Voltage: 15 – 32VDC

Current Draw (LED on): 5.0mA max

Operating Current (LED flashing): 375 μ A

Standby Current: 400 μ A max @ 24 VDC (one communication every 5 sec with 47K EOL); 550 μ A max @ 24 VDC (one communication every 5 sec with EOL <1K)

5.5 mA (with LED latched on)

LED Current: 5.5 mA (with LED latched on)

End-of-Line Resistance: 47K Ω

Initiating Device Circuit Wiring Resistance: 1,500 Ω max

SLC Loop Resistance: 40 Ω max.

ENVIRONMENTAL

Operating Temperature: 32°-120°F (0°C – 49°C)

Humidity: 10 to 93% non-condensing)

ORDERING INFORMATION

IDP-MONITOR: Monitoring Module

ACCESSORIES

SMB500: 4" Square surface mount electrical box

For a complete listing of all compliance approvals and certifications, please visit www.farenhyt.com.

Microsoft, Windows, and the Windows Logo are registered trademarks or trademarks of Microsoft Corporation.

Honeywell® and System Sensor® are registered trademarks of and Farenhyt™ is a trademark of Honeywell International, Inc.

This document is not intended to be used for installation purposes. We try to keep our product information up-to-date and accurate. We cannot cover all specific applications or anticipate all requirements. All specifications are subject to change without notice.

For Technical Support, Please call 800-446-6444.

For more information

Learn more about Honeywell's Farenhyt Series and other products available by visiting www.farenhyt.com

Honeywell Security & Fire

12 Clintonville Road
Northford, CT 06472
800-328-0103

Doc 350288 | Rev KI 11/17
© 2017 Honeywell International Inc.

Honeywell



Cut Sheets - Misc. Equipment



Not Applicable to this Project



File No: **S9042** CCN: **UUFX**
Service Center No: **1**
Expires: **12/31/2021**
Issued: **10/23/2020**

CENTRAL STATION - FIRE FIRE ALARM SYSTEM CERTIFICATE (NFPA 72)

THIS CERTIFIES that the *Alarm Service Company* is included by UL LLC in its Directory as qualified to use the *UL Listing Mark* in connection with the certificated *Alarm System*. This Certificate is the *Alarm Service Company's* representation that the *Alarm System* including all connecting wiring and equipment has been installed and will be maintained in compliance with requirements established by UL. This Certificate does not apply in any way to the installation of any additional signaling systems, such as; fire, smoke, waterflow, burglary, holdup, medical emergency, or otherwise, that may be connected to or installed along with the *Certificated Alarm System*. This Certificate does not apply in any way to the communication channel between the protected property and any facility that monitors signals from the protected property unless the use of a UL listed or Classified Alarm Transport Company is specified on the Certificate.

LIMITATION OF LIABILITY: UL LLC makes no representations or warranties, express or implied, that the Alarm System will in all cases prevent any loss by fire, smoke, water damage, burglary, hold-up or otherwise, or that the Alarm System will in all cases provide the protection for which it is installed or intended. By the Alarm Service Company providing this Certificate and the Protected Property acceptance of this Certificate, the Alarm Service Company and the Protected Property acknowledge and agree that UL does not assume or undertake to discharge any liability of the Alarm Service Company or any other party. UL is not an insurer and assumes no liability which may result directly or indirectly from inspection of the equipment, failure of the equipment, failure to conduct inspections, incorrect certification, nonconformity with requirements, failure to discover nonconformity with requirements, cancellation of the Certificate or withdrawal of the Alarm Service Company from inclusion in ULs Directory prior to the expiration date appearing on this Certificate.

OPERATIONAL REQUIREMENTS: The *Alarm Service Company* bears the responsibility for the correctness of the installation; maintenance of the system documentation; periodic system inspection and testing; maintaining and providing any necessary repairs. All operations and maintenance shall be conducted in the manner prescribed by the NFPA standard referenced. All required service is to be provided for in an appropriate contract. System documentation is defined to include any "As Built Drawings"; the records of any "Acceptance Testing"; and the records of all periodic system testing and maintenance.

SYSTEM DESCRIPTION: This system is installed and operated in accordance with standard NFPA 72,2002 edition.

Area Covered: ENTIRE BUILDING
Authority Having Jurisdiction: WA=Central Pierce Fire District
Responding Fire Department: PUYALLUP FIRE DEPARTMENT

SYSTEM DEVIATIONS FROM REFERENCED NFPA STANDARDS

NONE

Protected Property:

**MERIDIAN MARKET
4301 S MERIDIAN
PUYALLUP, WA 98373**

Alarm Service Company:

**SMITH FIRE SYSTEMS, INC
1106 54TH AVE E
TACOMA WA 98424**

SN: FC112626237



File No: **S9042** CCN: **UUFX**
Service Center No: **1**
Expires: **12/31/2021**
Issued: **10/23/2020**
Entry No: **5650374** Version: **7**

CENTRAL STATION - FIRE FIRE ALARM SYSTEM CERTIFICATE DESCRIPTION FOR Certificate Serial No: FC112626237

Protected Property:

**MERIDIAN MARKET
4301 S MERIDIAN
PUYALLUP, WA 98373**

Alarm Service Company:

**SMITH FIRE SYSTEMS, INC
1106 54TH AVE E
TACOMA WA 98424**

Comments and Clarifications:

ENTIRE BUILDING

System Description:

Area Covered: ENTIRE BUILDING
Authority Having Jurisdiction: WA=Central Pierce Fire District
Responding Fire Department: PUYALLUP FIRE DEPARTMENT
Testing and Maintenance Contract date: 10/23/2006

SYSTEM DEVIATIONS FROM REFERENCED NFPA STANDARDS

NONE

Automatic Fire Detection and Alarm Service

Coverage is Total

140 - Smoke Detectors : 0 - Ionization 140 - Photoelectric
12 - Duct Smoke Detectors : 0 - Ionization 12 - Photoelectric
51 - Heat Detectors : 4 - ROR (Rate of temperature rise) 47 - Fixed Temperature 0 - Combination

Sprinkler System Waterflow Alarm and Supervisory Service

Sprinkler System Type: Combination Wet and Dry Pipe

2 - Waterflow Switches
3 - Sprinkler Valve Supervisory Services
1 - Water Pressure Device
1 - Air Pressure Device

Manual Fire Alarm and Guard's Tour Supervisory Service

15 - Manual Fire Alarm Boxes

Alarm Notification and Annunciation Devices

23 - Visual Signals : Type - Strobe
1 - Bell
39 - Audible/Visual Signals : Type - Strobe

Control and Transmitter Unit

SILENT KNIGHT IFP-1000



File No: **S9042** CCN: **UUFX**
Service Center No: **1**
Expires: **12/31/2021**
Issued: **10/23/2020**
Entry No: **5650374** Version: **7**

CENTRAL STATION - FIRE
FIRE ALARM SYSTEM CERTIFICATE DESCRIPTION
FOR Certificate Serial No: FC112626237

Remote Monitoring

UL Listed Central Station
File: S3955, Service Center Number: 0
AVANTGUARD MONITORING CENTERS LLC
4699 HARRISON BLVD, SUITE 100
OGDEN UT 84403

Alarm Retransmission to Fire Department

Public Telephone Network and 911 Emergency Services

Alarm Transmission Method: Digital Alarm Communicator

