



## Building Systems Submittal Package

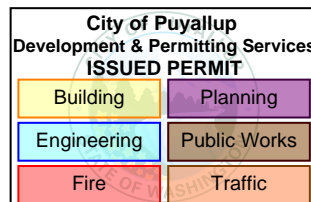
**Good Samaritan Hospital  
401 15th Ave SE  
Puyallup, WA**

## Body Holding Renovation TI Fire Alarm System

**Revision Date: 7/26/2022**

**Johnson Controls Fire Protection  
9520 10th Avenue South, Suite 100  
Seattle, WA 98108  
Phone: 206-291-1400  
Fax: 206-291-1500  
[www.JohnsonControls.com](http://www.JohnsonControls.com)**

**Precision Electric Group  
15301 NE 90th St, Suite 150  
Redmond, WA 98052  
Phone: 425-823-8600**





**This Page Left Blank Intentionally**



## **Table of Contents**

- Section I:           Scheduling/Installation Checklist**
- Section II:          Hardware Warranty**
- Section III:         Manufacturer's Recommendation**
- Section IV:         Testing Procedure for Devices**
- Section V:          Equipment List & Equipment Datasheets**



**This Page Left Blank Intentionally**



## Scheduling

Thank you for working with Johnson Controls on this project. We would like to take this opportunity to introduce you to the project team. **BRYAN REIMER** is the Johnson Controls Project Manager assigned to this project to help with generic project information. **SCOTT HAYNES** is the project system specialist to assist with drawings/design questions. **YVONNE THOMPSON** is available for scheduling technicians.

Office: (206) 291-1400

Fax: (206) 291-1500

In an effort to assist you in your installation we require you to arrange a Pre-Construction meeting with one of our Technicians. This meeting will allow your field foreman to ask any questions they may have in regard to the installation of your system. Based on the equipment quantities and current scope of work our Technician will need no less than **30** business days to complete all necessary programming and commissioning from the time the below checklist is complete prior to any AHJ testing. Please make sure this time is allowed for in the General Construction CPM schedule as it cannot be compressed. Change orders, change of scope, etc. may require additional time allotment to field personnel.

## Installation Checklist

Johnson Controls is committed to providing the highest quality service available. As part of this service we want to ensure that the installation results in a trouble-free system. Please review the Checklist below and ensure each item is complete prior to our site visit.

A Technician will be dispatched only after the below checklist items have been completed. If these items are not completed prior to the visit by our technician, you may incur additional charges not covered by our quotation. Please feel free to contact our office if you have any questions.

- Fire Alarm Panel(s) have been mounted and all wiring (power, IDNET, signal, door-holders, etc.) pulled into panel(s).
- All wiring pulled into panel(s) or junction boxes have been permanently marked with wire markers and can easily be identified by a Johnson Controls
- System Power is supplied and on a dedicated circuit (Do Not Energize prior to Technician visit).
- All peripheral devices have been mounted (Smoke Detectors still covered).
- All end-of-line resistors have been installed.
- All alarm initiating circuits (smoke detectors, pull stations, etc.) have been checked for shorts, opens and grounds.
- All alarm notification circuits (speakers, horns, strobes, etc.) have been checked for shorts, opens and grounds.
- All remaining wiring (door-holders, FACP 24VDC, etc.) has been checked.
- Flows, Tamper, and Pressure Switches installed, properly wired and adjusted.
- All devices are properly protected against construction dust and contamination.
- Contact us immediately if there is no digital dialer or system monitoring provisions already in place. The dialer, phone lines and service will be required for system testing.
- There are no missing parts or equipment.



**This Page Left Blank Intentionally**



## Hardware Warranty

- 1) JOHNSON CONTROLS WARRANTY STATEMENT:
  - a) JOHNSON CONTROLS WARRANTS TO THE PURCHASER OF NEW JOHNSON CONTROLS PRODUCT(S) THAT THE PRODUCTS SHALL BE FREE FROM DEFECTS IN WORKMANSHIP AND MATERIAL.
- 2) WARRANTY PERIOD:
  - a) THE WARRANTY PERIOD WILL TERMINATE IMMEDIATELY FOLLOWING THE EARLIEST OCCURRENCE OF EITHER OF THE FOLLOWING:
    - i) 18 MONTHS HAVE ELAPSED FOLLOWING SHIPMENT OF ANY SYSTEM OR SUB-SYSTEM FROM JOHNSON CONTROLS TO THE CUSTOMER, OR
    - ii) 12 MONTHS HAVE ELAPSED FOLLOWING THE FINAL CONNECTION OPERATION AND BENEFICIAL USE OF ALL OR ANY PART OF THE SYSTEM.
    - iii) AS STATED IN THE SPECIFICATIONS AND/OR CONTRACT DRAWINGS
- 3) JOHNSON CONTROLS OBLIGATION UNDER THE TERMS OF THE WARRANTY:
  - a) JOHNSON CONTROLS'S SOLE RESPONSIBILITY SHALL BE TO REPAIR, ADJUST OR REPLACE, AT ITS OPTION, ANY JOHNSON CONTROLS PRODUCT WHICH FAILS DURING THIS PERIOD PROVIDING PURCHASER HAS PROMPTLY REPORTED SUCH FAILURE TO JOHNSON CONTROLS IN WRITING. REPLACEMENT PARTS WILL BE WARRANTED ONLY FOR THE BALANCE OF THE EQUIPMENT WARRANTY. JOHNSON CONTROLS AGREES TO CONTINUE TO HONOR ALL OF THE UNEXPIRED EXPRESSED WARRANTIES SPECIFIED ABOVE ON DEFECTIVE EQUIPMENT AFTER TRANSFER OF THE EQUIPMENT TO PURCHASER'S CUSTOMER, PROVIDED PURCHASER'S CUSTOMER ASSUMES THE PURCHASER'S OBLIGATIONS SPECIFIED BELOW.
  - b) EXCEPT FOR THE EXPRESSED WARRANTIES STATED HEREIN, JOHNSON CONTROLS DISCLAIMS ALL WARRANTIES ON PRODUCTS FURNISHED HEREUNDER, INCLUDING WITHOUT LIMITATION, ALL IMPLIED WARRANTIES OF MERCHANTABILITY AND FITNESS FOR A PARTICULAR PURPOSE, AND THE STATED WARRANTIES ARE IN LIEU OF ALL OBLIGATIONS OR LIABILITIES ON THE PART OF THE JOHNSON CONTROLS ARISING OUT OF OR IN CONNECTION WITH THE PERFORMANCE OF THE PRODUCTS. THE SELLER SHALL NOT BE LIABLE FOR ANY DIRECT, INCIDENTAL OR CONSEQUENTIAL LOSS OR DAMAGE TO THE PRUCHASER OR USER OF THIS EQUIPMENT ARISING OUT OF THE FAILURE OF THE EQUIPMENT TO OPERATE IN EXCESS OF THE PURCHASE PRICE OF SAID EQUIPMENT.
  - c) JOHNSON CONTROLS MAKES NO WARRANTY AND NO WARRANTY SHALL BE DEEMED TO EXIST, THAT PURCHASER HOLDS THE GOODS FREE OF THE CLAIM OF ANY THIRD PERSON BYWAY OF PATENT INFRINGEMENT OR THE LIKE.
- 4) PURCHASER'S OBLIGATIONS UNDER THE TERMS OF THE WARRANTY.
  - a) THIS WARRANTY IS CONTINGENT UPON THE PROPER INSTALLATION AND USE OF THE PRODUCT(S). SUCH WARRANTY SHALL NOT APPLY IF THE PRODUCT FAILURE IS THE RESULT OF ACCIDENT, UNUSUAL PHYSICAL, ELECTRICAL OR ELECTROMECHANICAL STRESS, NEGLIGENCE, MISUSE, USER PROGRAMMING ERRORS, FAILURE OF ELECTRICAL POWER, AIR CONDITIONING OR HUMIDITY CONTROL, CONSTRUCTION DUST, DAMAGING FOREIGN SUBSTANCES, TRANSPORTATION OR CAUSES OTHER THAN MANUFACTURING DEFECT. PURCHASER AGREES TO PROVIDE FULL AND FREE ACCESS TO AUTHORIZED JOHNSON CONTROLS EMPLOYEES.
  - b) WARRANTY SERVICE HOURS
    - i) SERVICES PROVIDED UNDER THIS WARRANTY WILL BE PERFORMED DURING THE HOURS OF 8:00A.M. TO 5:00P.M., MONDAY THROUGH FRIDAY, EXCLUDING LOCALLY OBSERVED JOHNSON CONTROLS HOLIDAYS. OFF HOURS RESPONSE IS AVAILABLE AS AN EXTRA COST SERVICE OPTION.
- 5) WARRANTY EXCLUSIONS:
  - a) LABOR, TRAVEL, AND MILEAGE FOR:
    - i) SERVICE OUTSIDE OF JOHNSON CONTROLS NORMAL BUSINESS HOURS.
    - ii) PROGRAMMING AND/OR LABEL CHANGES.
    - iii) FAILURE DUE TO EXTERNAL CAUSES (LIGHTNING SURGES, CONSTRUCTION DUST, ETC.) OTHER THAN MANUFACTURING DEFECT.
  - b) ELECTRICAL WORK EXTERNAL TO THE EQUIPMENT SUPPLIED BY JOHNSON CONTROLS OR MAINTENANCE OF ACCESSORIES, ALTERATIONS, ATTACHMENTS OR OTHER DEVICES NOT FURNISHED BY JOHNSON CONTROLS.
  - c) BATTERIES.
  - d) COVERAGE OF EQUIPMENT CLASSED AS A WATER FLOW MONITORING/CONTROL DEVICES INSTALLED IN OR ON WATER PIPING.



**This Page Left Blank Intentionally**





## Manufacturer's Recommendation

- 1) CONTRACTOR IS EXPECTED TO PULL AND TERMINATE ALL CONDUCTORS AND INSTALL ALL DEVICES FOR A COMPLETE AND OPERATING SYSTEM.
- 2) WHERE FAN SHUTDOWN, ELEVATOR RECALL OR SPECIAL AUXILIARY FUNCTIONS ARE REQUIRED, CONTRACTOR IS TO VERIFY WIRING REQUIREMENTS WITH THE JOHNSON CONTROLS FACTORY TECHNICIAN ASSIGNED TO THE PROJECT (IN MANY CASES, SPECIAL WIRING WILL NOT BE SHOWN ON THE DRAWINGS).
- 3) WHERE POSSIBLE, THE CONTRACTOR IS TO USE COLOR CODE FOR ALL WIRING.
- 4) SMOKE DETECTORS ARE NOT TO BE MOUNTED WITHIN 3 FEET OF AIR OUTLETS.
- 5) CONTRACTOR MUST NOT INSTALL SMOKE DETECTOR HEADS IN BASES OR DUCT HOUSING UNTIL FINAL CHECKOUT TIME TO ENSURE THAT DIRT OR DUST DOES NOT CONTAMINATE THE UNITS. DIRTY DETECTORS ARE NOT COVERED BY WARRANTY.
- 6) DO NOT POWER-UP SYSTEM UNTIL JOHNSON CONTROLS FACTORY TECHNICIAN IS PRESENT.
- 7) A SEPARATE GROUND (ISOLATION FROM CONDUIT GROUND) MUST BE PULLED TO ALL CABINETS.
- 8) LOADS GREATER THAN 10 AMPS (FOR AUXILIARY FUNCTIONS) ARE NOT ALLOWED IN THE SAME CONDUIT AS FIRE ALARM.
- 9) CONTRACTOR IS TO ENSURE THAT ALL WIRING AND SHIELDS ARE FREE OF SHORTS, GROUNDS AND OPENS.
- 10) UNDERGROUND WIRING MUST MAINTAIN ONE MEGAOHM, 20F RESISTANCE TO GROUND.
- 11) ANY MANUFACTURER'S RECOMMENDATION IN CONFLICT WITH ENGINEERING DRAWINGS OR SPECIFICATIONS SHALL BE BROUGHT TO THE ATTENTION OF THE ENGINEER FOR CLARIFICATION. CONTRACTOR SHALL ADVISE JOHNSON CONTROLS OF ANY CHANGES.
- 12) PROTECTIVE COVERS ON SMOKE DETECTORS ARE NOT TO BE REMOVED UNTIL OWNERS ACCEPTANCE OF THE SYSTEM. (PREVENTS CONTAMINATION OF SMOKE CHAMBER).
- 13) IT IS THE CONTRACTOR'S RESPONSIBILITY TO REQUEST THE STATE OR LOCAL FIRE MARSHAL TO BE ON SITE FOR FINAL ACCEPTANCE AND CHECK OUT IF REQUIRED.
- 14) IT IS THE CONTRACTOR'S RESPONSIBILITY TO INVENTORY ALL EQUIPMENT RECEIVED FROM JOHNSON CONTROLS AGAINST THE CONTRACT DOCUMENTS AND REPORT ANY DISCREPANCIES WITHIN THIRTY (30) DAYS OR JOHNSON CONTROLS WILL ASSUME THE ORDER TO BE ACCURATE AND COMPLETE.
  - a) \*NOTE: IN THE EVENT OF DISCREPANCIES IN THE NUMBER OF DEVICES SUPPLIED, THE FOLLOWING JOHNSON CONTROLS POLICY WILL APPLY:
    - i) TOO FEW DEVICES: IF THE DEVICE IS SHOWN ON THE CONTRACT DOCUMENTS AND HAS NOT BEEN ADDED AS A RESULT OF A POST BID ADDITION OR CHANGE ORDER, JOHNSON CONTROLS WILL SUPPLY THE DEVICE AT NO CHARGE TO THE CONTRACTOR OR END USER PER JOHNSON CONTROLS'S CONTRACT OBLIGATIONS.
    - ii) TOO MANY DEVICES: IF THE DEVICE SHOWN IS EXTRA, DUE TO A POST BID ADDITION OR CHANGE ORDER; IT REMAINS THE PROPERTY OF THE CONTRACTOR OR END USER. IF THE DEVICE IS EXTRA DUE TO AN ERROR IN QUANTITIES SUPPLIED, THE DEVICE MUST BE RETURNED TO JOHNSON CONTROLS. NO CREDIT WILL BE ISSUED FOR THE RETURN OF EXTRA EQUIPMENT ABOVE THE QUANTITIES GIVEN IN THE CONTRACT DOCUMENTS.
- 15) OWNERS PRESENCE FOR FINAL DEMONSTRATION AND ACCEPTANCE.



## Special Instructions - Johnson Controls

- 1) JOHNSON CONTROLS WILL PROVIDE WIRING INSTRUCTIONS FOR INSTALLATION OF JOHNSON CONTROLS EQUIPMENT.
- 2) JOHNSON CONTROLS WILL PROVIDE A FACTORY TRAINED TECHNICIAN TO ASSIST IN TRAINING:
  - a) OPERATION OF THE CONTROL PANEL AND FUNCTIONS
  - b) ALARM TEST OF ALL JOHNSON CONTROLS PERIPHERAL DEVICES (SMOKE DETECTOR, MANUAL PULL STATION, ETC.)
  - c) SUPERVISE TEST OF ALL INITIATING, SIGNALING, AND CONTROL CIRCUITS.
- 3) JOHNSON CONTROLS WILL PROVIDE (1) INSTRUCTION AT FINAL TEST OF THE SYSTEM TO:
  - a) OWNER REPRESENTATIVE
  - b) FIRE INSPECTOR AND ELECTRICAL INSPECTOR
  - c) ARCHITECT AND ENGINEER
- 4) UPON COMPLETION OF FINAL TEST, JOHNSON CONTROLS WILL PROVIDE:
  - a) TEST REPORT
  - b) CERTIFICATION (IF REQUIRED)
  - c) ONE YEAR WARRANTY



## Testing Procedure for Devices

### **GENERAL:**

FOR ALL DEVICES (SUPPLIED BY JOHNSON CONTROLS) VISUALLY VERIFY PROPER LOCATION AND INSTALLATION.

### **SMOKE DETECTOR:**

ACTIVATE THE DEVICE USING A SMOKE GENERATOR AND VERIFY ALARM CONDITION ON PANEL. RESET PANEL AND VERIFY RESET OF SMOKE DETECTOR AND PANEL. TEST FOR ALARM VERIFICATION IF APPROPRIATE.

### **HEAT DETECTOR:**

FIXED TEMPERATURE REPLACEMENT ELEMENT - REMOVE ELEMENT ON HEAT DETECTOR TO INITIATE ALARM AND VERIFY ALARM CONDITION AT PANEL. REINSTALL ELEMENT, RESET SYSTEM, AND VERIFY.

NON-REPLACEABLE ELEMENT - NON-REPLACEABLE ELEMENT HEAT DETECTORS CAN ONLY BE TESTED FOR CONTINUITY.

RATE-OF-RISE DETECTORS - RATE OF RISE DETECTORS ARE TESTED WITH A HEATER OR BLOW DRYER UNTIL THEY INITIATE ALARM, THEN ALLOWED TO COOL. RESET PANEL AND VERIFY.

### **PULL STATIONS:**

ACTIVATE STATION WITH THE T-HANDLE, VERIFY ALARM AND LABEL FOR LOCATION, RESET STATION, RESET PANEL.

### **DUCT DETECTOR:**

(IF PROVIDED BY JOHNSON CONTROLS) WITH AIR HANDLING UNIT TURNED ON, OPEN ONE OF THE TEST PORT HOLES BY REMOVING THE RED COVER ON THE DUCT DETECTOR/SENSOR HOUSING. USING AN EXTENDED NOZZLE ON THE SMOKE DETECTOR AEROSOL TESTER SPRAY A FOUR TO EIGHT SECOND BURST OF AEROSOL THROUGH THE TEST PORT BUT NOT DIRECTLY AT THE DETECTOR/SENSOR HEAD. THE NOZZLE OF THE SMOKE DETECTOR AEROSOL TESTER SHOULD NOT EXTEND BEYOND THE INLET TUBE. AEROSOL IS SPRAYED INTO THE STREAM OF INCOMING AIR AND NOT DIRECTLY INTO DETECTOR/SENSOR. VERIFY ALARM, TEST ALL INDICATORS OR MANUAL TEST SWITCHES, RESET DETECTOR, RESET PANEL, TEST SAMPLE AND REFERENCE TUBE FOR POSITIVE AIR FLOW. (IF NOT PROVIDED BY JOHNSON CONTROLS) VERIFY THAT ZONE CIRCUIT IS PRESENT AT THE DEVICE.

### **AUDIBLES AND VISIBLES:**

ACTIVATE ALARM AND CONFIRM THAT ALL INDICATING APPLIANCES, AUDIBLES AND VISIBLES, ARE OPERATING.

### **DOOR HOLDERS:**

VERIFY THAT DOORS CLOSE ON ALARM.

### **VALVE SUPERVISORY SWITCHES (TAMPER):**

(IF PROVIDED BY JOHNSON CONTROLS) ACTIVATE SWITCH BY MOVING VALVE OFF NORMAL, VERIFY STATUS CHANGE, RESET SWITCH, RESET PANEL. (IF NOT PROVIDED BY JOHNSON CONTROLS) VERIFY THAT ZONE CIRCUIT IS PRESENT AT THE SWITCH.

### **FLOW SWITCHES AND PRESSURE SWITCHES:**

(IF PROVIDED BY JOHNSON CONTROLS) ACTIVATE SWITCH (WITH SPRINKLER CONTRACTOR PRESENT) BY A FLOW OF WATER, VERIFY STATUS CHANGE, RESET SWITCHES, RESET PANEL. (IF NOT PROVIDED BY JOHNSON CONTROLS) VERIFY THAT ZONE CIRCUIT IS PRESENT AND SUPERVISED AT THE SWITCH.

### **FAN/DAMPER CONTROL CIRCUITS:**

VERIFY (WITH HVAC CONTRACTOR PRESENT) THAT THE CONTROL CIRCUIT IS OPERATING, AND THE DEVICES IS BEING CONTROLLED IN ACCORDANCE WITH THE SPECIFIED SEQUENCE OF OPERATION.

### **ELEVATOR CONTROL CIRCUITS:**

VERIFY (WITH ELEVATOR CONTRACTOR PRESENT) THAT THE ELEVATOR IS BEING CONTROLLED IN ACCORDANCE WITH THE SPECIFIED SEQUENCE OF OPERATION.

### **TRAINING:**

JOHNSON CONTROLS SHALL PROVIDE A ONE TRAINING SESSION TO THE CUSTOMER.

### **WARRANTY:**

THE SYSTEM SHALL BE PROVIDED WITH A ONE YEAR HARDWARE WARRANTY.



**This Page Left Blank Intentionally**



## Equipment List & Data Sheets Fire Alarm System

<u>Quantity</u>	<u>Product ID</u>	<u>Product Description</u>
2	4906-9153	MULTICANDELA SPEAKER/STROBE WALL
1	4905-9815	ADAPTER MODULE
1	4905-9818	4905-9815 TRIM PLATE
2	4081-9008	EOL 10K 1/2W
1	ET70WP-2475W-FW	WP SPEAKER/STROBE WALL MOUNT
1	IOB-W	WP IOB BACKBOX WHITE

**Equipment List Subject to Change.**



**This Page Left Blank Intentionally**

**Features****Speaker/visible (S/V) notification appliances with multi-tapped speaker and multi-tapped high intensity xenon strobe with synchronized flash:**

- Rugged, high impact, flame retardant thermoplastic housings are available for wall or ceiling mount
- Operation is compatible with ADA requirements (refer to important wall mount installation information on page 4)

**Wall mount S/V features:**

- Housings are available in red or white with clear lens with contrasting white or red “FIRE” lettering
- Covers are available separately to convert housing color

**Ceiling mount S/V features:**

- Housing is white with clear lens
- Red “FIRE” lettering is printed on two sides

**Audible notification appliance (speaker):**

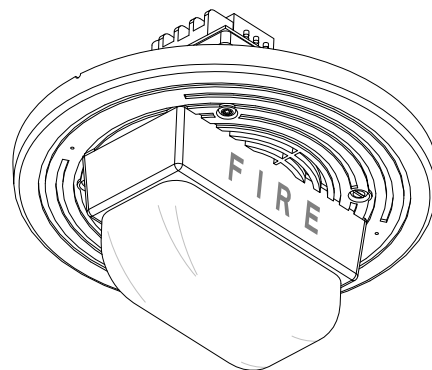
- High quality voice and tone reproduction with taps for ¼, ½, 1, or 2 W, at 25 or 70.7 VRMS
- Capacitor input for connection to supervised notification appliance circuits
- Speakers are wired separately from strobe wiring
- UL listed to Standard 1480 and ULC-S541\*
- Compliant with NFPA 72, 520 Hz Low Frequency Signal Requirements for Sleeping Areas

**Visible notification appliance (strobe):**

- 24 VDC xenon strobe; intensity is selectable as 15, 30, 75, or 110 candela with visible selection jumper secured behind strobe housing
- Strobes are activated from NACs selected to provide Simplex® strobe synchronization signals or from separate strobe Synchronization Modules that are available for Class B or Class A operation
- Regulated circuit design ensures consistent flash output and provides controlled inrush current
- UL listed to Standard 1971 and ULC-S526\*

**Options for wall mounted S/Vs:**

- Red or white adapters to cover surface mounted electrical boxes
- Red adapter for mounting to Simplex 2975-9145 boxes
- Red wire guard



Wall and Ceiling Mount S/Vs

**Description**

**Multi-Candela TrueAlert S/Vs with speaker and synchronized strobe** provide convenient installation to standard electrical boxes with extensions. The enclosure designs are both impact and vandal resistant and provide a convenient strobe intensity selection. Since each model can be selected for strobe intensity output, on-site model inventory is minimized and changes encountered during construction can be easily accommodated.

**Wall mount S/V** housings are a one-piece assembly (including lens) that mounts to a 4” square electrical box with extension (see details on page 4). The cover can be quickly removed (a tool is required) and covers are available separately for color conversion.

**Ceiling mount S/Vs** also install using 4” electrical boxes with an extension (see details on page 4).

**Strobe Intensity Selection**

During installation, a selection plug at the back of the housing determines the desired strobe intensity. An attached flag with black letters on a highly visible yellow background allows the selected intensity to be seen at the side of the strobe lens.

\* See page 2 for additional listing details and wire guard listings. This product has been approved by the California State Fire Marshal (CSFM) pursuant to Section 13144.1 of the California Health and Safety Code. See CSFM Listing 7320-0026:247 for allowable values and/or conditions concerning material presented in this document. Accepted for use – City of New York Department of Buildings – MEA35-93E. Additional listings may be applicable; contact your local Simplex product supplier for the latest status. Listings and approvals under Simplex Time Recorder Co. are the property of Tyco Fire Protection Products.

## Synchronized Strobes

**Multiple Strobes.** When multiple strobes and their reflections can be seen from one location, synchronized flashes reduce the probability of photo-sensitive reactions as well as the annoyance and possible distraction of random flashing. The multi-candela strobes of these S/Vs are activated by NACs that provide the Simplex synchronization format. For additional information, refer to data sheet S4905-0003.

## Strobe Application Selection

Proper selection of visible notification is dependent on occupancy, location, local codes, and proper applications of: the *National Fire Alarm and Signaling Code* (NFPA 72), ANSI A117.1; the appropriate model building code: BOCA, ICBO, or SBCCI; and the application guidelines of the Americans with Disabilities Act (ADA).

## Product Selection

### Wall Mount Multi-Candela S/Vs

Model	Housing Color	"FIRE" Lettering	Listings	Description	Housing Dimensions with Lens
4906-9151	Red	White	UL & ULC	Multi-tapped Speaker with Multi-Candela Synchronized Strobe; strobe intensity selectable as: 15, 30, 75, or 110 candela	7 ¼" H x 5" W x 2 ⅝" D (184 mm x 127 mm x 67 mm)
4906-9153	White	Red			

### Ceiling Mount Multi-Candela S/V

Model	Housing Color	"FIRE" Lettering	Listings	Description	Dimensions
4906-9154	White	Red	UL	Multi-tapped Speaker with Multi-Candela Synchronized Strobe; strobe intensity selectable as: 15, 30, 75, or 110 candela	Housing = 7 ½" (191 mm) diameter, ½" (13 mm) deep Strobe lens protrusion = 2 ⅝" (67 mm) above speaker housing Depth into box = 2 ¼" (70 mm)
4906-9157	White	Red	ULC		

### Wall Mount S/V Adapters

Model	Description	Dimensions
4905-9946	Surface mount red adapter skirt	7 ¾" H x 5 ⅝" W x 3 ⅜" D (197 mm x 137 mm x 81 mm) depth with S/V = 5 ⅞" (149 mm)
4905-9947	Surface mount white adapter skirt	
4905-9903	Adapter Plate, red, required to mount S/V on 2975-9145	8 ⅝" H x 5 ¾" W x 0.060" Thick (211 mm x 146 mm x 1.5 mm)
2975-9145	Mounting box, red, for surface or flush mount, requires adapter plate 4905-9903 (this box may be available for retrofit applications)	7 ⅞" H x 5 ⅞" W x 2 ¼" D (200 mm x 130 mm x 70 mm)

### Wall Mount S/V Replacement Covers

Model	Description	Dimensions
4905-9996	Red S/V cover with white "FIRE" lettering	7 ¼" H x 5" W x 1 ⅝" D (184 mm x 127 mm x 35 mm)
4905-9997	White S/V cover with red "FIRE" lettering	

### Synchronized Flash Control Modules

Model	Description	Dimensions
4905-9914*	Synchronized Flash Module, Class B operation	1 ⅝" W x 2 ⅞" L x 1 ⅜" H (35 mm x 62 mm x 20 mm)
4905-9922*	Synchronized Flash Module, Class A operation	

### Wall Mount S/V Wire Guard

Model	Description	Dimensions
4905-9998	Wire guard with mounting plate, red, compatible with surface and semi-flush boxes (UL listed by Space Age Electronics Inc.)	8 ⅜" H x 6 ⅝" W x 3 ¼" D (213 mm x 154 mm x 79 mm)

### Ceiling Mount Tile Bridge

Model	Description	Dimensions
2905-9946	Tile Bridge	See diagram on page 4

\* Refer to data sheet S4905-0003 for additional flash control module information



## S/V Specifications

Common Specifications	Environmental	32° to 122° F (0° to 50° C); 10% to 93%, non-condensing at 100° F (38° C)
	Connections	Terminal blocks for 18 AWG to 12 AWG (0.82 mm <sup>2</sup> to 3.31 mm <sup>2</sup> ); two wires per terminal for in/out wiring

### Speaker Specifications

Input Voltage	25 or 70.7 VRMS, see Note 1 below	
Power Taps	¼, ½, 1, and 2 W	
Frequency Response	Fire Alarm	400 to 4000 Hz
	General Signaling	125 to 12 kHz

		Wattage Tap	¼ W	½ W	1 W	2 W
Speaker Output Ratings @ 10 ft (3 m) (see Note 1 below)	UL Listed Models, Reverberant Chamber Test, per UL 1480		76 dBA	79 dBA	82 dBA	85 dBA
	Wall Mount Models <b>4906-9151</b> and <b>4906-9153</b> , Anechoic Chamber Test, per ULC-S541		77 dBA	80 dBA	83 dBA	86 dBA*
	Ceiling Mount Model <b>4906-9157</b> , per ULC-S541	25 VRMS Input	81.6 dBA	84.3 dBA	87.1 dBA*	89.7 dBA*
70.7 VRMS Input		80.9 dBA	84.1 dBA	87.3 dBA*	90.2 dBA*	

\* **NOTE:** Select taps as indicated to satisfy the ULC fire alarm applications requirement of 85 dBA minimum

Polar Dispersion Reference (per ULC-S541 Anechoic Chamber Testing)	Attenuation	Angle	Attenuation	Angle
		-3 dB	+/- 30° off-axis	-6 dB

### Strobe Specifications

Rated Voltage Range	Regulated 24 VDC; 16 VDC to 33 VDC, see Note 2 below
Flash Rate and Synchronized NAC Loading	1 Hz; with up to 35 synchronized strobes maximum per NAC

Wall Mount	Housing Dimensions (with lens)	7 ¼" H x 5" W x 2 5/8" D (184 mm x 127 mm x 67 mm)				
	Maximum RMS Current Rating per Strobe Setting		15 cd	30 cd	75 cd	110 cd
			60 mA	94 mA	186 mA	252 mA
Reference RMS Currents at other voltages	18 VDC	53 mA	84 mA	165 mA	224 mA	
	24 VDC	40 mA	63 mA	124 mA	168 mA	

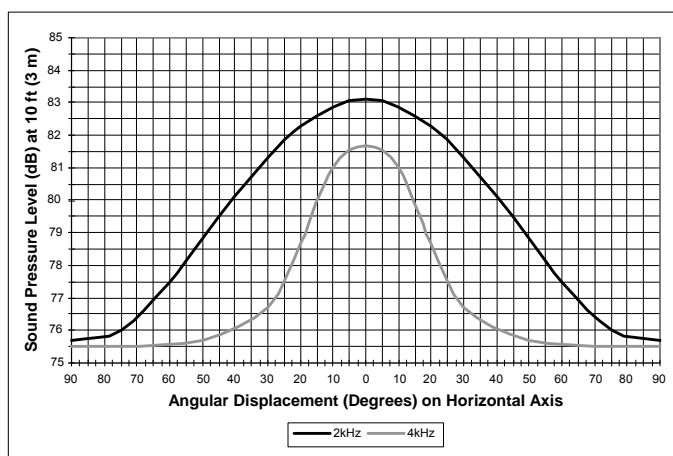
  

Ceiling Mount	Housing Dimensions	Speaker housing = 7 ½" (191 mm) diameter, ½" deep (13 mm); lens protrusion above speaker housing = 2 5/8" (67 mm); depth into box = 2 ¾" (70 mm)				
	Maximum RMS Current Rating per Strobe Setting		15 cd	30 cd	75 cd	110 cd
			75 mA	125 mA	233 mA	316 mA
Reference RMS Currents at other voltages	18 VDC	67 mA	111 mA	207 mA	281 mA	
	24 VDC	50 mA	83 mA	155 mA	211 mA	

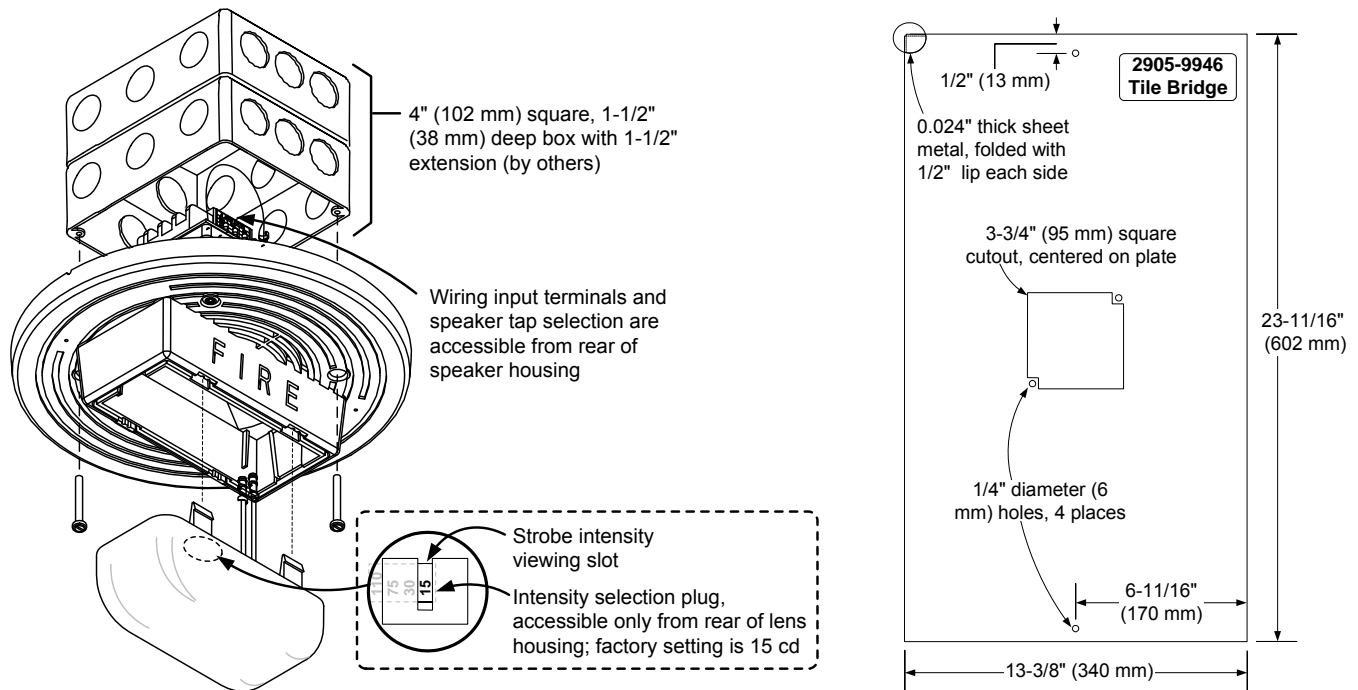
#### NOTES:

- Speakers are for connection to conventional fire alarm audio circuits. Anechoic speaker output ratings are typically more representative of actual installed sound output.
- The maximum RMS strobe current listed is the device nameplate rating. Strobe designs are constant wattage and the maximum RMS current rating occurs at the lowest allowable operating voltage. (RMS is root mean square and refers to the effective value of a varying current waveform.)

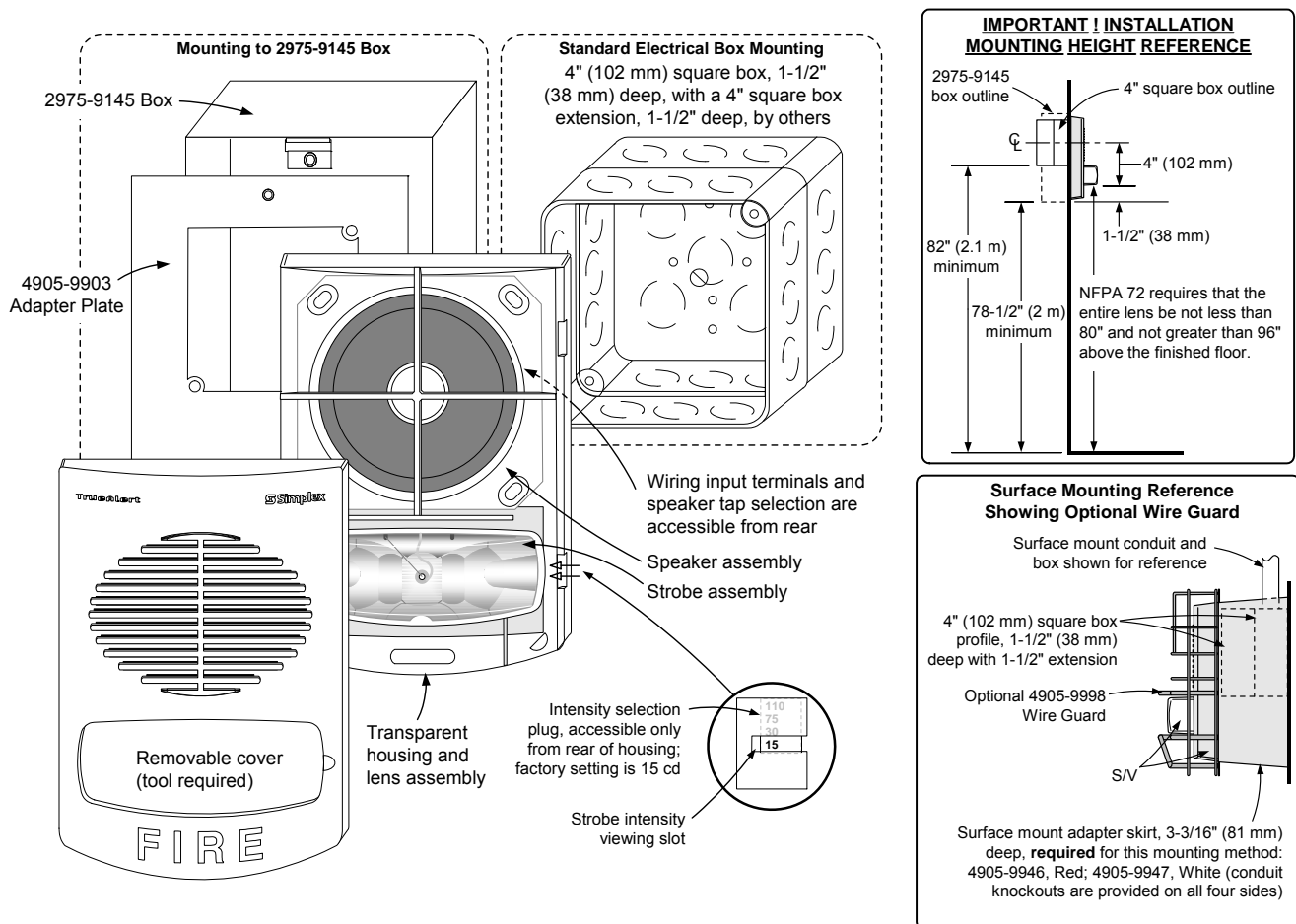
## Speaker Directional Characteristics Reference



## Ceiling Mount S/V Installation Reference and Tile Bridge Dimensions



## Wall Mount Installation Reference



TYCO, SIMPLEX, and the product names listed in this material are marks and/or registered marks. Unauthorized use is strictly prohibited. NFPA 72 and National Fire Alarm and Signaling Code are registered trademarks of the National Fire Protection Association (NFPA).



Tyco Fire Protection Products • Westminster, MA • 01441-0001 • USA

S4906-0003-8 5/2014

www.simplex-fire.com

© 2014 Tyco Fire Protection Products. All rights reserved. All specifications and other information shown were current as of document revision date and are subject to change without notice.

#### Features

#### Converts a Simplex® SmartSync NAC (notification appliance circuit) into separate 24 VDC audible and visible appliance outputs:

- Power and communications are supplied by the SmartSync operation NAC
- Up to two SmartSync Adapter Modules can be connected to a SmartSync NAC
- Operation is compatible with SmartSync control from Simplex fire alarm control panels and from 4009 IDNet NAC Extenders
- Operation modes are: visible and audible appliances both on; or visible appliance only – with activation determined by the connected control panel
- On-board circuit limits appliance inrush current and provides self-resetting overcurrent protection
- Wiring to audible and visible appliances is supervised with conventional reverse polarity operation; opens or shorts are reported to the control panel

#### Status diagnostics:

- A visible status LED will light if a wiring fault is detected by either of the on-board output notification appliance supervision circuits

#### Appliance output ratings:

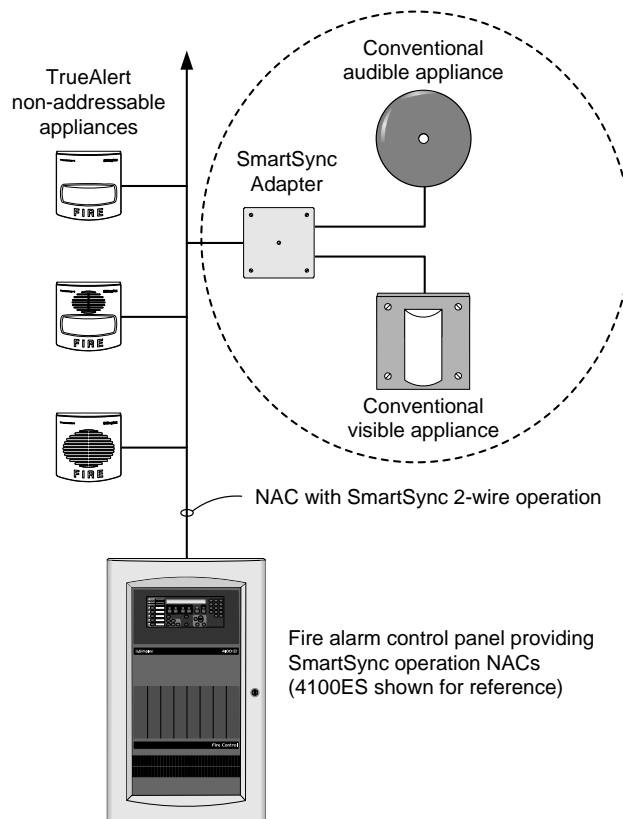
- Regulated 24 DC appliance power; audible output is rated for up to 30 mA, visible output is rated for up to 180 mA
- Special Applications appliance ratings; audible output is rated for up to 50 mA, visible output is rated for up to 250 mA

#### General mechanical features:

- Mounts in standard 4-11/16" (119 mm) square electrical box
- Cover plates (required) are available for surface or flush mount, ordered separately
- Covers provide status LED viewing
- Screw terminals for wiring connections

#### UL listed to Standard 864

\* This product has been approved by the California State Fire Marshal (CSFM) pursuant to Section 13144.1 of the California Health and Safety Code. See CSFM Listing 7300-0026:315 for allowable values and/or conditions concerning material presented in this document. Accepted for use – City of New York Department of Buildings – MEA35-93E. Additional listings may be applicable; contact your local Simplex product supplier for the latest status. Listings and approvals under Simplex Time Recorder Co. are the property of Tyco Fire Protection Products.



SmartSync Adapter Module,  
Typical One-Line Wiring Reference

#### Introduction

**Special Notification Requirements.** Standard SmartSync operation notification appliances activate horns and/or strobes in response to commands received from the SmartSync operation control source using a two-wire connection. For applications where appliances other than the standard SmartSync appliances are required, the SmartSync Adapter Module provides a separate audible and visible output controlled by the SmartSync operation control source.

**Typical applications** are for connection to special weather-proof appliances, appliances with particular sound output characteristics (special bells or chimes), or for connection to appliances that are required to satisfy specific aesthetic requirements.

#### Maintains SmartSync operation System

**Advantages.** With the SmartSync Adapter Module, non-SmartSync appliances can be controlled while still benefiting from the SmartSync operation ability to provide separate audible and visible control using a two-wire connection.

For additional information refer to Installation Instructions 579-391.

## Appliance Wiring Details

**Compatibility with circuit protectors.** When connected to remote appliances (up to 200 ft from the adapter) that exit the building and may be exposed to harsh electrical environments, the notification appliance wiring is compatible with Simplex circuit protectors. Compatible protectors are listed on page 3 and should be connected both where the wiring leaves the building and where it connects to the appliances.

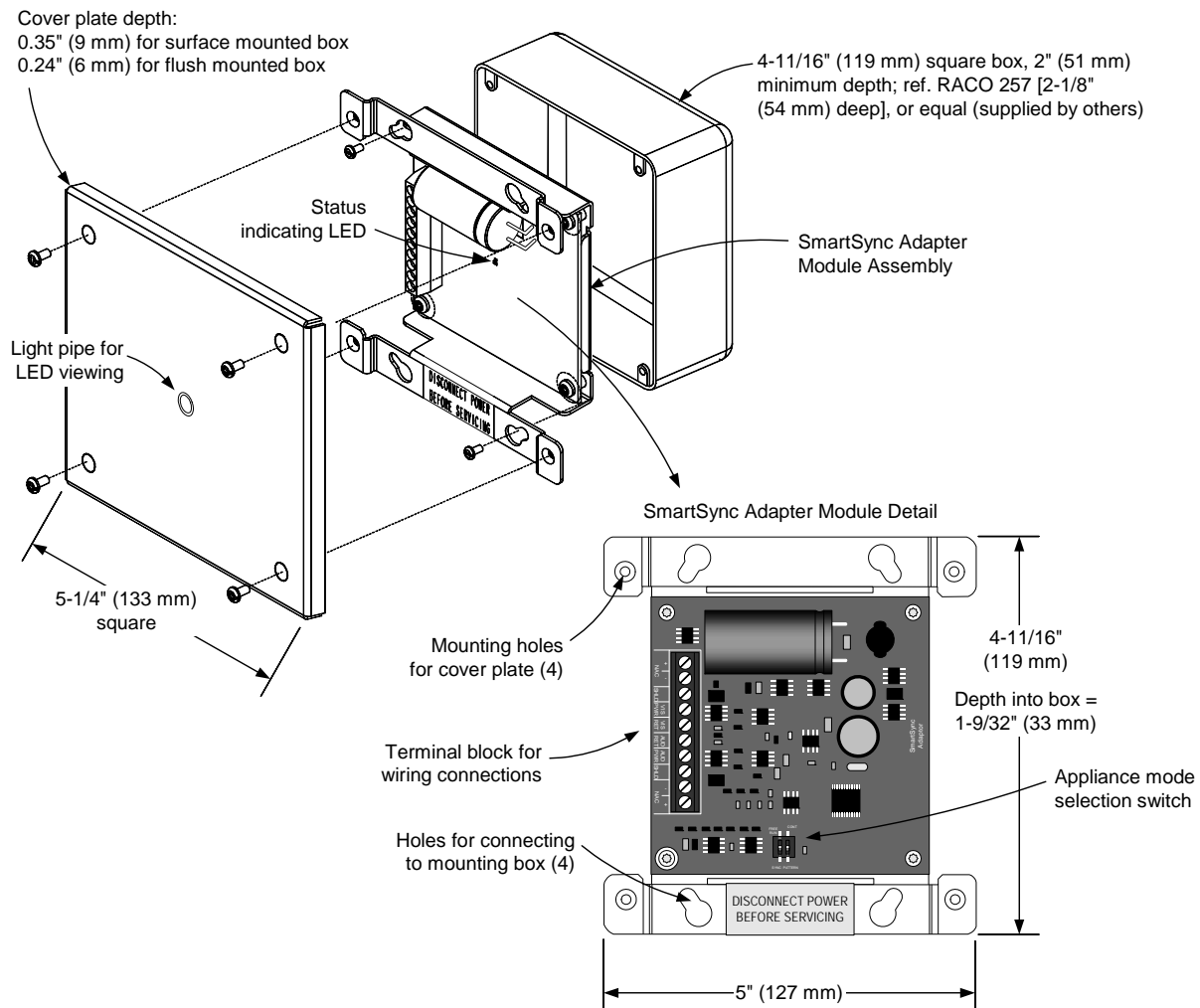
**Provisions for shielded wire.** For applications where notification appliance wiring may be exposed to electrical noise, twisted, shielded wiring is recommended. The adapter wiring terminal block has provisions for connecting the shield(s).

## TrueAlert Adapter Product Selection

Model	Description
4905-9815	SmartSync Adapter Module; requires surface or flush mount cover plate
4081-9008	End-of-Line Resistor Harness (ref. 733-894); 10 k $\Omega$ , 1/2 W; two required, one each for audible and visible output
4905-9817	Surface Mount Cover Plate
4905-9818	Flush Mount Cover Plate

Select one for each 4905-9815; painted beige

## TrueAlert Adapter Installation Reference



## Specifications

### Electrical

Input Voltage		16 to 33 VDC; see notes 1 and 2 below
Input Current	Supervisory	100 $\mu$ A maximum
	Alarm	450 mA maximum, adapter and appliances
Output Voltage		17 to 32 VDC; appliance inrush current is internally limited to 550 mA
Output NAC Current Ratings	Regulated 24 DC Appliance Power Ratings	Audible Output = 30 mA
		Visible Output = 180 mA
	Special Application Appliance Ratings	Audible Output = 50 mA
		Visible Output = 250 mA
<b>Regulated 24 DC Appliances</b>		Power for appliances listed to UL Standard 1971 or UL Standard 464; use associated external synchronization modules where required
<b>Special Application Appliances</b>		Simplex conventional (non-addressable) 4901, 4903, 4904, and 4906 Series horns, strobes, and combination horn/strobes and speaker/strobes (contact your Simplex product representative for compatible appliances)

### Wiring Reference

Appliance Distance from SmartSync Adapter		200 ft maximum (61 m)
Supervision Resistor		10 k $\Omega$ , 1/2 W; two required, one located at each remote appliance; use 4081-9008 End-of-Line Resistor Harness (ref. 733-894), ordered separately
Wiring Connections		Screw terminals for 18 to 12 AWG (0.82 mm <sup>2</sup> to 3.31 mm <sup>2</sup> )
Compatible Circuit Protection (required when wiring leaves the building for outdoor appliances, mount one at each end of wiring)		2081-9044, Overvoltage Protector, 200 mA maximum
		2081-9028, Isolated Loop Circuit Protector, 5 A maximum
		2081-9027, Isolated Loop Circuit Protector, 200 mA maximum

### Mechanical and Environmental

Dimensions (adapter mounted in bracket, see page 2 for reference drawing)		4-11/16" H x 5" W x 1-9/32" D (119 mm x 127 mm x 33 mm)
Mounting Plate Material		Sheet metal, galvanized
Temperature Range		32° to 120° F (0° to 49° C) intended for indoor operation
Humidity Range		10% to 90% RH non-condensing at 90° F (32° C)

#### NOTES:

1. The SmartSync adapter is required to be connected to a NAC that provides SmartSync two-wire operation.
2. The rated voltage range listed is the absolute operating range. Operation outside of this range may cause permanent damage to the SmartSync adapter.

*TYCO, SIMPLEX, and the product names listed in this material are marks and/or registered marks. Unauthorized use is strictly prohibited.*



Tyco Fire Protection Products • Westminster, MA • 01441-0001 • USA  
[www.simplex-fire.com](http://www.simplex-fire.com)

S4905-0005-4 12/2014

© 2014 Tyco Fire Protection Products. All rights reserved. All specifications and other information shown were current as of document revision date and are subject to change without notice.

# Weatherproof appliances, Version 2



## Description

Designed for life safety, performance and reliability, the Wheelock weatherproof notification appliances include:

### Weatherproof Appliances

Weatherproof Appliances	Series
Strobes	RSSWP
Horn strobes	ASWP
Horn	AH-24WP, AH-12WP
Multitone horn strobes	MTWP
Multitone horns	MT
Speaker strobes	ET70WP
Speakers	ET-1010

All strobe models are UL dual listed—meeting both UL1638 and UL1971 requirements. As dual listed appliances, these weatherproof strobes, horn strobes and speaker strobes are listed for outdoor applications under UL 1638 as well as under UL 1971, the Standard for Safety Signaling Devices for Hearing Impaired. With an extended temperature range of -40°F to 150°F (-40°C to 66°C), Wheelock weatherproof appliances meet or exceed UL outdoor test requirements for rain, humidity and corrosion resistance while providing multiple strobe intensity options, including the highest strobe ratings available for area coverage per NFPA 72 strobe spacing tables (up to 185 candela for wall mounting and 177 candela for ceiling mounting).

To enable weatherproof mounting, Eaton provides the industry's widest choice of mounting options for surface or unique semi-flush installation. Models are available for surface mounting to Wheelock weatherproof backboxes on walls or ceilings. The optional WP-KIT allows the weatherproof backboxes (IOB, WPBB or WPSBB) to be mounted to a recessed electrical box for concealed conduit installation. For semi-flush installation, the WPA\* and WFPA\* kits allow a customer to mount the weatherproof appliances to a recessed electrical box without the need for an external weatherproof backbox. See Table 10 on page three of this document for a summarization of these mounting options and the required accessories.

All models may be synchronized using the Wheelock DSM sync modules, Wheelock power supplies or other manufacturers panels incorporating the Wheelock patented sync protocol. The horn output of horn strobes can be independently controlled on 2-wire circuits using the Wheelock patented sync protocol. MTWP horn strobe models are 4-wire appliances; the strobes can be synchronized while the audible can be connected to a coded fire alarm system. MT horns may be synchronized, using the temporal Code 3 horn setting.



Powering Business Worldwide

**Features & benefits**

- Weatherproof with extended temperature range of -40°F to 150°F (-40°C to 66°C)\*
- Dual listed strobe models (UL 1638 and UL 1971)
- Industry’s highest strobe candela options
- Strobes and Code 3 horn synchronize using the Wheelock Sync Modules or panels with built-in Wheelock Patented Sync Protocol
- Models with field selectable tone, dBA and candela settings
- Wall or ceiling mounting options
- MTWP and ET70WP kits that include the device and IOB backbox are available; See ordering information for specific models
- Surface or semi-flush mounting (indoor and outdoor)
- IN/OUT wiring termination accepting two #12-18 AWG wires at each terminal

**Note:** Please read these specifications and associated installation instructions, before using, specifying, or installing this product. Visit [Eaton.com/massnotification](http://Eaton.com/massnotification) for current installation instructions.

**Approvals & compliances**

- Approvals include: UL Standards 1971, 1638, 464 and 1480; ULC, California State Fire Marshal (CSFM); and Factory Mutual (FM) (see agency approvals by model number on pages 4 and 5 of this document)
  - The series RSSWP, ASWP, AH-24WP, MTWP-2475W, and MT-12/24 have UL/ULC approval down to -40°F. The ET-1010 and ET70WP have UL approval down to -40°F.
  - Compliance with the following requirements: NFPA; UFC; FCC, ANSI 117.1; OSHA Part 29, 1910.165; AD

**General notes**

- Strobes are designed to flash at 1 flash per second minimum over their UL Listed Regulated Voltage Range.
- All candela ratings represent minimum effective Strobe intensity based on UL Standards 1971 and 1638 as indicated in candela ratings table.
- Models are available in red or white. Contact Customer Service for order code and delivery.

**Drawings**

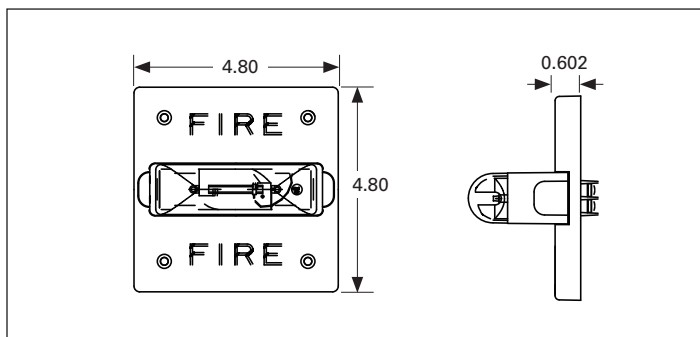


Figure 1. RSSWP front and side views

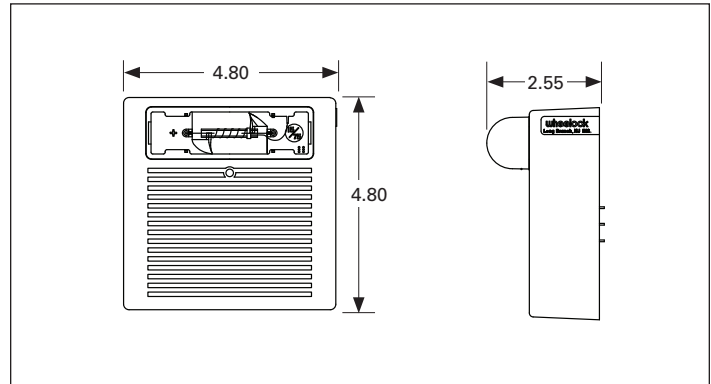


Figure 2. ASWP front and side views

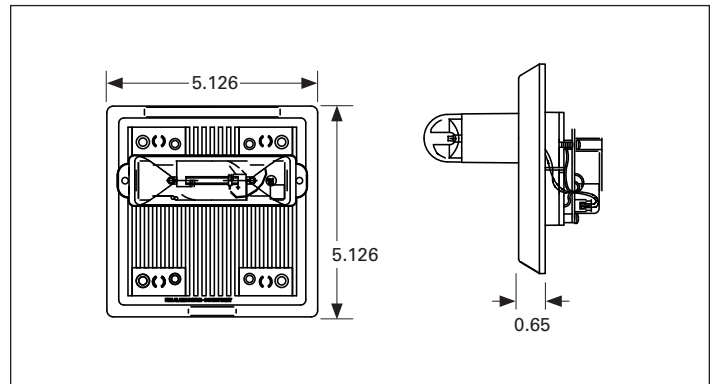


Figure 3. MTWP front and side views

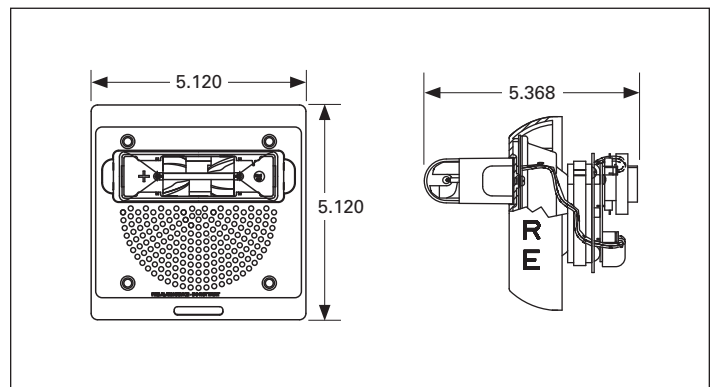


Figure 4. ET70WP front and side views

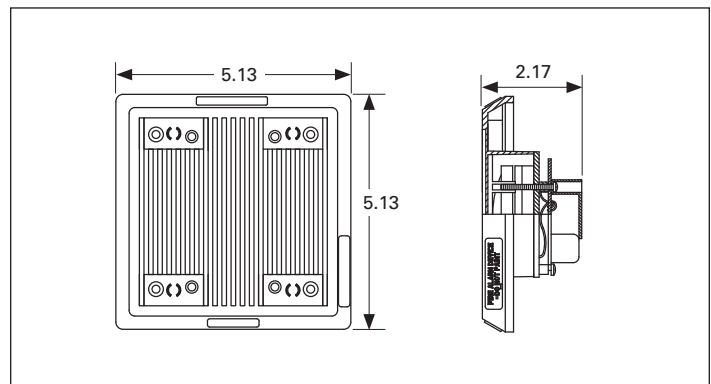


Figure 5. MT front and side views



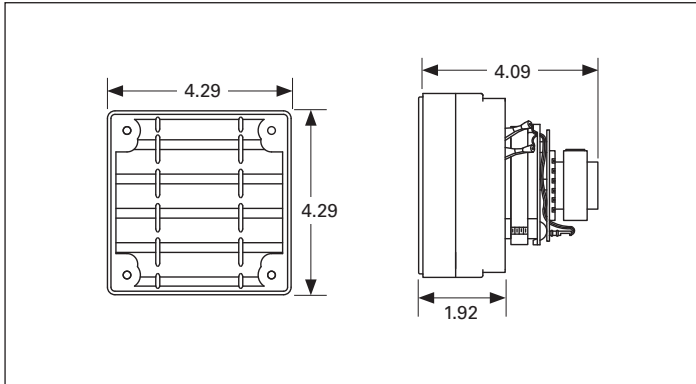


Figure 6. ET-1010 front and side views

Table 1. Maximum RMS current for AH models

UL Max Current for AH	
24 VDC	
High (99) dBA	0.080
Med (95) dBA	0.043
Low (90) dBA	0.021

Table 2. dBA ratings for ET-1010 and ET70WP models

UL Reverberant dBA @ 10 ft.							
Watts							
Model	1/8	1/4	1/2	1	2	4	8
ET-1010	77	80	83	86	87	92	94
ET70WP	77	80	83	86	88	91	93

Table 3. Maximum RMS current and dBA, MT weatherproof models

dBA	MTWP/MT 24 VDC		MT 12 VDC	
	HI	STD	HI	STD
Horn	0.108	0.044	0.177	0.034
Bell	0.053	0.024	0.095	0.020
March Time	0.104	0.087	0.142	0.034
Code 3 Horn	0.122	0.035	0.200	0.034
Code 3 Tone	0.135	0.035	0.152	0.021
Slow Whoop	0.098	0.037	0.142	0.035
Siren	0.104	0.036	0.152	0.030
Hi/Lo	0.057	0.025	0.114	0.026

UL Reverberant dBA at 10 Feet			
24 VDC		12 VDC	
HI	STD	HI	STD
92	87	92	87
86	80	86	80
89	84	89	84
88	83	88	83
85	80	85	80
90	85	90	85
89	84	89	84
86	81	86	81





Table 4. Strobe and ASWP ratings

Candela ratings	Candela ratings			Max RMS Current (strobe only)	Maximum RMS Current for ASWP		
	Strobe Candela	UL 1971	UL 1638 @ 77°F		UL 1638 @ -40°F	High	Med
2475W	30 ①	180	115	0.138	0.168	0.155	0.150
2475C	15	180	115	0.138	0.168	0.155	0.150
MCWH	135	135	56	0.300	0.355	0.340	0.335
	185	185	77	0.420	0.480	0.465	0.460
MCCH	115	115	47	0.300	0.355	0.340	0.335
	177	177	73	0.420	0.480	0.465	0.460
24185	185	185	77	0.420			
24177	177	177	73	0.420			

① Wall mount rating only





### Wall mount models

Table 5. Specification and ordering information

Model Number	Finish	Kit	Order Code	Agency Approvals			
				UL	ULC	CSFM	FM
<b>Strobe</b>							
RSSWP-2475W-FR		Red	9013	X	X	X	X
RSSWP-2475W-FW		White	3034	X	X	X	X
RSSWP-24MCWH-FR		Red	5161	X	X	X	-
RSSWP-24MCWH-FW		White	5165	X	X	X	-
<b>Audible strobe</b>							
ASWP-2475W-FR		Red	9012	X	X	X	X
ASWP-24MCWH-FR		Red	5137	X	X	X	-
ASWP-24MCWH-FW		White	5140	X	X	X	-
<b>Multitone strobe</b>							
MTWP-2475W-FR		Red	8420	X	X	X	X
MTWP-2475W-FW		White	3112	X	X	X	X
MTWP-24MCWH-FR		Red	5132	X	X	X	-
MTWP-24MCWH-FW		White	5134	X	X	X	-
MTWP-2475W-FR KIT		Red	Includes IOB-R backbox 9082	X	X	X	X
MTWP-2475W-FW KIT		White	Includes IOB-W backbox 9083	X	X	X	X
MTWP-2475W-NW KIT		White	Includes IOB-W backbox 9084	X	X	X	X
<b>Speaker strobe</b>							
ET70WP-2475W-FR		Red	9077	X	-	X	X
ET70WP-2475W-FW		White	3179	X	-	X	X
ET70WP-2475W-ALR		Red	4480	X	-	X	X
ET70WP-2475W-ALW		White	4481	X	-	X	X
ET70WP-24185W-FR		Red	4885	X	-	X	X
ET70WP-24185W-FW		White	4891	X	-	X	X
ET70WP-2475W-FR KIT		Red	Includes IOB-R backbox 9078	X	-	X	X
ET70WP-2475W-FW KIT		White	Includes IOB-W backbox 9079	X	-	X	X
ET70WP-24135W-NW		White	1111	X	-	X	X
ET70WP-24135W-FR		Red	4872	X	-	X	X
ET70WP-24135W-FW		White	4875	X	-	X	X
ET70WP-24135W-ALW		White	6407	X	-	X	X



### Ceiling mount models

Table 6. Specification and ordering information

Model Number	Finish	Kit	Order Code	Agency Approvals			
				UL	ULC	CSFM	FM
<b>Strobe</b>							
RSSWP-2475C-FR		Red	4338	X	X	X	X
RSSWP-2475C-FW		White	4446	X	X	X	X
RSSWP-24MCCH-FR		Red	5167	X	X	X	-
RSSWP-24MCCH-FW		White	5187	X	X	X	-
<b>Audible strobe</b>							
ASWP-2475C-FR		Red	4251	X	X	X	X
ASWP-2475C-FW		White	4502	X	X	X	X
ASWP-24MCCH-FR		Red	5149	X	X	X	-
ASWP-24MCCH-FW		White	5157	X	X	X	-
<b>Multitone strobe</b>							
MTWP-2475C-FR		Red	4457	X	X	X	X
MTWP-2475C-FW		White	4458	X	X	X	X
MTWP-24MCCH-FR		Red	5102	X	X	X	-
MTWP-24MCCH-FW		White	5122	X	X	X	-
<b>Speaker strobe</b>							
ET70WP-2475C-FR		Red	4452	X	-	X	X
ET70WP-2475C-FW		White	4454	X	-	X	X
ET70WP-24177C-FR		Red	4845	X	-	X	X
ET70WP-24177C-FW		White	4859	X	-	X	X
ET70WP-2475C-FR KIT		Red	Includes IOB-R backbox 9080	X	-	X	X
ET70WP-2475C-FW KIT		White	Includes IOB-W backbox 9081	X	-	X	X
ET70WP-24115C-FR		Red	4550	X	-	X	X
ET70WP-24115C-FW		White	4732	X	-	X	X
ET70WP-24115C-NW		White	3552	X	-	X	X





## Wall or ceiling mount models

Table 7. Specification and ordering information

Model Number	Finish	Order Code	Agency Approvals			
			UL	ULC	CSFM	FM
<b>Audible</b> AH-24WP-R	 Red	7416	X	X	X	X
<b>Horn</b> MT-12/24-R MT-12/24-W	Red	5023	X	X	X	X
	White	5024	X	X	X	X
<b>Speaker</b> ET-1010-R ET-1010-W	 Red	3135	X	Available	X	X
	White	3137	X	Available	X	X

## Mounting accessories

Table 8. Ordering information

Model Number	Finish	Order Code	Model Number	Finish	Order Code
<b>Backboxes</b>			<b>Gasket kit</b>		
IOB-R ①	Red	5046	WP-KIT	N/A	4486
IOB-W ①	White	5047	<b>Flush plates</b>		
	Red	9751	WFPA-R	Red	4698
	White	3033	WFPA-W	White	4701
WPSBB-R ①	Red	9751		Red	4696
WPSBB-W ①	White	3033		White	4697
	Red	9014	WFP-R	Red	4696
	White	4692	WFP-W	White	4697
	Red	2959			
	White	2960			
WBB-R	Red	2959			
WBB-W	White	2960			

① IOB, WPSBB and WPBB models include weep holes and plug in the event that moisture may have entered the appliance.

Table 9. Mounting options

Mounting Options	Surface Mount		Flush Mount
	Exposed Conduit	Concealed Conduit	
RSSWP Strobes	WPSBB	WPSBB + WP-KIT	WFP
ET70WP Speaker Strobes	IOB	IOB + WP-KIT	WFP
ASWP Horn Strobes	WPBB	WPBB + WP-KIT	WFPA
AHWP Horns	WBB	—	WFP
ET-1010 Speakers	WBB	—	WFP
MTWP Multitone Strobes	IOB	IOB + WP-KIT	WFP
Multitone	IOB	IOB + WP-KIT	WFP

Note: Refer to Data Sheet TD450028EN for mounting options

## Architects and engineers specifications

### General

Weatherproof notification appliances shall be UL listed for outdoor use. Weatherproof strobe appliances shall be listed under UL Standard 1638 (Standard for Visual Signaling Appliances) for Indoor/Outdoor use and UL Standard 1971 (Standard for Safety Signaling Devices for Hearing Impaired). The appliances shall be available for optional wall mounting or ceiling mounting to weatherproof backboxes using either exposed conduit, concealed conduit, or semi-flush mounting to a recessed electrical box in walls or ceilings using Wheelock mounting accessories.

### Weatherproof Strobes and Audibles

Weatherproof strobe appliances shall be Wheelock RSSWP models or approved equals. The weatherproof strobes shall produce a minimum flash rate of 60 flashes per minute over the UL Regulated Voltage Range of 16 to 33 VDC and shall incorporate a Xenon flashtube. The weatherproof strobes shall be available with UL 1971 candela ratings up to 185 cd for wall mounting and 177 cd for ceiling mounting. UL 1638 candela ratings up to 180 cd at 77°F shall be available. The strobes shall operate over an extended temperature range of -40°F to 150°F (-40°C to 66°C) and be listed for maximum humidity of 95% RH. Strobe inputs shall be polarized for compatibility with standard reverse polarity supervision of circuit wiring by a Fire Alarm Control Panel (FACP).

Weatherproof audibles shall be Wheelock AH models or approved equals, and the weatherproof audible/strobe combinations shall be Wheelock ASWP models or approved equals. The weatherproof horns and multitone audibles shall be listed for Indoor/Outdoor use under UL Standard 464. The horns shall be able to produce a continuous output or a temporal code-3 output that can be synchronized. The horns shall have at least 3 sound level settings. Horn/strobe combinations shall be able to be synchronized on a single NAC.

Multitone audibles shall Wheelock MT models or approved equals. The multitone horns shall be able to produce 8 distinct tones selectable by dip switch and shall have at least 2 sound level settings. Multitone audible/strobe combinations shall have independent inputs for the audible and strobe. The strobes and Code 3 horns shall be able to be synchronized. The audibles shall be able to be coded when operated on a separate NAC.

ASWP audibles and strobes shall be able to be synchronized on a 2-wire circuit with the ability to silence the audible if required. The strobes on MT multitone audible/strobe appliances shall be able to be synchronized and shall be able to be operated on a separate circuit from the audibles while the audible circuit is connected to a coded or continuous NAC. When set to Code 3 Horn, the MT multitone audibles shall be able to be synchronized.

### Weatherproof Speakers and Speaker/Strobes

Weatherproof speakers shall be Wheelock ET-1010 models or approved equals, and speaker strobes shall be ET70WP or approved equals. Weatherproof speakers and speaker strobes shall be UL listed for indoor/outdoor use under UL Standard 1480. All speakers shall provide field selectable taps for 1/8W to 8W operation for either 25 VRMS or 70 VRMS audio systems and shall incorporate a sealed back construction for extra protection and improved audibility. Speakers shall be listed to produce up to 94 dBA and shall incorporate a vandal resistant grille design. Speaker strobes shall be available for surface or semi-flush mounting to walls or ceilings and shall be listed to produce up to 93 dBA.

### Sync Modules

When synchronization of strobes or temporal code-3 audibles is required, the appliances shall be compatible with the Wheelock DSM sync modules, Wheelock power supplies or other manufacturers panels with built-in Wheelock patented sync protocol. The strobes and audibles shall not drift out of synchronization at any time during operation.

### Weatherproof Mounting Accessories

Weatherproof mounting options shall include surface mounting or semi-flush mounting to walls or ceilings. Surface mounted appliances shall mount to Wheelock IOB, WBB, WPBB or WPSBB weatherproof backboxes using either exposed conduit or concealed conduit. For concealed conduit the weatherproof backbox shall be mounted to a recessed electrical box with Wheelock's WP-KIT to provide a weatherproof seal for the electrical box. Semi-flush mounted appliances shall mount to a recessed electrical box using Wheelock WFP or WFPA flush plates to provide a weatherproof seal between the electrical box and the appliance.



WE ENCOURAGE AND SUPPORT NICET CERTIFICATION  
3-YEAR WARRANTY

**Eaton**  
1000 Eaton Boulevard  
Cleveland, OH 44122  
United States  
Eaton.com

**Eaton**  
Life safety & mass notification solutions  
273 Branchport Ave.  
Long Branch, NJ 07740  
Eaton.com/Lifesafetynotification

© 2020 Eaton  
All Rights Reserved  
Printed in USA  
Publication No. TD450112EN  
September 2020



Eaton is a registered trademark.

All other trademarks are property of their respective owners.