

SIGNAGE SPECIFICATIONS

(A) Face/Halo Lit Channel Letters on Raceway with Contour Backer - QTY: 1

SPEC: CHANNEL LETTERS ON RACEWAY
LED ILLUMINATED
ACRYLIC FACE BLACK TRIM CAP
BLACK RETURN
RACEWAY TO BE PAINTED TO MATCH WALL COLOR

TOTAL SIGN = 39.875 SQ. FT.
SIGN WEIGHT = 70LBS
TENANT STORE FRONT = 1000 SQ. FT.



US SIGN 1
WHOLESALE SIGN MANUFACTURER
1819 CENTRAL AVE. S. BLDG C-8
KENT, WA 98032 (206) 468-3999



Date: _____
Salesperson: TL
Coordinator: TL
Designer: JT
Scale: 3/8"=1'

Revisions

△	△
△	△
△	△
△	△

CUSTOMER APPROVAL

Customer Signature _____ Date _____
COPY, COLORS & SIZES

US SIGN does **NOT** provide primary electrical to sign location-
RESPONSIBILITY OF OTHERS!

Customer Signature _____ Date _____
This design is the exclusive property of US SIGN and cannot be reproduced in whole or in part, without their prior written approval

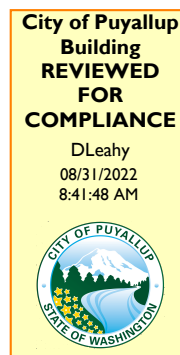
File Name: _____

Page: **##**

Of: **##**



**4301 SOUTH MERIDIAN
SUITE F3
PUYALLUP, WA 98373**



FULL SIZED LEDGIBLE COLOR PLANS ARE REQUIRED TO BE PROVIDED BY THE PERMITTEE ON SITE FOR ALL INSPECTIONS MIN. PLAN SIZE 11 X 17

NOTE: CONCEPTUAL IMAGE ONLY
VERIFY ARTWORK AND DIMENSIONS
PRIOR TO FABRICATION

**City of Puyallup
Development & Permitting Services
ISSUED PERMIT**

Building	Planning
Engineering	Public Works
Fire	Traffic



SITE PLAN



Date: _____
 Salesperson: TL
 Coordinator: TL
 Designer: JT
 Scale: 3/8"=1'

Revisions

△	△
△	△
△	△
△	△

CUSTOMER APPROVAL

Customer Signature _____ Date _____
 COPY, COLORS & SIZES

US SIGN does **NOT** provide primary electrical to sign location-
RESPONSIBILITY OF OTHERS!

Customer Signature _____ Date _____
 This design is the exclusive property of US SIGN and cannot be reproduced in whole or in part, without their prior written approval

File Name: _____

Page: ##

Of: ##



SITE PLAN

(A) SIGN LOCATION

TOTAL SIGN = 39.875 SQ. FT.
SIGN WEIGHT = 70LBS

City of Puyallup
 Development & Permitting Services
ISSUED PERMIT

Building	Planning
Engineering	Public Works
Fire	Traffic

40ft



PRSG20221184



EXISTING



CENTER SIGN ON SIGN BAND



1 Face/Halo Lit Channel Letters on Raceway with Contour Backer - QTY: 1

- 3" deep aluminum letters - black returns/trimcap
- Plex faces with 3630-246 vinyl overlay - Pin mount letters 1 1/2" off backer DIGITAL PRINT GRAPHIC
- .125" alum backer - paint to match fascia
- Custom 12" tall raceway - paint to match fascia

APPROVED PLAN
CITY OF PUYALLUP
PLANNING DIVISION

APPROVED BY: GClark

DATE: 09/21/2022

CASE NO.: PRSG20221184

CONDITIONS:

14'-0"

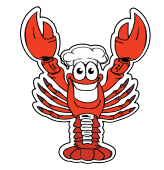
City of Puyallup
Development & Permitting Services
ISSUED PERMIT

Building	Planning
Engineering	Public Works
Fire	Traffic

TOTAL SIGN = 39.875 SQ. FT.
SIGN WEIGHT = 70LBS
TENANT STORE FRONT = 1000SQ. FT.

US SIGN 1

WHOLESALE SIGN MANUFACTURER
1819 CENTRAL AVE. S. BLDG C-8
KENT, WA 98032 (206) 468-3999



Date: _____

Salesperson: TL

Coordinator: TL

Designer: JT

Scale: 3/8"=1'

Revisions	
△	△
△	△
△	△
△	△

CUSTOMER APPROVAL

Customer Signature _____ Date _____
COPY, COLORS & SIZES

US SIGN does NOT provide primary electrical to sign location- RESPONSIBILITY OF OTHERS!

Customer Signature _____ Date _____
This design is the exclusive property of US SIGN and cannot be reproduced in whole or in part, without their prior written approval

File Name: _____

Page: ##

Of: ##



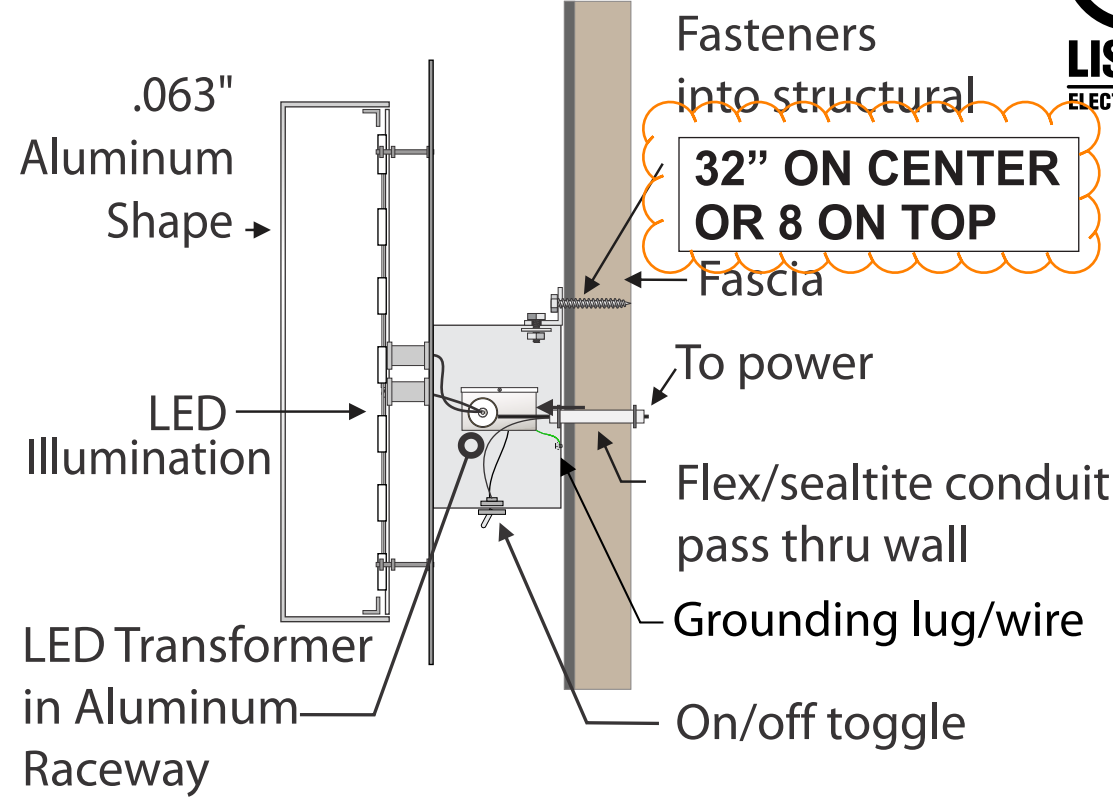
ELEVATION

PRSG20221184

PROPOSED

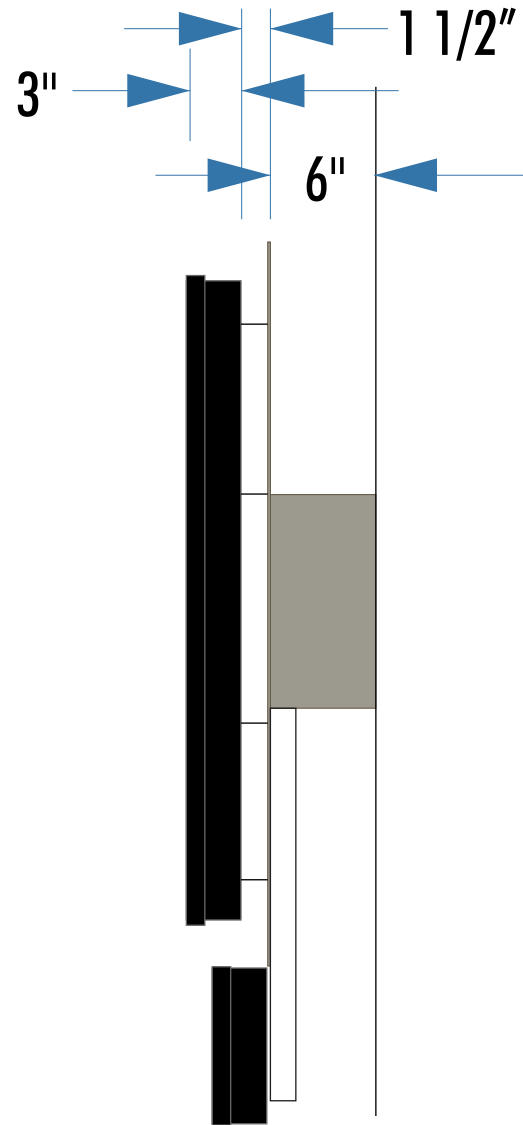
40'-0"

CHANNEL LETTERS ON RACEWAY- ATTACHMENT DETAIL



STUCCO / DRIVET
3/8" x 3" LAG BOLTS

UL This sign intended to be installed in accordance with the requirements of Article 600 of the National Electrical Code and /or other applicable local codes.



FASTENER SCHEDULE	
Thru-Bolt Mounting 	3/8" THREADED ROD FOR USE IN THRU BOLT APPLICATIONS
Hanger Bolts 	3/8" LAG SCREW FOR USE IN WOOD BLOCKING 1 1/2" MIN PENETRATION
Masonry Lag Bolt Mounting 	MASONRY EXPANSION BOLT w/ADHESIVE EMBED 2" MIN

WHITE ACRYLIC FACE
WITH 3M POPPY RED
VINYL OVERLAY
3/4" BLACK TRIM
CAP AND BLACK
RETURN 040 ALUMINUM

SIGN WILL BE ILLUMINATED
WITH HANLEY 1 WATT PER
MODULE LED WHITE WITH
60 WATTS
POWER SUPPLY CLASS 2



U.L. LABELS REQUIRED
INSTALL IN ACCORDANCE W/
NATIONAL ELECTRIC CODES



TOTAL SIGN = 39.875 SQ. FT.
SIGN WEIGHT = 70LBS

City of Puyallup Development & Permitting Services ISSUED PERMIT	
Building	Planning
Engineering	Public Works
Fire	Traffic



Date: _____
Salesperson: TL
Coordinator: TL
Designer: JT
Scale: 3/8"=1'

Revisions

△	△
△	△
△	△
△	△

CUSTOMER APPROVAL

Customer Signature _____ Date _____
COPY, COLORS & SIZES

US SIGN does NOT provide primary
electrical to sign location-
RESPONSIBILITY OF OTHERS!

Customer Signature _____ Date _____
This design is the exclusive property of US SIGN
and cannot be reproduced in whole or in part,
without their prior written approval

File Name: _____

Page: ##

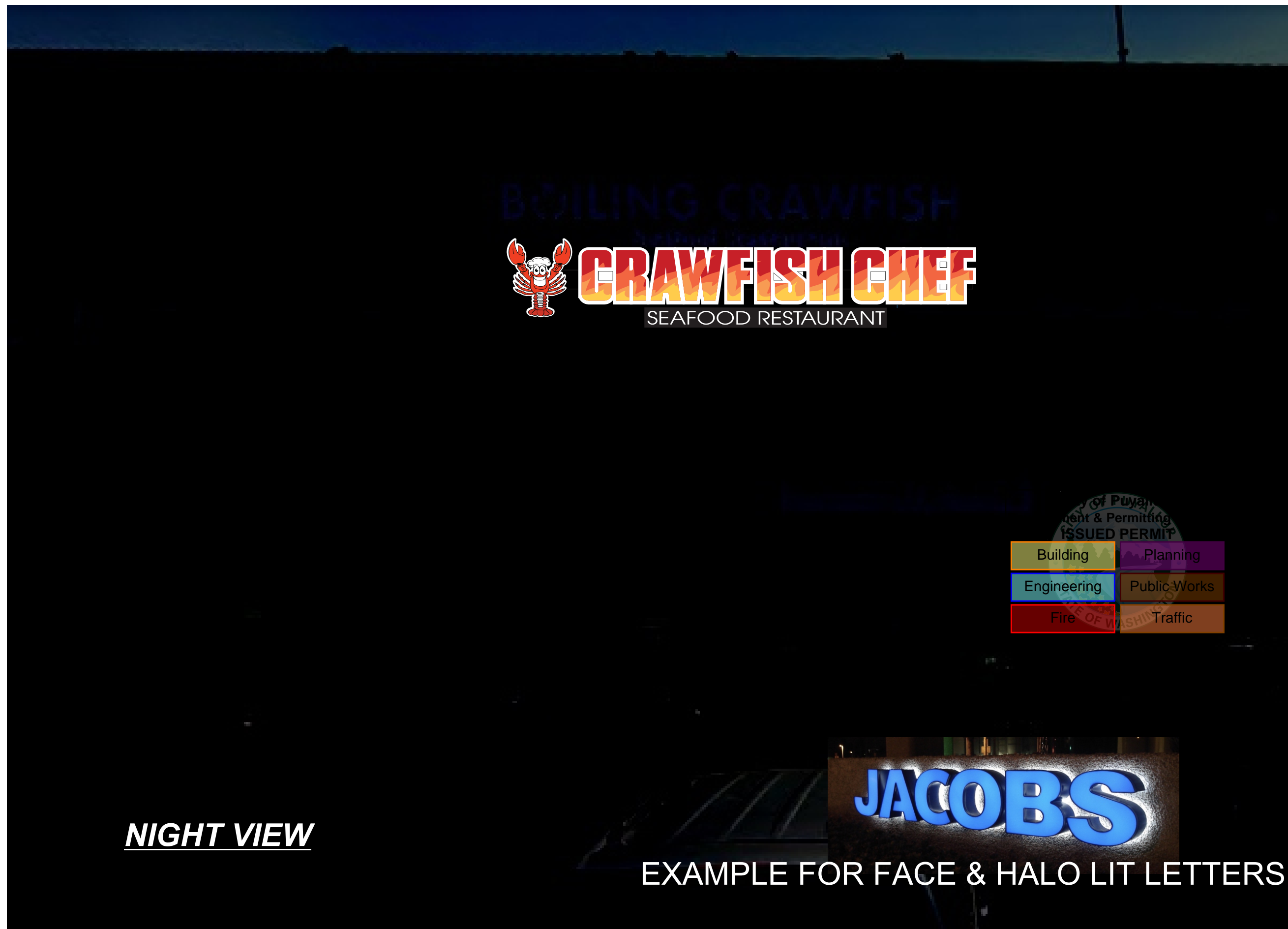
Of: ##



ATTACHMENT

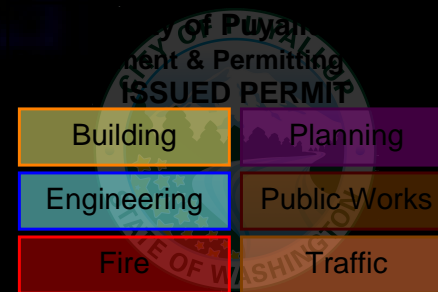
ATTACHMENT DETAIL

PRSG20221184



NIGHT VIEW

EXAMPLE FOR FACE & HALO LIT LETTERS



Date: _____
 Salesperson: TL
 Coordinator: TL
 Designer: JT
 Scale: 3/8"=1'

Revisions

△	△
△	△
△	△
△	△

CUSTOMER APPROVAL

Customer Signature _____ Date _____
 COPY, COLORS & SIZES

US SIGN does **NOT** provide primary electrical to sign location-
RESPONSIBILITY OF OTHERS!

Customer Signature _____ Date _____
 This design is the exclusive property of US SIGN and cannot be reproduced in whole or in part, without their prior written approval

File Name: _____

Page: ##

Of: ##



NIGHT VIEW

PRSG20221184