

ABBREVIATIONS

Table with 2 columns: Abbreviation and Full Name. Includes entries like AB ANCHOR BOLT, ACOUS ACOUSTIC, ACT ACOUSTICAL CEILING TILE, etc.

ABBREVIATIONS

Table with 2 columns: Abbreviation and Full Name. Includes entries like MAT MATERIAL, MAX MAXIMUM, MECH MECHANICAL, etc.

MERIDIAN POINTE APARTMENTS RESIDENTIAL UNIT REHABILITATION

407 VALLEY AVE. N.E. PUYALLUP, WA 98372

PROJECT INFORMATION

Table with 2 columns: Field Name and Value. Includes PROJECT SCOPE, PARCEL NUMBER, PROJECT LOCATION, etc.

SCOPE OF WORK:

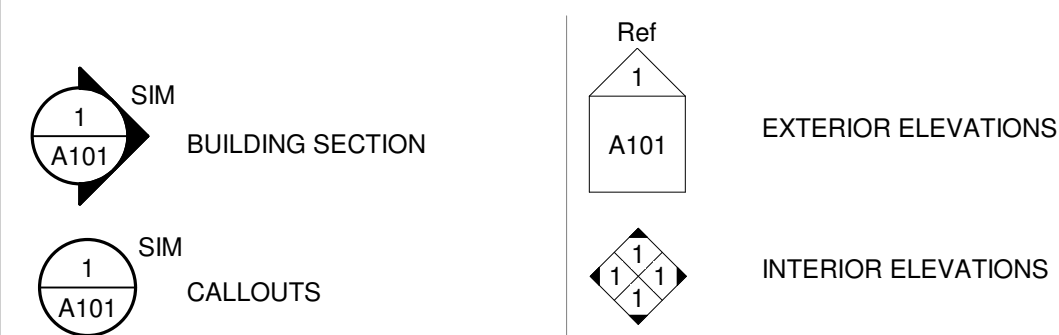
THE SCOPE OF WORK COMPRISES OF THE REMOVAL AND REPLACEMENT OF EXISTING APPLIANCES, FIXTURES AND FLOORING THROUGHOUT. THE FOLLOWING ITEMS INCLUDE:

- 1) REMOVE AND REPLACE EXISTING GRAY POLY WATER LINES WITH WIRSBO/PEX PIPING WITHIN THE UNITS. ALL NEW HOT WATER LINES TO BE INSULATED. DRYWALL REMOVAL WHERE GRAY POLY WATER LINES ARE LOCATED AND/OR NEW PIPING TO BE INSTALLED.
2) EXISTING COPPER PIPING, WASTE LINES, FIRE SPRINKLERS AND HEAD, AND WATER SUPPLY LINE TO BUILDINGS TO REMAIN.
3) WHERE DRYWALL IS REMOVED WITHIN A RATED ASSEMBLY, THE DRYWALL SHALL BE REPLACED WITH 5/8" TYPE X DRYWALL (CERTAINTED OR EQUAL) AND FIRESTOP SEALANT (ST1 WF300) WILL BE APPLIED AT ANY PENETRATIONS THROUGH THE RATED ASSEMBLIES.
4) REPLACE EXISTING CABINETS LIKE FOR LIKE AS WELL AS COUNTERTOPS. NO CHANGE TO EXISTING ELEVATION OF CABINETS FOR STANDARD UNITS. EXISTING ADA UNITS TO REMAIN ACCESSIBLE WHERE THE TOP OF SINK RIM WILL NOT EXCEED 34" FROM FINISH FLOOR. REMOVABLE DOORS AND BOTTOMS SHELF/TOE KICKS TO PROVIDE UNDER SINK AND WORKSTATION FOR 60" MIN CLEARANCE (WIDTH) AND 27" MIN. CLEARANCE UNDER SINK. EXISTING WALLS WILL NOT BE MOVED WITH THE RENOVATION. TO THE EXTENT POSSIBLE, BEST EFFORTS WILL BE MADE WITHIN EXISTING KITCHEN AND BATHROOM FOOTPRINTS TO MEET CURRENT ADA STANDARDS.
5) REPLACE EXISTING FLOORING MATERIAL LIKE FOR LIKE.
6) REPLACE MILLWORK, INTERIOR DOORS AND HARDWARE LIKE FOR LIKE.
7) REPLACE EXISTING PLUMBING FIXTURES INCLUDING DISPOSALS. NO CHANGE TO EXISTING LOCATIONS OR COUNT.
8) REPLACE HOT WATER TANKS INCLUDING SEISMIC STRAP AND EXPANSION TANK.
9) REPLACE LAVATORIES.
10) REPLACE AUTO WASHER BOX ALL LOCATED WITHIN THE INTERIOR UNIT WALLS.
11) REPLACE ANGLE STOPS
12) REPLACE SHOWER VALVE INCLUDING RISER TO HEAD AND STUB TO SPOUT.
13) REPLACE PLASTIC LAMINATE TUB SURROUND WITH LIKE FOR LIKE.
14) REPLACE ALL EXISTING ELECTRICAL DEVICES.
15) REPLACE EXISTING BATHROOM FANS WITH DUAL SPEED EXHAUST FANS. NO NEW DUCTWORK; EXISTING DUCTWORK AND CEILING TO REMAIN.
16) REPLACE APPLIANCES.
17) PAINT INTERIOR UNITS.
18) REPLACE EXISTING SMOKE & CARBON MONOXIDE DETECTOR IN ALL UNIT HALLWAYS. ADD SELF-CONTAINED, BATTERY OPERATED SMOKE ALARMS IN ALL UNIT BEDROOMS.

MATERIAL LEGEND

Table with 2 columns: Material Name and Symbol. Includes EARTH, AGGREGATE / POROUS, CONCRETE, CEMENT / CONCRETE UNDERLAYMENT, CONCRETE ASPHALT, RIGID INSULATION, BATT INSULATION.

SYMBOLS LEGEND



SHEET INDEX

Table with 4 columns: SHEET #, SHEET NAME, REV. #, REV. DATE. Lists sheets G-001 COVER SHEET and A-100 through A-216 ARCHITECTURAL.

PROJECT TEAM

Table with 2 columns: Role and Contact Information. Lists OWNER, CONTRACTOR, and ARCHITECT with their respective details.

THE APPROVED CONSTRUCTION PLANS, DOCUMENTS AND ALL ENGINEERING MUST BE POSTED ON THE JOB AT ALL INSPECTIONS IN A VISIBLE AND READILY ACCESSIBLE LOCATION. FULL SIZED LEDGIBLE COLOR PLANS ARE REQUIRED TO BE PROVIDED BY THE PERMITEE ON SITE FOR INSPECTION.

Approval of submitted plans is not an approval of omissions or oversights by this office or noncompliance with any applicable regulations of local government. The contractor is responsible for making sure that the building complies with all applicable codes and regulations of the local government.

City of Puyallup Building APPROVED

See permit for additional requirements.

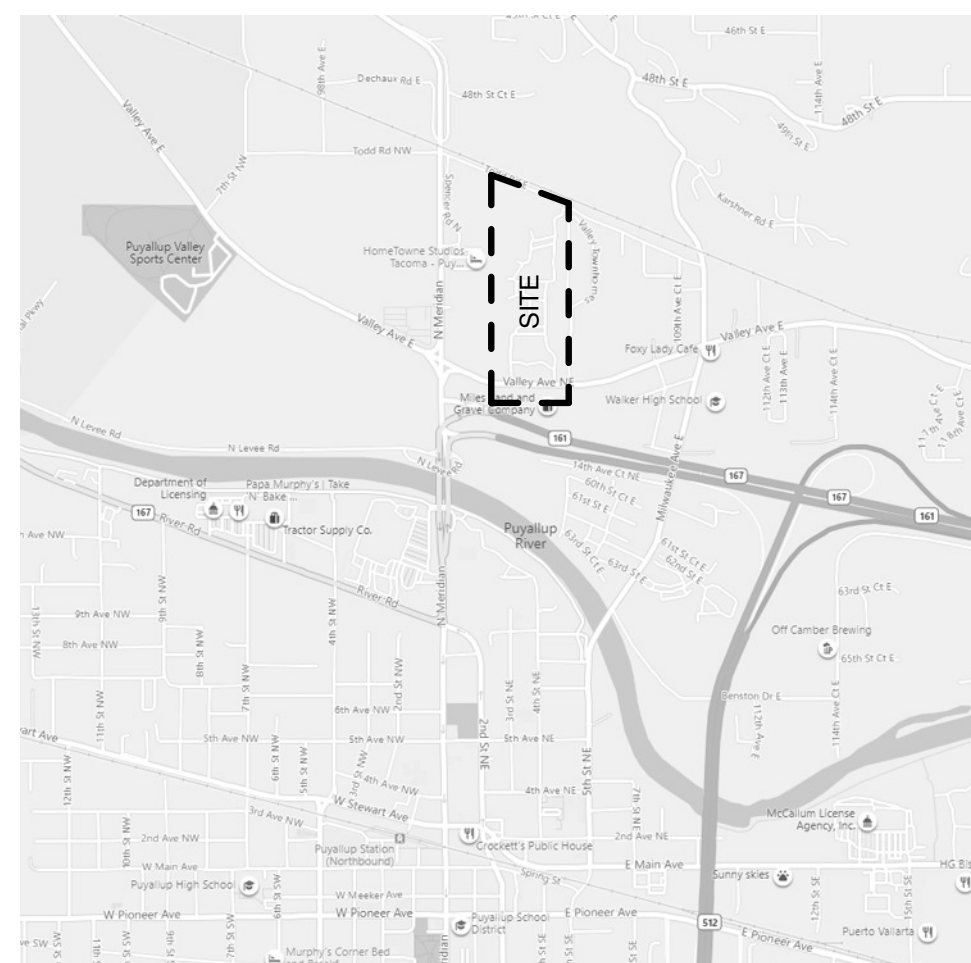
JMontgomery 12/16/2022 2:22:28 PM



REVISIONS

Table with 3 columns: #, CURRENT REVISION DESCRIPTION, REV. DATE.

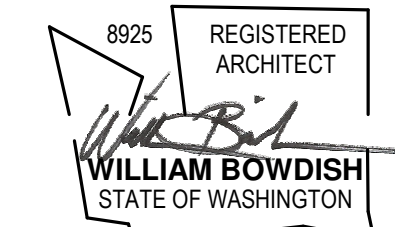
VICINITY MAP



R D + A

ROSS DECKMAN & ASSOCIATES INC. 207 FOURTH AVENUE SOUTHEAST, PUYALLUP, WASHINGTON 98372

PHONE: 253.840.9405 FAX: 253.840.9503



AGENCY REVIEW 09/14/2021

MERIDIAN POINTE APARTMENTS RESIDENTIAL UNIT REHABILITATION 407 VALLEY AVE. N.E. PUYALLUP, WA 98372 COVER SHEET

Table with 2 columns: #, DATE. For approval stamps.

APPROVAL STAMPS

City of Puyallup Development & Permitting Services ISSUED PERMIT. Includes stamps for Building, Planning, Engineering, Public Works, Fire, and Traffic.

JOB NO.: 1922 ISSUE DATE: 09/14/2021 REVISED: DRAWN BY: BM SHEET

G-001

9/14/2021 9:48:15 AM

PRCTI20221869

**BUILDING 'A' UNITS**

UNIT TYPE	NET AREA	COUNT
BUILDING 'A'		
1 BED / 1 BATH	683 SF	20
		20

**BUILDING 'B' UNITS**

UNIT TYPE	NET AREA	COUNT
BUILDING 'B'		
1 BED / 1 BATH	683 SF	22
		22

**BUILDING 'C' UNITS**

UNIT TYPE	NET AREA	COUNT
BUILDING 'C'		
1 BED / 1 BATH	683 SF	10
1 BED / 1 BATH ADA	683 SF	2
2 BED / 2 BATH	899 SF	12
		24

**BUILDING 'D' UNITS**

UNIT TYPE	NET AREA	COUNT
BUILDING 'D'		
3 BED / 2 BATH	1,121 SF	10
3 BED / 2 BATH ADA	1,121 SF	2
		12

**BUILDING 'E' UNITS**

UNIT TYPE	NET AREA	COUNT
BUILDING 'E'		
1 BED / 1 BATH	683 SF	21
1 BED / 1 BATH ADA	683 SF	1
		22

**BUILDING 'F' UNITS**

UNIT TYPE	NET AREA	COUNT
BUILDING 'F'		
2 BED / 2 BATH	899 SF	12
3 BED / 2 BATH	1,121 SF	12
		24

**BUILDING 'G' UNITS**

UNIT TYPE	NET AREA	COUNT
BUILDING 'G'		
3 BED / 2 BATH	1,121 SF	12
		12

**BUILDING 'H' UNITS**

UNIT TYPE	NET AREA	COUNT
BUILDING 'H'		
1 BED / 1 BATH	683 SF	12
2 BED / 1 BATH	868 SF	6
		18

**BUILDING 'J' UNITS**

UNIT TYPE	NET AREA	COUNT
BUILDING 'J'		
1 BED / 1 BATH	683 SF	12
2 BED / 2 BATH	899 SF	10
2 BED / 2 BATH ADA	899 SF	2
		24

**BUILDING 'K' UNITS**

UNIT TYPE	NET AREA	COUNT
BUILDING 'K'		
2 BED / 1 BATH	868 SF	20
		20

**BUILDING 'L' UNITS**

UNIT TYPE	NET AREA	COUNT
BUILDING 'L'		
2 BED / 1 BATH	868 SF	12
2 BED / 2 BATH	899 SF	12
		24

**BUILDING 'M' UNITS**

UNIT TYPE	NET AREA	COUNT
BUILDING 'M'		
2 BED / 1 BATH	868 SF	12
2 BED / 2 BATH	899 SF	10
2 BED / 2 BATH ADA	899 SF	2
		24

**BUILDING 'N' UNITS**

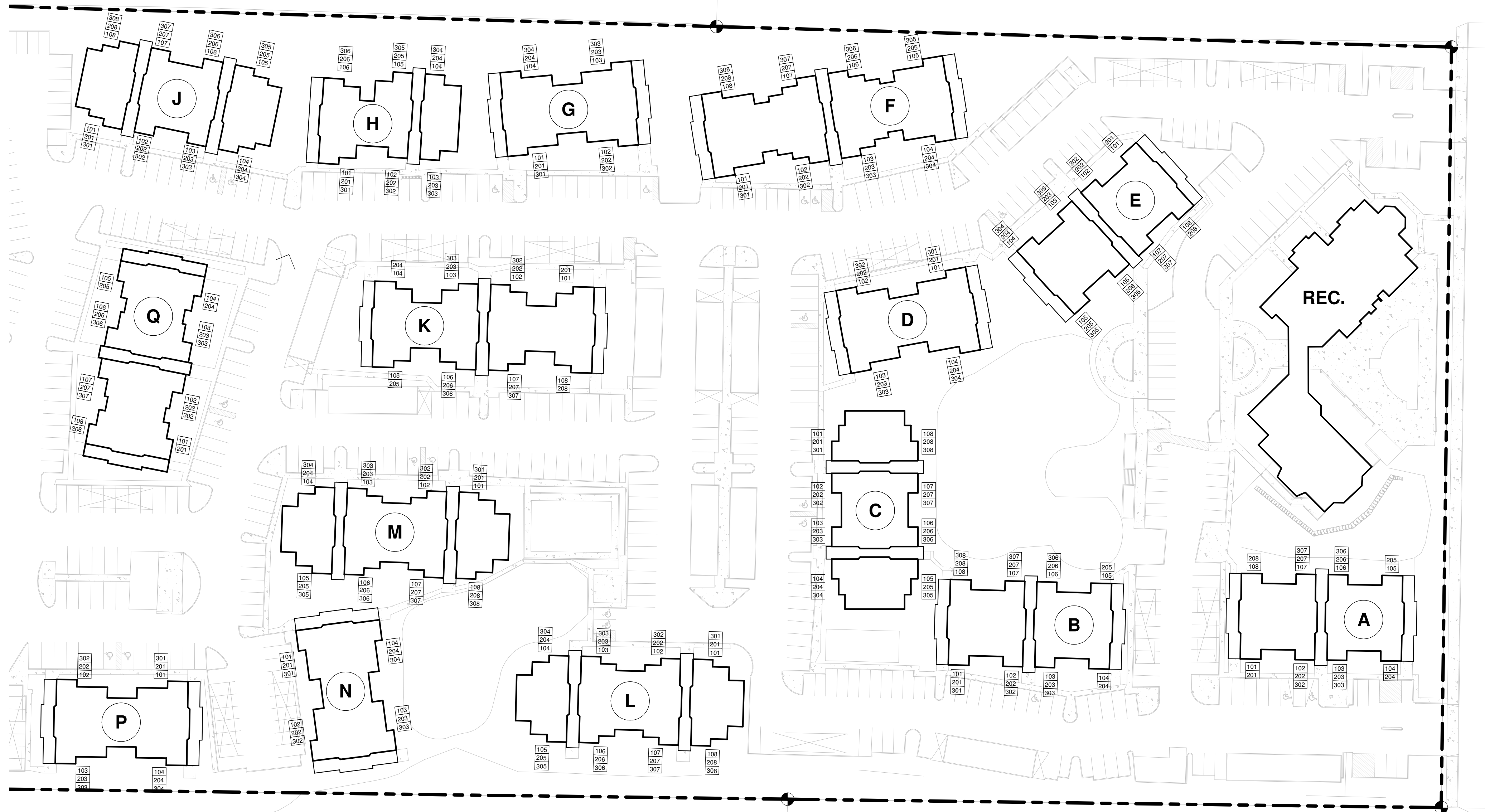
UNIT TYPE	NET AREA	COUNT
BUILDING 'N'		
3 BED / 2 BATH	1,121 SF	12
		12

**BUILDING 'P' UNITS**

UNIT TYPE	NET AREA	COUNT
BUILDING 'P'		
3 BED / 2 BATH	1,121 SF	10
3 BED / 2 BATH ADA	1,121 SF	2
		12

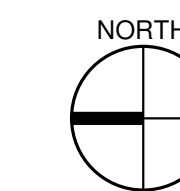
**BUILDING 'Q' UNITS**

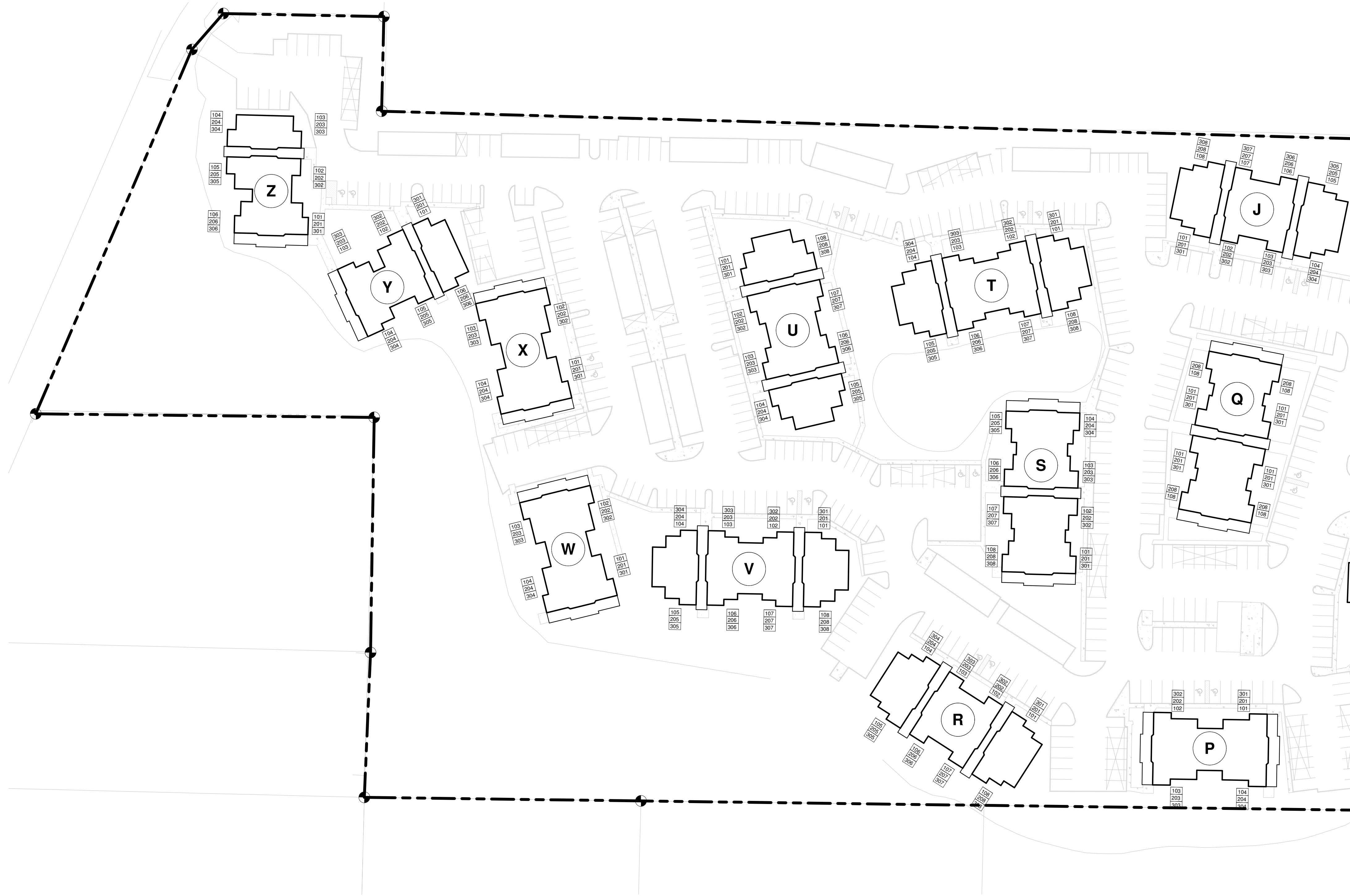
UNIT TYPE	NET AREA	COUNT
BUILDING 'Q'		
1 BED / 1 BATH	683 SF	10
1 BED / 1 BATH ADA	683 SF	2
2 BED / 2 BATH	899 SF	8
		20



**OVERALL SITE PLAN - PHASE I**

1" = 50'-0"





**BUILDING 'J' UNITS**

UNIT TYPE	NET AREA	COUNT
1 BED / 1 BATH	683 SF	12
2 BED / 2 BATH	899 SF	10
2 BED / 2 BATH ADA	899 SF	2
		24

**BUILDING 'P' UNITS**

UNIT TYPE	NET AREA	COUNT
3 BED / 2 BATH	1,121 SF	10
3 BED / 2 BATH ADA	1,121 SF	2
		12

**BUILDING 'Q' UNITS**

UNIT TYPE	NET AREA	COUNT
1 BED / 1 BATH	683 SF	10
1 BED / 1 BATH ADA	683 SF	2
2 BED / 2 BATH	899 SF	8
		20

**BUILDING 'R' UNITS**

UNIT TYPE	NET AREA	COUNT
1 BED / 1 BATH	683 SF	10
1 BED / 1 BATH ADA	683 SF	2
2 BED / 2 BATH	899 SF	12
		24

**BUILDING 'S' UNITS**

UNIT TYPE	NET AREA	COUNT
1 BED / 1 BATH	683 SF	11
1 BED / 1 BATH ADA	683 SF	1
2 BED / 2 BATH	899 SF	11
2 BED / 2 BATH ADA	899 SF	1
		24

**BUILDING 'T' UNITS**

UNIT TYPE	NET AREA	COUNT
2 BED / 1 BATH	868 SF	12
2 BED / 2 BATH	899 SF	10
2 BED / 2 BATH ADA	899 SF	2
		24

**BUILDING 'U' UNITS**

UNIT TYPE	NET AREA	COUNT
2 BED / 1 BATH	868 SF	12
2 BED / 2 BATH	899 SF	10
2 BED / 2 BATH ADA	899 SF	2
		24

**BUILDING 'V' UNITS**

UNIT TYPE	NET AREA	COUNT
2 BED / 1 BATH	868 SF	12
2 BED / 2 BATH	899 SF	10
2 BED / 2 BATH ADA	899 SF	2
		24

**BUILDING 'W' UNITS**

UNIT TYPE	NET AREA	COUNT
3 BED / 2 BATH	1,121 SF	12
		12

**BUILDING 'X' UNITS**

UNIT TYPE	NET AREA	COUNT
3 BED / 2 BATH	1,121 SF	11
3 BED / 2 BATH ADA	1,121 SF	1
		12

**BUILDING 'Y' UNITS**

UNIT TYPE	NET AREA	COUNT
1 BED / 1 BATH	683 SF	12
2 BED / 1 BATH	868 SF	6
		18

**BUILDING 'Z' UNITS**

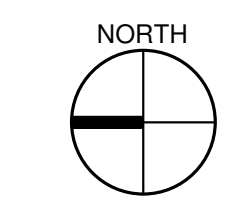
UNIT TYPE	NET AREA	COUNT
1 BED / 1 BATH	683 SF	12
2 BED / 1 BATH	868 SF	6
		18

#	DESC.	APPROVAL STAMPS	
		DATE	

City of Puyallup  
 Development & Permitting Services  
**ISSUED PERMIT**

Building	Planning
Engineering	Public Works
Fire	Traffic

JOB NO.:	1922
ISSUE DATE:	09/14/2021
REVISED:	
DRAWN BY:	BM
SHEET	



**OVERALL SITE PLAN - PHASE II**

1" = 50'-0"

PROJECT

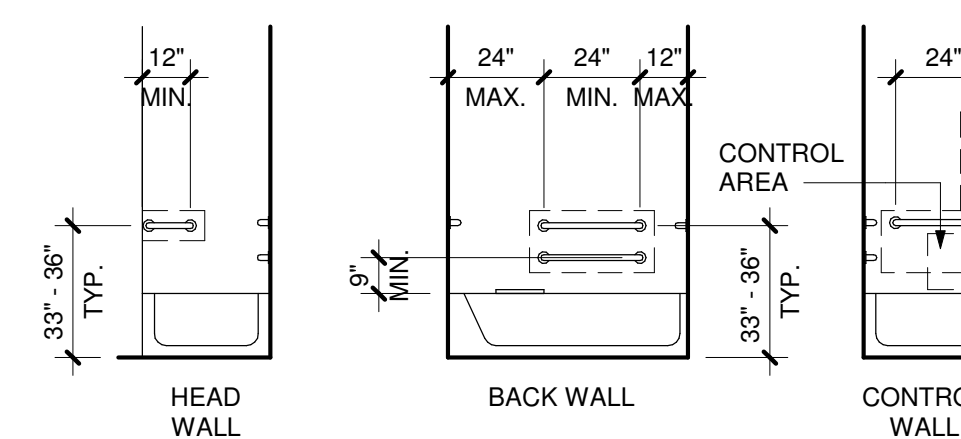
#	DATE

APPROVAL STAMPS

City of Puyallup  
Development & Permitting Services  
**ISSUED PERMIT**

Building	Planning
Engineering	Public Works
Fire	Traffic

JOB NO.: 1922  
ISSUE DATE: 09/14/2021  
REVISED:  
DRAWN BY: BM  
SHEET



**GRAB BARS:**  
INSTALL GRAB BARS 33" MIN & 36" MAX AFF. GRAB BARS SHALL COMPLY WITH AND MEET THE STRUCTURAL STRENGTH REQUIREMENTS OF ANSI SEC. 609.8. LOCATE GRAB BARS PER ANSI SEC. 607.4.2.

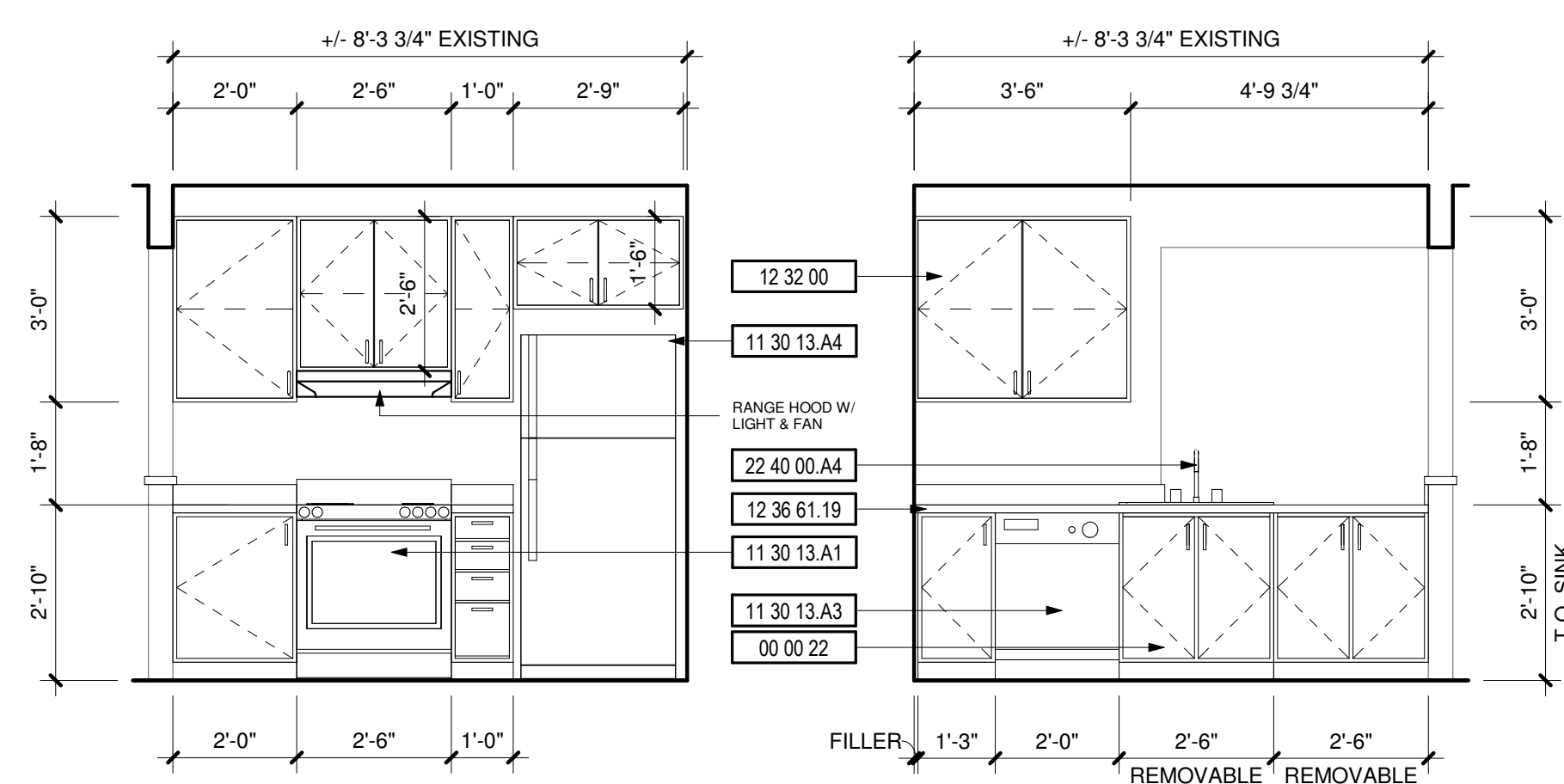
**SEAT:**  
A REMOVABLE SEAT IS NOT REQUIRED PER ANSI SEC. 1003.11.2.5.1 EX.1.

**CONTROLS:**  
607.5 CONTROLS, OTHER THAN DRAIN STOPPERS, SHALL BE PROVIDED ON AN END WALL, LOCATED BETWEEN THE BATHTUB RIM AND GRAB BAR, AND BETWEEN THE OPEN SIDE OF THE BATHTUB AND THE CENTERLINE OF THE WIDTH OF THE BATHTUB. CONTROLS SHALL COMPLY WITH SECTION 309.4. THE ADJUSTABLE HEIGHT HAND SHOWER SHALL INCLUDE A 59" MIN LONG HOSE AND COMPLY WITH ANSI SEC. 607.6. CONTROLS SHALL NOT OBSTRUCT THE USE OF GRAB BARS.

**1 BATHTUB REQUIREMENTS**  
1/4" = 1'-0"

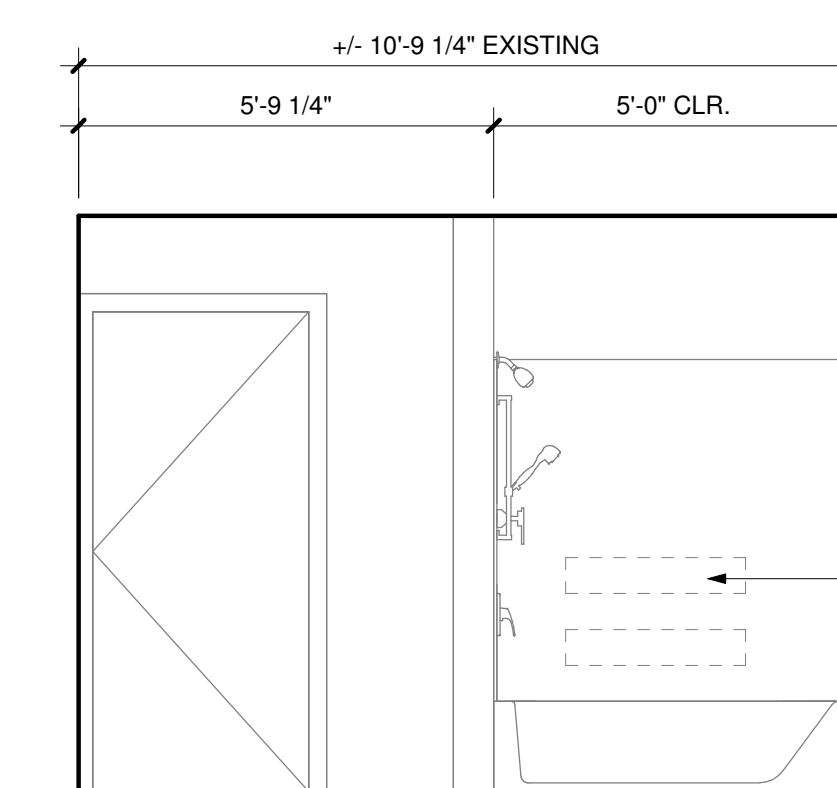
**2 ENLARGED UNIT PLAN - 1 BED/1 BATH (ADA)**  
1/4" = 1'-0"

**3 ENLARGED UNIT PLAN - 1 BED/1 BATH (TYP)**  
1/4" = 1'-0"

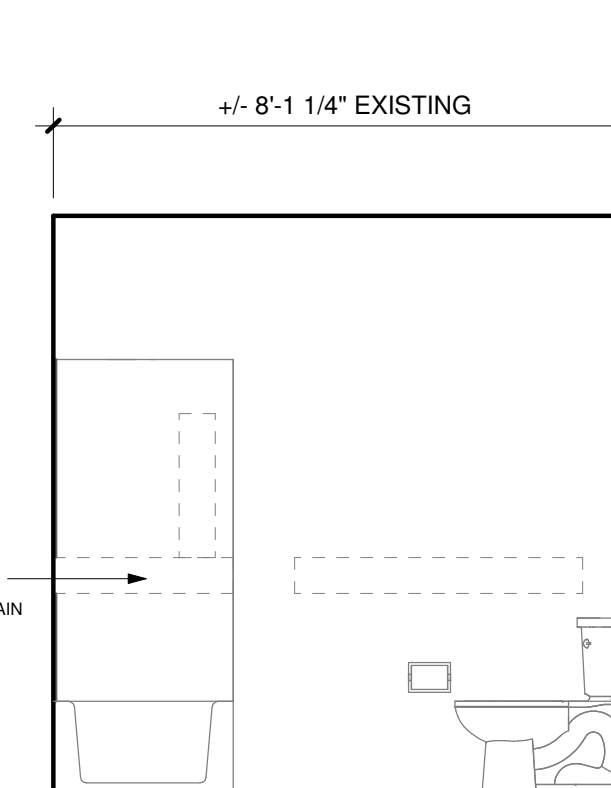


4 KITCHEN (ADA)  
3/8" = 1'-0"

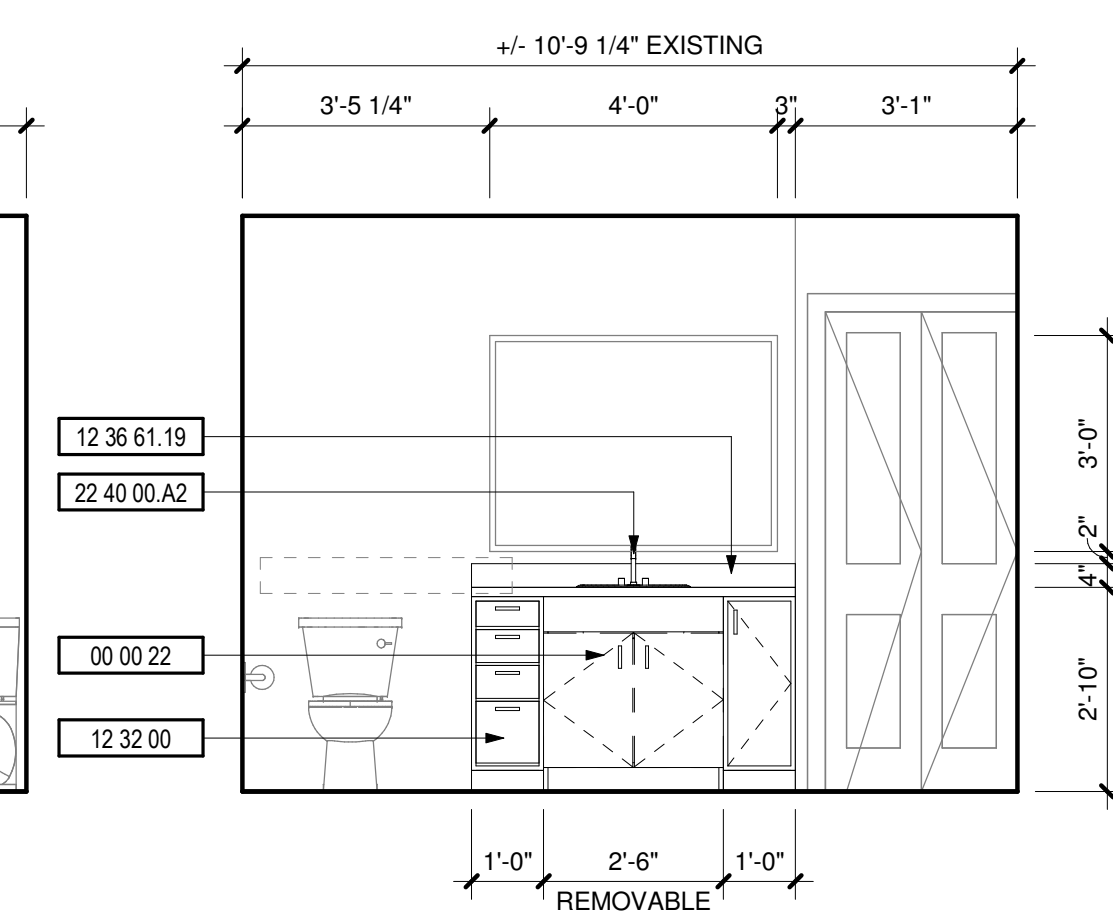
5 KITCHEN (ADA)  
3/8" = 1'-0"



6 BATHROOM (ADA)  
3/8" = 1'-0"



7 BATHROOM (ADA)  
3/8" = 1'-0"



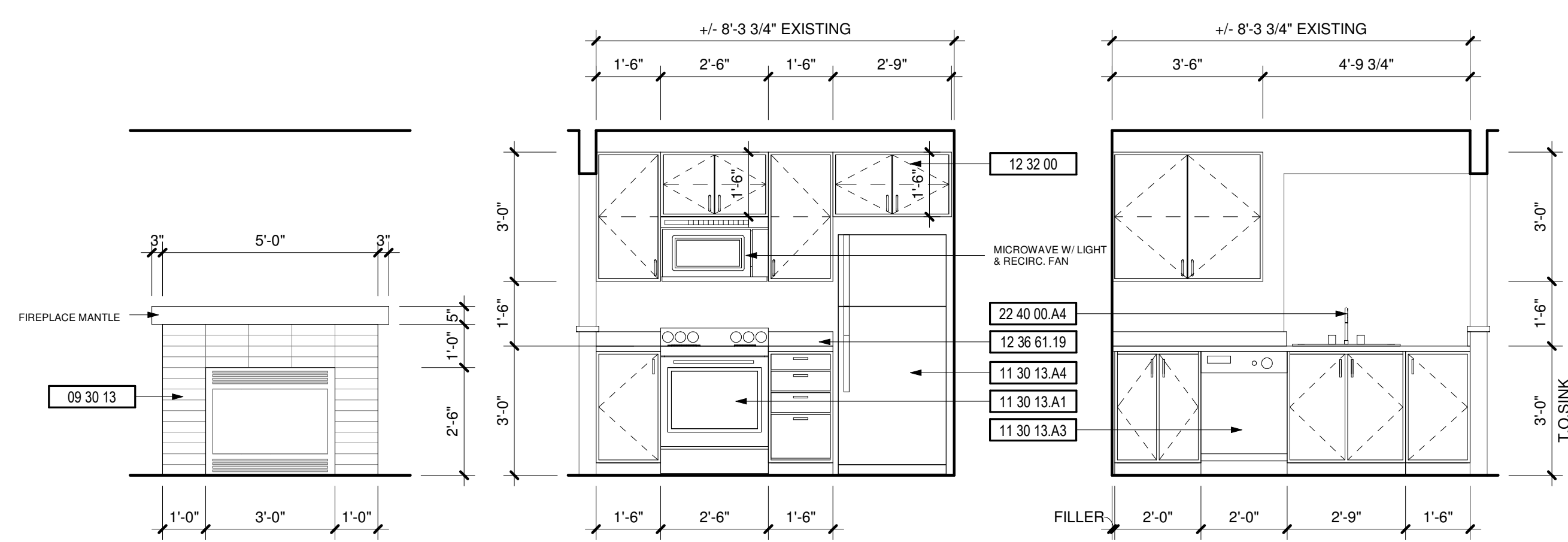
8 BATHROOM (ADA)  
3/8" = 1'-0"

**DEMOLITION NOTES**

#	DESCRIPTION
1	REPLACE ALL EXISTING FLOORING & BASE AND FIREPLACE HEARTH. PREP FOR NEW FINISH AS REQUIRED.
2	DEMO ALL EXISTING UPPER & LOWER CABINETS AND PLUMBING FIXTURE AT KITCHEN. ALL EXISTING APPLIANCES TO BE REMOVED. PREP WALL AND FLOOR FOR NEW FINISHES.
3	REPLACE EXISTING LIGHT FIXTURES. PREP FOR NEW FIXTURE AS REQUIRED.
4	DEMO ALL EXISTING LOWER CABINET, PLUMBING FIXTURE & MIRROR. PREP FOR NEW FINISHES AS REQUIRED.
5	DEMO HALF WALL AND EXISTING COUNTER TO ACCOMMODATE NEW COUNTER.
6	MEDICINE CABINET TO BE REMOVED AND REPLACED BY OWNER.
7	DEMO EXISTING MANTLE & FIRE PLACE TILE SURROUND. PREP FOR NEW FINISHES. SEE FIREPLACE ELEVATION FOR DETAILS.
8	REMOVE EXISTING COUNTERSHELF AT LIVING ROOM. PATCH & REPAIR WALL AS REQUIRED FOR NEW FINISHES.
9	REPLACE EXISTING SHOWER HEAD, SHOWER CONTROL KNOB, VALVE, AND ASSOCIATED RISER PIPING.
10	SEE DETAIL 1/A-213 FOR BATHTUB CONTROL AND GRAB BAR LOCATIONS FOR BATHROOMS.

**KEYNOTES**

#	DESCRIPTION
00 00 22	REMOVABLE CABINET, EXTEND FLOORING TO WALL AT BACK OF EACH REMOVABLE CABINET
09 30 13	CERAMIC TILING
11 30 13.A1	RANGE
11 30 13.A3	DISHWASHER
11 30 13.A4	REFRIGERATOR
12 32 00	MANUFACTURED WOOD CASEWORK
12 36 61.19	QUARTZ AGGLOMERATE COUNTERTOPS
22 40 00.A2	LAVATORY/FAUCET
22 40 00.A4	UNDER COUNTER SINK/FAUCET

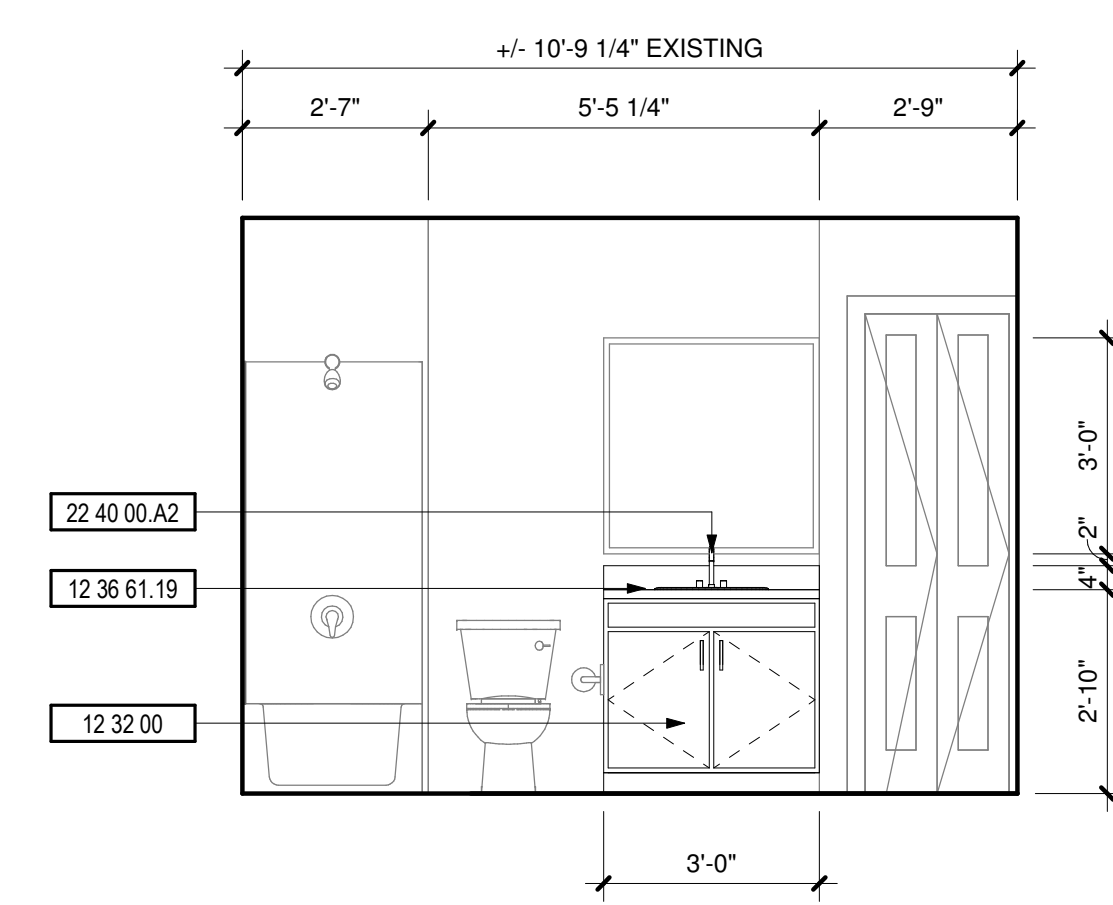


9 FIREPLACE  
3/8" = 1'-0"

10 KITCHEN  
3/8" = 1'-0"

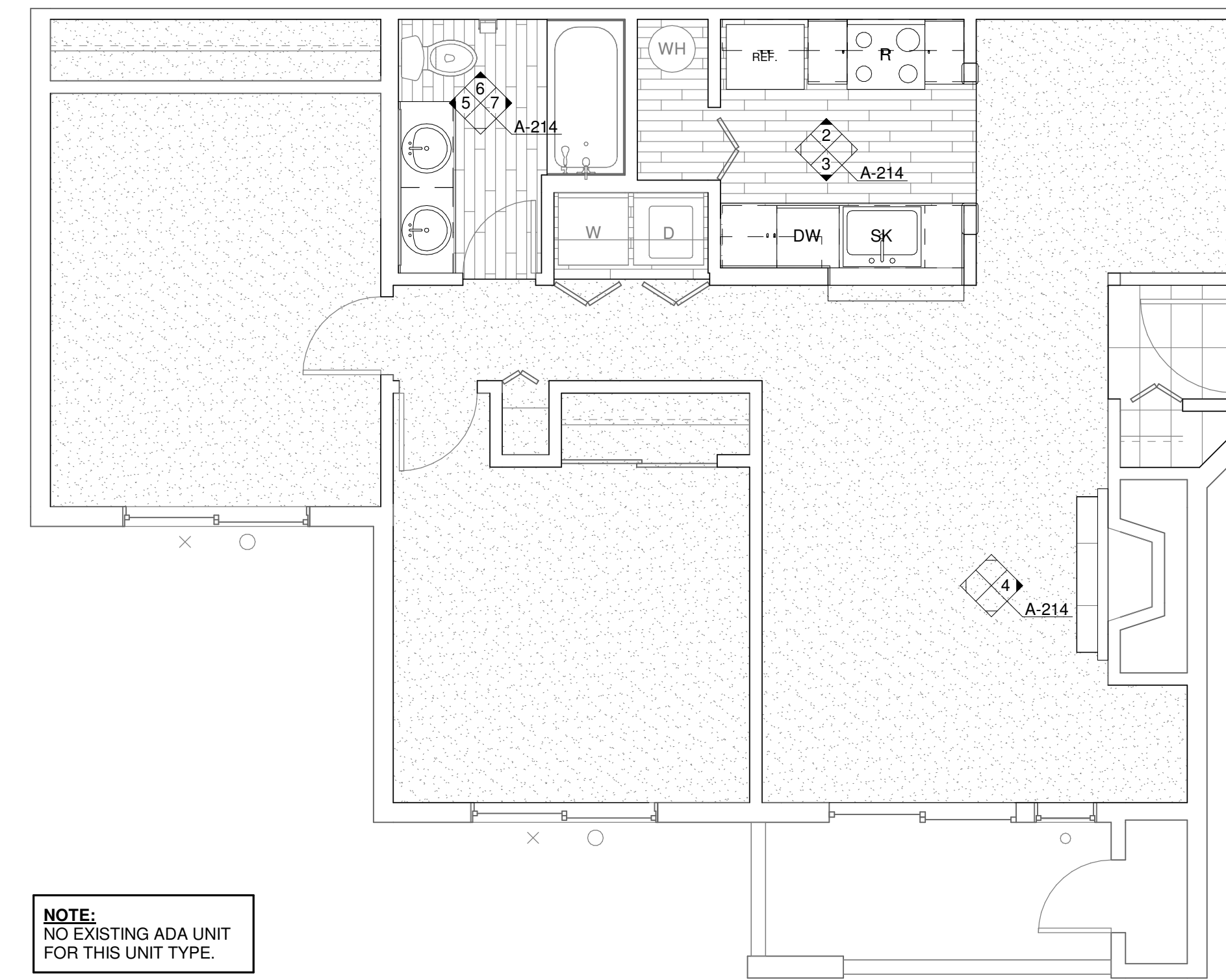
11 KITCHEN  
3/8" = 1'-0"

12 DINING ROOM  
3/8" = 1'-0"



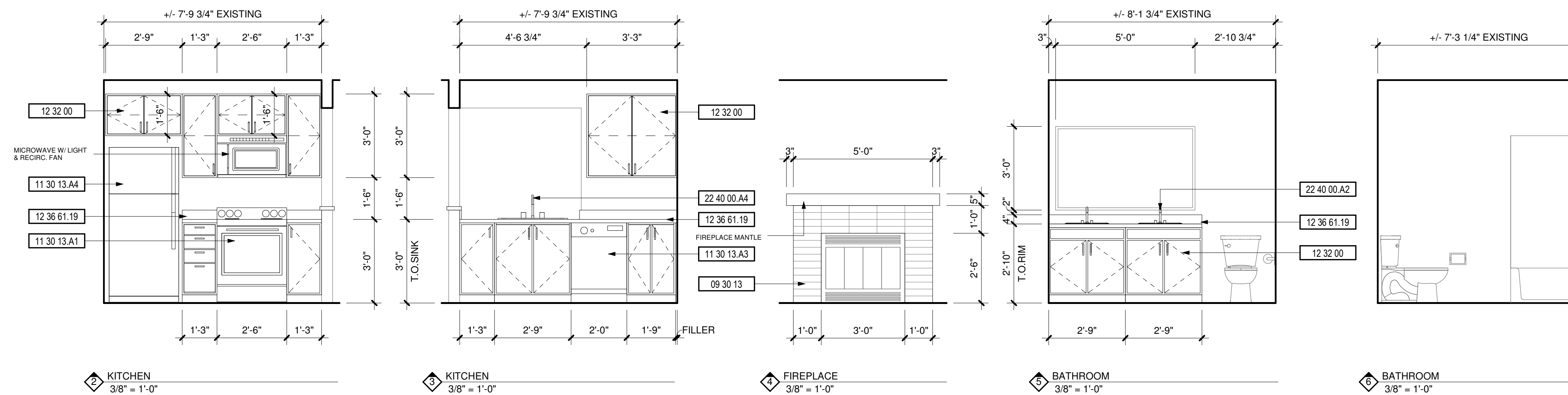
13 BATHROOM  
3/8" = 1'-0"

PRCTI20221869



NOTE:  
NO EXISTING ADA UNIT  
FOR THIS UNIT TYPE.

**1 ENLARGED UNIT PLAN - 2 BED/1 BATH (TYP)**  
1/4" = 1'-0"



**DEMOLITION NOTES**

#	DESCRIPTION
1	REPLACE ALL EXISTING FLOORING & BASE AND FIREPLACE HEARTH. PREP FOR NEW FINISH AS REQUIRED.
2	DEMO ALL EXISTING UPPER & LOWER CABINETS AND PLUMBING FIXTURE AT KITCHEN. ALL EXISTING APPLIANCES TO BE REMOVED. PREP WALL AND FLOOR FOR NEW FINISHES.
3	REPLACE EXISTING LIGHT FIXTURES. PREP FOR NEW FIXTURE AS REQUIRED.
4	DEMO ALL EXISTING LOWER CABINET, PLUMBING FIXTURE & MIRROR. PREP FOR NEW FINISHES AS REQUIRED.
5	DEMO HALF WALL AND EXISTING COUNTER TO ACCOMMODATE NEW COUNTER.
6	MEDICINE CABINET TO BE REMOVED AND REPLACED BY OWNER.
7	DEMO EXISTING MANTLE & FIRE PLACE TILE SURROUND. PREP FOR NEW FINISHES. SEE FIREPLACE ELEVATION FOR DETAILS.
8	REMOVE EXISTING COUNTERSHELF AT LIVING ROOM. PATCH & REPAIR WALL AS REQUIRED FOR NEW FINISHES.
9	REPLACE EXISTING SHOWER HEAD, SHOWER CONTROL KNOB, VALVE, AND ASSOCIATED RISER PIPING.
10	SEE DETAIL 1/A-213 FOR BATHTUB CONTROL AND GRAB BAR LOCATIONS FOR BATHROOMS.

**KEYNOTES**

#	DESCRIPTION
09 30 13	CERAMIC TILING
11 30 13.A1	RANGE
11 30 13.A3	DISHWASHER
11 30 13.A4	REFRIGERATOR
12 32 00	MANUFACTURED WOOD CASEWORK
12 36 61.19	QUARTZ AGGLOMERATE COUNTERTOPS
22 40 00.A2	LAVATORY/FAUCET
22 40 00.A4	UNDER COUNTER SINK/FAUCET

#	PROJECT	DATE
	DESC.	

APPROVAL STAMPS

City of Puyallup  
Development & Permitting Services  
**ISSUED PERMIT**

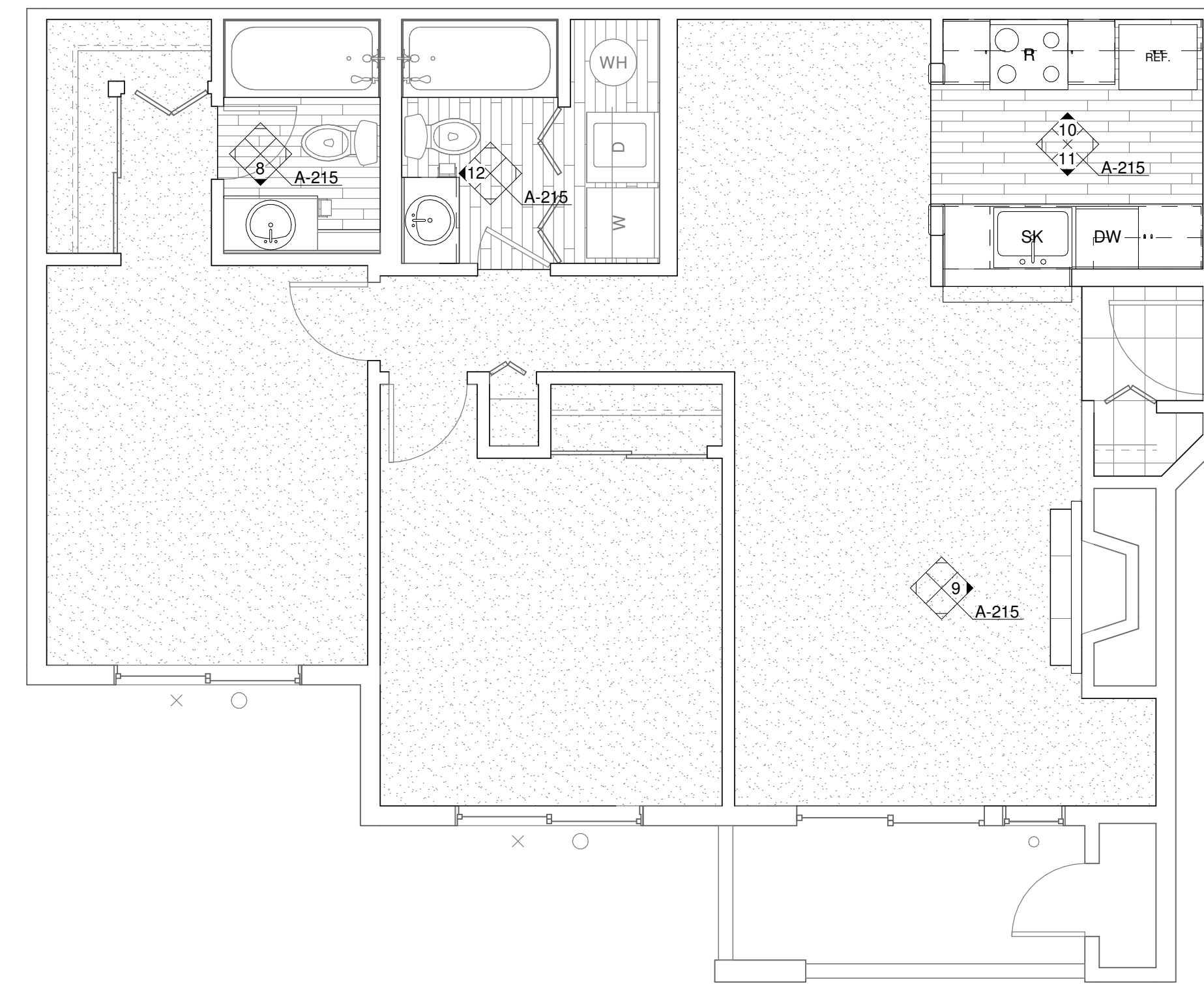
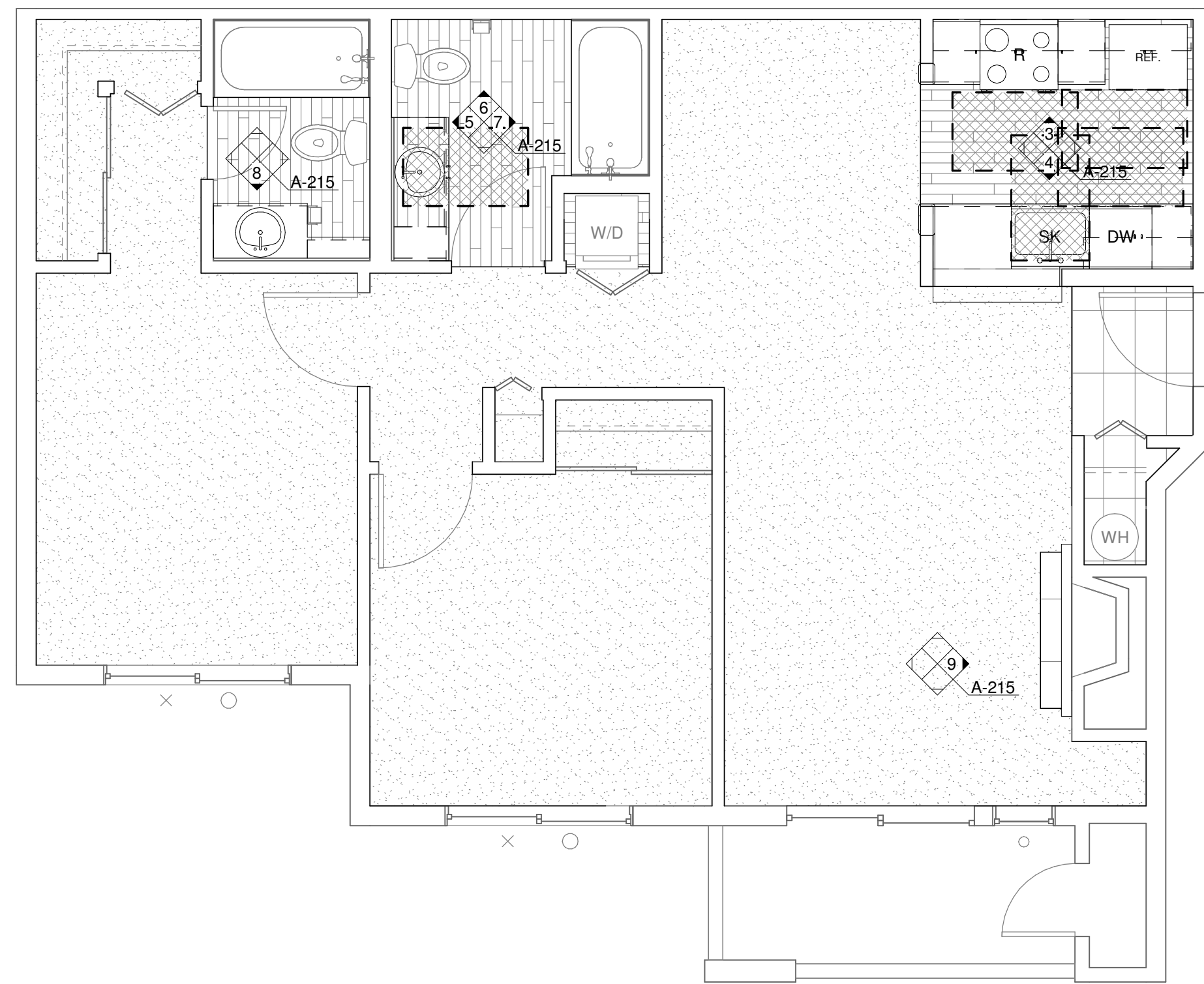
Building Planning  
Engineering Public Works  
Fire Traffic

JOB NO.: 1922  
ISSUE DATE: 09/14/2021  
REVISED:  
DRAWN BY: BM  
SHEET

**A-214**

9/14/2021 9:48:04 AM

PRCT120221869



AGENCY REVIEW  
 09/14/2021

PROJECT  
**MERIDIAN POINTE APARTMENTS  
 RESIDENTIAL UNIT REHABILITATION**  
 407 VALLEY AVE. N.E.  
 PUYALLUP, WA 98372  
**ENLARGED UNIT PLAN - 2 BED/2 BATH**

#	DATE	DESC.

APPROVAL STAMPS

City of Puyallup  
 Development & Permitting Services  
**ISSUED PERMIT**

Building	Planning
Engineering	Public Works
Fire	Traffic

JOB NO.: 1922  
 ISSUE DATE: 09/14/2021  
 REVISED:  
 DRAWN BY: BM  
 SHEET

**A-215**  
 9/14/2021 9:48:09 AM

**1 ENLARGED UNIT PLAN - 2 BED/2 BATH (ADA)**  
 1/4" = 1'-0"

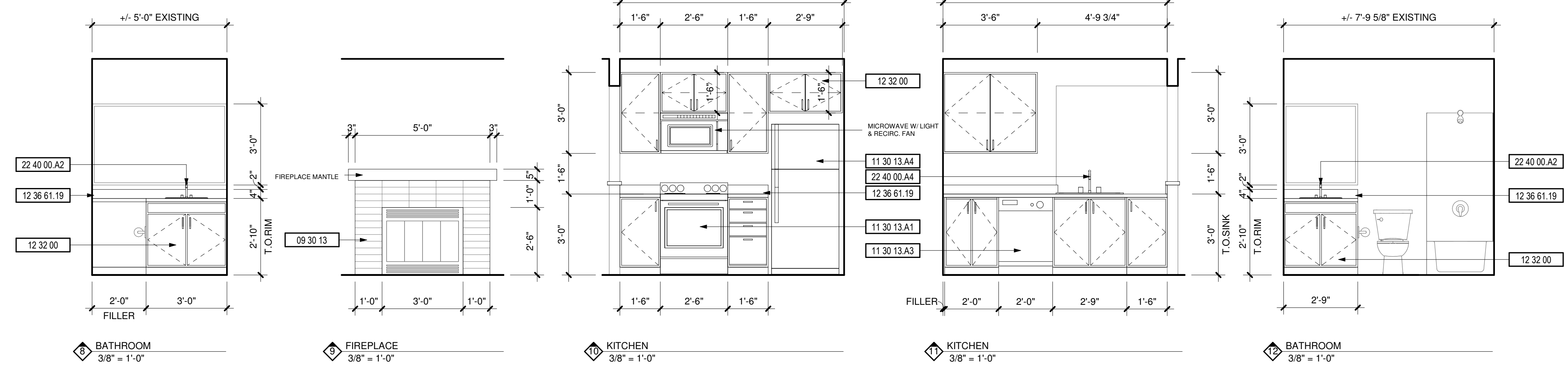
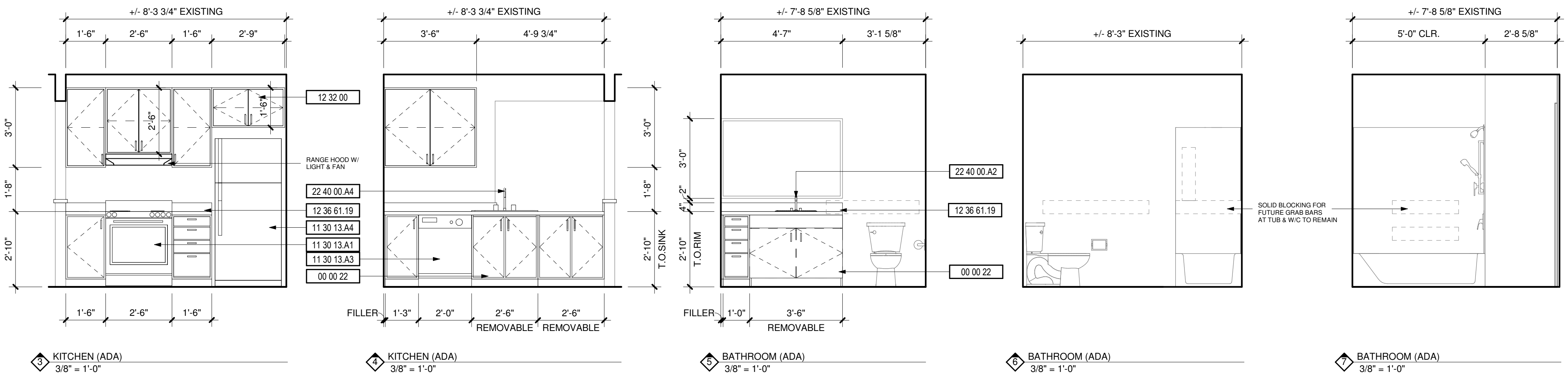
**2 ENLARGED UNIT PLAN - 2 BED/2 BATH (TYP)**  
 1/4" = 1'-0"

**DEMOLITION NOTES**

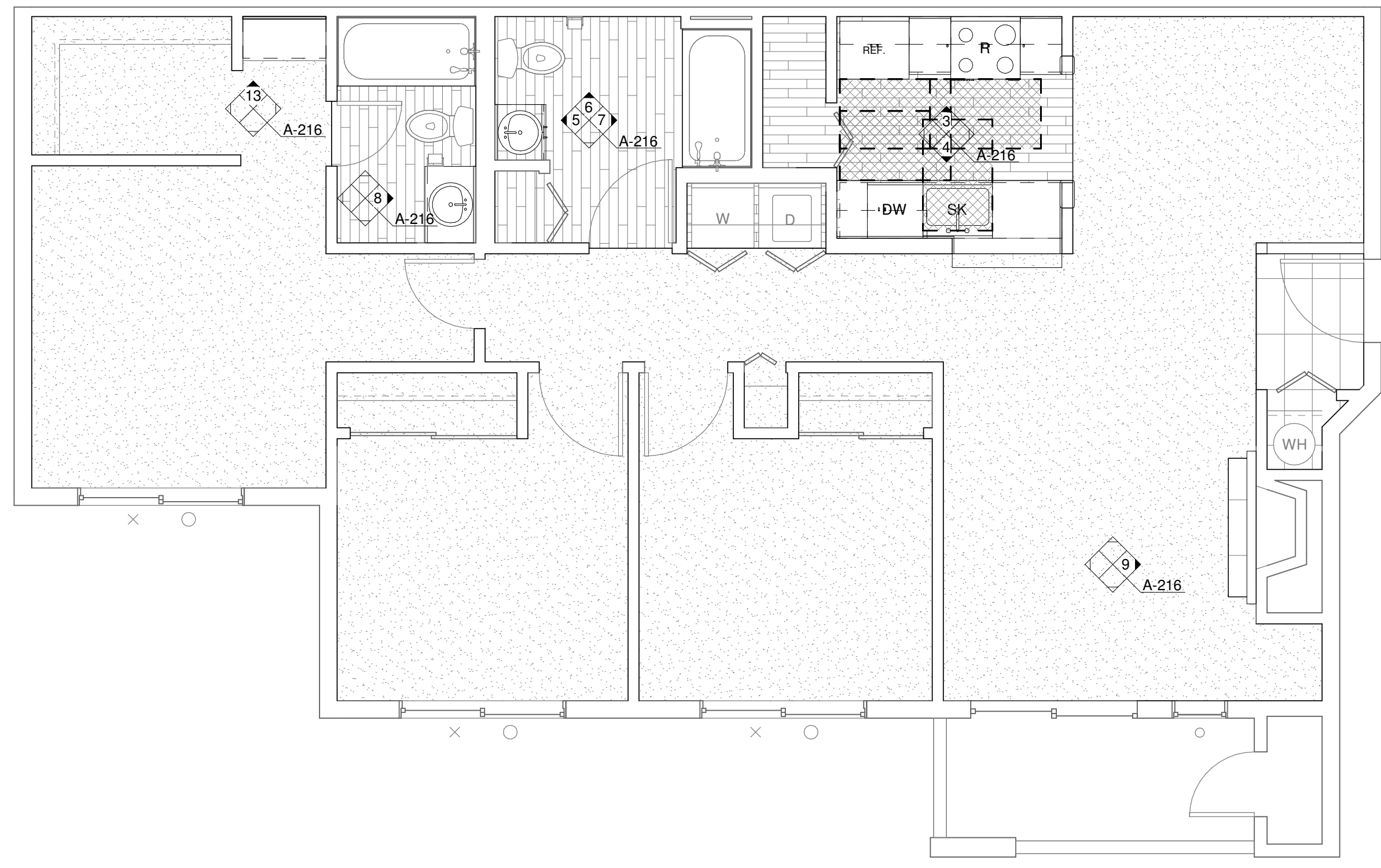
#	DESCRIPTION
1	REPLACE ALL EXISTING FLOORING & BASE AND FIREPLACE HEARTH. PREP FOR NEW FINISH AS REQUIRED.
2	DEMO ALL EXISTING UPPER & LOWER CABINETS AND PLUMBING FIXTURE AT KITCHEN. ALL EXISTING APPLIANCES TO BE REMOVED. PREP WALL AND FLOOR FOR NEW FINISHES
3	REPLACE EXISTING LIGHT FIXTURES. PREP FOR NEW FIXTURE AS REQUIRED.
4	DEMO ALL EXISTING LOWER CABINET, PLUMBING FIXTURE & MIRROR. PREP FOR NEW FINISHES AS REQUIRED.
5	DEMO HALF WALL AND EXISTING COUNTER TO ACCOMMODATE NEW COUNTER.
6	MEDICINE CABINET TO BE REMOVED AND REPLACED BY OWNER.
7	DEMO EXISTING MANTLE & FIRE PLACE TILE SURROUND. PREP FOR NEW FINISHES. SEE FIREPLACE ELEVATION FOR DETAILS.
8	REMOVE EXISTING COUNTERSHELF AT LIVING ROOM. PATCH & REPAIR WALL AS REQUIRED FOR NEW FINISHES.
9	REPLACE EXISTING SHOWER HEAD, SHOWER CONTROL KNOB, VALVE, AND ASSOCIATED RISER PIPING.
10	SEE DETAIL 1/A-213 FOR BATHTUB CONTROL AND GRAB BAR LOCATIONS FOR BATHROOMS.

**KEYNOTES**

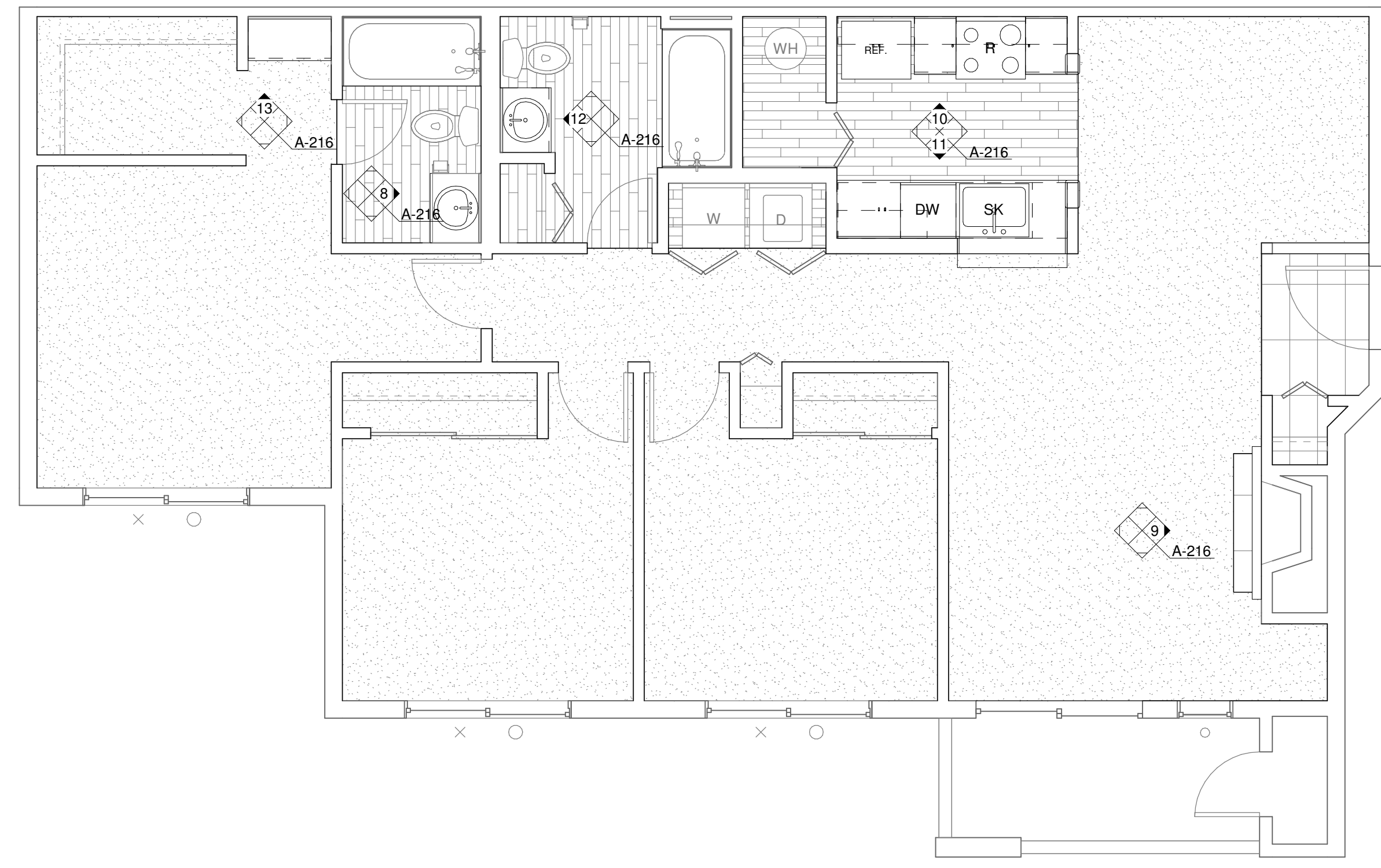
#	DESCRIPTION
00 00 22	REMOVABLE CABINET, EXTEND FLOORING TO WALL AT BACK OF EACH REMOVABLE CABINET
09 30 13	CERAMIC TILING
11 30 13.A1	RANGE
11 30 13.A3	DISHWASHER
11 30 13.A4	REFRIGERATOR
12 32 00	MANUFACTURED WOOD CASEWORK
12 36 61.19	QUARTZ AGGLOMERATE COUNTERTOPS
22 40 00.A2	LAVATORY/FAUCET
22 40 00.A4	UNDER COUNTER SINK/FAUCET



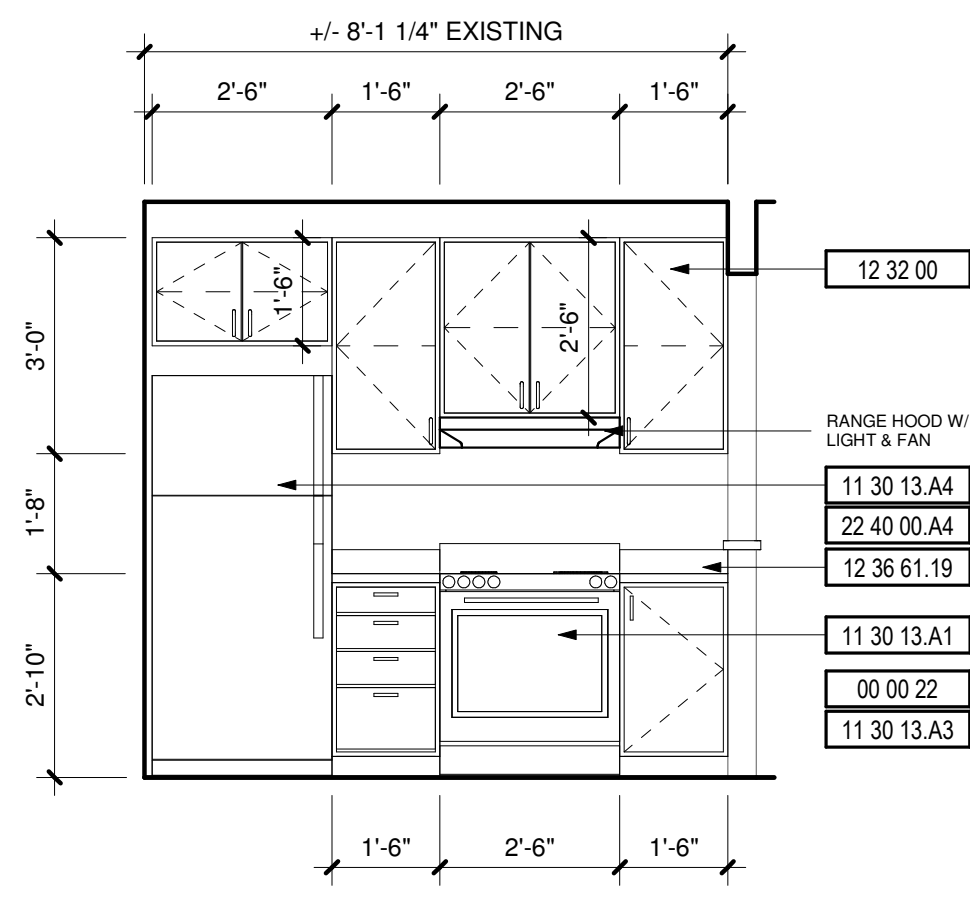
PRCTI20221869



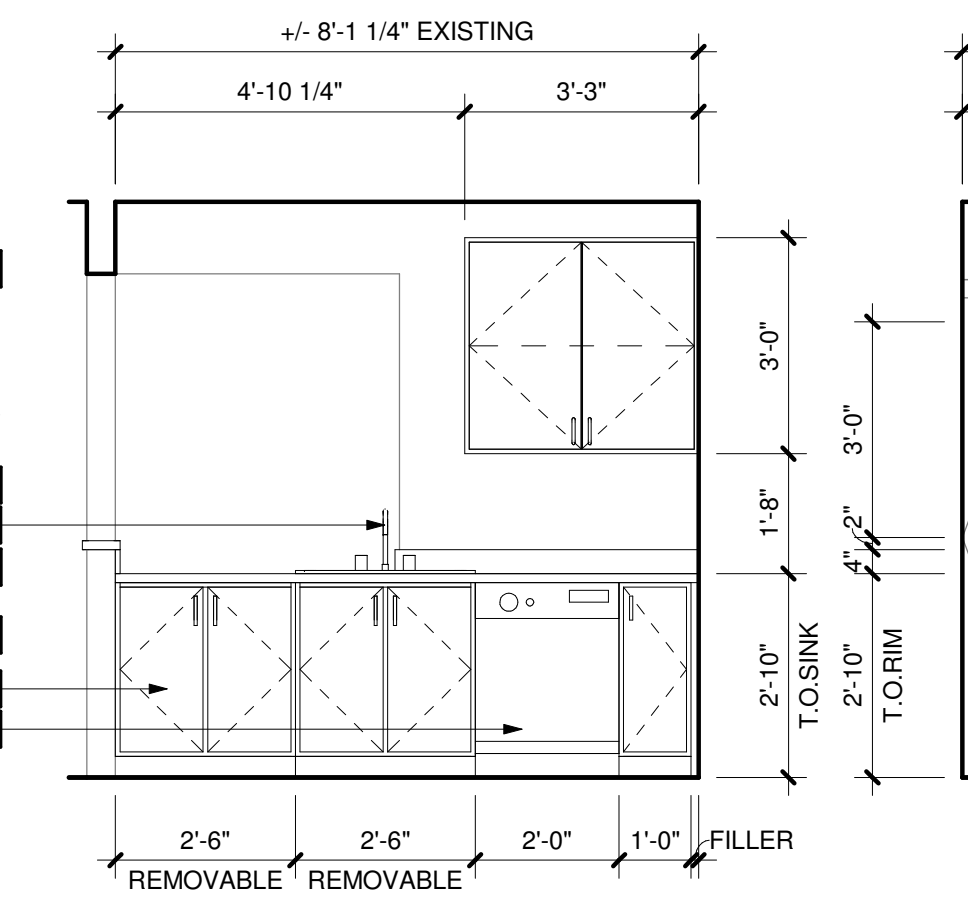
**1 ENLARGED UNIT PLAN - 3 BED/2 BATH (ADA)**  
1/4" = 1'-0"



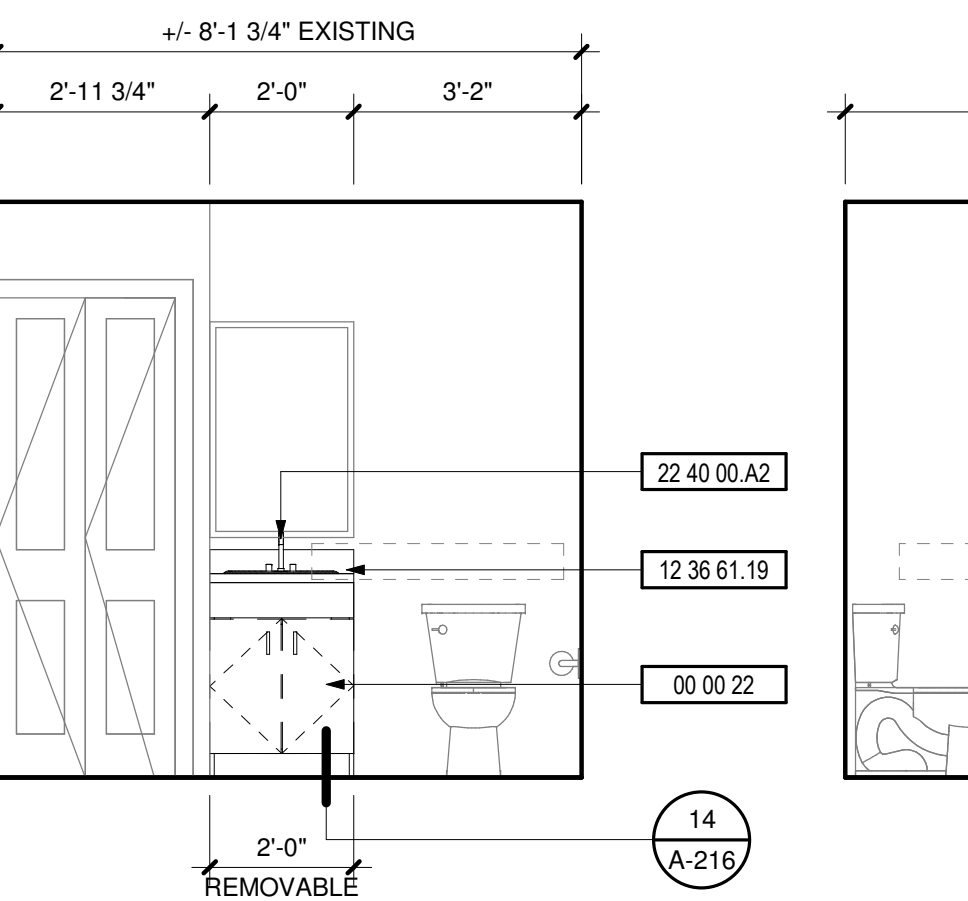
**2 ENLARGED UNIT PLAN - 3 BED/2 BATH (TYP)**  
1/4" = 1'-0"



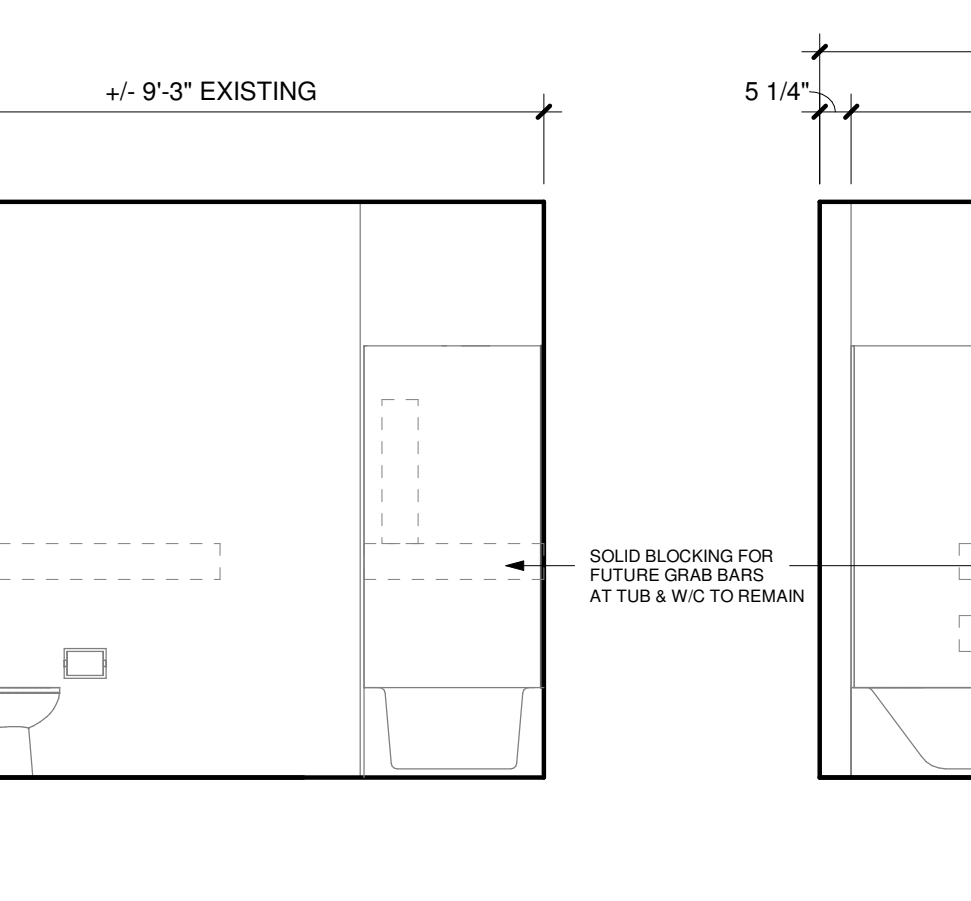
**3 KITCHEN (ADA)**  
3/8" = 1'-0"



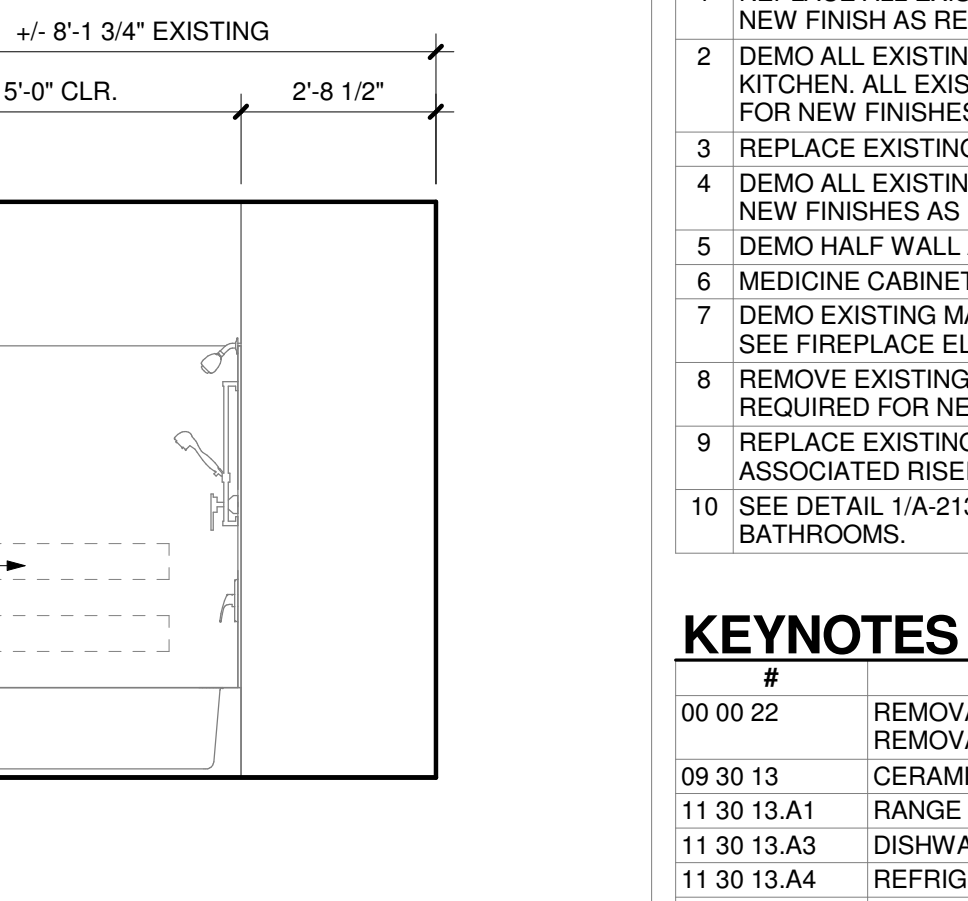
**4 KITCHEN (ADA)**  
3/8" = 1'-0"



**5 BATHROOM (ADA)**  
3/8" = 1'-0"



**6 BATHROOM (ADA)**  
3/8" = 1'-0"



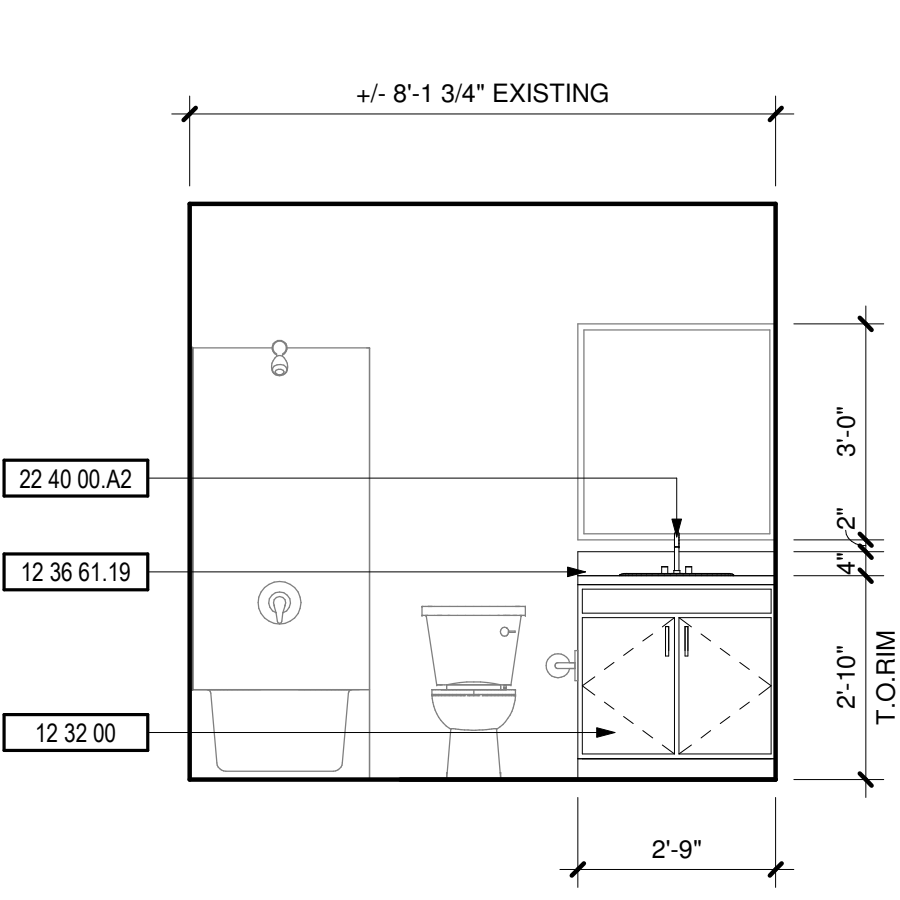
**7 BATHROOM (ADA)**  
3/8" = 1'-0"

**DEMOLITION NOTES**

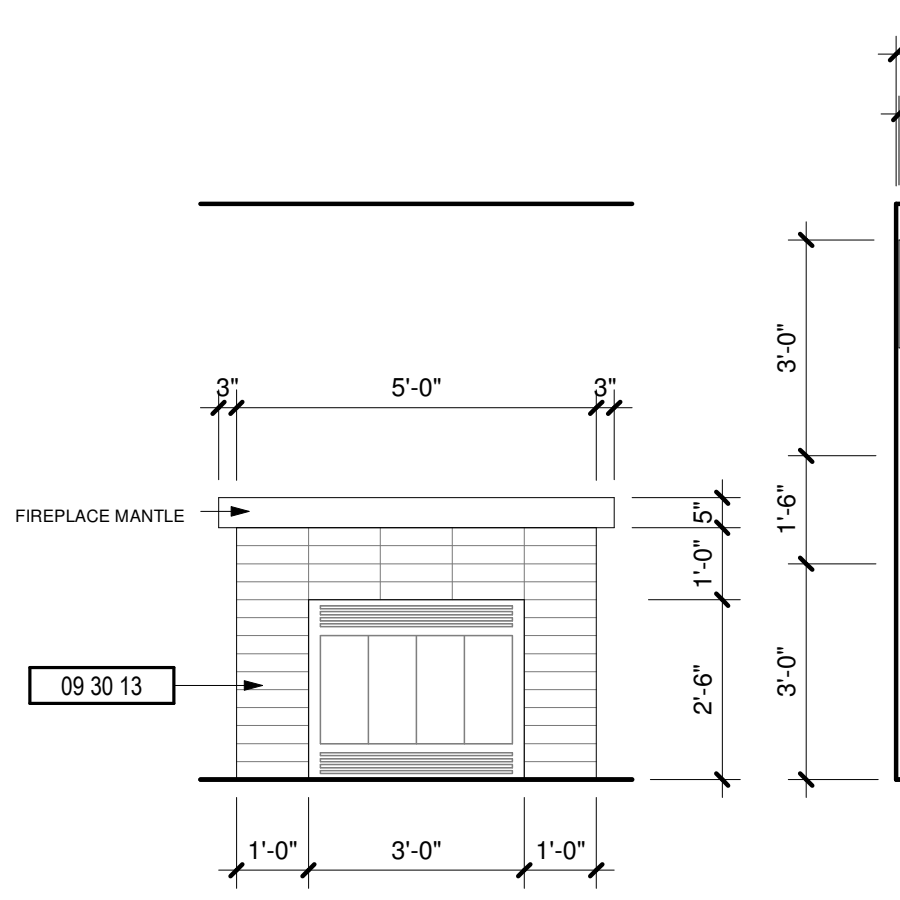
#	DESCRIPTION
1	REPLACE ALL EXISTING FLOORING & BASE AND FIREPLACE HEARTH. PREP FOR NEW FINISH AS REQUIRED.
2	DEMO ALL EXISTING UPPER & LOWER CABINETS AND PLUMBING FIXTURE AT KITCHEN. ALL EXISTING APPLIANCES TO BE REMOVED. PREP WALL AND FLOOR FOR NEW FINISHES.
3	REPLACE EXISTING LIGHT FIXTURES. PREP FOR NEW FIXTURE AS REQUIRED.
4	DEMO ALL EXISTING LOWER CABINET, PLUMBING FIXTURE & MIRROR. PREP FOR NEW FINISHES AS REQUIRED.
5	DEMO HALF WALL AND EXISTING COUNTER TO ACCOMMODATE NEW COUNTER.
6	MEDICINE CABINET TO BE REMOVED AND REPLACED BY OWNER.
7	DEMO EXISTING MANTLE & FIRE PLACE TILE SURROUND. PREP FOR NEW FINISHES. SEE FIREPLACE ELEVATION FOR DETAILS.
8	REMOVE EXISTING COUNTERSHELF AT LIVING ROOM. PATCH & REPAIR WALL AS REQUIRED FOR NEW FINISHES.
9	REPLACE EXISTING SHOWER HEAD, SHOWER CONTROL KNOB, VALVE, AND ASSOCIATED RISER PIPING.
10	SEE DETAIL 1/A-213 FOR BATHTUB CONTROL AND GRAB BAR LOCATIONS FOR BATHROOMS.

**KEYNOTES**

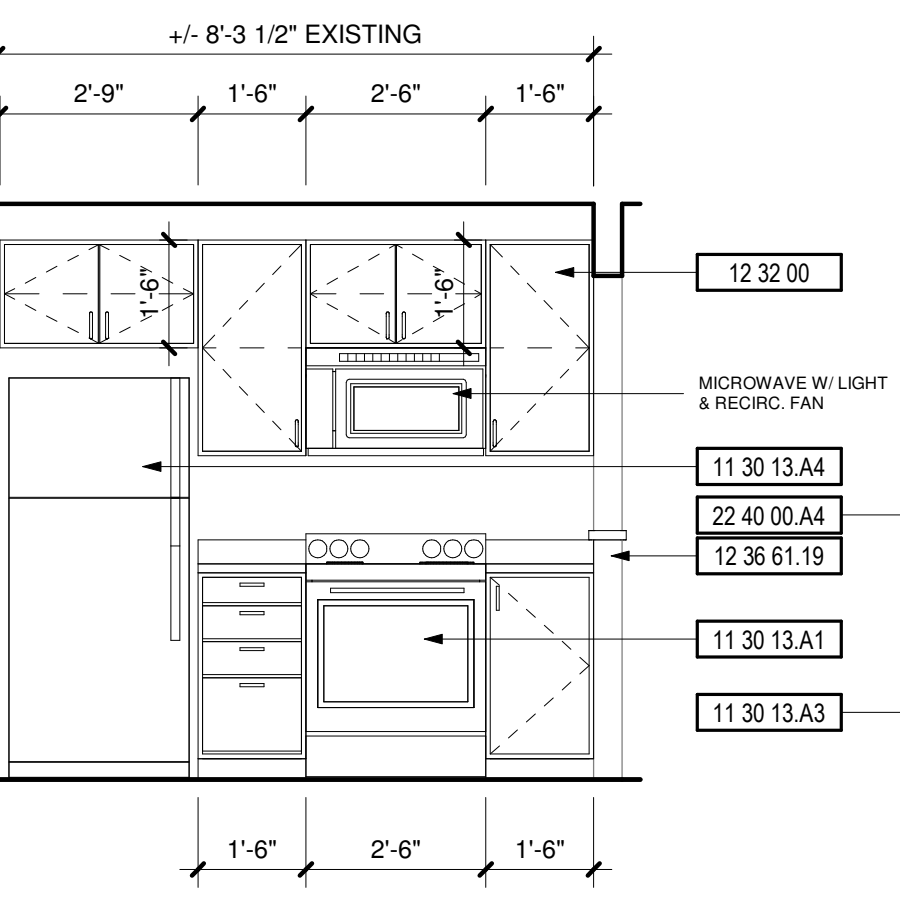
#	DESCRIPTION
00 00 22	REMOVABLE CABINET, EXTEND FLOORING TO WALL AT BACK OF EACH REMOVABLE CABINET
09 30 13	CERAMIC TILING
11 30 13.A1	RANGE
11 30 13.A3	DISHWASHER
11 30 13.A4	REFRIGERATOR
12 32 00	MANUFACTURED WOOD CASEWORK
12 36 61.19	QUARTZ AGGLOMERATE COUNTERTOPS
22 40 00.A2	LAVATORY/FAUCET
22 40 00.A4	UNDER COUNTER SINK/FAUCET



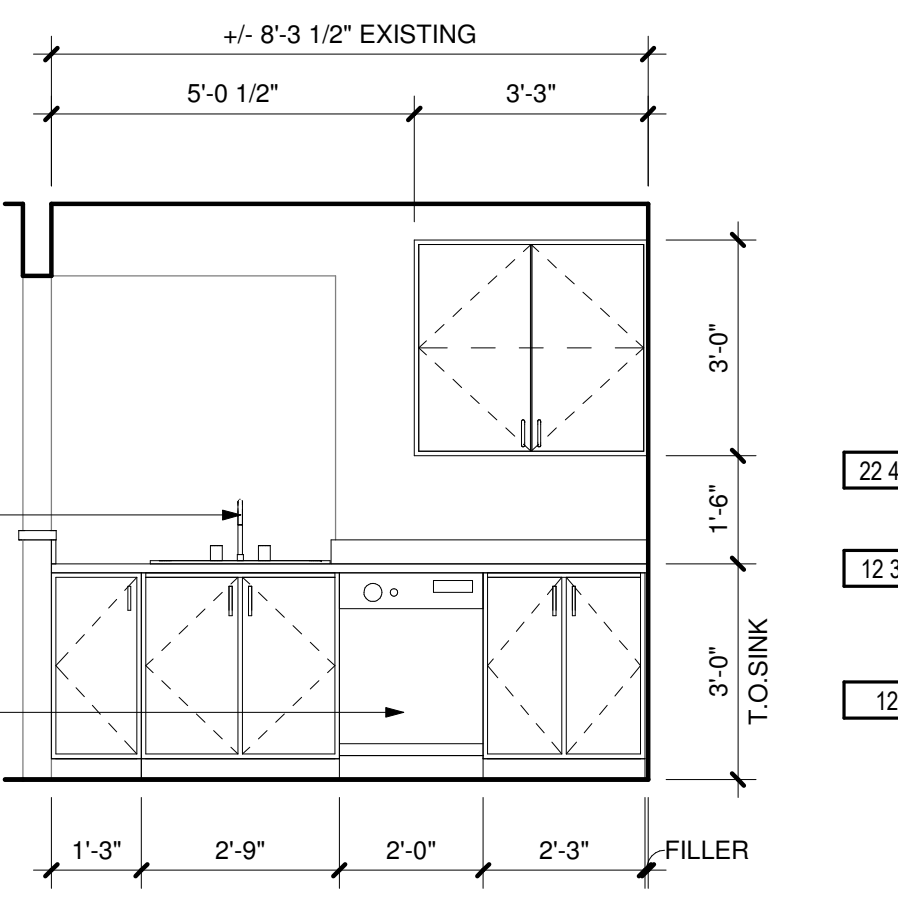
**8 BATHROOM**  
3/8" = 1'-0"



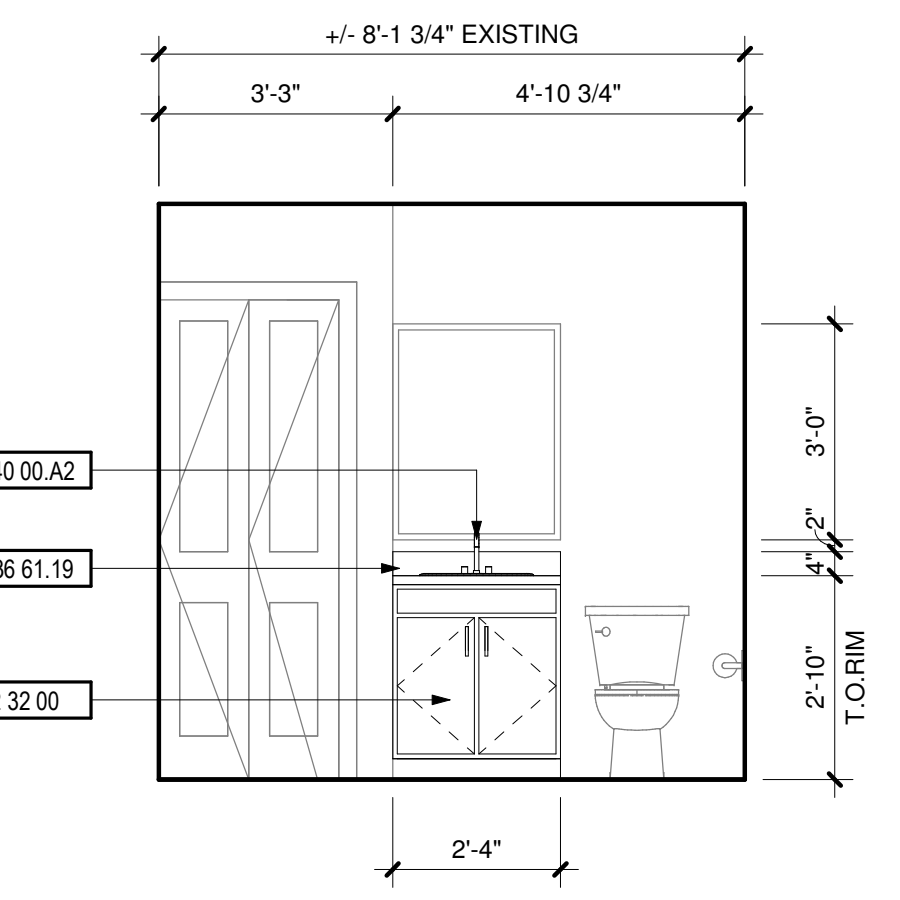
**9 FIREPLACE**  
3/8" = 1'-0"



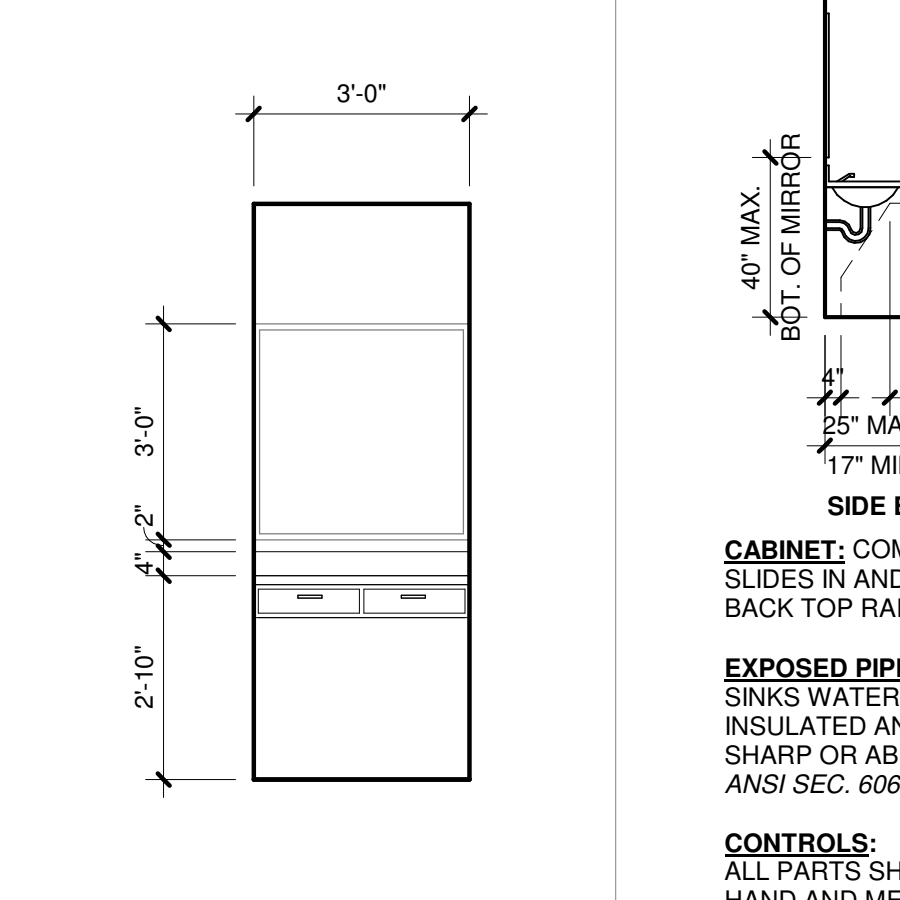
**10 KITCHEN**  
3/8" = 1'-0"



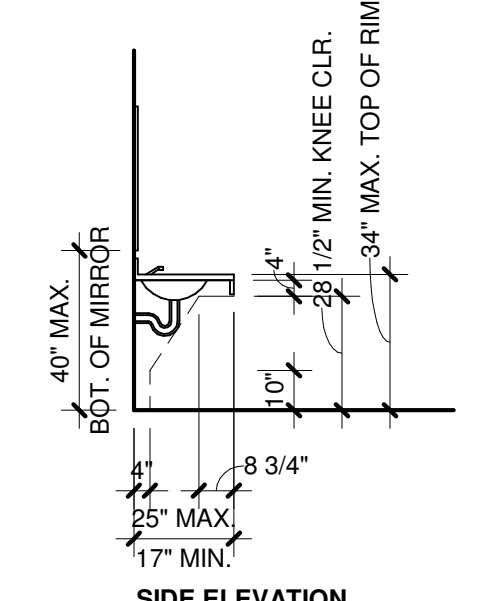
**11 KITCHEN**  
3/8" = 1'-0"



**12 BATHROOM**  
3/8" = 1'-0"



**13 VANITY**  
3/8" = 1'-0"



**SIDE ELEVATION**  
**CABINET:** COMPLETELY REMOVABLE; SLIDES IN AND OUT UNDER FIXED RAILS. BACK TOP RAIL CUT OUT ON SITE.  
**EXPOSED PIPES & SURFACES:** UNDER SINKS WATER & DRAIN PIPES SHALL BE INSULATED AND THERE SHALL BE NO SHARP OR ABRASIVE SURFACES PER ANSI SEC. 606.6.  
**CONTROLS:** ALL PARTS SHALL BE OPERABLE W/ ONE HAND AND MEET THE REQUIREMENTS OF ANSI SEC. 309.

**PRCT120221869**