

SCOPE OF WORK:

The intended scope of this project is to install new addressable smoke detectors and pull stations for the tenant improvement areas in the existing space. Install smoke detectors in New Level space at new demising wall and in new hallway for proper detection spacing. Two smoke detectors will be removed from an area that will be demolished and re-install accordingly. Install a pull station at the new door. Install a new horn/strobe in the new hallway and relocate one strobe to this hallway. All new devices shall connect into existing fire alarm circuits. All duct detectors (Qty 4) will receive remote test stations. Remote test stations to be installed at nearest wall or common to the RTU. Occupancy Type: B

EXCLUSIONS

ALL HIGH VOLTAGE WIRING AND CONNECTIONS, UNDER GROUND OR TRENCHING ANY CONDUIT, FIRE CAULKING, CORE DRILLING, EXTERIOR PATHWAY/RACEWAY. SYSTEM INTERCONNECTIONS NOT SPECIFICALLY ADDRESSED BY THIS DESIGN.

GENERAL NOTES:

01 - FIRE ALARM DESIGN TO BE PER NFPA 72 (2016) AND CITY OF PUYALLUP.

02 - SYSTEM TO BE INSTALLED AND TESTED IN ACCORDANCE WITH NFPA 72 (2016) AND AUTHORITY HAVING JURISDICTION.

03 - SYSTEM TO BE MONITORED BY APPROVED UL LISTED CENTRAL STATION (VERIFY PROPER SIGNALS). MONITORING IS EXISTING.

04 - ALL NEW MATERIALS AND EQUIPMENT TO BE NEW AND UL APPROVED. ALL DEVICES SHALL BE COMPATIBLE WITH THE EXISTING FIRE ALARM PANEL.

05 - "FIRE ALARM PANEL" SIGN TO BE INSTALLED AT ENTRANCE OF ROOM CONTAINING THE FIRE ALARM PANEL AND BOOSTER PANEL(S) (BY OTHERS).

PANEL

06 - FIRE ALARM CONTROL PANEL (FACP) IS EXISTING. 3'-0" OF CLEARANCE SHALL BE MAINTAINED AROUND ALL FIRE ALARM PANELS.

07 - ALL WATER FLOW ZONES SHALL BE SILENCEABLE PER UL864 AS FIRE ALARM PANEL IS MONITORED. CONDITIONS MUST BE RETURNED TO NORMAL BEFORE PANEL CAN BE RESET TO NORMAL. ALL SPRINKLER CONNECTIONS ARE EXISTING.

DEVICES

08 - ALL NEW PULL STATIONS SHALL BE MOUNTED AT 42" AFF TO THE CENTER OF THE BOX. DEVICE LOCATIONS TO BE VERIFIED UPON ARRIVAL ONSITE.

09 - ALL NEW NOTIFICATION DEVICES TO BE SET TO TEMPORAL-3 SETTINGS AND MARKED WITH "FIRE." THEY SHALL MATCH EXISTING NOTIFICATION DEVICES.

10- ALL WALL MOUNTED DEVICES SHALL BE MOUNTED A MINIMUM OF 80" AFF OR 8" BELOW CEILING (WHICHEVER IS LOWER), DEVICE LOCATIONS TO BE VERIFIED UPON ARRIVAL ONSITE.

11 - WHEN APPLICABLE, VERIFY EXISTENCE AND LOCATION OF WATER FLOW, HI/LO, TAMPER SWITCHES, PIV, AND/OR OS&Y VALVES. THESE DEVICES ARE TO BE MONITORED BY THE FACP. ALL SPRINKLER CONNECTIONS ARE EXISTING.

12- ANY EXTERIOR DEVICES TO HAVE APPLICABLE BLOCKING INSTALLED FOR FLUSH MOUNTING (BY OTHERS). ALL EXTERIOR DEVICES ARE EXISTING.

13- ALL WEATHERPROOF DEVICES TO HAVE LIQUIDTIGHT ¾" CONNECTIONS PROVIDED. ALL EXTERIOR DEVICES ARE EXISTING.

14 - WHEN APPLICABLE ALL HVAC UNITS OVER 2000CFM TO HAVE DUCT DETECTORS INSTALLED AND INTERCONNECTED TO FACP AND SHUTDOWN. ANY ADDITIONAL DUCT DETECTORS NOT SHOWN ON PLANS WILL BE A CHANGE ORDER. HVAC UNITS OVER 10,000CFM SHALL HAVE TWO (2) DUCT DETECTORS INSTALLED. ONE ON THE SUPPLY AND ONE ON THE RETURN SIDE AND A CONTROL RELAY FOR HVAC SHUTDOWN UPON DUCT DETECTOR OR GLOBAL ALARM. RECONNECT EXISTING DUCT DETECTORS INTO EXISTING SLC CIRCUIT. REMOTE TEST STATIONS TO BE INSTALLED ON WALL OR NEAREST COLUMN, ACCESSIBLE BELOW 6 FEET AND LABELED.

NEW LEVEL 360 3500 SOUTH MERIDIAN UNIT 900-20 PUYALLUP WA 98373 FIRE ALARM SYSTEM

FIRE ALARM SYSTEMS SEQUENCE OF OPERATIONS		SYSTEM INPUT										
		CIRCUIT FAULT	LOW BATTERY	AC POWER FAILURE	GROUND CIRCUIT FAULT	MANUAL PULL STATIONS	SMOKE DETECTORS	SPRINKLER WATERFLOW	SPRINKLER SUPERVISORY	DUCT DETECTORS		
SYSTEM OUTPUT	ALARM @ FCP					X	X	X				
	TROUBLE @ FCP	X	X	X	X							
	SUPV. @ FCP								X	X		
	ACTIVATE FIRE NOTIFICATION DEVICE					X	X	X				
	TRANSMIT ALARM TO MONITORING (POINT SPECIFIC) **					X	X					
	TRANSMIT WF ALARM TO MONITORING **							X				
	TRANSMIT TROUBLE TO MONITORING (POINT SPECIFIC) **	X	X	X	X							
	TRANSMIT SUPV. TO MONITORING (POINT SPECIFIC) **								X	X		
	SHUTDOWN HVAC UNIT (ONBOARD RELAY) EXISTING**										X	

SET STROBE CANDELA OUTPUT AS SHOWN ON PLANS.
**ALL MONITORING IS EXISTING. NEW SIGNALS WILL MATCH CURRENT SIGNALING PARAMETERS.

WIRING

15 - ALL AUDIBLE/VISUAL DEVICES AND DETECTION CIRCUITS TO BE RISER OR PLENUM WIRE WHERE REQUIRED BY NEC. ALL AUDIBLE/VISUAL DEVICES CIRCUITS AND INITIATING ZONES TO HAVE AN END OF LINE RESISTOR. FOR CIRCUIT INTEGRITY SUPERVISION PER NFPA

16 - ALL FIRE ALARM WIRES TO BE IDENTIFIED AND APPROPRIATELY MARKED WIRING BELOW 7'-0" TO BE INSTALLED IN CONDUIT (EMT ½" TRADE TYP) OR ADEQUATELY PROTECTED.

17 - PER NEC, NO AC VOLTAGE WIRING OF ANY KIND CAN BE RUN IN SAME CONDUIT OR RISER AS LOW VOLTAGE FIRE ALARM SYSTEM WIRE.

18- ALL NEW FA BOXES TO BE PAINTED RED ND LABELED "FA J-BOX, LOW VOLTAGE."

19 - OTHER TRADES: ELECTRICAL, HVAC, ACCESS CONTROL, ETC ARE RESPONSIBLE FOR PROVIDING POWER FOR ANY ASSOCIATED EQUIPMENT SHUTDOWNS AND FOR WIRING CONNECTIONS TO THEIR RESPECTIVE EQUIPMENT. FA SYSTEM/CONTRACTOR TO PROVIDE DRY RELAY CONTACT POINT ONLY. WHERE APPLICABLE

COORDINATION ITEMS

THESE ARE TYPICALLY THE ITEMS THAT GET OVERLOOKED AND MAY LEAD TO DELAYS IN THE COMPLETION OF THE FIRE ALARM SYSTEM AND PROJECT.

1. SITE ELECTRICAL CONTRACTOR SHALL PROVIDE DEDICATED 120VAC POWER CIRCUITS WITH RED BREAKER LOCK-OUT FOR ALL FIRE ALARM EQUIPMENT (I.E PANELS, SMOKE CONTROL, FSD'S ETC).

2. ELECTRICAL FINAL SHALL BE COMPLETED PRIOR TO SCHEDULING RED HAWK FOR CHECK-OUT, UNLESS REQUIRED OTHERWISE BY AHJ. WIRES SHALL BE TESTED AND RECORDED FOR GROUNDS, OPENS AND/OR SHORTS.

3. NOTIFY RED HAWK A MIN. OF 2 WEEK, PRIOR TO INSTALLATION OF ALL WIRING, DEVICES AND POWER, FOR SCHEDULING OF SYSTEM CHECK-OUT AND PROGRAMMING. RED HAWK REQUIRES A MIN. OF 2 DAYS FOR CHECK-OUT AND PROGRAMMING PRIOR TO SCHEDULING A FIRE ALARM FINAL. LARGER SYSTEMS WILL REQUIRE MORE TIME. FAILURE TO HAVE WORK COMPLETED WILL REQUIRE RESCHEDULING AND ADDITIONAL COSTS.

4. AS-BUILTS/RED LINES SHOWING PATHWAYS AND ANY INSTALLATION NOTES TO BE COMPLETED AT THE END OF ROUGH-IN AND PROVIDED TO RED HAWK FIRE PROTECTION AT ARRIVAL FOR TRIM OUT AND TROUBLESHOOTING.

CABLE/CONDUCTOR LIST					
CIRCUIT TYPE	CABLE TYPE	NO.	GAUGE	COLOR	NOTES
ADDRESSABLE INITIATING CIRCUIT	FPL-TP	A	16/2	RED JACKET	
NOTIFICATION CIRCUIT	FPL-TP	N	14/2	RED JACKET	
REMOTE TEST STATION CIRCUIT	FPL-TP	P	(2) 16/4	RED JACKET	

SYMBOL	MODEL NUMBER	DESCRIPTION	MANUFACTURE	BACK BOX	QTY
FACP ^E	E3	FIRE ALARM CONTROL PANEL -- EXISTING	GAMEWELL	EXISTING	1
BPS ^E	HONEYWELL	BOOSTER POWER SUPPLY PANEL -- EXISTING	GAMEWELL	EXISTING	1
⊗ ^R	ASD-PL3	PHOTOELECTRIC SMOKE SENSOR RELOCATED	GAMEWELL	SINGLE GANG MUD RING OR 3-0 RING	2
⊗ ^N	ASD-PL3	PHOTOELECTRIC SMOKE SENSOR NEW	GAMEWELL	SINGLE GANG MUD RING OR 3-0 RING	6
F ^N	MS7-AF	PULL STATION NEW	GAMEWELL	4 SQ. DEEP BOX W/ SINGLE GANG MUD RING	1
F ^E	MS7-AF	PULL STATION EXISTING	GAMEWELL	EXISTING	4
⊗ ^E	DNR	ADDRESSABLE DUCT DETECTOR W/ RELAY EXISTING	GAMEWELL	EXISTING	4
RTS ^N	RTS151KEY	REMOTE TEST STATION NEW	SYSTEM SENSOR	SINGLE GANG BOX	4
R⊗ ^C	SCWL	STROBE -- CEILING MOUNT -- RELOCATED	SYSTEM SENSOR	4 SQ. DEEP BOX	1
⊗ ^N	SPSCWL	SPEAKER/STROBE -- CEILING MOUNT -- NEW	SYSTEM SENSOR	4 SQ. DEEP BOX	1
⊗ ^E	ASD-PL3	PHOTOELECTRIC SMOKE SENSOR EXISTING	GAMEWELL	EXISTING	1

RED HAWK FIRE PROTECTION, LLC



801 Valley Ave NW, Suite D
Puyallup, WA 98371
Phone: (253) 840-9900 Fax (800) 591-4382
WA CL# REDHAHF901QP

NICET Stamp

Heather Mattoli
HEATHER MATTOLI NICET #114793
12/27/2022 10:14:04 PM

Approvals Required

OWNER / ARCHITECT

Revisions

Contract With

DSI SPORTS LLC

DSI SPORTS LLC
PO BOX 706
PUYALLUP WA 98371
PM: DEAN PIERCE
Phone: -
Email: DEANPIERCE@JOHNLSMOTT.COM

Contract Name

NEW LEVEL 360

3500 SOUTH MERIDIAN UNIT 900-20
PUYALLUP WA 98371

Drawing Title

FIRE ALARM DRAWING - COVER SHEET

Key Plan

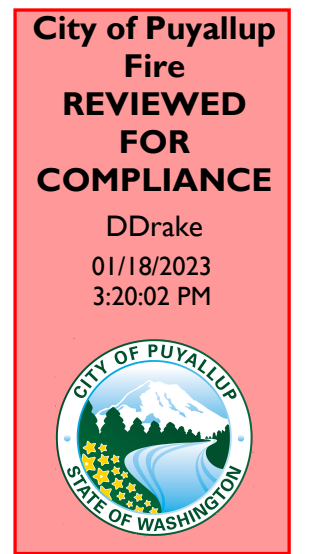
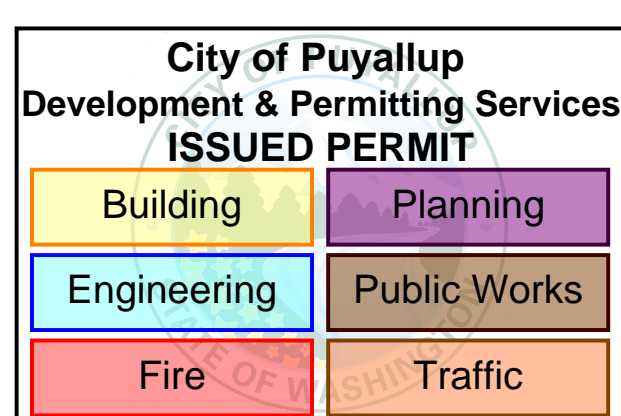
Date: DECEMBER 14, 2022

Job Number: 90037

Designer: LINDSEY LESLIE

Building Permit: -

Drawing Number



THE APPROVED CONSTRUCTION PLANS AND ALL ENGINEERING MUST BE POSTED ON THE JOB AT ALL INSPECTIONS IN A VISIBLE AND READILY ACCESSIBLE LOCATION.

Approval of submitted plans is not an approval of omissions or oversight by this office or noncompliance with any applicable regulations of local government. The contractor is responsible for making sure that the building complies with all applicable building codes and regulations of the local government.

FA-01 SHEET 1 OF 6



Ever Vigilant

801 VALLEY AVE NW, SUITE D
PUYALLUP, WA 98371
PHONE: (253) 840-9900 FAX (800) 591-4382
WA CL# REDHAHF901QP

NICET Stamp

Heather Mattoli
HEATHER MATTOLI NICET III #14793
12/27/2022 10:14:04 PM

Approvals Required

OWNER / ARCHITECT

Revisions

Contract With

DSI SPORTS LLC

DSI SPORTS LLC
PO BOX 706
PUYALLUP WA 98371
PM: DEAN PIERCE
Phone: -
Email: DEANPIERCE@JOHNLSMITH.COM

Contract Name

NEW LEVEL 360

3500 SOUTH MERIDIAN UNIT 900-20
PUYALLUP WA 98371

Drawing Title

**FIRE ALARM
DRAWING - FLOOR
PLAN**

Key Plan

Date: DECEMBER 12, 2022

Job Number: 90037

Designer: LINDSEY LESLIE

Building Permit: -

Drawing Number

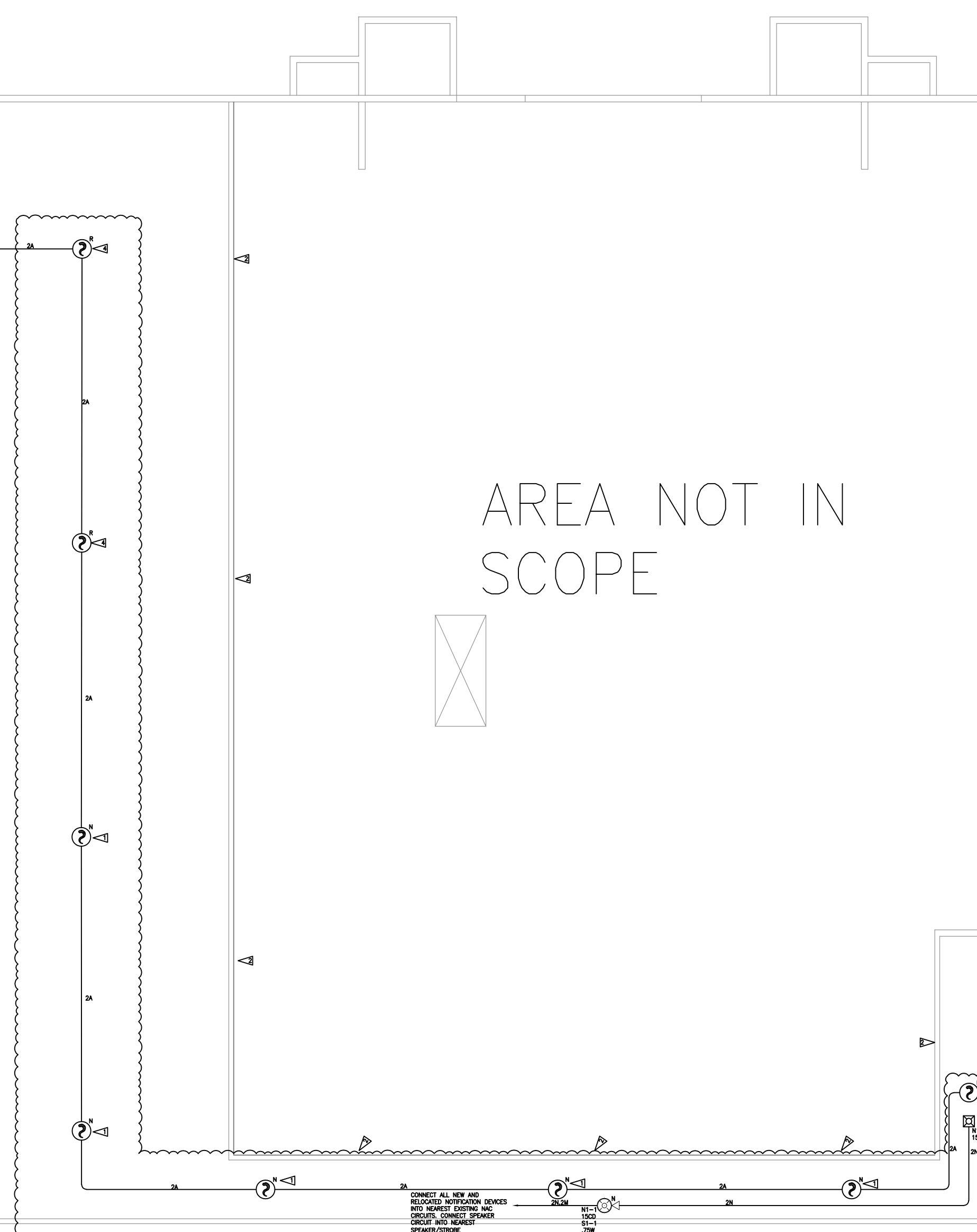
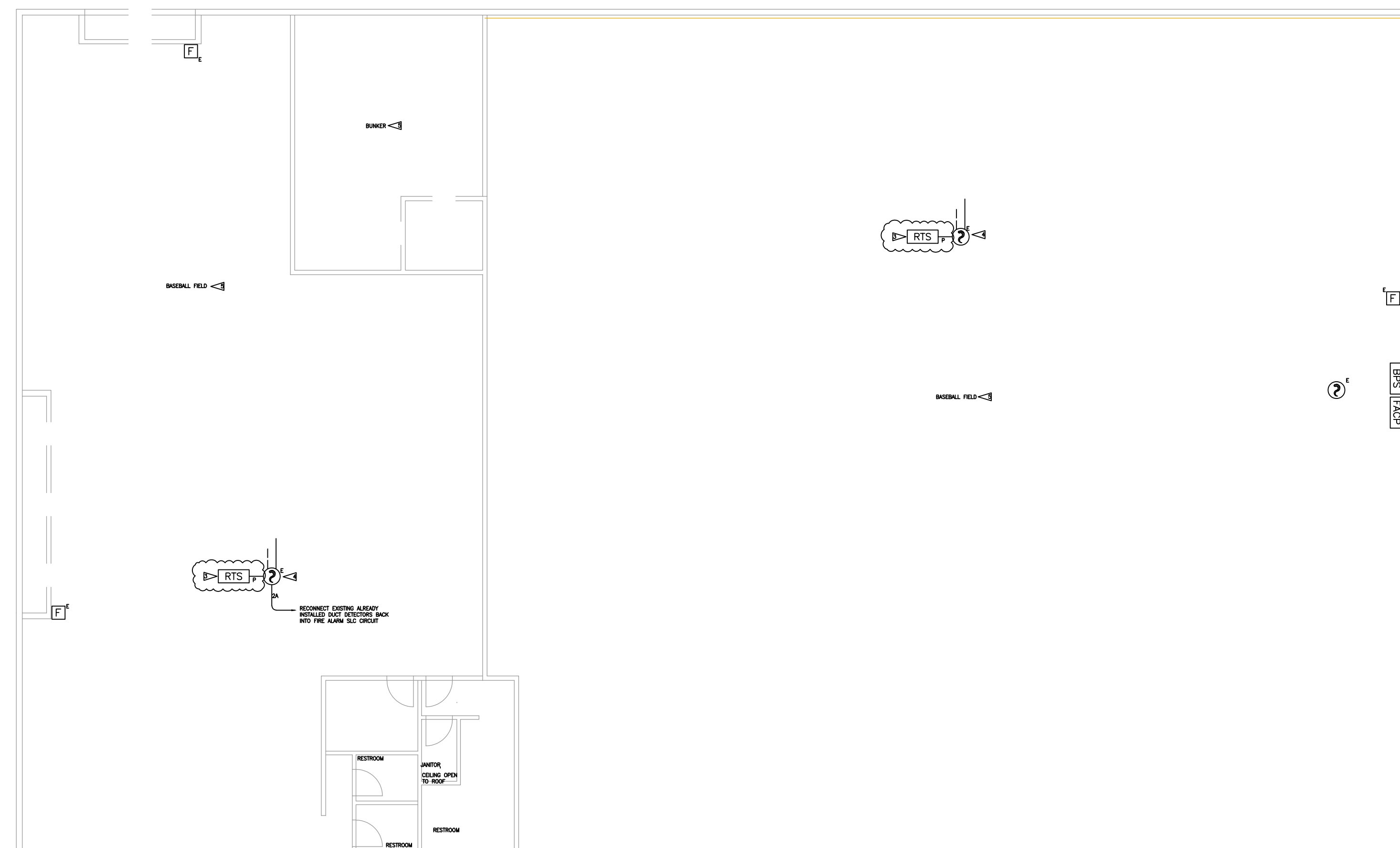
**FA-02
SHEET 2 OF 6**

CABLE/CONDUCTOR LIST

CIRCUIT TYPE	CABLE TYPE	NO.	GAUGE	COLOR	NOTES
ADDRESSABLE INITIATING CIRCUIT	FPL-TP	A	16/2	RED JACKET	
NOTIFICATION CIRCUIT	FPL-TP	N1	14/2	RED JACKET	
REMOTE TEST STATION CIRCUIT	FPL-TP	P	(2) 16/4	RED JACKET	

SYMBOL	MODEL NUMBER	DESCRIPTION	MANUFACTURE	BACK BOX	QTY
[FACP] ^E	E3	FIRE ALARM CONTROL PANEL - EXISTING	GAMEWELL	EXISTING	1
[BPS] ^E	HONEYWELL	BOOSTER POWER SUPPLY PANEL - EXISTING	GAMEWELL	EXISTING	1
[R] ^R	ASD-PL3	PHOTOELECTRIC SMOKE SENSOR RELOCATED	GAMEWELL	SINGLE GANG MUD RING OR 3-0 RING	2
[R] ^N	ASD-PL3	PHOTOELECTRIC SMOKE SENSOR NEW	GAMEWELL	SINGLE GANG MUD RING OR 3-0 RING	6
[F] ^N	MS7-AF	PULL STATION NEW	GAMEWELL	4 SQ. DEEP BOX W/ SINGLE GANG MUD RING	1
[F] ^E	MS7-AF	PULL STATION EXISTING	GAMEWELL	EXISTING	4
[R] ^E	DNR	ADDRESSABLE DUCT DETECTOR W/ RELAY EXISTING	GAMEWELL	EXISTING	4
[RTS] ^N	RTS151KEY	REMOTE TEST STATION NEW	SYSTEM SENSOR	SINGLE GANG BOX	4
[R] ^C	SCWL	STROBE - CEILING MOUNT - RELOCATED	SYSTEM SENSOR	4 SQ. DEEP BOX	1
[S] ^N	SPSCWL	SPEAKER/STROBE - CEILING MOUNT - NEW	SYSTEM SENSOR	4 SQ. DEEP BOX	1
[R] ^E	ASD-PL3	PHOTOELECTRIC SMOKE SENSOR EXISTING	GAMEWELL	EXISTING	1

- FLAG NOTES:
- INSTALLATION OF NEW ADDRESSABLE FIRE ALARM DEVICE. DEVICE ADDRESS TO BE ASSIGNED DURING PROGRAMMING.
 - TENANT WILL BE INSTALLING A NEW DEMISING WALL. ADD SMOKE DETECTORS 15' FROM NEW WALL TO MEET PROPER COVERAGE REQUIREMENTS.
 - INSTALL REMOTE TEST STATIONS ON DUCT DETECTORS. REMOTE TEST STATIONS TO BE MOUNTED ON WALL OR COLUMN WHICHEVER IS CLOSER TO THE RTU.
 - REMOVE SMOKE DETECTOR FROM OLD BATHROOM AREA AND RE-INSTALL WAS WALLS ARE REMOVED.
 - AREA ALREADY HAS PROPER NOTIFICATION AND SMOKE DETECTOR COVERAGE.
 - INSTALLATION OF NEW ADDRESSABLE PULL STATION AT NEW EGRESS DOOR. NEW PULL STATION WILL HAVE A COVER OVER IT TO PROTECT IT FROM FALSE ALARMS. CONNECT NEW PULL STATION INTO EXISTING SLC CIRCUIT. DEVICE ADDRESS TO BE ASSIGNED AT TIME OF INSTALLATION AS IT NEEDS TO BE VERIFIED WITH AVAILABLE ADDRESSES IN THE PANEL.



F1 FIRE ALARM PLAN - PARTIAL

SCALE: 3/32" = 1'-0"



**City of Puyallup
Development & Permitting Services
ISSUED PERMIT**

Building	Planning
Engineering	Public Works
Fire	Traffic



Ever Vigilant

801 VALLEY AVE NW, SUITE D
PUYALLUP, WA 98371
PHONE: (253) 840-9900 FAX (800) 591-4382
WA CL# REDHAHF901QP

NICET Stamp

Heather Mattioli
HEATHER MATTIOLI NICET III #147931
12/27/2022 10:14:04 PM

Approvals Required

OWNER / ARCHITECT

Revisions

Contract With

DSI SPORTS LLC

DSI SPORTS LLC
PO BOX 706
PUYALLUP WA 98371
PM: DEAN PIERCE
Phone: -
Email: DEANPIERCE@JOHNLCOTT.COM

Contract Name

NEW LEVEL 360

3500 SOUTH MERIDIAN UNIT 900-20
PUYALLUP WA 98371

Drawing Title

**FIRE ALARM
DRAWING - RISER
DIAGRAM**

Key Plan

Date: DECEMBER 12, 2022

Job Number: 90037

Designer: LINDSEY LESLIE

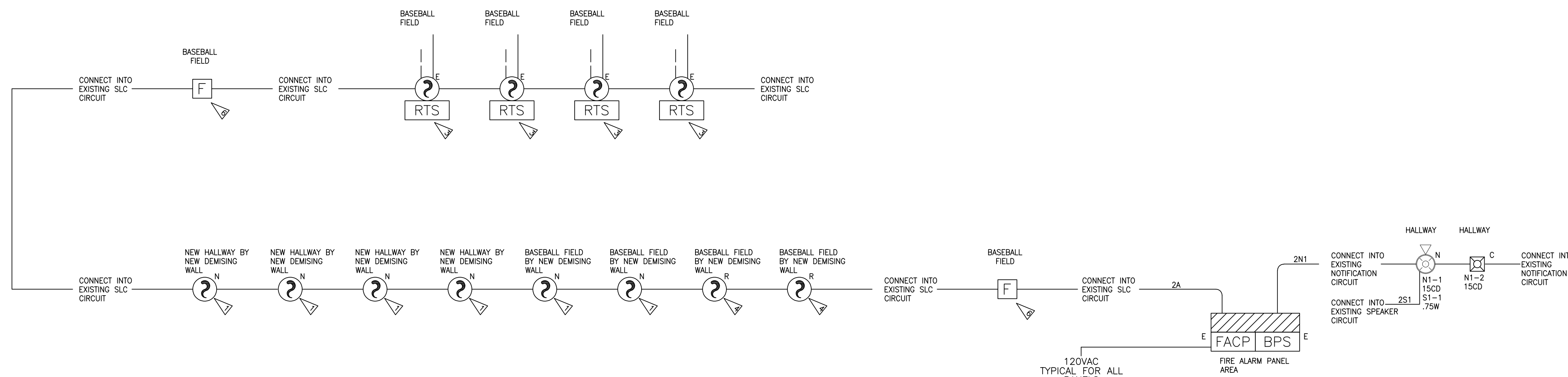
Building Permit: -

Drawing Number

**FA-03
SHEET 3 OF 6**

CABLE/CONDUCTOR LIST					
CIRCUIT TYPE	CABLE TYPE	NO.	GAUGE	COLOR	NOTES
ADDRESSABLE INITIATING CIRCUIT	FPL-TP	A	16/2	RED JACKET	
NOTIFICATION CIRCUIT	FPL-TP	N ₁	14/2	RED JACKET	
REMOTE TEST STATION CIRCUIT	FPL-TP	P	(2) 16/4	RED JACKET	

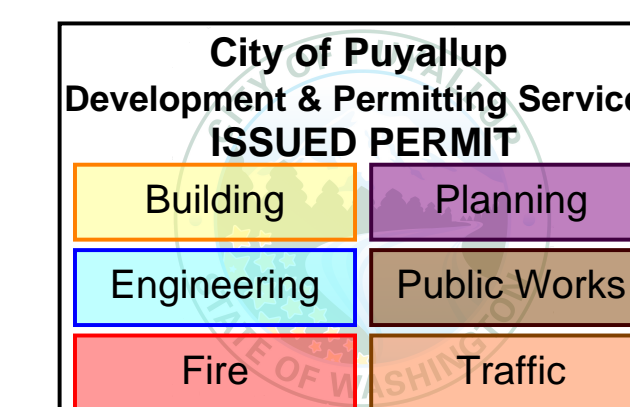
SYMBOL	MODEL NUMBER	DESCRIPTION	MANUFACTURE	BACK BOX	QTY
[FACP] ^E	E3	FIRE ALARM CONTROL PANEL - EXISTING	GAMEWELL	EXISTING	1
[BPS] ^E	HONEYWELL	BOOSTER POWER SUPPLY PANEL - EXISTING	GAMEWELL	EXISTING	1
[R] ^R	ASD-PL3	PHOTOELECTRIC SMOKE SENSOR RELOCATED	GAMEWELL	SINGLE GANG MUD RING OR 3-0 RING	2
[R] ^N	ASD-PL3	PHOTOELECTRIC SMOKE SENSOR NEW	GAMEWELL	SINGLE GANG MUD RING OR 3-0 RING	6
[F] ^N	MS7-AF	PULL STATION NEW	GAMEWELL	4 SQ. DEEP BOX W/ SINGLE GANG MUD RING	1
[F] ^E	MS7-AF	PULL STATION EXISTING	GAMEWELL	EXISTING	4
[R] ^E	DNR	ADDRESSABLE DUCT DETECTOR W/ RELAY EXISTING	GAMEWELL	EXISTING	4
[RTS] ^N	RTS151KEY	REMOTE TEST STATION NEW	SYSTEM SENSOR	SINGLE GANG BOX	4
[R] ^C	SCWL	STROBE - CEILING MOUNT - RELOCATED	SYSTEM SENSOR	4 SQ. DEEP BOX	1
[R] ^N	SPSCWL	SPEAKER/STROBE - CEILING MOUNT - NEW	SYSTEM SENSOR	4 SQ. DEEP BOX	1
[R] ^E	ASD-PL3	PHOTOELECTRIC SMOKE SENSOR EXISTING	GAMEWELL	EXISTING	1



FLAG NOTES:

- 1 INSTALLATION OF NEW ADDRESSABLE FIRE ALARM DEVICE. DEVICE ADDRESS TO BE ASSIGNED DURING PROGRAMMING.
- 2 TENANT WILL BE INSTALLING A NEW DEMISING WALL. ADD SMOKE DETECTORS 15' FROM NEW WALL TO MEET PROPER COVERAGE REQUIREMENTS.
- 3 INSTALL REMOTE TEST STATIONS ON DUCT DETECTORS. REMOTE TEST STATIONS TO BE MOUNTED ON WALL OR COLUMN WHICHEVER IS CLOSER TO THE RTU.
- 4 REMOVE SMOKE DETECTOR FROM OLD BATHROOM AREA AND RE-INSTALL WAS WALLS ARE REMOVED.
- 5 AREA ALREADY HAS PROPER NOTIFICATION AND SMOKE DETECTOR COVERAGE.
- 6 INSTALLATION OF NEW ADDRESSABLE PULL STATION AT NEW EGRESS DOOR. NEW PULL STATION WILL HAVE A COVER OVER IT TO PROTECT IT FROM FALSE ALARMS. CONNECT NEW PULL STATION INTO EXISTING SLC CIRCUIT. DEVICE ADDRESS TO BE ASSIGNED AT TIME OF INSTALLATION AS IT NEEDS TO BE VERIFIED WITH AVAILABLE ADDRESSES IN THE PANEL.

F2 FIRE ALARM RISER
SCALE: NONE





Ever Vigilant

801 VALLEY AVE NW, SUITE D
PUYALLUP, WA 98371
PHONE: (253) 840-9900 FAX (800) 591-4382
WA CL# REDHAHF901QP

NICET Stamp

Heather Mattioli
HEATHER MATTIOLI NICET #111 #147931
12/27/2022 10:14:04 PM

Approvals Required

OWNER / ARCHITECT

Revisions

Contract With

DSI SPORTS LLC

DSI SPORTS LLC
PO BOX 706
PUYALLUP WA 98371
PM: DEAN PIERCE
Phone: -
Email: DEANPIERCE@JOHNLCOTT.COM

Contract Name

NEW LEVEL 360

3500 SOUTH MERIDIAN UNIT 900-20
PUYALLUP WA 98371

Drawing Title

**FIRE ALARM
DRAWING -
VICINITY MAP**

Key Plan

Date: NOVEMBER 4, 2022

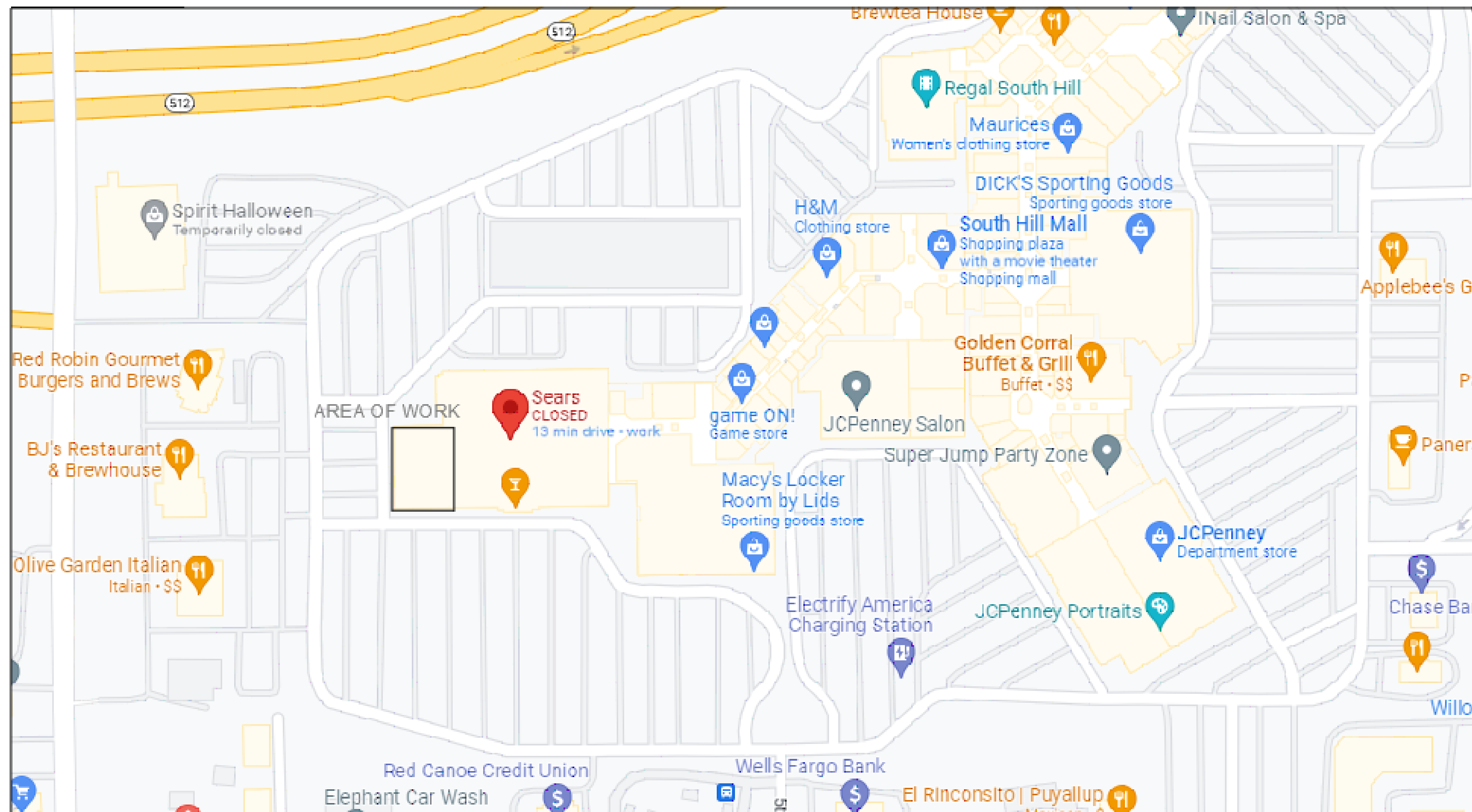
Job Number: 90037

Designer: LINDSEY LESLIE

Building Permit: -

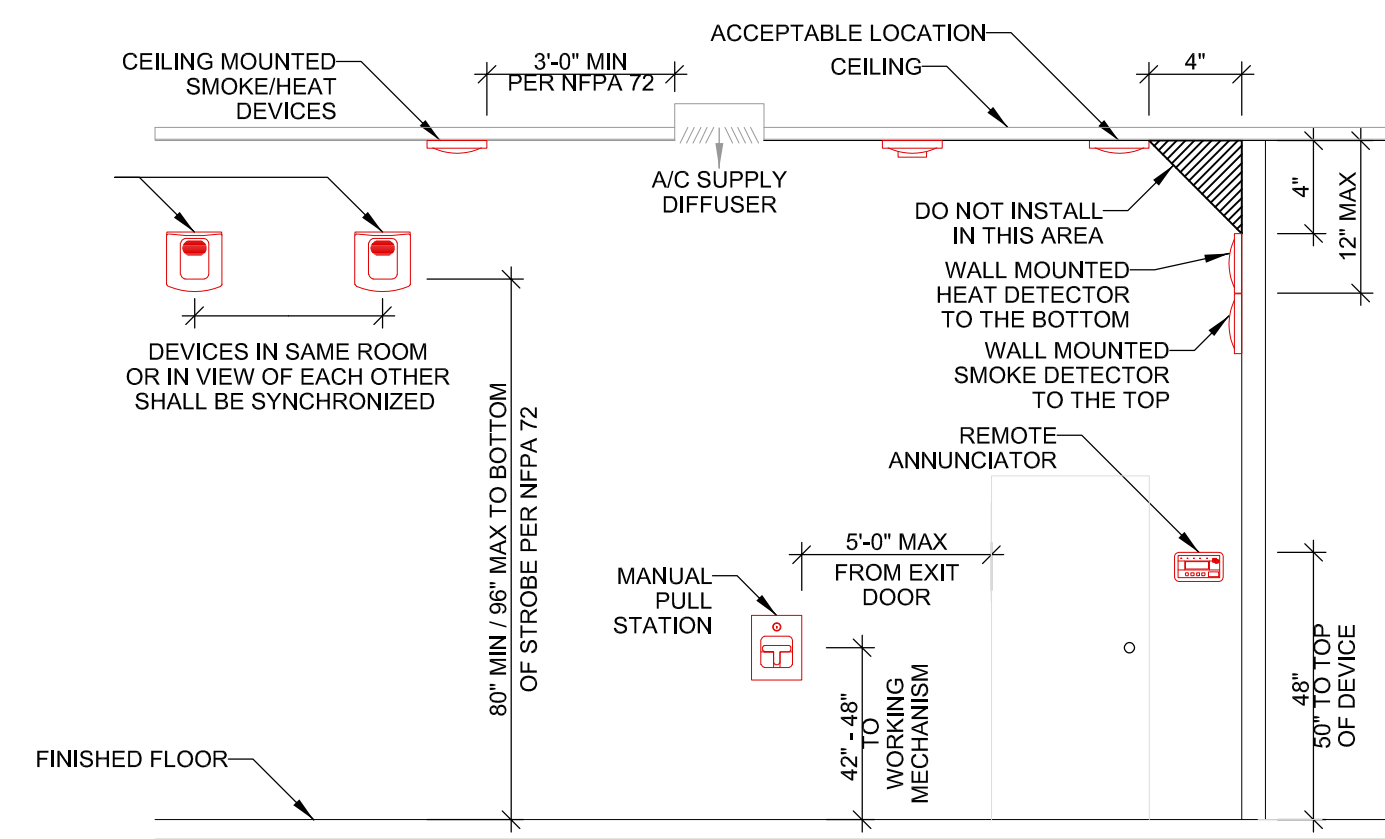
Drawing Number

**FA-04
SHEET 4 OF 6**

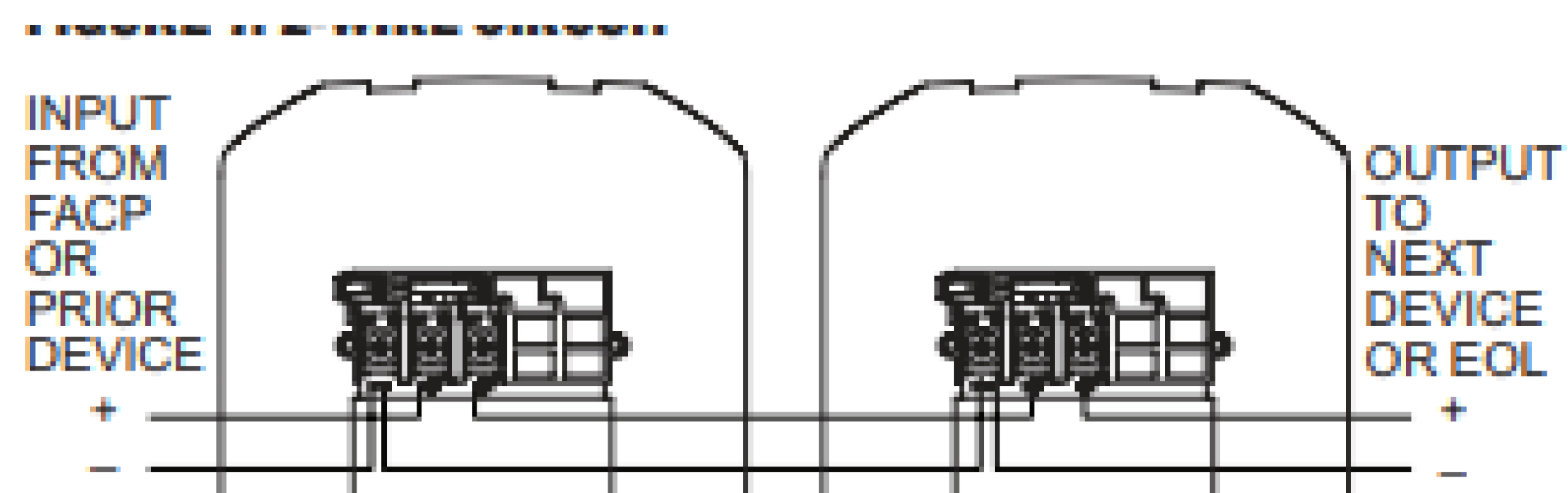


F1 VICINITY MAP
SCALE: NONE

City of Puyallup Development & Permitting Services ISSUED PERMIT	
Building	Planning
Engineering	Public Works
Fire	Traffic



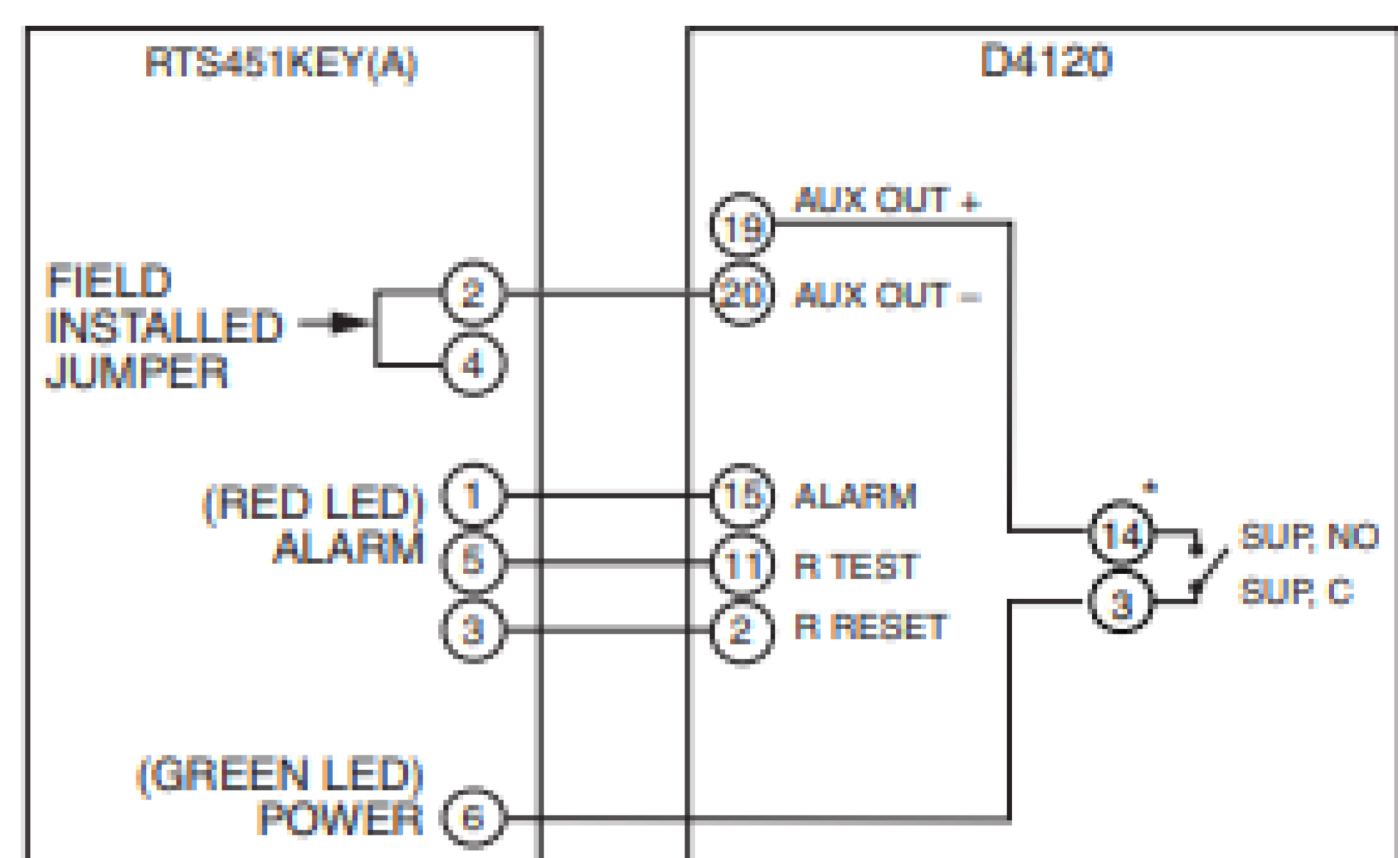
F1 DEVICE MOUNTING GUIDE
SCALE: NONE



A0367-02

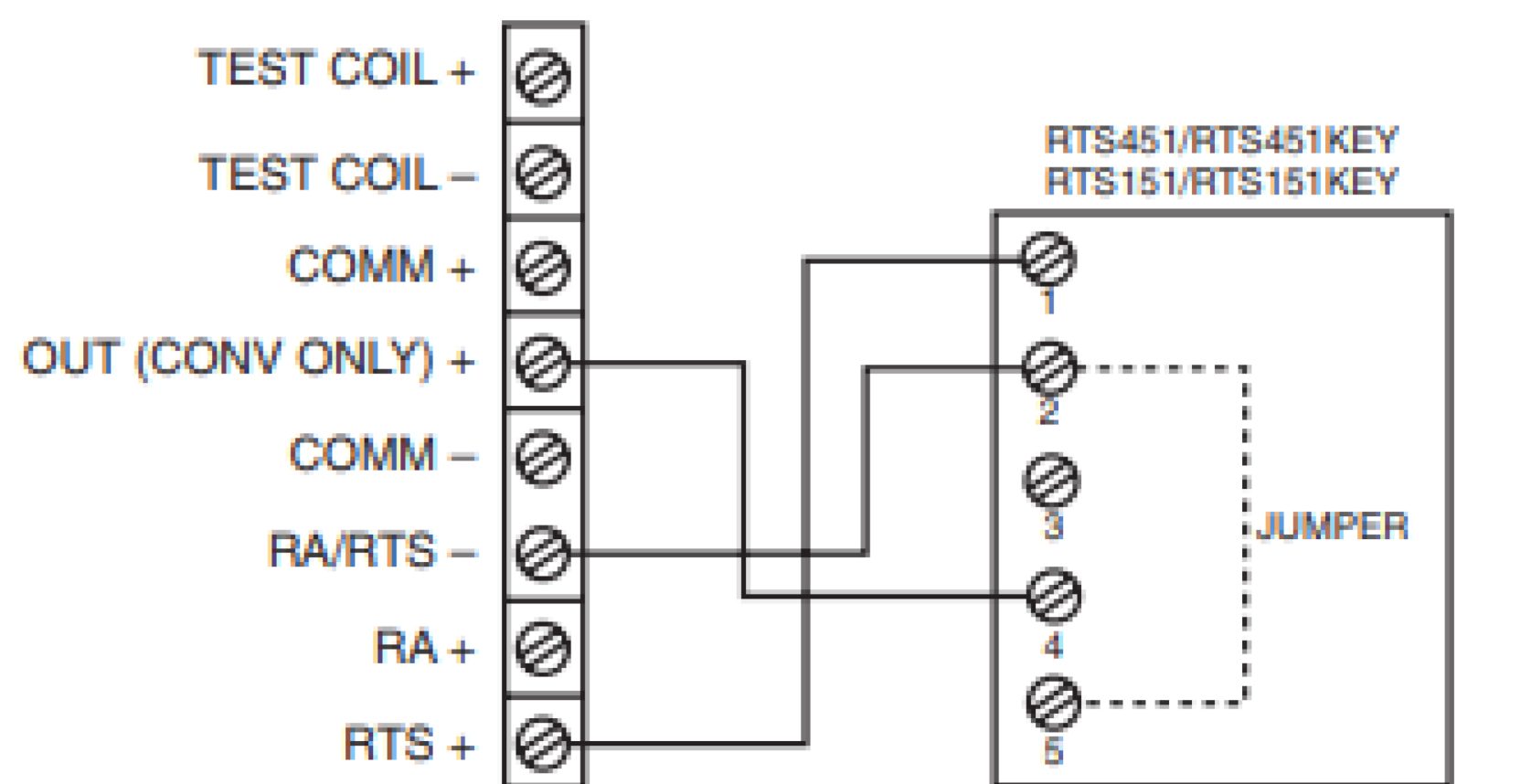
F3 NOTIFICATION DEVICES WIRING DIAGRAM
SCALE: NONE

FIGURE 2: WIRING DIAGRAM FOR RTS151KEY(A) TO D4120 4-WIRE DUCT SMOKE DETECTOR:



H0582-21

FIGURE 3: WIRING DIAGRAM FOR RTS151KEY(A) TO DNR 2-WIRE DUCT SMOKE DETECTOR WITH REMOTE TEST CAPABLE HEAD:



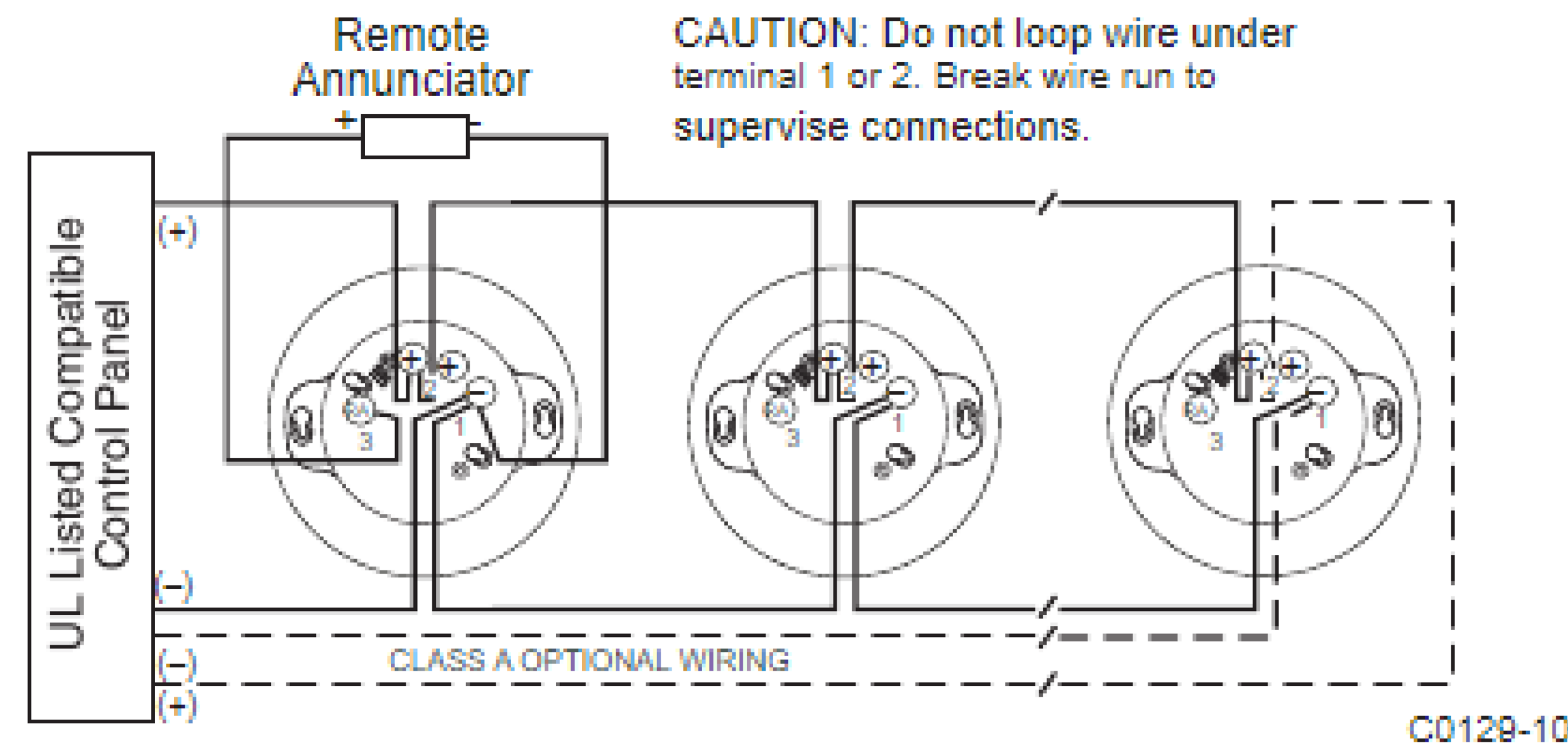
A0519-01

F5 SPEAKER STROBE WIRING DETAIL
SCALE: NONE

F6 PULL STATION WIRING DETAIL
SCALE: NONE

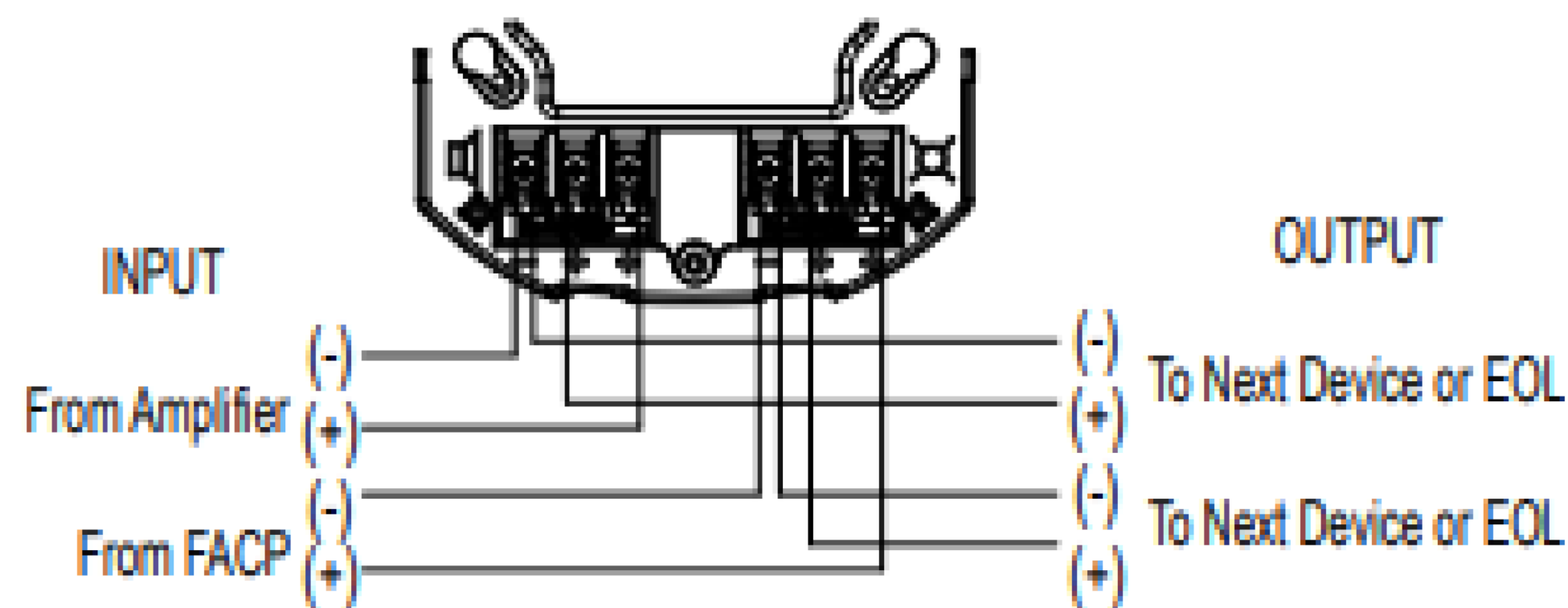
F4 REMOTE TEST STATION WIRING DETAIL
SCALE: NONE

FIGURE 2. WIRING DIAGRAM:



F2 SMOKE DETECTOR WIRING DETAIL
SCALE: NONE

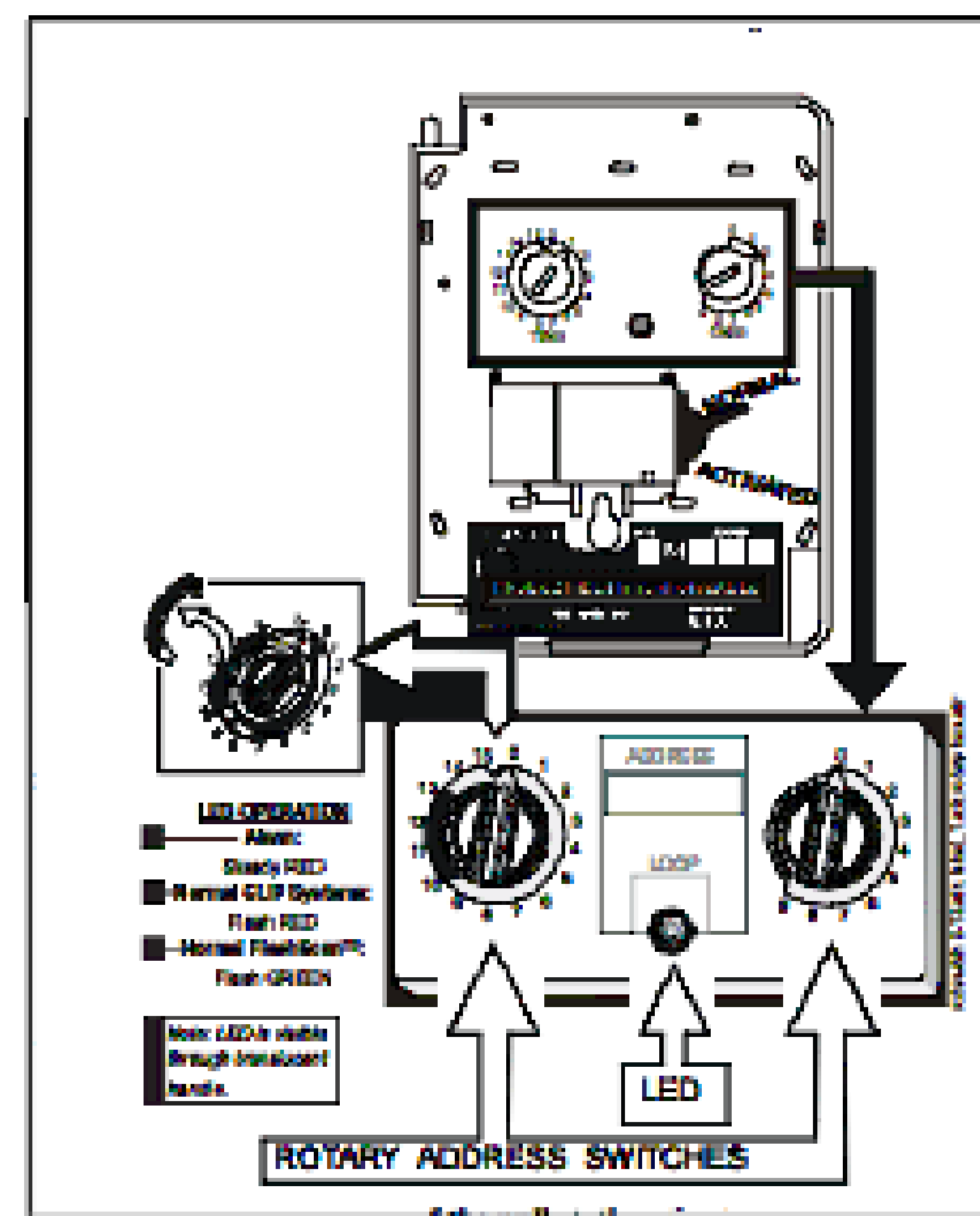
FIGURE 5. WIRING DIAGRAM AND WIRING TERMINALS



H0633-00

City of Puyallup
Development & Permitting Services
ISSUED PERMIT

Building	Planning
Engineering	Public Works
Fire	Traffic



Ever Vigilant

801 Valley Ave NW, Suite D
Puyallup, WA 98371
Phone: (253) 840-9900 Fax: (800) 591-4382
WA CL# REDHAHF9010P

NICET Stamp

Heather Mattoli
HEATHER MATTOLI NICET #1147931
12/27/2022 10:14:04 PM

Approvals Required

OWNER / ARCHITECT

Revisions

Contract With

DSI SPORTS LLC

DSI SPORTS LLC
PO BOX 706
PUYALLUP WA 98371
PM: DEAN PIERCE
Phone: -
Email: DEANPIERCE@JOHNLESCOTT.COM

Contract Name

NEW LEVEL 360

3500 SOUTH MERIDIAN UNIT 900-20
PUYALLUP WA 98371

Drawing Title

FIRE ALARM
DRAWING -
DETAILS

Key Plan

Date: DECEMBER 12, 2022

Job Number: 90037

Designer: LINDSEY LESLIE

Building Permit: -

Drawing Number



801 VALLEY AVE NW, SUITE D
PUYALLUP, WA 98371
PHONE: (253) 840-9900 FAX (800) 591-4382
WA CL# REDHAWK9010P

NICET Stamp

Heather Mattoli
HEATHER MATTOLI, NICET III #147931
12/27/2022 10:14:04 PM

Approvals Required

OWNER / ARCHITECT

Revisions

Contract With

DSI SPORTS LLC

DSI SPORTS LLC
PO BOX 706
PUYALLUP WA 98371
PM: DEAN PIERCE
Phone: -
Email: DEANPIERCE@JOHNLCOTT.COM

Contract Name

NEW LEVEL 360

3500 SOUTH MERIDIAN UNIT 900-20
PUYALLUP WA 98371

Drawing Title

**FIRE ALARM
DRAWING -
BATTERY
CALCULATIONS**

Key Plan

Date: DECEMBER 12, 2022

Job Number: 90037

Designer: LINDSEY LESLIE

Building Permit: -

Drawing Number

FA-06
SHEET 6 OF 6

System Current Draw							
E3 Series Control Panel with Broadband							
		Total Standby		Total Alarm			
		0.209 A		0.682 A			
Device	Qty	Standby Current Draw	Standby	Alarm Current Draw	Alarm		
1. System Device							
Intel. Loop Interface, Main Board (LLMB-E3)	1	x 0.08100	0.08100	1	x 0.18000	0.18000	
Intel. Loop Interface Supplement Board (LIS-E3)	0	x 0.08100		0	x 0.18000		
Intel. Loop Interface Main Board - Apollo (LMB-MB-E3)	0	x 0.05000		0	x 0.09100		
Intel. Loop Interface Supplement Board - Apollo (LMB-S-E3)	0	x 0.05000		0	x 0.09100		
7100 Panel, 1 SLC	0	x 0.05500		0	x 0.07500		
7100 Panel, 1 SLC with DAC1	0	x 0.07500		0	x 0.09500		
7100 Panel, 2 SLC	0	x 0.08500		0	x 0.08500		
7100 Panel, 2 SLC with DAC1	0	x 0.08500		0	x 0.10500		
2. E3 Optional Modules							
120V Power Supply Sub-Assembly (PM-8)	1	x 0.05000	0.05000	1	x 0.05000	0.05000	
240V Power Supply Sub-Assembly (PM-9S)	0	x 0.02700		0	x 0.02000		
LCD Display & Switch Control (LCD-E3)	1	x 0.02400	0.02400	1	x 0.02800	0.02800	
ARCNET Router (RRT-E3)	0	x 0.01300		0	x 0.01300		
Digital Communicator (DACT-E3)	1	x 0.01800	0.01800	1	x 0.01800	0.01800	
Optional Remote Serial Annunciator (LCD-7100)	0	x 0.06000		0	x 0.07500		
Network LCD Annunciator (NSA)	0	x 0.20000		0	x 0.20000		
Auxiliary Switch Sub-Assembly (ASM-16)	0	x 0.01100		0	x 0.01100		
Remote LED Driver Module (ANL-48)	0	x 0.01100		0	x 0.01100		
Addressable Node Expander (ANX)	0	x 0.06500		0	x 0.06500		
3. 7100 Optional Modules							
Intelligent Network Interface Module (INI-7100)	0	x 0.04000		0	x 0.04000		
Printer Transport Module (PTRM)	0	x 0.02000		0	x 0.02000		
Remote LED Driver Module (LDM-7100)	0	x 0.03500		0	x 0.03500		
Class A Output Module (CAOM)	0	x 0.00700		0	x 0.00700		
Municipal Circuit Output Module (MCOM)	0	x 0.00700		0	x 0.00700		
4. INI-VDC Command Center							
Intel. Network Command Center (INI-VDC)	0	x 0.15000		0	x 0.15000		
Addressable Switch Sub-assembly (ASM-16)	0	x 0.01100		0	x 0.01100		
Voice Paging Microphone (Microphone)	0	x 0.00100		0	x 0.00100		
Firefighter's Telephone (Handset)	0	x 0.02000		0	x 0.02000		
Addressable Output Module-Telephone (AOM-TEL)	0	x 0.00200		0	x 0.00200		
5. INI-VDC Voice Gateway							
Intel. Network Voice Gateway (INI-VDC)	0	x 0.15000		0	x 0.15000		
120V Power Supply Sub-Assembly (PM-8)	0	x 0.05000		0	x 0.05000		
240V Power Supply Sub-Assembly (PM-9S)	0	x 0.02700		0	x 0.02000		
Amplifier Sub-assembly, 50 watt 25V (AM-50)	0	x 0.06000		0	x 0.06000		
Amplifier Sub-assembly, 50 watt 70V (AM-50-70)	0	x 0.04000		0	x 0.04000		
Addressable Output Module-Signal (AOM-2SF)	0	x 0.00200		0	x 0.00200		
Addressable Output Module-Telephone (AOM-TEL)	0	x 0.00200		0	x 0.00200		
Addressable Output Module-Audio (AOM-MUX)	0	x 0.00200		0	x 0.00200		
6. INI-VDC Command Center Voice Gateway							
Intel. Network Command Voice Gateway (INI-VDC)	0	x 0.15000		0	x 0.15000		
Addressable Switch Sub-assembly (ASM-16)	0	x 0.01100		0	x 0.01100		
Voice Paging Microphone (Microphone)	0	x 0.00100		0	x 0.00100		
Firefighter's Telephone (Handset)	0	x 0.02000		0	x 0.02000		
Addressable Output Module-Signal (AOM-2SF)	0	x 0.00200		0	x 0.00200		
Addressable Output Module-Telephone (AOM-TEL)	0	x 0.00200		0	x 0.00200		
Addressable Output Module-Audio (AOM-MUX)	0	x 0.00200		0	x 0.00200		
7. Smoke Detector Modules							
MS7-AP PULL STATION	4	x 0.00250	0.01000	4	x 0.00250	0.01000	
ASD-PL3 SMOKE DETECTOR	13	x 0.00200	0.02600	13	x 0.00200	0.02600	
Smoke Detector Module 3	0	x 0.00000		0	x 0.00000		
Smoke Detector Module 4	0	x 0.00000		0	x 0.00000		
Smoke Detector Module 5	0	x 0.00000		0	x 0.00000		
Smoke Detector Module 6	0	x 0.00000		0	x 0.00000		
Smoke Detector Module 7	0	x 0.00000		0	x 0.00000		
Smoke Detector Module 8	0	x 0.00000		0	x 0.00000		
Smoke Detector Module 9	0	x 0.00000		0	x 0.00000		
Smoke Detector Module 10	0	x 0.00000		0	x 0.00000		
8. Notification Appliances							
SW15	5	x 0.00000	0.00000	5	x 0.06600	0.33000	
SPBCW15	1	x 0.00000	0.00000	1	x 0.06600	0.06600	
	0	x 0.00000		0	x 0.00000		
	0	x 0.00000		0	x 0.00000		
	0	x 0.00000		0	x 0.00000		

System Power Requirements			
E3 Fire Alarm Control Panel with Broadband			
Protected Premises:	NEW LEVEL 360	Date:	12/12/2022
Address:	3500 SOUTH MERIDIAN UNIT 900-20		
City:	PUYALLUP	State:	WA
		Zip:	98371
Prepared By:	RED HAWK FIRE PROTECTION	Phone:	253-840-9900
Address:	801 VALLEY AVENUE SUITE D	Email:	LINDSEYL@REDHAWKFP
City:	PUYALLUP	State:	WA
		Zip:	98371

Secondary Load Requirements **6.09** Amp Hours

Total Secondary Load from the calculation table below.

Current Draw		Time (hours)	Total (AH)
Secondary Standby Load 0.209 A	x	Required Standby Time 24 hours	5.02
Secondary Alarm Load 0.682 A	x	Required Alarm Time (hours) 0.084 hours	0.06
Total Secondary Load			5.07
Derating factor			x 1.20
Secondary Load Requirements			6.09 AH

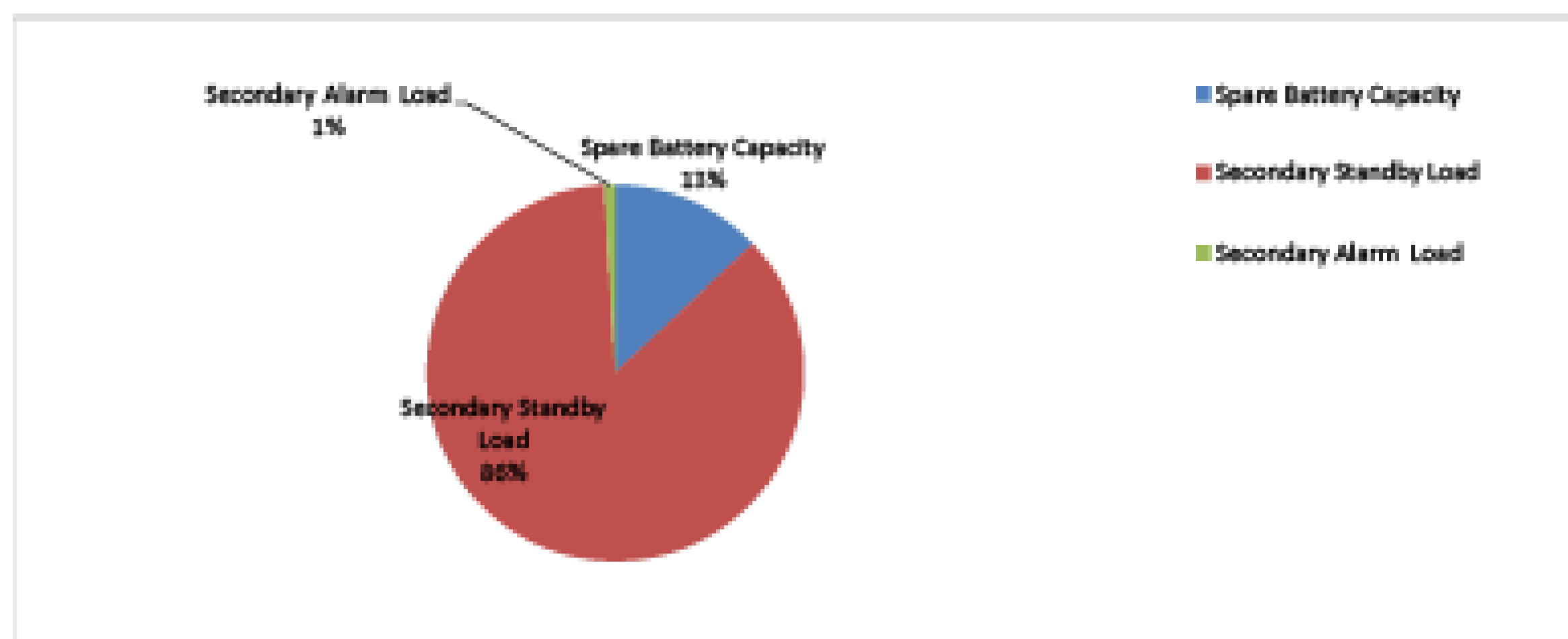
Battery Selection **7.00** Amp Hours

Select batteries from the list

7.0 AH Battery (12 volt)

Battery Distribution Chart

Shows amp-hour distribution of your selections.



Spare Battery Capacity	0.91 Amp Hours
Secondary Standby Load	6.02 Amp Hours
Secondary Alarm Load	0.07 Amp Hours

City of Puyallup Development & Permitting Services ISSUED PERMIT	
Building	Planning
Engineering	Public Works
Fire	Traffic