

FIRE ALARM LEGEND						
NEW	EXIST	SYMBOL	DESCRIPTION	MANUFACTURER	PART #	MOUNTING
1	0	[BPSx]	BOOSTER POWER SUPPLY	POTTER	PSN-106	SELF CONTAINED
14	2	[⊕]	ADDRESSABLE SMOKE DETECTOR	FARENHYT	IDP-PHOTO-W W/B300-6 BASE	4" SQ DEEP W/SINGLE GANG MUD RING
0	1	[R]	ADDRESSABLE RELAY MODULE	FARENHYT	IDP-RELAY	4 SQ DEEP
0	1	[⊕]	DUCT DETECTOR	EXISTING	EXISTING	
10	0	[XX]	STROBE - CEILING MOUNT XX - INDICATES DEVICE CANOLA SETTING	SYSTEM SENSOR	SCWL	4 SQ DEEP
2	1	[⊕]	SPEAKER/STROBE - WALL MOUNT W/cd - INDICATES MITSUBI SHIP SETTING / cd - INDICATES DEVICE CANOLA SETTING	SYSTEM SENSOR	SPSCWL	4 SQ DEEP
		R	DENOTES EXISTING DEVICE RELOCATED			
		EX	DENOTES EXISTING DEVICE			
		EOL	END OF LINE DEVICE			

SCOPE OF WORK:

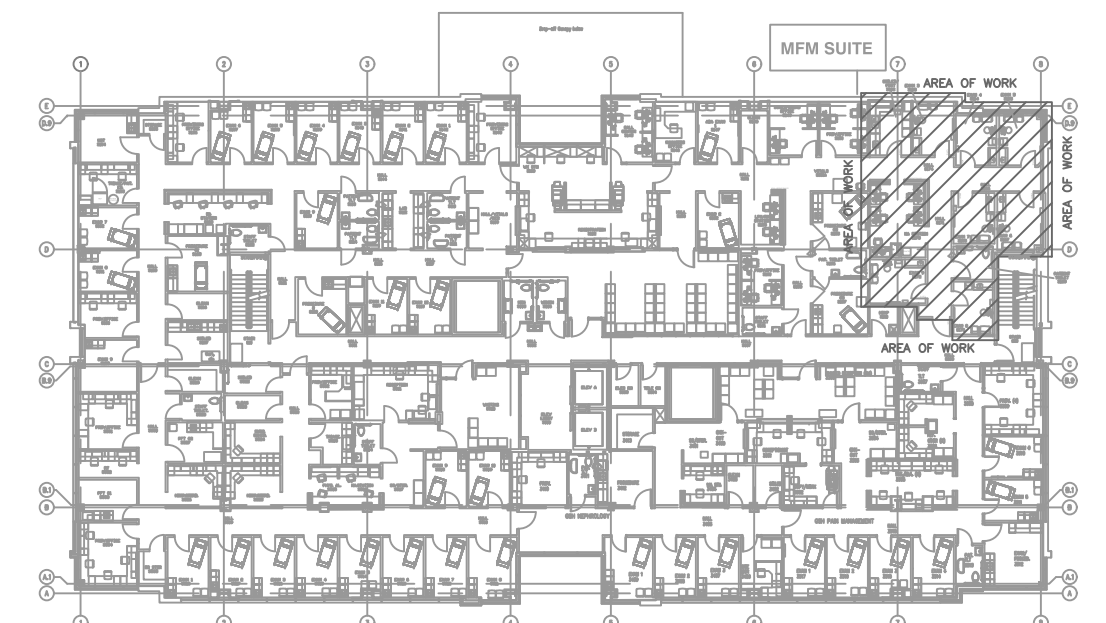
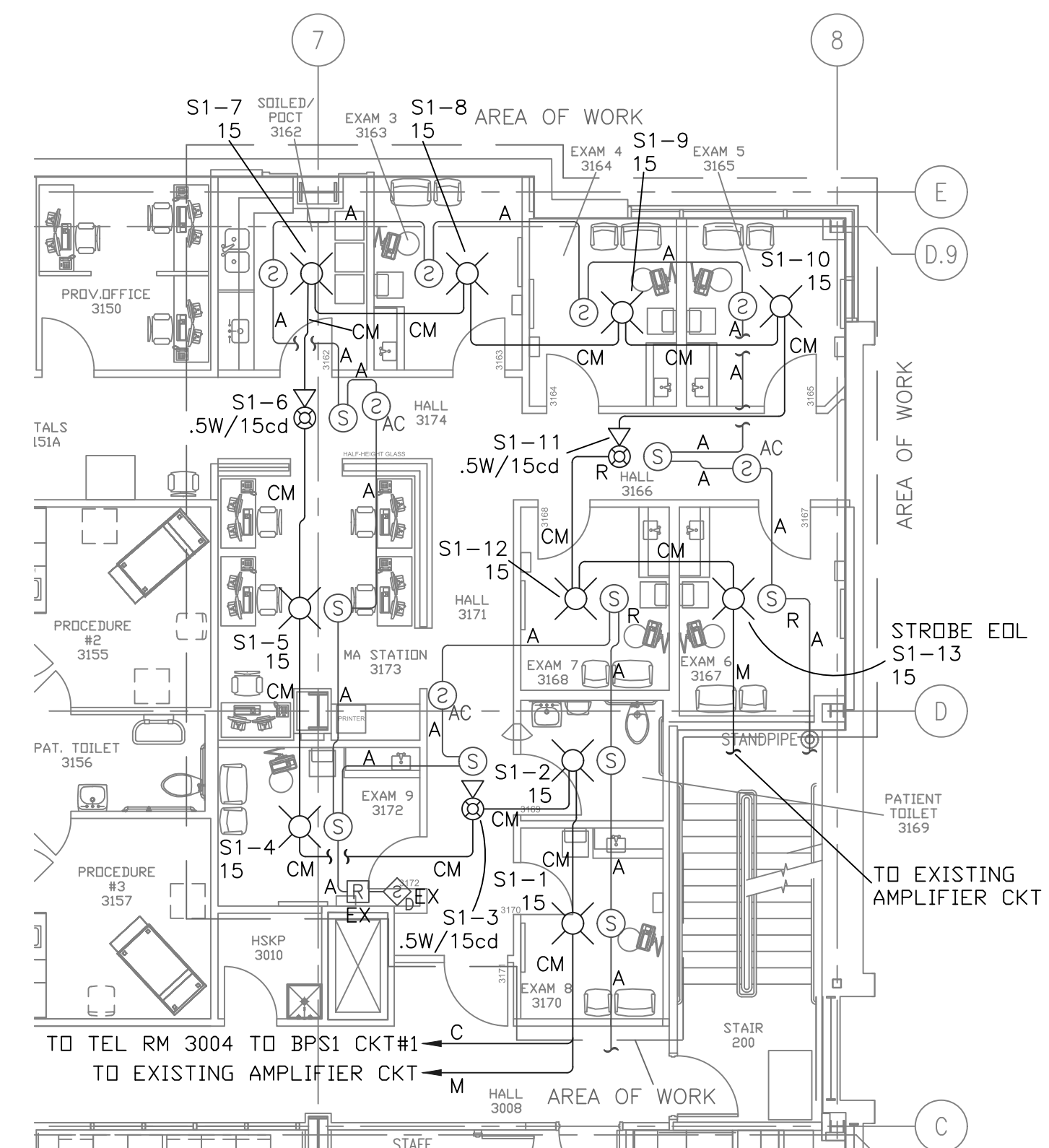
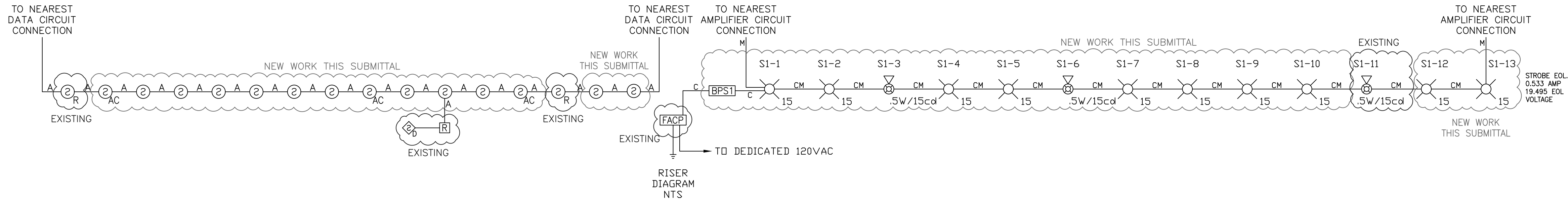
- 1) RELOCATE 2EA EXISTING SMOKE DETECTORS
- 2) ADD 14EA NEW DETECTORS ADDED TO THE EXISTING SYSTEM
- 3) ADD 1EA BOOSTER POWER SUPPLY TO POWER THE VISUAL DEVICES FOR THIS TENANT IMPROVEMENT AREA
- 4) RELOCATE 1EA SPEAKER/STROBE
- 5) INSTALL 10EA NEW STROBES AND 2EA NEW SPEAKER/STROBES IN THIS TENANT IMPROVEMENT AREA

WIRE LEGEND	
A	= 18-2 FPLP ADDRESSABLE INITIATING CKT
B	= 18-2 X 2 FPLP ADDRESSABLE INITIATING CKT LOOP
C	= 14-2 FPLP INDICATING CKT
D	= 14-2 X 2 FPLP INDICATING CKT LOOP
E	= 18-2 FPLP CONVENTIONAL INITIATING CKT
F	= 18-2 X 2 FPLP CONVENTIONAL INITIATING CKT LOOP
G	= 14-2 FPLP 24VDC POWER CKT
H	= 18-4 FPLP P-LINK CKT
I	=
J	= 18-4 FPLP ANNUNCIATOR CKT
K	= 18-2 FPLP CONTROL CKT
L	= 18-4 FPLP REMOTE TEST STATION CKT

GSMOB 3rd Fl TI Potter PSN-106 Booster Power Supply					
Current Load:		Standby:		Alarm:	
Device Type	Quantity	Amps	Total	Amps	Total
Main System Board	1	0.075	0.075	0.075	0.075
SCWL Ceiling Strobe 15cd	10			0.041	0.410
SPSCWL Ceiling Speaker/Strobe 15cd	3			0.041	0.123
Total Panel Loads:			0.075 Amps	0.608 Amps	
Standby Current Load:			0.075 Amps	For 24 Hours = 1.800 Amp-hours	
Alarm Current Load:			0.608 Amps	For 5 Minutes = 0.051 Amp-hours	
			20% Derating =	2.221 Amp-hours	
Total System Current Load:				2.221 Amp-hours	
Battery Pair to be Used:		12VDC	Amp-hours	7AH	

Voltage Drop Chart GSMOB 3rd Fl TI						
Panel	Circuit	Area	Total Wire Length	Amps	Voltage Drop	EOL Voltage
BPS #1	S1	GSMOB 3rd Fl TI	532	0.533	0.905	19.495
BPS #1	S2	Spare	0	0.000	0.000	20.400
BPS #1	S3	Spare	0	0.000	0.000	20.400
BPS #1	S4	Spare	0	0.000	0.000	20.400
BPS #1	S5	Spare	0	0.000	0.000	20.400
BPS #1	S6	Spare	0	0.000	0.000	20.400

SEQUENCE OF OPERATIONS	MANUAL PULL STATION	SMOKE DETECTION	ELEVATOR MACHINE RM/SHAFT SMOKE DET.	MAIN FLOOR ELEV. LOBBY SMOKE DET.	OTHER FLOOR ELEV. LOBBY SMOKE DET.	HEAT DETECTION	DUCT SMOKE DETECTION	WET FLOW SWITCH	DRY FLOW SWITCH	H-LOW AIR	DRY TAMPER SWITCH	WET TAMPER SWITCH	POST INDICATOR VALVE	SYSTEM TROUBLE
ACTIVATION OF LOCAL ALARM AT FACP	X	X	X	X	X	X	X	X	X	X	X	X	X	X
INDICATION OF ALARM AT LCD ANNUNCIATOR	X	X	X	X	X	X	X	X	X	X	X	X	X	X
ACTIVATE ALL AUDIBLE & VISIBLE DEVICES	X	X	X	X	X	X	X	X	X	X	X	X	X	X
SHUT DOWN RESPECTIVE HVAC UNIT							X							
INITIATE ELEV. RECALL TO MAIN FLOOR						X								
INITIATE ELEV. RECALL TO ALTERNATE FLOOR			X	X	X									
TRANSMIT ALARM SIGNAL TO CENTRAL STATION	X	X	X	X	X	X	X	X	X	X	X	X	X	X
TROUBLE/SUPV. INDICATION AT FACP							X			X	X	X	X	X
TROUBLE/SUPV. INDICATION AT LCD ANNUNCIATOR							X			X	X	X	X	X
TRANSMIT TROUBLE/SUPV. SIGNAL TO CENTRAL STATION							X			X	X	X	X	X



City of Puyallup
Development & Permitting Services
ISSUED PERMIT

Building	Planning
Engineering	Public Works
Fire	Traffic

City of Puyallup
Fire REVIEWED FOR COMPLIANCE
DDrake
02/07/2023
7:33:31 AM

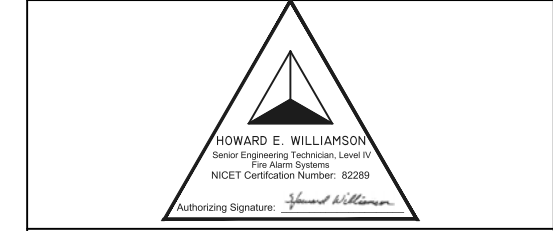
THE APPROVED CONSTRUCTION PLANS AND ALL ENGINEERING MUST BE POSTED ON THE JOB AT ALL INSPECTIONS IN A VISIBLE AND READILY ACCESSIBLE LOCATION.

Approval of submitted plans is not an approval of omissions or oversight by this office or noncompliance with any applicable regulations of local government. The contractor is responsible for making sure that the building complies with all applicable building codes and regulations of the local government.

Read Permit Conditions prior to calling for inspection.

FROULA
ALARM SYSTEMS, Inc.

Froula Alarm Systems, Inc.
861 Industry Drive
Tukwila, WA 98188
206-575-1962



FIRE ALARM SYSTEM
GSMOB - 3RD FLOOR
WOMEN'S CLINIC TENANT IMPROVEMENT
1450 - 5TH STREET SE
PUYALLUP, WASHINGTON 98372

REV.	DATE	DESCRIPTION
	12-21-22	PERMIT DRAWINGS

PROJ. MGR.: Andrew Earle
DRAFTER: HEW

FA-1
SHEET NO.
1 OF 1