

PRFUP20240169

The applicant is responsible to notify the city of a job start 48 hours in advance using the CityView portal.

The permit and traffic control plans shall be posted at the job site and available to inspectors at all times.

** Public notification shall comply with PMC Chapter 11.05.110 **

** Property Owner will be notified 5 days prior to placement or upgrade to a pedestal or vault *

City of Puyallup Development & Permitting Services ISSUED PERMIT	
Building	Planning
Engineering	Public Works
Fire	Traffic



PUYALLUP VALLEY PHYSICAL THERAPY

2323 7TH ST E PUYALLUP, WA 98374

JB0001645245

PROPOSED AERIAL AND UNDERGROUND FIBER INSTALLATION



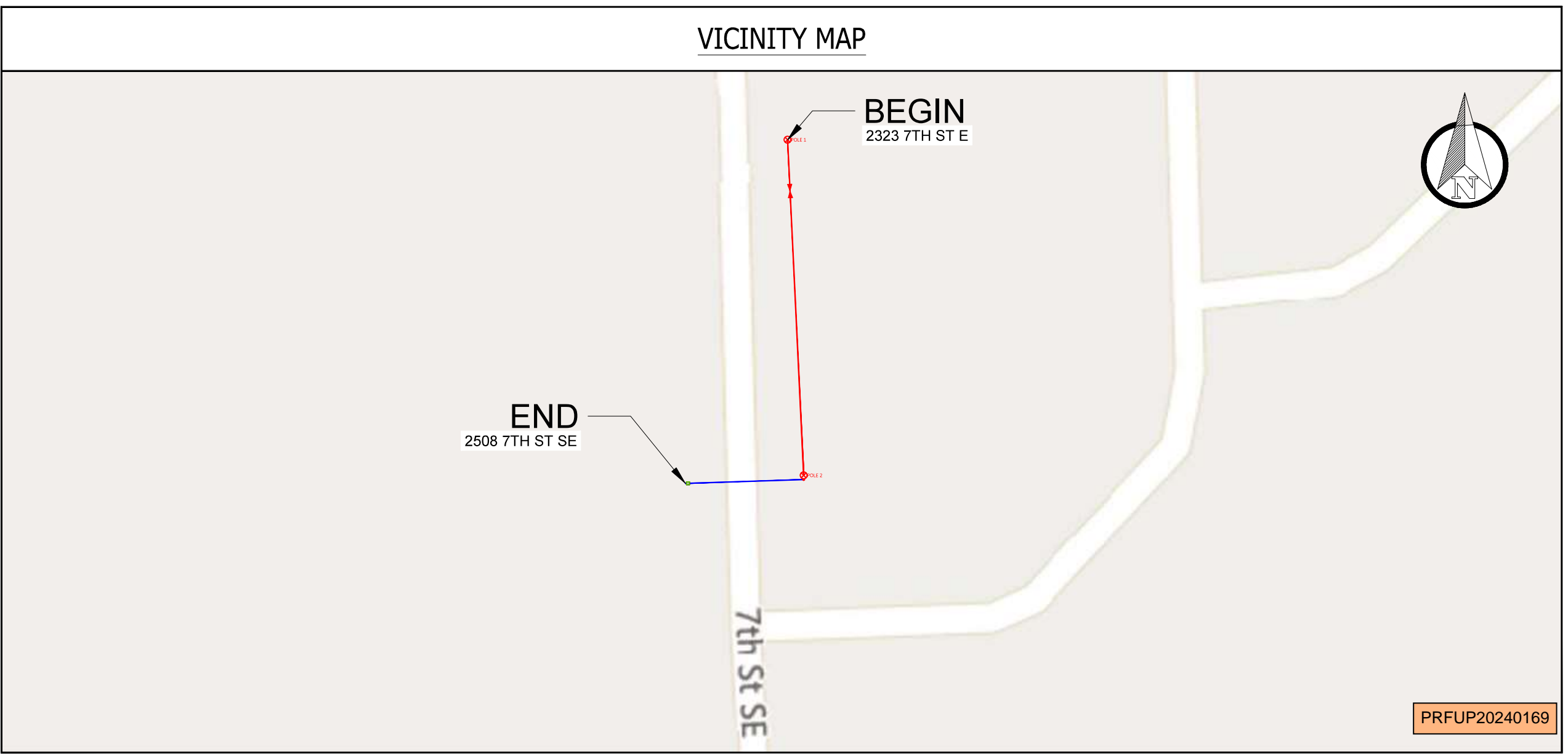


SITE NAME:
PUYALLUP VALLEY PHYSICAL THERAPY

LOCATION ADDRESS:
2323 7TH ST E
PUYALLUP, WA 98374

COMCAST JOB NUMBER:
JB0001645245

VICINITY MAP



City of Puyallup
Development & Permitting Services
ISSUED PERMIT

Building	Planning
Engineering	Public Works
Fire	Traffic

DRAWN BY: MPI
DATE: 12/20/2023

REVISIONS

DATE	DESCRIPTION	INITIAL

EXCEPT AS MAY BE OTHERWISE PROVIDED BY CONTRACT, THESE DRAWINGS AND SPECIFICATIONS SHALL REMAIN THE PROPERTY OF SEFNCO COMMUNICATIONS, INC. BOTH BEING ISSUED IN STRICT CONFIDENCE AND SHALL NOT BE REPRODUCED, COPIED, OR USED FOR ANY PURPOSE WITHOUT SPECIFIC WRITTEN PERMISSION.

SCALE: N/A
N/A

SHEET: 2 OF 7

CONTACTS

PERMITTING
ASHLEY KIEHN
4610 TACOMA AVE
SUMNER, WA 98390
PHONE: (253) 999-2271
EMAIL: ASKIEHN@SEFNCO.COM

SEFNCO OPE
PAUL JENSEN
4610 TACOMA AVE
SUMNER, WA 98390
PHONE: (253) 299-4961
EMAIL: PAJENSEN@SEFNCO.COM

COMCAST
JESSAMIN SANTOS
PUYALLUP FFO
410 VALLEY AVE, PUYALLUP, WA 98371
PHONE: (206) 401-2188
EMAIL: JESSAMIN_SANTOS@CABLE.COMCAST.COM

PG#	SHEET INDEX	DESCRIPTION OF WORK	TOTAL
1	COVER SHEET	TIE IN AT SP.WAPY.1234 & OVERLASH 48CT FIBER TO EXISTING STRAND & PLACE NEW RISER DOWN POLE (2 POLES)	195LF
2	VICINITY MAP, CONTACTS & SHEET INDEX	RISER DOWN & BORE & PLACE 2(2") CONDUITS W/ 48CT FIBER & PLACE NEW DOGHOUSE	69LF
3	GENERAL NOTES		
4	LEGEND		
5	SITE-PLAN		
6-7	TYPICAL DETAILS		
		TOTAL:	264LF



GENERAL NOTES

THE LOCATIONS OF UTILITIES SHOWN ON THESE DRAWING ARE ONLY APPROXIMATE. SEFNCO HEREBY DISCLAIMS ANY RESPONSIBILITY TO THIRD PARTIES FOR THE ACCURACY OF THIS INFORMATION. PERSONS WORKING IN THE AREA COVERED BY THIS DRAWING MUST CONTACT THE STATEWIDE CALL-BEFORE-YOU-DIG SYSTEM TO ASCERTAIN THE LOCATION OF UNDERGROUND UTILITIES PRIOR TO PERFORMING ANY EXCAVATION.

1. ALL MATERIALS, WORKMANSHIP, AND CONSTRUCTION OF UTILITY IMPROVEMENTS SHALL MEET OR EXCEED SITE WORK STANDARDS AND THE STANDARDS AND SPECIFICATIONS SET FORTH IN THE LOCAL JURISDICTION REGULATIONS AND APPLICABLE STATE AND FEDERAL REGULATIONS. WHERE THERE IS CONFLICT BETWEEN THESE PLANS AND THE SPECIFICATIONS, OR ANY APPLICABLE STANDARDS, THE HIGHER QUALITY STANDARD SHALL APPLY. ALL WORK WITHIN PUBLIC R.O.W. OR EASEMENTS MAY REQUIRE INSPECTED AND APPROVED BY THE LOCAL JURISDICTION INSPECTOR. INSPECTION SERVICES AND CONSTRUCTION CERTIFICATION TO BE PROVIDED BY DESIGNEE OF PROJECT SPONSOR/OWNER.
2. THE CONTRACTOR IS SPECIFICALLY CAUTIONED THAT THE LOCATION AND/OR ELEVATION OF EXISTING UTILITIES, AS SHOWN ON THESE PLANS, IS BASED ON RECORDS OF THE VARIOUS UTILITY COMPANIES AND, WHERE POSSIBLE, MEASUREMENTS TAKEN IN THE FIELD. THE INFORMATION IS NOT TO BE RELIED UPON AS BEING EXACT OR COMPLETE. THE CONTRACTOR MUST CALL THE LOCAL UTILITY LOCATION CENTER AT LEAST 48 HOURS BEFORE ANY EXCAVATION TO REQUEST EXACT FIELD LOCATIONS OF EXISTING UTILITIES. THE CONTRACTOR SHALL VERIFY PERTINENT LOCATIONS AND ELEVATIONS, ESPECIALLY AT THE CONNECTION POINTS AND AT POTENTIAL UTILITY CONFLICTS. IT SHALL BE THE RESPONSIBILITY OF THE CONTRACTOR TO RELOCATE ALL EXISTING UTILITIES THAT CONFLICT WITH THE PROPOSED IMPROVEMENTS SHOWN ON THESE PLANS.
3. THE CONTRACTOR SHALL BE RESPONSIBLE FOR OBTAINING ALL NECESSARY PERMITS FROM ALL APPLICABLE AGENCIES. THE CONTRACTOR SHALL NOTIFY THE LOCAL JURISDICTION INSPECTOR AT LEAST 48 HOURS PRIOR TO THE START OF ANY EARTH DISTURBING ACTIVITY OR CONSTRUCTION ON ANY AND ALL PUBLIC IMPROVEMENTS IF REQUIRED.
4. THE CONTRACTOR SHALL COORDINATE AND COOPERATE WITH THE LOCAL JURISDICTION AND ALL UTILITY COMPANIES WITH REGARD TO RELOCATIONS OR ADJUSTMENTS OF EXISTING UTILITIES DURING CONSTRUCTION, TO ASSURE THAT THE WORK IS ACCOMPLISHED IN A TIMELY FASHION, AND WITH A MINIMUM DISRUPTION OF SERVICE. THE CONTRACTOR SHALL BE RESPONSIBLE FOR CONTACTING ALL PARTIES AFFECTED BY ANY DISRUPTION OF ANY UTILITY SERVICE.
5. THE CONTRACTOR SHALL HAVE ONE (1) SIGNED COPY OF THE APPROVED PLANS, ONE (1) COPY OF THE APPROPRIATE STANDARDS AND SPECIFICATIONS, AND ONE (1) COPY OF ANY PERMITS AND EXTENSION AGREEMENTS NEEDED FOR THE JOB ON-SITE AT ALL TIMES.
6. THE CONTRACTOR SHALL BE RESPONSIBLE FOR ALL ASPECTS OF SAFETY INCLUDING, BUT NOT LIMITED TO: EXCAVATION, TRENCHING, SHORING, TRAFFIC CONTROL, AND SECURITY.
7. IF, DURING THE CONSTRUCTION PROCESS, CONDITIONS ARE ENCOUNTERED BY THE CONTRACTOR, HIS SUBCONTRACTORS, OR OTHER AFFECTED PARTIES WHICH COULD INDICATE A SITUATION THAT IS NOT IDENTIFIED IN THE PLANS OR SPECIFICATIONS, THE CONTRACTOR SHALL CONTACT THE ENGINEER IMMEDIATELY.
8. ALL REFERENCES TO ANY PUBLISHED STANDARDS SHALL REFER TO THE LATEST REVISION OF SAID STANDARD, UNLESS SPECIFICALLY STATED OTHERWISE.
9. FOR WORK AFFECTING PUBLIC ROADWAYS OR IF REQUIRED BY THE LOCAL JURISDICTION, THE CONTRACTOR SHALL SUBMIT A TRAFFIC CONTROL AND PHASING PLAN IN ACCORDANCE WITH M.U.T.C.D. FOR APPROVAL. PRIOR TO ANY CONSTRUCTION ACTIVITIES WITHIN OR AFFECTING THE RIGHT-OF-WAY, THE CONTRACTOR SHALL BE RESPONSIBLE FOR PROVIDING ANY AND ALL TRAFFIC CONTROL DEVICES AS MAY BE REQUIRED BY SAID PLANS. PRIOR TO INSTALLATION A PRECONSTRUCTION CONFERENCE SHALL BE HELD WITH LOCAL JURISDICTION.
10. THE CONTRACTOR IS RESPONSIBLE FOR PROVIDING ALL LABOR AND MATERIALS NECESSARY FOR THE COMPLETION OF THE INTENDED IMPROVEMENTS SHOWN ON THESE DRAWINGS OR DESIGNATED TO BE PROVIDED, INSTALLED, CONSTRUCTED, REMOVED OR RELOCATED UNLESS SPECIFICALLY NOTED OTHERWISE.
11. PER AGENCY STANDARDS THE CONTRACTOR SHALL BE RESPONSIBLE FOR KEEPING ROADWAYS FREE AND CLEAR OF ALL CONSTRUCTION DEBRIS AND DIRT TRACKED FROM THE SITE.
12. THE CONTRACTOR SHALL BE RESPONSIBLE FOR RECORDING RECORD INFORMATION ON A SET OF RECORD DRAWINGS KEPT AT THE CONSTRUCTION SITE AND AVAILABLE TO THE LOCAL JURISDICTION INSPECTOR AT ALL TIMES.
13. DIMENSIONS FOR LAYOUT AND CONSTRUCTION ARE NOT TO BE SCALED FROM ANY DRAWING. FOR ADDITIONAL INFORMATION CONTACT THE ENGINEER FOR CLARIFICATION AND NOTE ON THE RECORD DRAWINGS.
14. ALL EROSION AND SEDIMENT CONTROL (E.S.C.) MEASURES SHALL BE INSTALLED AT THE LIMITS OF CONSTRUCTION PRIOR TO GROUND DISTURBING ACTIVITY. ALL E.S.C. MEASURES SHALL BE MAINTAINED IN GOOD REPAIR BY THE CONTRACTOR UNTIL SUCH TIME AS THE ENTIRE DISTURBED AREAS ARE STABILIZED WITH HARD SURFACE OR LANDSCAPING.
15. ALL WORK WITHIN THE PUBLIC RIGHT-OF-WAY IS SUBJECT TO THE JURISDICTION OF THE LOCAL JURISDICTION ENGINEERING DEPARTMENT STANDARD DETAILS AND SPECIFICATIONS.
16. ALL CONSTRUCTION OPERATIONS, INCLUDING THE WARMING UP, REPAIR, ARRIVAL, DEPARTURE OR RUNNING OF TRUCKS, EARTH MOVING EQUIPMENT, CONSTRUCTION EQUIPMENT AND ANY OTHER ASSOCIATED EQUIPMENT SHALL GENERALLY BE LIMITED TO THE TIME PERIOD APPROVED BY THE LOCAL JURISDICTION.
17. CALL THE "CALL BEFORE YOU DIG" NUMBER 48HRS IN ADVANCE AT 1-800-424-5555 PRIOR TO DIGGING.

PUYALLUP

1. ALL WORK IN CITY RIGHT-OF-WAY REQUIRES A PERMIT FROM THE CITY OF PUYALLUP. PRIOR TO ANY WORK COMMENCING, THE GENERAL CONTRACTOR SHALL ARRANGE FOR A PRECONSTRUCTION MEETING AT THE DEVELOPMENT SERVICES CENTER TO BE ATTENDED BY ALL CONTRACTORS THAT WILL PERFORM WORK SHOWN ON THE APPROVED ENGINEERING PLANS, REPRESENTATIVES FROM ALL APPLICABLE UTILITY COMPANIES, THE PROJECT OWNER AND APPROPRIATE CITY STAFF. CONTACT ENGINEERING SERVICES AT (253-841-5568) TO SCHEDULE THE MEETING. THE CONTRACTOR IS RESPONSIBLE TO HAVE THEIR OWN SET OF APPROVED PLANS AT THE MEETING.

2. AFTER COMPLETION OF ALL ITEMS SHOWN ON THESE PLANS AND BEFORE ACCEPTANCE OF THE PROJECT THE CONTRACTOR SHALL OBTAIN A "PUNCH LIST" PREPARED BY THE CITY'S INSPECTOR DETAILING REMAINING ITEMS OF WORK TO BE COMPLETED. ALL ITEMS OF WORK SHOWN ON THESE PLANS SHALL BE COMPLETED TO THE SATISFACTION OF THE CITY PRIOR TO ACCEPTANCE OF THE WATER SYSTEM AND PROVISION OF SANITARY SEWER SERVICE.
3. ALL MATERIALS AND WORKMANSHIP SHALL CONFORM TO THE STANDARD SPECIFICATIONS. FOR ROAD, BRIDGE, AND MUNICIPAL CONSTRUCTION (HEREINAFTER REFERRED TO AS THE "STANDARD SPECIFICATION"), WASHINGTON STATE DEPARTMENT OF TRANSPORTATION AND AMERICAN PUBLIC WORKS ASSOCIATION, WASHINGTON STATE CHAPTER, LATEST EDITION, UNLESS SUPERSEDED OR AMENDED BY THE CITY OF PUYALLUP CITY STANDARDS FOR PUBLIC WORKS ENGINEERING AND CONSTRUCTION (HEREINAFTER REFERRED TO AS THE "CITY STANDARDS").
4. A COPY OF THESE APPROVED PLANS AND APPLICABLE CITY DEVELOPER SPECIFICATIONS AND DETAILS SHALL BE ON SITE DURING CONSTRUCTION.
5. ANY REVISIONS MADE TO THESE PLANS MUST BE REVIEWED AND APPROVED BY THE DEVELOPER'S ENGINEER AND THE CITY PRIOR TO ANY IMPLEMENTATION IN THE FIELD. THE CITY SHALL NOT BE RESPONSIBLE FOR ANY ERRORS AND/OR OMISSIONS ON THESE PLANS.
6. THE CONTRACTOR SHALL HAVE ALL UTILITIES VERIFIED ON THE GROUND PRIOR TO ANY CONSTRUCTION. CALL (811) AT LEAST TWO WORKING DAYS IN ADVANCE, THE OWNER AND HIS/HER ENGINEER SHALL BE CONTACTED IMMEDIATELY IF A CONFLICT EXISTS.
7. ANY STRUCTURE AND/OR OBSTRUCTION THAT REQUIRES REMOVAL OR RELOCATION RELATING TO THIS PROJECT SHALL BE DONE SO AT HE DEVELOPER EXPENSES.
8. ALL PLAN SETS SHALL REFERENCE THE CITY OF PUYALLUP STANDARD DETAILS APPLICABLE FOR THE PROJECT. THE DETAILS SHALL BE LOCATED ON SEPARATE PLAN SHEETS. WHERE A PARTICULAR ITEM IS CALLED OUT ON THE PLANS, A NOTE SHALL BE INCLUDED ON THE DRAWING IDENTIFYING THE APPLICABLE CITY STANDARD DETAIL REFERENCING THE PLAN SHEET THE DETAIL IS LOCATED ON AND THE CITY STANDARD NUMBER (I.E., FOR A FIRE HYDRANT LOCATED ON THE PLANS, THE NOTE SHOULD READ "SEE CITY STANDARD NO. 03.05.01 ON SHEET 3 OF 3"). ALL OTHER REQUIRED DETAILS NOT STANDARDIZED BY THE CITY OF PUYALLUP SHALL BE SHOWN ON A SEPARATE DETAIL SHEET.
10. LOCATIONS OF EXISTING UTILITIES ARE APPROXIMATE. IT SHALL BE THE CONTRACTOR'S RESPONSIBILITY TO DETERMINE THE TRUE ELEVATIONS AND LOCATIONS OF HIDDEN UTILITIES. ALL VISIBLE ITEMS SHALL BE THE ENGINEERS RESPONSIBILITY.
11. THE CONTRACTOR SHALL INSTALL, REPLACE, OR RELOCATE ALL SIGNS, SHOWN ON THE PLANS OR AS AFFECTED BY CONSTRUCTION, PER CITY STANDARDS.
12. POWER, STREET LIGHT, CABLE , AND TELEPHONE LINES SHALL BE IN A TRENCH LOCATED WITHIN A 10-FOOT UTILITY EASEMENT ADJACENT TO PUBLIC RIGHT-OF-WAY. CROSSINGS SHALL HAVE A MINIMUM HORIZONTAL SEPARATION FROM THEIR UTILITIES (SEWER,WATER, AND STORM) OF 5 FEET.
13. ALL CONSTRUCTION SURVEYING FOR EXTENSIONS OF FACILITIES SHALL BE DONE UNDER THE DIRECTION OF A WASHINGTON STATE LICENSED LAND SURVEYOR A WASHINGTON STATE LICENSED PROFESSIONAL CIVIL ENGINEER.
14. DURING CONSTRUCTION, ALL PUBLIC STREETS ADJACENT TO THIS PROJECT SHALL BE KEPT CLEAN OF ALL MATERIAL DEPOSITS RESULTING FROM ON-SITE CONSTRUCTION, AND EXISTING STRUCTURES SHALL BE PROTECTED AS DIRECTED BY THE CITY.
15. CERTIFIED RECORD DRAWNGS ARE REQUIRED PRIOR TO PROJECT ACCEPTANCE.
16. A NPDES STORMWATER GENERAL PERMIT MAY BE REQUIRED BY THE DEPARTMENT OF ECOLOGY FOR THIS PROJECT. FOR INFORMATION CONTACT THE DEPARTMENT OF ECOLOGY, SOUTHWEST REGION OFFICE AT (360) 407-6300.
17. ANY DISTURBANCE OR DAMAGE TO CRITICAL AREAS AND ASSOCIATED BUFFERS, OR SIGNIFICANT TREES DESIGNATED FOR PRESERVATION AND PROTECTION SHALL BE MITIGATED IN ACCORDANCE WITH A MITIGATION PLAN REVIEWED AND APPROVED BY THE CITY'S PLANNING DIVISION. PREPARATION AND IMPLEMENTATION OF THE MITIGATION PLAN SHALL BE AT THE DEVELOPER'S EXPENSE.

PRFUP20240169



SITE NAME:
PUYALLUP VALLEY PHYSICAL THERAPY

LOCATION ADDRESS:
2323 7TH ST E
PUYALLUP, WA 98374

COMCAST JOB NUMBER:
JB0001645245

GENERAL NOTES

City of Puyallup Development & Permitting Services	
ISSUED PERMIT	
Building	Planning
Engineering	Public Works
Fire	Traffic

DRAWN BY: MPI
DATE: 12/20/2023

REVISIONS		
DATE	DESCRIPTION	INITIAL

EXCEPT AS MAY BE OTHERWISE PROVIDED BY CONTRACT, THESE DRAWINGS AND SPECIFICATIONS SHALL REMAIN THE PROPERTY OF SEFNCO COMMUNICATIONS, INC. BOTH BEING ISSUED IN STRICT CONFIDENCE AND SHALL NOT BE REPRODUCED, COPIED, OR USED FOR ANY PURPOSE WITHOUT SPECIFIC WRITTEN PERMISSION.

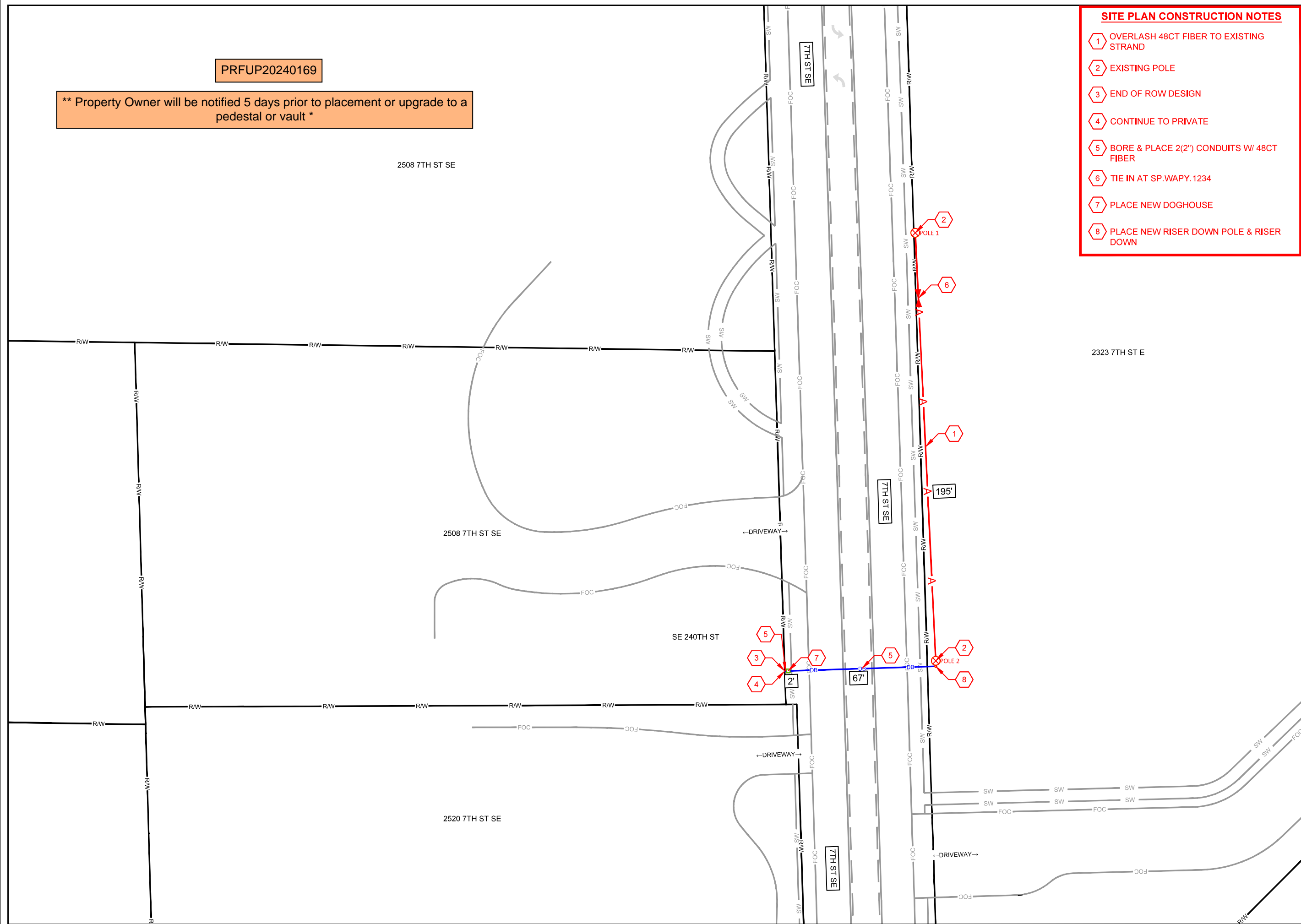
SCALE: N/A
SHEET: 3 OF 7

PRFUP20240169

** Property Owner will be notified 5 days prior to placement or upgrade to a pedestal or vault *

SITE PLAN CONSTRUCTION NOTES

- 1 OVERLASH 48CT FIBER TO EXISTING STRAND
- 2 EXISTING POLE
- 3 END OF ROW DESIGN
- 4 CONTINUE TO PRIVATE
- 5 BORE & PLACE 2(2") CONDUITS W/ 48CT FIBER
- 6 TIE IN AT SP.WAPY.1234
- 7 PLACE NEW DOGHOUSE
- 8 PLACE NEW RISER DOWN POLE & RISER DOWN



SEFNCO
COMMUNICATIONS

COMCAST

811
Know what's below. Call before you dig.
DIGALERT
CALL TOLL FREE 800-487-4811
48 HOURS BEFORE YOU DIG
UNDERGROUND SERVICE ALERT 811

SITE NAME: PUYALLUP VALLEY PHYSICAL THERAPY

LOCATION ADDRESS: 2323 7TH ST E
PUYALLUP, WA 98374

COMCAST JOB NUMBER: JB0001645245

SITE PLAN - 1

City of Puyallup
Development & Permitting Services
ISSUED PERMIT

Building	Planning
Engineering	Public Works
Fire	Traffic

DRAWN BY: MPI
DATE: 12/20/2023

REVISIONS

DATE	DESCRIPTION	INITIAL

EXCEPT AS MAY BE OTHERWISE PROVIDED BY CONTRACT, THESE DRAWINGS AND SPECIFICATIONS SHALL REMAIN THE PROPERTY OF SEFNCO COMMUNICATION, INC. BOTH BEING ISSUED IN STRICT CONFIDENCE AND SHALL NOT BE REPRODUCED, COPIED, OR USED FOR ANY PURPOSE WITHOUT SPECIFIC WRITTEN PERMISSION.

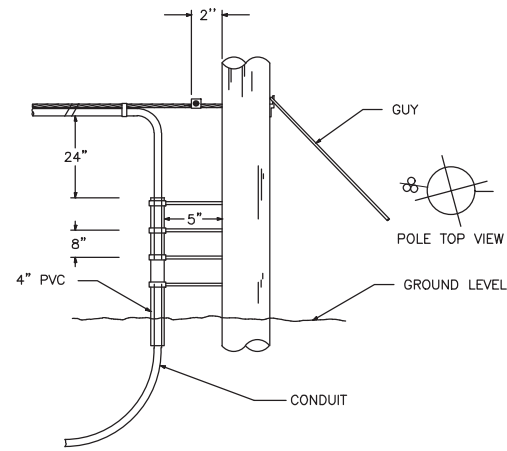
SCALE: 1"=40'
SHEET 5 OF 7

AERIAL TYPICALS

PRFUP20240169

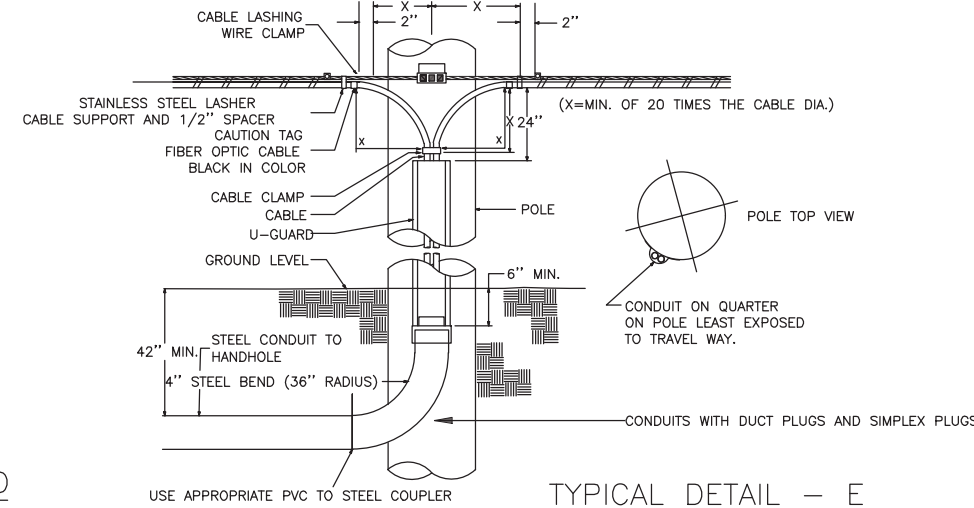
TYPICAL DETAIL - A

POLE ARRANGEMENT FOR AERIAL TO BURIED CABLE



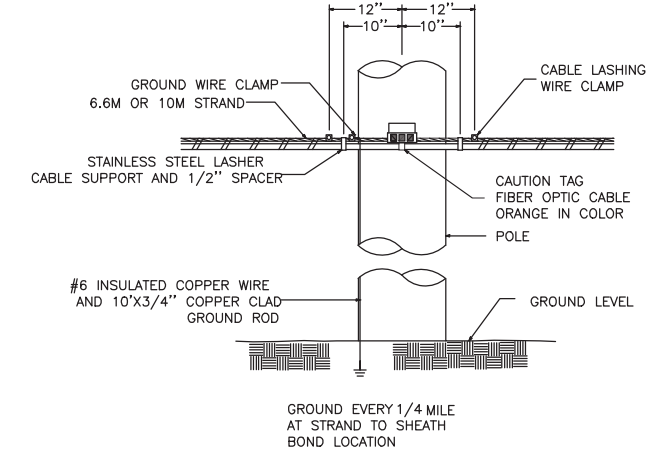
TYPICAL DETAIL - B

POLE ARRANGEMENT FOR REPEATER OR HANDHOLE LOCATION

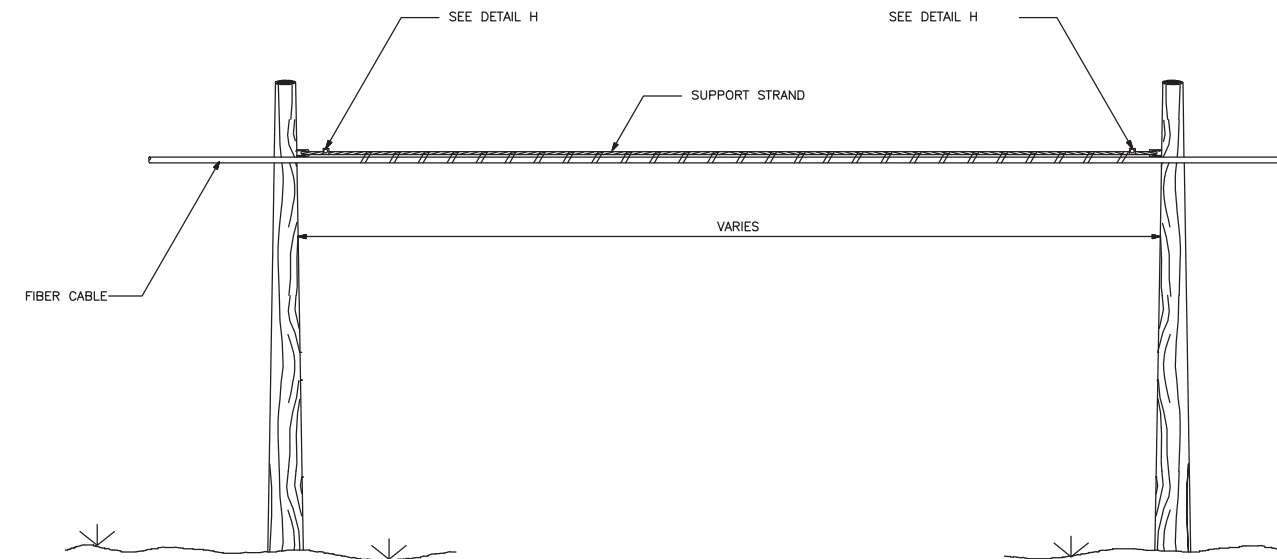


TYPICAL DETAIL - C

TYPICAL CABLE & HARDWARE INSTALLATION (6.6M STRAND \ 10M STRAND)

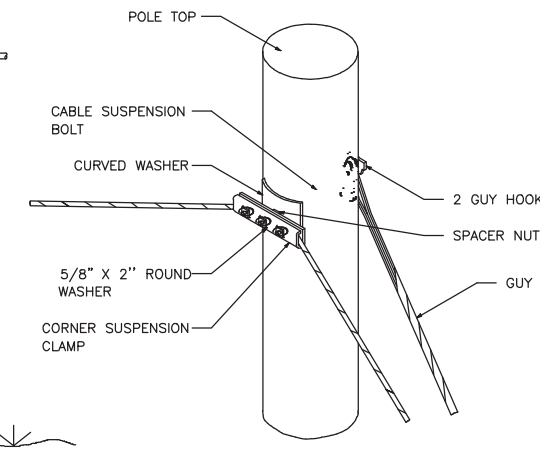


TYPICAL DETAIL - D



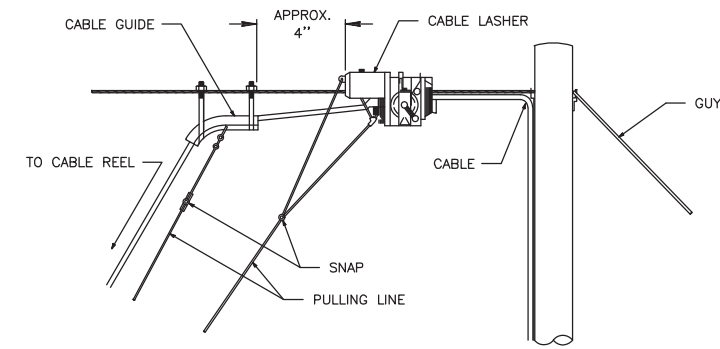
TYPICAL DETAIL - E

SUSPENSION STRAND - PULL AWAY FROM POLE - 5 FEET OR MORE



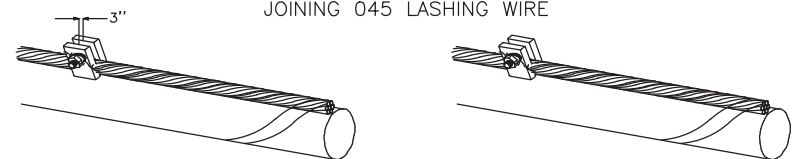
TYPICAL DETAIL - F

TYPICAL ARRANGEMENT OF CABLE LASHER AND CABLE GUIDE



TYPICAL DETAIL - G

JOINING O45 LASHING WIRE



REMOVE ANY SLACK IN THE LASHING WIRE BY MAINTAINING A PULL ON THE WIRE AND TAPPING THE STRAND SHARPLY. THEN FORM THE WIRE OVER THE STUD AND TIGHTEN THE NUT. CUT THE FREE END OF THE LASHING WIRE OFF 3/4\"/>

FORM THE LASHING WIRE AROUND THE STRAND AND PLACE IT BELOW THE STUD AND BETWEEN THE SECOND WASHER AND STUD SHOULDER.

FORMING WIRE OVER STUD OF CLAMP

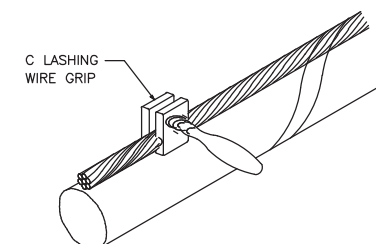
FORMING LASHING WIRE AROUND STRAND



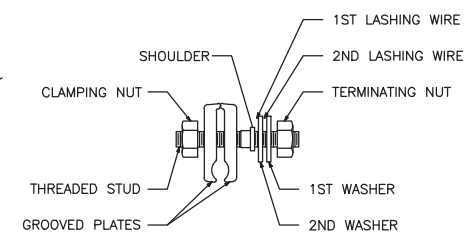
TYPICAL DETAIL - H

LASHING WIRE GRIP AND CLAMP

C LASHING WIRE GRIP INSTALLED ON STRAND



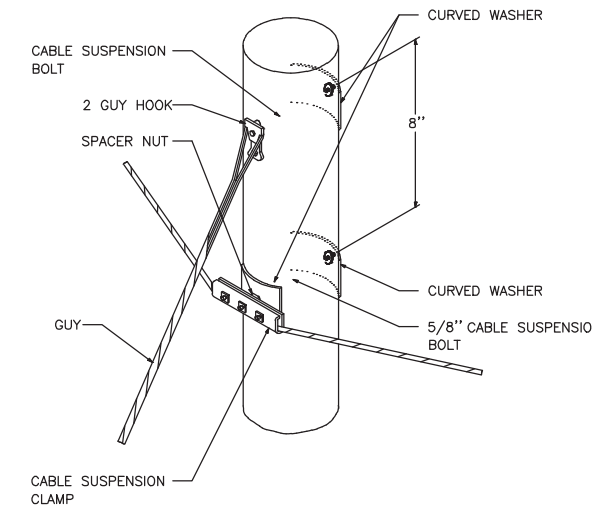
D CABLE LASHING CLAMP



NOTE: LASHING WIRE SHOULD FOLLOW LAY OF STRAND WIRES UNDER GRIP.

TYPICAL DETAIL - I

SUSPENSION STRAND - PULL TOWARD POLE - LESS THAN 5 FEET



SEFNCO
COMMUNICATIONS

COMCAST

811
Know what's below. Call before you dig. DIGALERT CALL TOLL FREE 48 HOURS BEFORE YOU DIG. UNDERGROUND SERVICE ALERT 811

SITE NAME: PUYALLUP VALLEY PHYSICAL THERAPY

LOCATION ADDRESS: 2323 7TH ST E PUYALLUP, WA 98374

COMCAST JOB NUMBER: JB0001645245

TYPICAL DETAILS

City of Puyallup
Development & Permitting Services
ISSUED PERMIT

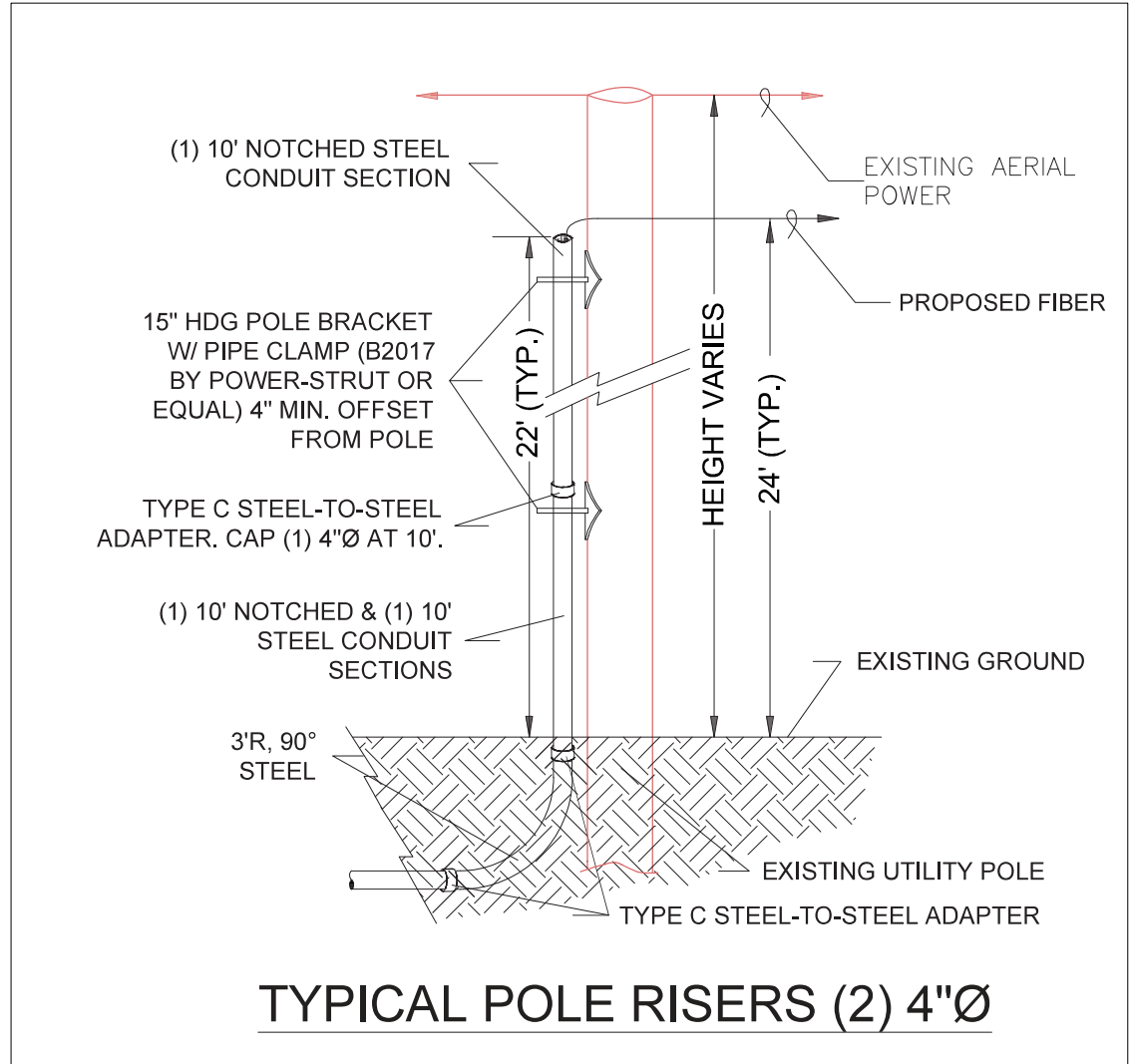
Building Planning
Engineering Public Works
Fire Traffic

DRAWN BY: MPI
DATE: 12/20/2023

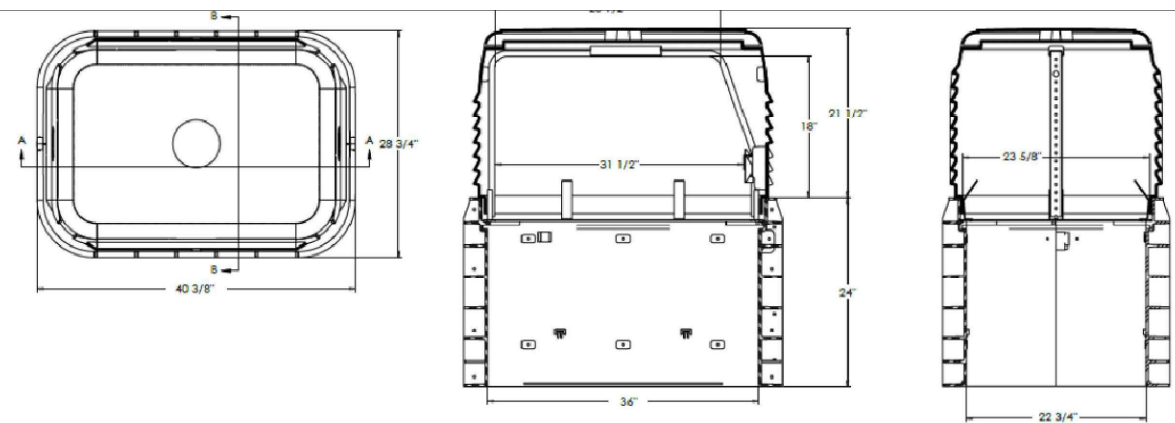
REVISIONS

DATE	DESCRIPTION	INITIAL

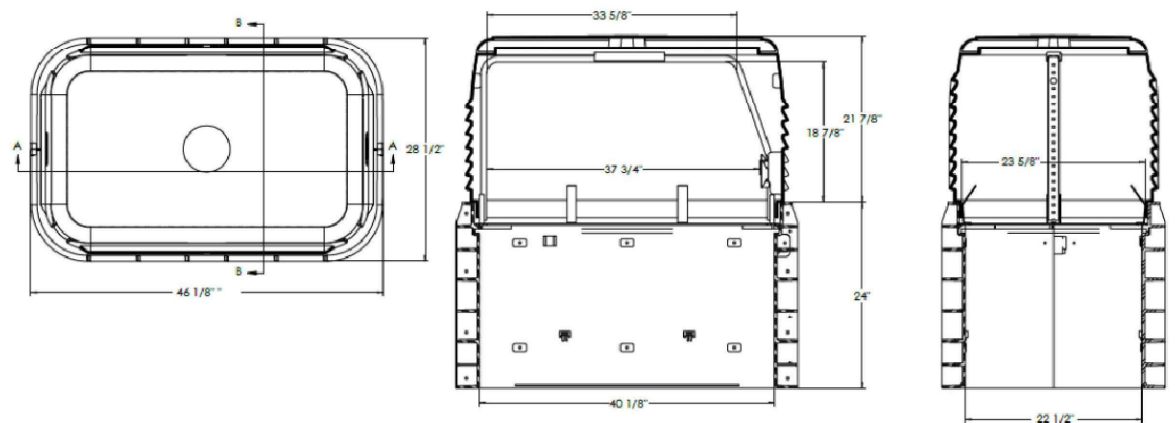
EXCEPT AS MAY BE OTHERWISE PROVIDED BY CONTRACT, THESE DRAWINGS AND SPECIFICATIONS SHALL REMAIN THE PROPERTY OF SEFNCO COMMUNICATIONS, INC. BOTH BEING ISSUED IN STRICT CONFIDENCE AND SHALL NOT BE REPRODUCED, COPIED, OR USED FOR ANY PURPOSE WITHOUT SPECIFIC WRITTEN PERMISSION.



OSV 2436 Dimensions



OSV 2442 Dimensions



SEFNCO
COMMUNICATIONS

COMCAST

811
Know what's below.
Call before you dig.
DIGALERT
CALL TOLL FREE
48 HOURS BEFORE YOU DIG
UNDERGROUND SERVICE ALERT
811

SITE NAME: PUYALLUP VALLEY PHYSICAL THERAPY

LOCATION ADDRESS: 2323 7TH ST E
PUYALLUP, WA 98374

COMCAST JOB NUMBER: JB0001645245

TYPICAL DETAILS

PAGE 2

City of Puyallup
Development & Permitting Services
ISSUED PERMIT

Building	Planning
Engineering	Public Works
Fire	Traffic

DRAWN BY: MPI
DATE: 12/20/2023

REVISIONS

DATE	DESCRIPTION	INITIAL

EXCEPT AS MAY BE OTHERWISE PROVIDED BY CONTRACT, THESE DRAWINGS AND SPECIFICATIONS SHALL REMAIN THE PROPERTY OF SEFNCO COMMUNICATIONS, INC. BOTH BEING ISSUED IN STRICT CONFIDENCE AND SHALL NOT BE REPRODUCED, COPIED, OR USED FOR ANY PURPOSE WITHOUT SPECIFIC WRITTEN PERMISSION.