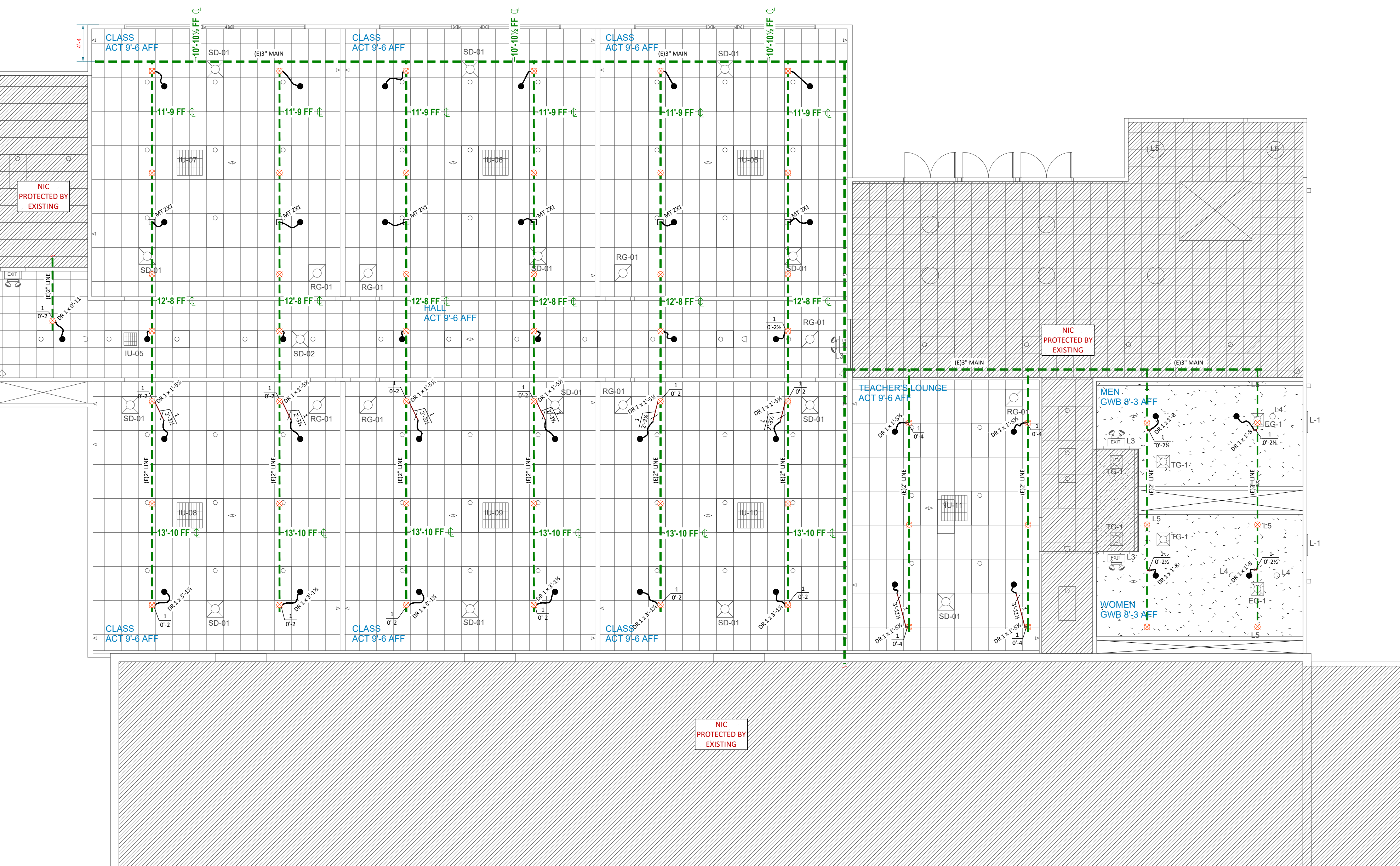
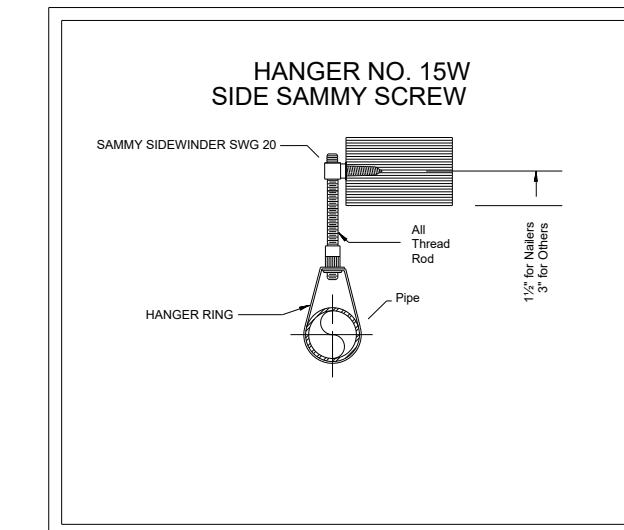
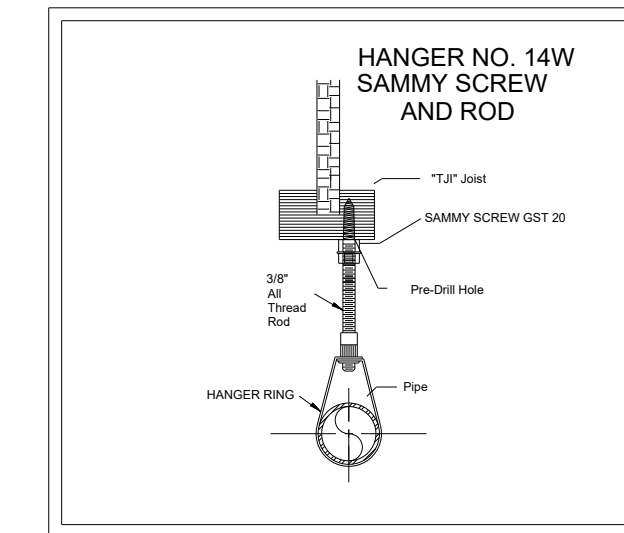


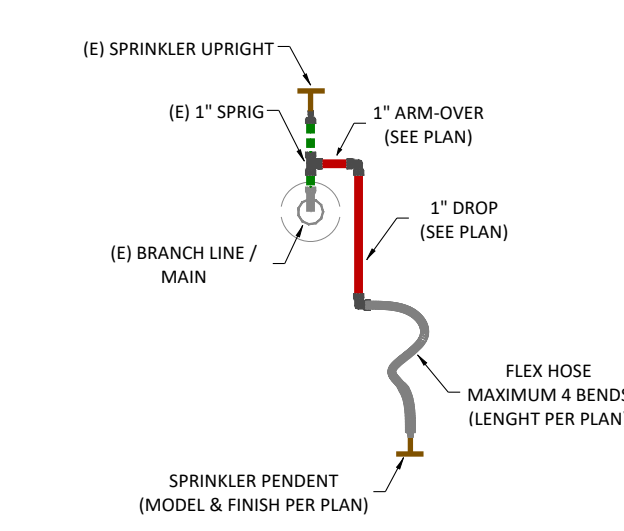
SECTION VIEW
SCALE: 1/8" = 1'-0"



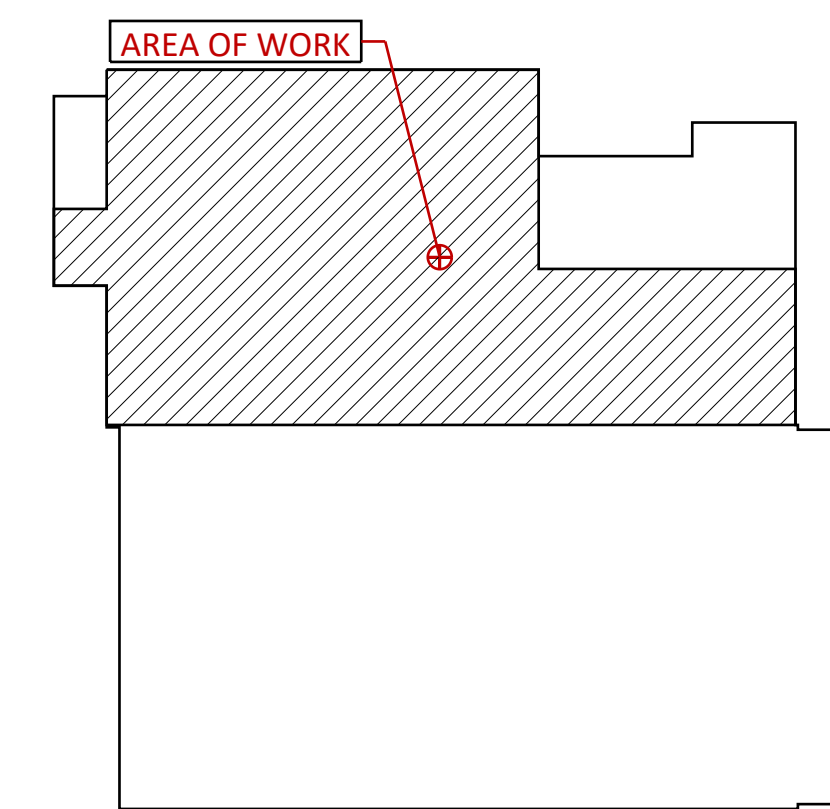
2ND FLOOR - FIRE PROTECTION
SCALE: 1/8" = 1'-0"



HANGER DETAILS
SCALE: NTS



FLEXDROP DETAIL - D1
SCALE: NTS



KEY PLAN
SCALE: NTS

SCOPE OF WORK:

- 1) MODIFY THE EXISTING FIRE SPRINKLER SYSTEM TO ACCOMMODATE THE NEW WALLS AND CEILINGS.

GENERAL NOTES:

- 1) MATERIALS INSTALLATION AND DESIGN PER NFPA 13 STANDARDS
- 2) ALL AREAS PROTECTED BY A WET PIPE SYSTEM MUST BE MAINTAINED AT 40 DEGREE F TO PREVENT WATER IN PIPES FROM FREEZING BY OTHERS
- 3) STRUCTURAL ADEQUACY OF THE BUILDING TO SUPPORT THE SPRINKLER PIPING BY OTHERS.
- 4) ALL FIRE ALARMS, WIRING, MONITORING ARE BY OTHERS.

EXCLUSIONS:

- 1) FIRE WATCH OR TEMPORARY SPRINKLER PROTECTION DURING CONSTRUCTION.
- 2) ACOUSTICAL CAULKING
- 3) FIRESTOP CAULKING
- 4) HEAT TRACE OR INSULATION
- 5) UPRIGHT SPRINKLER PROTECTION ABOVE NONCOMBUSTIBLE CONCEALED SPACES.
- 6) PAINTING SPRINKLER PIPE
- 7) REPAIRS OR MODIFICATIONS TO THE EXISTING SYSTEM BEYOND THE SCOPE OF WORK
- 8) MODIFICATION OF EXISTING MAINS AND BRANCH LINES
- 9) STRUCTURAL ANALYSIS, SEISMIC INVESTIGATION
- 10) FPE AND PE REVIEW
- 11) UNDERGROUND WORK

DESIGN CRITERIA:

- PER NFPA 13 - 2016 AND CITY OF PUYALLUP
- 1) CLASSROOMS, TEACHER'S LOUNGE AND RESTROOMS - LIGHT HAZARD
 - 2) ALL COMBUSTIBLE CONCEALED SPACES PROTECTED BY EXISTING

TENANT IMPROVEMENT: NO HYDRAULIC CALCULATION

THIS PROJECT IS A TENANT IMPROVEMENT. THE FACILITY HAS ALREADY BEEN PROTECTED BY AN EXISTING FIRE SPRINKLER SYSTEM. MODIFICATION FOR NEW WALLS, CEILINGS, AND HVAC LAYOUT WILL BE DONE WITHOUT AFFECTING THE CAPABILITY OF THE EXISTING SYSTEM HYDRAULIC DESIGN.

CONSTRUCTION TYPE:

- WOOD, UNOBSTRUCTED UNO ON PLAN
UNOBSTRUCTED CONSTRUCTION
SPRINKLER DEFLECTOR - 12" MAX. BELOW DECK / CEILING

FIELD NOTE:

- SPRINKLER PIPING:
- 1) ALL NEW ARM-OVER AND DROP TO BE SCH 40 BLACK FINISH 1"
- SPRINKLER PLACEMENT:
- 1) ALL NEW SPRINKLER PENDENT TO BE IN CENTER FOR 2' X 2' TILES
 - 2) ALL NEW SPRINKLER PENDENT TO BE IN CENTER OF 2' DIRECTION AND QUARTER POINT OF 4' DIRECTION FOR 2' X 4' TILES
 - 3) ALL NEW SPRINKLER MINIMUM 1'-0 AWAY AND ALIGN WITH THE LIGHTING FIXTURES FOR GWB CEILING UNO
- SPRINKLER SPACING:
- 1) EXTENDED COVERAGE - 18 X 18 FOR LIGHT HAZARD (MATCHING EXISTING HYDRAULIC DESIGN)



VICINITY MAP
SCALE: NTS

Symbol	Manufacturer	SIN	Model	Quantity	K-Factor	Type	Size	Response	Finish	Temperature	Note
●	Viking	VK534	EC/QREC	39	11.2	Pendent	3/4"	Quick	Chromo	155°F	CH - REC - 18X18
				Total = 39							

CERTIFICATION OF COMPETENCY		REVISIONS		CUSTOMER INFORMATION	
NO.	DATE	NO.	DATE	PROJECT MANAGER:	CELL PHONE:
1				COREY PATTON	(253) 709-0348
				EMAIL: Cory.Patton@Absherco.com	
				SUPERINTENDENT: GLENN VANCE	CELL PHONE: (206) 554-1520
				EMAIL: Glenn.Vance@Absherco.com	

ABBREVIATIONS		DRAWING SYMBOLS		DRAWING SYMBOLS		FLEX DROP LEGEND		SPRINKLER PIPE LEGEND		WALL LEGEND	
SP	SPRING	2-WAY EQ BRACING	NEW MECHANICAL TEE (U-BOLT)	NEW MECHANICAL TEE	NEW MECHANICAL TEE (U-BOLT)	4"	4'-0 FLEX DROP	NEW SPRINKLER PIPE	NEW FULL HEIGHT WALL		
RN	RISER NIPPLE	4-WAY EQ BRACING	NEW MECHANICAL TEE	RELOCATED EXISTING SPRINKLER	NEW MECHANICAL TEE	4' EL	4'-0 FLEX DROP, ELBOW STYLE	EXISTING SPRINKLER PIPE	NEW FULL HEIGHT SOFFIT HEADER		
DR	DROP	HANGER LOCATION	RELOCATED EXISTING SPRINKLER	EXISTING SYSTEM COMPONENT	RELOCATED EXISTING SPRINKLER	6' EL	6'-0 FLEX DROP	NEW LOW WALLS (AT LEAST 18" BELOW FINISH CEILING)			
FF	FRESH FLOOR	BRANCH LINE RESTRAINT LOCATION	EXISTING SYSTEM COMPONENT	FLEXIBLE COUPLING	NEW FLEX DROP	4'8R	4'-0 FLEX DROP, ELBOW STYLE	EXISTING FLEX DROP			
TS	TOP OF STRUCTURE	CENTER LINE			NEW FLEX DROP		4'-0 FLEX DROP, ELBOW STYLE				
BOS	BOTTOM OF STRUCTURE	BOTTOM OF DECK ELEVATION			EXISTING FLEX DROP		4'-0 FLEX DROP, ELBOW STYLE				
BOM	BOTTOM OF MAIN	HYDRAULIC CALCULATION NODE					4'-0 FLEX DROP, ELBOW STYLE				
BOL	BOTTOM OF BRANCH LINE	SPRINKLER MAIN FAB					4'-0 FLEX DROP, ELBOW STYLE				
OTS	OPEN TO STRUCTURE	SPRINKLER BRANCH LINE FAB					4'-0 FLEX DROP, ELBOW STYLE				
FO	FIELD ORDER						4'-0 FLEX DROP, ELBOW STYLE				
COI	CUT ON JOB						4'-0 FLEX DROP, ELBOW STYLE				
IFOW	INSIDE FACE OF WALL						4'-0 FLEX DROP, ELBOW STYLE				
OFOW	OUTSIDE FACE OF WALL						4'-0 FLEX DROP, ELBOW STYLE				
NAS	NO AUTO SPRINKLER REQUIRED UNLESS NOTED OTHERWISE						4'-0 FLEX DROP, ELBOW STYLE				
UNO	NOT IN CONTRACT						4'-0 FLEX DROP, ELBOW STYLE				
INC	NOT IN CONTRACT						4'-0 FLEX DROP, ELBOW STYLE				

CASCADE CHRISTIAN JR. HIGH 2ND FL TI

815 21ST ST. SE
PUYALLUP, WA 98372

AHJ: CITY OF PUYALLUP

ABSHER CONSTRUCTION CO.

JOB NO.	231009IG01
DATE	03/15/24
DESIGNER	LI LI
PM	LI LI
SCALE	1/8"=1'-0"

FP
1 OF 1

