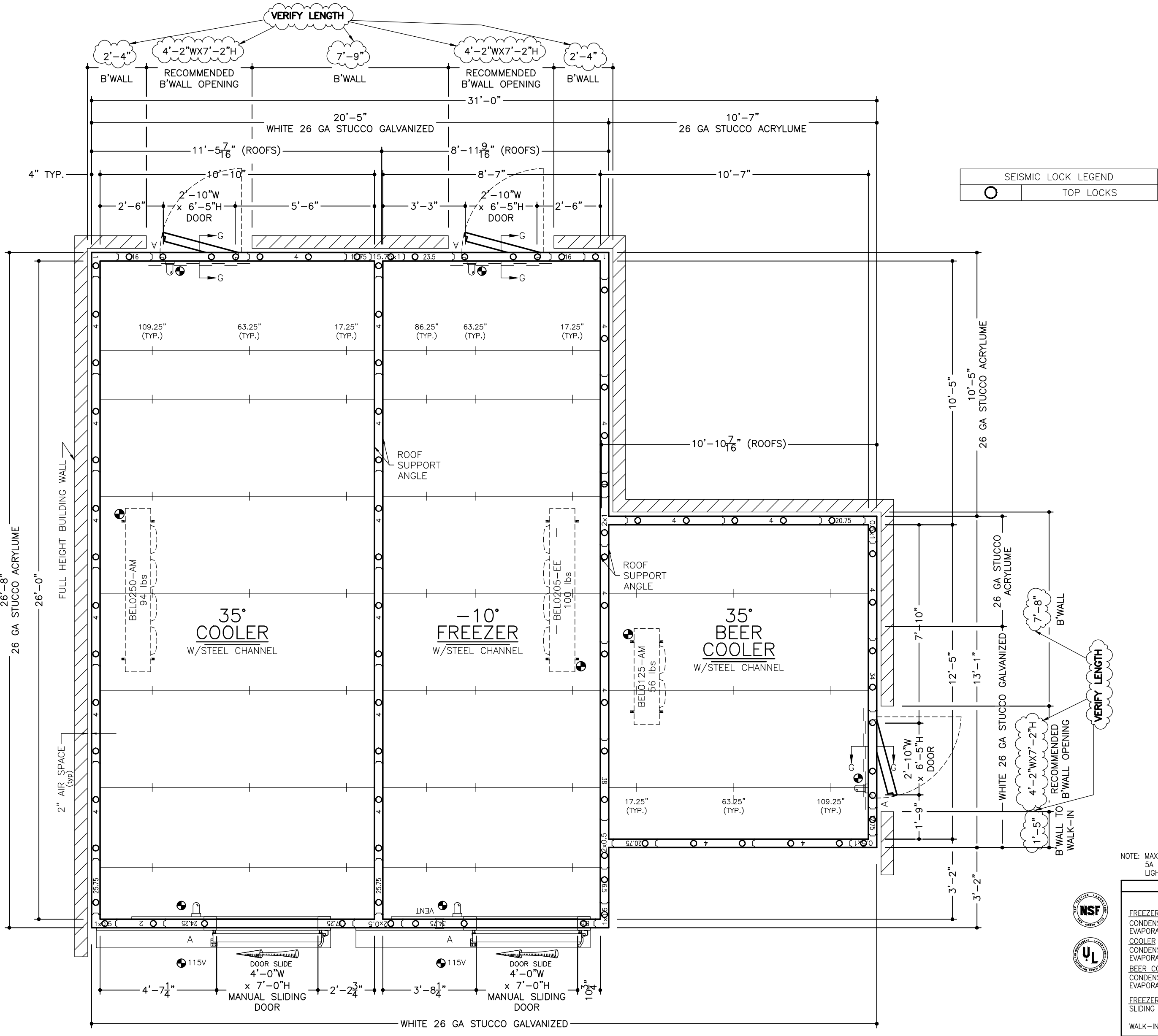


~SPECIFICATIONS~
 BOX HEIGHT: FREEZER - 10'-2" OVERALL (9'-2" INTERIOR)
 COOLER - 10'-2" OVERALL (9'-2" INTERIOR)
 BEER COOLER - 10'-2" OVERALL (9'-2" INTERIOR)
 CONSTRUCTION: FOAMED IN PLACE
 NSF LISTED, STANDARD NO. 7
 INSULATION: 4" URETHANE, FINISHED PANEL
 UL CLASSIFIED FLAME SPREAD 20
 CORE SMOKE DEVELOPED 250
 INSTALLATION: INDOOR
 FLOOR: FREEZER - FLOORLESS W/STEEL CHANNEL & SEISMIC RESTRAINTS
 INSULATED SLAB (SLAB BY OTHERS)
 COOLER - FLOORLESS W/STEEL CHANNEL & SEISMIC RESTRAINTS
 INSULATED SLAB (SLAB BY OTHERS)
 BEER COOLER - FLOORLESS W/STEEL CHANNEL & SEISMIC RESTRAINTS
 INSULATED SLAB (SLAB BY OTHERS)
 DOOR HARDWARE & ACCESSORIES: (EACH DOOR)
 DEADBOLT HANDED W/KEYED CYLINDER LOCK, PADLOCK
 PROVISION & QUARTER TURN INSIDE RELEASE (EXTERIOR DOORS ONLY)
 FRAME HEATER WIRE
 HYDRAULIC DOOR CLOSER
 IC+ WALK-IN DOOR CONTROLLER AND ALARM SYSTEM INCLUDING:
 INTEGRATED LIGHT SWITCH WITH AUTOMATIC LIGHT OFF AND 3-WAY & 4-WAY CAPABILITY
 TEMPERATURE MONITOR AND LOGGER WITH HIGH TEMP. AND LOW TEMP. VISUAL AND AUDIO ALARM
 F OR C TEMPERATURE SELECTION
 INTEGRATED DRY CONTACT FOR ALARM SIGNALING & POWER FAILURE (1A @ 24VAC, 1A @ 30VDC)
 DOOR AND WINDOW HEATER CONTROL (WHEN SO EQUIPPED)
 HACC PREVIEW VIA ONBOARD LCD SCREEN
 HACC DOWNLOAD VIA USB
 WIFI CONNECTIVITY (INTERNET ENABLED WIFI NETWORK NEEDED)
 BATTERY BACKUP
 TEMPERATURE ALARM NOTIFICATION VIA EMAIL &/OR EMAIL TO SMS TEXT MESSAGES
 POWER FAILURE NOTIFICATION VIA EMAIL &/OR EMAIL TO SMS TEXT MESSAGES
 (FOR THIS FEATURE TO WORK THE LOCAL WIFI NETWORK MUST BE POWER PROTECTED AND WORKING AT THE TIME OF POWER FAILURE EVENT)
 AUTOMATIC AND ON DEMAND TRANSMISSION OF HACC DATA VIA EMAIL
 ADAPTIVE SETTINGS
 25' AIR TEMPERATURE PROBE
 DOOR SWITCH TO ENABLE DOOR ALARM, DOOR ALARM NOTIFICATION VIA EMAIL &/OR EMAIL TO SMS TEXT MESSAGES, AND AUTOMATIC LIGHTS ON WHEN DOOR OPENS
 PANIC ALARM WITH ILLUMINATED PANIC BUTTON, ALARM BUZZER WITH LED, & NOTIFICATION VIA EMAIL &/OR EMAIL TO SMS TEXT MESSAGES
 KASON SCREW-IN VAPOR PROOF LIGHT FIXTURE
 W/8.5 WATT SYLVANIA LED BULB & GLOBE
 STRIP CURTAIN
 2 - STD. CAM RISE HINGES
 SPECIAL DOORS: 1 - 4'-0"W x 7'-0"H FRANK FREEZER MANUAL SLIDING DOOR
 1 - 4'-0"W x 7'-0"H FRANK COOLER MANUAL SLIDING DOOR
 PANEL MOUNTED ACCESSORIES: 2 - IC+ WALK-IN DOOR CONTROLLER AND ALARM SYSTEM INCLUDING:
 INTEGRATED LIGHT SWITCH WITH AUTOMATIC LIGHT OFF AND 3-WAY & 4-WAY CAPABILITY
 TEMPERATURE MONITOR AND LOGGER WITH HIGH TEMP. AND LOW TEMP. VISUAL AND AUDIO ALARM
 F OR C TEMPERATURE SELECTION
 INTEGRATED DRY CONTACT FOR ALARM SIGNALING & POWER FAILURE (1A @ 24VAC, 1A @ 30VDC)
 DOOR AND WINDOW HEATER CONTROL (WHEN SO EQUIPPED)
 HACC PREVIEW VIA ONBOARD LCD SCREEN
 HACC DOWNLOAD VIA USB
 WIFI CONNECTIVITY (INTERNET ENABLED WIFI NETWORK NEEDED)
 BATTERY BACKUP
 TEMPERATURE ALARM NOTIFICATION VIA EMAIL &/OR EMAIL TO SMS TEXT MESSAGES
 POWER FAILURE NOTIFICATION VIA EMAIL &/OR EMAIL TO SMS TEXT MESSAGES
 (FOR THIS FEATURE TO WORK THE LOCAL WIFI NETWORK MUST BE POWER PROTECTED AND WORKING AT THE TIME OF POWER FAILURE EVENT)
 AUTOMATIC AND ON DEMAND TRANSMISSION OF HACC DATA VIA EMAIL
 ADAPTIVE SETTINGS
 25' AIR TEMPERATURE PROBE
 PANIC ALARM WITH ILLUMINATED PANIC BUTTON, ALARM BUZZER WITH LED, & NOTIFICATION VIA EMAIL &/OR EMAIL TO SMS TEXT MESSAGES
 2 - KASON SCREW-IN VAPOR PROOF LIGHT FIXTURE(S)
 W/8.5 WATT SYLVANIA LED BULB & GLOBE
 1 - KASON #1827 PRESSURE RELIEF VENT (FREEZER ONLY)
 ACCESSORIES: (SHIPPED LOOSE)
 24 - 48" (1810LC) LED LIGHT FIXTURE(S) @ 40W EACH
 ROOF SUPPORT ANGLE W/BEAUTY TRIM
 VISQUEEN PLASTIC SHEETING
 2 LAYERS OF 2 1/2" THICK URETHANE SLAB INSULATION
 SEISMIC RESTRAINTS
 METAL FINISHES: INTERIOR WALLS & CEILING - WHITE 26 GA STUCCO GALVANIZED
 EXPOSED EXTERIOR - WHITE 26 GA STUCCO GALVANIZED
 UNEXPOSED EXTERIOR - 26 GA STUCCO ACRYLUME
 EXTERIOR FLOOR & CEILING - 26 GA STUCCO ACRYLUME
 REFRIGERATION: U.L. LISTED, AIR COOLED, OUTDOORS
 FREEZER CONDENSING UNIT: 1 - STD. PRE-ASSEMBLED REMOTE - HERMETIC SCROLL
 5.00 HP MODEL NO. FFAL-A502-TFC-075 (R-448A)
 EVAPORATOR: 1 - MODEL NO. BELO205B56EE W/E.C. MOTORS & I.R.C.
 COOLER CONDENSING UNIT: 1 - STD. PRE-ASSEMBLED REMOTE - HERMETIC SCROLL
 3.25 HP MODEL NO. FFAP-A322-TFC-075 (R-448A)
 EVAPORATOR: 1 - MODEL NO. BELO205B56AM W/E.C. MOTORS & I.R.C.
 BEER COOLER CONDENSING UNIT: 1 - STD. PRE-ASSEMBLED REMOTE - HERMETIC SCROLL
 2.25 HP MODEL NO. FFAP-A222-TFC-075 (R-448A)
 EVAPORATOR: 1 - MODEL NO. BELO125B56AM W/E.C. MOTORS & I.R.C.
 REFRIGERATION ACCESSORIES: 3 - WINTERIZATION CONTROLS/LASA
 3 - U.L. LISTED COMPRESSOR COVER(S) (HINGED)
 3 - STAND(S) FOR U.L. COVER (18" HIGH)
 NOTE: THE LARGEST ROOF PANEL ON THIS JOB IS 46" x 137.5".
 CUSTOMER IS TO VERIFY THAT THIS PANEL SIZE WILL NOT CONFLICT WITH ANY JOB SITE RESTRICTIONS.
 NOTE: CUSTOMER IS TO VERIFY ALL DIMENSIONS, SECTIONS, DETAILS AND SPECIFICATIONS



SEISMIC LOCK LEGEND

○	TOP LOCKS
---	-----------

SLIDING FREEZER DOOR	
DOOR FRAME KWHr/DAY	8.08
SLIDING COOLER DOOR	
DOOR FRAME KWHr/DAY	0.14

NOTE: MAXIMUM LIGHT CIRCUIT LOAD IS 1200W 120VAC TUNGSTEN, 5A 120VAC ELECTRONIC BALLAST. FOR HIGHER LOADS ADDITIONAL LIGHT FIXTURES MUST BE CONTROLLED VIA RELAY (BY OTHERS).

ELECTRICAL DATA

● = POINT OF ELECTRICAL CONNECTIONS.

FREEZER		
CONDENSING UNIT:	208-230v/60/1φ	24.0/32.6/50.0 (RLA/MCA/MOP)
EVAPORATOR:	208-230v/60/1φ	2.5 / 16.5 AMPS
COOLER		
CONDENSING UNIT:	208-230v/60/3φ	16.3/21.8/30.0 (RLA/MCA/MOP)
EVAPORATOR:	208-230v/60/1φ	2.1 AMPS
BEER COOLER		
CONDENSING UNIT:	208-230v/60/3φ	11.7/16.0/20.0 (RLA/MCA/MOP)
EVAPORATOR:	208-230v/60/1φ	1.1 AMPS
FREEZER SLIDING DOOR TRACK HEATER:	115v/60/1φ	1.4 AMPS
WALK-IN DOORS:	115v/1φ	350w*

FREEZER DOOR	
DOOR FRAME KWHr/DAY	2.04
CONDENSING UNIT AWEF VALUE	3.15
EVAP AWEF VALUE	1.10

COOLER DOOR	
DOOR FRAME KWHr/DAY	0.312
CONDENSING UNIT AWEF VALUE	7.60
EVAP AWEF VALUE	9.00

BEER COOLER DOOR	
DOOR FRAME KWHr/DAY	0.312
CONDENSING UNIT AWEF VALUE	7.60
EVAP AWEF VALUE	9.00

*NOTE: ADD WATTAGE FOR EACH ADDITIONAL LIGHT FIXTURE IN ACCESSORIES.

SYSTEM CONTROLLER WILL BE COVERED WHEN THE SLIDING DOOR IS IN THE OPEN POSITION

WALK-IN PANEL		
R-8967		
BUILDING UNITS	R-8967	37M2
USA		
SURFACE BURNING CHARACTERISTICS		
MATERIAL DETAILS	"FLAME SPREAD"	"SMOKE DEVELOPED"
ALUMINUM PANELS, PAINTED OR UNPAINTED, 5" OR LESS	15	350
GALVANIZED STEEL OR STAINLESS STEEL PANELS, PAINTED OR UNPAINTED, 5" OR LESS	10	400 TO 500
CORE MATERIAL, 6" THICK	20	250

AMERICAN PANEL WALK-IN COOLERS AND FREEZERS COMPLY WITH THE 2021 INTERNATIONAL ENERGY CONSERVATION CODE (IECC), SECTION C403.11

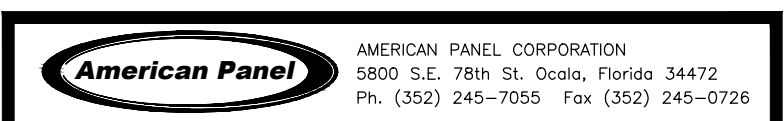
THIS AMERICAN PANEL WALK-IN WILL BE MANUFACTURED TO UL & NSF REQUIREMENTS. AMERICAN PANEL ACCEPTS NO LIABILITY FOR LOCAL CODE REQUIREMENTS OF WHICH AMERICAN PANEL HAS NOT BEEN MADE AWARE OF IN WRITING PRIOR TO FABRICATION.

WALK-IN IS IN COMPLIANCE WITH 2021 WASHINGTON STATE ENERGY CODE, SECTION C410.2

HINGED DOORS TO INCLUDE DOOR CLOSER, STRIP CURTAINS, AND A PRE-SET ANTI-SWEAT DOOR FRAME HEATER WIRE TRIPLE-PANE GLASS WINDOWS SPRING-LOADED HINGES, 42" WIDE DOORS & BELOW / SPRING ACTION HEAVY DUTY DOOR CLOSER, DOORS WIDER THAN 42"

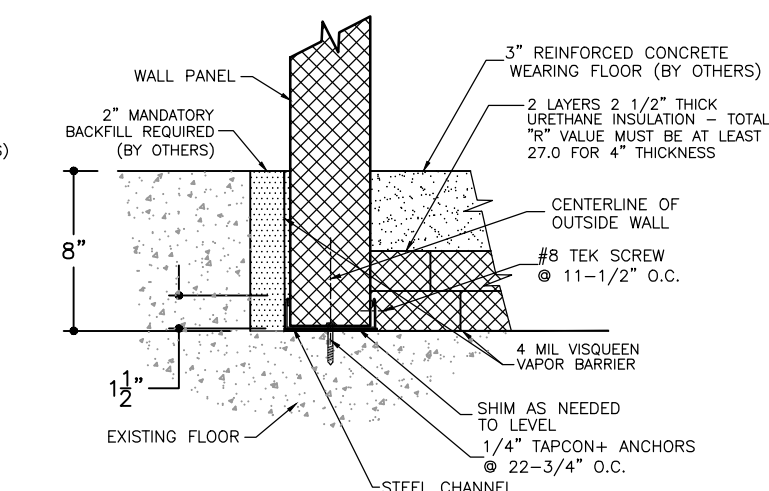
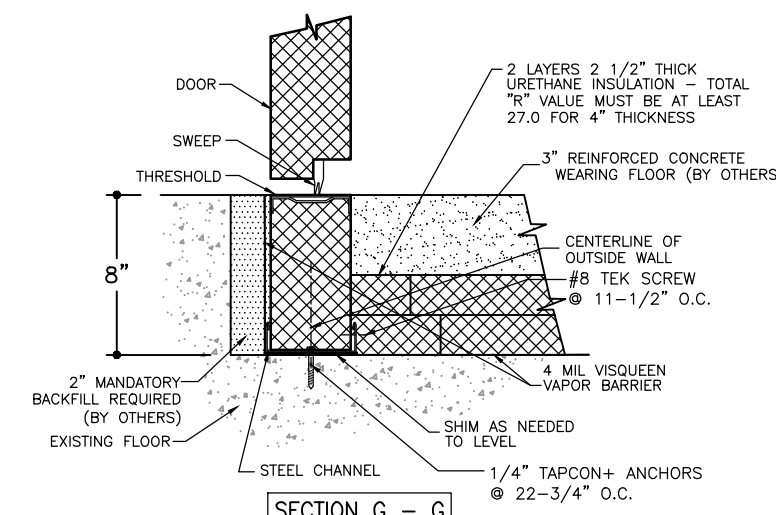
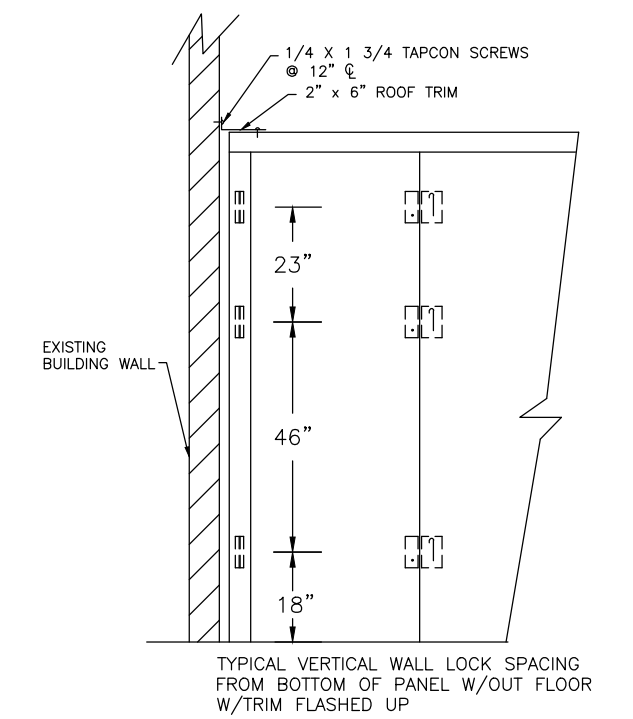
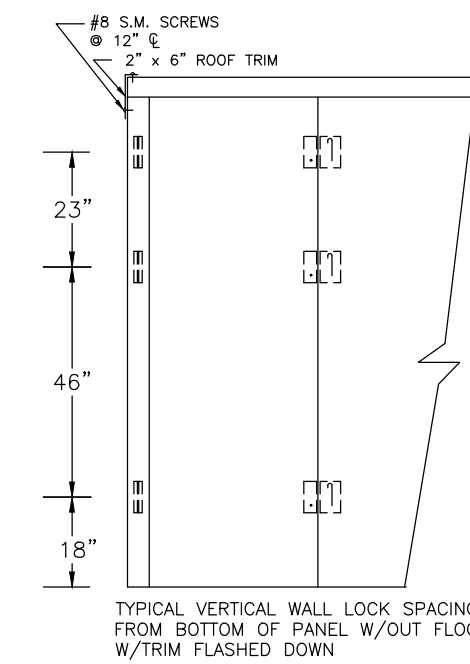
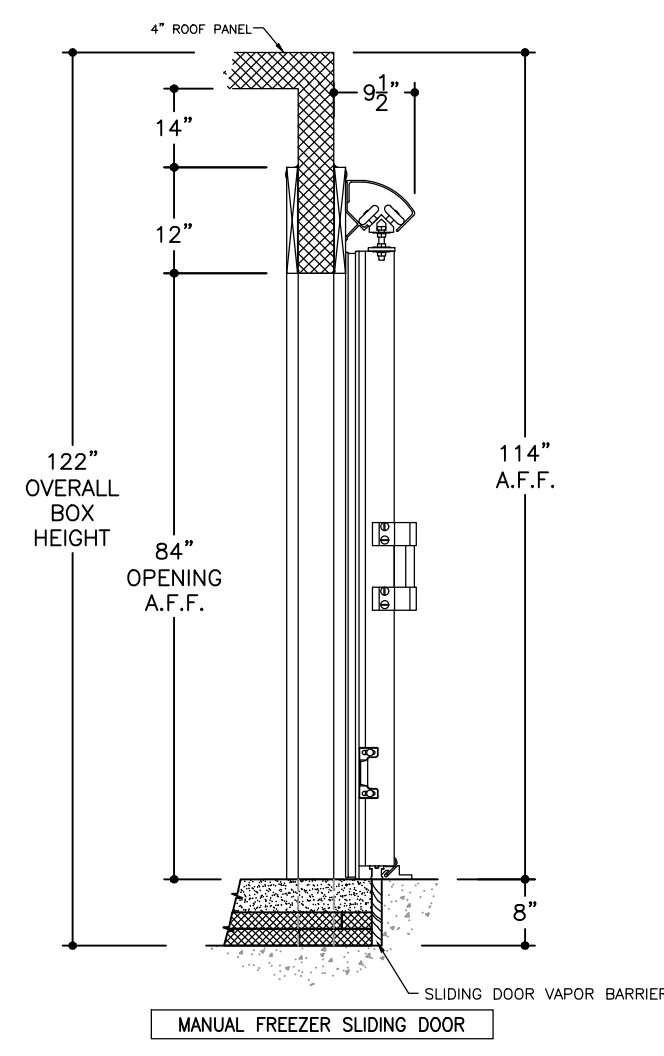
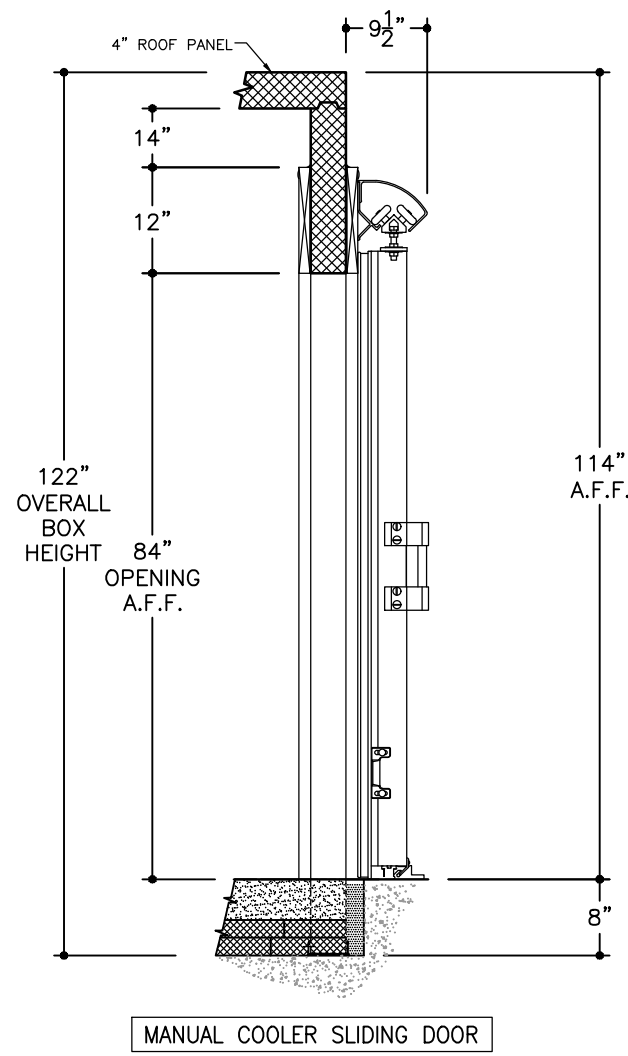
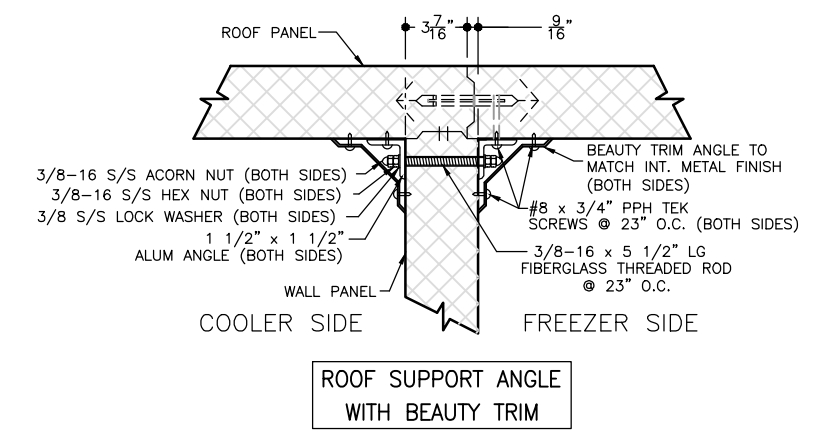
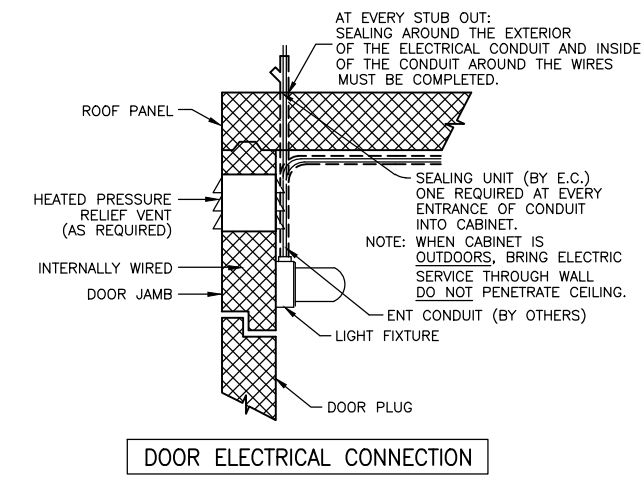
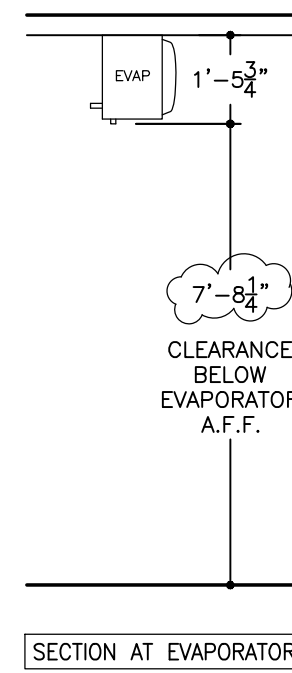
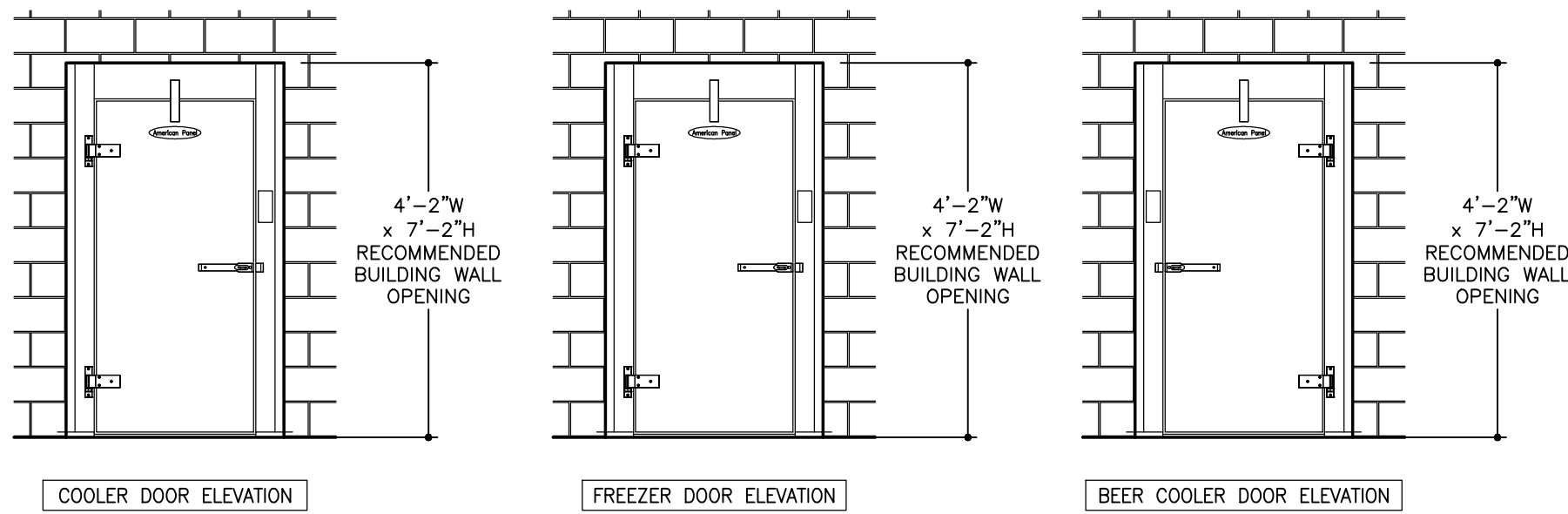
INSULATION R-VALUES		
PANEL TYPE	COOLER	FREEZER
4" WALLS, ROOFS	R-29	R-32
5" WALLS, ROOFS	R-36	R-40
FLOORS	R-25	R-28
DOORS	R-32	

APPROVED
 APPROVED AS NOTED
 REVISE & RESUBMIT
 SIGNATURE _____
 PRINT NAME _____
 DATE _____



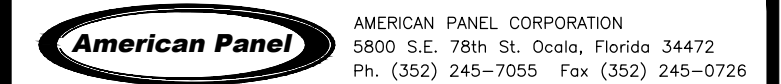
- 1) Please verify that door swing and location are correct.
- 2) If this walk-in is to be installed in a depression, or quarry tile is to be applied to the interior, depression depths or tile thickness must be specified to insure proper door height.
- 3) All site preparation, floor or slab construction, plumbing, electrical connections (including control wiring) by others.
- 4) Electrical: 115-60-1 required above latch side of each door, through ceiling, to operate frame heater and light.
- 5) Special note to General Contractor and his Sub Contractor for quarry tile or concrete wearing floors: the sheet metal panel facings may be susceptible to staining due to excessive moisture created by hydration of concrete type materials. Therefore, it is absolutely necessary that each room be properly ventilated. Also note that special precautions must be taken when using muriatic acid due to effects hydrochloric acid fumes have on aluminum and stainless steel.
- 6) This drawing and information contained herein are the exclusive property of American Panel Corporation. It shall be returned to American Panel Corporation upon demand and shall not be reproduced in whole or part, disclosed to anyone else, or used without the written consent of American Panel Corporation.

CUSTOMER: SCHULZ ASSOCIATES
 PROJECT: INTERNATIONAL VILLAGE PUYALLUP FAIRGROUNDS - TACOMA, WA
 DATE: 9/19/24 DRAWN BY: GJ/MEM P.O.#:
 SCALE: 5/16" = 1'-0" PROPOSAL#: PD212621 JOB#: SHEET 1 of 3



To prevent metal corrosion, doors must be kept open and air circulating during application and curing of all flooring materials including concrete, grout, epoxy, etc.

APPROVED
 APPROVED AS NOTED
 REVISE & RESUBMIT
 SIGNATURE _____
 PRINT NAME _____
 DATE _____



CUSTOMER: SCHULZ ASSOCIATES			
PROJECT: INTERNATIONAL VILLAGE PUYALLUP FAIRGROUNDS - TACOMA, WA			
DATE: 9/19/24	DRAWN BY: GJ/MEM	P.O.#:	
SCALE: 5/16" = 1'-0"	PROPOSAL#: PD212621	JOB#:	SHEET 2 of 3

1) Please verify that door swing and location are correct.

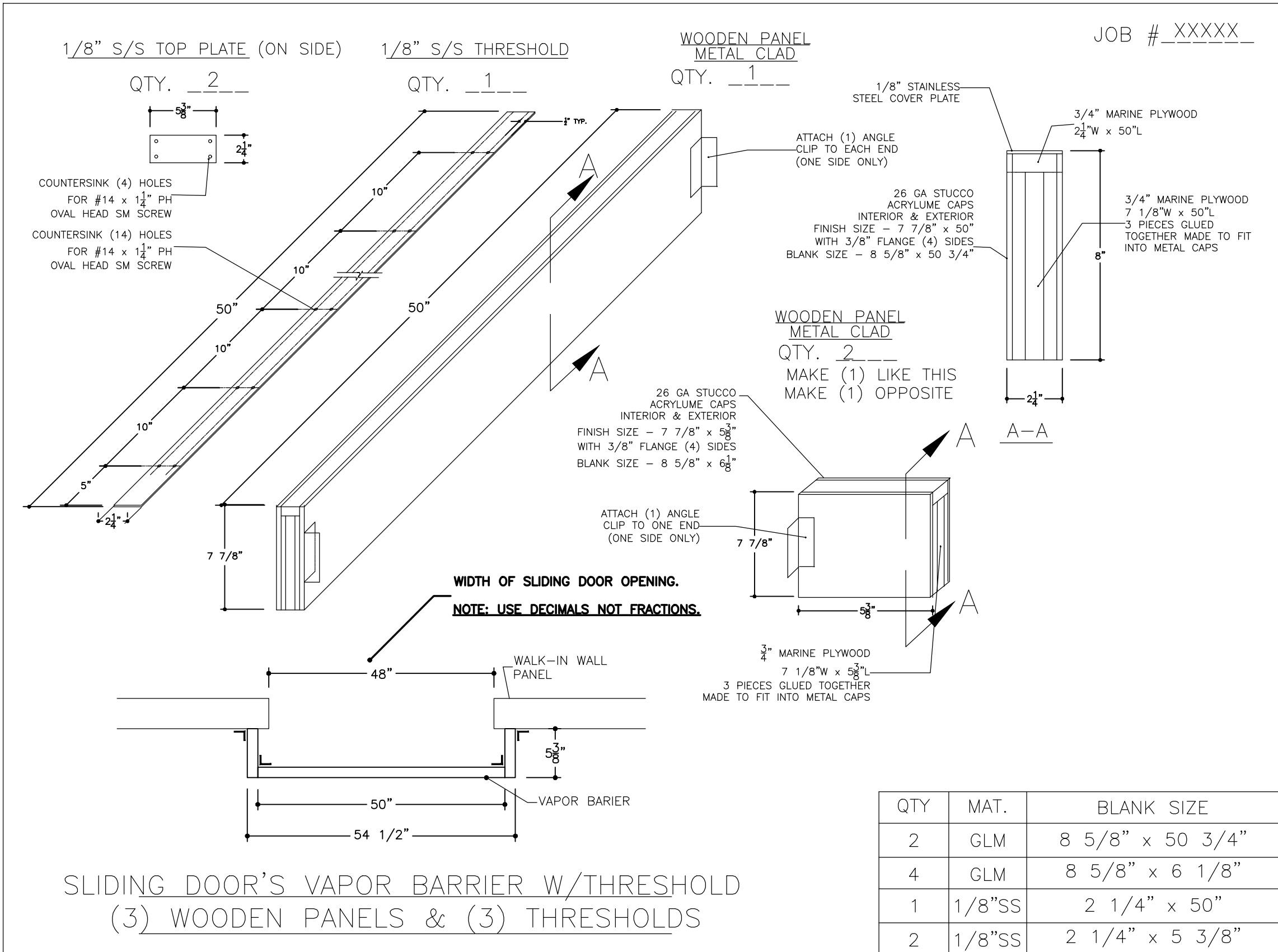
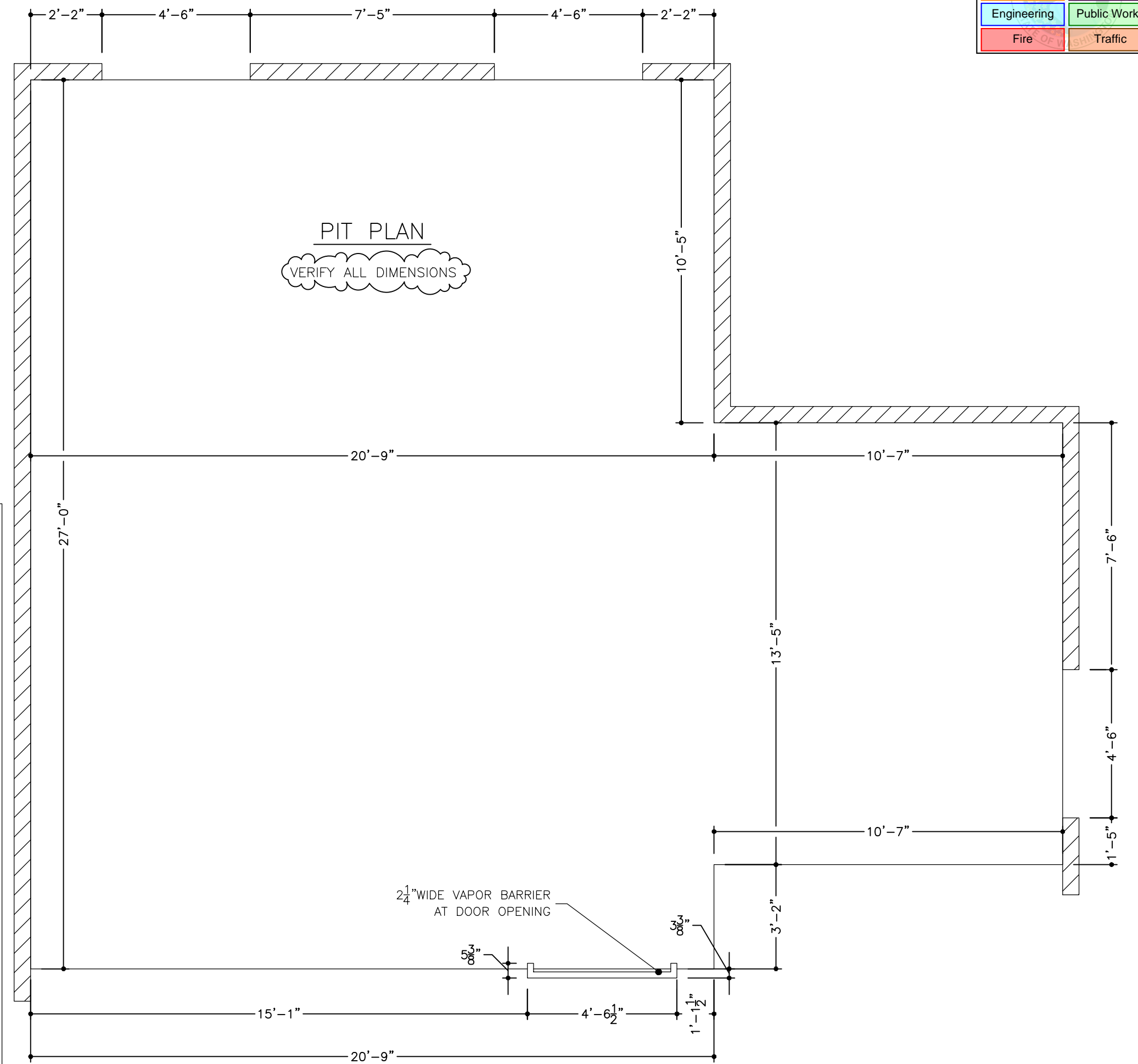
3) All site preparation, floor or slab construction, plumbing, electrical connections (including control wiring) by others.

2) If this walk-in is to be installed in a depression, or quarry tile is to be applied to the interior, depression depths or tile thickness must be specified to insure proper door height.

4) Electrical: 115-60-1 required above latch side of each door, through ceiling, to operate frame heater and light.

5) Special note to General Contractor and his Sub Contractor for quarry tile or concrete wearing floors: the sheet metal panel facings may be susceptible to staining due to excessive moisture created by hydration of concrete type materials. Therefore, it is absolutely necessary that each room be properly ventilated. Also note that special precautions must be taken when using muriatic acid due to effects hydrochloric acid fumes have on aluminum and stainless steel.

6) This drawing and information contained herein are the exclusive property of American Panel Corporation. It shall be returned to American Panel Corporation upon demand and shall not be reproduced in whole or part, disclosed to anyone else, or used without the written consent of American Panel Corporation.



PIT PLAN
VERIFY ALL DIMENSIONS

JOB # XXXXX

APPROVED
 APPROVED AS NOTED
 REVISE & RESUBMIT
SIGNATURE _____
PRINT NAME _____
DATE _____

American Panel		AMERICAN PANEL CORPORATION 5800 S.E. 78th St. Ocala, Florida 34472 Ph. (352) 245-7055 Fax (352) 245-0726	
CUSTOMER: SCHULZ ASSOCIATES			
PROJECT: INTERNATIONAL VILLAGE PUYALLUP FAIRGROUNDS - TACOMA, WA			
DATE: 9/19/24	DRAWN BY: GJ/MEM	P.O.#:	
SCALE: 5/16"=1'-0"	PROPOSAL#: PD212621	JOB#:	SHEET 3 of 3

- Please verify that door swing and location are correct.
- If this walk-in is to be installed in a depression, or quarry tile is to be applied to the interior, depression depths or tile thickness must be specified to insure proper door height.
- All site preparation, floor or slab construction, plumbing, electrical connections (including control wiring) by others.
- Electrical: 115-60-1 required above latch side of each door, through ceiling, to operate frame heater and light.
- Special note to General Contractor and his Sub Contractor for quarry tile or concrete wearing floors: the sheet metal panel facings may be susceptible to staining due to excessive moisture created by hydration of concrete type materials. Therefore, it is absolutely necessary that each room be properly ventilated. Also note that special precautions must be taken when using muriatic acid due to effects hydrochloric acid fumes have on aluminum and stainless steel.
- This drawing and information contained herein are the exclusive property of American Panel Corporation. It shall be returned to American Panel Corporation upon demand and shall not be reproduced in whole or part, disclosed to anyone else, or used without the written consent of American Panel Corporation.