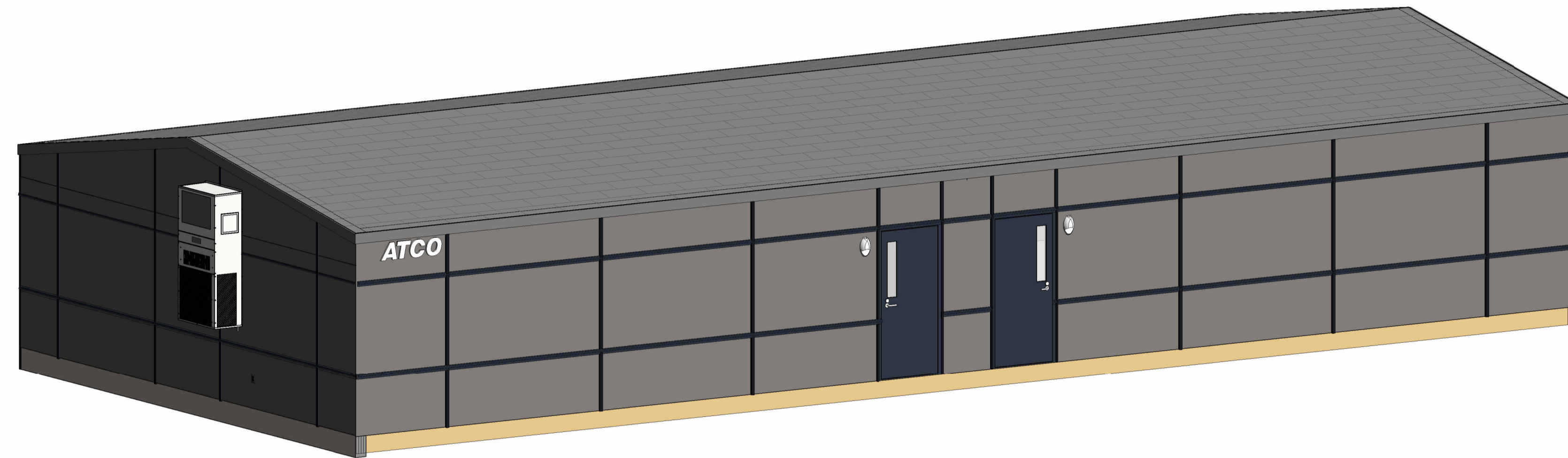


ATCO

ATCO STRUCTURES AND LOGISTICS

28x64 CLASSROOM

9611 SE 36th St, Mercer Island, WA 98040



By Yuri at 11:21:16 AM, 6/5/2024

BUILDING SPECIFICATION

FLOOR:
 UNDER CLOSURE: 3/8" PRESSURE TREATED PLYWOOD
 INSULATION: R-31 UNFACED
 JOISTS: 2X10 SPF #2 @ 16" O.C. WITH HANGERS ON EACH END OF THE
 PERIMETER RIMS: (3) 2X10 SPF #2
 MOD LINE RIMS: (3) 2X10 SPF #2
 DECKING: (2) 3/4" T & G PLYWOOD - GLUED AND NAILED
 COVERING: 2 MM COMMERCIAL VINYL SHEET FLOORING W/4" RUBBER BASE

EXTERIOR WALL:
 STUDS: 2X6 SPF STD GRADE @ 16" O.C. DOUBLE 2x6 TOP PLATE
 COVERING: TYPE X - 5/8" VINYL COVERED GYPSUM, VAPOR RETARDER
 TRIM: VINYL COVERED CORNERS AND BATTENS AT MOD LINE
 1" VINYL COVERED BATTENS ABOVE DOORS & ABOVE/BELOW

WINDOWS: R-24 UNFACED
 INSULATION: 1/2" CDX PLYWOOD
 SHEATHING: COMMERCIAL TYVEK OR EQUAL, AIR BARRIER
 BUILDING WRAP: 3/8" PRESSURE TREATED PLYWOOD STRIPS
 RAIN SCREEN: HARDIE PANEL WITH 28 GAUGE FLASHING/TRIMS
 SIDING: 28 G @ CORNERS, WINDOWS, DOORS & MOD LINE
 TRIM: HARDIE PANEL SIDING

INTERIOR WALL:
 STUDS: 2X4 SPF STD GRADE @ 16" O.C. STAGGERED ON 2x6 TOP &
 BOTTOM PLATES,

COVERING: FULL HEIGHT TO BOTTOM OF RAFTERS
 TRIM: 5/8" TYPE-X VC GYPSUM BOARD
 INSULATION: VINYL COVERED CORNERS AND BATTENS AT MOD LINE
 PLENUM WALLS: R-12 UNFACED AT CROSSWALL TO BOTTOM OF RAFTERS
 SOUND REDUCTION ASSEMBLY

ROOF/CEILING:
 FRAMING: 2 X 12 RAFTERS WITH 2X4 INSULATION FURRING BELOW @ 24" O.C.
 SLOPE: 2/12

RIDGEBEAM: 3 1/2" x 21" GLULAM BEAM
 POSTS: STEEL POST BUILT INTO CROSSWALL
 CEILING: 2'X4' SUSPENDED CEILING WITH RADAR 2310 TILE
 CEILING HEIGHT: 8'-0" ABOVE FINISH FLOOR
 INSULATION: R-52 TOTAL - R-40 AND R-12 FIBERGLASS BATTS WITH INSULATION
 NET

SHEATHING: 1/2" FIRE RATED PLYWOOD
 ROOFING: ARCHITECTURAL SHINGLES OVER ICE AND WATER
 SHIELD - HIGH WIND APPLICATION

OVERHANG: NONE
 FASCIA: 28 GA PREFINISHED STEEL
 VENTING: NOT APPLICABLE
 GUTTERS/D.S.: ALUMINUM GUTTERS AND (4) PAINTED 2" PVC DOWNSPOUTS
 SITE INSTALLED

DOORS:
 EXTERIOR DOOR: (2) 3.0 x 6.8 20 GA STEEL INSULATED FLUSH DOOR
 18 GA EXPANDABLE FRAME, EXT. LITE
 PANIC WITH LEVER TRIM - CYLINDER
 STAINLESS STEEL BALL BEARING - NRP HINGES
 ADA THRESHOLD, WEATHERSTRIP AND SWEEP

WINDOWS:
 TYPE: HORIZONTAL SLIDER WITH SCREEN
 SIZE: (4) 4' X 4'
 MOUNTING HEIGHT: TOP OF ROUGH OPENING TO MATCH DOOR OPENING
 FRAME: WHITE VINYL PVC
 GLAZING: DUAL GLAZED - LOW-E - ARGON - DP 45
 INTERIOR TRIM: PVC JAMB EXTENSIONS & 2-1/4" PRE-PAINTED MDF CASING
 BLINDS: 1" CORDLESS HORIZONTAL MINI BLINDS

ELECTRICAL:
 BUILDING SERVICE: PANEL STUBBED TO BELOW FLOOR
 LOADCENTER: 120/240 VOLT - 200 AMP- SINGLE PHASE - INTERIOR MOUNTED
 WIRING: MC CABLE OR CONDUIT WITH REDUNDANT GROUND (PER N.E.C.)
 (18) 2'X4' LED LAY-IN FIXTURE - COOPER - 24CGTS-L3C3
 (4) AIMLITE W3il LED LIGHTS ON REMOTE PHOTO CELL
 (16) 20 AMP DUPLEX 125 VOLT - WALL MOUNT
 (2) 20 AMP DUPLEX 125 VOLT - CEILING MOUNT
 (2) 20 AMP WP GFCI DUPLEX 125 VOLT
 HALF OF ALL RECEPTACLES TO BE OCCUPANCY SENSOR
 CONTROLLED
 AS REQUIRED PER CURRENT ENERGY CODE
 OCCUPANCY, RECEPTACLE & DAYLIGHT CONTROLS PER ENERGY
 CODE
 (8) 4" SQUARE J-BOX WITH 3/4" FLEX CONDUIT STUBBED TO ABOVE
 AND BELOW FLOOR - CABLE AND DEVICES BY OTHERS
 (7) 4" SQUARE J-BOX WITH 1/2" FLEX CONDUIT STUBBED TO ABOVE
 AND BELOW FLOOR FOR MANUAL PULL STATION AND ANNUNCIATOR
 (HORN/STROBE) WERE PROVIDED - CABLE AND DEVICES BY OTHERS

INTERIOR LIGHTS:
 EXTERIOR LIGHT:
 RECEPTACLES:

NOTE:
 SWITCHES:
 CONTROLS:

VOICE/DATA:
 FIRE ALARM:

H.V.A.C.:
 HEAT/COOL: BARD WALL HUNG HEAT PUMP - 11 EER
 HEAT PUMP SIZE: (2) BARD W36HY-A10RP4XXR (3 TON / 10 KW)
 VENTILATION: ENERGY RECOVERY VENTILATOR
 CONTROLS: (2) 8403-060 PROGRAMMABLE THERMOSTAT - HONEYWELL
 THERMOSTATS WIRED TO CONTROL SWITCH AT DOORS FOR
 AUTOMATIC SHUT-OFF AFTER 5 MINUTES OF DOORS STANDING OPEN
 1" RIGID DUCT BOARD
 SUPPLY DUCT: 10"X24"X24" LAY-IN WITH NO DAMPERS
 SUPPLY DIFFUSERS: THROUGH GRILLES IN PLENUM WALL DOWN LOW
 RETURN AIR:

M-MISCELLANEOUS:
 UNIT LABELS:
 DATA PLATES AND LABELS LOCATED ABOVE SUSPENDED CEILING
 ABOVE ELECTRICAL PANELS

SEALED DRAWINGS: REGISTERED ENGINEER OR ARCHITECT
MODEL APPROVAL: THIRD PARTY OR WASHINGTON STATE L&I

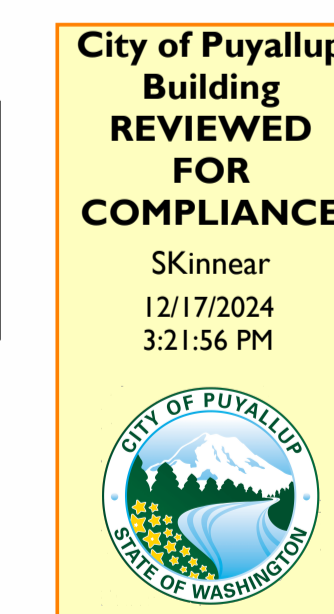
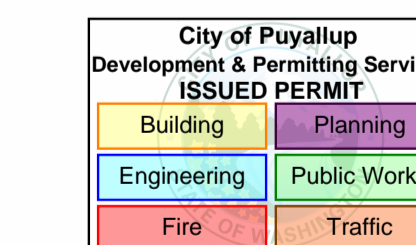
OVERALL LIST - SERIAL NUMBERS

UNIT NUMBER	CANADA SERIAL NUMBER	US SERIAL NUMBER
101 (1 of 10)	864245199	4642414566
102 (2 of 10)	864245200	4642414567
101 (3 of 10)	864245201	4642414568
102 (4 of 10)	864245202	4642414569
101 (5 of 10)	864245203	4642414570
102 (6 of 10)	864245204	4642414571
101 (7 of 10)	864245205	4642414572
102 (8 of 10)	864245206	4642414573
101 (9 of 10)	864245207	4642414574
102 (10 of 10)	864245208	4642414575

The approved construction plans, documents, and all engineering must be posted on the job at all inspections in a visible and readily accessible location.

Full sized legible color plans are required to be provided by the permittee on site for inspection.

Approval of submitted plans is not an approval of omissions or oversights by this office or non compliance with any applicable regulations of local government. The contractor is responsible for making sure that the building complies with all applicable codes and regulations of the local government.



SHEET LIST	
SHEET NUMBER	SHEET NAME
AM001	ARCHITECTURAL DRAWING LIST & GENERAL INFORMATION
AM002	GENERAL NOTES/CODE SUMMARY
AM101	OVERALL FLOOR PLAN - LEVEL 1
AM141	OVERALL REFLECTED CEILING PLAN
AM200	OVERALL BUILDING ELEVATIONS
AM210	OVERALL BUILDING SECTIONS
EM001	ELECTRICAL DRAWINGS LIST & GENERAL INFORMATION
EM002	SYMBOLS LEGEND & GENERAL NOTES
EM101	OVERALL POWER & DATA PLAN - LEVEL 1
EM201	OVERALL LIGHTING PLAN - LEVEL 1
EM301	OVERALL FIRE ALARM PLAN - LEVEL 1
EM600	PANEL SCHEDULES
MM101	OVERALL HVAC PLAN
SC100	FOUNDATION / CRAWLSPACE PLAN
SM101	FLOOR & ROOF FRAMING PLAN
SM102	STRUCTURAL FOUNDATION DETAILS
Grand total: 16	

GENERAL SPECIFICATION NOTES

- THIS BUILDING SHALL BE LOCATED MORE THAN 30 FEET AWAY FROM ANY PROPERTY LINE OR ANY INTERIOR LOT LINE BETWEEN IT AND ANY OTHER BUILDING.
- THIS BUILDING IS NOT TO BE LOCATED IN A FLOOD PRONE AREA.
- ATCO IS NOT RESPONSIBLE FOR THE LOCAL BUILDING CODE REQUIREMENTS OVER AND ABOVE THE ENCLOSED SPECIFICATIONS. THE SPECIFICATIONS ARE BASED ON THE DESIGN PARAMETERS OF THE CODES LISTED ON THIS SHEET.
- DRINKING FOUNTAINS AND SERVICE SINKS SHALL BE PROVIDED AND INSTALLED BY OTHERS ON SITE. BOTTLED WATER MAY BE PROVIDED IN LIEU OF A DRINKING FOUNTAIN.
- ADDITIONAL RESTROOM AND HANDICAPPED RESTROOM FACILITIES MUST BE READILY ACCESSIBLE AND WITHIN 300' OF THIS BUILDING ON THE SITE. BUILDING OFFICIAL TO VERIFY EXISTING FACILITIES.
- DUPLICATES OF THIS BUILDING CAN BE BUILT AS A MIRROR IMAGE.
- THIS BUILDING DOES NOT HAVE FIRE-RATED EXTERIOR WALLS.
- OCCUPANT LOAD PER CLASSROOM OF 50 PEOPLE OR LESS ARE PERMITTED WITHOUT AUTOMATIC SPRINKLERS SYSTEM, PROVIDED AGGREGATED CLUSTER OF PORTABLE CLASSROOMS DOES NOT EXCEED 6000 sqft, WITH PROPER SPATIAL SEPARATION IN ACCORDANCE WITH THE BUILDING CODE (903.2.3 GROUP E- EXCEPTIONS)
- CENTRALIZED JANITORIAL SERVICES, SO NO MOP SINK REQUIRED.
- THIS BUILDING SHALL NOT BE LOCATED IN AREAS WITH SNOW, WIND, AND/OR SEISMIC LOADS IN EXCESS OF THOSE NOTED IN THE BUILDING DESIGN LOADS.

BUILDING DESIGN PARAMETERS

- | | |
|---|---|
| 1. USE/OCCUPANCY: | E (EDUCATIONAL) |
| | AGES: 5+ |
| 2. CONSTRUCTION TYPE: | V-B (UNSPRINKLD) |
| 3. SPRINKLER SYSTEM: | NO |
| 4. FIRE ALARM SYSTEM: | YES (SITE INSTALLED) |
| 5. BUILDING AREA: | 1771 S.F. |
| 6. BUILDING HEIGHT: | ≤ 15 FEET |
| 7. NUMBER OF STORIES: | 1 |
| 8. NUMBER OF MODULES: | 2 |
| 9. OCCUPANT LOAD: | MAX . 25 PER CLASSROOM (IBC 1004.5 - EXCEPTION)
BASED ON 450 CFM MAX AHU CAPACITY. |
| 10. EXTERIOR WALL FIRE RATING: | NOT RATED |
| 11. THIS BUILDING MUST BE INSTALLED WITH THE FIRE SEPERATION DISTANCES AS REQUIRED BY IBC TABLE 602 AND SECTION 704.3 | |
| 12. ENGERGY CODE COMPLIANCE: | SEE ATTACHED ENERGY CALCS |
| 13. MANUFACTURER'S DATA PLATE AND STATE LABELS ARE TO BE LOCATED ABOVE TO THE ELECTRICAL PANEL. | |

FACTORY ADDRESS: 115 PEACEKEEPER DR SW, CALGARY, ALBERTA, T3E 7X4
 FACTORY CONTACT: OWAIS KHAN E. owais.khan@atco.com T. 403.801.2796

DESIGN PROFESSIONAL (STRUCTURAL) : YURI YURIANTO E. yurianto@modularconsultant.com
 DESIGN PROFESSIONAL (ELECTRICAL) : KENNETH D GILBERT E. ken@17Engineering.com

PRPF20241231

GENERAL NOTES:

- ACCESS TO BUILDING FOR PERSONS IN WHEELCHAIRS IS DESIGNED BY AND FIELD BUILT BY OTHERS AND SUBJECT TO LOCAL JURISDICTION. AT LEAST 60% OF PUBLIC ENTRANCES (INCLUDING PRIMARY ENTRANCE) AND ALL REQUIRED EXITS MUST BE ACCESSIBLE.
- ALL DOORS SHALL BE OPENABLE FROM THE EGRESS SIDE WITHOUT THE USE OF A KEY, TOOL, SPECIAL KNOWLEDGE OR EFFORT. MANUALLY OPERATED FLUSH BOLTS OR SURFACE BOLTS SHALL NOT BE USED.
- ALL GLAZING WITHIN A 24 INCH ARC OF DOORS, WHOSE BOTTOM EDGE IS LESS THAN 60 INCHES ABOVE THE FLOOR, AND ALL GLAZING IN DOORS SHALL BE SAFETY, TEMPERED OR ACRYLIC PLASTIC SHEET.
- ALL STEEL STRAPS REFERENCED ON FLOOR PLAN SHALL BE 1.5 INCH x 26 GA. w/(8) 15 GA. x 7/16 INCH CROWN x 1 1/2 INCH STAPLES WITH A MINIMUM OF 1" PENETRATION EACH END OF STRAP OR EQUIVALENT FROM RIDGE BEAM TO COLUMN, AND COLUMN TO FLOOR.
- MINIMUM CORRIDOR WIDTH IS 44 INCHES (IF APPLICABLE).
- MINIMUM CORRIDOR FINISH IS CLASS B (GYPSUM) (IF APPLICABLE)..
- PORTABLE FIRE EXTINGUISHER PER N.F.P.A. - 101 INSTALLED BY OTHERS ON SITE, AND SUBJECT TO LOCAL JURISDICTION AND APPROVAL.
- THIS BUILDING HAS NOT BEEN DESIGNED FOR COASTAL HAZARD AREAS, OCEAN HAZARD OR REGULATORY FLOOD PLAIN AREAS.
- ALL INTERIOR WALL AND CEILING FINISHES SHALL BE CLASS 'B' OR BETTER IN CORRIDORS
- ALL INTERIOR WALL AND CEILING FINISHES SHALL BE CLASS 'C' OR BETTER IN ROOMS AND ENCLOSED SPACES.
- ALL INTERIOR ENCLOSED AREAS OF PLENUM WALL FINISHES SHALL BE CLASS 'A' OR BETTER.
- CARPET SHALL BE CLASS II OR BETTER.
- ACCESSIBLE PLUMBING FACILITIES MUST BE AVAILABLE IN ADJACENT BUILDING ON THE SAME SITE.

ELECTRICAL NOTES:

- ALL CIRCUITS AND EQUIPMENT SHALL BE GROUNDED IN ACCORDANCE WITH THE APPROPRIATE ARTICLES OF THE NATIONAL ELECTRICAL CODE (NEC).
- WHEN LIGHT FIXTURES ARE INSTALLED IN CLOSETS THEY SHALL BE SURFACE MOUNTED OR RECESSED. INCANDESCENT FIXTURES SHALL HAVE COMPLETELY ENCLOSED LAMPS. SURFACE MOUNTED INCANDESCENT FIXTURES SHALL HAVE A MINIMUM CLEARANCE OF 12 INCHES AND ALL OTHER FIXTURES SHALL HAVE A MINIMUM CLEARANCE OF 6 INCHES FROM "STORAGE AREA" AS DEFINED BY NEC 410.8(a).
- WHEN WATER HEATERS ARE INSTALLED THEY SHALL BE PROVIDED WITH READILY ACCESSIBLE DISCONNECTS ADJACENT TO THE WATER HEATERS SERVED. THE BRANCH CIRCUIT SWITCH OR CIRCUIT BREAKER SHALL BE PERMITTED TO SERVE AS THE DISCONNECTING MEANS ONLY WHERE THE SWITCH OR CIRCUIT BREAKER IS WITHIN SIGHT FROM THE WATER HEATER OR IS CAPABLE OF BEING LOCKED IN THE OPEN POSITION.
- HVAC EQUIPMENT SHALL BE PROVIDED WITH READILY ACCESSIBLE DISCONNECTS ADJACENT TO THE EQUIPMENT SERVED. A UNIT SWITCH WITH A MARKED "OFF" POSITION THAT IS A PART OF THE HVAC EQUIPMENT AND DISCONNECTS ALL UNGROUNDED CONDUCTORS SHALL BE PERMITTED AS THE DISCONNECTING MEANS WHERE OTHER DISCONNECTING MEANS ARE ALSO PROVIDED BY A READILY ACCESSIBLE CIRCUIT BREAKER.
- PRIOR TO ENERGIZING THE ELECTRICAL SYSTEM THE INTERRUPTING RATING OF THE MAIN BREAKER MUST BE DESIGNED AND VERIFIED AS BEING IN COMPLIANCE WITH SECTION 110.9 OF THE NEC BY LOCAL ELECTRICAL CONSULTANT.
- THE MAIN ELECTRICAL PANEL AND FEEDERS ARE DESIGNED BY OTHERS, SITE INSTALLED AND SUBJECT TO LOCAL JURISDICTION APPROVAL.
- ALL CIRCUITS CROSSING OVER MODULE MATING LINE(S) SHALL BE SITE CONNECTED WITH APPROVED ACCESSIBLE JUNCTION BOXES OR CABLE CONNECTORS.
- REFERENCE STATE APPROVED PACKAGE FOR ELECTRICAL RISER DIAGRAM.
- EXTERIOR LIGHTS ARE NOT INTENDED FOR 24 HOUR USE AND SHALL BE CONNECTED TO A PHOTOCCELL OR TIMER.
- ALL RECP TACLES INSTALLED IN WET LOCATIONS (EXTERIOR) SHALL BE IN WEATHER PROOF (W.P.) ENCLOSURES. THE RECP ITSELF SHALL ALSO BE LISTED FOR DAMP OR WET AREAS AS PER NEC. THE INTEGRITY OF WHICH IS NOT AFFECTED WHEN AN ATTACHMENT PLUG CAP IS INSERTED OR REMOVED.
- PROVISIONS FOR EXIT DISCHARGE LIGHTING (INCLUDING EMERGENCY) ARE THE RESPONSIBILITY OF THE BUILDING OWNER AND SUBJECT TO LOCAL JURISDICTION APPROVAL WHEN NOT SHOWN ON FLOOR PLAN.
- EMERGENCY LIGHTING SHALL BE CAPABLE OF PROVIDING INTIAL ILLUMINATION THAT IS AT LEAST AN AVERAGE OF 1 FOOT-CANDLE (fc) AND A MINIMUM OF 0.1fc MEASURED ALONG THE PATH OF EGRESS AT THE FLOOR LEVEL. ILLUMINATION LEVELS SHALL BE PERMITTED TO DECLINE TO 0.6fc AVERAGE AND A MINIMUM AT ANY POINT OF 0.06fc AT THE END OF THE EMERGENCY LIGHT TIM DURATION. A MAXIMUM-TO-MINIMUM ILLUMINATION UNIFORMITY RATIO OF 40 TO 1 SHALL NOT BE EXCEEDED. THE EMERGENCY POWER SYSTEM SHALL PROVIDE POWER FOR A DURATION OF NOT LESS THAN 90 MINUTES.

PLUMBING NOTES:

- THE USE OF THIS BUILDING WITHOUT THE REQUIRED NUMBER OF PLUMBING FACILITIES IS SUBJECT TO THE REVIEW AND APPROVAL OF THE LOCAL JURISDICTION HAVING AUTHORITY.

ACCESSIBILITY NOTES:

- THE INTERNATIONAL SYMBOL OF ACCESSIBILITY SIGN SHALL BE DISPLAYED AT ALL ACCESSIBLE RESTROOM FACILITIES AND AT ACCESSIBLE BUILDING ENTRANCES UNLESS ALL ENTRANCES ARE ACCESSIBLE. INACCESSIBLE ENTRANCES SHALL HAVE DIRECTIONAL SIGNS INDICATING THE ROUTE TO THE NEAREST ACCESSIBLE ENTRANCE.
- WHERE STORAGE FACILITIES SUCH AS CABINETS, SHELVES, CLOSETS, AND DRAWERS ARE PROVIDED AT LEAST ONE OF EACH TYPE PROVIDED SHALL CONTAIN STORAGE SPACE COMPLYING WITH THE FOLLOWING: DOORS, ETC. TO SUCH SPACES SHALL BE ACCESSIBLE (ie. TOUCH LATCHES, U-SHAPED PULLS); SPACES SHALL BE WITHIN 15 INCHES MINIMUM AND 48 INCHES MAXIMUM OF THE FLOOR FOR FORWARD REACH OR 9 INCHES MINIMUM AND 54 INCHES MAXIMUM, OF THE FLOOR FOR SIDE REACH; CLOTHES RODS SHALL BE A MAXIMUM OF 54 INCHES ABOVE THE FLOOR (48 INCHES MAXIMUM WHEN DISTANCE FROM WHEELCHAIR TO ROD EXCEEDS 10 INCHES).
- CONTROLS, DISPENSERS, RECEPTACLES AND OTHER OPERABLE EQUIPMENT SHALL BE NO HIGHER THAN 45 INCHES ABOVE THE FLOOR FOR FRONT APPROACH OR 54 INCHES ABOVE THE FLOOR FOR SIDE APPROACH. RECEPTACLES ON WALLS SHALL BE MOUNTED NO LESS THAN 15 INCHES ABOVE THE FLOOR. EXCEPTION: HEIGHT LIMITATIONS DO NOT APPLY WHERE THE USE OF SPECIAL EQUIPMENT DICTATES OTHERWISE OR WHERE ELECTRICAL RECEPTACLES ARE NOT NORMALLY INTENDED FOR USE BY BUILDING OCCUPANTS.
- WHERE EMERGENCY WARNING SYSTEMS ARE PROVIDED, THEY SHALL INCLUDE BOTH AUDIBLE AND VISUAL ALARMS. THE VISUAL ALARMS SHALL BE LOCATED THROUGH-OUT, INCLUDING RESTROOMS, AND PLACED 80 INCHES ABOVE THE FLOOR OR 6 INCHES BELOW CEILING, WHICHEVER IS LOWER.
- DOORS TO ALL ACCESSIBLE SPACES SHALL HAVE ACCESSIBLE HARDWARE (ie. LEVER-OPERATED, PUSH-TYPE, U-SHAPED) MOUNTED NO HIGHER THAN 48 INCHES ABOVE THE FLOOR.
- ALL DOORS SHALL BE OPENABLE BY A SINGLE EFFORT. THE MAXIMUM FORCE REQUIRED TO OPEN A DOOR SHALL NOT EXCEED 8.5 LBS. FOR EXTERIOR SWINGING DOORS AND 5 LBS. FOR ALL SLIDING, FOLDING, AND INTERIOR SWINGING DOORS.
- FLOOR SURFACES SHALL BE STABLE, FIRM, AND SLIP-RESISTANT. CHANGES IN LEVEL BETWEEN 0.25 INCH AND 0.5 INCH SHALL BE BEVELED WITH A SLOPE NO GREATER THAN 1:2. CHANGES IN LEVEL GREATER THAN 0.5 INCH REQUIRE RAMPS. CARPET PILE THICKNESS SHALL BE 0.5 INCH MAX. GRATINGS IN FLOOR SHALL HAVE SPACES NO GREATER THAN 0.5 INCH WIDE IN ONE DIRECTION. DOORWAY THRESHOLDS SHALL NOT EXCEED 0.5 INCH IN HEIGHT.

MECHANICAL NOTES:

- ALL SUPPLY AIR REGISTERS SHALL BE 24 INCHES x 24 INCHES ADJUSTABLE w/10 INCHES x 20 INCHES (INSIDE) OVERHEAD FIBERGLASS DUCT, UNLESS OTHERWISE SPECIFIED. DUCTS LOCATED IN VENTILATED ATTIC SPACES SHALL HAVE AN R-6 INSULATION VALUE. DUCTS LOCATED IN UNCONDITIONED INTERIOR SPACE. INTERIOR SPACES SHALL HAVE AN R-4.2 INSULATION VALUE.
- HVAC EQUIPMENT SHALL BE EQUIPPED WITH OUTSIDE FRESH INTAKES PROVIDING 20 CFM FOR EACH OCCUPANT.
- HVAC SYSTEM SHALL COMPLY WITH NFPA 90B WHEN BUILDING VOLUME DOES NOT EXCEED 25,000 CUBIC FEET, OTHERWISE HVAC SYSTEM SHALL COMPLY WITH NFPA 90A.

WINDOW & DOOR SPECIFICATIONS

- DBL. PANE WINDOWS ARE REQUIRED FOR ALL CLIMATE ZONES. SEE WINDOW SCHEDULE FOR U-FACTOR AND SHGC.
- THE MAXIMUM ALLOWABLE AIR LEAKAGE RATE FOR WINDOWS IS 0.3 CFM PER SQUARE FEET OF WINDOW AREA.
- THE MAXIMUM ALLOWABLE AIR LEAKAGE RATE FOR EXTERIOR DOORS IS 0.5 CFM PER SQUARE FEET OF DOOR AREA.

ENERGY CODE:

Walls: U-0.060 BTU/h x ft² x F
 Roof: U-0.023
 Floors: U-0.035
 Doors: U-0.082
 Windows: U-0.28, SHGC 0.23

STATE CODES:

WASHINGTON

BUILDING : 2021 WASHINGTON STATE BUILDING CODE (2021 IBC, AMENDED)
 PLUMBING: 2021 WASHINGTON PLUMBING CODE (2021 UPC, AMENDED)
 MECHANICAL: 2021 WASHINGTON STATE MECHANICAL CODE (2021 IMC, AMENDED)
 ELECTRICAL: 2023 WASHINGTON ELECTRICAL CODE (2023 NFPA 70, AMENDED)
 ENERGY: 2021 WASHINGTON STATE COMMERCIAL ENERGY CODE (2021 IECC, AMENDED)
 ACCESSIBILITY: 2010 ADA STANDARDS FOR ACCESSIBLE DESIGN
 2017 WASHINGTON ACCESSIBILITY CODE (ANSI A117.1, AMENDED)

STRUCTURAL LOAD LIMITATIONS:

(DATA PLATE INFORMATION)

BUILDING OCCUPANCY CATEGORY: II
 FLOOR DEAD AND LIVE LOADS:
 A. DEAD LOAD: 12 PSF (AVERAGE)
 B. UNIFORM LIVE LOAD: 40 PSF
 C. CONCENTRATED LIVE LOAD: 1000 LBS OVER 30" x 30" AREA LOCATED ANYWHERE ON FLOOR. (NOTE: UNIFORM AND CONCENTRATED LIVE LOADS ARE NOT SIMULTANEOUSLY APPLIED).

ROOF DEAD AND LIVE LOADS:
 A. DEAD LOAD: 12 PSF (AVERAGE)
 B. ROOF LIVE LOAD: 20 PSF

ROOF SNOW LOAD:
 A. GROUND SNOW LOAD: Pg = 45 PSF
 B. ROOF SNOW LOAD: Pf = 45 PSF
 C. SNOW EXPOSURE FACTOR: Ce = 1.0
 D. SNOW IMPORTANCE FACTOR: Is = 1.0
 E. SNOW THERMAL FACTOR: Ct = 1.1
 F. ROOF SLOPE FACTOR: Cs = 1.0
 G. SLOPE ROOF SNOW LOAD: Ps = (Pf x Cs)
 H. DESIGN IS BASED ON FULL OR PARTIALLY EXPOSED ROOF PER ASCE 7-16.

WIND LOAD:
 A. BASIC WIND SPEED (3-SEC GUST): Vult = 130 MPH
 B. ASD WIND SPEED (3-SEC GUST): Vasd = 101 MPH
 C. RISK CATEGORY: II
 D. WIND EXPOSURE CATEGORY: C
 E. INTERNAL PRESSURE COEFFICIENT: GCpi = 0.18

F. THIS BUILDING IS NOT DESIGN FOR PLACEMENT ON THE UPPER HALF OF A HILL OR ESCARPMENT EXCEEDING 15 FEET IN HEIGHT.
 G. BUILDING DESIGN BASED ON "ENCLOSED" CLASSIFICATION.
 H. BUILDING MEAN ROOF HEIGHT SHALL NOT EXCEED 15 FEET.

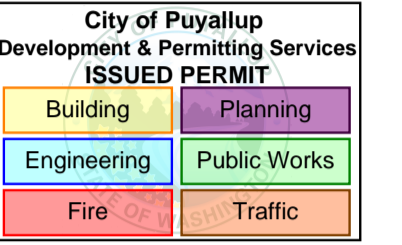
SEISMIC LOAD:
 A. RISK CATEGORY: II
 B. SEISMIC IMPORTANCE FACTOR: I=1.00
 C. SEISMIC SITE CLASS: D
 D. SPECTRAL RESPONSE COEFFICIENTS:
 Ss = 1.389 S1 = 0.486
 E. SEISMIC DESIGN CATEGORY: D

FLOOD LOAD:
 THIS BUILDING IS NOT DESIGNED TO BE SUBMERGED OR SUBJECT TO WAVE ACTION WHEN LOCATED IN A FLOOD PRONE OR ZONE AREA. THE FINISH FLOOR ELEVATION MUST BE LOCATED ABOVE THE BUILDING SITE FLOOD PLANE LEVEL FOR THIS BUILDING TO BE LOCATED IN A FLOOD PRONE OR ZONE AREA SUBJECT TO LOCAL JURISDICTION.

SITE INSTALLED NOTES:

NOTE THAT THIS LIST DOES NOT NECESSARILY LIMIT THE ITEMS OF WORK AND MATERIALS THAT MAY BE REQUIRED FOR A COMPLETE INSTALLATION. ALL SITE RELATED ITEMS ARE SUBJECT TO LOCAL JURISDICTION AND APPROVAL.

- THE COMPLETE FOUNDATION SUPPORT AND TIE DOWN SYSTEM.
- RAMPS, STAIRS AND GENERAL ACCESS TO THE BUILDING.
- PORTABLE FIRE EXTINGUISHERS(S).
- BUILDING DRAINS, CLEAN-OUTS, AND HOOK-UP TO PLUMBING SYSTEM.
- ELECTRICAL SERVICE HOOK-UP (INCLUDING FEEDERS) TO THE BUILDING.
- THE MAIN ELECTRICAL PANEL AND SUB-FEEDERS (MULTI-UNITS ONLY).
- CONNECTION OF ELECTRICAL CIRCUITS CROSSING OVER MODULE MATING LINES(S) - (MULTI-UNITS ONLY).
- STRUCTURAL AND AESTHETIC INTERCONNECTIONS BETWEEN MODULES (MULTI-UNITS ONLY).
- WINDOW AND DOOR HIGH WIND STORM COVERINGS PER CODE (SEE GENERAL NOTE #15)
- GUTTERS & DOWNSPOUTS (IF APPLICABLE)

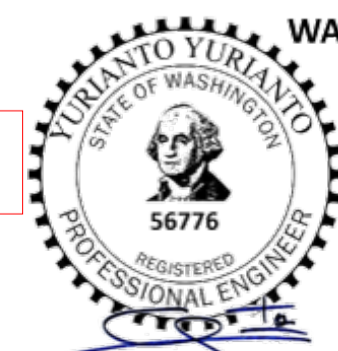


PRPF20241231



© 2022 ATCO STRUCTURES & LOGISTICS LTD. ALL RIGHTS RESERVED. THESE DRAWINGS CONTAIN CONFIDENTIAL INFORMATION AND ARE THE PROPERTY OF ATCO STRUCTURES & LOGISTICS LTD. THEY SHALL BE HELD IN STRICTEST CONFIDENCE AND CANNOT BE USED, COPIED, REPRODUCED, DISCLOSED, PUBLISHED, DISTRIBUTED OR OTHERWISE EXPLOITED, IN ANY FORM OR MANNER, IN WHOLE OR IN PART, FOR ANY REASON OTHER THAN THE REASON FOR WHICH THEY WERE PROVIDED TO YOU BY ATCO STRUCTURES & LOGISTICS LTD. WITHOUT THE EXPRESS WRITTEN CONSENT OF ATCO STRUCTURES & LOGISTICS LTD.

FOR PERMIT

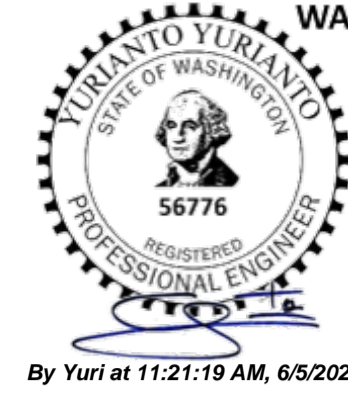


By Yuri at 12:06:31 AM, 5/15/2024
 [Structural Aspects Only]
 MEP Dead Weights, Seismic/Wind Loads, Supports, Anchors & Hold-Downs/etc.

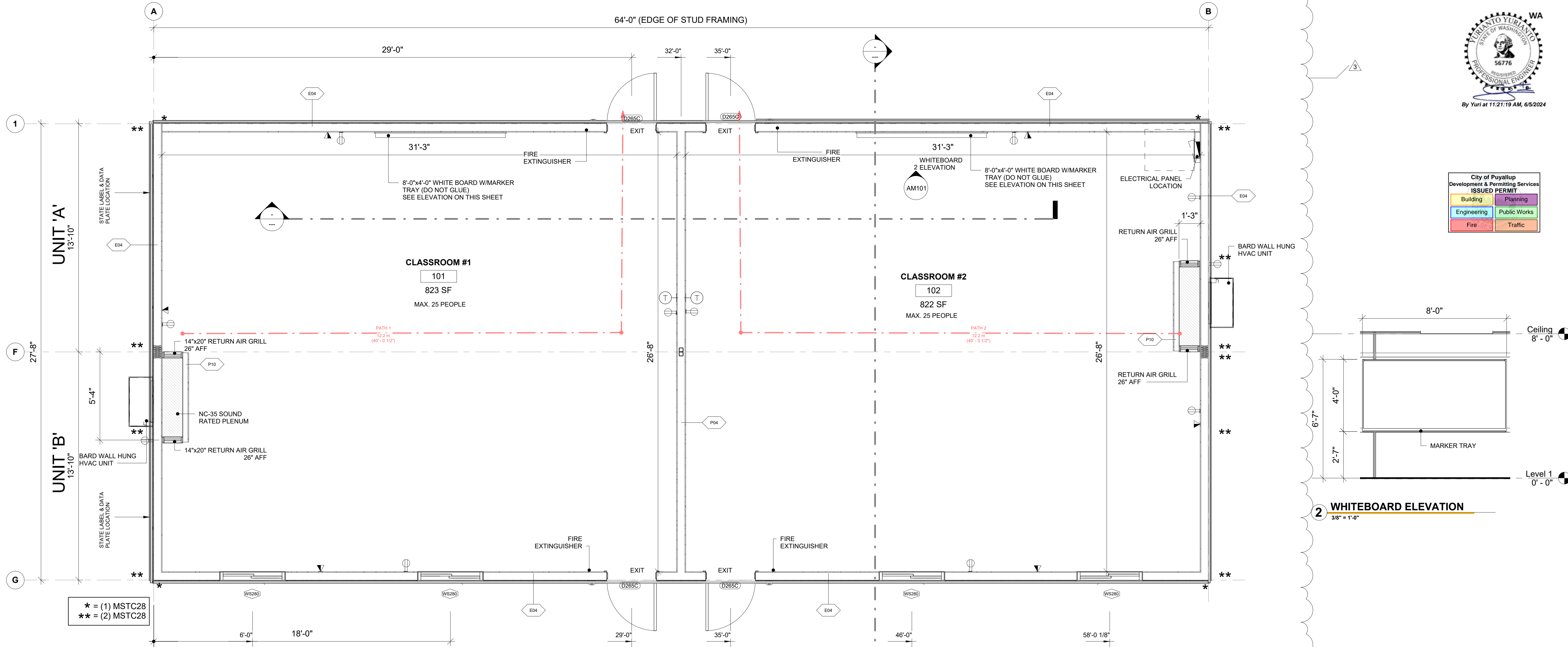
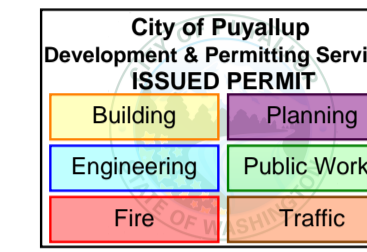
REV.	DATE	DESCRIPTION	BY	CHK/APR
2	2024-05-13	REISSUED FOR STATE APPROVAL	NM	
1	2024-04-17	ISSUED FOR PERMIT	GM	

PROJECT:	28x64 CLASSROOM			DRAWING TITLE:	GENERAL NOTES/CODE SUMMARY		
CLIENT:	ATCO STRUCTURES AND LOGISTICS			PROJECT NO:	1106442-A	DRAWING NO:	AM002
				REV. #			2

PLOT DATE: 2024-06-04 9:16:57 AM



By Yuri at 11:21:19 AM, 6/5/2024



1 FLOOR PLAN
1:35

2 WHITEBOARD ELEVATION
3/8" = 1'-0"

PRPF20241231

DOOR SCHEDULE																
MARK	QTY	DOOR DESCRIPTION	DOOR						FRAME		ROUGH OPENING		DOOR PROPERTIES		COMMENTS	Area
			WD	HGT	THK.	MATERIAL	FINISH EXT/INT	GLAZING	TYPE	FINISH EXT/INT	WD	HGT	FUNCTION			
D265C	4	Exterior Door With 6"x30" VP (36"x80" 20 Galv. Pre-Hung Steel Door)	3'-0"	6'-8"	0'-1 3/4"	STEEL	BRIGHT WHITE	N/A	18GA	STONE GRAY	3'-0 1/4"	6'-9 1/8"	EXTERIOR	PANIC HARDWARE, CLASSROOM LOCKSET, CLOSER/ADA THRESHOLD	20.4 SF	

NOTES: DOOR HARDWARE TO HAVE SATIN CHROME ALUMINUM TYPE FINISH

WINDOW SCHEDULE1																	
WINDOW NO.	QTY	DIMENSIONS				ROUGH OPENING			GLAZING				WINDOW U-VALUE (BTU/h-ft ² -°F)	WINDOW TREATMENT			
		WIDT H	HEIGHT	HEAD HEIGHT	SILL HEIGHT	TYPE	WIDTH	HEIGHT	MATERIAL	FINISH COLOUR	JAMB THICKNESS	DESCRIPTION			WINDOW COLOUR	WINDOW SHGC	WINDOW VT
WS280	4	47"	47"	80 5/8"	33 5/8"	ALPINE 6700	48"	48"	PVC	WHITE	6 5/8"	DOUBLE INDULATED GLASS, CLEAR WITH LOW E FILM	WHITE	0.23	.20	0.28	Yes

STATISTICS LEGEND (NET)			
SPACE NAME	ROOM #	AREA	Level
CLASSROOM #1	101	823 SF	Level 1
CLASSROOM #2	102	822 SF	Level 1

AIR BARRIER NOTES:
 THESE AREAS SHALL BE SEALED BY CAULKING, GASKETS, TAPE OR WEATHER-STRIPPING:
 - JOINTS AROUND FENESTRATION (WINDOWS AND DOOR FRAMES): USE APPROPRIATELY SIZED BACKER ROD WITH MINIMUM 2" LAP AT ENDS.
 - JUNCTIONS BETWEEN WALLS AT:
 - BUILDING CORNERS: USE CAULKING
 - STRUCTURAL FLOORS: USE SILL SEAL OR CAULKING
 - ROOFS (AT RIM): USE SILL SEAL OR CAULKING
 - PENETRATIONS OF UTILITY SERVICES THRU THE AIR BARRIER @ ROOFS, WALLS, AND FLOORS: USE CAULKING, SPRAY FOAM, OR AIR BARRIER TAPE.
 - BUILDING ASSEMBLIES USED AS DUCTS OR PLENUMS: USE BACKER ROD, CAULK, SPRAY FOAM OR AIR BARRIER TAPE.
 - JOINTS, SEAMS, AND PENETRATIONS OF VAPOR RETARDANTS: USE CAULK OR APPROVED TAPE.
 - RECESSED LIGHTING FIXTURES: USE CAULK OR SPRAY FOAM.

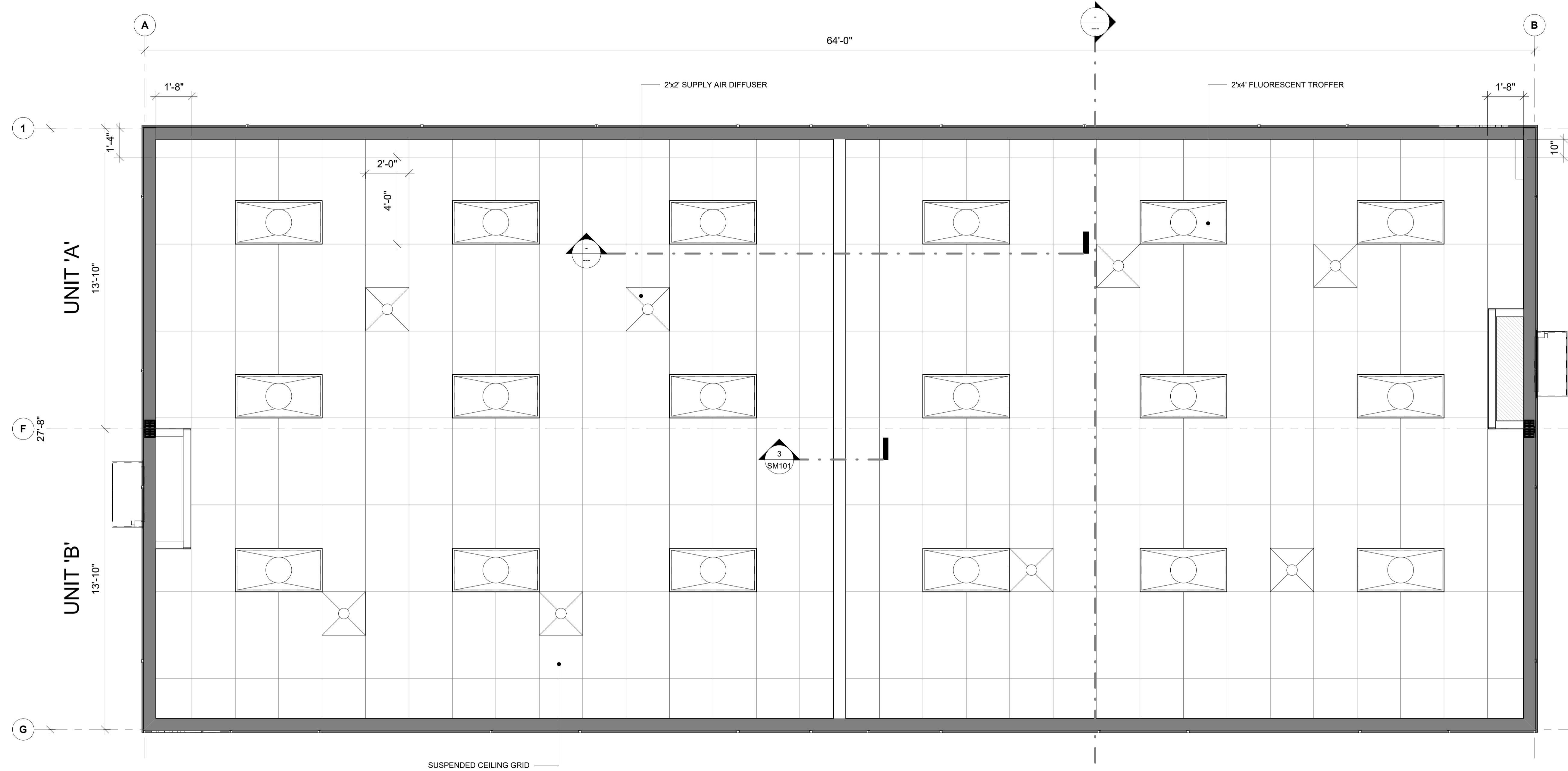
© 2022 ATCO STRUCTURES & LOGISTICS LTD. ALL RIGHTS RESERVED. THESE DRAWINGS CONTAIN CONFIDENTIAL INFORMATION AND ARE THE PROPERTY OF ATCO STRUCTURES & LOGISTICS LTD. THEY SHALL BE HELD IN STRICTEST CONFIDENCE AND CANNOT BE USED, COPIED, REPRODUCED, DISCLOSED, PUBLISHED, DISTRIBUTED OR OTHERWISE EXPLOITED, IN ANY FORM OR MANNER, IN WHOLE OR IN PART, FOR ANY REASON OTHER THAN THE REASON FOR WHICH THEY WERE PROVIDED TO YOU BY ATCO STRUCTURES & LOGISTICS LTD. WITHOUT THE EXPRESS WRITTEN CONSENT OF ATCO STRUCTURES & LOGISTICS LTD.
 24x36 SHEET - DO NOT PRINT TO OTHER SCALE

FOR PERMIT

REV.	DATE	DESCRIPTION	BY	CHK/APR
3	2024-06-04	REISSUED FOR STATE APPROVAL	NM	
2	2024-05-13	REISSUED FOR STATE APPROVAL	NM	
1	2024-04-17	ISSUED FOR PERMIT	GM	

PROJECT:	28x64 CLASSROOM	DRAWING TITLE:	OVERALL FLOOR PLAN - LEVEL 1
CLIENT:	ATCO STRUCTURES AND LOGISTICS	PROJECT NO:	1106442-A
		DRAWING NO:	AM101
		REV. #	3

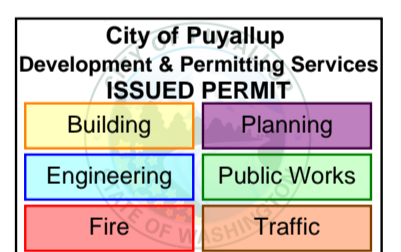
PLOT DATE: 2024-05-14 11:23:13 AM



2 REFLECTED CEILING PLAN
3/8" = 1'-0"

ELECTRICAL LEGEND	
	120V/20A SINGLE-POLE SWITCH WITH OCCUPANCY SENSOR - 48" AFF
	125V/20A DUPLEX RECEPTACLE - 18" AFF
	125V/20A DUPLEX (GFI) RECEPTACLE - 18" AFF - UP TO 48" AFF
	125V/20A DUPLEX (GFI) WEATHER RESISTANT RECEPTACLE - 6" AFF - EXTERIOR MOUNTED
	2x4 NON-METALLIC JUNCTION BOX W/3/4" PVC CONDUIT CEILING STUB UP.
	EXIT/EMERGENCY LIGHT W/BATTERY PACK & EXTERIOR REMOTE HEAD (WP) - 84" AFF
	LED WALL PACK - WEATHERPROOF W/PHOTOCELL CONTROL - 74" AFF
	THERMOSTAT - FOR CENTRAL HVAC UNIT PROGRAMMABLE - MOUNTED AT 48" AFF
	ELECTRICAL PANEL - 120/240V / SINGLE PHASE / 60 HZ / 3 WIRE / MAIN LUG / 125 AMP PANEL
	24"x48" EDGE LIT LED (LAY-IN) (FLAT PANEL) LIGHT FIXTURE W/DIFFUSER - 40W RATED - COOPER - 24CGTS-L3CS
	24"x24" LAY-IN CEILING DIFFUSER

3 ELECTRICAL LEGEND
3/8" = 1'-0"



PRPF20241231

Arch D Titleblock R2018.1



© 2022 ATCO STRUCTURES & LOGISTICS LTD. ALL RIGHTS RESERVED. THESE DRAWINGS CONTAIN CONFIDENTIAL INFORMATION AND ARE THE PROPERTY OF ATCO STRUCTURES & LOGISTICS LTD. THEY SHALL BE HELD IN STRICTEST CONFIDENCE AND CANNOT BE USED, COPIED, REPRODUCED, DISCLOSED, PUBLISHED, DISTRIBUTED OR OTHERWISE EXPLOITED, IN ANY FORM OR MANNER, IN WHOLE OR IN PART, FOR ANY REASON OTHER THAN THE REASON FOR WHICH THEY WERE PROVIDED TO YOU BY ATCO STRUCTURES & LOGISTICS LTD. WITHOUT THE EXPRESS WRITTEN CONSENT OF ATCO STRUCTURES & LOGISTICS LTD.

FOR PERMIT



By Yuri at 12:06:32 AM, 5/15/2024 [Structural Aspects Only] MEP Dead Weights, Seismic/Wind Loads, Supports, Anchors & Hold Downings.

REV.	DATE	DESCRIPTION	BY	CHK/APR
1	2024-04-17	ISSUED FOR PERMIT	GM	

PROJECT: 28x64 CLASSROOM

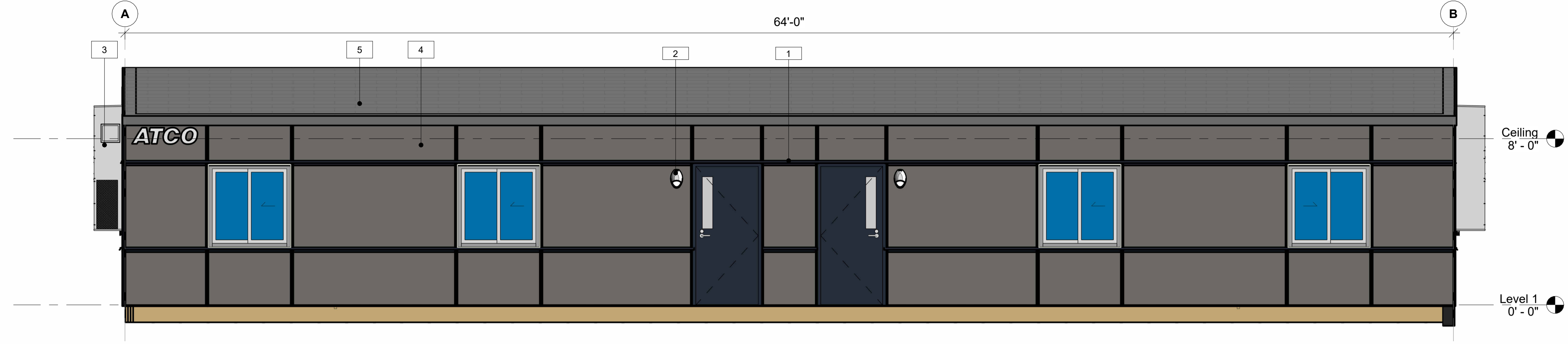
CLIENT: ATCO STRUCTURES AND LOGISTICS

DRAWING TITLE: OVERALL REFLECTED CEILING PLAN

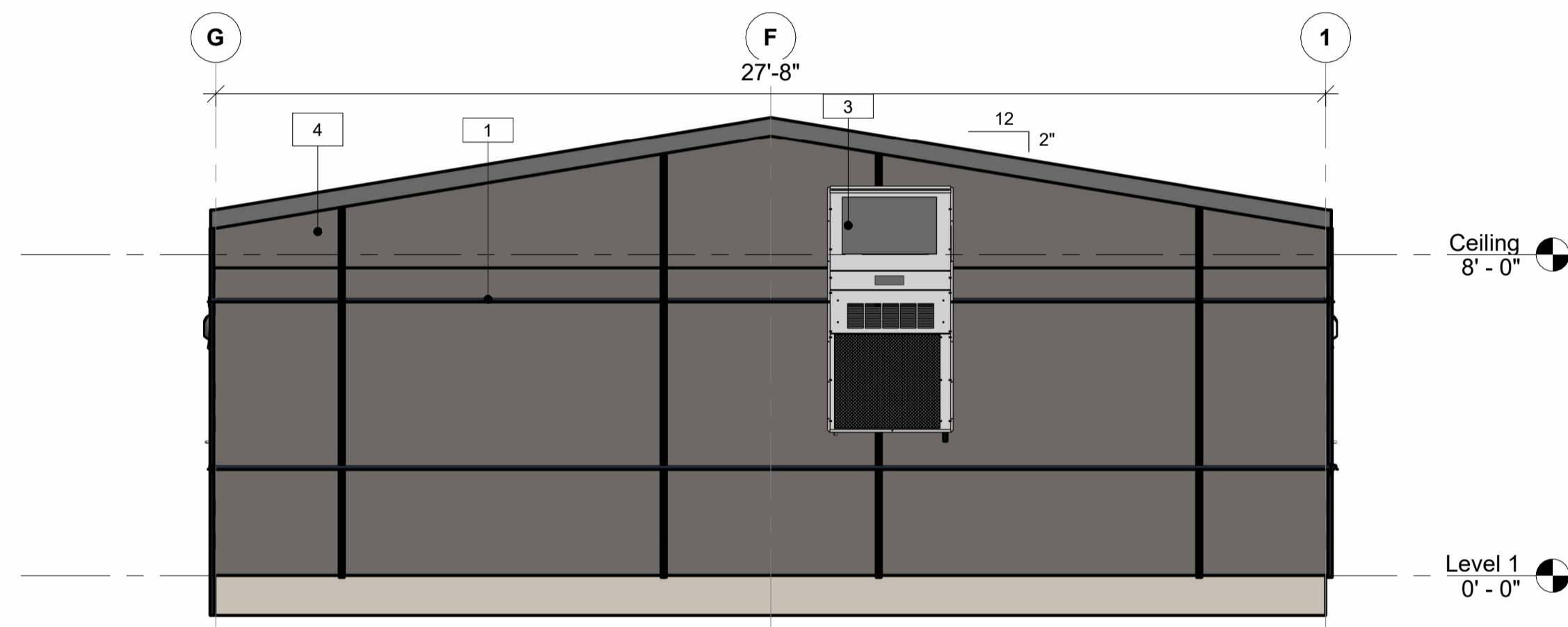
PROJECT NO: 1106442-A
DRAWING NO: AM141
REV. #: 1

PLOT DATE: 2024-06-04 9:18:15 AM

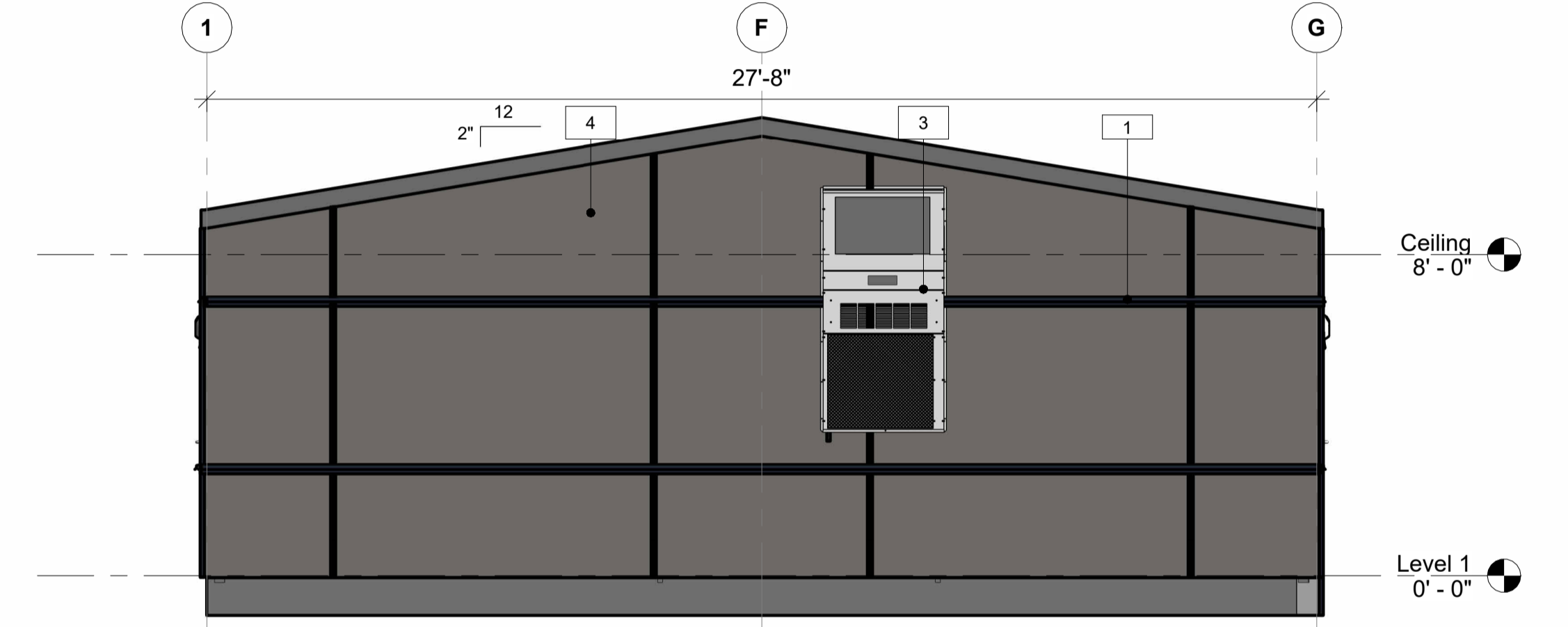
Arch D Titleblock R2018.1



2 FRONT ELEVATION
1:40



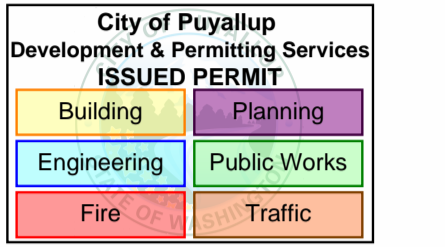
4 RIGHT SIDE ELEVATION
1:40



5 LEFT SIDE ELEVATION
1:40



3 REAR ELEVATION
1:40



PRPF20241231

ELEVATION LEGEND	
TYPE MARK	DESCRIPTION
1	HORIZONTAL J TRIM WITH DRIP
2	EXTERIOR LIGHT
3	HVAC UNIT
4	HARDIE PANEL
5	SHINGLES OVER ICE AND WATER SHIELD



© 2022 ATCO STRUCTURES & LOGISTICS LTD. ALL RIGHTS RESERVED. THESE DRAWINGS CONTAIN CONFIDENTIAL INFORMATION AND ARE THE PROPERTY OF ATCO STRUCTURES & LOGISTICS LTD. THEY SHALL BE HELD IN STRICTEST CONFIDENCE AND CANNOT BE USED, COPIED, REPRODUCED, DISCLOSED, PUBLISHED, DISTRIBUTED OR OTHERWISE EXPLOITED, IN ANY FORM OR MANNER, IN WHOLE OR IN PART, FOR ANY REASON OTHER THAN THE REASON FOR WHICH THEY WERE PROVIDED TO YOU BY ATCO STRUCTURES & LOGISTICS LTD. WITHOUT THE EXPRESS WRITTEN CONSENT OF ATCO STRUCTURES & LOGISTICS LTD.

24x36 SHEET - DO NOT PRINT TO OTHER SCALE

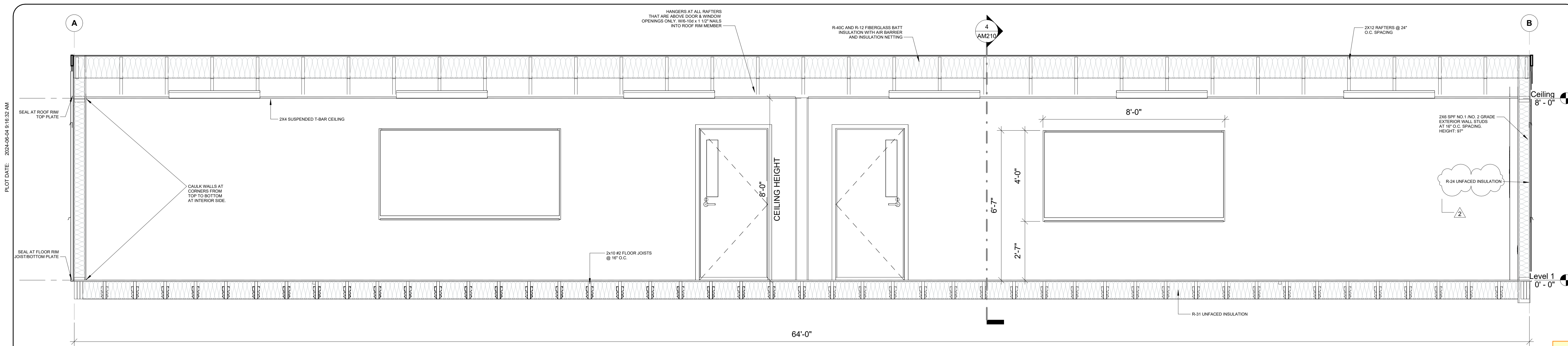
FOR PERMIT

REV.	DATE	DESCRIPTION	BY	CHK/APR
3	2024-06-04	REISSUED FOR STATE APPROVAL	NM	
2	2024-05-13	REISSUED FOR STATE APPROVAL	NM	
1	2024-04-17	ISSUED FOR PERMIT	GM	

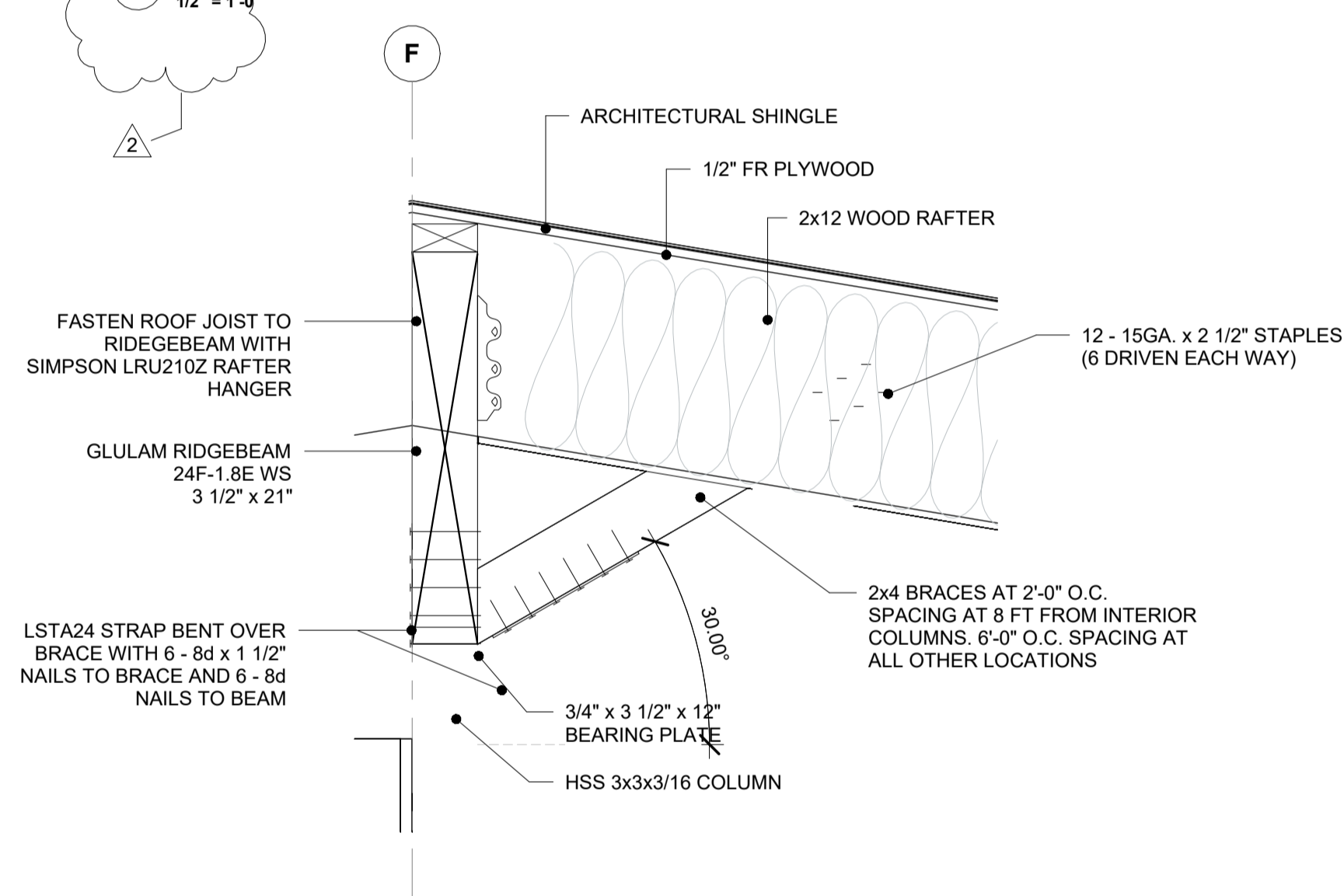
PROJECT:	28x64 CLASSROOM
CLIENT:	ATCO STRUCTURES AND LOGISTICS

DRAWING TITLE:	OVERALL BUILDING ELEVATIONS
PROJECT NO:	1106442-A
DRAWING NO:	AM200
REV. #	3

PLOT DATE: 2024-06-04 9:18:32 AM



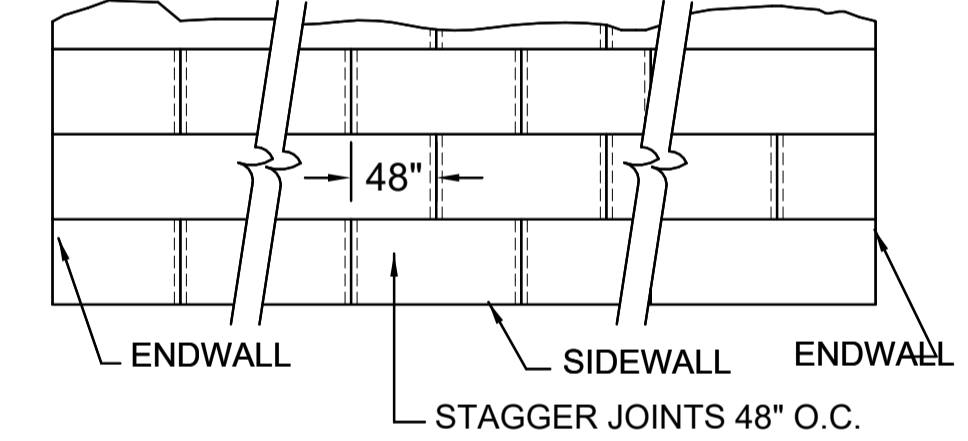
5 BUILDING SECTION - LONG
1/2" = 1'-0"



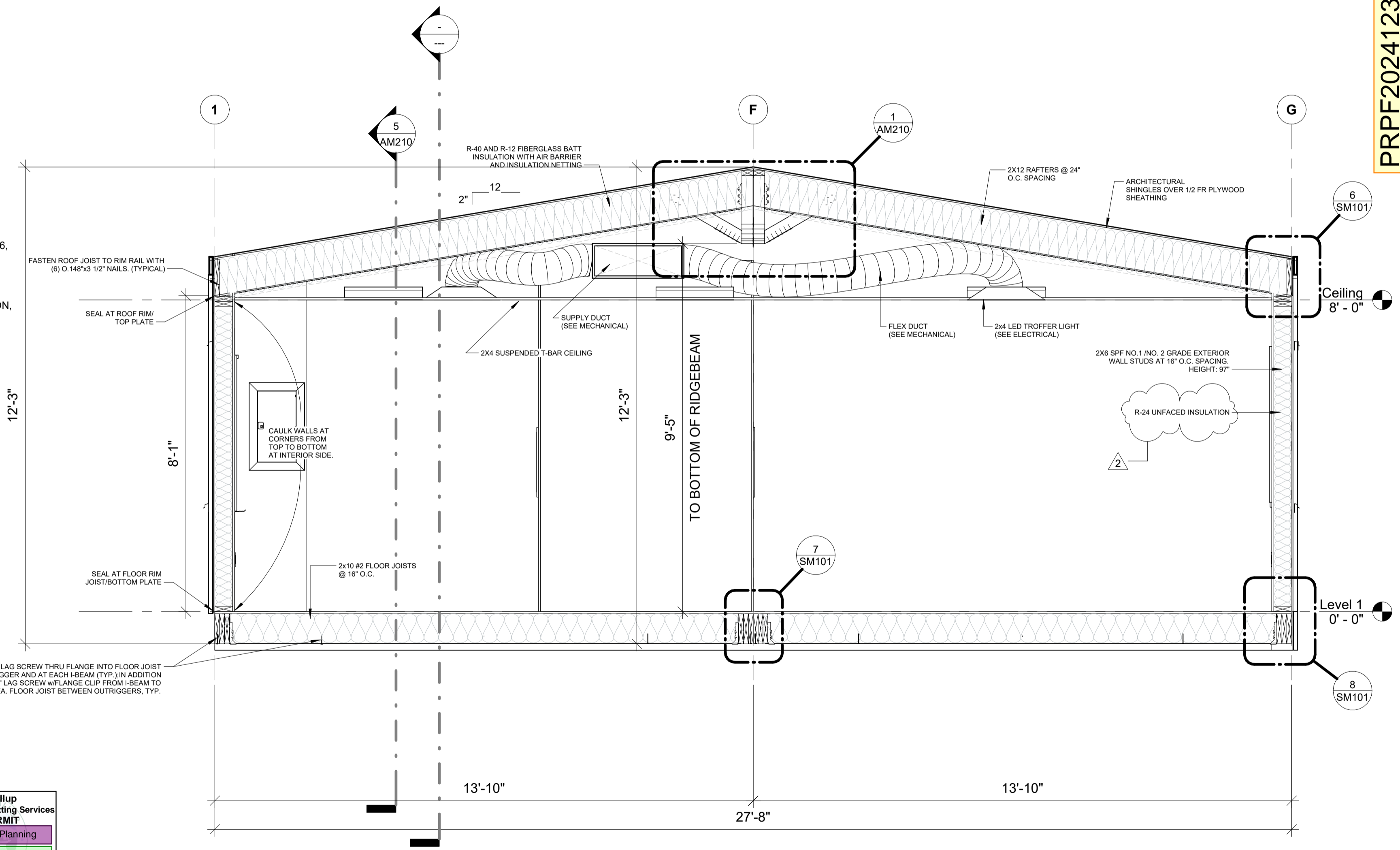
1 RIDGEBEAM DETAIL
1/2" = 1'-0"

GENERAL CROSS-SECTION NOTES:

- UNLESS OTHERWISE SPECIFIED, ALL HOT ROLLED STEEL MUST COMPLY WITH ASTM A36, YIELD STRENGTH = 36 KSI.
- UNLESS OTHERWISE SPECIFIED COLD FORMED STEEL SHALL HAVE A MINIMUM YIELD STRENGTH = 33 KSI.
- ALL LAG SCREWS MUST COMPLY WITH ANS/ASME B18.2.1 F = 60 KSI MINIMUM v_{18} .
- SEE FOUNDATION PLAN FOR PIER AND TIE-DOWN STRAPPING LOCATIONS, ORIENTATION, SPECIFICATIONS.



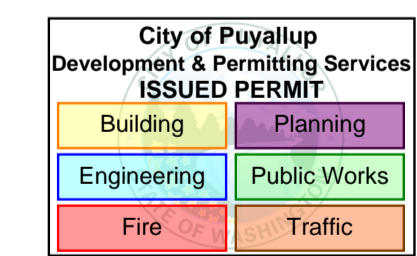
3 OUTRIGGER AND ROOF SHEATHING DETAIL
1/2" = 1'-0"



4 BUILDING SECTION - SHORT
1/2" = 1'-0"

FASTENING SCHEDULE

WALL FASTENING SCHEDULE:	
PLATE TO STUD	MIN. OF 2- 0.121 x 3" NAILS
SHEETROCK TO STUD (INTERIOR)	0.091 x 2 1/2" NAILS @ 18" O.C. EDGE AND CONSTRUCTION ADHESIVE IN FIELD
BOTTOM PLATE TO FLOOR	0.131 x 3" NAILS @ 8" O.C. (SENCO KC27 OR EQUAL)
WALL SHEATHING TO STUD	0.131 x 2 1/2" GALV NAILS: END WALLS - @ 4" O.C. EDGE, 12" O.C. FIELD BLOCKED; LONG WALLS - 6" O.C. EDGE, 12" O.C. FIELD
THREE STUD CORNER CONNECTION	0.131 x 3" NAILS @ 12" O.C. (SENCO KC27 OR EQUAL)
FLOOR FASTENING SCHEDULE:	
2x10 FLOOR JOIST TO RIM	MIN. OF 4 - 0.131" x 3" NAILS (SENCO KC27 OR EQUAL)
CLASS "A" BOTTOM BOARD TO JOIST	16 GA. x 3/8" WIDE CROWN @ 12" MAX. EDGES ONLY
FLOOR DECKING TO 2X10 JOIST	.113" x 2 3/8" RIGG SHANK @ 6" O.C. EDGE, 12" O.C. FIELD (SENCO GE-24). USE CONSTRUCTION ADHESIVE ON JOISTS.
ROOF:	
RIM TO RAFTERS	MIN. OF 3- 0.131" x 3" NAILS (SENCO KC27 OR EQUAL)
ROOF RIM TO TOP PLATE	0.131" x 3" NAILS @ 8" O.C. (SENCO KC27 OR EQUAL)
LEDGER TO RIDGEBEAM	0.131" x 3" NAILS @ 3" O.C. 3" @ BUTT JOINTS (SENCO KC27 OR EQUAL)
RAFTER TO RIDGEBEAM	4- 0.131" x 3" NAILS (SENCO KC27 OR EQUAL)
SHEATHING TO ROOF MEMBERS	15GA. x 2 1/2" STAPLES @ 6" O.C. EDGE, 12" O.C. FIELD (SENCO N19)
MODLINE CONNECTION:	
RIDGEBEAMS	1/2" BOLTS W/ 1 1/2" DIA. WASHERS @ 6'-0" O.C. AND 8" FROM EACH END (MINIMUM 2" EDGE DISTANCE)
RIM JOISTS	1/2" LAGS W/ 1 1/2" DIA. WASHERS @ 4'-0" O.C. AND 8" FROM EACH END (MINIMUM 2" EDGE DISTANCE)



PRPF20241231

Arch D: Titleblock R2018.1



© 2022 ATCO STRUCTURES & LOGISTICS LTD. ALL RIGHTS RESERVED. THESE DRAWINGS CONTAIN CONFIDENTIAL INFORMATION AND ARE THE PROPERTY OF ATCO STRUCTURES & LOGISTICS LTD. THEY SHALL BE HELD IN STRICTEST CONFIDENCE AND CANNOT BE USED, COPIED, REPRODUCED, DISCLOSED, PUBLISHED, DISTRIBUTED OR OTHERWISE EXPLOITED, IN ANY FORM OR MANNER, IN WHOLE OR IN PART, FOR ANY REASON OTHER THAN THE REASON FOR WHICH THEY WERE PROVIDED TO YOU BY ATCO STRUCTURES & LOGISTICS LTD. WITHOUT THE EXPRESS WRITTEN CONSENT OF ATCO STRUCTURES & LOGISTICS LTD.

24x36 SHEET - DO NOT PRINT TO OTHER SCALE

FOR PERMIT

REV.	DATE	DESCRIPTION	BY	CHK/APR
2	2024-06-04	REISSUED FOR STATE APPROVAL	NM	
1	2024-04-17	ISSUED FOR PERMIT	GM	

PROJECT:	28x64 CLASSROOM	DRAWING TITLE:	OVERALL BUILDING SECTIONS
CLIENT:	ATCO STRUCTURES AND LOGISTICS	PROJECT NO:	1106442-A
		DRAWING NO:	AM210
		REV. #	2

PLOT DATE: 2024-06-04 1:49:06 PM

R2024.1

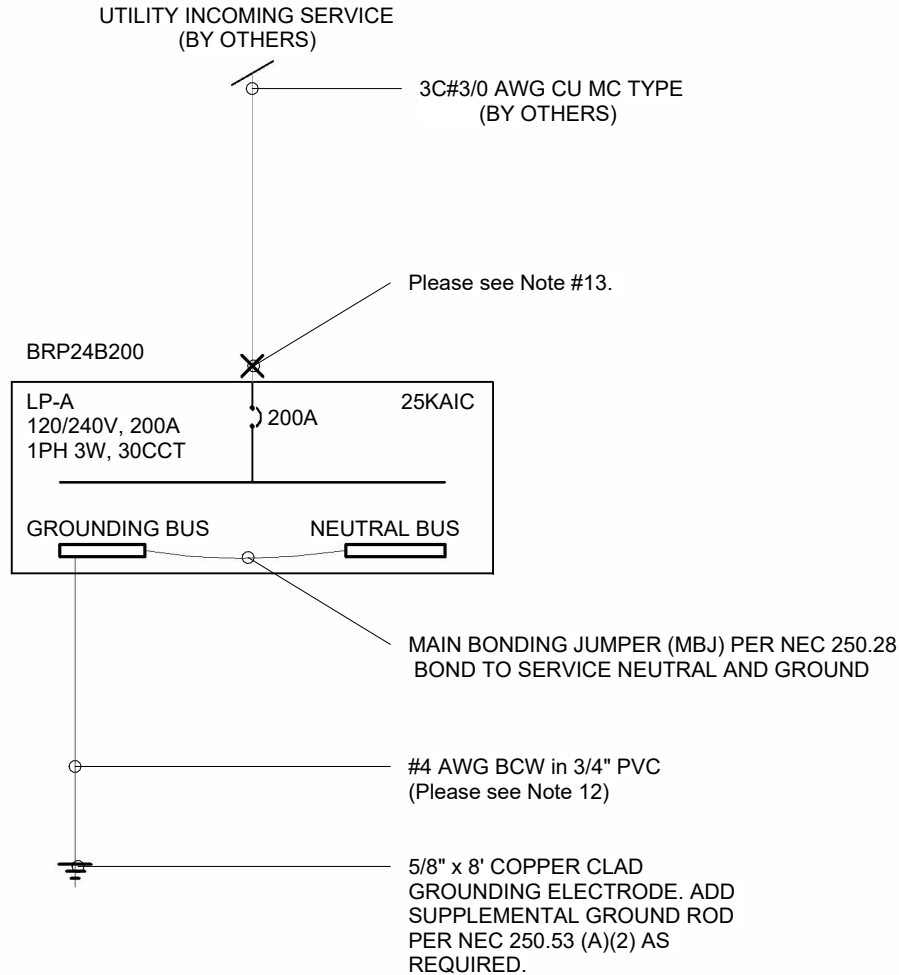
11x17 Titleblock

DRAWING LIST - ELECTRICAL MANUFACTURING	
SHEET NUMBER	SHEET NAME
EM001	ELECTRICAL DRAWING LIST & GENERAL INFORMATION
EM002	SYMBOL LEGENDS & GENERAL NOTES
EM101	OVERALL POWER & DATA PLAN - LEVEL 1
EM201	OVERALL LIGHTING PLAN - LEVEL 1
EM301	OVERALL FIRE ALARM PLAN - LEVEL 1
EM600	PANEL SCHEDULES
Grand total: 6	

City of Puyallup
Development & Permitting Services
ISSUED PERMIT

Building	Planning
Engineering	Public Works
Fire	Traffic

LIGHTING SYMBOL LEGEND		
SYMBOL	DESCRIPTION	MOUNTING HEIGHT
\$	LIGHT SWITCH	48" AFF TO CENTRE, UNLESS OTHERWISE SPECIFIED
↔	EMERGENCY LIGHT BATTERY UNIT	84" AFF TO TOP, UNLESS OTHERWISE SPECIFIED
⏏	EXTERIOR LIGHT FIXTURE	80" AFF TO CENTRE, UNLESS OTHERWISE SPECIFIED
⏏	TROFFER LIGHT	CEILING MOUNTED
OS	OCCUPANCY SENSOR	CEILING MOUNTED
LS	LIGHT SENSOR	CEILING MOUNTED
A	FIXTURE TYPE TAG - REFER TO LUMINAIRE SCHEDULE	N/A
J	JUNCTION BOX WITH COVER	MOUNTED ABOVE CEILING



1 POWER DISTRIBUTION SINGLE LINE DIAGRAM
N.T.S

POWER SYMBOL LEGEND		
SYMBOL	DESCRIPTION	MOUNTING HEIGHT
⏏	5-15R, 120VAC, TAMPER-PROOF, DUPLEX RECEPTACLE	18" AFF TO CENTRE OF DEVICE BOX, UNLESS OTHERWISE SPECIFIED
⏏	HARDWIRED ELECTRICAL CONNECTION TO EQUIPMENT	
⏏	ELECTRICAL PANELBOARD, REFER TO PANEL SCHEDULE FOR SIZING, MODEL AND BREAKER LAYOUT	66" AFF TO HIGHEST OVERCURRENT DEVICE
PP	POWER PACK FOR RECEPTACLE CONTROL	CEILING MOUNTED
DS	DOOR SENSOR FOR BARD UNIT CONTROL	DOOR & JAMB MOUNTED

CODE & DESIGN COMPLIANCE
REFERENCE
1. WASHINGTON STATE BUILDING CODE 2021
2. NATIONAL ELECTRICAL CODE 2023



PRPF20241231



© 2024 ATCO STRUCTURES & LOGISTICS LTD. ALL RIGHTS RESERVED. THESE DRAWINGS CONTAIN CONFIDENTIAL INFORMATION AND ARE THE PROPERTY OF ATCO STRUCTURES & LOGISTICS LTD. THEY SHALL BE HELD IN STRICTEST CONFIDENCE AND CANNOT BE USED, COPIED, REPRODUCED, DISCLOSED, PUBLISHED, DISTRIBUTED OR OTHERWISE EXPLOITED, IN ANY FORM OR MANNER, IN WHOLE OR IN PART, FOR ANY REASON OTHER THAN THE REASON FOR WHICH THEY WERE PROVIDED TO YOU BY ATCO STRUCTURES & LOGISTICS LTD., WITHOUT THE EXPRESS WRITTEN CONSENT OF ATCO STRUCTURES & LOGISTICS LTD.
11x17 SHEET - DO NOT PRINT TO OTHER SCALE

FOR PERMIT

REV.	DATE	DESCRIPTION	BY	CHK/APR
B	2024-06-03	ISSUED FOR STATE APPROVAL	OS	KG
A	2024-05-23	ISSUED FOR REVIEW	OS	

PROJECT:	28x64 CLASSROOM w/o WASHROOM
CLIENT:	KCDA

DRAWING TITLE:		ELECTRICAL DRAWING LIST & GENERAL INFORMATION		
PROJECT NO:	DRAWING NO:	REV. #		
1106442-A	EM001	B		

FIRE ALARM SYMBOL LEGEND		
SYMBOL	DESCRIPTION	MOUNTING HEIGHT
IIM	INTELLIGENT INTERFACE MODULE	84" AFF TO CENTRE , UNLESS OTHERWISE SPECIFIED
M	MANUAL PULL STATION	42" AFF TO CENTRE , UNLESS OTHERWISE SPECIFIED
☐	HORN/ STROBE	90" AFF TO CENTRE , OR MIN 6" BELOW FCL TO TOP

ELECTRICAL ABBREVIATIONS	
ABBREVIATION	DESCRIPTIONS
AFCI	ARC FAULT CIRCUIT INTERRUPTER
AFF	ABOVE FINISHED FLOOR
DP	DISTRIBUTION PANEL
FACP	FIRE ALARM CONTROL PANEL
GFCI	GROUND FAULT CIRCUIT INTERRUPTER
MCA	MINIMUM CIRCUIT AMPACITY
MCB	MAIN CIRCUIT BREAKER
MLO	MAIN LUG ONLY
MOCP	MAXIMUM OVERCURRENT CIRCUIT PROTECTION
MP	MAIN PANEL
SP	SUB PANEL
WP	WEATHER PROOF

GENERAL ELECTRICAL NOTES:

- ALL WIRE SHALL BE MIN OF #12 AWG, UNLESS OTHERWISE SPECIFIED.
- UNLESS OTHERWISE INDICATED, ALL WIRES AND CABLES SHALL BE COPPER AND MC TYPE.
- ALL WIRING MUST CONFORM TO NFPA 70, 72 & 101.
- ALL ELECTRICAL DEVICES ARE TO BE WHITE IN COLOUR.
- ALL DIMENSIONS ARE APPROXIMATE, UNLESS OTHERWISE SPECIFIED.
- LOCATION OF ELECTRICAL DEVICES ARE APPROXIMATE, UNLESS OTHERWISE SPECIFIED.
- ALL MOUNTING HEIGHTS ARE ABOVE FINISHED FLOOR (AFF), UNLESS OTHERWISE SPECIFIED.
- ALL WIRES AND JUNCTION BOXES SHALL BE APPROPRIATELY LABELLED.
- ALL ELECTRICAL COMPONENTS SHALL CONFORM WITH UL LISTING & FM APPROVAL.
- WHERE DEVICE RELOCATION IS REQUIRED DUE TO CONFLICTS WITH OTHER DEVICES AND/OR EQUIPMENT, THE ELECTRICAL CONTRACTOR SHALL INSTALL THE DEVICES UP TO 1M/3 FEET FROM ORIGINAL LOCATION WITHOUT APPROVAL FROM THE ENGINEER. THE ELECTRICAL CONTRACTOR SHALL PROVIDE ALL REDLINE DRAWINGS TO ATCO ENGINEERING UPON COMPLETION OF MANUFACTURING.
- WHERE A DEVICE IS SPECIFIED WITH AN EXACT MODEL NUMBER AND AN ALTERNATE IS PROVIDED, ENGINEERING MUST BE NOTIFIED AND THE ALTERNATE DEVICES MUST BE APPROVED PRIOR TO INSTALLATION.
- GROUNDING WIRE SIZE IS BASED ON THE 3/0 CALCULATED INCOMING FEEDER SIZE. IN CASE THERE WILL BE CHANGES, WIRE SIZE SHALL BE BASED AS PER NEC TABLE 250.66 (GROUNDING ELECTRODE CONDUCTOR FOR ALTERNATING-CURRENT SYSTEMS).
- INSTALLER SHALL:
 - VERIFY THE AVAILABLE FAULT CURRENT (AFC) AS PROVIDED BY THE UTILITY.
 - IF THE AFC EXCEEDS 25 KAIC (RATING OF DESIGNATED PANEL), CONSULT WITH ENGINEER BEFORE CONTINUING WITH INSTALLATION.
 - FURNISH AND INSTALL FIELD MARKING PER NEC 110.24(A)

LIGHTING NOTES:

- REFER TO LUMINAIRE SCHEDULE FOR LIGHT FIXTURE TYPES.
- ALL WIRE SHALL BE #12 AWG FOR EMERGENCY LIGHTING CIRCUITS.
- DISCONNECT LEADS OF THE EMERGENCY BATTERY PACKS FROM BATTERY TERMINALS PRIOR TO SHIPPING. ONCE ON SITE, RECONNECT LEADS, CHARGE FOR TWENTY-FOUR (24) HOURS THEN TEST ALL EMERGENCY/EXIT LIGHT BATTERIES FOR 30 MINUTES.
- SEND ALL SITE TESTING DOCUMENTATION TO ATCO ENGINEERING PRIOR TO PROJECT COMPLETION (IF APPLICABLE)

POWER NOTES:

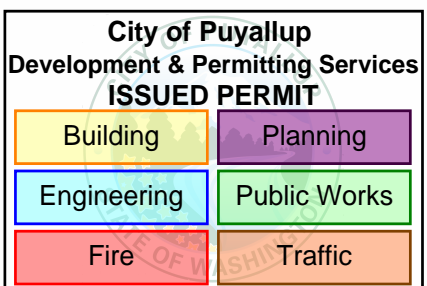
- TELEPHONE/DATA OUTLETS SHALL HAVE 3/4" EMT CONDUIT STUBBED UP TO CEILING SPACE COMPLETE WITH PLASTIC BUSHING. PULL STRING SHALL BE SUPPLIED FOR EACH OUTLET.
- ALL THERMOSTAT WIRE SHALL BE 5C#18 LOW VOLTAGE WIRE.
- ALL ELECTRIC RESISTANCE SPACE HEATERS SHALL BE CONTROLLED BY INDEPENDENT THERMOSTATS LOCATED IN THE SPACE AS PER CAN/CSA-C828.
- HEAT TRACE JUNCTION BOXES TO BE TEMPORARILY MOUNTED IN FLOOR CAVITY DURING TRANSPORT AND RELOCATED TO THE UNDERSIDE OF THE UNIT ON SITE.
- REFER TO MECHANICAL DRAWINGS FOR EXACT LOCATIONS AND MOUNTING HEIGHTS OF ALL MECHANICAL EQUIPMENT PRIOR TO INSTALLATION.
- ALL RECEPTACLE COVER PLATES SHALL BE LABELED WITH SILVER LABELS C/W BLACK LETTERING AND SHALL IDENTIFY THE PANEL NAME AND CIRCUIT BREAKER NUMBER.
- PROVIDE LABELS FOR SPECIAL PURPOSE SWITCHES, RECEPTACLES AND ELECTRICAL DEVICES.
- ALL ELECTRICAL MATERIAL AND INSTALLATIONS SHOWN AND/OF SPECIFIED SHALL BE INSTALLED AS PER THE MANUFACTURER'S RECOMMENDATIONS AND SHALL COMPLY IN STRICT ACCORDANCE WITH THE LATEST EDITION OF NFPA STANDARDS AND THE NEC 2023.
- SEND ALL SITE TESTING DOCUMENTATION TO ATCO ENGINEERING PRIOR TO PROJECT COMPLETION.

PANELBOARD NOTES:

- PANELBOARDS SHALL BE COMPLETE WITH LOCKABLE PANEL DOORS, PANEL SCHEDULES, ARC FLASH STICKERS AND LAMACIODS STATING THE PANEL NAME, AMPERAGE, VOLTAGE, PHASE AND WIRE COUNT.
- MAIN SERVICE CONNECTION TO MAIN PANELBOARD TO BE COMPLETED ON SITE (BY OTHERS).
- ALL PANELBOARDS SHALL BE EATON CUTLER HAMMER AND SHALL UTILIZE 'BR' PLUG-IN LOADCENTRE BREAKERS OR EQUIVALENT FULL SIZE BREAKERS.

ENERGY CODE NOTES - LIGHTING

- LIGHTING CONTROL METHOD TO COMPLY TO GENERAL LIGHTING CONTROL REQUIREMENTS (C405.2.1.-C405.2.10):**
OCCUPANCY SENSORS WILL BE INSTALLED THROUGHOUT BUILDING (C405.4.2(1))
 OCCUPANCY SENSORS SHALL BE CONFIGURED TO TURN OFF LIGHTS WITHIN 20MIN OF ALL OCCUPANTS LEAVING THE SPACE;
 THEY SHALL BE MANUAL ON, OR CONFIGURED TO AUTOMATICALLY TURN ON THE LIGHTING TO NOT MORE THAN 50% POWER;
 THEY NEED TO INCORPORATE A MANUAL CONTROL TO ALLOW OCCUPANTS TO TURN LIGHTS OFF.
 MANUAL CONTROLS ARE NOT REQUIRED IN CORRIDORS, STAIRWAYS, RESTROOMS, LOCKER ROOMS, LOBBIES OR OTHER AREAS
 WHERE A MANUAL OPERATION WOULD ENDANGER SAFETY OR SECURITY.
- TIME SWITCH CONTROLS: NOT REQUIRED (C405.2.2.)**
- MANUAL CONTROLS:** REQUIRED (C405.2.3.) - PROVIDED WITH LOW VOLTAGE WALL SWITCHES.
- LIGHTING REDUCTION CONTROLS (C405.2.4.)** - NOT REQUIRED
- DAYLIGHT RESPONSIVE CONTROLS (C405.2.5.)** - PROVIDED
- ADDITIONAL LIGHTING CONTROLS (C405.2.6):** NOT PROVIDED
- AREA CONTROLS (C495.2.7):** NOT REQUIRED
- ADVANCED LIGHTING CONTROLS (C405.2.8.):** NOT REQUIRED
- EXTERIOR LIGHTING CONTROLS (C405.2.9):** CONTROLS TO COMPLY TO C405.2.9.1 - C405.2.9.4.
 DAYLIGHT SHUTOFF (C405.2.9.1.) THE EXTERIOR LIGHTING COMES WITH A BUILT-IN PHOTOMETRIC SENSOR THAT SHUTS-OFF THE LIGHT ONCE THE SET LIGHTING LEVEL IS ACHIEVED. REQUIRED, FIXTURES C/W DAYLIGHT SENSING PROVIDED
 BUILDING FACADE, LANDSCAPE LIGHTING (C405.2.9.2.): NOT PROVIDED
- INTERIOR LIGHTING POWER REQUIREMENTS:** TOTAL CONNECTED INTERIOR LIGHTING POWER IS NO GREATER THAN INTERIOR LIGHTING POWER ALLOWANCE (C405.4.): SEE WSEC SPREADSHEET CALCULATION, BUILDING AREA METHOD USED
- EXTERIOR LIGHTING POWER REQUIREMENTS (C405.5):** TOTAL CONNECTED EXTERIOR LIGHTING POWER IS NO GREATER THAN EXTERIOR LIGHTING POWER ALLOWANCE: SEE WSEC SPREADSHEET CALCULATION, EXTERIOR LIGHTING ZONE: 2



PRPF20241231



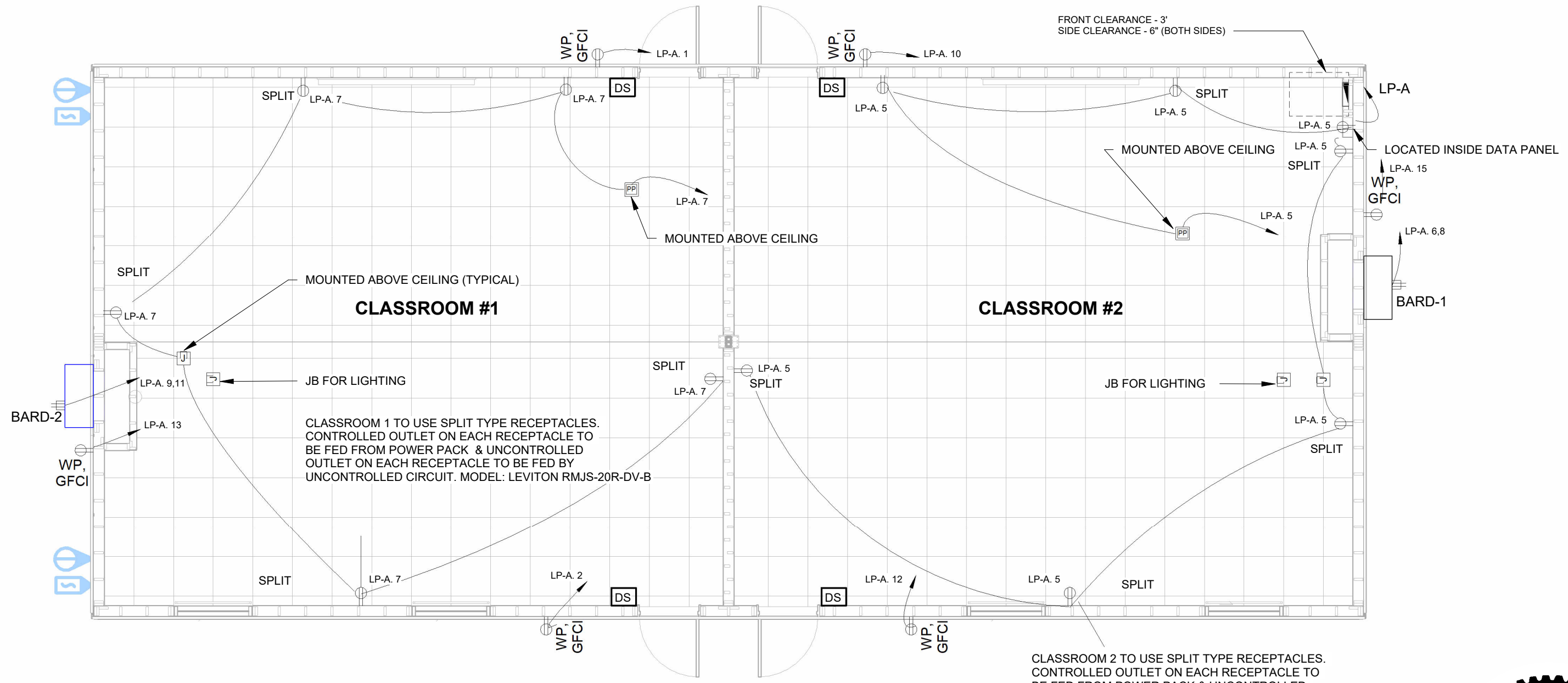
© 2024 ATCO STRUCTURES & LOGISTICS LTD.
 ALL RIGHTS RESERVED
 THESE DRAWINGS CONTAIN CONFIDENTIAL INFORMATION AND ARE THE PROPERTY OF ATCO STRUCTURES & LOGISTICS LTD. THEY SHALL BE HELD IN STRICTEST CONFIDENCE AND CANNOT BE USED, COPIED, REPRODUCED, DISCLOSED, PUBLISHED, DISTRIBUTED OR OTHERWISE EXPLOITED, IN ANY FORM OR MANNER, IN WHOLE OR IN PART, FOR ANY REASON OTHER THAN THE REASON FOR WHICH THEY WERE PROVIDED TO YOU BY ATCO STRUCTURES & LOGISTICS LTD. WITHOUT THE EXPRESS WRITTEN CONSENT OF ATCO STRUCTURES & LOGISTICS LTD.
 11x17 SHEET - DO NOT PRINT TO OTHER SCALE

FOR PERMIT

REV.	DATE	DESCRIPTION	BY	CHK/APR
B	2024-06-03	ISSUED FOR STATE APPROVAL	OS	KG
A	2024-05-23	ISSUED FOR REVIEW	OS	

PROJECT:	28x64 CLASSROOM w/o WASHROOM
CLIENT:	KCDA

DRAWING TITLE:		SYMBOL LEGENDS & GENERAL NOTES		
PROJECT NO:	DRAWING NO:	REV. #		
1106442-A	EM002	B		



PRPF20241231

1 FFL 1 - E - POWER & SYSTEMS
3/16" = 1'-0"

ELECTRICAL EQUIPMENT SCHEDULE

Panel Name	Manufacturer	Model	Bussing	# CCT's	Mounting	Description
LP-A	EATON CUTLER HAMMER	BRP24B200	200	30	Flush	PANELBOARD, RECESSED

City of Puyallup
Development & Permitting Services
ISSUED PERMIT

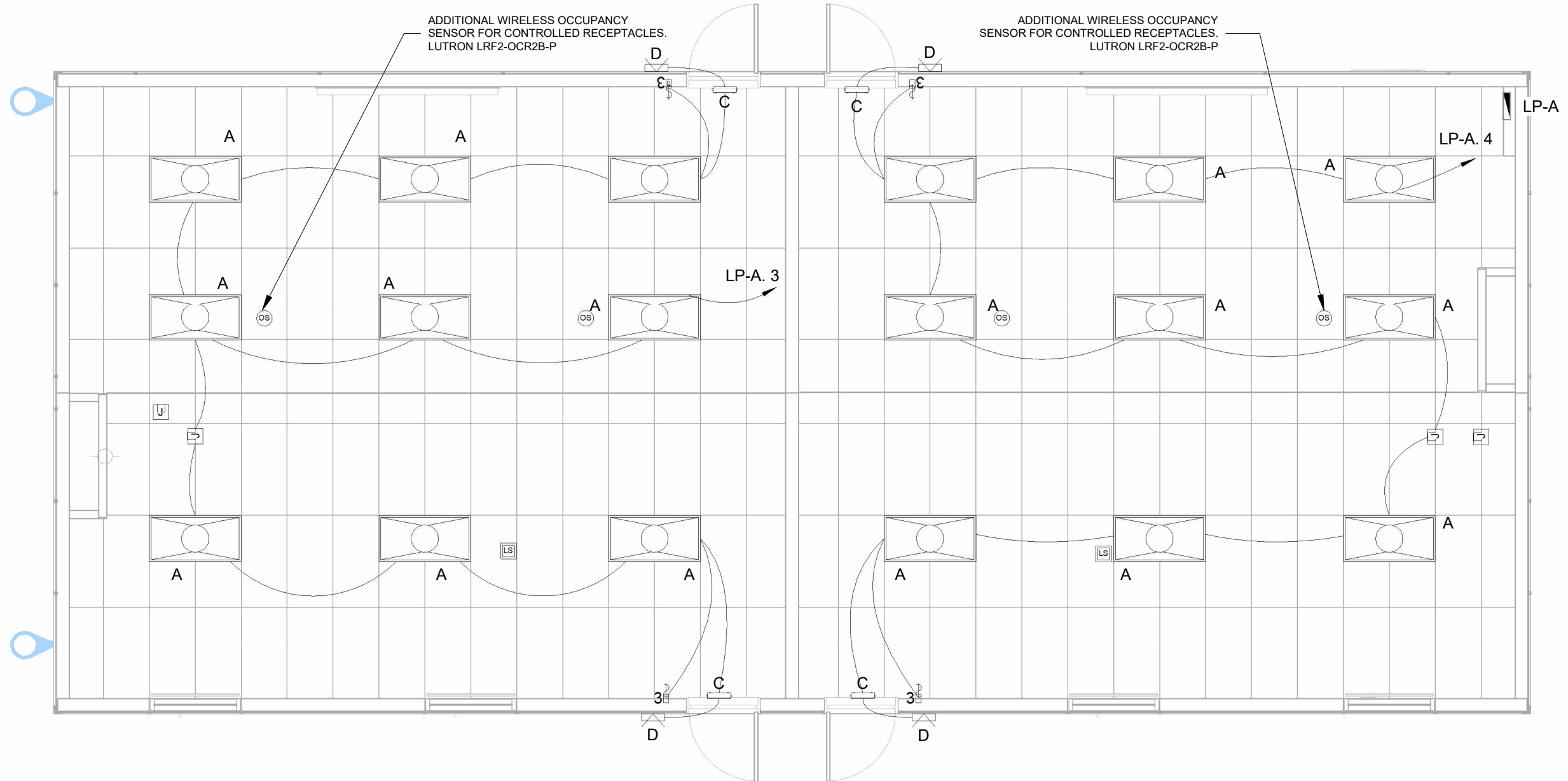
Building	Planning
Engineering	Public Works
Fire	Traffic



KEY PLAN

101
102

	© 2024 ATCO STRUCTURES & LOGISTICS LTD. ALL RIGHTS RESERVED. THESE DRAWINGS CONTAIN CONFIDENTIAL INFORMATION AND ARE THE PROPERTY OF ATCO STRUCTURES & LOGISTICS LTD. THEY SHALL BE HELD IN STRICTEST CONFIDENCE AND CANNOT BE USED, COPIED, REPRODUCED, DISCLOSED, PUBLISHED, DISTRIBUTED OR OTHERWISE EXPLOITED, IN ANY FORM OR MANNER, IN WHOLE OR IN PART, FOR ANY REASON OTHER THAN THE REASON FOR WHICH THEY WERE PROVIDED TO YOU BY ATCO STRUCTURES & LOGISTICS LTD. WITHOUT THE EXPRESS WRITTEN CONSENT OF ATCO STRUCTURES & LOGISTICS LTD. 11x17 SHEET - DO NOT PRINT TO OTHER SCALE	FOR PERMIT							PROJECT:	DRAWING TITLE:		
			B 2024-06-03 ISSUED FOR STATE APPROVAL OS KG A 2024-05-23 ISSUED FOR REVIEW OS REV. DATE DESCRIPTION BY CHK/APR	28x64 CLASSROOM w/o WASHROOM KCDA	OVERALL POWER & DATA PLAN - LEVEL 1							
									CLIENT:	PROJECT NO:	DRAWING NO:	REV. #
									1106442-A	EM101	B	

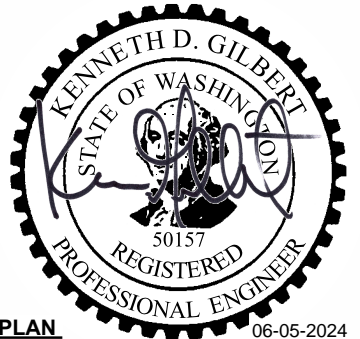


PRPF20241231

1 FFL 1 - E - LIGHTING
3/16" = 1'-0"

City of Puyallup
Development & Permitting Services
ISSUED PERMIT

Building	Planning
Engineering	Public Works
Fire	Traffic



KEY PLAN

101
102

LUMINAIRE SCHEDULE							
TAG	COUNT	MANUFACTURER	MODEL	DESCRIPTION	LAMP COLOUR	WATTAGE	Voltage
A	18	COOPER LIGHTING	24FP4740C	2x4 LED TROFFER FIXTURE	4230 K		
C	4	HUBBELL	CCRRC	EMERGENCY BATTERY PACK			
	2	WATTSTOPPER	DT-355	CEILING MOUNTED OCUPANCY SENSOR			
D	4	AIMLITE	W3I-L GEN 2	WALL LIGHT EXTERIOR			



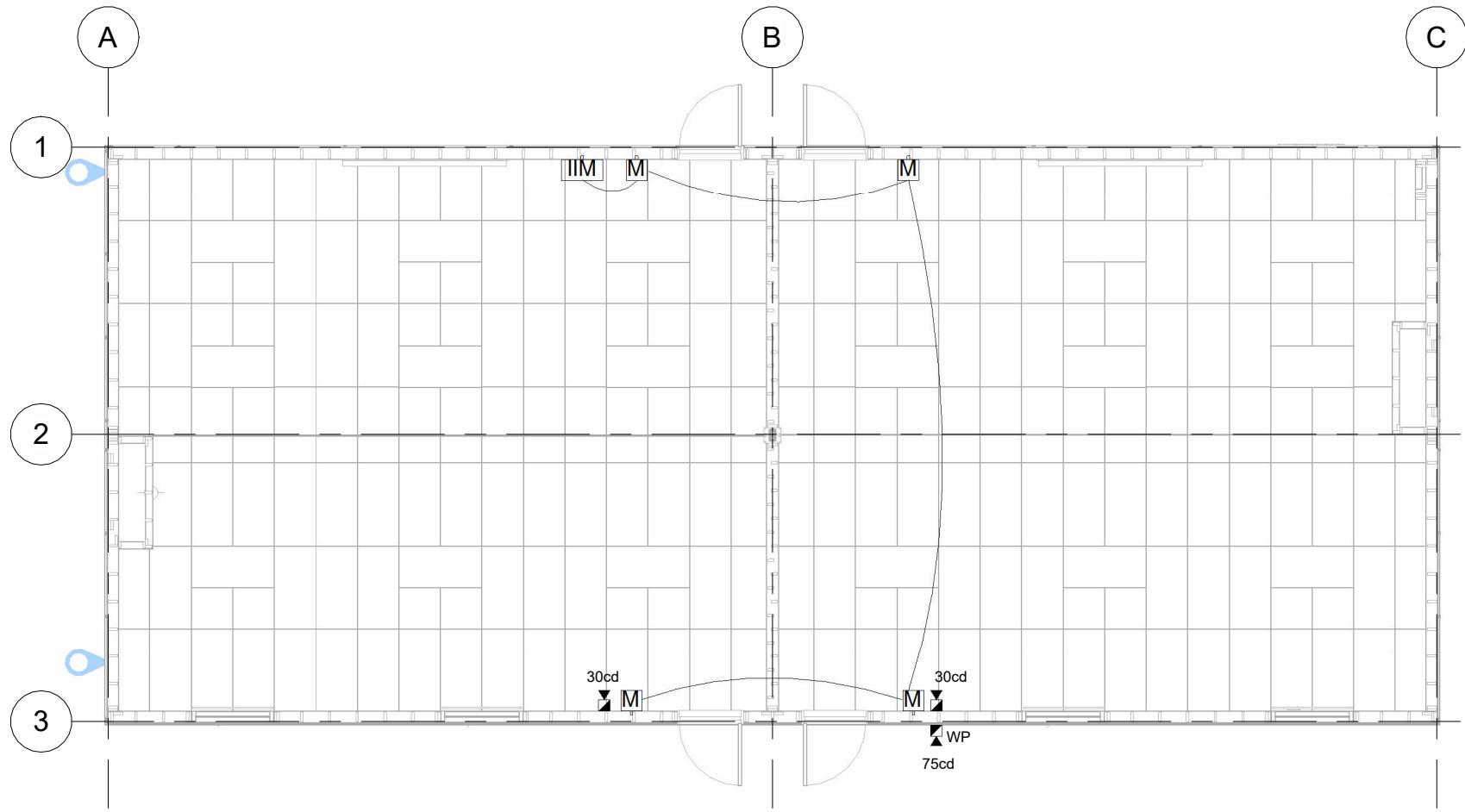
© 2024 ATCO STRUCTURES & LOGISTICS LTD. ALL RIGHTS RESERVED. THESE DRAWINGS CONTAIN CONFIDENTIAL INFORMATION AND ARE THE PROPERTY OF ATCO STRUCTURES & LOGISTICS LTD. THEY SHALL BE HELD IN STRICTEST CONFIDENCE AND CANNOT BE USED, COPIED, REPRODUCED, DISCLOSED, PUBLISHED, DISTRIBUTED OR OTHERWISE EXPLOITED, IN ANY FORM OR MANNER, IN WHOLE OR IN PART, FOR ANY REASON OTHER THAN THE REASON FOR WHICH THEY WERE PROVIDED TO YOU BY ATCO STRUCTURES & LOGISTICS LTD., WITHOUT THE EXPRESS WRITTEN CONSENT OF ATCO STRUCTURES & LOGISTICS LTD.
11x17 SHEET - DO NOT PRINT TO OTHER SCALE

FOR PERMIT

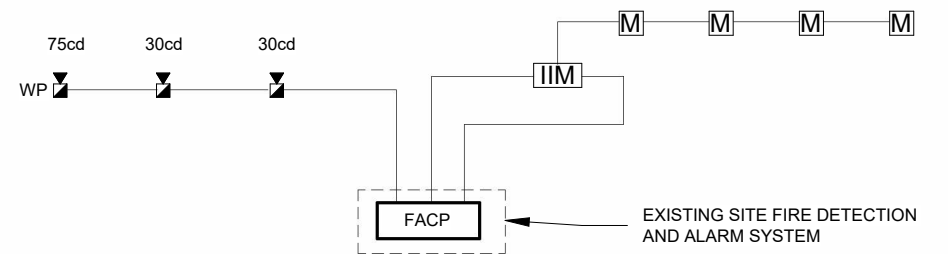
REV.	DATE	DESCRIPTION	BY	CHK/APR
B	2024-06-03	ISSUED FOR STATE APPROVAL	OS	KG
A	2024-05-23	ISSUED FOR REVIEW	OS	

PROJECT: 28x64 CLASSROOM w/o WASHROOM
CLIENT: KCDA

DRAWING TITLE: OVERALL LIGHTING PLAN - LEVEL 1
PROJECT NO: 1106442-A
DRAWING NO: EM201
REV. #: B



1 FFL 1 - E - FIRE ALARM
1/8" = 1'-0"



2 FIRE ALARM RISER DIAGRAM
3/16" = 1'-0"

City of Puyallup
Development & Permitting Services
ISSUED PERMIT

Building	Planning
Engineering	Public Works
Fire	Traffic



KEY PLAN

- 101
- 102

PRPF20241231



© 2024 ATCO STRUCTURES & LOGISTICS LTD.
ALL RIGHTS RESERVED
THESE DRAWINGS CONTAIN CONFIDENTIAL INFORMATION AND ARE THE PROPERTY OF ATCO STRUCTURES & LOGISTICS LTD. THEY SHALL BE HELD IN STRICTEST CONFIDENCE AND CANNOT BE USED, COPIED, REPRODUCED, DISCLOSED, PUBLISHED, DISTRIBUTED OR OTHERWISE EXPLOITED, IN ANY FORM OR MANNER, IN WHOLE OR IN PART, FOR ANY REASON OTHER THAN THE REASON FOR WHICH THEY WERE PROVIDED TO YOU BY ATCO STRUCTURES & LOGISTICS LTD. WITHOUT THE EXPRESS WRITTEN CONSENT OF ATCO STRUCTURES & LOGISTICS LTD.
11x17 SHEET - DO NOT PRINT TO OTHER SCALE

FOR PERMIT

REV.	DATE	DESCRIPTION	BY	CHK/APR
B	2024-06-03	ISSUED FOR STATE APPROVAL	OS	KG
A	2024-05-23	ISSUED FOR REVIEW	OS	

PROJECT: 28x64 CLASSROOM w/o WASHROOM
CLIENT: KCDA

DRAWING TITLE: OVERALL FIRE ALARM PLAN - LEVEL 1
PROJECT NO: 1106442-A
DRAWING NO: EM301
REV. #: B

Panel LP-A

Location: CLASSROOM #2 102
 Unit #: UNIT-101
 Supply From:
 Mounting: Flush
 Enclosure: NEMA 1 Indoor

Volts: 120/240 Single
 Phases: 1
 Wires: 3
 Cable Size: 3C# 3/0 AWG Cu
 Stub Requirements: 2" STUBDOWN

Panel Model #: BRP24B200
 Frame Rating: 200 A
 MCB Rating: 200 A
 MLO Rating: N/A
 Est. Demand Load: 26 kW
 Short Circuit Current: 25 kAIC

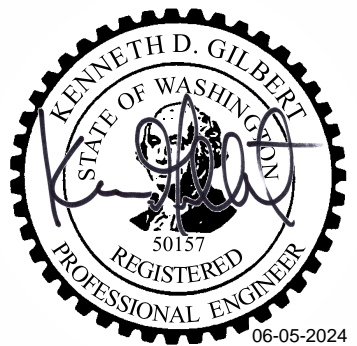
#	Circuit Description	Trip	Ø	A (VA)		B (VA)		Ø	Trip	Circuit Description	#
1	Exterior Receptacle	20 A	1	180	180			1	20 A	Exterior Receptacle	2
3	Lighting	20 A	1			457	457	1	20 A	Lighting	4
5	Receptacle	20 A	1	2160	5000			2	60 A	BARD-1	6
7	Receptacle	20 A	1			1620	5000				8
9	BARD-2	60 A	2	5000	180			1	20 A	Exterior Receptacle	10
11						5000	180	1	20 A	Exterior Receptacle	12
13	Exterior Receptacle	20 A	1	180							14
15	Exterior Receptacle	20 A	1			180					16
17											18
19											20
21											22
23											24
25											26
27											28
29											30
				A		B					
Total Load				12880 VA		12863 VA					
Total Amp				107.3 A		107.2 A					

Notes:

City of Puyallup
 Development & Permitting Services
ISSUED PERMIT

Building	Planning
Engineering	Public Works
Fire	Traffic

PRPF20241231

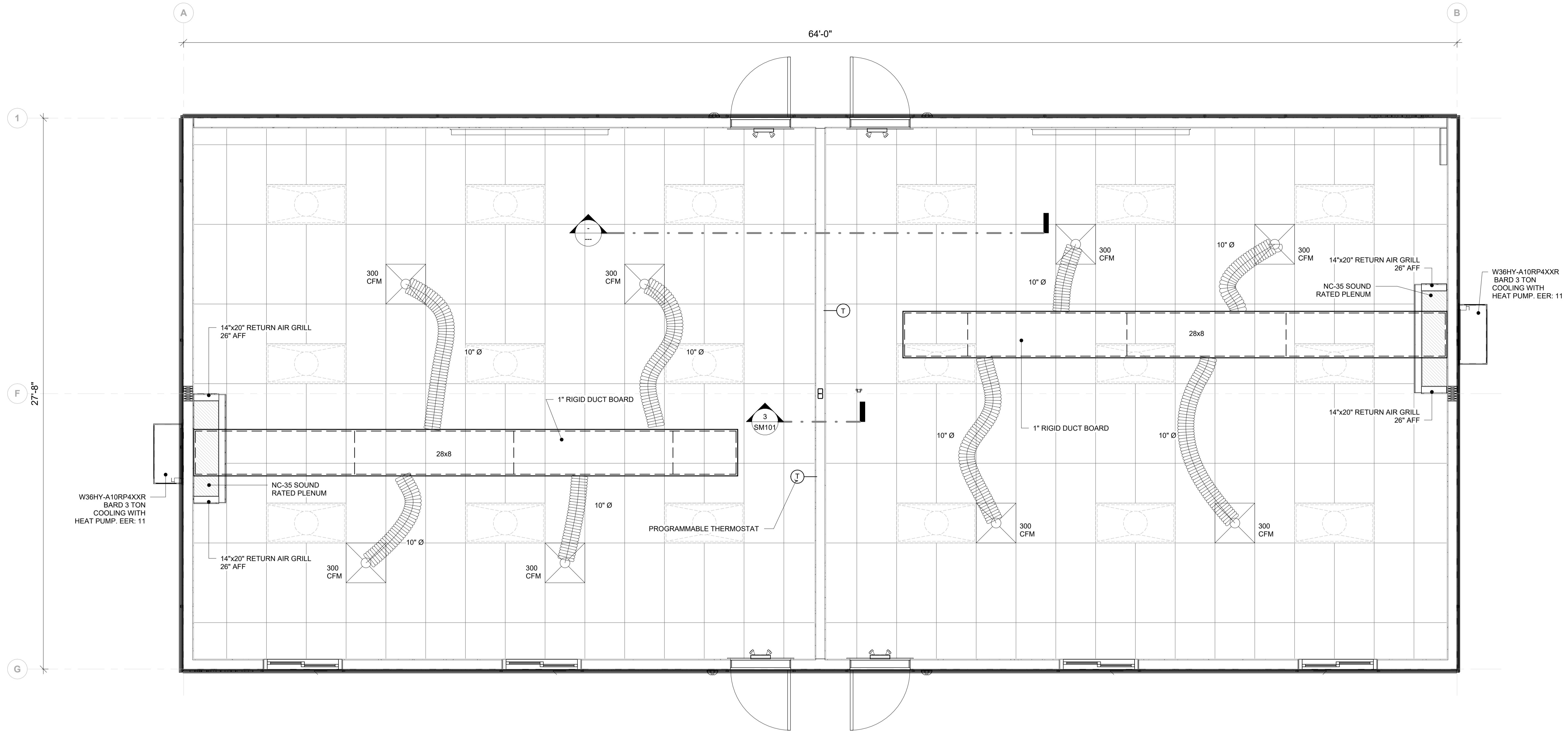


© 2024 ATCO STRUCTURES & LOGISTICS LTD.
 ALL RIGHTS RESERVED
 THESE DRAWINGS CONTAIN CONFIDENTIAL INFORMATION AND ARE THE PROPERTY OF ATCO STRUCTURES & LOGISTICS LTD. THEY SHALL BE HELD IN STRICTEST CONFIDENCE AND CANNOT BE USED, COPIED, REPRODUCED, DISCLOSED, PUBLISHED, DISTRIBUTED OR OTHERWISE EXPLOITED, IN ANY FORM OR MANNER, IN WHOLE OR IN PART, FOR ANY REASON OTHER THAN THE REASON FOR WHICH THEY WERE PROVIDED TO YOU BY ATCO STRUCTURES & LOGISTICS LTD., WITHOUT THE EXPRESS WRITTEN CONSENT OF ATCO STRUCTURES & LOGISTICS LTD.
 11x17 SHEET - DO NOT PRINT TO OTHER SCALE

FOR PERMIT

REV.	DATE	DESCRIPTION	BY	CHK/APR
A	2024-06-03	ISSUED FOR STATE APPROVAL	OS	KG

PROJECT:	28x64 CLASSROOM w/o WASHROOM	DRAWING TITLE:	PANEL SCHEDULES		
CLIENT:	KCDA	PROJECT NO:	1106442-A	DRAWING NO:	EM600
		REV. #	A		



1 HVAC PLAN
3/8" = 1'-0"

LEGEND	
	THERMOSTAT - FOR CENTRAL HVAC UNIT PROGRAMMABLE - MOUNTED AT 48" AFF
	24"x48" EDGE LIT LED (LAY-IN) (FLAT PANEL) LIGHT FITTURE w/DIFFUSER - 40W RATED - COOPER - 24CGTS-L3C3
	24"x24" LAY-IN CEILING DIFFUSER.

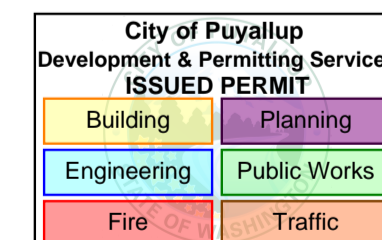
2 HVAC LEGEND
3/8" = 1'-0"

VENTILATION REQUIREMENTS:

MAXIMUM 450 CFM PER AHU

$[(825 \text{ SQFT} \times .12 \text{ CFM} / \text{SQFT}) + (26 \text{ PPL} \times 10 \text{ CFM} / \text{PER})] / .80 = 449 \text{ CFM}$

OCCUPANT LOAD: 26 PEOPLE PER CLASSROOM



PRPF20241231



© 2022 ATCO STRUCTURES & LOGISTICS LTD. ALL RIGHTS RESERVED. THESE DRAWINGS CONTAIN CONFIDENTIAL INFORMATION AND ARE THE PROPERTY OF ATCO STRUCTURES & LOGISTICS LTD. THEY SHALL BE HELD IN STRICTEST CONFIDENCE AND CANNOT BE USED, COPIED, REPRODUCED, DISCLOSED, PUBLISHED, DISTRIBUTED OR OTHERWISE EXPLOITED, IN ANY FORM OR MANNER, IN WHOLE OR IN PART, FOR ANY REASON OTHER THAN THE REASON FOR WHICH THEY WERE PROVIDED TO YOU BY ATCO STRUCTURES & LOGISTICS LTD. WITHOUT THE EXPRESS WRITTEN CONSENT OF ATCO STRUCTURES & LOGISTICS LTD.

24x36 SHEET - DO NOT PRINT TO OTHER SCALE

FOR PERMIT

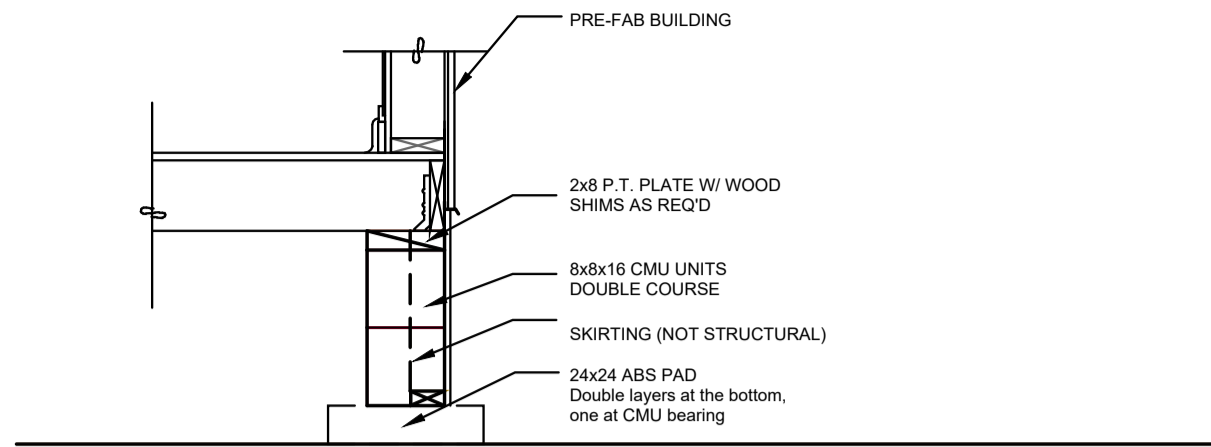


By Yuri at 12:06:35 AM, 5/15/2024
[Structural Aspects Only]
MEP Dead Weights, Seismic/Wind Loads, Supports, Anchors & Hole Penetrations.

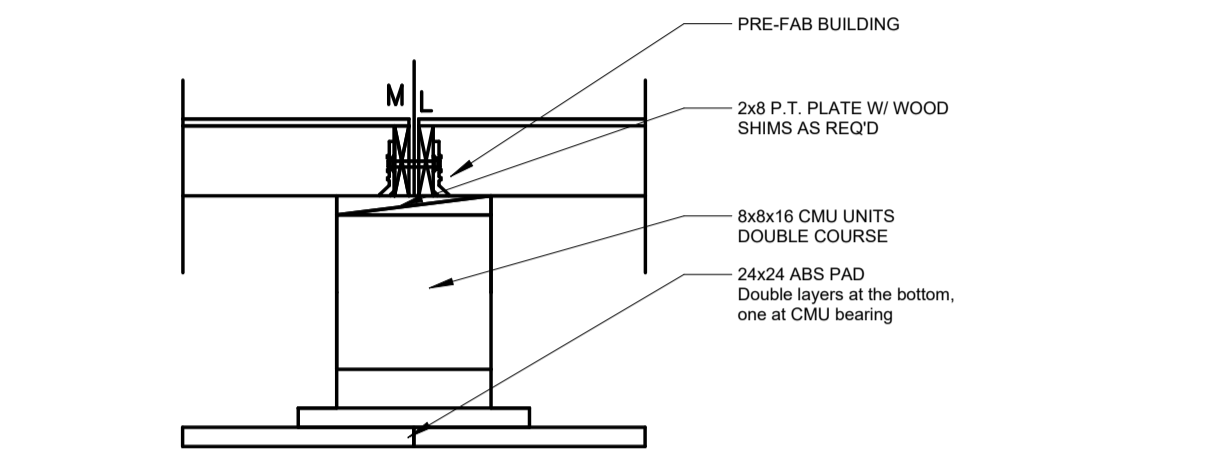
REV.	DATE	ISSUED FOR PERMIT	DESCRIPTION	GM	BY	CHK/APR
1	2024-04-17	ISSUED FOR PERMIT				

PROJECT:	28x64 CLASSROOM
CLIENT:	ATCO STRUCTURES AND LOGISTICS

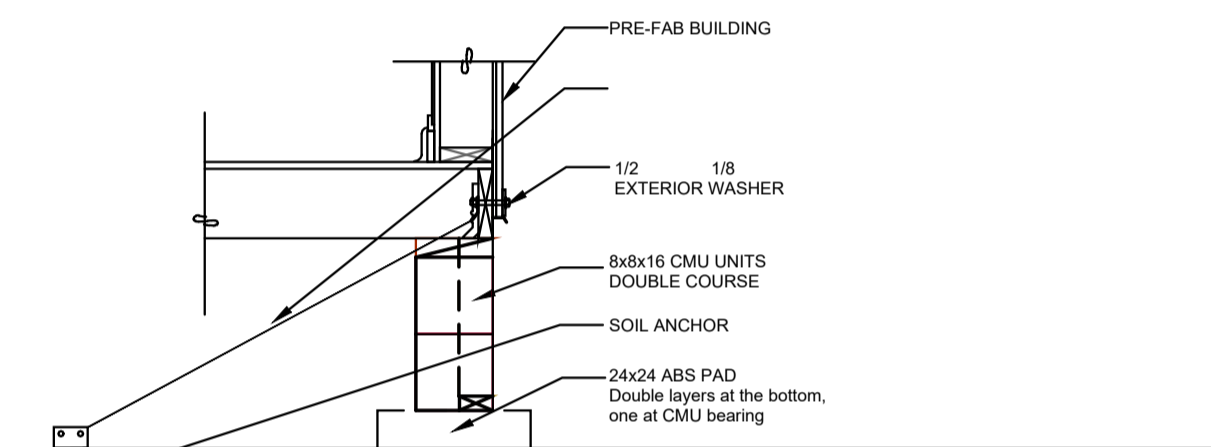
DRAWING TITLE:	OVERALL HVAC PLAN
PROJECT NO:	1106442-A
DRAWING NO:	MM101
REV. #	1



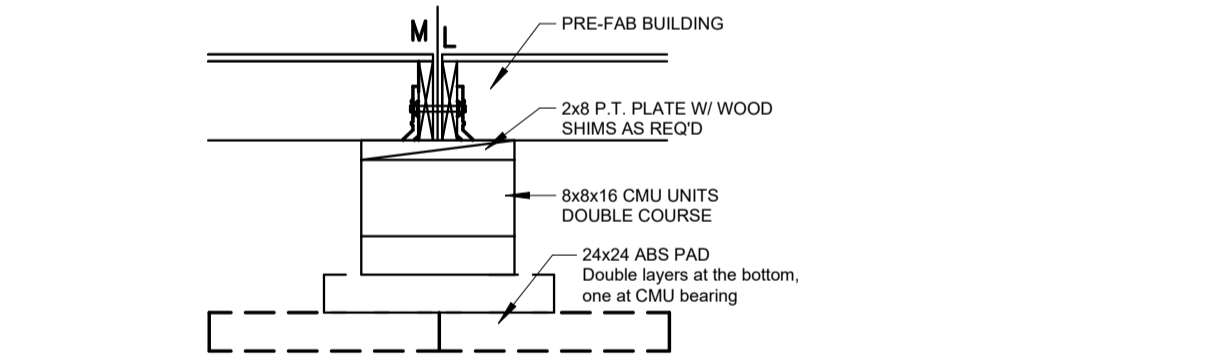
2 PERIMETER SUPPORT
1:20



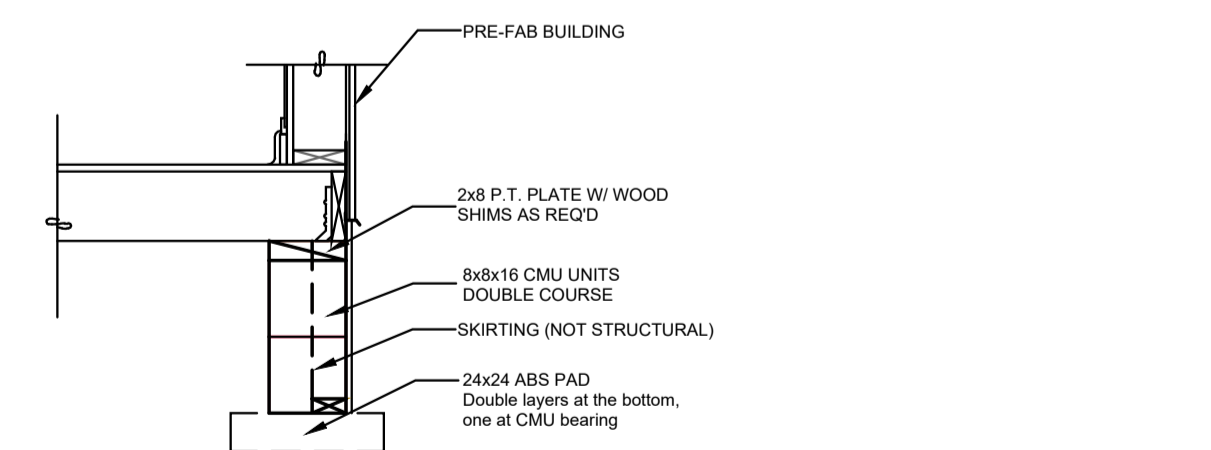
3 MATELINE SUPPORT
1:20



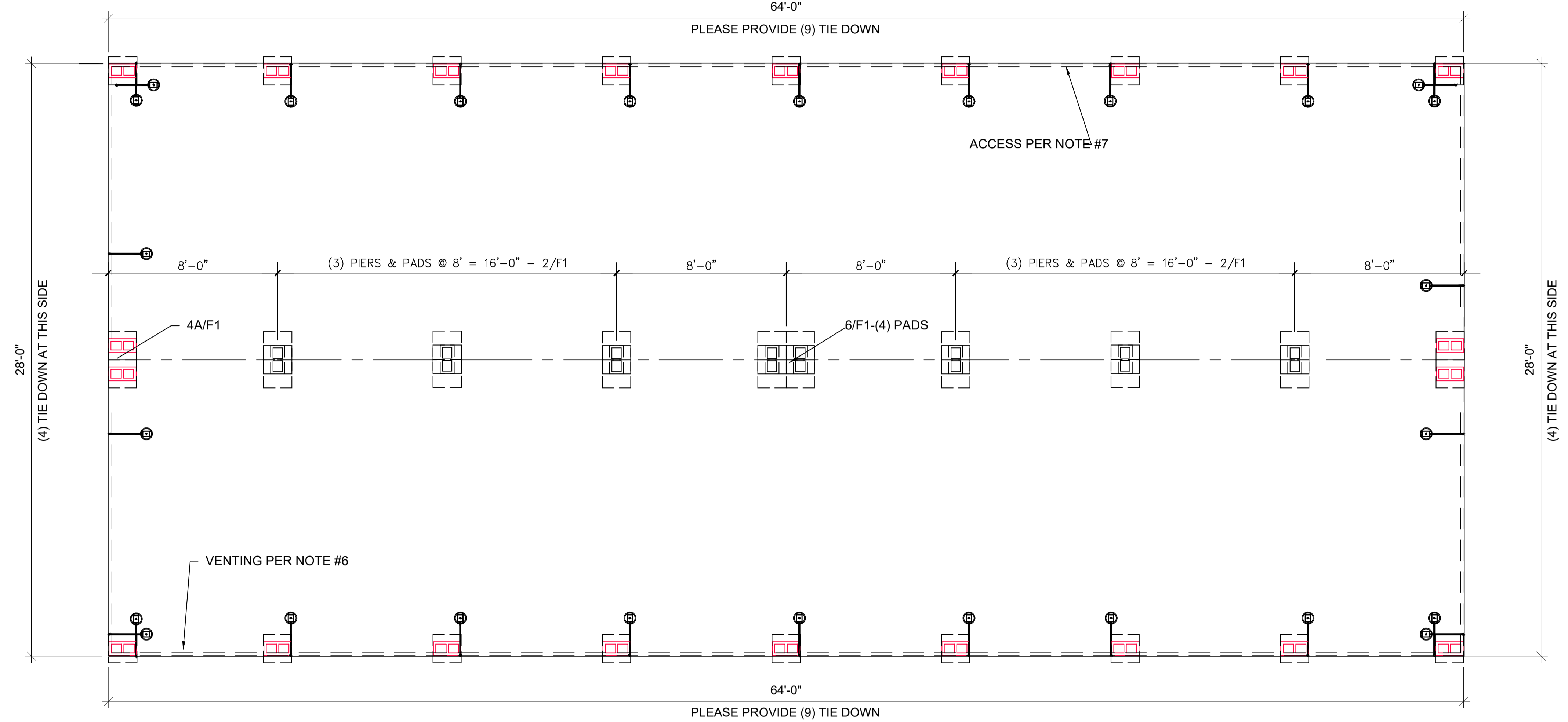
4 SOIL ANCHOR
1:20



5 INTERIOR COLUMN SUPPORT
1:20



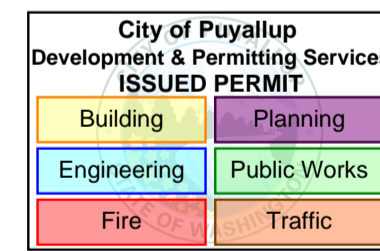
6 EXTERIOR MATELINE SUPPORT
1:20



1 FOUNDATION PLAN
1:40

STRUCTURAL NOTES

1. GENERAL:
 - 1.1. BUILDING DIMENSIONS FROM THE MODULAR BUILDING MANUFACTURERS MAY VARY AND INSIGNIFICANT ADJUSTMENTS MAY BE MADE IN THE FIELD.
 - 1.2. ANY VARIATION IN INSTALLATION OR MATERIALS OF THE FOUNDATION REQUIRES ENGINEER CONCURRENCE PRIOR TO PURCHASE AND INSTALLATION OF THE FOUNDATION MATERIALS.
 - 1.3. A GEOTECHNICAL REPORT WAS NOT PROVIDED FOR THIS DESIGN. IBC MINIMUM VALUES FOR SOIL BEARING WAS USED. VERIFY BEARING CAPACITY WITH LOCAL BUILDING OFFICIAL PRIOR TO INSTALLATION. OWNER IS RESPONSIBLE FOR PROVIDING A STABLE, LEVEL AND SMOOTH SUBGRADE.
2. DESIGN INFORMATION & LOADING:
 - 2.1. BUILDING CODE
 - 2.1.1. IBC, 2018 EDITION & OSSC-2019
 - 2.1.2. BUILDING RISK CATEGORY II
 - 2.2. ROOF LIVE LOADS:
 - 2.2.1. 45 PSF-GROUND SNOW LOAD
 - 2.2.2. 45 PSF-ROOF DESIGN SNOW LOAD
 - 2.2.3. 20 PSF-ROOF DESIGN LIVE LOAD
 - 2.3. FLOOR LIVE LOAD: CLASSROOM
 - 2.3.1. 40 PSF UNIFORM
 - 2.3.2. 1,000# CONCENTRATED
 - 2.4. WIND CRITERION:
 - 2.4.1. Vult=130 MPH, Vasd=101 MPH, EXP C, Kzt=1.0
 - 2.5. SEISMIC CRITERION: Sds=1.398, S1=0.486, Ie=1.0, SEISMIC CATEGORY, D
 - 2.6. ASSUMED SOIL BEARING: 2,000 PSF, ASSUMED SITE SOIL CLASS D-DEFACED
3. CONCRETE: (16"x16"x4", MIN. PRECAST BEARING PADS)
 - 3.1. DESIGN COMP. STRENGTH 2,500 PSI
 - 3.2. REINF. YIELD 60 KSI
4. MASONRY:
 - 4.1. 8x16 UNITS ASTM C-90, GRADE N
 - 4.2. UNITS MAY BE 8" &/OR 4" NOMINAL HEIGHT UNITS.
 - 4.3. SET SINGLE DRY-STACKED UNITS W/CORES VERTICAL & NO MORE THAN 24-INCHES HIGH, PER PLAN.
 - 4.4. SET DOUBLE ALTERNATING DRY-STACKED UNITS W/CORES VERTICAL & NO MORE THAN 48-INCHES HIGH, PER PLAN.
 - 4.5. SET DOUBLE ALTERNATING DRY-STACKED UNITS W/CORES VERTICAL. CELLS GROUTED TO WITHIN (3) UNITS FROM TOP, NO MORE THAN 72-INCHES HIGH, PER PLAN. IF HIGHER THAN 72-INCHES A SPECIAL STRUCTURAL REVIEW IS REQUIRED.
5. WOOD:
 - 5.1. ALL WOOD MEMBERS OF THE FOUNDATION SYSTEM SHALL BE SPF-STD OR BETTER, UNLESS NOTED OTHERWISE.
 - 5.2. ALL WOOD IN CONTACT WITH SOIL, ASPHALT, MASONRY, OR CONCRETE SHALL BE PRESSURE TREATED (P.T.), FOR EXPOSURE.
 - 5.3. ALL WOOD WITHIN 6-INCHES OF SUBGRADE TO BE TREATED FOR EXPOSURE AND INSECTS.
 - 5.4. CONNECTORS IN CONTACT WITH P.T. WOOD TO BE HOT-DIPPED GALVANIZED OR STAINLESS STEEL CONNECTORS.
 - 5.5. WOOD BEARING PADS MAY BE SUBSTITUTED FOR 24x24 CONCRETE PADS ONE FOR ONE AND SHALL BE P.T. 2x12-24" LONG, MIN.
6. SPECIALTY ITEMS:
 - 6.1. METAL PIERS TO BE CAPABLE OF SUPPORTING 6,000#
 - 6.2. ABS PADS MAY BE SUBSTITUTED FOR 16x16 CONCRETE PADS ONE FOR ONE AND SHALL BE "BLACK PAD" OR EQUIVALENT, 16"x16", MIN.
 - 6.4. TRANSVERSE & LONGITUDINAL SOIL ANCHORS TO BE MINUTEMAN ANCHORS, MARK 'MMA-35' MODEL '36-XDH', X-DRIVE ANCHORS OR EQUIVALENT W/ A MIN. ALLOWABLE DESIGN LOAD OF 1,800# IN ASPHALT.
 - 6.5. UPLIFT SOIL ANCHORS TO BE MINUTEMAN ANCHORS, MARK 'MMA-92', MODEL '4430 EZDH 3 4' OR 'GW-2 -NC1' AUGER STYLE SOIL ANCHORS W/STABILIZER HEAD OR EQUIVALENT W/ A MIN. ALLOWABLE DESIGN LOAD OF 3,150#. PRE-DRILL ASPHALT AND BASE PRIOR TO INSTALLATION. REFILL DRILLED HOLE.
 - 6.6. COMPLETE FINAL ADJUSTMENT OF TIES TO BUILDING ONLY AFTER BUILDING IS FULLY BLOCKED AND LEVELLED.
 - 6.7. INSTALL ALL SPECIALTY ITEMS PER THE MANUFACTURER'S RECOMMENDATIONS.
7. VENTING:
 - 7.1. IF CRAWLSPACE IS ENCLOSED, PROVIDE UNDER FLOOR VENTILATION AT 1 NET SF OF VENTILATION PER 150 SF OF FLOOR AREA.
 - 7.2. IF A CLASS 1 VAPOR RETARDER IS INSTALLED THE RATIO MAY BE INCREASED TO 11500.
8. ACCESS:
 - 8.1. PROVIDE MINIMUM 18"x24" ACCESS TO THE UNDER FLOOR AREA.
 - 8.2. PROVIDE 18" MIN. CLEARANCE FROM SOIL TO UNDERSIDE OF ANY UNTREATED WOOD MEMBER.
 - 8.3. PROVIDE 12" MIN. CLEARANCE UNDER FROM SOIL TO UNDERSIDE OF ALL BUILDING MEMBERS.
9. SITE CONDITIONS:
 - 9.1. FOUNDATION SUBGRADE TO BE 2-INCH MINIMUM ASPHALT PAVEMENT OVER A MINIMUM OF 4-INCH THICK COMPACTED ROAD-MIX GRAVEL PAD OVER UNDISTURBED NATIVE SUITABLE STABLE SOILS OR STRUCTURAL FILL.



By Yuri at 12:06:36 AM, 5/15/2024



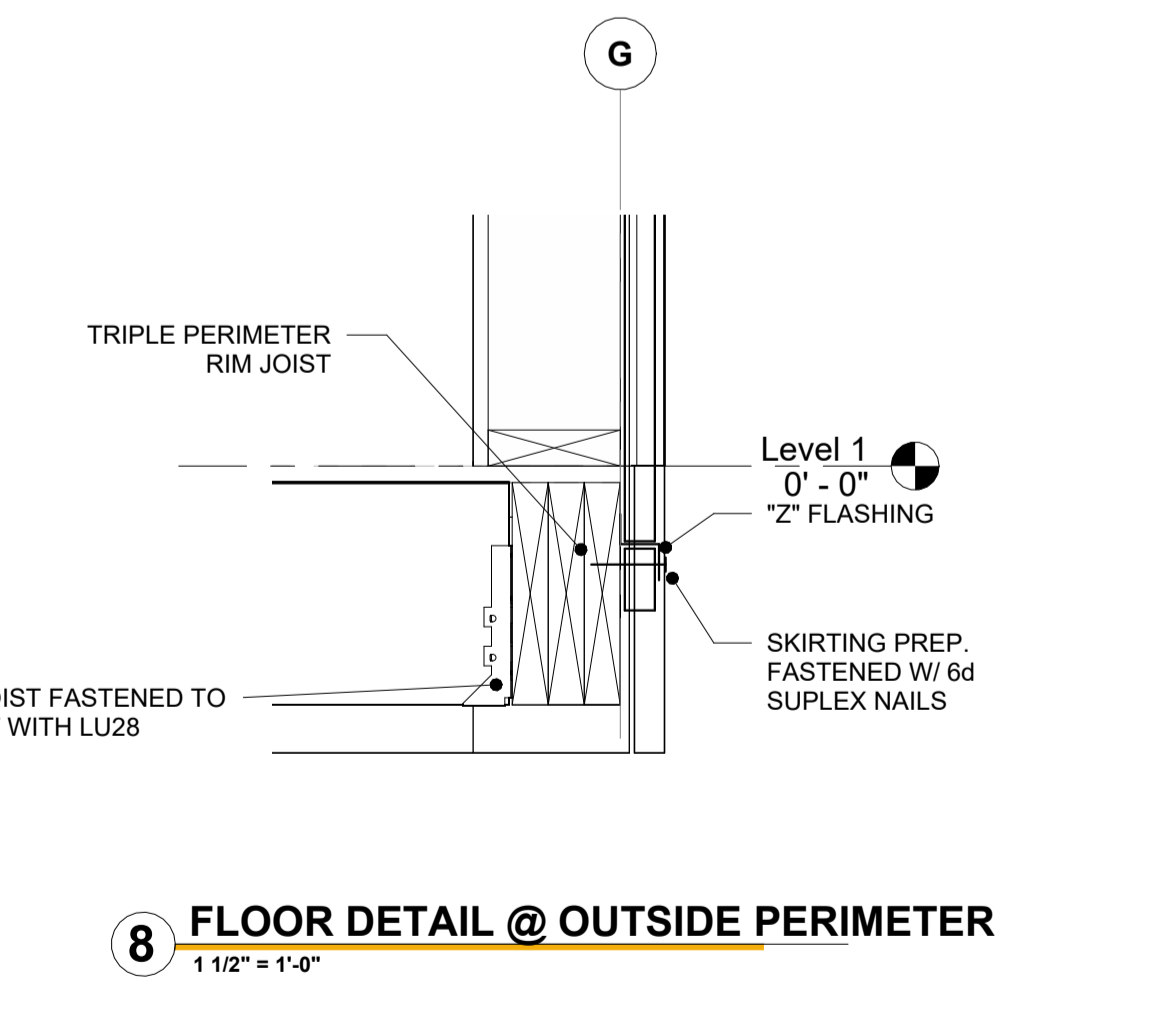
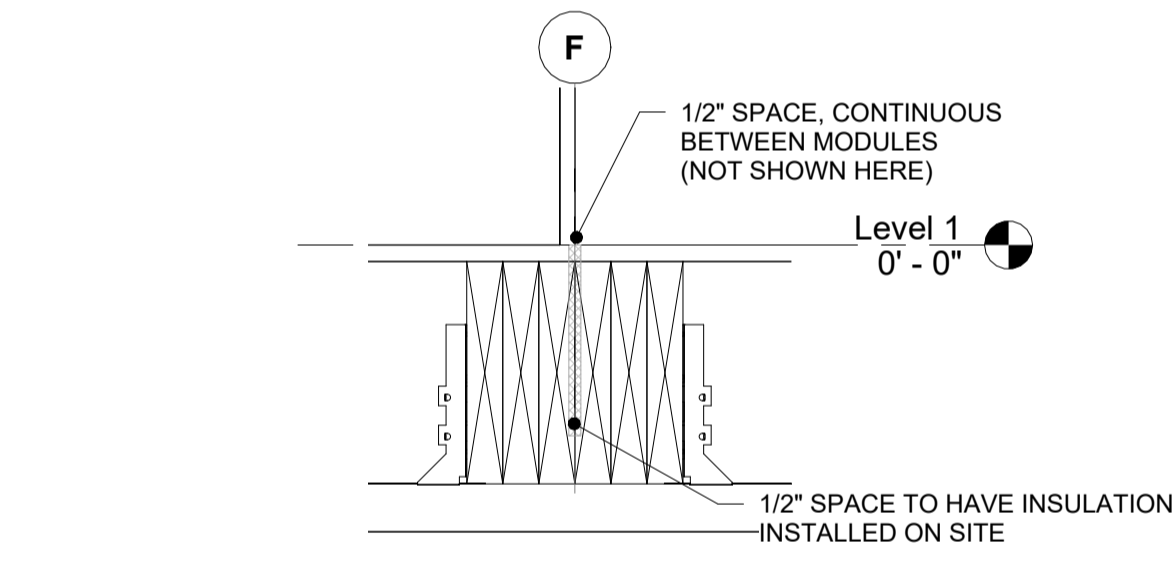
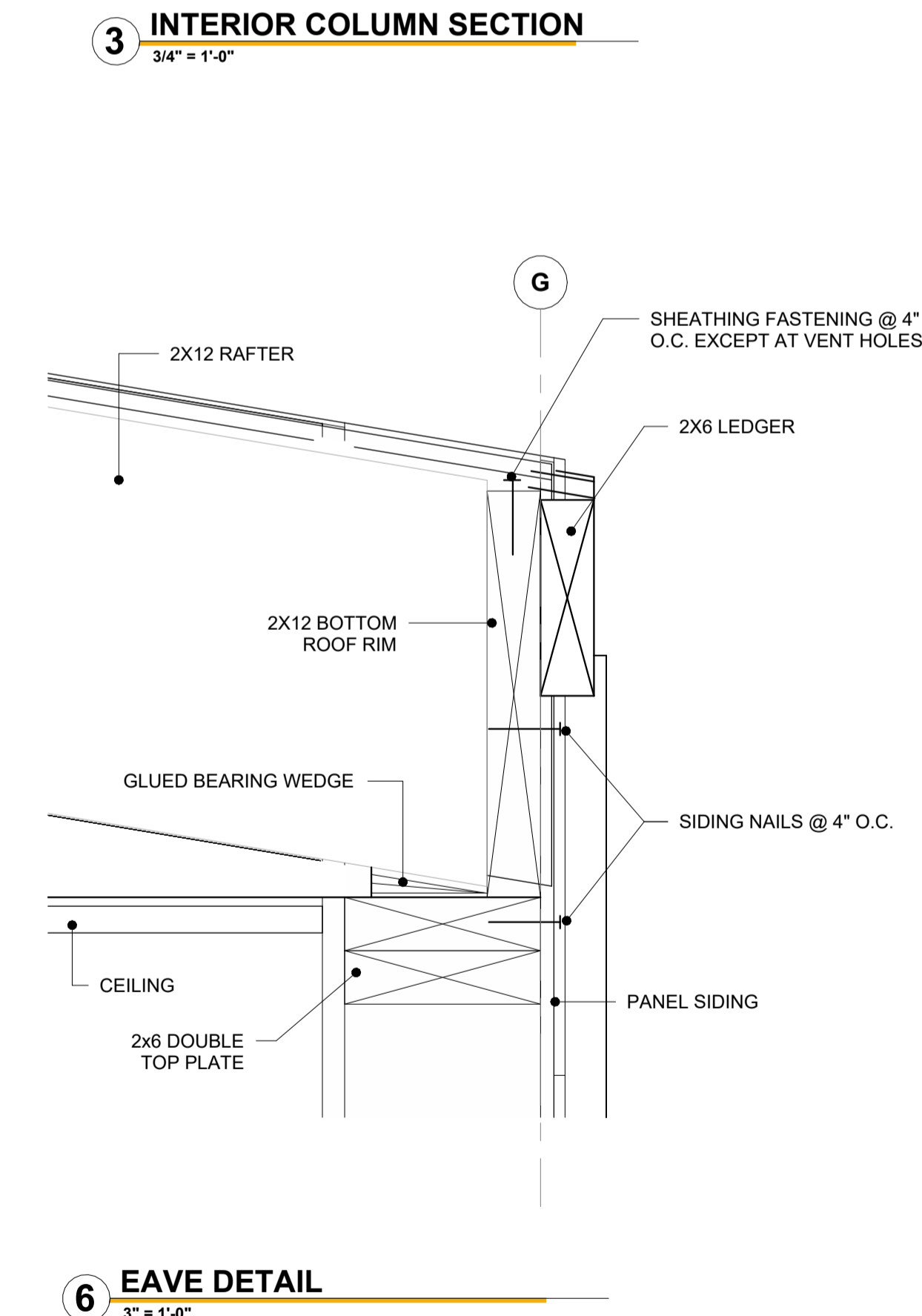
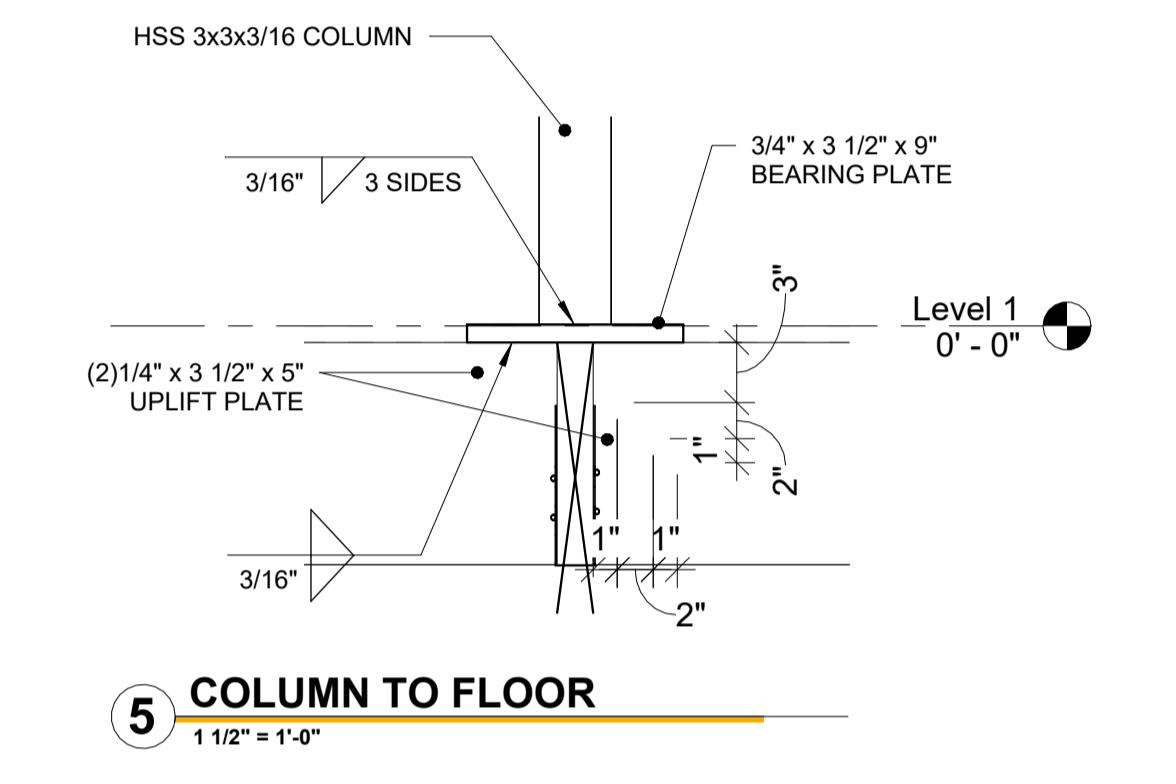
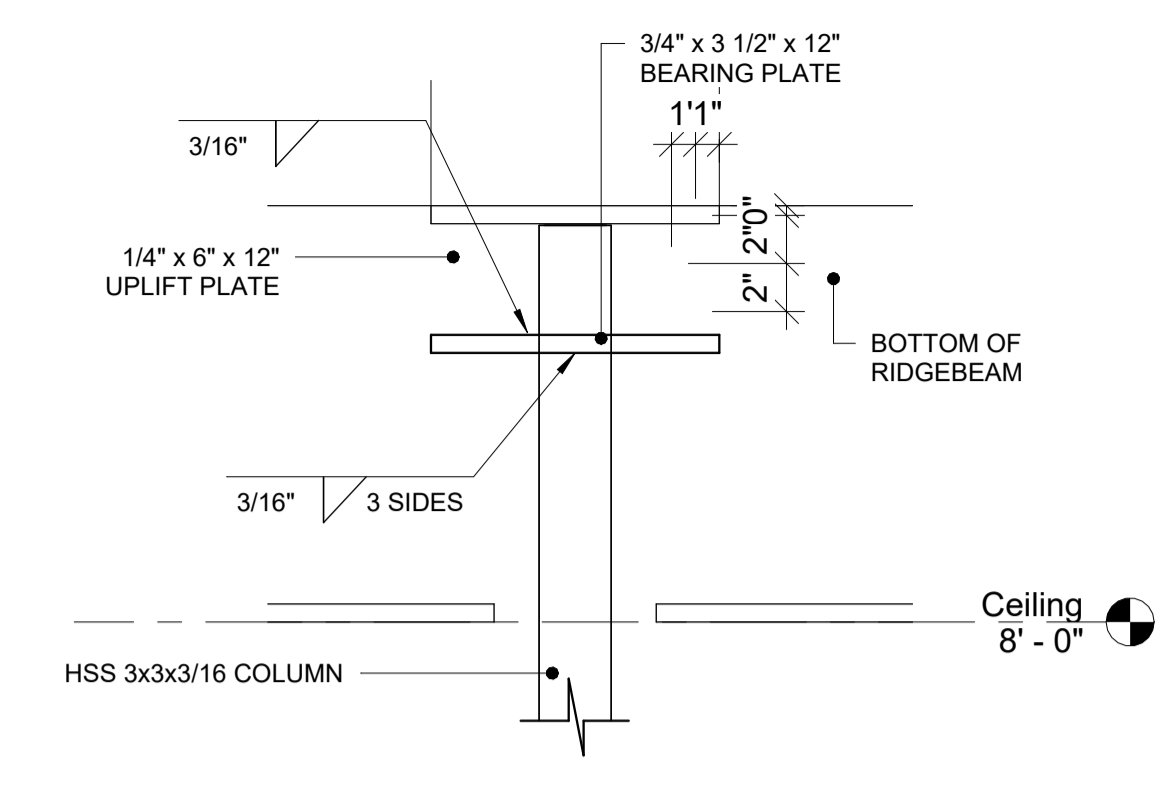
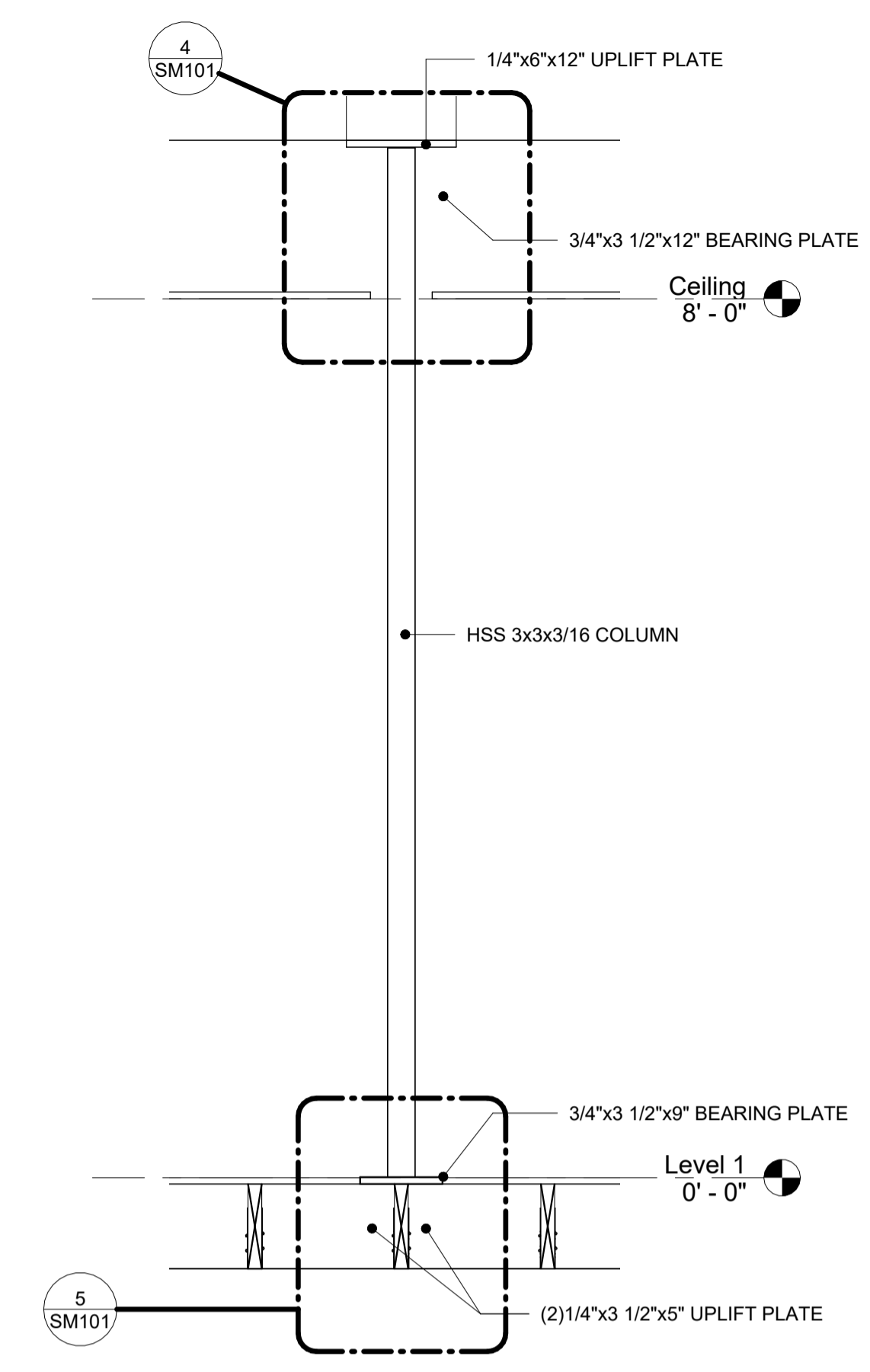
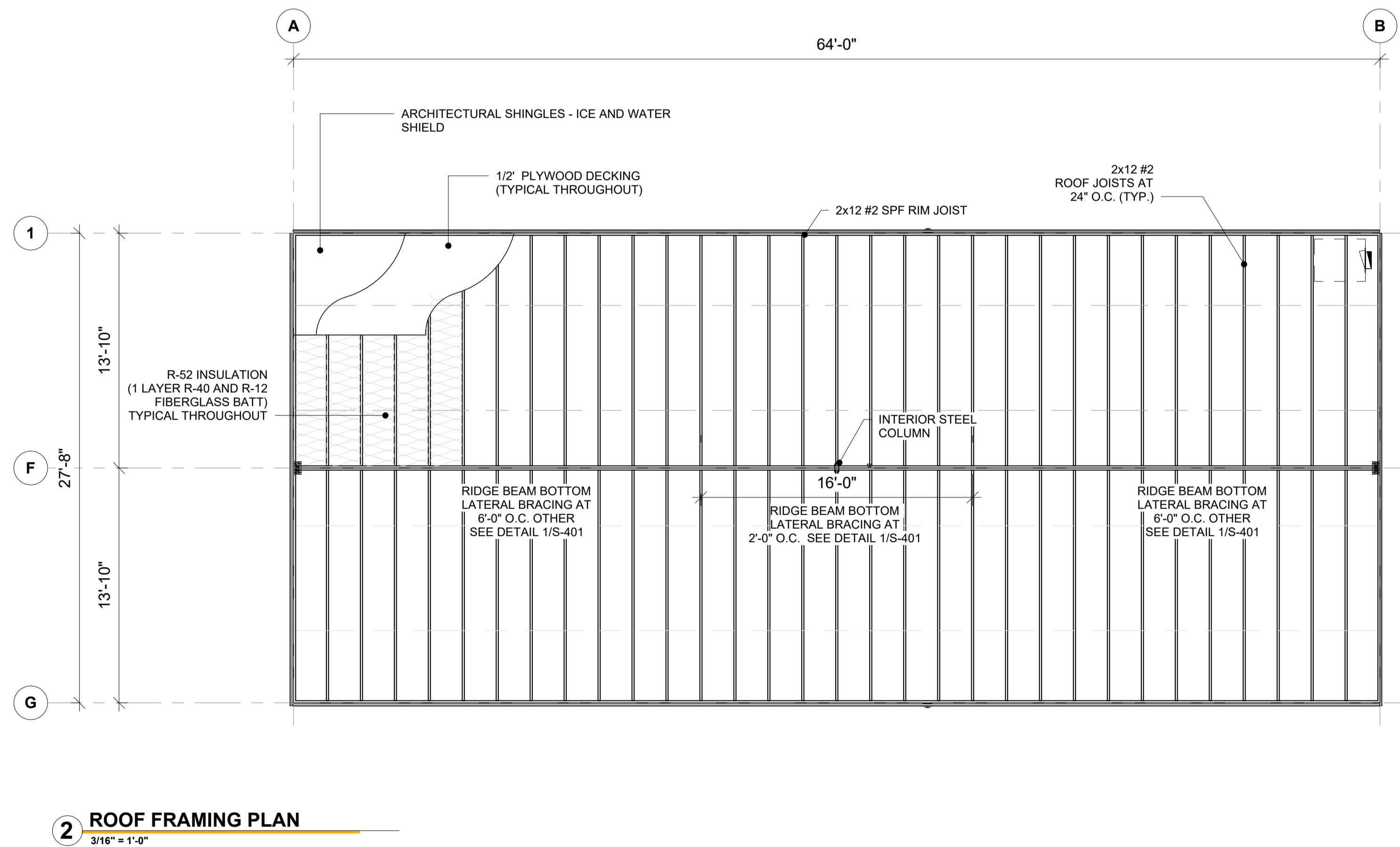
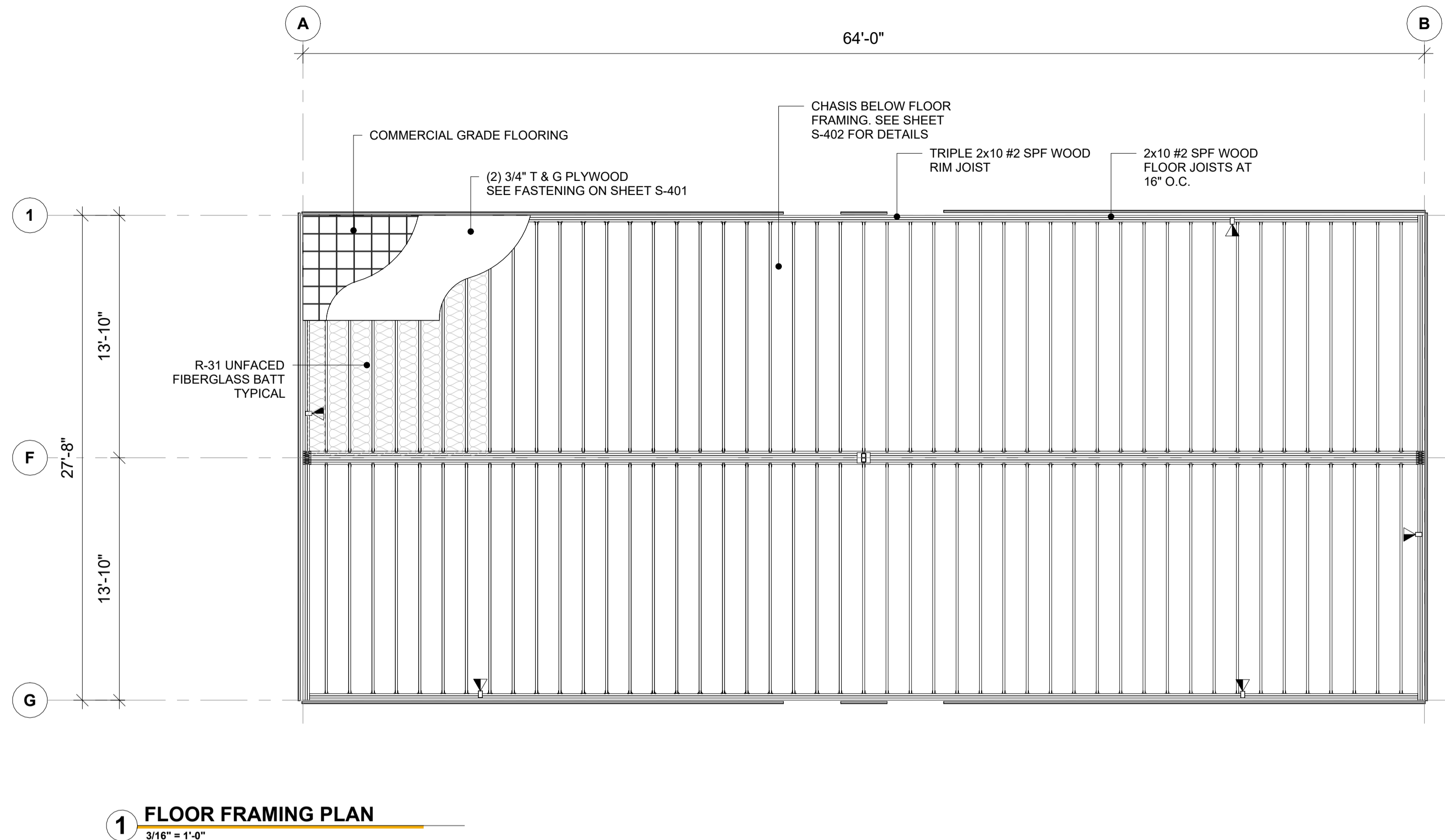
© 2022 ATCO STRUCTURES & LOGISTICS LTD. ALL RIGHTS RESERVED. THESE DRAWINGS CONTAIN CONFIDENTIAL INFORMATION AND ARE THE PROPERTY OF ATCO STRUCTURES & LOGISTICS LTD. THEY SHALL BE HELD IN STRICTEST CONFIDENCE AND CANNOT BE USED, COPIED, REPRODUCED, DISCLOSED, PUBLISHED, DISTRIBUTED OR OTHERWISE EXPLOITED, IN ANY FORM OR MANNER, IN WHOLE OR IN PART, FOR ANY REASON OTHER THAN THE REASON FOR WHICH THEY WERE PROVIDED TO YOU BY ATCO STRUCTURES & LOGISTICS LTD. WITHOUT THE EXPRESS WRITTEN CONSENT OF ATCO STRUCTURES & LOGISTICS LTD.

FOR PERMIT



REV.	DATE	DESCRIPTION	GM BY	CHK/APR
1	2024-04-17	ISSUED FOR PERMIT		

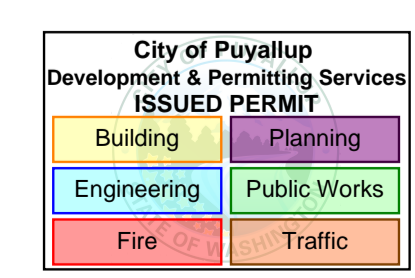
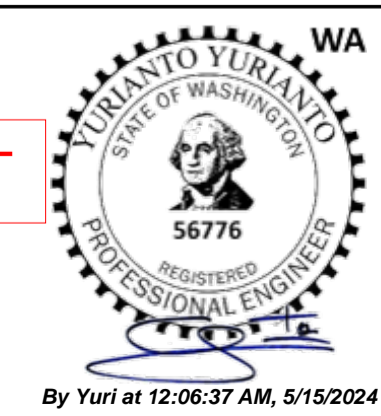
PROJECT:	28x64 CLASSROOM			DRAWING TITLE:	FOUNDATION / CRAWLSPACE PLAN		
CLIENT:	ATCO STRUCTURES AND LOGISTICS			PROJECT NO:	1106442-A	DRAWING NO:	SC100
				REV. #	1		



© 2022 ATCO STRUCTURES & LOGISTICS LTD. ALL RIGHTS RESERVED. THESE DRAWINGS CONTAIN CONFIDENTIAL INFORMATION AND ARE THE PROPERTY OF ATCO STRUCTURES & LOGISTICS LTD. THEY SHALL BE HELD IN STRICTEST CONFIDENCE AND CANNOT BE USED, COPIED, REPRODUCED, DISCLOSED, PUBLISHED, DISTRIBUTED OR OTHERWISE EXPLOITED, IN ANY FORM OR MANNER, IN WHOLE OR IN PART, FOR ANY REASON OTHER THAN THE REASON FOR WHICH THEY WERE PROVIDED TO YOU BY ATCO STRUCTURES & LOGISTICS LTD., WITHOUT THE EXPRESS WRITTEN CONSENT OF ATCO STRUCTURES & LOGISTICS LTD.

24x36 SHEET - DO NOT PRINT TO OTHER SCALE

FOR PERMIT

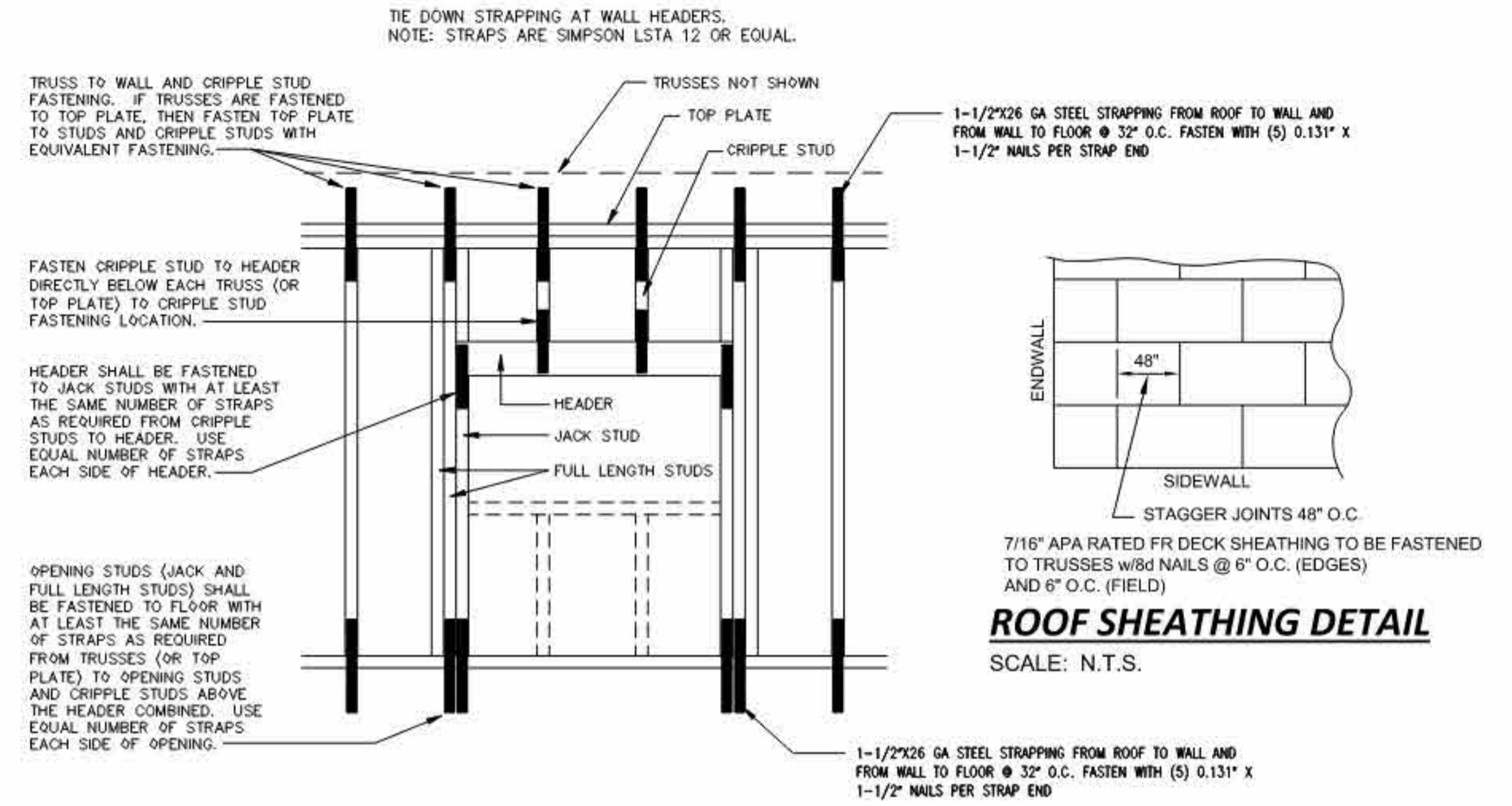
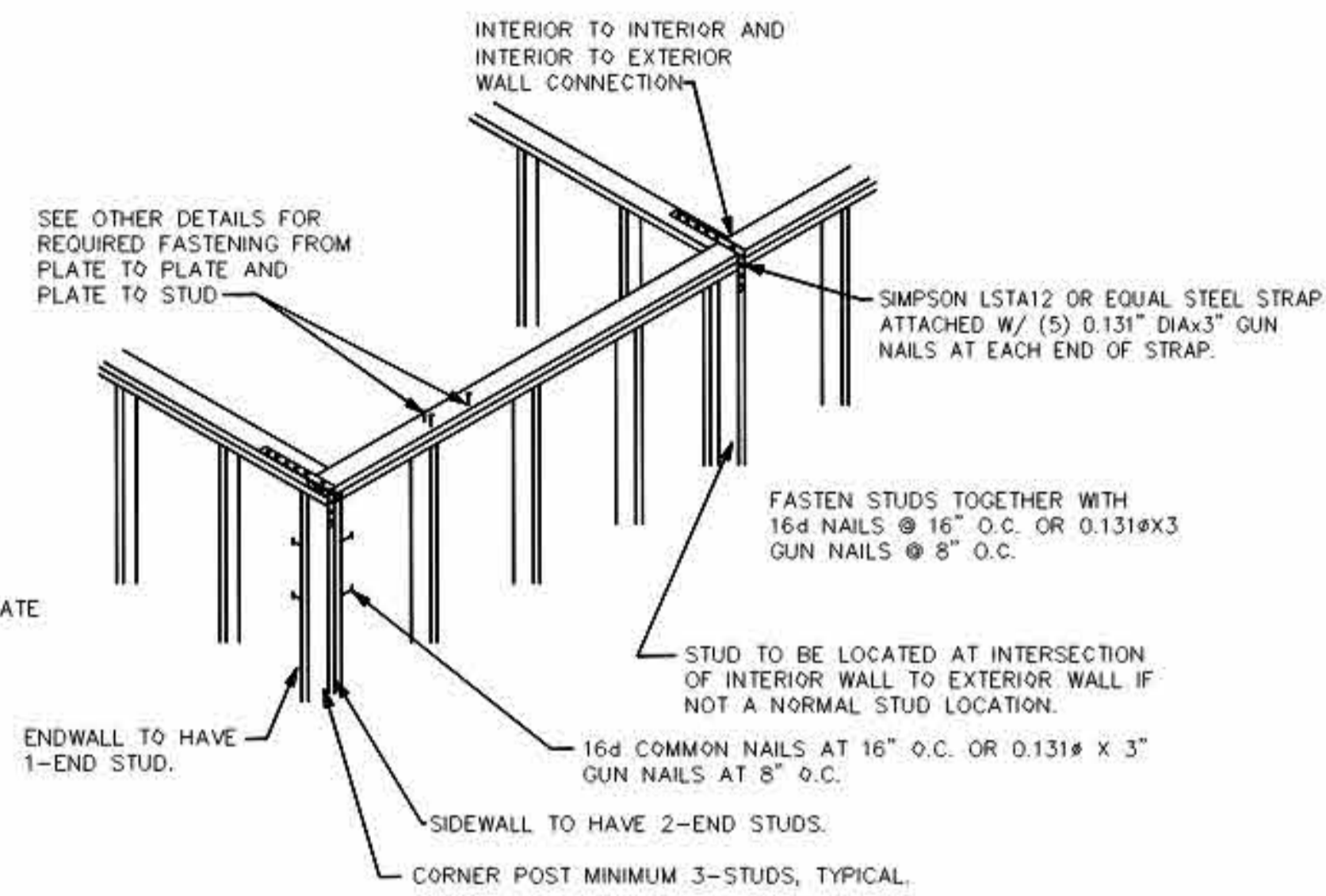
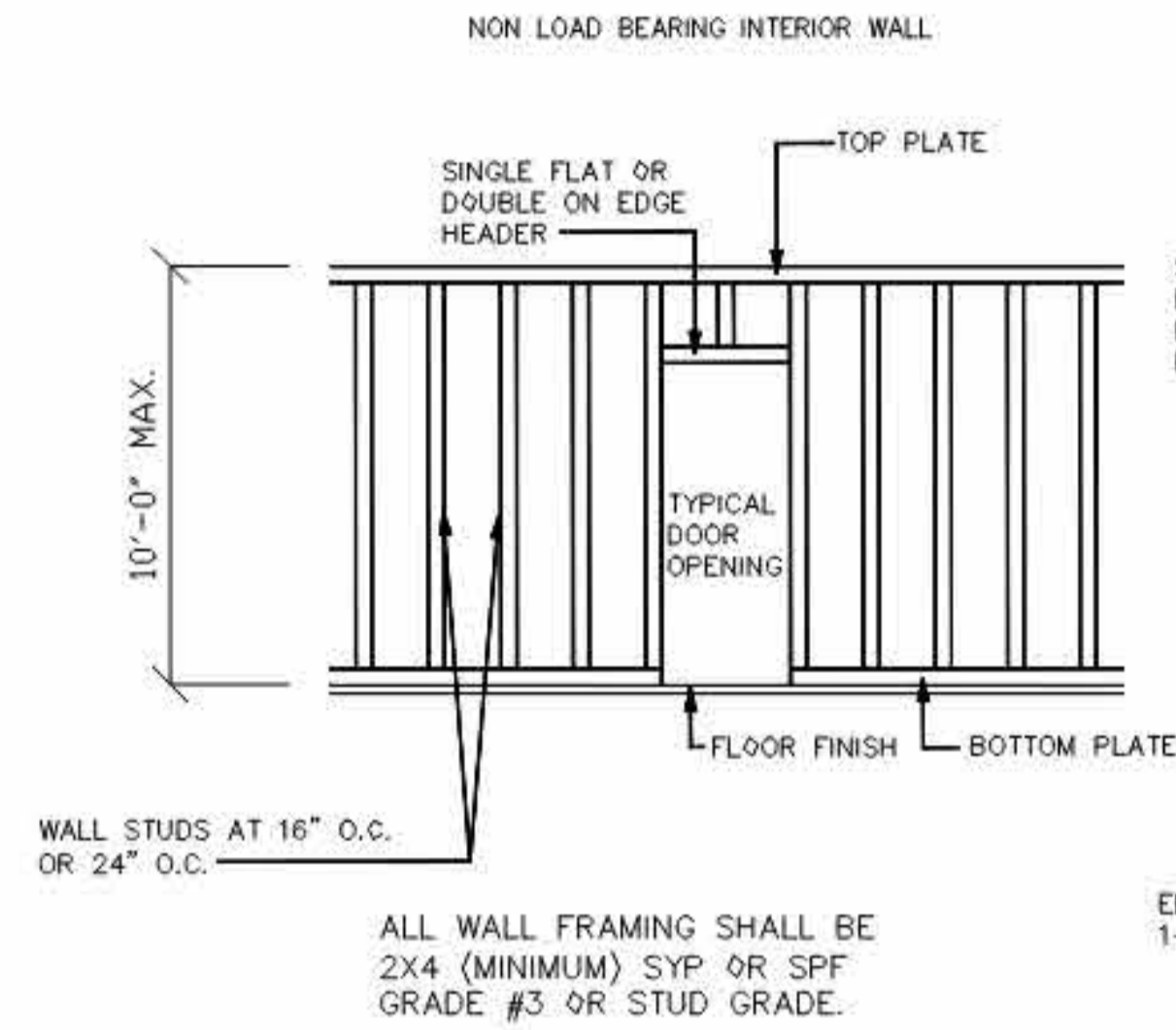


REV.	DATE	DESCRIPTION	GM BY	CHK/APR
1	2024-04-17	ISSUED FOR PERMIT		

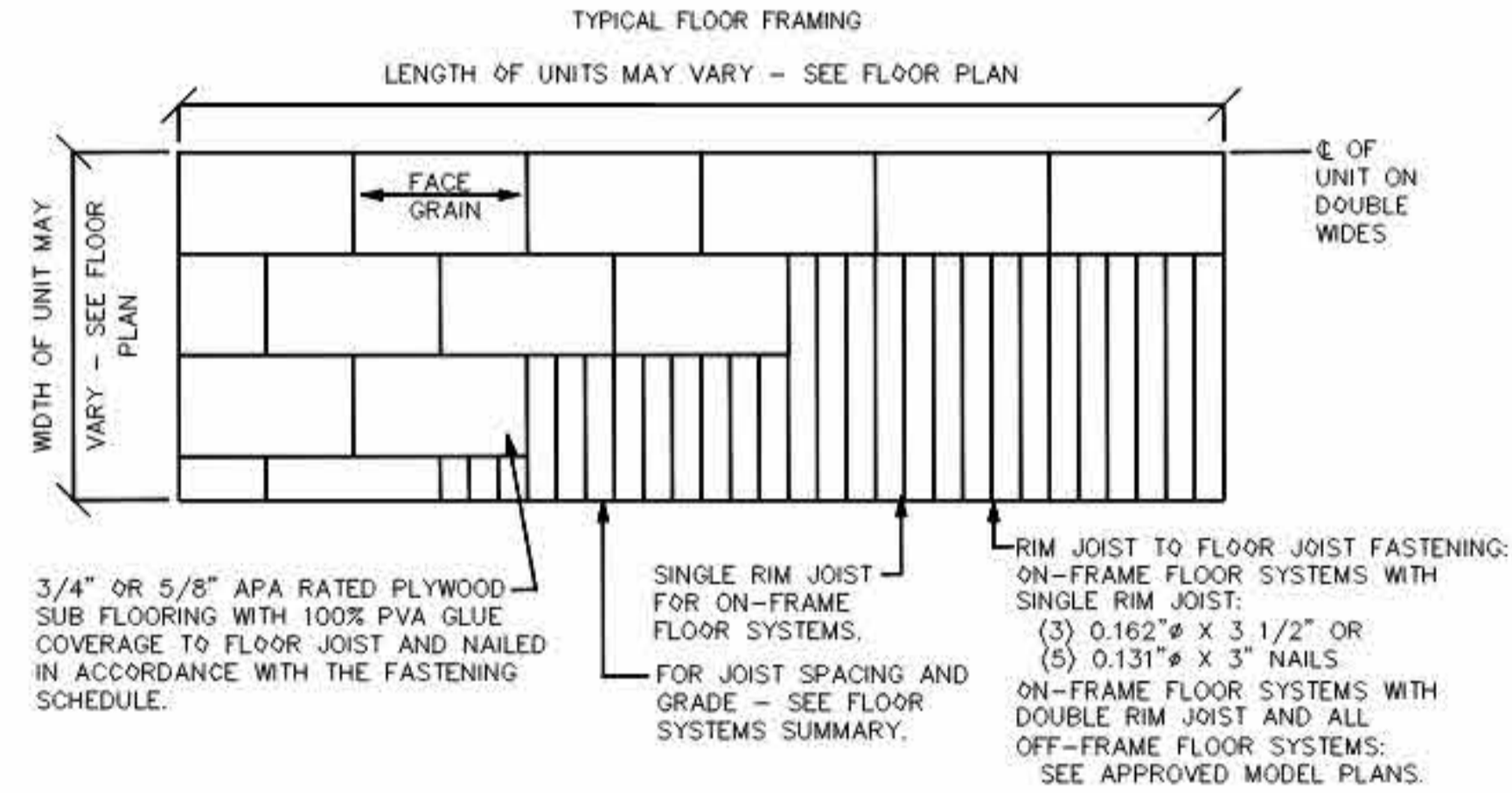
PROJECT:	28x64 CLASSROOM
CLIENT:	ATCO STRUCTURES AND LOGISTICS

DRAWING TITLE:	FLOOR & ROOF FRAMING PLAN
PROJECT NO:	1106442-A
DRAWING NO:	SM101
REV. #	1

PRPF20241231



TYPICAL WALL FRAMING DETAILS



FLOOR DETAILS - SEE SHEET S-101 FOR FLOOR FRAMING

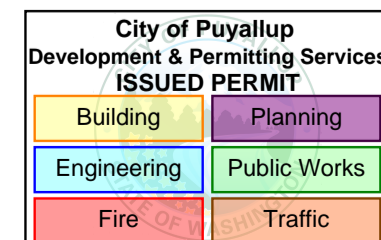
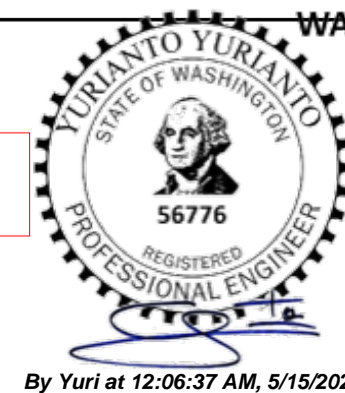
PRPF20241231



© 2022 ATCO STRUCTURES & LOGISTICS LTD. ALL RIGHTS RESERVED. THESE DRAWINGS CONTAIN CONFIDENTIAL INFORMATION AND ARE THE PROPERTY OF ATCO STRUCTURES & LOGISTICS LTD. THEY SHALL BE HELD IN STRICTEST CONFIDENCE AND CANNOT BE USED, COPIED, REPRODUCED, DISCLOSED, PUBLISHED, DISTRIBUTED OR OTHERWISE EXPLOITED, IN ANY FORM OR MANNER, IN WHOLE OR IN PART, FOR ANY REASON OTHER THAN THE REASON FOR WHICH THEY WERE PROVIDED TO YOU BY ATCO STRUCTURES & LOGISTICS LTD. WITHOUT THE EXPRESS WRITTEN CONSENT OF ATCO STRUCTURES & LOGISTICS LTD.

24x36 SHEET - DO NOT PRINT TO OTHER SCALE

FOR PERMIT



REV.	DATE	DESCRIPTION	GM	BY	CHK/APR
1	2024-04-17	ISSUED FOR PERMIT			

PROJECT:	28x64 CLASSROOM			DRAWING TITLE:	STRUCTURAL FOUNDATION DETAILS		
CLIENT:	ATCO STRUCTURES AND LOGISTICS			PROJECT NO:	1106442-A	DRAWING NO:	SM102
				REV. #			1