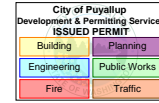
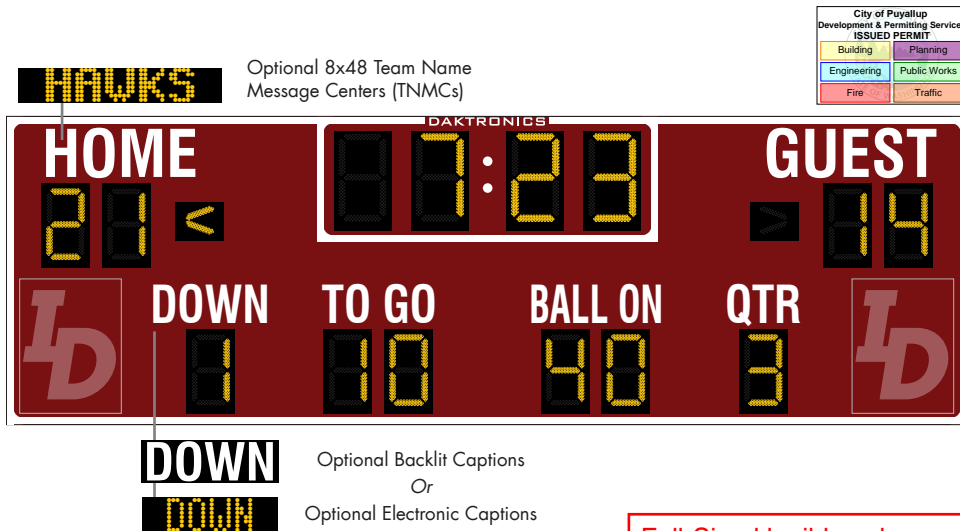


# DAKTRONICS FB-2021 PRODUCT SPECIFICATIONS



PRCNC20220578

**City of Puyallup  
Building  
REVIEWED  
FOR  
COMPLIANCE**

BSnowden  
12/23/2024  
9:25:47 AM



Full-Sized legible color report is required to be provided by the Permittee on site for all Inspections

This outdoor LED football scoreboard displays period time to 99:59, HOME and GUEST scores to 99 and DOWN/TO GO/BALL ON/QTR (quarter) information. T.O.L. (time outs left) to nine are optional. Arrows indicate possession. When period time is less than one minute, the scoreboard displays time to 1/10 of a second. Scoreboard shown with optional striping and amber PanaView® digits.

DIMENSIONS	# OF SECTIONS
<b>8'-0" H x 25'-0" W x 8" D</b> (2.44 m, 7.62 m, 203 mm)	<b>Two Total</b>
4'-0" H x 25'-0" W x 8" D (1.22 m, 7.62 m, 203 mm)	One Top & One Bottom

	VINYL CAPTIONS (STANDARD)	TNMCs & VINYL CAPTIONS	TNMCs & ELECTRONIC CAPTIONS	BACKLIT CAPTIONS	
<b>POWER (120 VAC)*</b>	Red/Amber Digits	290 Watts, 2.5 Amps	390 Watts, 3.3 Amps	570 Watts, 4.8 Amps	500 Watts, 4.2 Amps
	White Digits	620 Watts, 5.2 Amps	850 Watts, 7.1 Amps	1210 Watts, 10.1 Amps	830 Watts, 7.0 Amps
<b>UNCRATED WEIGHT</b>	Top Section	410 lb (186 kg)	530 lb (240 kg)	530 lb (240 kg)	474 lb (215 kg)
	Bottom Section	410 lb (186 kg)	410 lb (186 kg)	570 lb (259 kg)	490 lb (222 kg)
	<b>Total</b>	<b>820 lb (372 kg)</b>	<b>940 lb (426 kg)</b>	<b>1100 lb (499 kg)</b>	<b>964 lb (437 kg)</b>

\*Scoreboard requires a dedicated circuit. Models with 240 VAC power at half the indicated amperage are also offered (International Use Only).

## DIGITS & INDICATORS

- Clock digits are 30" (762 mm) high. Optional T.O.L. digits are 18" (457 mm) high. All other digits are 24" (610 mm) high.
- Select red, amber, or white LED digits and indicators. Scoreboard may instead have mixed LED digit colors (see [DD1965467](#)).
- Scoreboard features robust weather-sealed digits (see [DD2495646](#)).
- Digits may be dimmed for night viewing.

## DISPLAY COLOR

Choose from 150+ colors (from Martin Senour® paint book) at no additional cost.

## OPERATING TEMPERATURES

- Display: -22° to 122° Fahrenheit (-30° to 50° Celsius)
- Console: 32° to 130° Fahrenheit (0° to 54° Celsius)

## CAPTIONS

- HOME and GUEST captions are 15" (381 mm) high. All other captions are 12" (305 mm) high.
- Standard captions are vinyl, applied to the display face.
- Optional backlit captions consist of white letters on a black background. Team names are 14" (356 mm) high. All other captions are 12" (305 mm) high.
- Optional electronic captions change according to the sport mode, eliminating the need for caption panels. Electronic captions and TNMCs are 10.6" (269 mm) high.

## CONSTRUCTION

Alcoa aluminum alloy 5052 for excellent corrosion resistance

## PRODUCT SAFETY APPROVAL

ETL-listed to UL 48, tested to CSA standards, and CE-labeled

[WWW.DAKTRONICS.COM](http://WWW.DAKTRONICS.COM) E-MAIL: [SALES@DAKTRONICS.COM](mailto:SALES@DAKTRONICS.COM)

201 Daktronics Drive, PO Box 5128, Brookings, SD 57006  
Phone: 1-800-325-8766 or 605-692-0200 Fax: 605-697-4746  
DD2167297 091520 Page 1 of 10



# DAKTRONICS FB-2021 PRODUCT SPECIFICATIONS

PRCNC20220578

CONTROL CONSOLE	CONTROL OPTIONS
<p><b>All Sport® 5000</b> (see <a href="#">SL-03991</a>)</p>	<p><b>Wired (standard):</b> One-pair shielded cable of 22 AWG minimum is required. A cover plate with mounted connector and standard 2" x 4" x 2" (51 mm x 102 mm x 51 mm) outlet box is provided. Connector mates with signal cable from control console.</p> <hr/> <p><b>Wireless (optional):</b> 2.4 GHz spread spectrum radio features 64 non-interfering channels and 8 broadcast groups (see <a href="#">SL-04370</a>).</p>
<p><b>DAK Score &amp; MX-1</b> (see <a href="#">DD3888368</a>)</p>	<p>CUSTOMER-SUPPLIED mobile device or tablet with DAK Score app installed communicates via <b>Bluetooth®</b> wireless technology to an MX-1 Interface Box that controls the scoreboard through 2.4 GHz radio or wired connection.</p>

## SEGMENT TIMER MODE

The segment timer mode is ideal for keeping practices on schedule. The horn at the end of a segment allows coaches and athletes to focus on the practice and to listen for the horn when it is time to change drills (see [SL-04004](#)).

## TIME OF DAY MODE

This scoreboard features a Time of Day (TOD) mode that allows it to act as a clock when the control console is unplugged or off. Refer to the scoreboard installation manual for instructions on how to enable the Time of Day mode.

## MOUNTING

Scoreboard is typically mounted on two vertical beams or poles. Hardware to mount scoreboard on two beams is included; hardware for more beams is at additional cost. Standard mounting uses I-beam clamps. Optional mounting method using angle brackets is also offered; maximum beam width is 12" (305 mm) and maximum beam depth is 22" (559 mm). Refer to attached drawings for more information on mounting methods.

## SERVICE ACCESS

Digit panels and electronics are serviced from the front of the scoreboard.

## GENERAL INFORMATION

Scoreboard provides scoring capabilities for two teams. 100% solid state electronics are housed in an all aluminum cabinet. Scoreboard is shipped in two sections. Scoreboard power is to be provided on a dedicated circuit to prevent loss of game information due to failure of another component on the circuit. Specifications and pricing are subject to change without notice.

## ADVERTISING/IDENTIFICATION PANELS

### Backlit & Non-Backlit:

- 1'-6" H x 25'-0" W (457 mm, 7.62 m)
- 2'-0" H x 25'-0" W (610 mm, 7.62 m)
- 2'-6" H x 25'-0" W (762 mm, 7.62 m)
- 3'-0" H x 25'-0" W (914 mm, 7.62 m)
- 4'-0" H x 25'-0" W (1.22 m, 7.62 m)

For additional non-backlit panel sizes, see [SL-03761](#).

## OPTIONS & ACCESSORIES

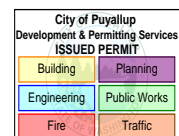
- Scoreboard border striping
- Multiple caption and striping colors (see [DD2101644](#))
- Team name caption in place of HOME \*
- Team names on changeable panels \*\*
- Programmable Team Name Message Centers (see [DD1696958](#))
- Backlit team name captions
- Backlit or electronic captions
- T.O.L. digits with captions
- Two 3'-6" (1.07 m) tall x 2'-7.75" (806 mm) wide logo/sponsor panels (not available with T.O.L. digits). Copy is applied to removable panels.
- Baseball, lacrosse/field hockey, and soccer captions on changeable panels
- LED colon
- Horn
- Individual digit protective screens (see [SL-04939](#))
- Protective netting (see [DD2690927](#))
- Optional angle bracket mounting method
- Advertising/identification panels
- Decorative accents
- Electronic message centers and video displays in multiple sizes

\* Not available with TNMCs

\*\* Not available with TNMCs or Backlit Team Names

## FOR ADDITIONAL INFORMATION

- Installation Specifications: DWG-1183308 (attached)
- Standard I-beam Mounting: DWG-1052565 (attached)
- LVX I-Beam Mounting: DWG-3918361 (attached)
- Optional Pole Mounting: DWG-1048184 (attached)
- Component Locations (Red/Amber Digits): DWG-1072175 (attached)
- Component Locations (White Digits): DWG-3025554 (attached)
- Architectural Specifications: See [SL-10092](#)



The Bluetooth® word mark and logos are registered trademarks owned by the Bluetooth SIG, Inc. and any use of such marks by Daktronics, Inc. is under license.

WWW.DAKTRONICS.COM E-MAIL: SALES@DAKTRONICS.COM

201 Daktronics Drive, PO Box 5128, Brookings, SD 57006  
 Phone: 1-800-325-8766 or 605-692-0200 Fax: 605-697-4746  
 DD2167297 091520 Page 2 of 10



# DAKTRONICS FB-2021 PRODUCT SPECIFICATIONS

PRCNC20220578

## ALTERNATE CAPTIONS & SCORING MODES



Segment Timer Mode



Standalone Time of Day Mode



Football Mode –  
Optional TNMCs shown



Football Mode with T.O.L. Option –  
vinyl, backlit & electronic captions shown  
(vinyl or backlit T.O.L. captions only;  
with electronic captions, T.O.L. is always backlit)



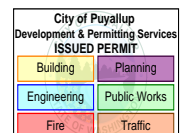
Soccer Mode –  
vinyl, backlit & electronic captions shown  
(SHOTS displayed with electronic captions)



Lacrosse/Field Hockey Mode –  
vinyl, backlit & electronic captions shown  
(SHOTS & PER displayed with electronic captions)

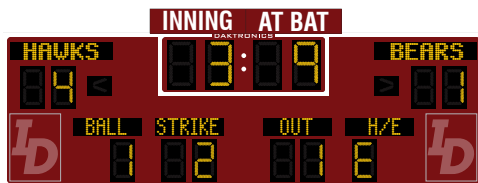
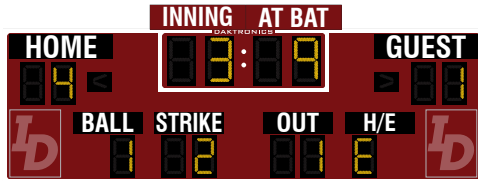
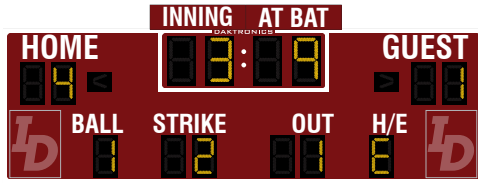
WWW.DAKTRONICS.COM E-MAIL: SALES@DAKTRONICS.COM

201 Daktronics Drive, PO Box 5128, Brookings, SD 57006  
Phone: 1-800-325-8766 or 605-692-0200 Fax: 605-697-4746  
DD2167297 091520 Page 3 of 10



# DAKTRONICS FB-2021 PRODUCT SPECIFICATIONS

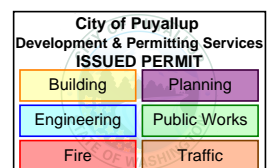
PRCNC20220578



Baseball Mode, without Clock – vinyl, backlit & electronic captions shown (12" vinyl INNING/AT BAT captions only)



Baseball Mode, with Clock – vinyl, backlit & electronic captions shown (6" vinyl H/E captions only)



[WWW.DAKTRONICS.COM](http://WWW.DAKTRONICS.COM) E-MAIL: [SALES@DAKTRONICS.COM](mailto:SALES@DAKTRONICS.COM)

All Sport® and PanaView® are trademarks of Daktronics, Inc.  
 Martin Senour® is a registered trademark of its owner.  
 DD2167297 091520 Page 4 of 10 Copyright © 2011-2020 Daktronics, Inc.



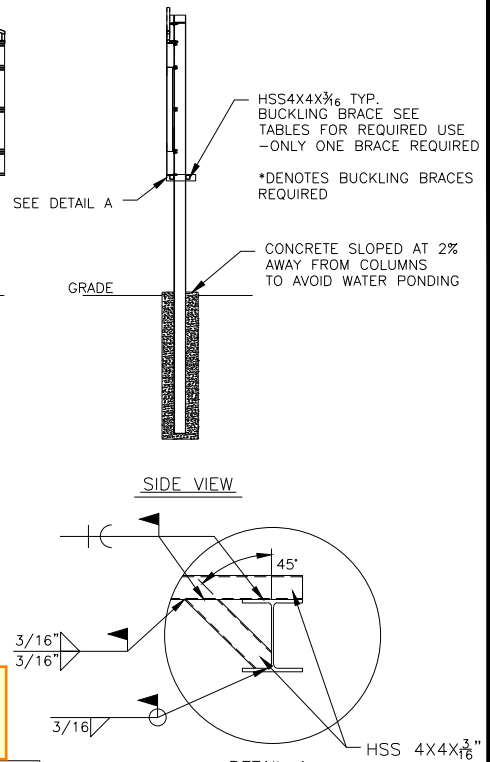
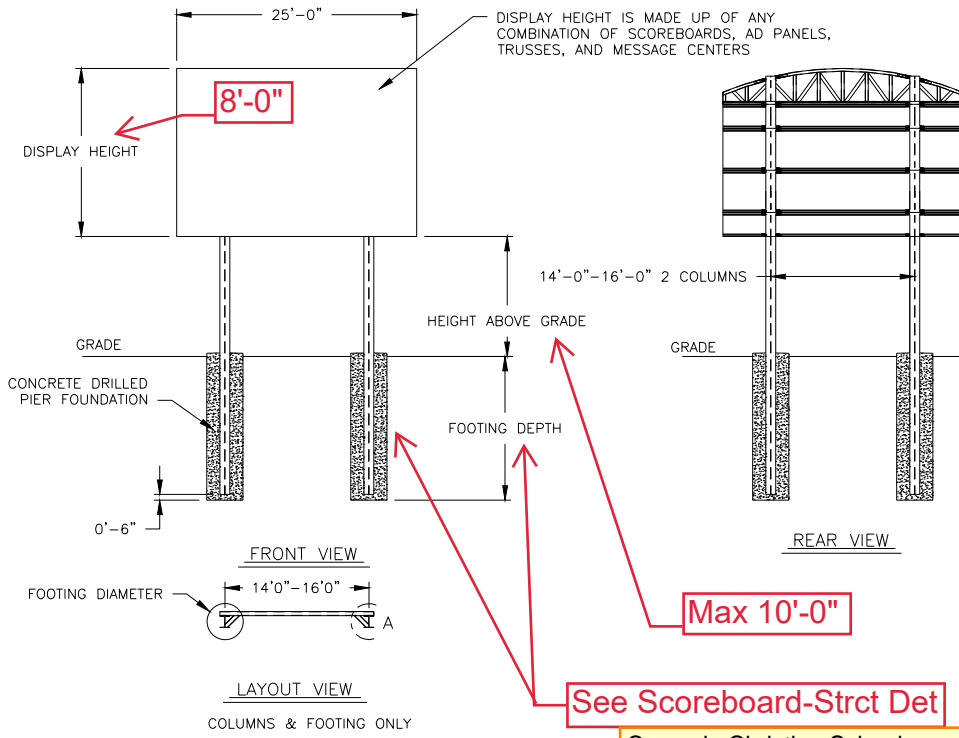


TABLE A MOUNTING  
 Cascade Christian Schools  
 Track and Field  
 Scoreboard Foundation Details

EXPOSURE B

HEIGHT ABOVE GRADE = 10'					HEIGHT ABOVE GRADE = 15'						
DISPLAY HEIGHT (FT)	COLUMN	DESIGN WIND VELOCITY				DISPLAY HEIGHT (FT)	COLUMN	DESIGN WIND VELOCITY			
		115 MPH	130 MPH	150 MPH	170 MPH			115 MPH	130 MPH	150 MPH	170 MPH
8	W8X28 3.0'X8.0'	W8X31 3.0'X9.0'	W14X38 3.0'X10.0'	W12X40 3.0'X11.0'	8	W10X39 3.0'X9.0'	W14X43 3.0'X10.0'	W10X49 3.0'X11.0'	W12X58 3.0'X12.0'		
10	W10X33 3.0'X9.0'	W10X39 3.0'X10.0'	W14X43 3.0'X11.0'	W12X53 3.0'X12.0'	10	W10X45 3.0'X10.0'	W12X53 3.0'X11.0'	W12X58 4.0'X11.0'	W16X67 4.0'X13.5'		
12	W10X39 3.0'X10.0'	W14X43 3.0'X10.5'	W12X53 3.0'X12.0'	W14X61 4.0'X12.0'	12	W12X53 3.0'X11.0'	W12X58 3.0'X12.0'	W12X72 3.0'X13.5'	W18X76 3.0'X13.5'		
14	W14X43 3.0'X10.5'	W12X53 3.0'X11.5'	W12X58 4.0'X11.5'	W16X67 4.0'X13.0'	14*	W14X48 3.0'X11.5'	W18X55 3.0'X13.0'	W21X62 4.0'X13.0'	W24X68 4.0'X15.0'		
16	W12X53 3.0'X11.5'	W14X61 4.0'X11.0'	W12X72 4.0'X12.5'	W18X86 4.0'X14.5'	16*	W21X48 4.0'X11.0'	W21X62 4.0'X12.0'	W21X68 4.0'X14.5'	W24X76 4.0'X17.0'		
18*	W16X40 3.0'X12.0'	W21X48 4.0'X12.0'	W21X55 4.0'X14.0'	W21X68 4.0'X16.0'	18*	W21X55 4.0'X12.0'	W16X67 3.0'X16.0'	W18X76 4.0'X16.0'	W27X84 4.0'X18.5'		
20*	W14X48 3.0'X13.0'	W18X55 3.0'X15.0'	W21X62 4.0'X15.0'	W24X68 4.0'X18.0'	20*	W21X62 4.0'X12.5'	W24X68 4.0'X14.5'	W24X84 4.0'X17.5'	W30X90 5.0'X17.5'		

FOOTING DIMENSIONS = DIAMETER X DEPTH  
 \* DENOTES ADDITIONAL BRACES REQUIRED AT THE MID HEIGHT OF DISPLAY

EXPOSURE C

HEIGHT ABOVE GRADE = 10'			HEIGHT ABOVE GRADE = 15'				
DISPLAY HEIGHT (FT)	COLUMN	DESIGN WIND VELOCITY		DISPLAY HEIGHT (FT)	COLUMN	DESIGN WIND VELOCITY	
		115 MPH	140 MPH			115 MPH	140 MPH
8	W10X33 3.0'X9.5'	W12X40 3.0'X10.5'		8	W14X43 3.0'X10.0'	W12X58 3.0'X12.0'	
10	W14X43 3.0'X10.5'	W12X53 3.0'X11.5'		10	W12X53 3.0'X11.5'	W12X65 3.0'X13.5'	
12	W14X48 3.0'X11.5'	W12X58 4.0'X11.5'		12	W14X61 4.0'X12.0'	W18X76 4.0'X13.0'	
14	W12X53 4.0'X11.0'	W16X67 4.0'X13.0'		14*	W21X48 4.0'X12.0'	W21X68 4.0'X14.5'	
16	W12X65 4.0'X11.5'	W18X76 4.0'X14.0'		16*	W21X62 4.0'X13.0'	W18X76 4.0'X16.0'	
18*	W21X48 4.0'X12.5'	W21X62 4.0'X15.5'		18*	W21X68 4.0'X13.0'	W24X84 4.0'X18.0'	
20*	W21X55 4.0'X13.5'	W21X68 4.0'X17.0'		20*	W18X76 4.0'X15.5'	W30X90 5.0'X17.0'	

FOOTING DIMENSIONS = DIAMETER X DEPTH  
 \* DENOTES ADDITIONAL BRACES REQUIRED AT THE MID HEIGHT OF DISPLAY

- NOTES:
- FOOTING AND COLUMN SIZES ARE SUGGESTIONS ONLY, PROVIDED TO ASSIST WITH ESTIMATING INSTALLATION COSTS AND ARE NOT INTENDED FOR CONSTRUCTION PURPOSES. THE DESIGN MUST BE CERTIFIED BY A PROFESSIONAL ENGINEER LICENSED IN THE STATE OF THE INSTALLATION BEFORE THEY CAN BE USED FOR FABRICATION OR ERECTION.
  - INTERNATIONAL BUILDING CODE 2012 USED IN DESIGN OF COLUMNS AND FOOTINGS WITH IMPORTANCE FACTOR=1, Kzt=1.0, Kd=0.85, G=0.85. SEISMIC DESIGN WAS NOT CONSIDERED.
  - FOOTING DIMENSIONS ARE BASED ON ASSUMED SOIL CLASS 4 (ALLOWABLE LATERAL BEARING PRESSURE OF 150 psf).
  - STRUCTURAL STEEL IS GRADE A992 (50 ksi) STEEL. CONCRETE SHALL HAVE A MINIMUM 28 DAY COMPRESSIVE STRENGTH OF 2500 psi.
  - THE AVERAGE DISPLAY WEIGHT FOR A LAYOUT CAN NOT EXCEED 8 PSF.
  - DAKTRONICS INC. IS NOT RESPONSIBLE FOR STRUCTURES DESIGNED AND INSTALLED BY OTHERS.
  - LOCAL BUILDING OFFICIALS SHOULD BE CONTACTED TO DETERMINE THE WIND SPEED AND EXPOSURE CATEGORY FOR THE PROPOSED SIGN LOCATION. THE EXPOSURE CATEGORY C IS DEFINED AS:  
 EXPOSURE B - URBAN AND SUBURBAN AREAS, OR OTHER TERRAIN WITH NUMEROUS SPACED OBSTRUCTIONS HAVING THE SIZE OF SINGLE-FAMILY DWELLINGS OR LARGER. THESE CONDITIONS MUST PREVAIL FOR A DISTANCE FROM THE SIGN OF AT LEAST 2,600 FT OR 20 TIMES THE SIGN HEIGHT, WHICHEVER IS GREATER.  
 EXPOSURE C - OPEN TERRAIN WITH SCATTERED OBSTRUCTIONS HAVING HEIGHTS GENERALLY LESS THAN 30 FT. THIS CATEGORY INCLUDES FLAT OPEN COUNTRY, GRASSLANDS, AND ALL WATER SURFACES IN HURRICANE PRONE REGIONS.
  - FOR SPECIFIC PRODUCT DETAILS ON WEIGHT, MOUNTING, ETC. REFER TO THE INDIVIDUAL PRODUCT SPECIFICATION SHEETS.

City of Puyallup  
 Development & Permitting Services  
 ISSUED PERMIT

Building	Planning
Engineering	Public Works
Fire	Traffic

 BROOKINGS, SD 57006 DO NOT SCALE DRAWING	THE CONCEPTS EXPRESSED AND DETAILS SHOWN ON THIS DRAWING ARE CONFIDENTIAL AND PROPRIETARY. DO NOT REPRODUCE BY ANY MEANS WITHOUT THE EXPRESS WRITTEN CONSENT OF DAKTRONICS, INC. COPYRIGHT 2014 DAKTRONICS, INC.	
	PROJ: OUTDOOR SCOREBOARD INSTALLATION TITLE: 25' WIDTH SCOREBOARD INSTALLATION SPECS. DESIGN: TTASCHN DRAWN: TTASCHN DATE: 22JUL14	
SHEET: 00 REV: 00 JOB NO: P1538	FUNC-TYPE-SIZE: E-10-A	1183308

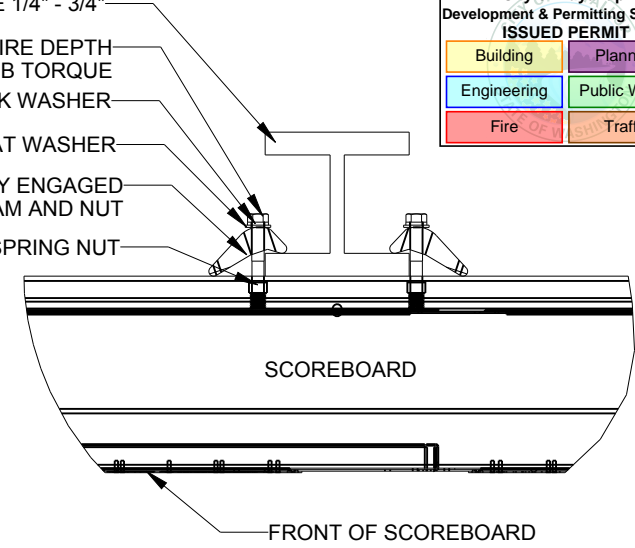
Welding to be completed by an individual or fabricator who is WABO certified or approved by the Building Official to perform the work. All welds must be inspected and approved by a WABO certified special inspector.

PRCNC20220578

City of Puyallup  
Development & Permitting Services  
ISSUED PERMIT

Building	Planning
Engineering	Public Works
Fire	Traffic

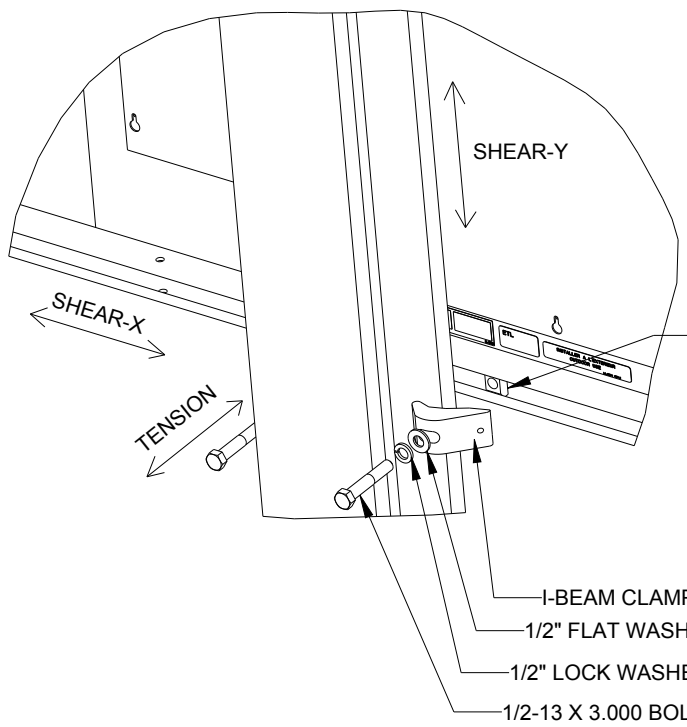
VERTICAL BEAM - FLANGE THICKNESS MUST BE 1/4" - 3/4"  
 1/2-13 X 3.000 BOLT - BOLT THREAD MUST ENGAGE ENTIRE DEPTH OF SPRING NUT. BOLT MUST BE TIGHTENED TO 40FT-LB TORQUE  
 1/2" LOCK WASHER  
 1/2" FLAT WASHER  
 I-BEAM CLAMP - ASSURE CLAMP IS TIGHTLY ENGAGED TO I-BEAM AND NUT  
 SPRING NUT



TOP VIEW

\*\*\*CRITICAL\*\*\*  
 DO NOT USE ANY LUBRICANT ON ANY MOUNTING HARDWARE OR WARRANTY WILL BE VOIDED

05	22 DEC 15	PER EC-22871; ADDED LUBRICANT NOTE	PJS 18704
04	06 JAN 14	ADDED ALLOWABLE TENSION AND SHEAR CAPACITY DETAILS	JAVA
03	23 OCT 13	PER EC-12382; CHANGED BOLT TORQUE FROM 30 FT-LB TO 40 FT-LB	NJM
02	07 MAR 12	ADDED STANDARD MOUNTING METHODS NOTES	KDD
01	21 FEB 12	CHANGED ROCKER TO I-BEAM	KDD
REV	DATE:		BY:



EXPLODED REAR ISOMETRIC VIEW

\*\*\*CRITICAL\*\*\*  
 MAKE SURE SPRING NUT IS TURNED TO VERTICAL POSITION INSIDE SCOREBOARD CHANNEL

### STANDARD MOUNTING METHOD

- MOUNTING INSTRUCTIONS:
1. PLACE SPRING NUTS INTO SCOREBOARD CHANNEL IN APPROXIMATE LOCATION OF VERTICAL BEAMS
  2. LIFT SCOREBOARD INTO POSITION
  3. MAKE SURE THE 1/2-13 BOLTS ARE AS CLOSE TO THE I-BEAM FLANGES AS POSSIBLE
  4. WHEN SCOREBOARD IS ADJUSTED TO FINAL DESIRED POSITION, TIGHTEN BOLTS FIRMLY
  5. IF FLANGE THICKNESS IS MORE THAN 3/4" THICK LONGER BOLTS WILL BE REQUIRED AT THE CUSTOMER'S EXPENSE.

### STRUCTURAL NOTES

ALLOWABLE CAPACITY PER EACH CLAMP:  
 SHEAR = 160 LBS  
 TENSION = 2300 LBS

SHEAR AND TENSION LOAD DIRECTION ARE AS INDICATED ON REAR ISOMETRIC VIEW

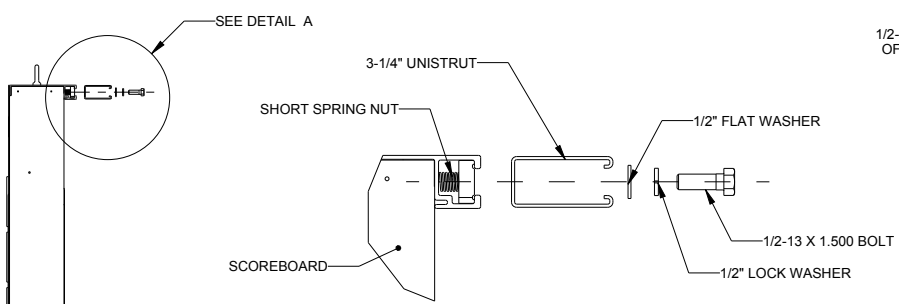
THE CONCEPTS EXPRESSED AND DETAILS SHOWN ON THIS DRAWING ARE CONFIDENTIAL AND PROPRIETARY. DO NOT REPRODUCE BY ANY MEANS WITHOUT THE EXPRESS WRITTEN CONSENT OF DAKTRONICS, INC. OR ITS WHOLLY OWNED SUBSIDIARIES. COPYRIGHT 2016 DAKTRONICS, INC. (USA)

THIRD ANGLE PROJECTION

PROJECT: OUTDOOR SCOREBOARD			
TITLE: P1647; I-BEAM CLAMP MOUNTING			
DATE: 22-DEC-15	DIM UNITS: INCHES [MILLIMETERS]	SHEET	REV
SCALE: 1/8	DO NOT SCALE DRAWING	1 OF 1	05
DESIGN: MCARSRU	JOB NO. P1647	FUNC - TYPE - SIZE E - 07 - A	1052565
DRAWN: MCARSRU			

**City of Puyallup**  
 Development & Permitting Services  
**ISSUED PERMIT**

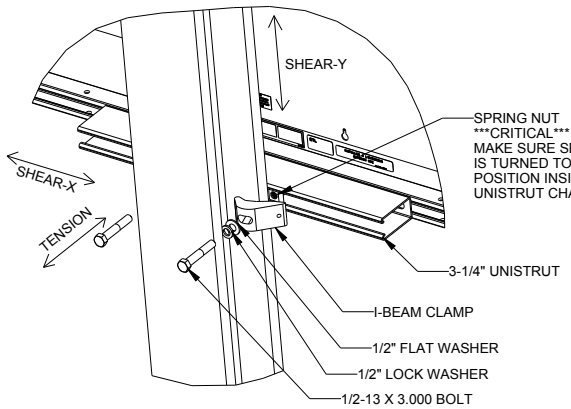
Building	Planning
Engineering	Public Works
Fire	Traffic



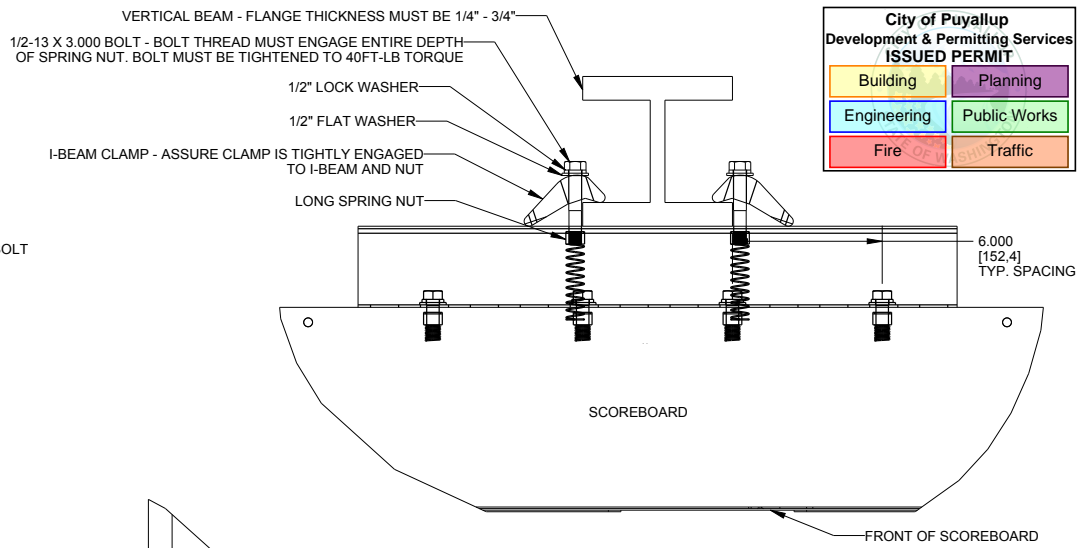
**DETAIL A**  
 SCALE 1/4

RECOMMENDED METHOD OF INSTALLATION:  
 - INSTALL 1 1/2" BOLT, 1/2" LOCK WASHER, 1/2" FLAT WASHER USING SHALLOW SOCKET WITH EXTENSION.  
 - ENTER FROM INSIDE OF UNISTRUT SECURING INSIDE BOLTS FIRST AND MOVING OUTWARD.

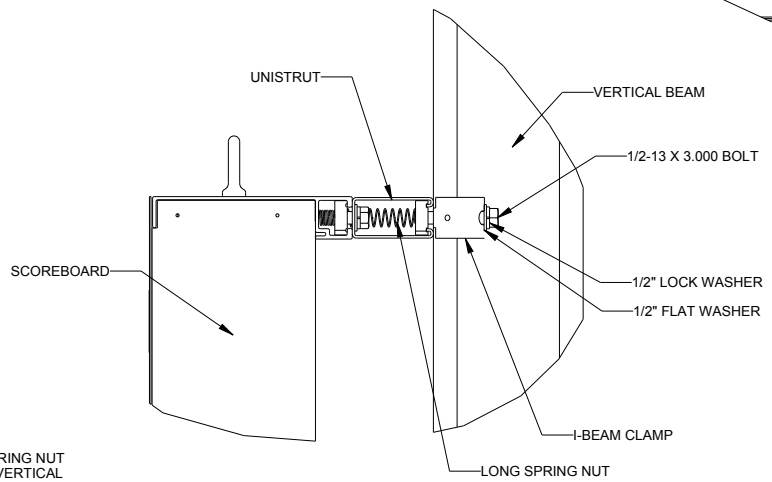
**EXPLODED SIDE VIEW UNISTRUT ATTACHMENT**  
 SCALE 1/15



**EXPLODED REAR ROTATED VIEW**  
 SCALE 1/8



**TOP VIEW**



**SIDE VIEW SCOREBOARD ATTACHMENT**

**STRUCTURAL NOTES**

ALLOWABLE CAPACITY PER COLUMN CONNECTION:  
 SHEAR = 185 LBS  
 TENSION = 2400 LBS  
 SHEAR AND TENSION LOAD DIRECTION ARE AS INDICATED ON REAR ISOMETRIC VIEW

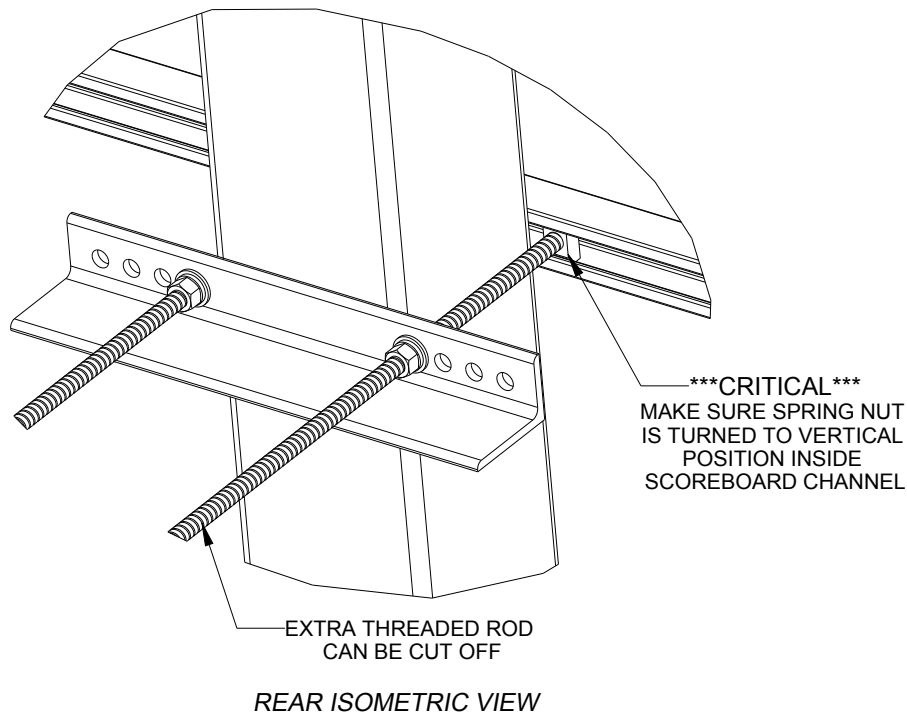
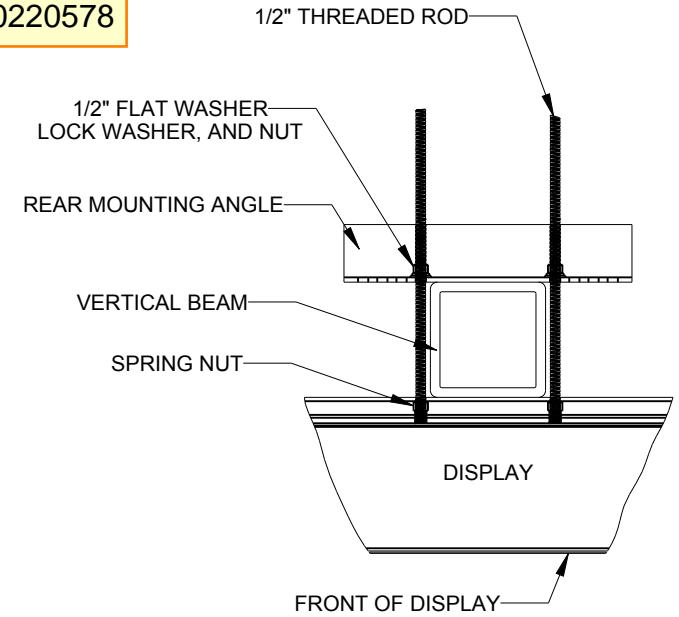
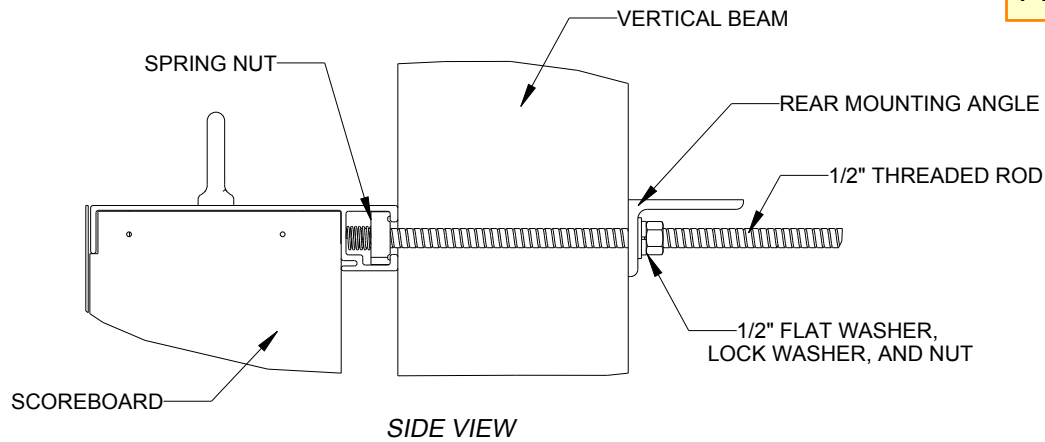
**STANDARD MOUNTING METHOD**

- MOUNTING INSTRUCTIONS:**
1. PLACE SPRING NUTS INTO SCOREBOARD CHANNEL IN LOCATIONS SHOWN IN TOP VIEW
  2. PLACE SPRING NUTS IN UNISTRUT IN APPROXIMATE LOCATION OF VERTICAL BEAMS
  3. LIFT SCOREBOARD INTO POSITION
  4. MAKE SURE THE 1/2-13 BOLTS ARE AS CLOSE TO THE I-BEAM FLANGES AS POSSIBLE
  5. WHEN SCOREBOARD IS ADJUSTED TO FINAL DESIRED POSITION, TIGHTEN BOLTS FIRMLY
  6. IF FLANGE THICKNESS IS MORE THAN 3/4" THICK LONGER BOLTS WILL BE REQUIRED AT THE CUSTOMER'S EXPENSE.

**\*\*\*CRITICAL\*\*\***  
 DO NOT USE ANY LUBRICANT ON ANY MOUNTING HARDWARE OR WARRANTY WILL BE VOIDED

REV	DATE	BY	
THE CONCEPTS EXPRESSED AND DETAILS SHOWN ON THIS DRAWING ARE CONFIDENTIAL AND PROPRIETARY. DO NOT REPRODUCE BY ANY MEANS WITHOUT THE EXPRESS WRITTEN CONSENT OF DAKTRONICS, INC. OR ITS WHOLLY OWNED SUBSIDIARIES. COPYRIGHT 2018 DAKTRONICS, INC. (USA)			THIRD ANGLE PROJECTION 
PROJECT: <b>OUTDOOR SCOREBOARD</b>			
TITLE: <b>P1647: LVX I-BEAM CLAMP MOUNTING</b>			
DATE:	18-MAY-18	DIM UNITS:	INCHES (MILLIMETERS)
SCALE:	1/5	DO NOT SCALE DRAWING	
DESIGN:	KDRAGT	JOB NO.:	P1647
DRAWN:	KDRAGT	FUNC - TYPE - SIZE:	E - 07 - B
			<b>3918361</b>

PRCNC20220578



TOP VIEW  
SCALE 1/10

**\*\*\*CRITICAL\*\*\***  
DO NOT USE ANY LUBRICANT  
ON ANY MOUNTING HARDWARE  
OR WARRANTY WILL BE VOIDED

**STRUCTURAL NOTES:**  
- BOLT TORQUE: 30 FT-LB

**NOTES:**  
- THREADED RODS RUN ALONG BOTH SIDES OF BEAM  
- RODS DO NOT PASS THROUGH THE FLANGES OF THE BEAM  
- NO DRILLING NECESSARY  
- MAKE SURE SPRING NUT IS PERPENDICULAR TO CHANNEL OPENING ON SCOREBOARD

City of Puyallup  
Development & Permitting Services  
**ISSUED PERMIT**

Building	Planning
Engineering	Public Works
Fire	Traffic

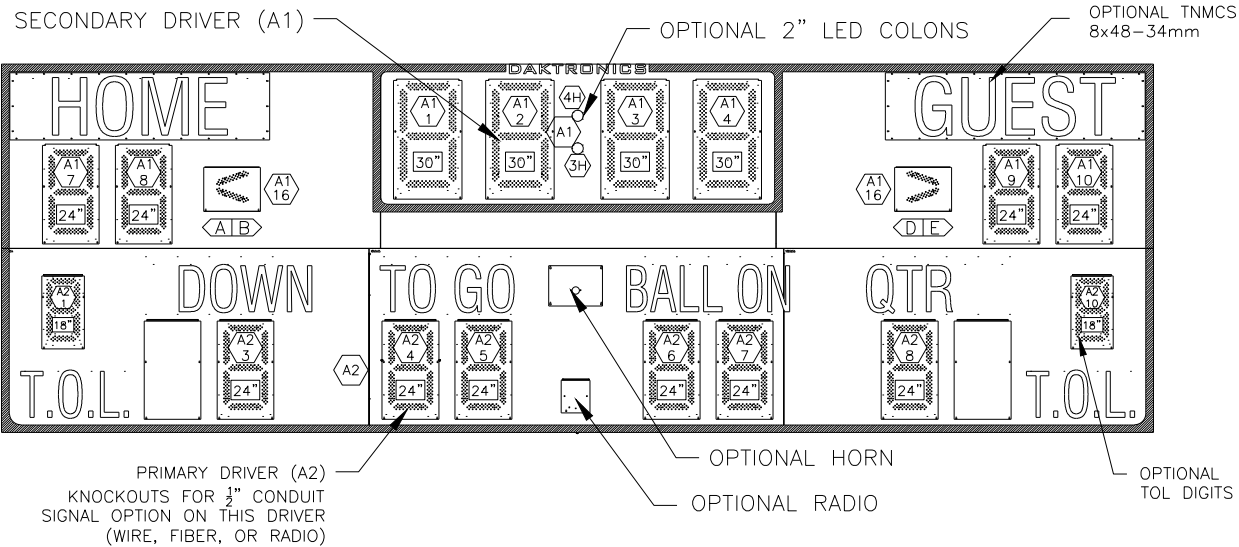
04	22 DEC 15	PER EC-22871; ADDED LUBRICANT WARNING	PJS 18704
03	03 JULY 13	ADDED STRUCTURAL NOTE	TTF
02	20 SEP 12	PER EC-7114; REMOVED CHAMFER FROM 0M-133259	LMG
01	06 OCT 11	REPLACED VERTICAL I-BEAM WITH 6" X 6" SQUARE TUBE	JAVA
REV	DATE:		BY:

		<small>THE CONCEPTS EXPRESSED AND DETAILS SHOWN ON THIS DRAWING ARE CONFIDENTIAL AND PROPRIETARY. DO NOT REPRODUCE BY ANY MEANS WITHOUT THE EXPRESS WRITTEN CONSENT OF DAKTRONICS, INC. OR ITS WHOLLY OWNED SUBSIDIARIES. COPYRIGHT 2016 DAKTRONICS, INC. (USA)</small>			
PROJECT: OUTDOOR SCOREBOARDS					
TITLE: P1647; POLE MOUNTING OPTIONS					
DATE: 22-DEC-15		DIM UNITS: INCHES [MILLIMETERS]		SHEET REV	
SCALE: 1/5		DO NOT SCALE DRAWING		1 OF 1 04	
DESIGN: DOPPELT		JOB NO. P1647		FUNC - TYPE - SIZE E - 10 - A	
DRAWN: DOPPELT		<b>1048184</b>			

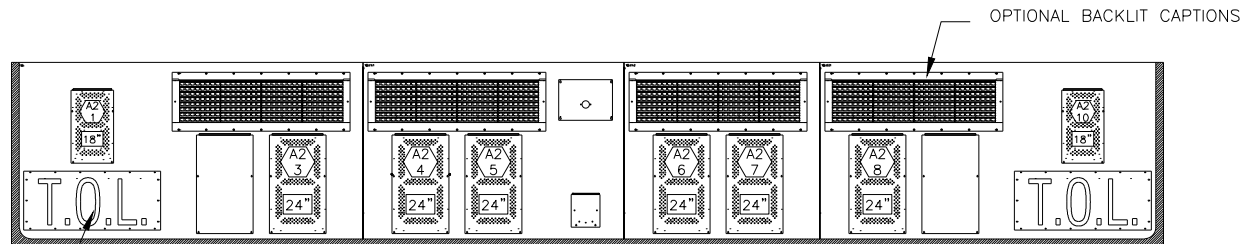
City of Puyallup  
Development & Permitting Services  
ISSUED PERMIT

Building	Planning
Engineering	Public Works
Fire	Traffic

FB-2021-R/-A



FRONT VIEW  
TOP/BTM SHOWN WITH VINYL CAPTIONS



FRONT VIEW  
BTM SHOWN WITH 8X32-34mm  
ELECTRONIC CAPTIONS AND VINYL TOL

NOTES:

- = LED DRIVER NUMBER & LED DRIVER CONNECTOR WIRED TO THAT DIGIT.
- = DIGIT SIZE
- = SEGMENT DESIGNATIONS
- = DRIVER NUMBER

REV	DATE	DESCRIPTION	BY
05	06 AUG 20	PER CN-107687 REMOVED LABELS TO MOVE TO NEW STANDARD	tan
04	25 OCT 18	PER CN-66843, UPDATED LOCATION OF DAKTRONICS LOGO	KDM
03	20 FEB 15	PER EC-17119, REMOVED DETAIL A AND B ADDED SIGNAL OPTON NOTE CHANGED SLAVE AND MASTER DRIVER NAME	KDB
02	05 MAY 14	PER EC-14303, UPDATED LABELS	KDD
01	24 APR 13	PER EC-9747, UPDAETD FB INDICATORS	KDD

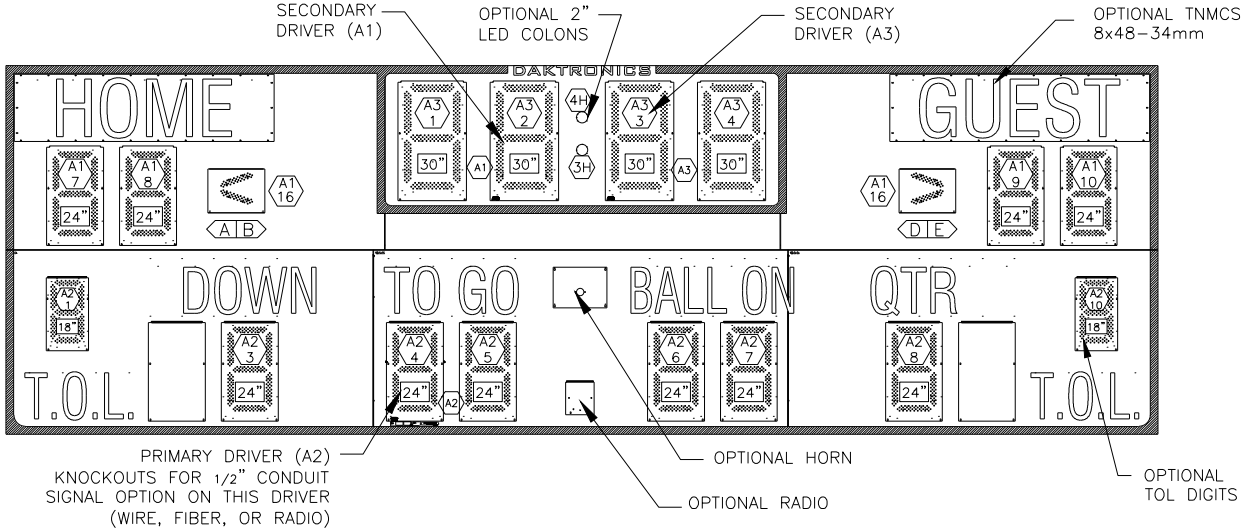
<p>THE CONCEPTS EXPRESSED AND DETAILS SHOWN ON THIS DRAWING ARE CONFIDENTIAL AND PROPRIETARY. DO NOT REPRODUCE BY ANY MEANS WITHOUT THE EXPRESS WRITTEN CONSENT OF DAKTRONICS, INC. OR ITS WHOLLY OWNED SUBSIDIARIES. COPYRIGHT 2018 DAKTRONICS, INC. (USA)</p>			
TITLE: <b>COMPONENT LOCATION; FB-2021-R/-A</b>			
DATE:	13 OCT 11	DIM UNITS:	INCHES [MILLIMETERS]
SCALE:	1/50	DO NOT SCALE DRAWING	
DESIGN:	DOPPELT	JOB NO.	P1647
DRAWN:	JVANAAR	FUNC - TYPE - SIZE	R - 08 - A
			1072175

FB-2021-W

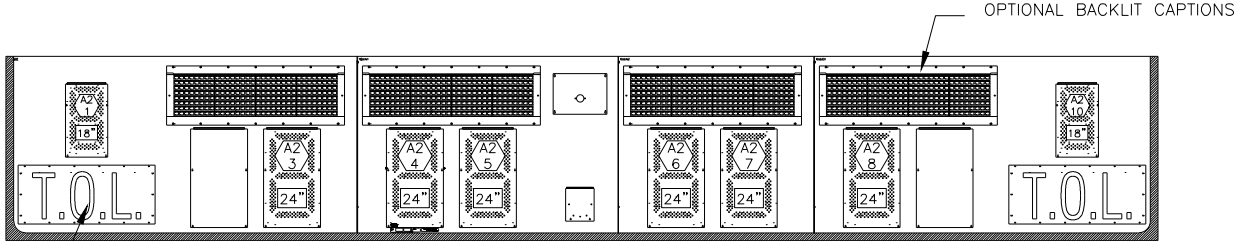
PRCNC20220578

City of Puyallup  
Development & Permitting Services  
ISSUED PERMIT

Building	Planning
Engineering	Public Works
Fire	Traffic



FRONT VIEW  
TOP/BTM SHOWN WITH VINYL CAPTIONS



FRONT VIEW  
BTM SHOWN WITH 8X32-34mm  
ELECTRONIC CAPTIONS AND VINYL TOL

NOTES:

- = LED DRIVER NUMBER & LED DRIVER CONNECTOR WIRED TO THAT DIGIT.
- = DIGIT SIZE
- = SEGMENT DESIGNATIONS
- = DRIVER NUMBER

OPTIONAL  
T.O.L.  
BACKLIT  
CAPTIONS

REV 01	DATE: 25 OCT 18	PER CN-66843, UPDATED LOCATION OF DAKTRONICS LOGO	BY: KDM
		<small>THE CONCEPTS EXPRESSED AND DETAILS SHOWN ON THIS DRAWING ARE CONFIDENTIAL AND PROPRIETARY. DO NOT REPRODUCE BY ANY MEANS WITHOUT THE EXPRESS WRITTEN CONSENT OF DAKTRONICS, INC. OR ITS WHOLLY OWNED SUBSIDIARIES. COPYRIGHT 2017 DAKTRONICS, INC. (USA)</small>	
PROJECT: OUTDOOR SCOREBOARDS			
TITLE: COMPONENT LOCATION; FB-2021-W			
DATE: 23 MAR 15	DIM UNITS: INCHES [MILLIMETERS]	SHEET	REV
SCALE: 1/50	DO NOT SCALE DRAWING		01
DESIGN: DOPPELT	JOB NO. P1647	FUNC - TYPE - SIZE R - 08 - A	3025554
DRAWN: ZWOODWA			

