

GENERAL NOTES

- INSTALLATION SHALL BE ACCOMPLISHED IN STRICT COMPLIANCE WITH NFPA, LOCAL, AND STATE AHJ'S, NEC, AND CONTRACT DRAWINGS.
- RECORD DRAWINGS ARE REQUIRED AT THE TIME OF AHJ ACCEPTANCE. PATRIOT FIRE PROTECTION, INC. REQUIRES ELECTRICAL RED LINES WITH IN TWO WEEKS PRIOR TO PRIOR AHJ TESTS.
- AGREEMENT AND CONFIRMATION OF ALL MILESTONE EVENTS WILL BE MADE WITH PATRIOT FIRE PROTECTION, INC. PROJECT MANAGER. ALL FS TECHNOLOGIES FIELD SERVICES MUST BE SCHEDULED WITH PATRIOT FIRE PROTECTION, INC. PROJECT MANAGER WITH A MINIMUM OF TEN BUSINESS DAYS ADVANCE NOTICE.
- A SET OF INSTALLATION AS-BUILT DRAWINGS SHOWING ACTUAL CONDUIT AND CONDUCTOR ROUTES SHALL BE KEPT BY PROJECT FOREMAN FOR USE BY PATRIOT FIRE PROTECTION, INC. ALARM TECHNICIAN.
- FIRE ALARM CONTROL PANEL SHALL NOT BE ENERGIZED WITHOUT THE PRESENCE OF A PATRIOT FIRE PROTECTION, INC. ALARM TECHNICIAN.
- THE FIRE ALARM SYSTEM SHALL BE MONITORED BY UNDERWRITERS LISTED MONITORING STATION BEFORE AHJ TEST.
- THE WIRING ROUTING IS DIAGRAMMATIC IN NATURE ONLY AND NOT INTENDED FOR ACTUAL CONDUIT ROUTING.
- ALL CONDUIT SIZING AND ROUTING BY ELECTRICAL CONTRACTOR PER NEC AND AHJ.
- NO LINE VOLTAGE IN SAME CONDUIT AS POWER LIMITED FIRE ALARM CABLE.
- VERIFY ALL LOCATIONS OF DEVICES WITH ELECTRICAL AND ARCHITECTURAL PLANS, SCALE AND PLACE DEVICES PER ELECTRICAL AND ARCHITECTURAL PLANS
- FIELD VERIFY WATERFLOW SWITCHES, TAMPER SWITCHES, PRESSURE SWITCHES, SMOKE DAMPERS, AND DUCT DETECTOR LOCATIONS.
- FIELD VERIFY ALL WIRING LOCATIONS AND REQUIREMENTS FOR HVAC AND FAN CONTROL.
- SMOKE DETECTORS SHALL NOT BE LOCATED WITH IN 36" OF ANY DIFFUSER
- WALL MOUNTED AUDIBLE/VISUAL APPLIANCES SHALL BE MOUNTED IN SUCH THAT THE ENTIRE LENS IS NOT LESS THAN 80" AND NOT GREATER THAN 96" ABOVE FINISHED FLOOR
- THE OPERABLE PART OF EACH MANUAL FIRE ALARM BOX SHALL NOT BE LESS THAN 3'-6" AND NOT MORE THAN 4'-0" ABOVE THE FINISHED FLOOR.
- NO DETECTORS SHALL BE INSTALLED UNTIL AFTER FINAL CONSTRUCTION CLEAN-UP, DETECTORS THAT HAVE BEEN INSTALLED PRIOR TO CLEAN-UP MUST BE CLEANED OR REPLACED AND WILL BE INVOICED ON A TIME AND MATERIAL BASIS.
- A DEDICATED BRANCH CIRCUIT OF ONE OF THE FOLLOWING SHALL SUPPLY PRIMARY POWER.
 - A) COMMERCIAL LIGHT AND POWER.
 - B) AN ENGINE-DRIVEN GENERATOR OR EQUIVALENT WHERE A PERSON SPECIFICALLY TRAINED IN ITS OPERATIONS IS ON DUTY AT ALL TIMES.
 - C) AN ENGINE-DRIVEN GENERATOR OR EQUIVALENT ARRANGED FOR COGENERATION WITH COMMERCIAL LIGHT AND POWER WHERE A PERSON SPECIFICALLY TRAINED IN ITS OPERATION IS ON DUTY AT ALL TIMES.
- ALL CIRCUITS WILL BE PROPERLY TAGGED AND TESTED FOR OPENS, SHORTS, GROUNDS, AND PROPER "END-TO-LINE" RESISTANCE. EACH CIRCUITS METER READING MUST BE DOCUMENTED AND PRESENTED TO PATRIOT FIRE PROTECTION, INC. ALARM TECHNICIAN UPON ARRIVAL ONSITE FOR STARTUP AND CHECKOUT.
- NO TAPPING OF SIGNALING OR INITIATING ZONE CIRCUITS ARE ALLOWED. T-TAPPING OF STYLE 4 ADDRESSABLE CIRCUITS IS ALLOWED PROVIDING A SPLICE IS PROFESSIONALLY INSTALLED, POLARITY IS OBSERVED, AND SHIELDS ARE CONTINUOUS AND FREE OF GROUNDS. SHIELDS MUST BE TERMINATED AT THE FIRE ALARM CONTROL PANEL ONLY. CABLE SHIELDS SHALL BE SPLICED TOGETHER AT EVERY JUNCTION BETWEEN THE FIRE ALARM CONTROL PANEL AND THE LAST DEVICE ON EACH CABLE RUN. SHIELDS AND OTHER FIRE ALARM CONDUCTORS (EXCEPT POWER GROUNDS) SHALL BE INSULATED AND COMPLETELY FREE FROM CONDUIT OR EARTH GROUNDS. SHIELDS WILL BE TIED TO GROUND ONLY AT THE FIRE ALARM CONTROL PANEL.

DRAWING ACCEPTANCE

THIS DRAWING IS TO BE USED FOR THE PURPOSE OF PLACING AND LOCATING PATRIOT FIRE PROTECTION, INC. FIRE ALARM DEVICES AND IS NOT TO BE USED FOR ANY OTHER PURPOSES.

INSTALLATION COMPANY

PATRIOT FIRE PROTECTION, INC.
2707 70TH AVE E, TACOMA, WA 98424

MONITORING COMPANY

AVANGUARD MONITORING CENTERS, LLC
4699 HARRISON BLVD, SUITE 100
OGDEN, UT 84403



VICINITY MAP
NOT TO SCALE

SCOPE OF WORK

SUITE 101 SE OFFICE TI
ADD (1) POWER SUPPLY, (3) SMOKE DETECTORS, (5) HEAT DETECTORS, (4) STROBES, (3) HORN STROBES AND (1) RELAY MODULE

SYSTEM DESIGN CODES

INTERNATIONAL BUILDING CODE (IBC 2021 EDITION)
INTERNATIONAL FIRE CODE (IFC 2021 EDITION)
NATIONAL ELECTRICAL CODE (NFPA 70 2020 EDITION)
ADA INTERNATIONAL CODE ANSIE 117.1
NATIONAL FIRE ALARM AND SIGNALING CODE (NFPA 72 2019 EDITION)

USE & OCCUPANCY CLASSIFICATION

- ASSEMBLY (A) A-1 A-2 A-3 A-4 A-5
- BUSINESS (B)
- EDUCATIONAL (E)
- FACTORY & INDUSTRIAL (F) F-1 F-2
- HIGH HAZARD (H) H-1 H-2 H-3 H-4 H-5
- INSTITUTIONAL (I) I-1 I-2 I-3 I-4
- MERCANTILE (M)
- RESIDENTIAL (R) R-1 R-2 R-3 R-4
- STORAGE (S) S-1 S-2 S-3 S-4
- UTILITY & MISCELLANEOUS (U)

AUTOMATIC SPRINKLER PROTECTION

- NO PARTIAL FULL

DEVICE LEGEND

SYMBOL	NEW	EXISTING	MANUFACTURER	PART NO	DESCRIPTION	
[FACU]		1	SILENT KNIGHT	6808	INTELLIGENT FIRE ALARM CONTROL PANEL WITH COMMUNICATOR	
[NAC]	1		POTTER	PSN-106	10A CONVENTIONAL POWER SUPPLY WITH 6 OUTPUTS	
[FA]		1	SILENT KNIGHT	6855	REMOTE ANNUNCIATOR	
[AM]		33	SILENT KNIGHT	SK-MONITOR	MONITOR MODULE	
[CM]		1	SILENT KNIGHT	SK-CONTROL	NOTIFICATION MODULE	
[F]		28	SILENT KNIGHT	SK-PULL-DA	DUAL ACTION PULL STATION	
[E]		1	SILENT KNIGHT	SK-PULL-SA	SINGLE ACTION PULL STATION	
[LS]		5	SILENT KNIGHT	SK-DUCT-W WISK-PHOTO-R-W	INTELLIGENT NON-RELAY PHOTOELECTRIC LOW FLOW SMOKE DETECTOR HOUSING W/ DETECTOR	
[S]		11	528	SILENT KNIGHT	SK-PHOTO-W W/B300-6	WHITE, LOW-PROFILE PHOTOELECTRIC SENSOR W/BASE
[H] 135 FT		1	12	SILENT KNIGHT	SK-HEAT-W W/B300-6	WHITE, LOW-PROFILE INTELLIGENT 135°F FIXED THERMAL SENSOR W/STANDARD BASE
[C]		4	SYSTEM SENSOR	SCRLED	STROBE, CEILING, RED	
[C]		4	SYSTEM SENSOR	PC2RLED	2-WIRE, HORN STROBE, CEILING, RED	

OPERATION MATRIX

	MANUAL PULL STATION	SMOKE DETECTOR (SPDT)	WATER FLOW	TAMPER	FIRE PUMP RUN	FIRE PUMP AC LOSS	SYSTEM TROUBLE	AC FAIL	COMMUNICATOR FAIL
DISPLAY OF AN ALARM EVENT AT THE FACP	X	X	X						
DISPLAY OF A SUPERVISORY EVENT AT THE FACP				X	X	X			
DISPLAY OF A TROUBLE EVENT AT THE FACP							X	X	X
TRANSMIT AN ALARM SIGNAL TO THE CENTRAL STATION	X	X	X						
TRANSMIT A SUPERVISORY SIGNAL TO THE CENTRAL STATION				X	X	X			
TRANSMIT A TROUBLE SIGNAL TO THE CENTRAL STATION							X	X	
INITIATE BUILDING NOTIFICATION (A/V DEVICES)	X	X	X						

WIRE LEGEND

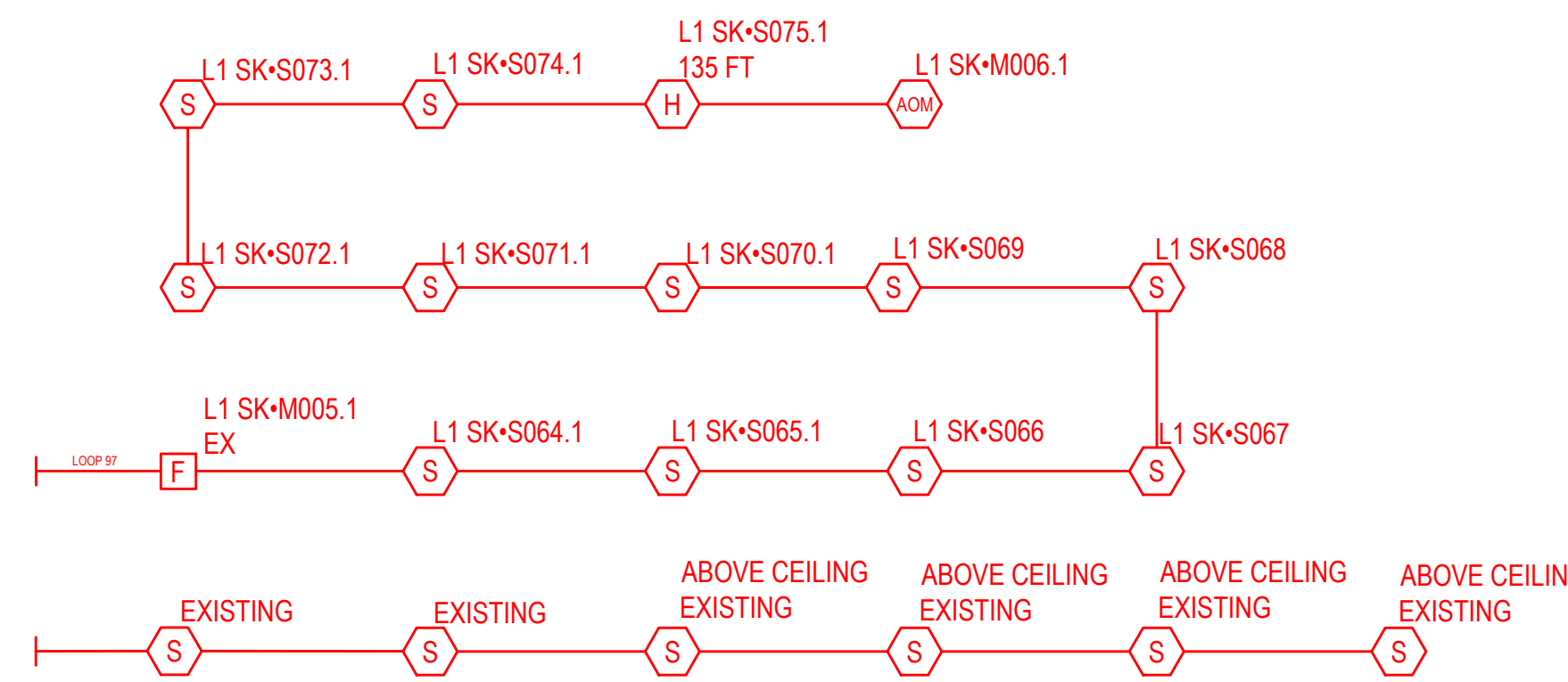
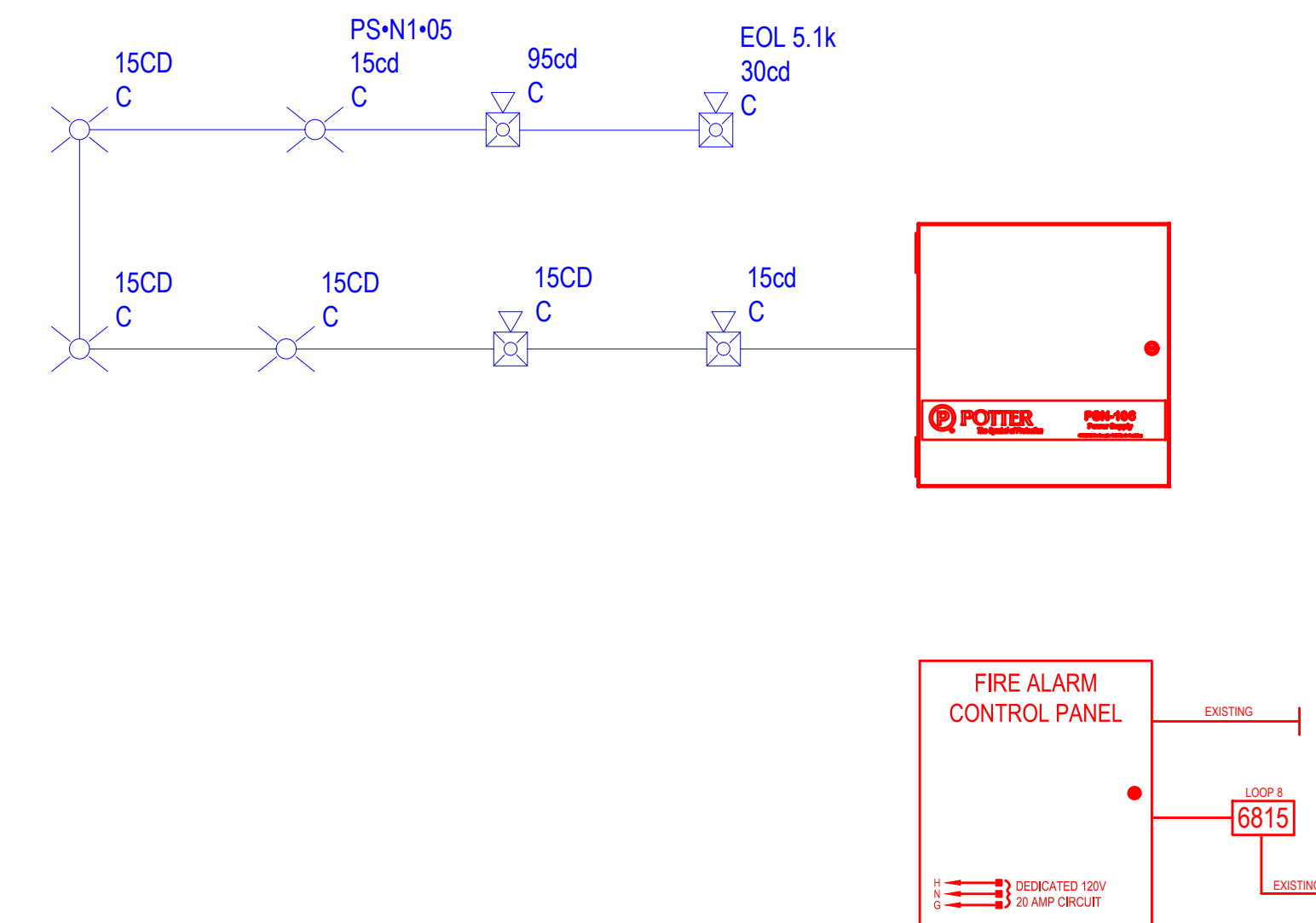
LABEL	PART NO	MANUFACTURER	APPLICATION	RESISTANCE MFT	AWG	DESCRIPTION	TOTAL LENGTH
A	162 PFLR	GENERIC	SLC	4.89	16	2 COND. SOLID COPPER PFLR ADDRESSABLE	332'
D	122 PFLR	GENERIC	NAC	1.93	12	2 COND. SOLID COPPER PFLR ANALOG UNSHIELDED	146'

City of Puyallup Fire REVIEWED FOR COMPLIANCE

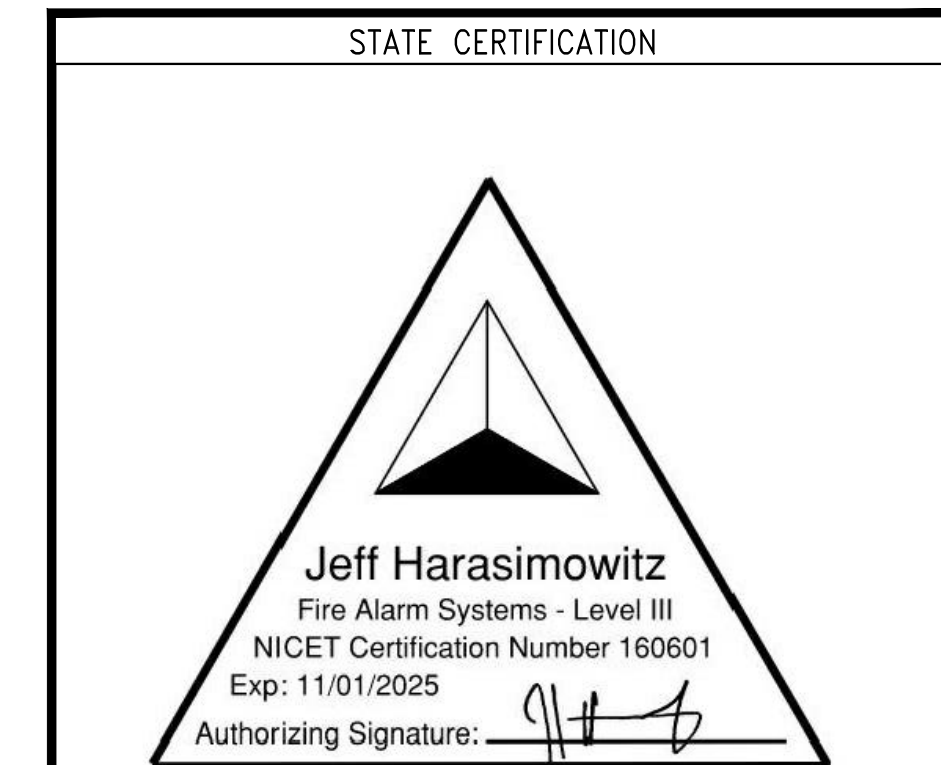
DDrake
11/14/2025
2:12:30 PM

THE APPROVED CONSTRUCTION PLANS AND ALL ENGINEERING MUST BE POSTED ON THE JOB AT ALL INSPECTIONS IN A VISIBLE AND READILY ACCESSIBLE LOCATION.

Approval of submitted plans is not an approval of omissions or oversight by this office or noncompliance with any applicable regulations of local government. The contractor is responsible for making sure that the building complies with all applicable building codes and regulations of the local government.



RISER DIAGRAM
NOT TO SCALE



NO	DATE	BY	DESCRIPTION

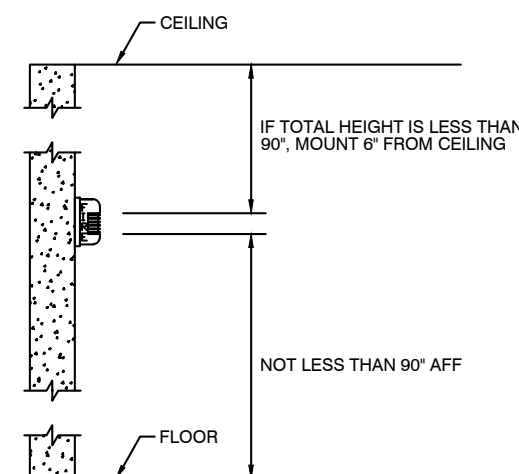
NO	DATE	BY	DESCRIPTION

CONTRACT WITH:
HAWK BUILDING LLC

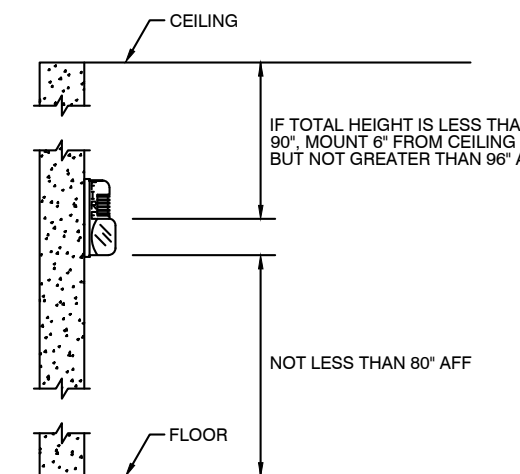
PROJECT NAME:
RIVERFRONT MR NEW OFFICE
1601 INDUSTRIAL PARKWAY
PUYALLUP, WA, 98371

PATRIOT FIRE PROTECTION, INC.
2707 70th AVE E.
TACOMA, WA 98424
TEL: (253) 532-0967
FAX: (253) 922-6150

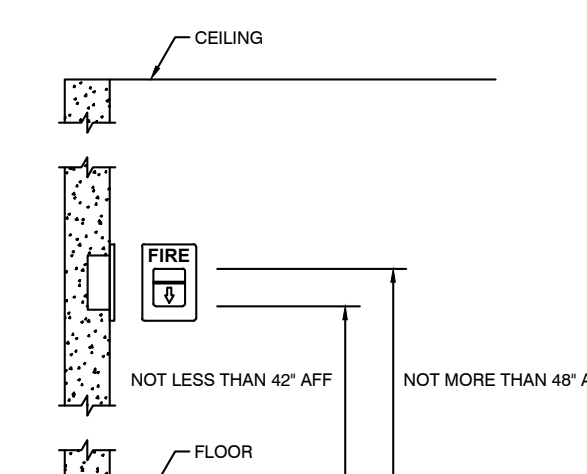
DESIGNER	ERICK E.	SHEET	FA001
DATE	11/04/2025	1 OF 3	
JOB NO.	12-24233F		



NFPA 72 2019, 18.4.8.1 WALL MOUNTED APPLIANCES SHALL HAVE THEIR TOPS ABOVE THE FINISHED FLOORS AT HEIGHTS OF NOT LESS THAN 90" AND BELOW THE FINISHED CEILINGS AT DISTANCES OF NOT LESS THAN 6".



NFPA 72 2019, 18.5.5.1 WALL MOUNTED APPLIANCES SHALL BE MOUNTED SUCH THAT THE ENTIRE LENS IS NOT LESS THAN 90" AND NOT GREATER THAN 96" ABOVE THE FINISHED FLOOR.

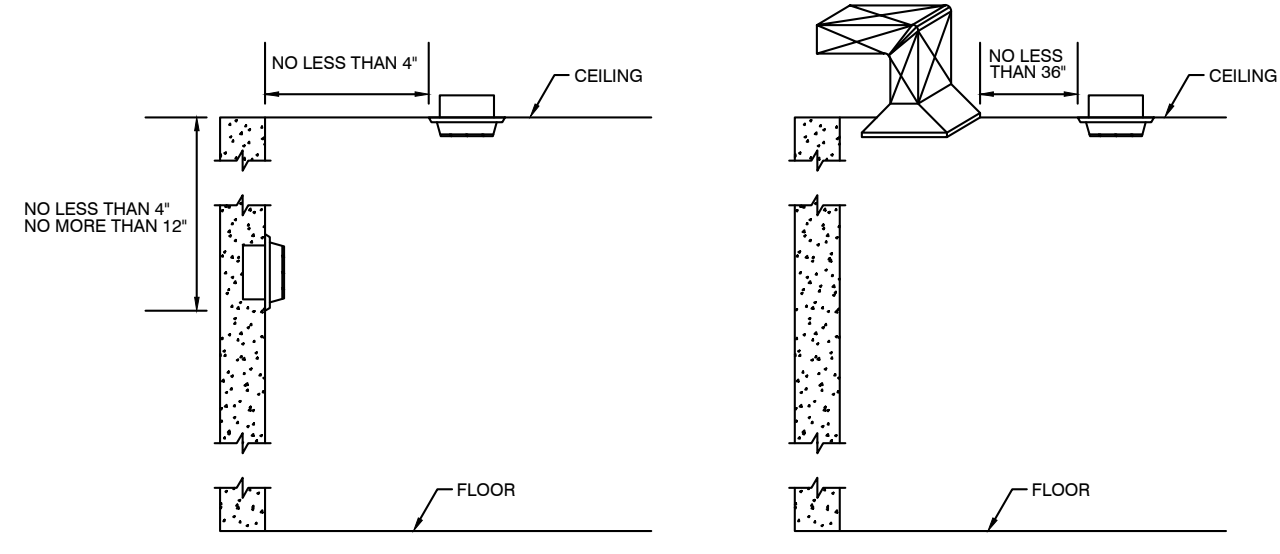


NFPA 72 2019, 17.14.5 THE OPERABLE PART OF A MANUALLY ACTIVATED ALARM INITIATING DEVICE SHALL BE NOT LESS THAN 42" AND NOT MORE THAN 48" FROM THE FINISHED FLOOR.

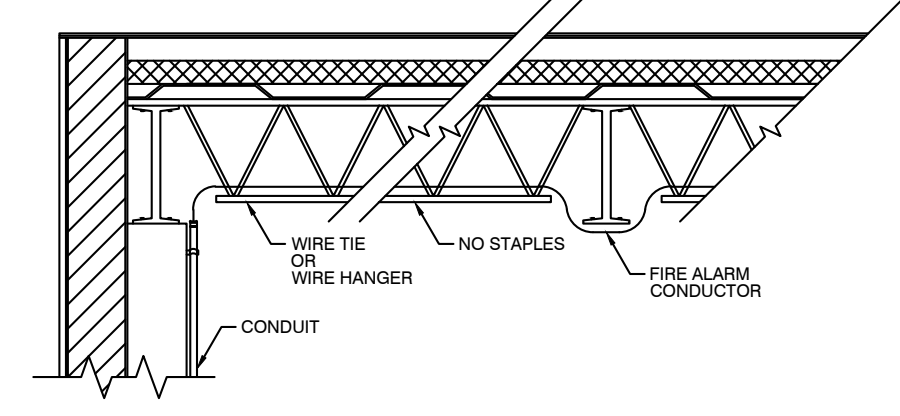
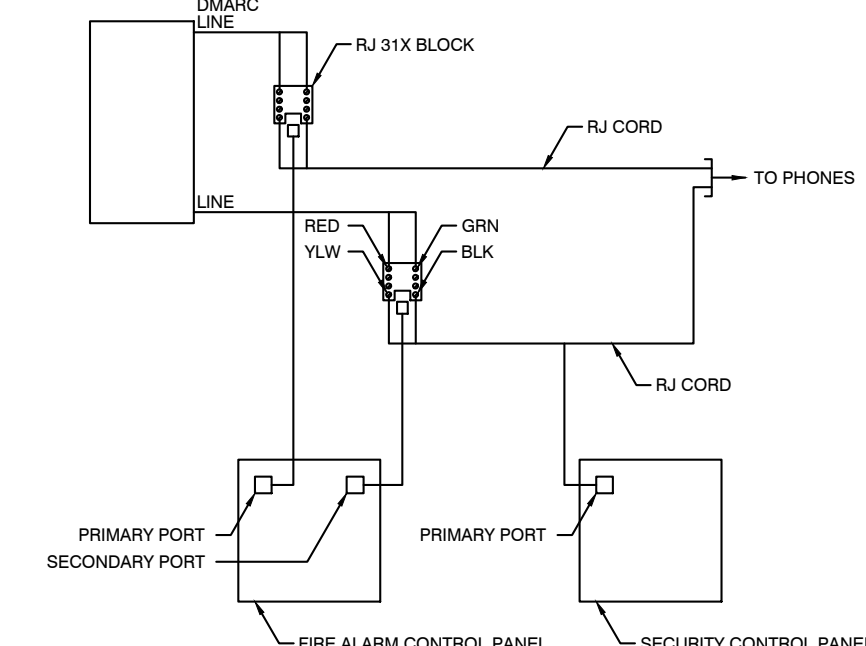
A FIRE ALARM - HORN MOUNTING

B FIRE ALARM - STROBE MOUNTING

C FIRE ALARM - PULL STATION MOUNTING



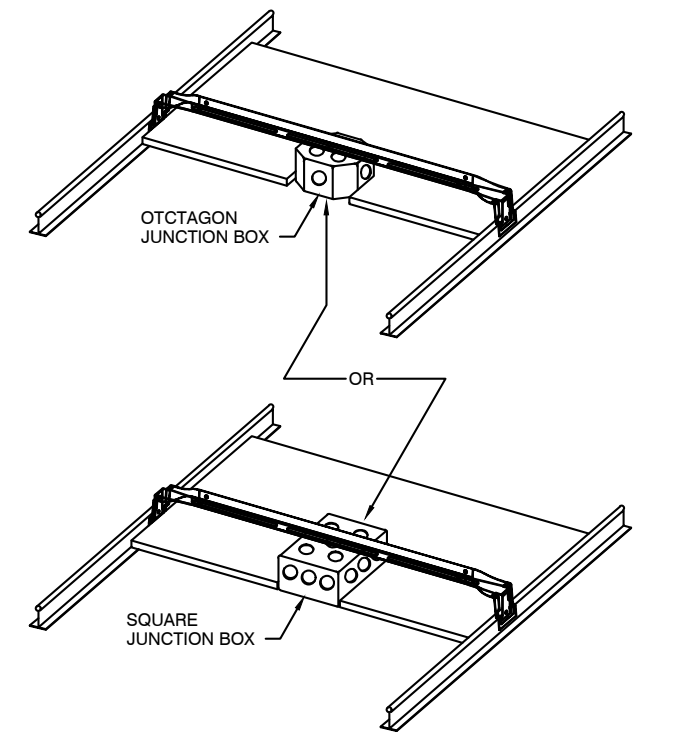
NFPA 72 2019, 17.6.3.1.3.1 DETECTORS SHALL BE LOCATED ON THE CEILING NOT LESS THAN 4" FROM THE SIDEWALL OR ON THE SIDEWALLS BETWEEN 4" AND 12" FROM THE CEILING.
NFPA 72 2019, A.17.7.4.1 DETECTORS SHALL NOT BE LOCATED IN DIRECT AIRFLOW OR CLOSER THAN 36" FROM AN AIR SUPPLY DIFFUSER OR RETURN AIR OPENING.



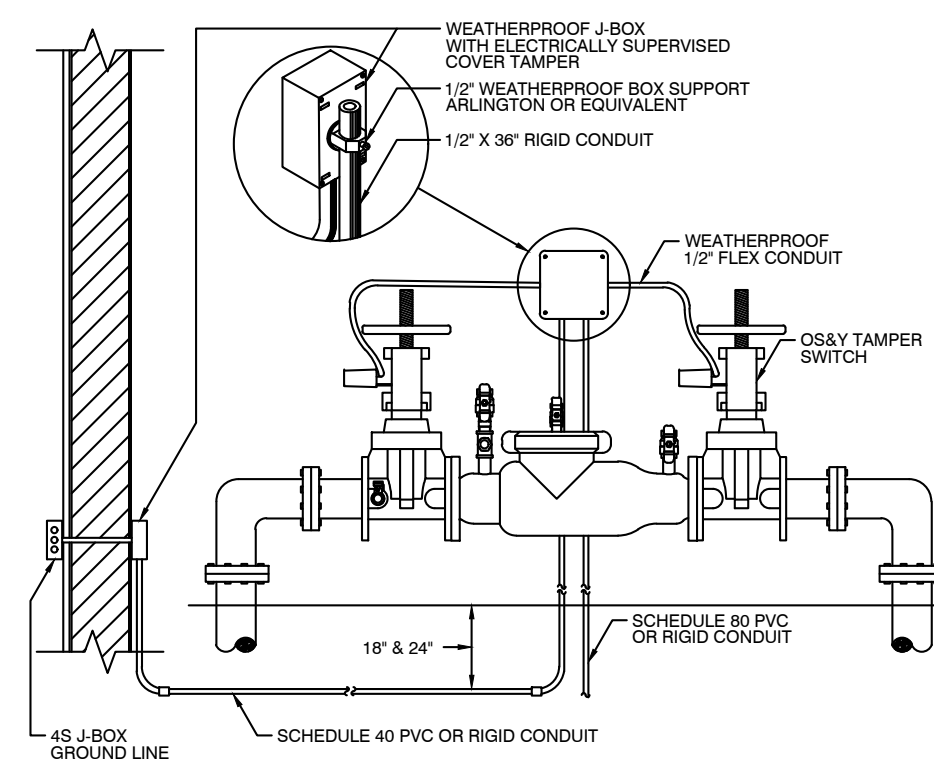
D FIRE ALARM - SMOKE & HEAT MOUNTING

E FIRE ALARM - PHONE CONNECTION

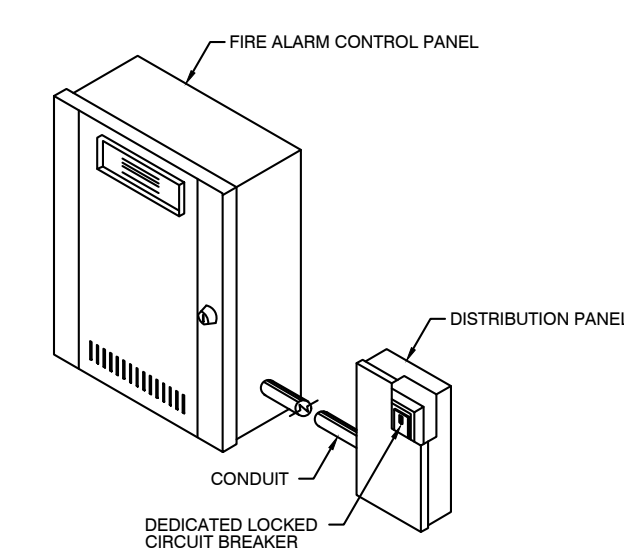
F FIRE ALARM - CEILING TO WALL TRANSITION AND OPEN WIRING



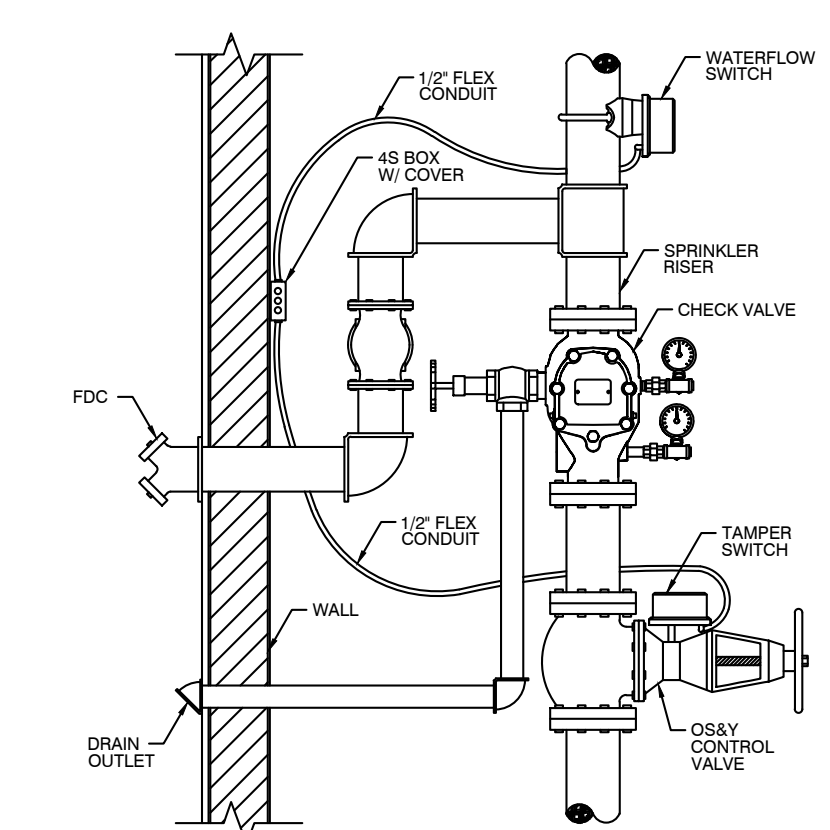
G FIRE ALARM - DROP CEILING & J BOX



H FIRE ALARM - DCVA TAMPER SWITCHES



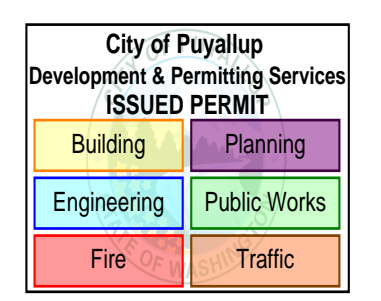
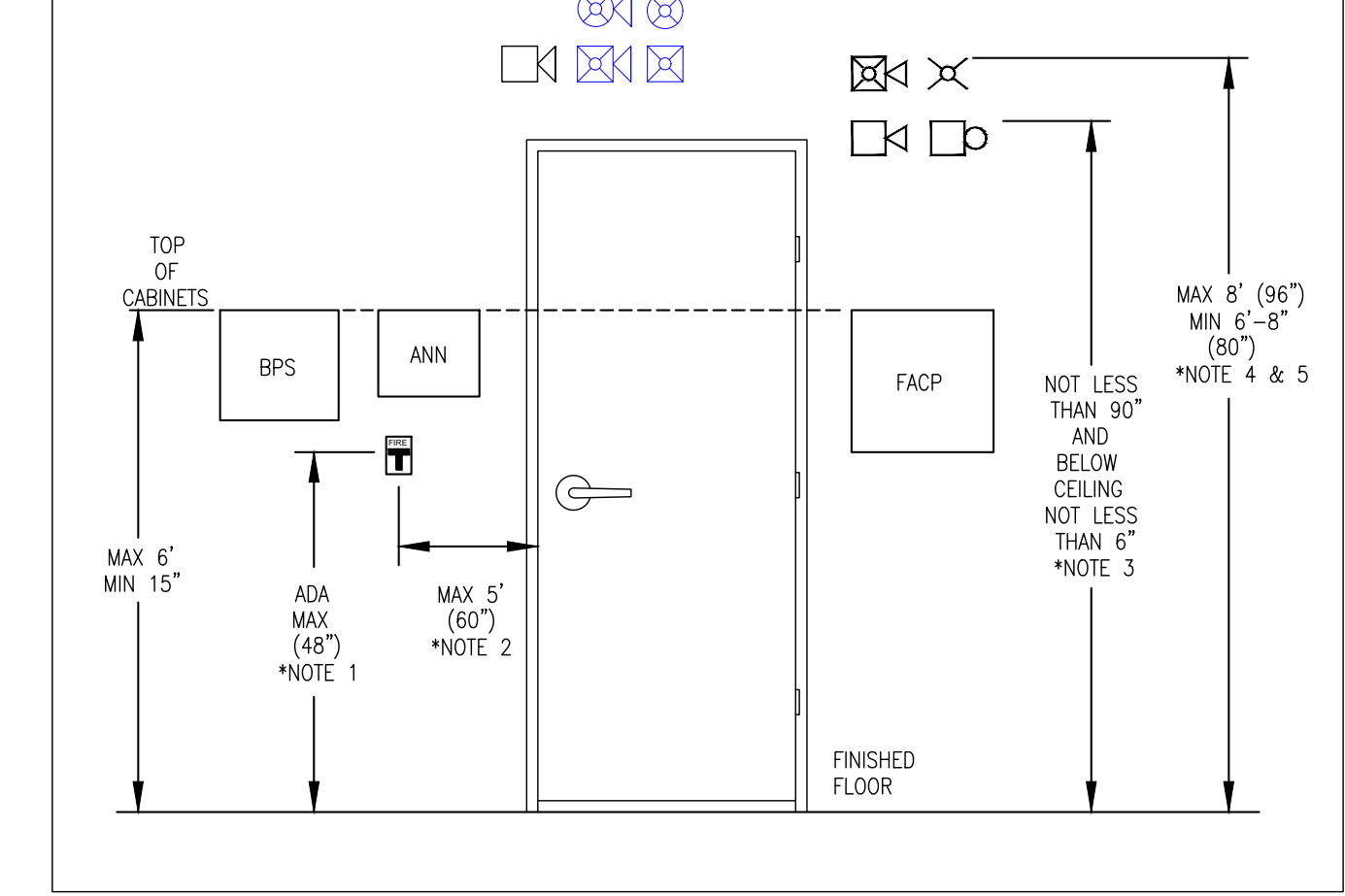
I FIRE ALARM - POWER DISCONNECT



J FIRE ALARM - OS&Y TAMPER GATE VALVE

TYPICAL MOUNTING HEIGHTS

- NFPA 72 2019 17.15.6 THE OPERABLE PART OF EACH MANUAL FIRE ALARM BOX SHALL BE NOT LESS THAN 42in AND NOT MORE THAN 48in FROM THE FINISHED FLOOR.
- NFPA 72 2019 17.15.9.4 MANUAL FIRE ALARM BOXES SHALL BE LOCATED WITHIN 5ft OF EACH EXIT DOORWAY ON EACH FLOOR.
- NFPA 72 2019 18.4.9.1 IF CEILING HEIGHTS ALLOW, AND UNLESS OTHERWISE PERMITTED BY 18.4.9.2 THROUGH 18.4.9.5, WALL-MOUNTED APPLIANCES SHALL HAVE THEIR TOPS ABOVE THE FINISHED FLOORS AT HEIGHTS OF NOT LESS THAN 90in AND BELOW THE FINISHED CEILINGS AT DISTANCES OF NOT LESS THAN 6in.
- NFPA 72 2019 18.4.9.3 IF COMBINATION AUDIBLE/ VISIBLE APPLIANCES ARE INSTALLED, THE LOCATION OF THE INSTALLED APPLIANCE SHALL BE DETERMINED BY THE REQUIREMENTS OF 18.5.5. (SEE NOTE 5).
- NFPA 72 2019 18.5.5.1 WALL-MOUNTED APPLIANCES SHALL BE MOUNTED SUCH THAT THE ENTIRE LENS IS NOT LESS THAN 80in. AND NOT GREATER THAN 96in ABOVE THE FINISHED FLOOR OR AT THE MOUNTING HEIGHT SPECIFIED USING THE PERFORMANCE BASED ALTERNATIVE OF 18.5.5.7.



STATE CERTIFICATION

Jeff Harasimowitz
Fire Alarm Systems - Level III
NICET Certification Number 160601
Exp: 11/01/2025
Authorizing Signature: *[Signature]*

SHEET INDEX	DESCRIPTION	REVISIONS		
		NO	DATE	DESCRIPTION
FA001	GENERAL SHEET			
FA101	DEVICE LOCATIONS AND CALCULATIONS			
FA102	PRODUCT TYPICALS			

NO	DATE	BY	DESCRIPTION

CONTRACT WITH:
HAWK BUILDING LLC

PROJECT NAME:
RIVERFRONT MR NEW OFFICE
1601 INDUSTRIAL PARKWAY
PUYALLUP, WA, 98371

PATRIOT FIRE PROTECTION, INC.
2707 70th AVE E.
TACOMA, WA 98424
TEL: (253) 532-0967
FAX: (253) 922-6150
WWW.PATRIOTFIRE.COM
Erick.Escobedo@patriotfire.com

DESIGNER	ERICK E.	SHEET	3 OF 3	FA-102
DATE	11/04/2025			
JOB NO.	12-24233F			